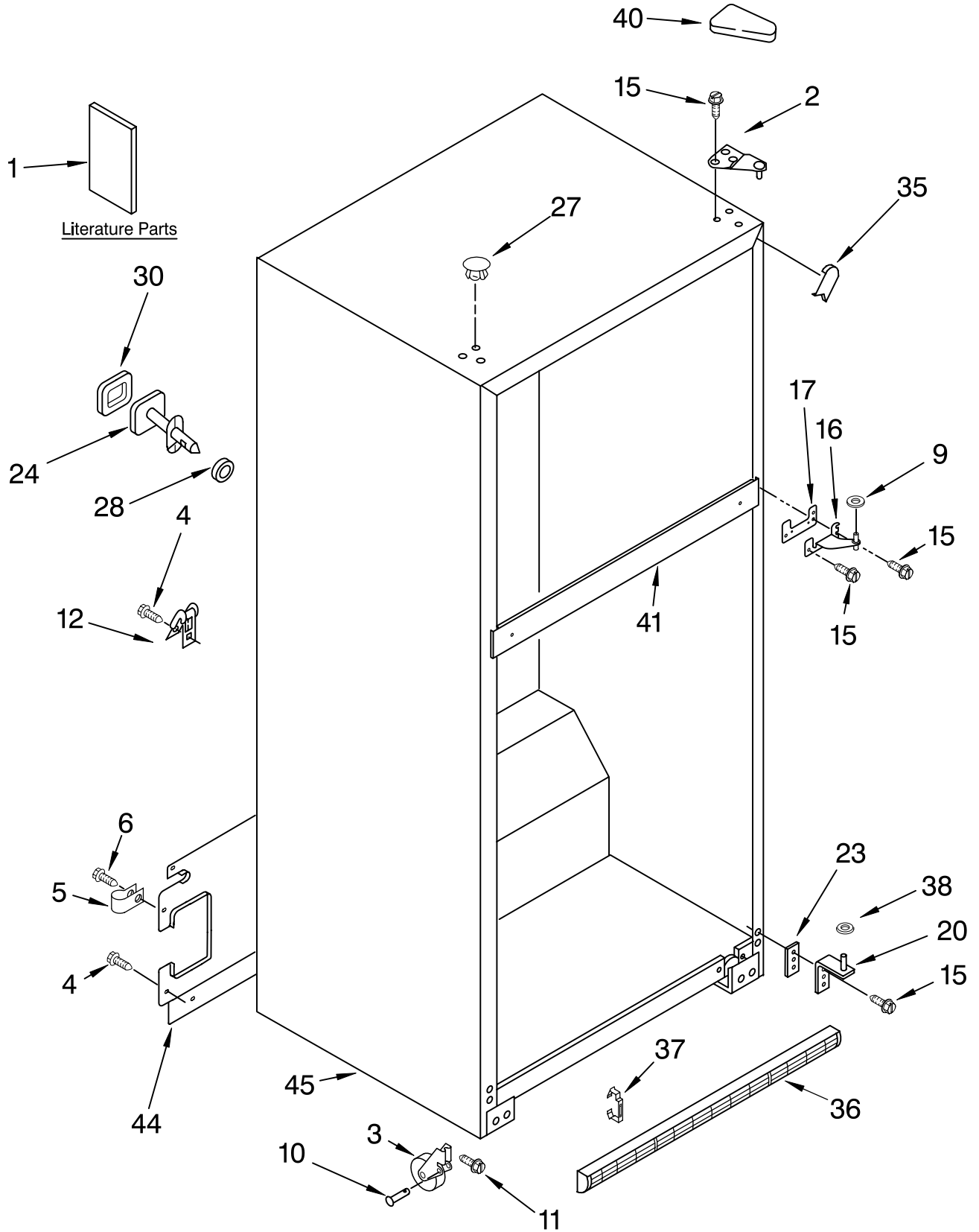




CABINET PARTS

For Models: ER2MHKXPL01
(Stainless-VCM)

REFRIGERATOR



FOR ORDERING INFORMATION REFER TO PARTS PRICE LIST

CABINET PARTS

For Models: ER2MHKXPL01

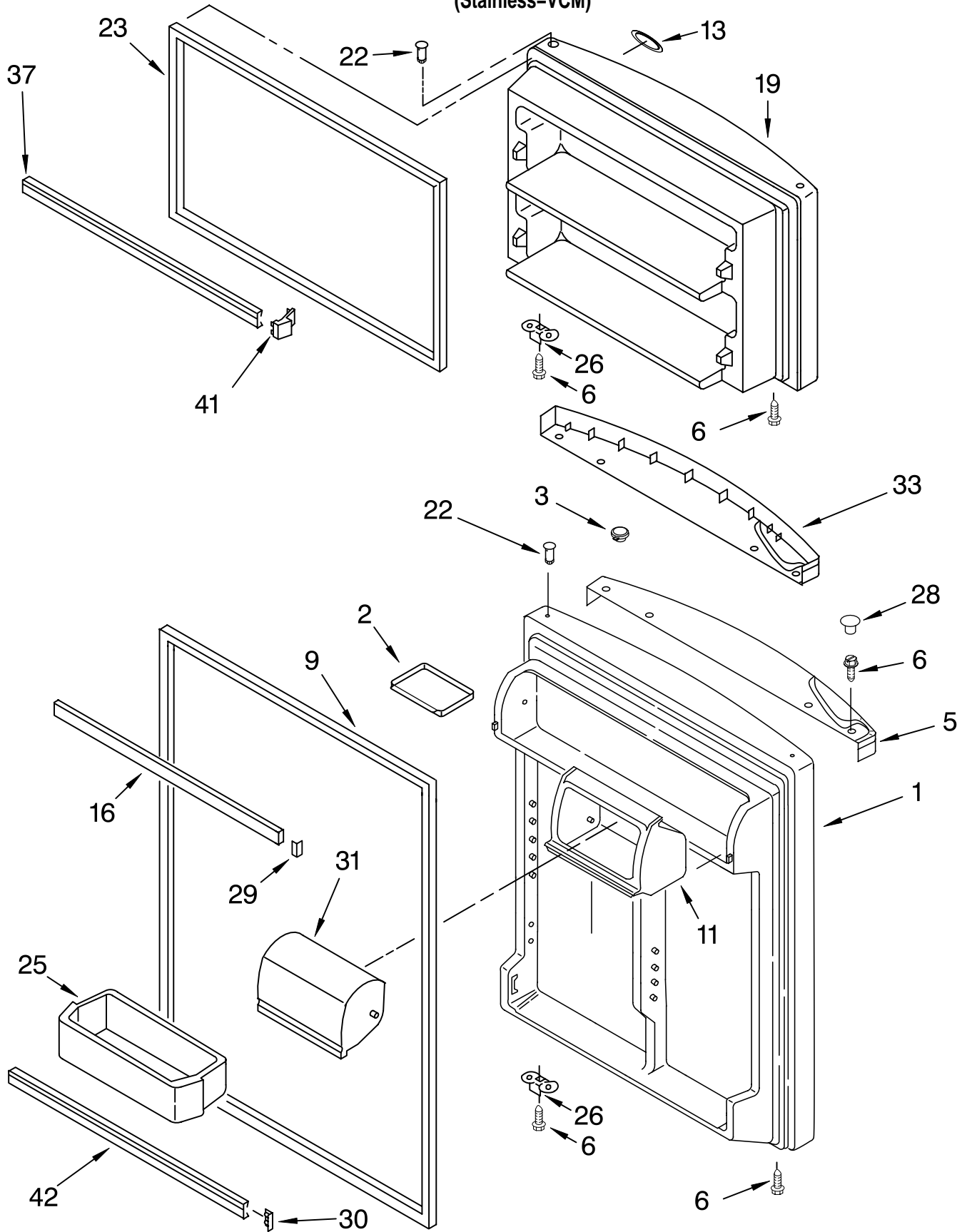
(Stainless-VCM)

Illus. No.	Part No.	DESCRIPTION	Illus. No.	Part No.	DESCRIPTION	Illus. No.	Part No.	DESCRIPTION
1		Literature Parts	5	489385	Clamp, Tube (Water Supply Line)	28		Seal, Front (Not Serviced)
	2225759	Service & Wiring Sheet	6	8281265	Screw	30		Seal, Rear (Not Serviced)
	2302166	Energy Label	9	489341	Washer	35		Corner Filler (2)
	2302037	Use & Care Guide	10	2179826	Rivet		2201017	Black
	2225413	Customer Instructions	11	3400504	Screw	36		Grille
Following May Be Purchased			12	549193	Clamp, Cord		2254315	Black
<u>DO-IT-YOURSELF</u>			15	489497	Screw	37	2189356	Clip, Grille
<u>REPAIR MANUALS</u>			16	2183972	Hinge, Center	38	487576	Washer
	677969	Do-It-Yourself Manual, Ref./Fzr.	17	2183854	Shim, Hinge Center	40		Cover, Hinge
2	2189410	Hinge (Top)	20	2254473	Hinge Butt		2213363	Black
3	2166108	Roller, Front (2)	23	2172743	Shim, Bottom Hinge	41		Rail, Center (Not Serviced)
4	489464	Screw, 8-18 x 1/2	24		Fitting, Water Tube (Not Serviced)	44	2302358	Cover, Unit
			27		Hole Plug (6)	45		Cabinet (Not a Serviceable Part)
				2183998	Black			

FOR ORDERING INFORMATION REFER TO PARTS PRICE LIST

DOOR PARTS

For Models: ER2MHKXPL01
(Stainless-VCM)



FOR ORDERING INFORMATION REFER TO PARTS PRICE LIST

DOOR PARTS

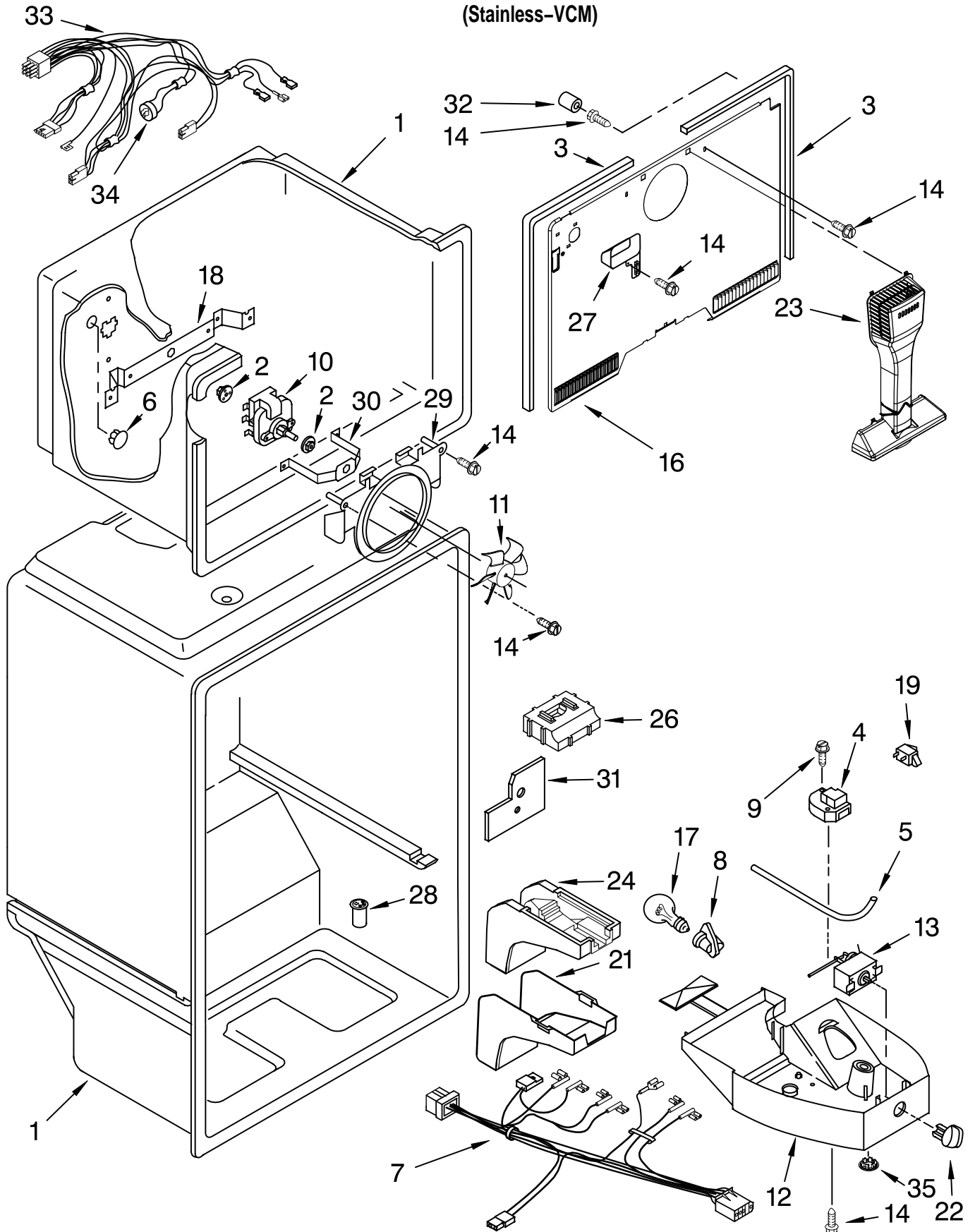
For Models: ER2MHKXPL01
(Stainless-VCM)

Illus. No.	Part No.	DESCRIPTION	Illus. No.	Part No.	DESCRIPTION	Illus. No.	Part No.	DESCRIPTION
1		Refrigerator Door (Includes #9 & #22)	13	2262218	Nameplate	28		Hole Plug
	2218505	Stainless-VCM	16	2159306	Trim, Door Shelf		2212651	Black
2	2195388	Tray, Door	19		Freezer Door (Includes #22 & #23)	29	2177340	Plug, Trim
3	2204840	Hole Plug, Endcap		2218508	Stainless-VCM	30	2156006	Plug, Trim
5		Endcap Handle (RC)	22	2183003	Thimble	31	2218109	Compartment Door
	2221644	Black	23	2214969	Door Gasket, Magnetic	33		Endcap Handle (FC)
6	489276	Screw					2225108	Black
9	2202882	Door Gasket, Magnetic	25	2204813	Bin, Door Shelf	37	2195947	Trim, Door (2)
			26	2189202	Bracket, Door Stop (2)	41	2195916	Endcap, Trim (4)
11	2210566	Housing Compartment				42	2195948	Trim, Door

FOR ORDERING INFORMATION REFER TO PARTS PRICE LIST

LINER PARTS

For Models: ER2MHKXPL01
(Stainless-VCM)



FOR ORDERING INFORMATION REFER TO PARTS PRICE LIST

LINER PARTS

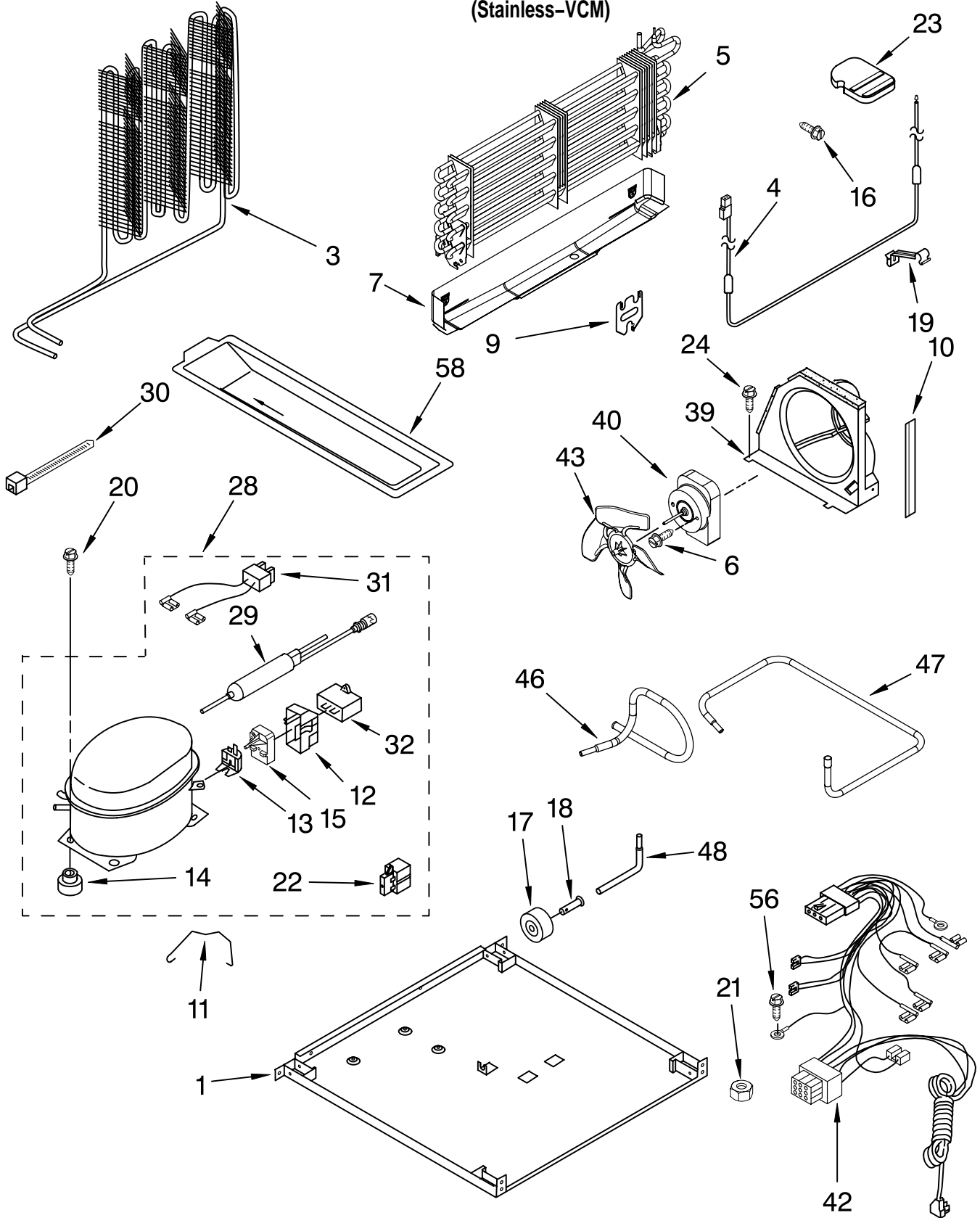
For Models: ER2MHKXPL01
(Stainless-VCM)

Illus. No.	Part No.	DESCRIPTION
1		Liner (Not a Serviceable Part)
2	2197380	Grommet (2)
3	2254360	Gasket, Evaporator Cover (2)
4	2188376	Defrost Timer
5	2204640	Thermostat, Tube Barrier
6	941839	Hole Plug
7	2187885	Wire Assembly Control Box
8	2162085	Socket, Light (2)
9	98129	Screw (2)
10	2214986	Fan Motor
11	2163777	Fan Blade
12	2218381	Control Box
13	2225460	Thermostat Assy. (Includes Item 5)
14	489478	Screw
16	2254263	Cover, Evaporator
17	2160708	Light Bulb
18	2214976	Bracket Evap. Fan, Rear
19	1118894	Switch, Rocker Arm
21	2176281	Cover, Air Diffuser
22	2202885	Knob, Thermostat
23	2254354	Air Tower
24	2189452	Air Diffuser, Bottom
26	2204690	Air Diffuser, Top
27	2205003	Cover, Hole
28	2171931	Valve-Tube, Body
29	2218696	Bracket, Fan Motor
30	2214979	Bracket Evap. Fan, Front
31	2204639	Shield, Heat
32	487996	Cap
33	2187690	Wire Assembly Freezer Compartment (Includes Item 34)
34	2221677	Defrost, BI-Metal
35	940014	Hole Plug, Control Box

FOR ORDERING INFORMATION REFER TO PARTS PRICE LIST

UNIT PARTS

For Models: ER2MHKXPL01
(Stainless-VCM)



FOR ORDERING INFORMATION REFER TO PARTS PRICE LIST

UNIT PARTS

For Models: ER2MHKXPL01

(Stainless-VCM)

Illus. No.	Part No.	DESCRIPTION
1	2225596	Plate, Unit Mounting
3	2214960	Condenser
4	2166124	Heater, Defrost
5	2254249	Evaporator Assy.
6	8533859	Screw
7	2254295	Drain Pan
9	2176301	Bracket, Heater
10	2300638	Extension, Air Baffle
11	2255113	Strap
12	4387731	Cover (Service Only)
13	4390624	Overload (Service Only)
14		Grommet (4)
	1100826	Production
	4387558	Service
15	2225785	Start-Device Combination (Start Relay and Overload for Production Compressor Only)
16	489478	Screw
17	2150304	Roller (2)
18	2221797	Rivet
19	2182338	Clip, Heater
20	489373	Screw

Illus. No.	Part No.	DESCRIPTION
21		Nut (Not Serviced)
22	2183454	Relay (Service Only)
23	2201185	Support Block
24	3400518	Screw
28	2225833	Compressor (Includes Items 12,13,14,22,29, 31 & 32)
29		Drier
	2199167	Production
	4387019	Service
30	2155774	Clamp
31	4387765	Wire Assembly (Service Only)
32		Capacitor
	2169373	Production
	1118576	Service
39	2302249	Air Baffle
40	2188874	Motor, Condenser
42	2187382	Wire Assy, Unit
43	2225834	Fan Blade
46	2225564	Tube, Discharge
47	2225565	Tube, Suction
48	2154109	Tube, Process

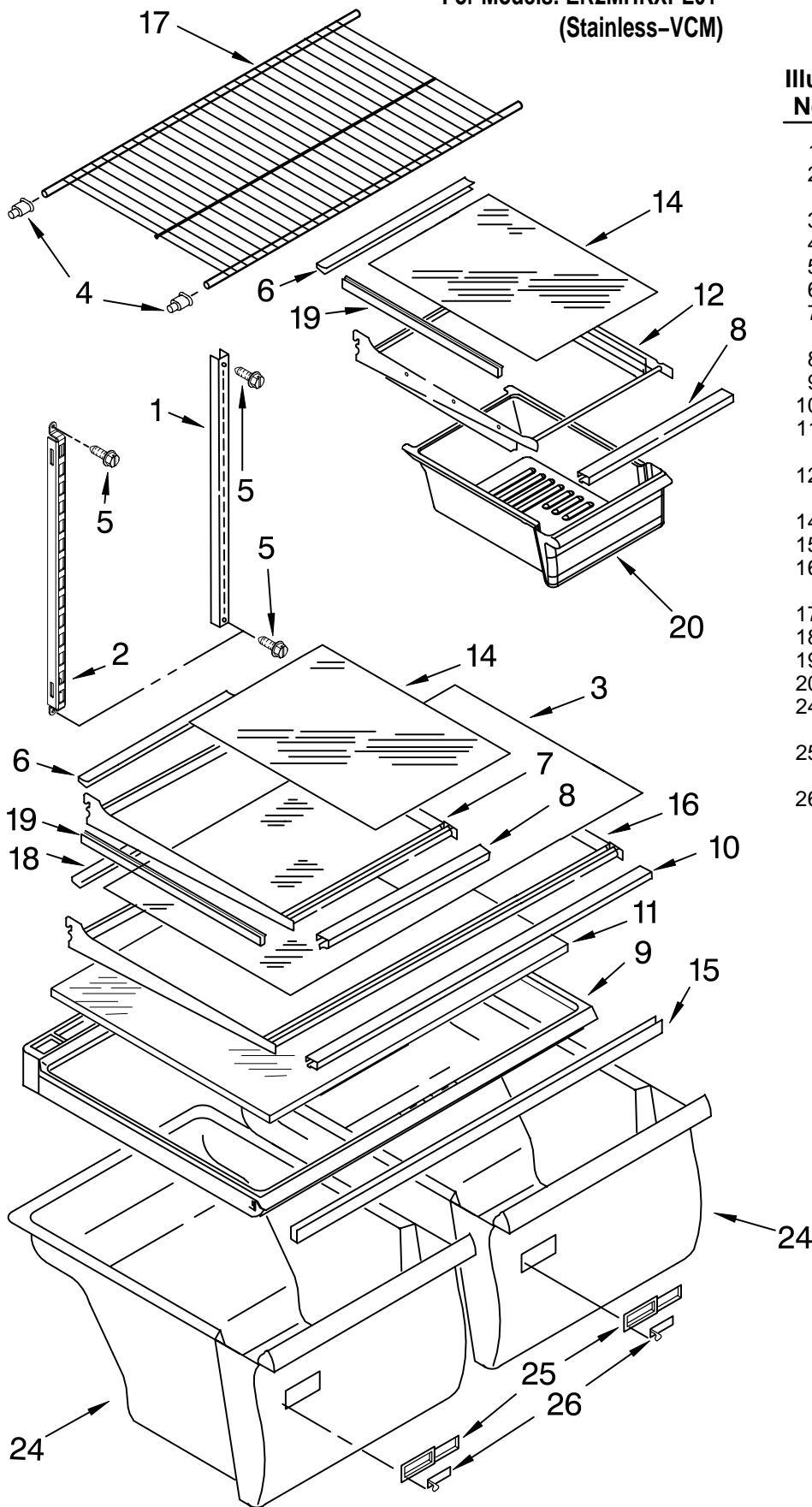
Illus. No.	Part No.	DESCRIPTION
56	488500	Screw
58	2300635	Tray, Evaporator
<hr/> Following Parts Not Illustrated and Optional Parts Not Included <hr/>		
	978025	Valve, Access (1/4")
	978026	Valve, Access (5/16")
	978027	Valve, Access (3/8")
	978028	Valve, Access (1/2")
	978029	Valve, Access (5/8")
	978030	Valve, Access (3/4")
	876764	Valve, Access (3/16")
<hr/> REFRIGERANT CHARGE <hr/>		
4.00 Ozs. (R134A)		



FOR ORDERING INFORMATION REFER TO PARTS PRICE LIST

SHELF PARTS

For Models: ER2MHKXPL01
(Stainless-VCM)



Illus. No.	Part No.	DESCRIPTION
1	2210522	Shelf, Ladder (2)
2	2300520	Shelf, Ladder Center
3	2200988	Glass, Full Shelf
4	2163762	Cup, Shelf Mtg.
5	489478	Screw
6	2188687	Trim Shelf, Rear
7	2201102E	Shelf, Cantilever
8	2188685	Trim, Shelf Front
9	2210526	Crisper Cover
10	2188691	Trim Shelf, Front
11	2210573	Insert, Crisper Cover
12	2201106	Pan Shelf, Cantilever
14	2200987	Glass, Shelf
15	2163832	Crisper Support
16	2201104E	Shelf, Full Cantilever
17	2189454	Shelf, Freezer
18	2188689	Trim, Shelf Rear
19	2188711	Trim Shelf, Side
20	2218132K	Pan, Meat
24	2218141	Crisper Pan (Includes 25 & 26)
25	2212446	Body, Humidity Control
26	2176222	Slide, Humidity Control

FOR ORDERING INFORMATION REFER TO PARTS PRICE LIST

OPTIONAL PARTS

For Models: ER2MHKXPL01

(Stainless-VCM)

Illus. No.	Part No.	DESCRIPTION
------------	----------	-------------

Parts Not Illustrated and
Optional Parts (Not Included)

978941		Insulation, Fiberglass (63-1/2" x 35-1/2" x 2-5/8")
212643		Sealer, Gum (4 Feet)
479502		Tape, Vinyl (3/4" x 108")
876305		Kit, Insulation (14 Pcs. 3" x 24" x 48")
876370		Kit, Insulation (2 Pcs. 3" x 24" x 48")
876029		Kit, Foam Slab (30" x 32-1/2" x 1-1/2")
505587		Sealer, Mastic (1 Qt.)
511873		Touch-Up, White Porcelain (2 Oz.)
542638		Grease, Silicone (1/2 Oz.)
542639		Cement, Alumilastic (1-1/4 Oz.)
606755		Bag, Insulation (36-5/8" x 46")
799833		Kit, Evaporator Repair (Aluminum Epoxy)
799832		Kit, Porcelain Repair (White)
503695		Cork Sealer (1/4 Pound)

Illus. No.	Part No.	DESCRIPTION
------------	----------	-------------

Customer Touch-Up Material

*350942		Primer, White (12 Oz. Spray Can)
*350939		Enamel, Black (12 Oz. Spray Can)
*350930		Enamel, White (12 Oz. Spray Can)
*4392901		Enamel, Biscuit (12 Oz. Spray Can)
72017		Brush Touch-Up Kit (White)
72032		Brush Touch-Up Kit (Black)
4392899		Brush Touch-Up Kit (Biscuit)

Illus. No.	Part No.	DESCRIPTION
------------	----------	-------------

Refinishing Material

799340		Enamel, Black (1 Qt. Uncut)
799344		Enamel, White (1 Qt. Uncut)
4392900		Enamel, Biscuit (1 Qt. Uncut)
833938		Kit, Terminal Connector

***Important:** The spray paint is not to be used where the paint may make contact with the door gaskets.

ICE MAKER FIELD INSTALLABLE

2155469 ECKMF94

TORX SCREW WRENCH

1117510 Torx Key