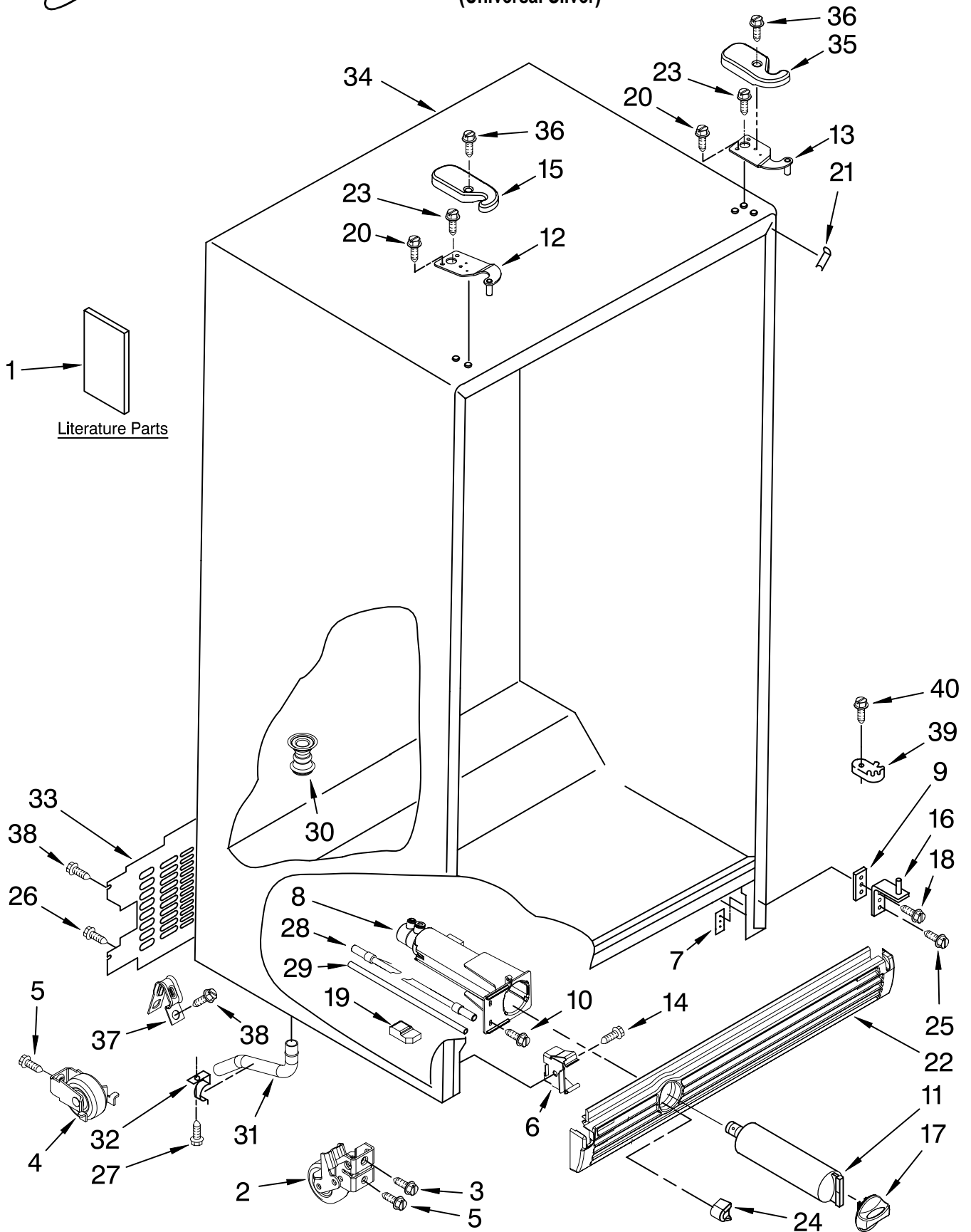




CABINET PARTS

For Models: ED5LHEXTD00
(Universal Silver)

REFRIGERATOR



FOR ORDERING INFORMATION REFER TO PARTS PRICE LIST

CABINET PARTS

For Models: ED5LHEXTD00

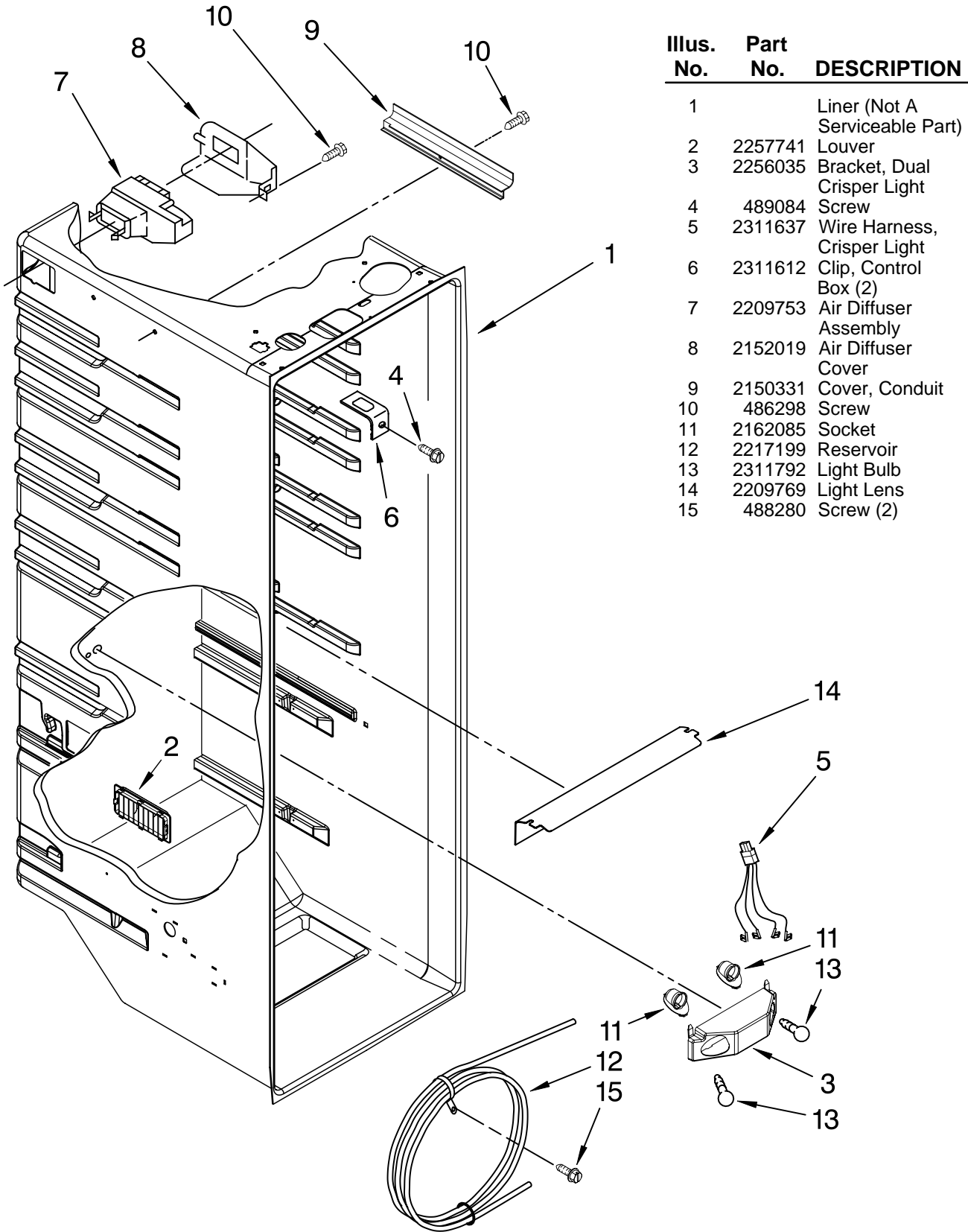
(Universal Silver)

Illus. No.	Part No.	DESCRIPTION	Illus. No.	Part No.	DESCRIPTION	Illus. No.	Part No.	DESCRIPTION
1		Literature Parts	13	2203771	Hinge, Top (RC)	25	3400103	Screw (2)
	2309541	Use & Care Guide	14	488500	Screw	26	489290	Screw
	2311815	Service & Wiring Sheet	15		Hinge Cover	27	489464	Screw
				2203407B	Black	28	2319867	Tube, Filter Inlet
	2325842	Energy Label	16	2217075	Hinge Bottom (2)	29	2304708	Tube, Filter Outlet
	2261037	Instruction Sheet, Door Removal	17		Cap, Water Filter	30	2304888	Drain Fitting
	628370	Modular Icemaker Service Sheet		2260518B	Black	31	1108438	Extension Tube
2	2174748	Front Roller (2)	18	3400113	Screw (4)	32	1108439	Clip, Drain Tube
3	3400517	Screw	19	2260519	Block, Housing Support	33	2252035	Cover, Unit
4	2196236	Roller (Rear) (2)	20	3400858	Screw	34		Cabinet (Not A Serviceable Part)
5	489427	Screw	21		Filler, Wrapper	35		Hinge Cover
6	2155013	Clip, Grille		2201017	Black		2203408B	Black
7	2304249	Screw Plate (2)	22		Grille	36	8281227	Screw
8	2260507	Housing, Water Filter		2260500B	Black	37	549193	Clamp, Service Cord
9	2209697	Shim (2)	23	489497	Screw	38	489084	Screw
10	489500	Screw (2)	24		Button, Water Filter	39	2155311	Door Closer, Lower Cam (2)
11	4396841	Water Filter		2260503B	Black	40	489483	Screw (2)
12	2203770	Hinge Top (FC)						

FOR ORDERING INFORMATION REFER TO PARTS PRICE LIST

REFRIGERATOR LINER PARTS

For Models: ED5LHEXTD00
(Universal Silver)

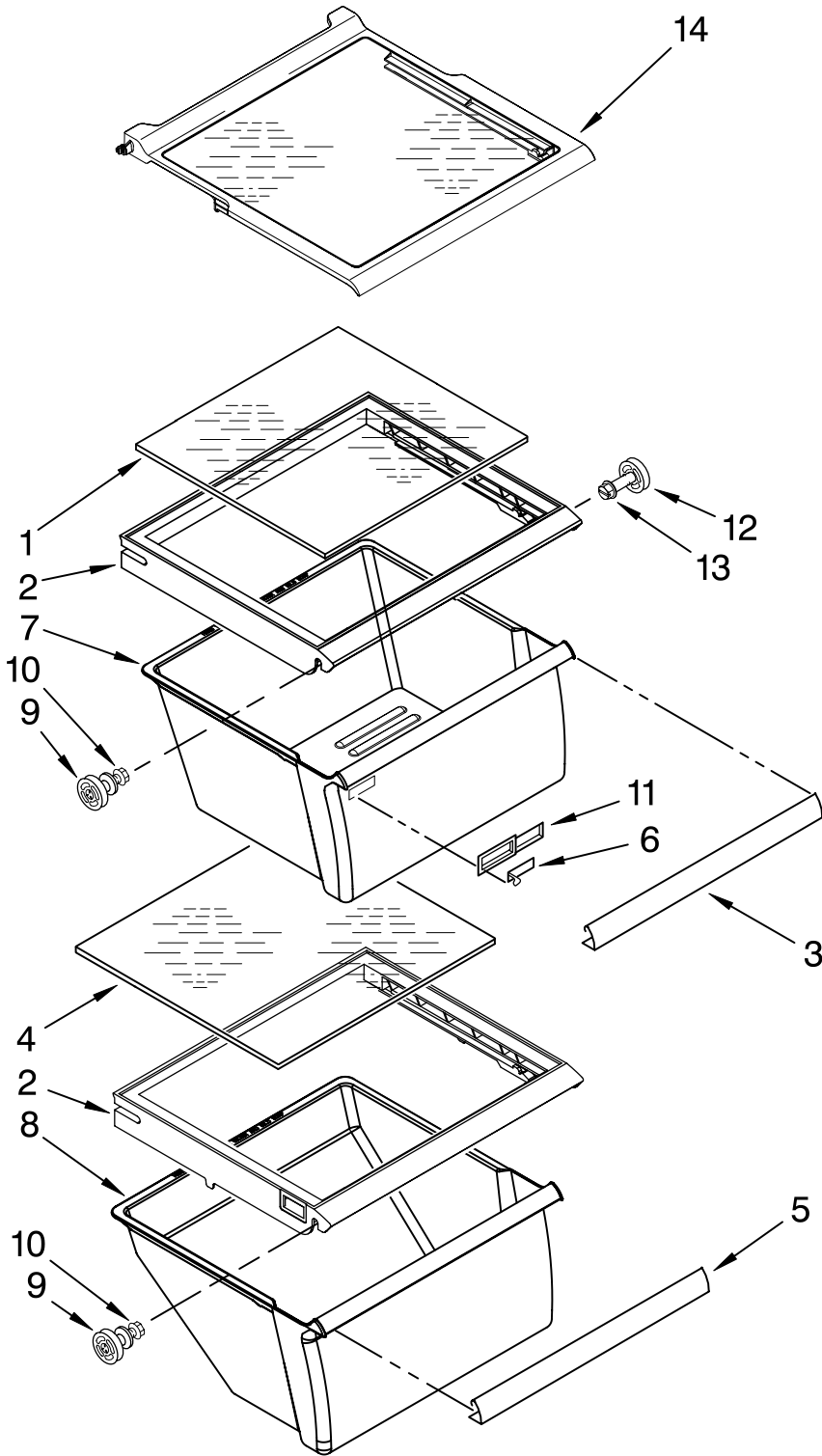


Illus. No.	Part No.	DESCRIPTION
1		Liner (Not A Serviceable Part)
2	2257741	Louver
3	2256035	Bracket, Dual Crisper Light
4	489084	Screw
5	2311637	Wire Harness, Crisper Light
6	2311612	Clip, Control Box (2)
7	2209753	Air Diffuser Assembly
8	2152019	Air Diffuser Cover
9	2150331	Cover, Conduit
10	486298	Screw
11	2162085	Socket
12	2217199	Reservoir
13	2311792	Light Bulb
14	2209769	Light Lens
15	488280	Screw (2)

FOR ORDERING INFORMATION REFER TO PARTS PRICE LIST

REFRIGERATOR SHELF PARTS

For Models: ED5LHEXTD00
(Universal Silver)



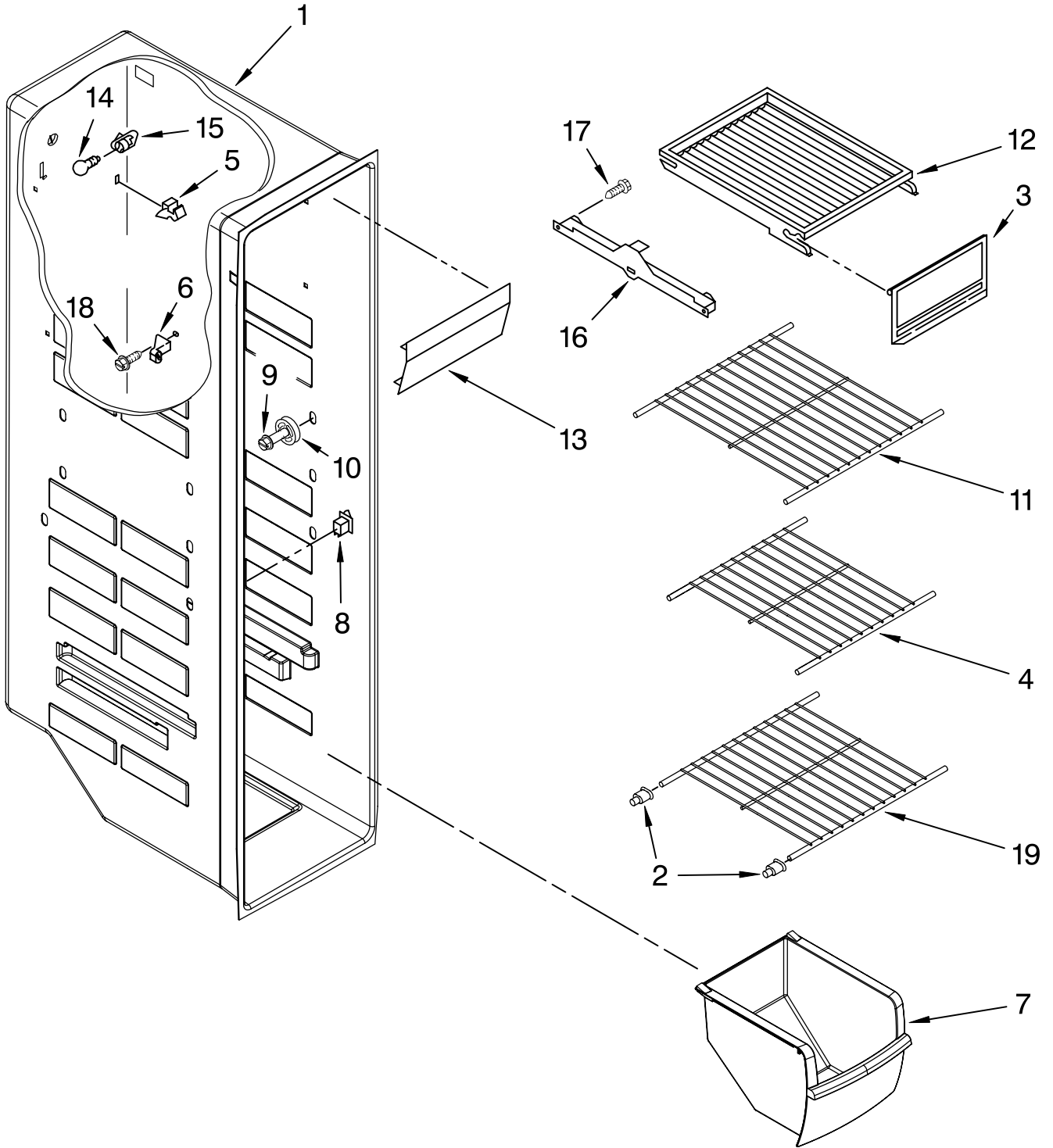
Illus. No.	Part No.	DESCRIPTION
1	2311980	Glass, Cover
2	2209698	Cover, Crisper
3	2255593	Trim, Pan
4	2179259	Glass, Cover
5	2179234	Trim, Meat Pan
6	2179342	Slide, Humidity Control
7	2188652	Crisper Pan
8	2188654	Meat Pan
9	2196485	Stud Assembly
10	3400894	Screw
11	2179343	Housing, Humidity Control
12	2196483	Stud Assembly
13	8281158	Screw
14	2309561	Shelf Assembly, Spillguard

FOR ORDERING INFORMATION REFER TO PARTS PRICE LIST

FREEZER LINER PARTS

For Models: ED5LHEXTD00

(Universal Silver)



FOR ORDERING INFORMATION REFER TO PARTS PRICE LIST

FREEZER LINER PARTS

For Models: ED5LHEXTD00

(Universal Silver)

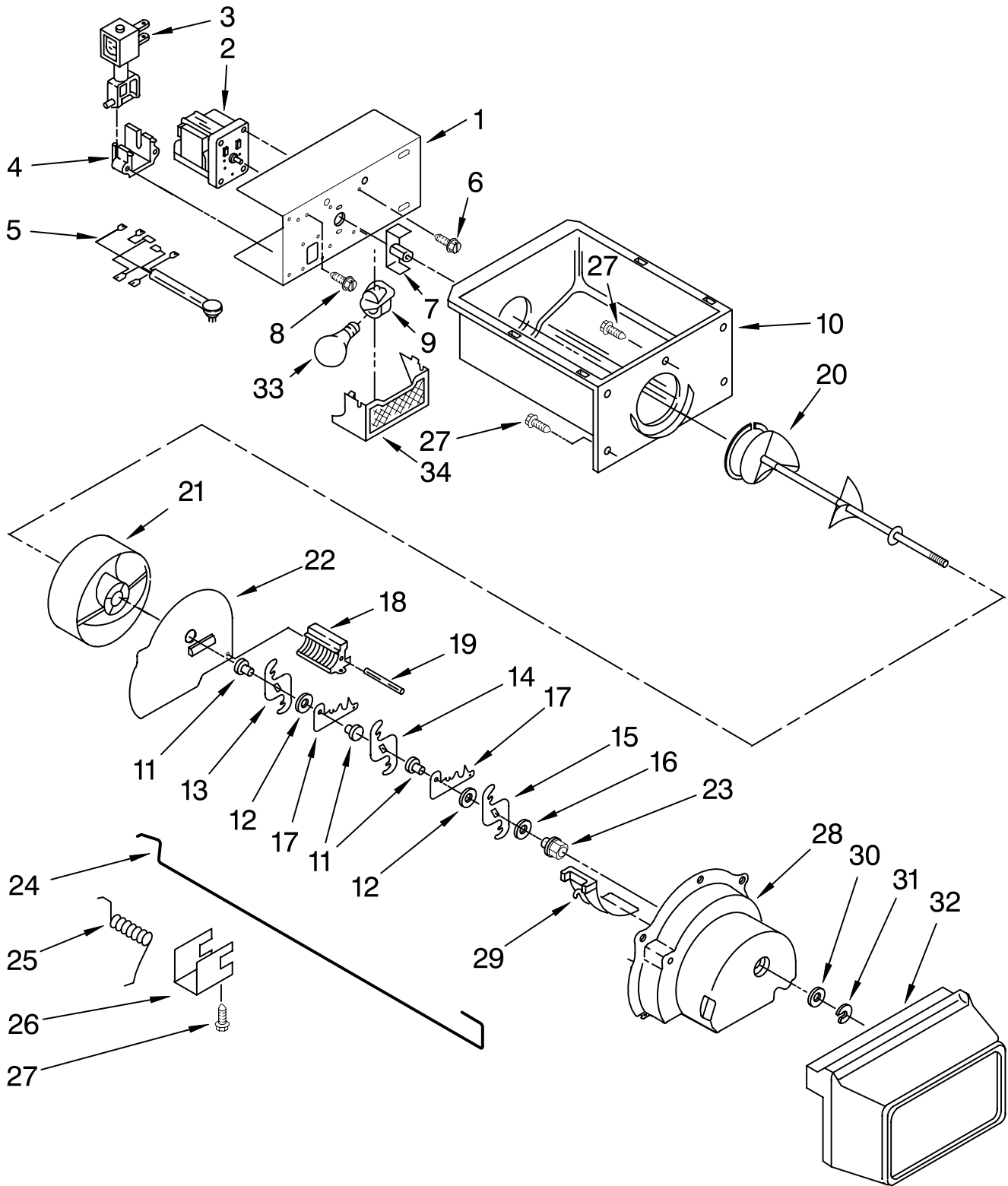
Illus. No.	Part No.	DESCRIPTION
1		Liner (Not A Seviceable Part)
2	2163762	Cup, Shelf Mounting (12)
3	2171713	Door, Ice Compartment
4	2309597	Shelf, Wire
5	842534	Clip, Air Duct (2)
6	2196206	Support, Stud (4)
7	2309757	Freezer Bin
8	1115373	Switch, Rocker Arm
9	8281158	Screw (4)
10	2196483	Stud Assembly (4)
11	2309596	Shelf, Wire
12	2171714	Shelf, Top Compartment
13	2171705	Light Lens
14	2311792	Light Bulb
15	2162085	Light Socket
16		Slide, Container
	1119237	Left Side
	1119293	Right Side
17	489100	Screw (4)
18	3400893	Screw
19	2309522	Shelf, Wire

FOR ORDERING INFORMATION REFER TO PARTS PRICE LIST

MOTOR AND ICE CONTAINER PARTS

For Models: ED5LHEXTD00

(Universal Silver)



FOR ORDERING INFORMATION REFER TO PARTS PRICE LIST

MOTOR AND ICE CONTAINER PARTS

For Models: ED5LHEXTD00

(Universal Silver)

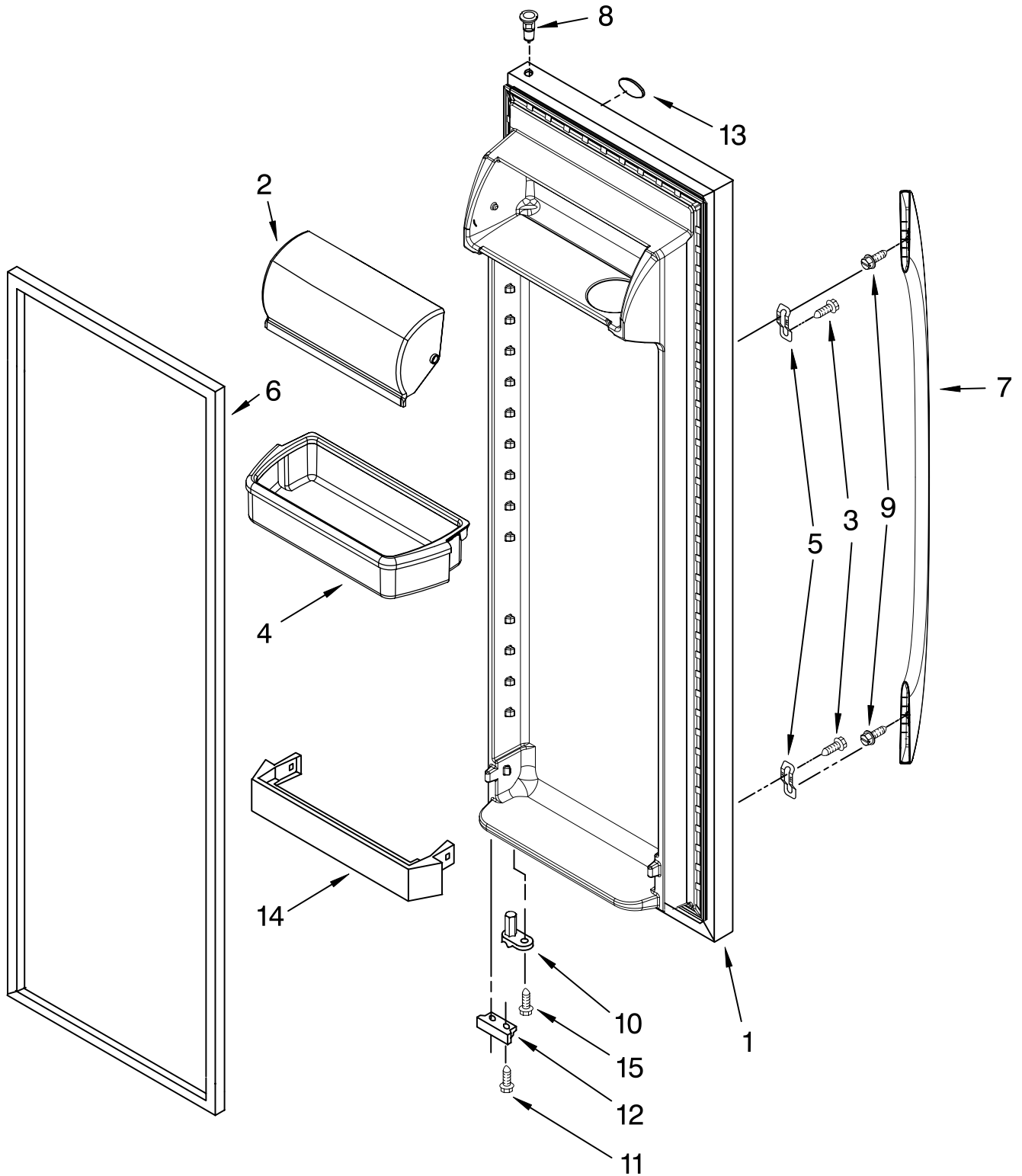
Illus. No.	Part No.	DESCRIPTION
1	2183726	Bracket, Motor
2	2188385	Motor, Dispenser
3	2152713	Solenoid Assembly
4	2149100	Guide, Solenoid
5	2325303	Wiring Assembly, Ice Dispenser
6	489399	Screw (6)
7	2205716	Coupling, Motor
8	489478	Screw
9	2162085	Socket, Light
10	2196091	Ice Container
11	1119005	Spacer, Step (3)
12	1119007	Spacer, Flat (2)
13	2257022	Blade, Rotary
14	2257023	Blade, Rotary
15	2257024	Blade, Rotary
16	489235	Washer, Plain
17	1119009	Blade, Fixed (2)
18	2157405	Block, Blade
19	489229	Roll Pin
20	2196295	Auger
21	2305377	Drum
22	2171682	Floating Baffle
23	1119018	Nut, Bearing
24	2155231	Control Arm
25	1119020	Spring, Return
26	1119021	Retainer Clip, Rod
27	488886	Screw
28	2180348	Housing, Crusher
29	1119017	Deflector, Ice
30	489234	Washer, Plain
31	489236	Retainer Ring
32	2204321	Front Cover, Ice Container
33	2311792	Light Bulb
34	2171706	Light Lens, Dispenser
100	2209780	Ice Container (Complete)

FOR ORDERING INFORMATION REFER TO PARTS PRICE LIST

REFRIGERATOR DOOR PARTS

For Models: ED5LHEXTD00

(Universal Silver)



FOR ORDERING INFORMATION REFER TO PARTS PRICE LIST

REFRIGERATOR DOOR PARTS

For Models: ED5LHEXTD00

(Universal Silver)

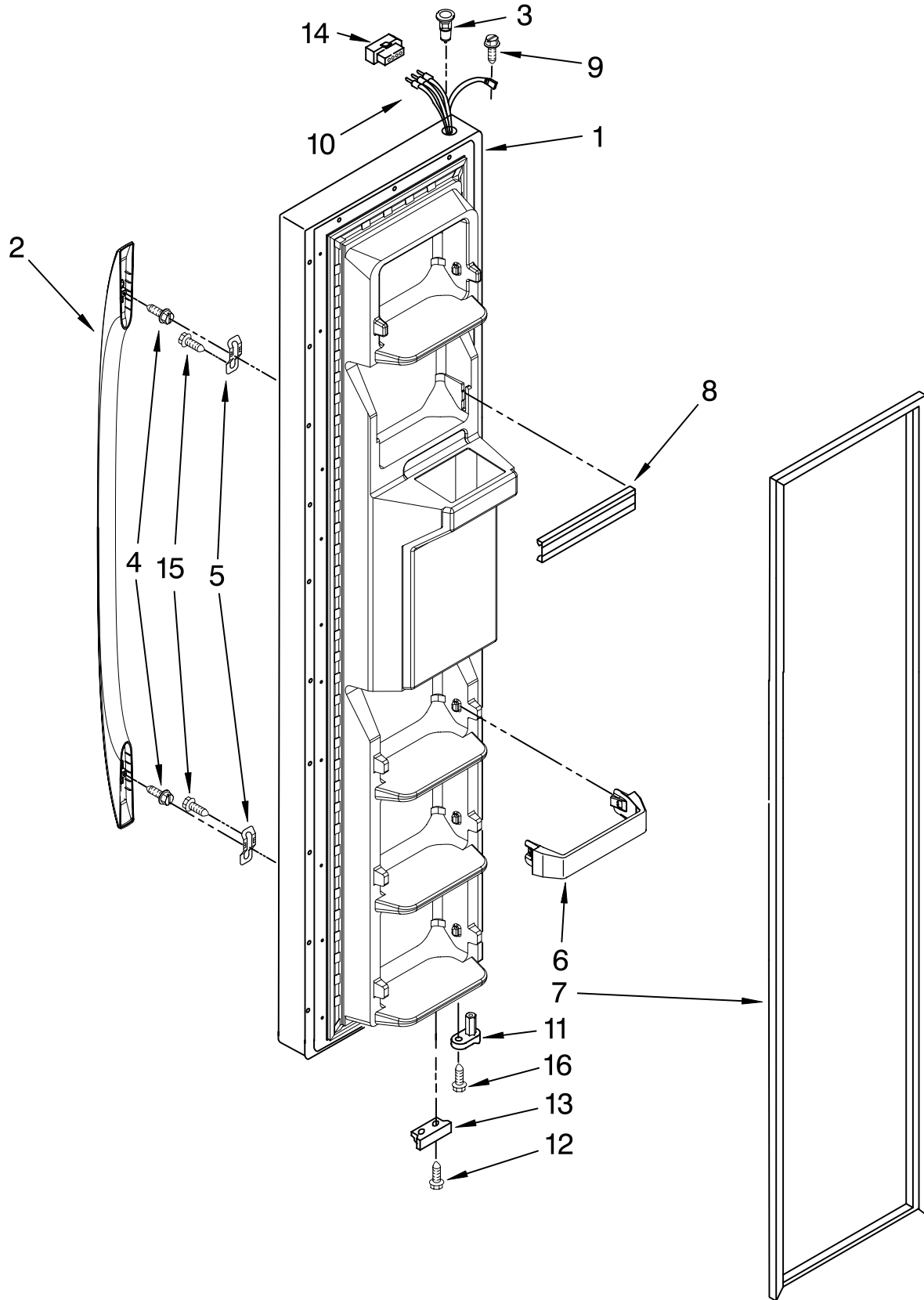
Illus. No.	Part No.	DESCRIPTION
1		Refrigerator Door (Includes Item 6)
	2311658US	Universal Silver
2	2256101	Door, Compartment
3	489491	Screw
4	2187172	Door Bin (3)
5	2255411	Clip, Mounting
6		Door Gasket, Magnetic
	2309529	Black
7		Handle
	2313345B	Black
8	2308091	Thimble-Top
9	8533920	Screw
10	2182178	Door Closer, Upper Cam
11	489420	Screw
12		Bracket, Door Stop
	2206629B	Black
13	2255121	Nameplate
14	2177962	Trivet, Shelf
15	3400012	Screw

FOR ORDERING INFORMATION REFER TO PARTS PRICE LIST

FREEZER DOOR PARTS

For Models: ED5LHEXTD00

(Universal Silver)



FOR ORDERING INFORMATION REFER TO PARTS PRICE LIST

FREEZER DOOR PARTS

For Models: ED5LHEXTD00
(Universal Silver)

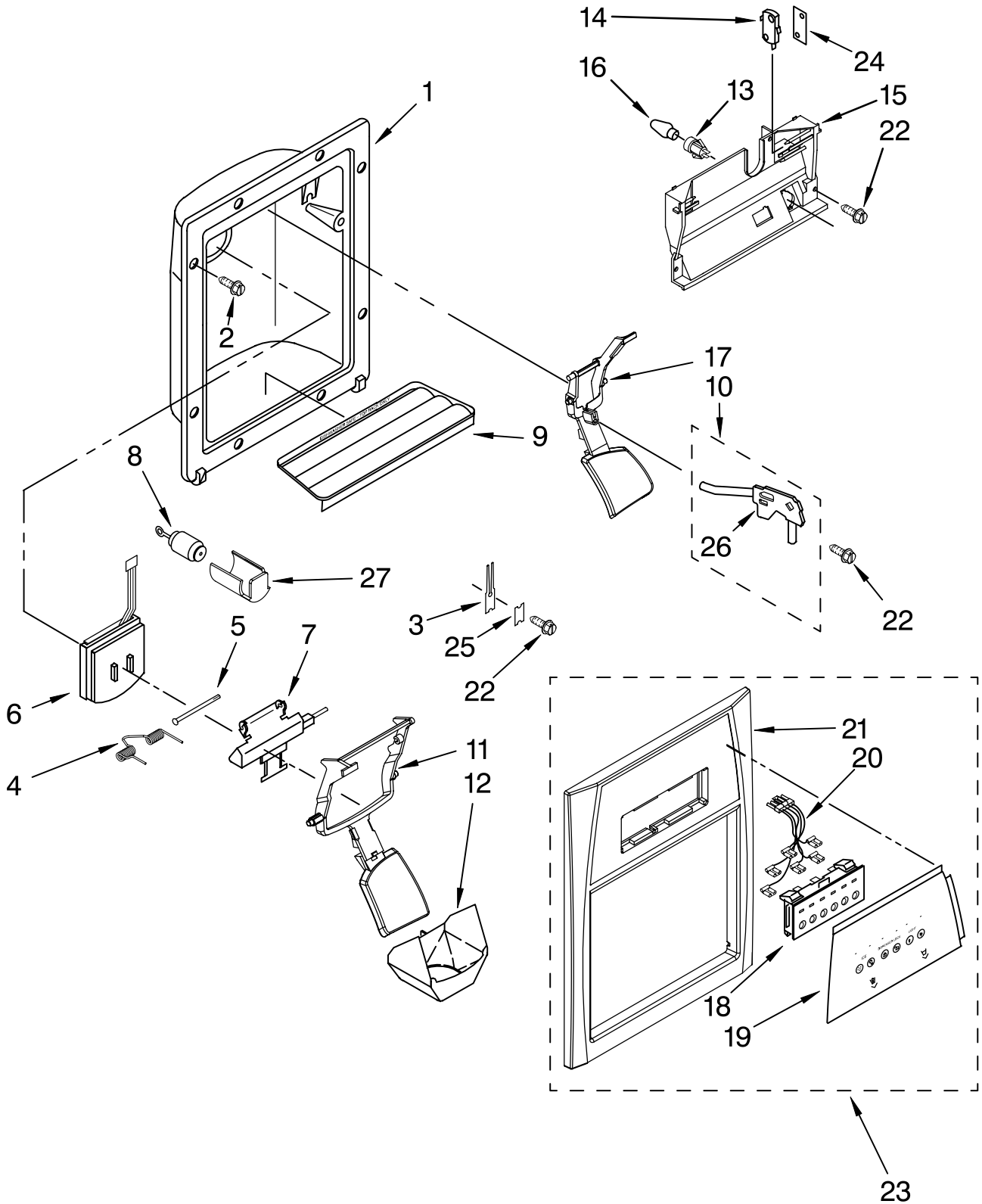
Illus. No.	Part No.	DESCRIPTION
1		Freezer Door (Includes Item 8 And Dispenser Front Parts)
	2325839US	Universal Silver
2		Handle
	2313345B	Black
3	2182181	Thimble-Top
4	8533920	Screw
5	2255411	Clip, Mounting
6	2309718	Trivet (4)
7		Door Gasket, Magnetic
	2309533	Black
8	2209681	Trim, Door Shelf
9	488500	Screw
10	2311641	Wire Harness
11	2182179	Door Closer, Upper Cam
12	489420	Screw
13		Bracket, Door Stop
	2206629B	Black
14	2154473	Connector
15	489491	Screw
16	3400012	Screw

FOR ORDERING INFORMATION REFER TO PARTS PRICE LIST

DISPENSER FRONT PARTS

For Models: ED5LHEXTD00

(Universal Silver)



FOR ORDERING INFORMATION REFER TO PARTS PRICE LIST

DISPENSER FRONT PARTS

For Models: ED5LHEXTD00

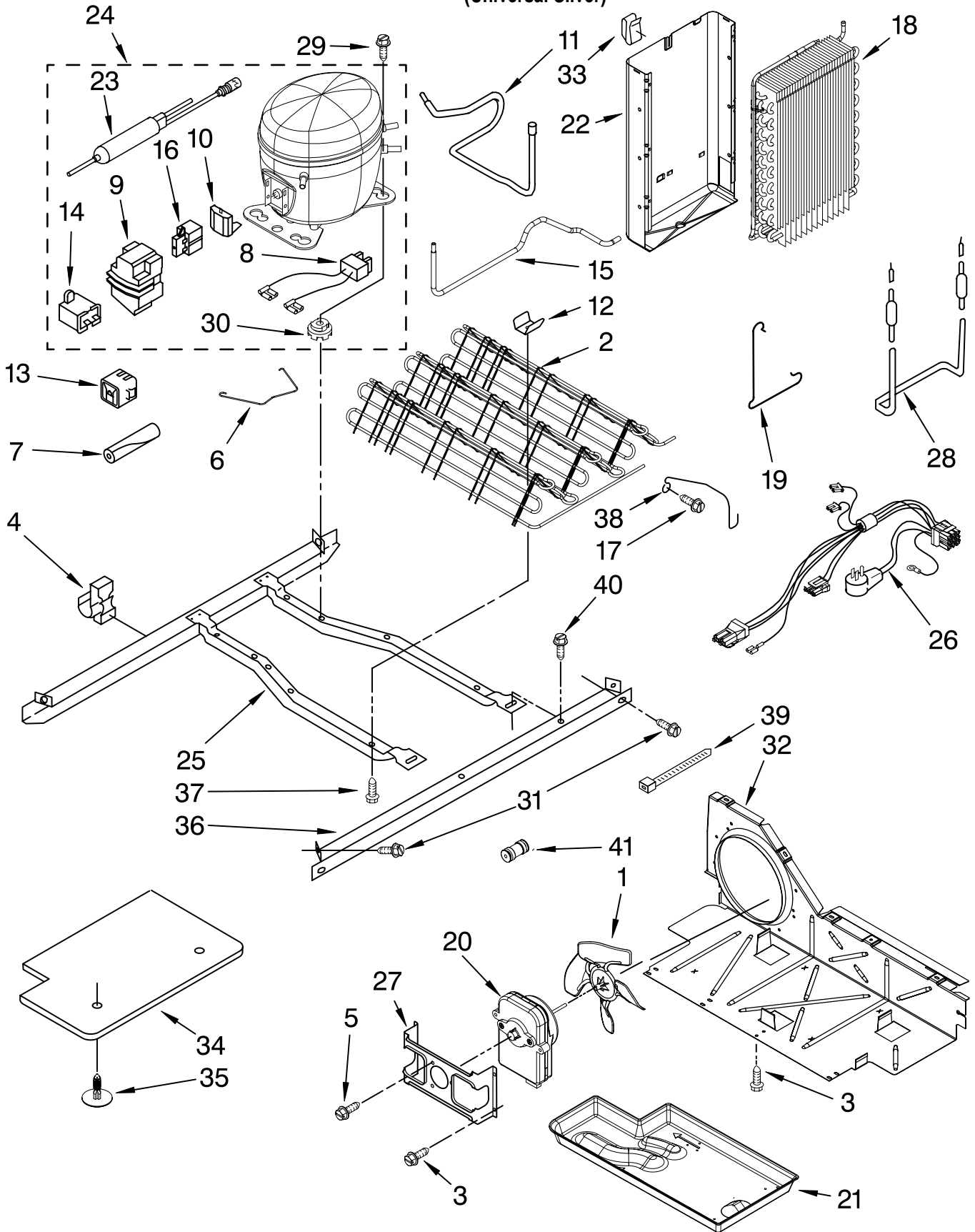
(Universal Silver)

Illus. No.	Part No.	DESCRIPTION
1		Housing, Dispenser (Not Serviced)
2	3196537	Screw
3	2194719	Retainer, Levers
4	2304772	Spring, Torsion
5	2196195	Pin
6	2180353	Door, Ice
7	2304355	Door Mechanism Assembly
8	2205686	Mechanism Delay
9		Grille, Overflow
	2206670B	Black
10	2304317	Water Fitting Assembly (Includes Water Tube)
11		Lever, Ice Dispenser
	2255431B	Black
12	2180224	Guide, Ice
13	2180200	Lamp Holder
14	2162361	Switch (2)
15	2183771	Bracket, Control
16	3406124	Bulb, Light
17		Lever, Water Dispenser
	2255432B	Black
18		Switch Assembly (Included in #23)
19		Overlay, Front Cover (Not Available Order #23)
20		Wire Assembly (Not available order #23)
21		Front Cover, Housing (Not Available, Order #23)
22	489000	Screw
23		Front Cover Assembly (Includes Items 18, 19, 20 & 21)
	2311690B	Black
24	625834	Spacer, Switch (2)
25	2195051	Strain Relief
26	2304673	Bracket, Dispenser
27	2252127	Sleeve, Delay Mechanism

FOR ORDERING INFORMATION REFER TO PARTS PRICE LIST

UNIT PARTS

For Models: ED5LHEXTD00
(Universal Silver)



FOR ORDERING INFORMATION REFER TO PARTS PRICE LIST

UNIT PARTS

For Models: ED5LHEXTD00
(Universal Silver)

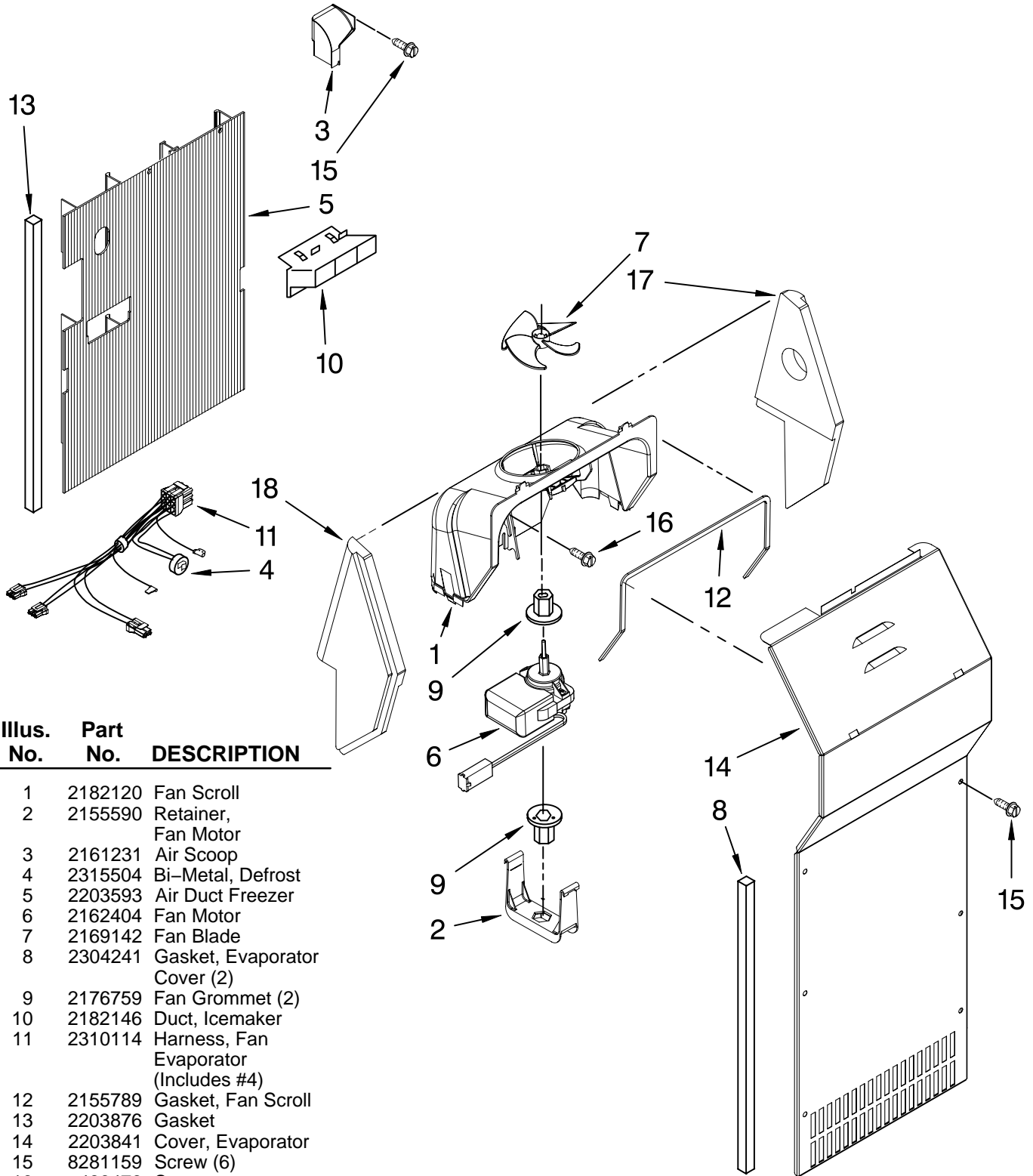
Illus. No.	Part No.	DESCRIPTION	Illus. No.	Part No.	DESCRIPTION	Illus. No.	Part No.	DESCRIPTION
1	2225834	Fan, Blade	18	2188823	Evaporator	36	2305374	Unit Mounting Rail
2	2304902	Condenser Assembly	19	2161324	Clamp	37	8281232	Screw
3	489464	Screw	20	2188874	Fan, Motor	38	2260517	Guard, Fan
4	2208280	Clip, Wire	21	1105523	Tray, Evaporator	39	2263990	Strap
5	8533993	Screw	22	2217194	Heat Shield	40	489427	Screw
6	2223314	Clip, Retaining	23		Drier	41	2209709	Union
7	2161302	Sleeve		2319825	Production	Following Parts Not Illustrated and Optional Parts Not Included		
8	4387765	Wire, Capacitor (Service Only)		2317845	Service		978025	Valve, Access (1/4")
9	4387731	Cover, Terminal (Service Only)	24	2320138	Compressor (Includes Items 8, 9, 10, 13, 16, 23 & 30) (Also Order 876765 Tube Kit)		978026	Valve, Access (5/16")
10	2154697	Overload (Service Only)					978027	Valve, Access (3/8")
11	2205765	Tube Suction	25	2304904	Unit Mounting Frame		978028	Valve, Access (1/2")
12	2311725	Clip, Condenser(2)	26	2187783	Unit, Harness (Includes Power Cord)		978029	Valve, Access (5/8")
13	2304885	Start Device, Combination (Start Relay and overload) for production compressor only	27	2181929	Fan, Motor Bracket		978030	Valve, Access (3/4")
14		Capacitor	28	2188175	Heater, Defrost		876764	Valve, Access (3/16")
	2169373	Production	29	489373	Screw	REFRIGERANT CHARGE		
	1118576	Service	30		Grommet (4) (Production)			5.0 oz.
15	2261599	Tube, Condenser to Heat Loop		1100826	(Service)			(R-134A)
16	2183454	Relay (Service Only)	31	489340	Screw (5)			
17	489478	Screw	32	2196202	Air Baffle			
			33	2155547	Clip, Heat Shield			
			34	2304899	Unit Cover, Bottom			
			35	489396	Clip			

FOR ORDERING INFORMATION REFER TO PARTS PRICE LIST

AIR FLOW PARTS

For Models: ED5LHEXTD00

(Universal Silver)



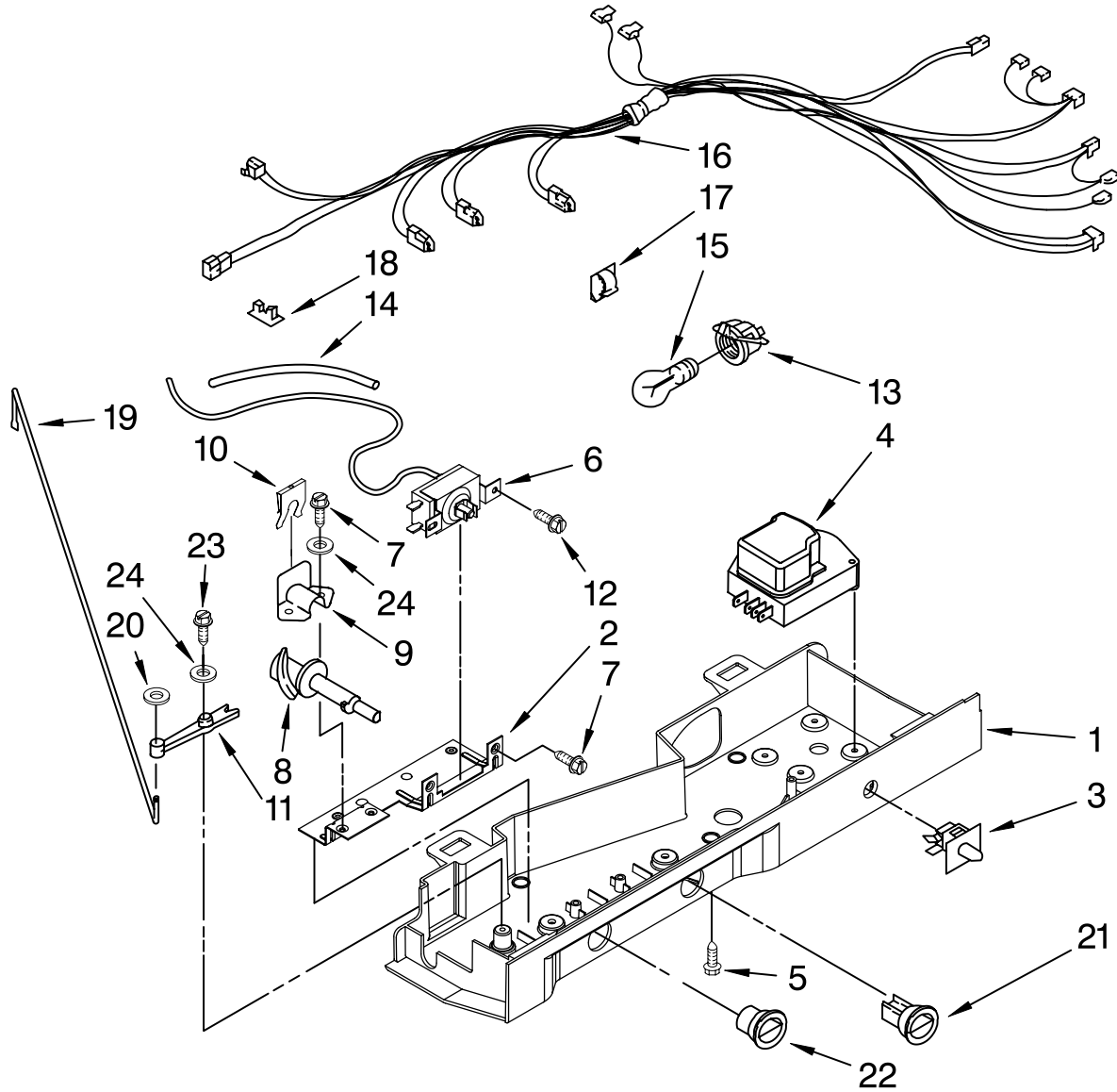
Illus. No.	Part No.	DESCRIPTION
1	2182120	Fan Scroll
2	2155590	Retainer, Fan Motor
3	2161231	Air Scoop
4	2315504	Bi-Metal, Defrost
5	2203593	Air Duct Freezer
6	2162404	Fan Motor
7	2169142	Fan Blade
8	2304241	Gasket, Evaporator Cover (2)
9	2176759	Fan Grommet (2)
10	2182146	Duct, Icemaker
11	2310114	Harness, Fan Evaporator (Includes #4)
12	2155789	Gasket, Fan Scroll
13	2203876	Gasket
14	2203841	Cover, Evaporator
15	8281159	Screw (6)
16	489478	Screw
17	2203595	Support, R.S
18	2203596	Support, L.S

FOR ORDERING INFORMATION REFER TO PARTS PRICE LIST

CONTROL PARTS

For Models: ED5LHEXTD00

(Universal Silver)



Illus. No.	Part No.	DESCRIPTION
1	2311623	Control Box
2	2311611	Mounting Bracket
3	2219875	Light Switch
4	2303824	Electronic Control
5	489398	Screw (2)
6	2198202	Thermostat
7	3196537	Screw
8	2182195	Cam Assembly

Illus. No.	Part No.	DESCRIPTION
9	1110560	Bearing Body
10	2196062	Damper Control
11	1110559	Pivot Arm
12	487869	Screw (2)
13	2162085	Light Socket
14	2196001	Tube Barrier, Thermostat
15	2311792	Light Bulb
16	2311633	Control Box Harness

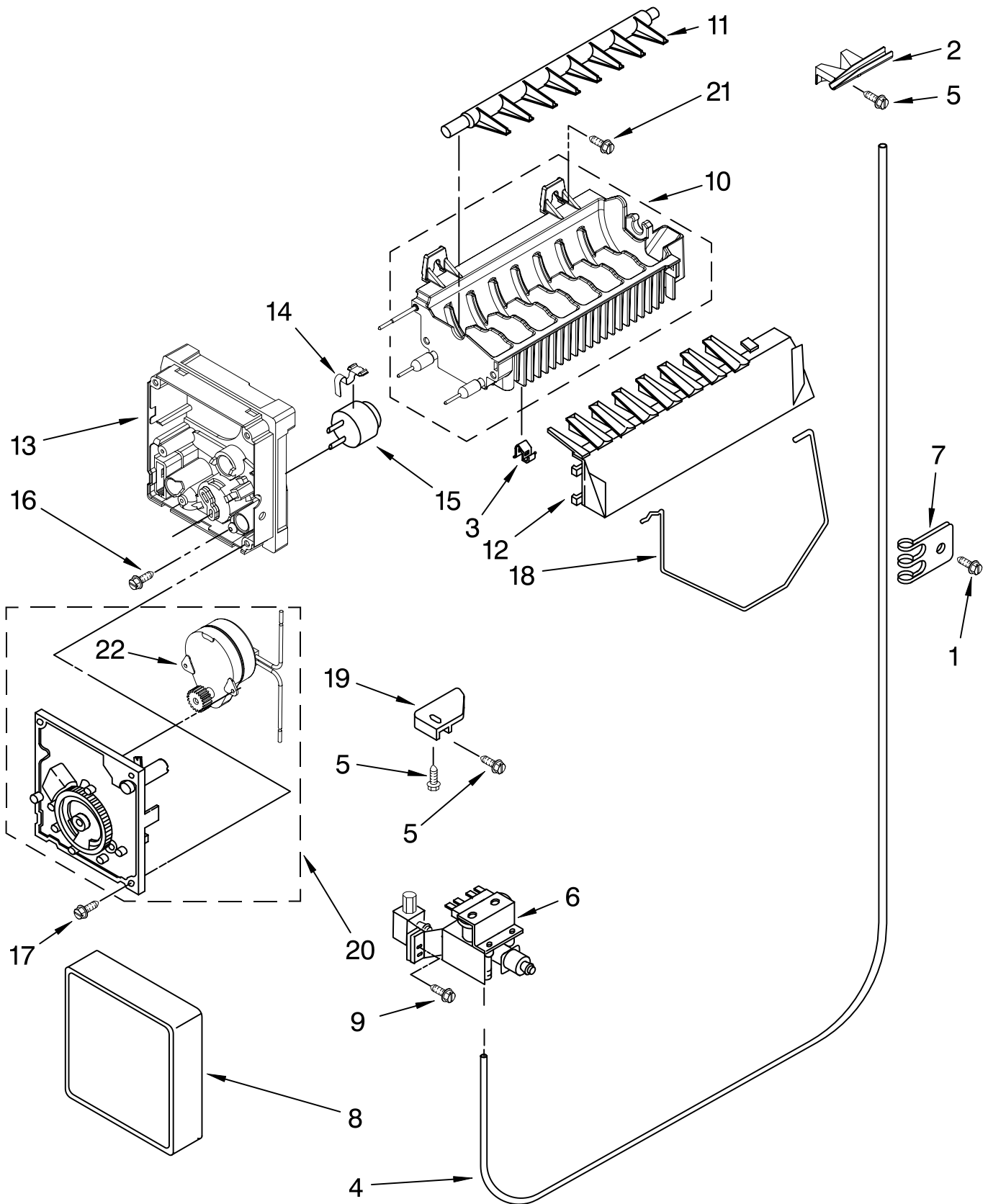
Illus. No.	Part No.	DESCRIPTION
17	1115374	Clip, Wiring
18	1115375	Clip, Wiring
19	2311631	Connecting Rod
20	489285	Fastener, Push-On
21	2311614	Thermostat Knob
22	2311615	Control Knob
23	627068	Screw
24	489203	Spring Washer

FOR ORDERING INFORMATION REFER TO PARTS PRICE LIST

ICEMAKER PARTS

For Models: ED5LHEXTD00

(Universal Silver)



FOR ORDERING INFORMATION REFER TO PARTS PRICE LIST

ICEMAKER PARTS

For Models: ED5LHEXTD00

(Universal Silver)

Illus. No.	Part No.	DESCRIPTION
1	489084	Screw
2	2209774	Chute, Water
3	628379	Clip, Fuse
4	2223137	Tube, Water
5	489478	Screw
6	2315534	Filter Valve Asm
7	2208136	Tube Clip
8	2174155	Cover
9	488649	Screw
10	628228	Mold & Heater Assembly (Also Order 542638
11	627843	Ejector
12	2182124	Ice Striper
13	2194712	Support
14	2315522	Retainer, Thermostat
15	628397	Thermostat (Also Order 542369 Cement Alumilastic)
16	8533917	Screw
17	489276	Screw
18	2304354	Shut Off Arm
19	628320	Bracket
20	626678	Module Assembly (Includes #22)
21	488208	Screw
22		Motor (Not Serviced, Order #20)
100	626662	Complete Icemaker Assembly

OPTIONAL PARTS (NOT INCLUDED)

For Models: ED5LHEXTD00

(Universal Silver)

Illus. No.	Part No.	DESCRIPTION	Illus. No.	Part No.	DESCRIPTION	Illus. No.	Part No.	DESCRIPTION
<u>PAINT, PRESSURIZED SPRAY (12 oz.)</u>			<u>PAINT, BULK (1 qt.)</u>			<u>TORX SCREW WRENCH</u>		
	*350942	Primer, White		799340	Black		1117510	Torx Key
	*350939	Black		799344	White			
	*350930	White		8171358	Graphite			
	*8171357	Graphite						
<u>PAINT, TOUCH-UP (1/2oz.)</u>			<u>Miscellaneous</u>					
	72017	White		212643	Sealer, Gum (4 Feet)			
	72032	Black		479502	Tape, Vinyl (3/4 x 108")			
	80051	Graphite		505587	Sealer, Mastic (1 Qt.)			
	W10134625	Apollo Grey		503695	Cork, Sealer (1/4 Pound)			
				542638	Grease, Silicone (1/2 Oz.)			
				542639	Cement, Alumilastic (1-1/4 Oz.)			
				799833	Kit, Evaporator Repair (Aluminum Epoxy)			
				833938	Kit, Terminal Connector			

***Important:** The spray paint is not to be used where the paint may make contact with the door gaskets.

FOR ORDERING INFORMATION REFER TO PARTS PRICE LIST