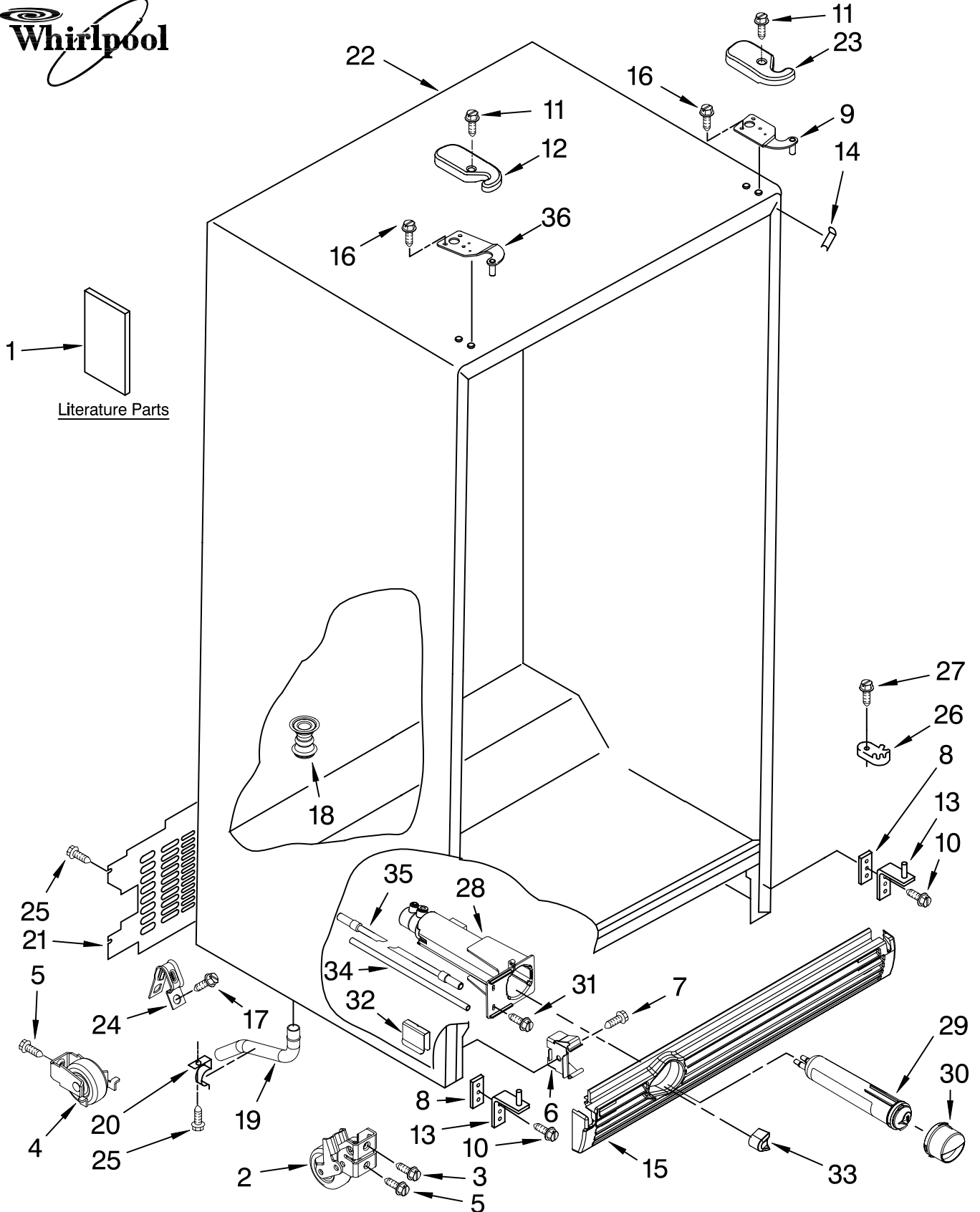


CABINET PARTS

REFRIGERATOR

For Models: ED5FHAXVQ00, ED5FHAXVT00, ED5FHAXVB00, ED5FHAXVS00, ED5FHAXVY00, ED5FHAXVA00
(White) (Biscuit) (Black) (Stainless Steel) (Mono Satina) (Mono Stainless)



FOR ORDERING INFORMATION REFER TO PARTS PRICE LIST

CABINET PARTS

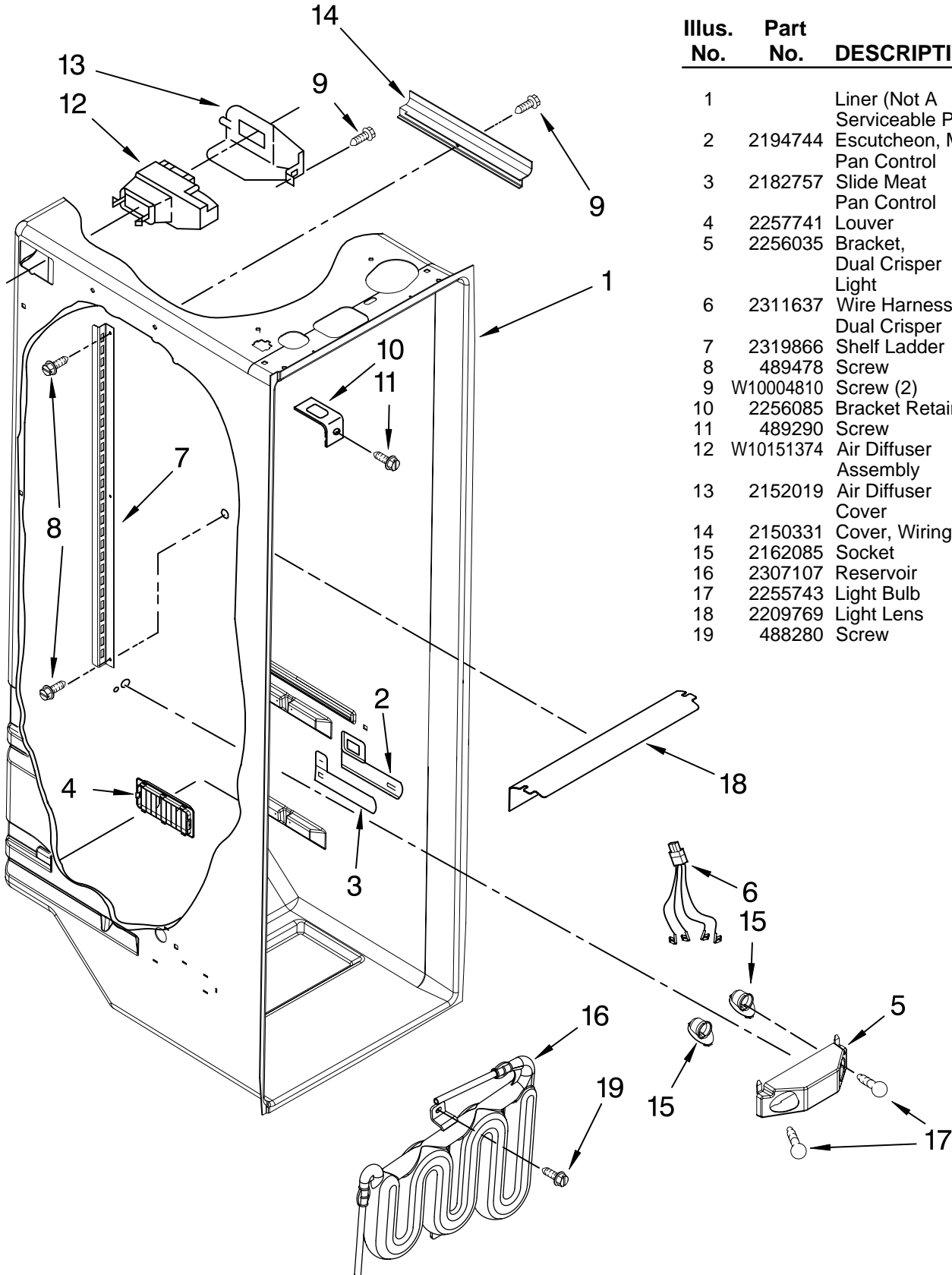
For Models: ED5FHAXVQ00, ED5FHAXVT00, ED5FHAXVB00, ED5FHAXVS00, ED5FHAXVY00, ED5FHAXVA00
 (White) (Biscuit) (Black) (Stainless Steel) (Mono Satina) (Mono Stainless)

Illus. No.	Part No.	DESCRIPTION	Illus. No.	Part No.	DESCRIPTION	Illus. No.	Part No.	DESCRIPTION	
1		Literature Parts	13		Hinge Bottom	25	489084	Screw	
	W10123713	Energy Guide		W10138965	RC	26		Door Closer	
	W10162444	Owner's Manual		2303141	FC		2155311	RC	
	W10142162	Service & Wiring Sheet	14		Filler, Wrapper		2223751	FC	
	2220407	Modular Icemaker Service Sheet		2304846	White	27	489483	Screw	
	2216001	Instruction Sheet (Door Removal)		2304849	Biscuit	28	2260507	Housing, Water Filter	
				2304848	Black	29	4396841	Water Filter	
				2304932AP	Apollo Grey	30		Cap, Water Filter	
			15		Grille		2260502W	White	
				2323580W	White		2260502T	Biscuit	
				2323580T	Biscuit		2260502B	Black	
				2323580B	Black		2260502MG	Midnight Grey	
2	4386774	Front Roller (2)		2323580MG	Midnight Grey		31	489500	Screw
3	3400517	Screw	16	489497	Screw		32	2260519	Block, Housing Support
4	2196236	Rear Roller (2)	17	489464	Screw		33		Button, Water Filter
5	489427	Screw	18	2304888	Drain Fitting		2260503W	White	
6	2155013	Clip, Grille	19	2304937	Extension Tube		2260503T	Biscuit	
7	489478	Screw	20	1108439	Clip, Drain Tube		2260503B	Black	
8	2156056	Shim	21	2188755	Cover, Unit		2260503MG	Midnight Grey	
9	2203771	Hinge Top (RC)	22		Cabinet (Not A Serviceable Part)	34	2255153	Tube, Filter Outlet	
10	3400113	Screw			Hinge Cover (RC)		35	2319867	Tube, Filter Inlet
11	8281227	Screw	23				36	2203770	Hinge Top (FC)
12		Hinge Cover (FC)		W10138581	White				
	W10138576	White		W10138583	Biscuit				
	W10138578	Biscuit		W10138582	Black				
	W10138577	Black		W10138584	Apollo Grey				
	W10138579	Apollo Grey	24	549193	Clamp, Service Cord				

FOR ORDERING INFORMATION REFER TO PARTS PRICE LIST

REFRIGERATOR LINER PARTS

For Models: ED5FHAXVQ00, ED5FHAXVT00, ED5FHAXVB00, ED5FHAXVS00, ED5FHAXVY00, ED5FHAXVA00
 (White) (Biscuit) (Black) (Stainless Steel) (Mono Satina) (Mono Stainless)

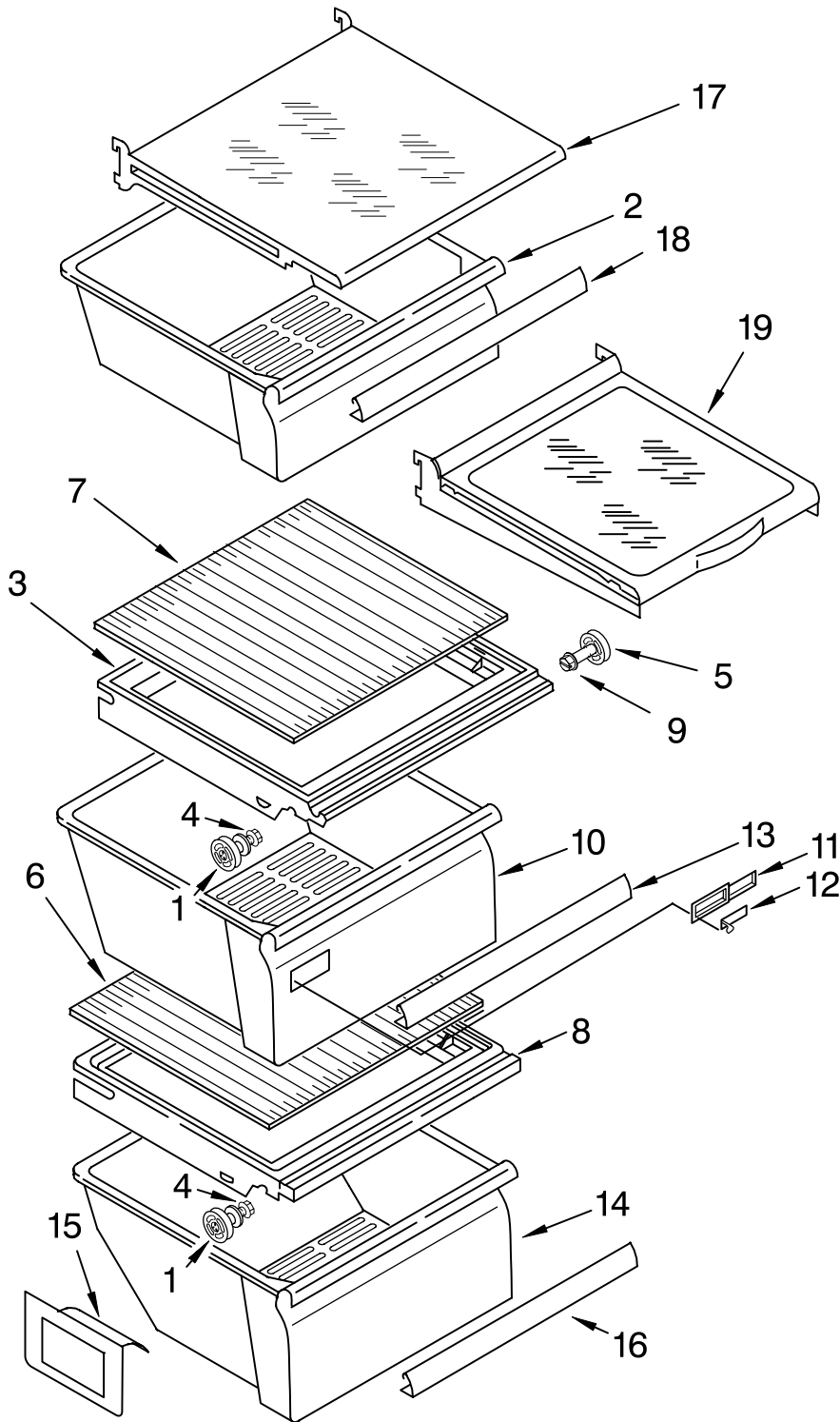


Illus. No.	Part No.	DESCRIPTION
1		Liner (Not A Serviceable Part)
2	2194744	Escutcheon, Meat Pan Control
3	2182757	Slide Meat Pan Control
4	2257741	Louver
5	2256035	Bracket, Dual Crisper Light
6	2311637	Wire Harness, Dual Crisper
7	2319866	Shelf Ladder
8	489478	Screw
9	W10004810	Screw (2)
10	2256085	Bracket Retainer
11	489290	Screw
12	W10151374	Air Diffuser Assembly
13	2152019	Air Diffuser Cover
14	2150331	Cover, Wiring
15	2162085	Socket
16	2307107	Reservoir
17	2255743	Light Bulb
18	2209769	Light Lens
19	488280	Screw

FOR ORDERING INFORMATION REFER TO PARTS PRICE LIST

REFRIGERATOR SHELF PARTS

For Models: ED5FHAXVQ00, ED5FHAXVT00, ED5FHAXVB00, ED5FHAXVS00, ED5FHAXVY00, ED5FHAXVA00
 (White) (Biscuit) (Black) (Stainless Steel) (Mono Satina) (Mono Stainless)

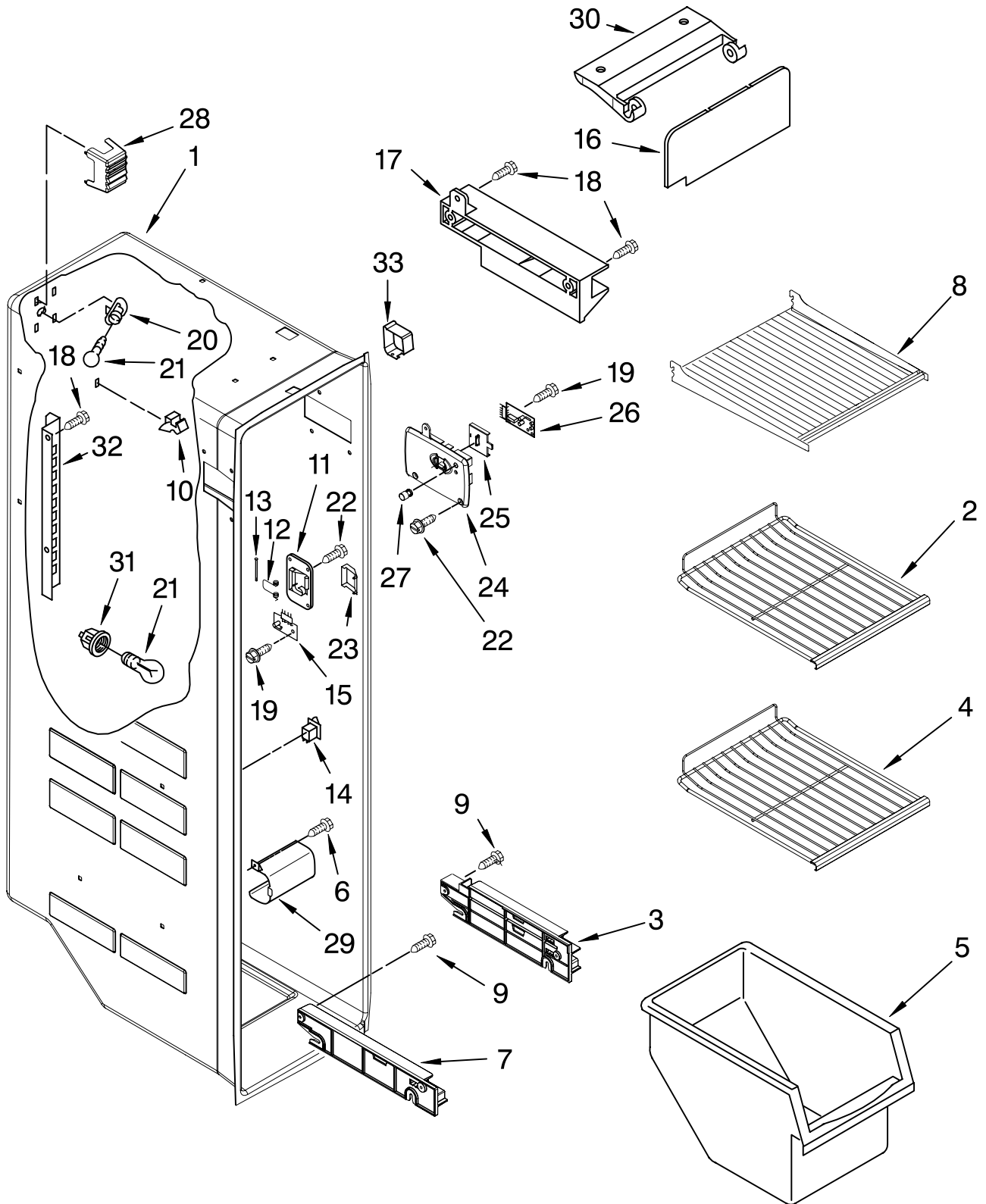


Illus. No.	Part No.	DESCRIPTION
1	2196485	Stud Assembly
2	2188655	Snack Bin
3	2209698	Cover, Crisper
4	3400894	Screw
5	2196483	Stud Assembly
6	2179259	Glass, Meat Cover
7	2174150	Glass, Cover
8	2311726	Cover, Meat Pan
9	8281158	Screw
10	2188652	Crisper Pan
11	2179343	Body, Humidity Control
12	2179342	Slide, Humidity Control
13	2255593	Trim, Handle
14	2188654	Meat Pan
15	2179350	Deflector
16	2255592	Trim, Handle
17	W10141750	Shelf, Snack Bin
18	2179243	Trim, Handle
19	W10141749	Shelf Assembly, Spillguard (2)

FOR ORDERING INFORMATION REFER TO PARTS PRICE LIST

FREEZER LINER PARTS

For Models: ED5FHAXVQ00, ED5FHAXVT00, ED5FHAXVB00, ED5FHAXVS00, ED5FHAXVY00, ED5FHAXVA00
(White) (Biscuit) (Black) (Stainless Steel) (Mono Satina) (Mono Stainless)



FOR ORDERING INFORMATION REFER TO PARTS PRICE LIST

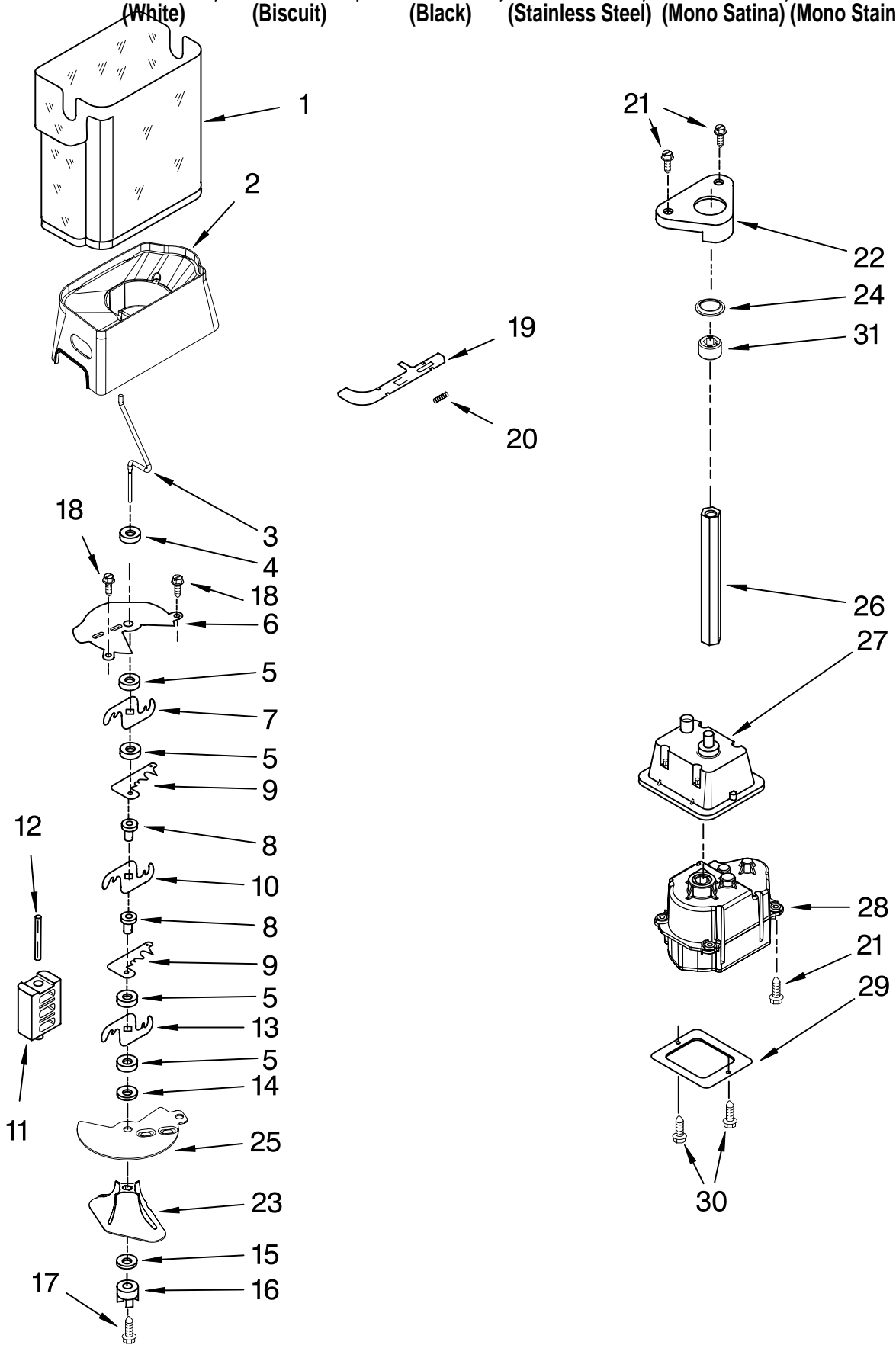
FREEZER LINER PARTS

For Models: ED5FHAXVQ00, ED5FHAXVT00, ED5FHAXVB00, ED5FHAXVS00, ED5FHAXVY00, ED5FHAXVA00
 (White) (Biscuit) (Black) (Stainless Steel) (Mono Satina) (Mono Stainless)

Illus. No.	Part No.	DESCRIPTION
1		Liner (Not A Serviceable Part)
2	2211746K	Shelf, Slide Out Upper
3		Track, Basket-Dual
	2301291	Right
	2301292	Left
4	2211742K	Shelf, Slide Out
5	2182971	Freezer Bin
6	3400893	Screw
7		Shelf Track
	2301289	Right Side
	2301290	Left Side
8	2205837K	Shelf (2)
9	W10004810	Screw (8)
10	842534	Clip, Air Duct (2)
11	2198587	Cover, Emitter
12	2198635	Spring
13	2198634	Pin
14	1115373	Switch, Rocker Arm
15	2220398	P.C. Board Emitter
16	2255588	Cover, Ice Maker
17	2212321	Slide, Ice Maker Mounting
18	489478	Screw
19	489214	Screw
20	2162085	Light Socket
21	2255743	Light Bulb
22	8281185	Screw
23	2198633	Flipper
24	2255558	Cover, Receiver
25	2255562	Slide, Ice Maker Shut Off
26	2255114	P.C. Board, Receiver
27	2198643	Lens
28	2198589	Light Shield
29	2212340	Light Lens
30	2198641	Bracket, Ice Maker Cover
31	2155597	Socket, Light
32		Ladder
	2198609	Left Side
	2198610	Right Side
33	2303234	Shield, Wiring

MOTOR AND ICE CONTAINER PARTS

For Models: ED5FHAXVQ00, ED5FHAXVT00, ED5FHAXVB00, ED5FHAXVS00, ED5FHAXVY00, ED5FHAXVA00
 (White) (Biscuit) (Black) (Stainless Steel) (Mono Satina) (Mono Stainless)



FOR ORDERING INFORMATION REFER TO PARTS PRICE LIST

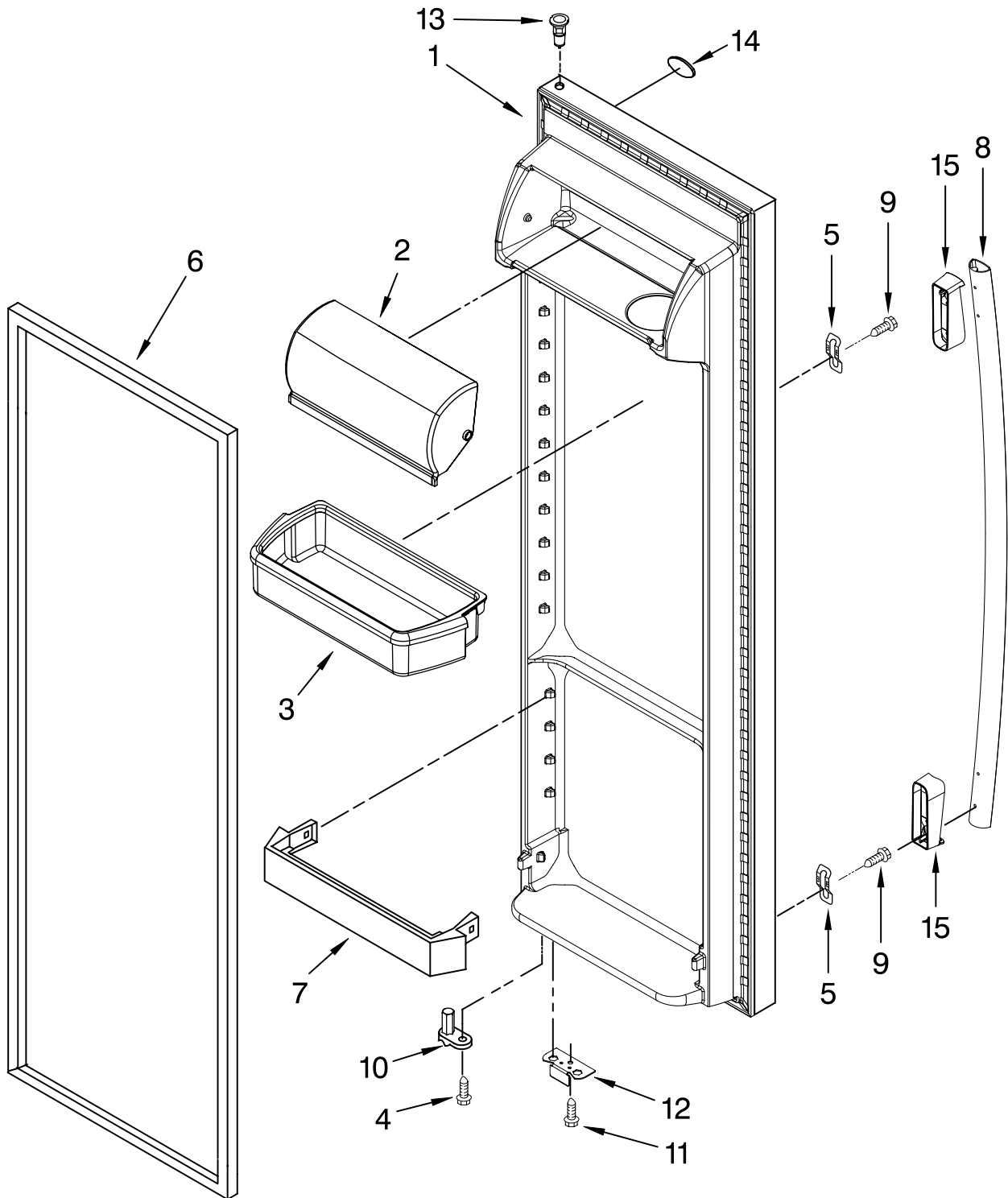
MOTOR AND ICE CONTAINER PARTS

For Models: ED5FHAXVQ00, ED5FHAXVT00, ED5FHAXVB00, ED5FHAXVS00, ED5FHAXVY00, ED5FHAXVA00
 (White) (Biscuit) (Black) (Stainless Steel) (Mono Satina) (Mono Stainless)

Illus. No.	Part No.	DESCRIPTION
1	2198573	Ice Bin
2	2317254	Crusher Bin
3	2317240	Auger
4	2258220	Washer
5	1119007	Spacer, Flat (4)
6	2317248	Cover, Crusher
7	2257024	Blade, Rotary
8	1119005	Spacer, Step (2)
9	2257020	Blade, Fixed
10	2257023	Blade, Rotary
11	2317239	Block, Blade
12	489229	Roll Pin
13	2257022	Blade, Rotary
14	489235	Washer, Plain
15	2198661	Washer, Coupling
16	2188918	Coupling
17	8281164	Screw
18	3400065	Screw
19	2317262	Latch, Bin
20	2198608	Spring, Latch
21	8281163	Screw
22	2188919	Holder
23	2317243	Wiper
24	2198628	Seal
25	2317250	Divider, Chamber
26	2188916	Drive Shaft
27	2322488	Enclosure, Motor
28	2322580	Dispenser, Motor
29	2212305	Cover
30	489478	Screw
31	2315559	Sleeve, Coupling
100	2317251	Ice Container (Complete)

REFRIGERATOR DOOR PARTS

For Models: ED5FHAXVQ00, ED5FHAXVT00, ED5FHAXVB00, ED5FHAXVS00, ED5FHAXVY00, ED5FHAXVA00
(White) (Biscuit) (Black) (Stainless Steel) (Mono Satina) (Mono Stainless)



FOR ORDERING INFORMATION REFER TO PARTS PRICE LIST

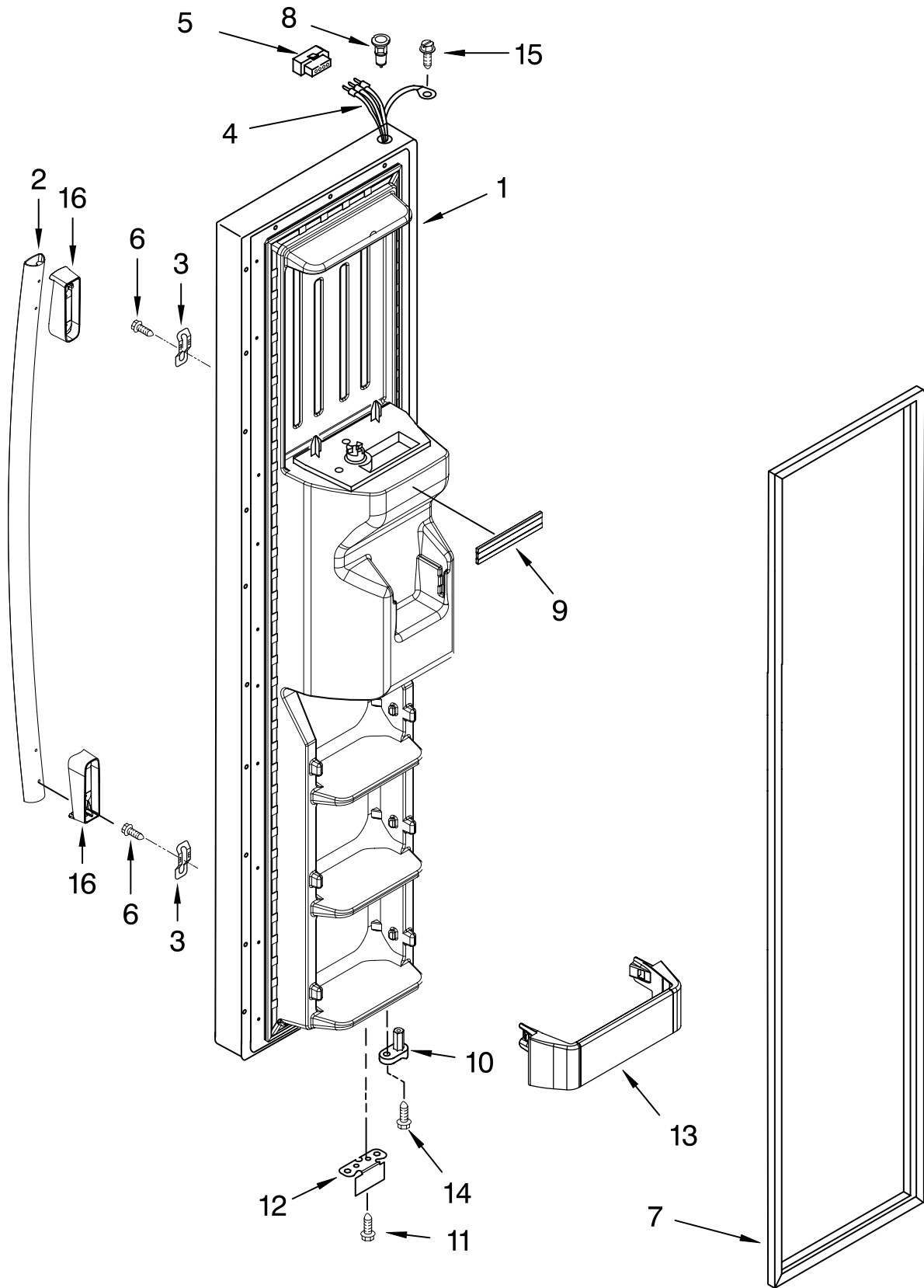
REFRIGERATOR DOOR PARTS

For Models: ED5FHAXVQ00, ED5FHAXVT00, ED5FHAXVB00, ED5FHAXVS00, ED5FHAXVY00, ED5FHAXVA00
 (White) (Biscuit) (Black) (Stainless Steel) (Mono Satina) (Mono Stainless)

Illus. No.	Part No.	DESCRIPTION
1		Refrigerator Door (Includes Item #6)
	W10169197	White
	W10169199	Biscuit
	W10169198	Black
	W10169200	Stainless Steel
	W10169203	Mono Stainless
	W10169201	Mono Satina
2	2256101	Compartment Door
3	2304235K	Shelf Bin (3)
4	3400012	Screw
5	2255411	Clip
6		Door Gasket, Magnetic
	2221302	Mist Beige
	2221313	Black
	2326338	Apollo Grey
7	2156022	Shelf Bin
8		Handle, Extr
	W10127808	White
	W10127810	Biscuit
	W10127809	Black
	W10127811	Stainless, All
9	W10155511	Screw (4)
10	2182178	Door Closer, Upper Cam
11	489420	Screw
12		Bracket, Door Stop
	2323534	Chrome
	2323534B	Black
13	2301049	Thimble-Top
14	2255121	Nameplate
15		Handle, Endcap
	W10127813	White
	W10127815	Biscuit
	W10127814	Black
	W10152864	Stainless, All

FREEZER DOOR PARTS

For Models: ED5FHAXVQ00, ED5FHAXVT00, ED5FHAXVB00, ED5FHAXVS00, ED5FHAXVY00, ED5FHAXVA00
(White) (Biscuit) (Black) (Stainless Steel) (Mono Satina) (Mono Stainless)



FOR ORDERING INFORMATION REFER TO PARTS PRICE LIST

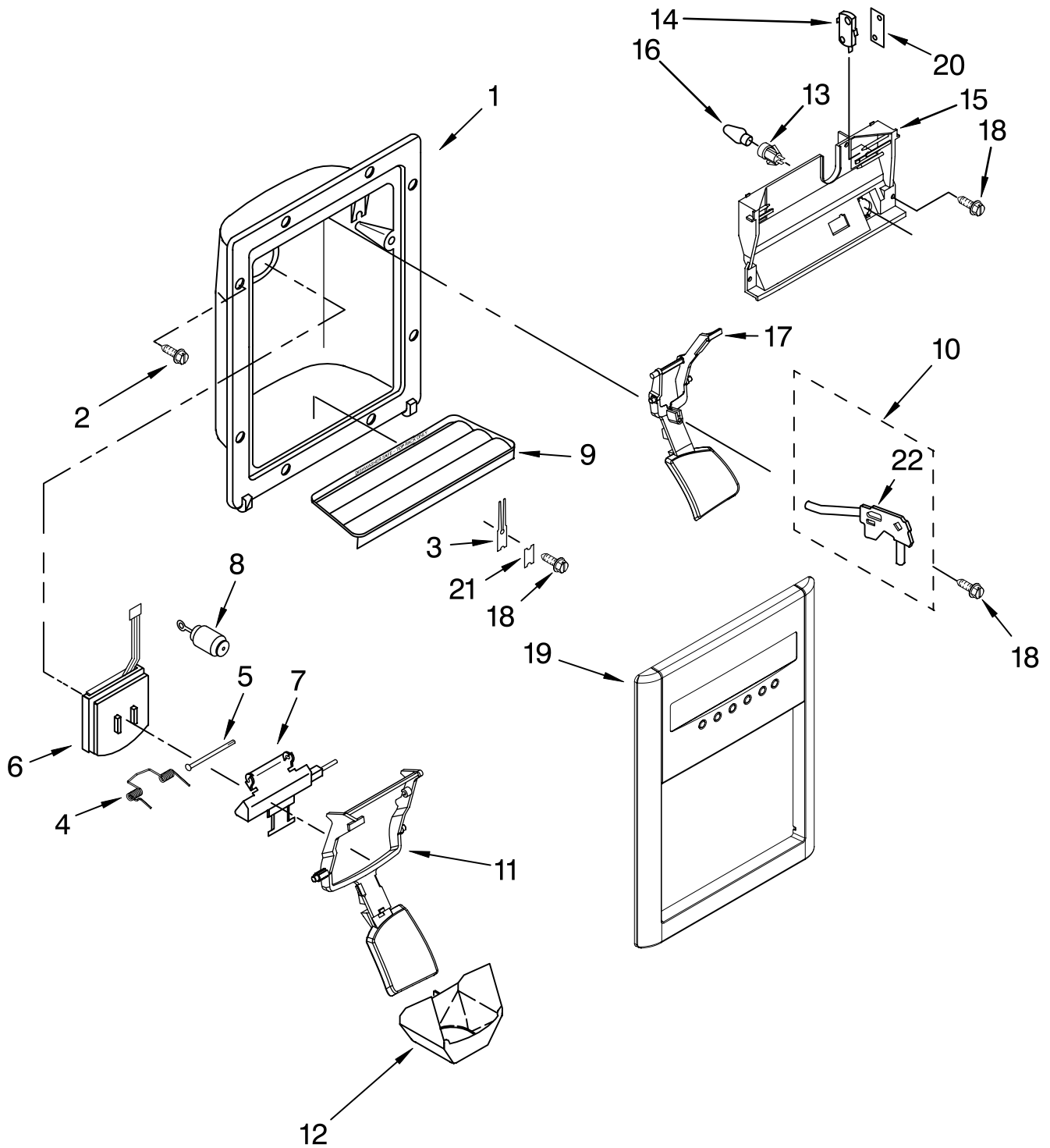
FREEZER DOOR PARTS

For Models: ED5FHAXVQ00, ED5FHAXVT00, ED5FHAXVB00, ED5FHAXVS00, ED5FHAXVY00, ED5FHAXVA00
 (White) (Biscuit) (Black) (Stainless Steel) (Mono Satina) (Mono Stainless)

Illus. No.	Part No.	DESCRIPTION
1		Freezer Door (Includes #8 And Dispenser Front Parts)
	W10141323	White
	W10141325	Biscuit
	W10141324	Black
	W10141327	Stainless Steel
	W10177270	Mono Stainless
	W10177269	Mono Satina
2		Handle, Extr
	W10127808	White
	W10127810	Biscuit
	W10127809	Black
	W10127811	Stainless, All
3	2255411	Clip
4	W10167528	Dispenser Harness
5	2154473	Connector
6	W10155511	Screw (4)
7		Door Gasket, Magnetic
	2221303	Mist Beige
	2221314	Black
	2326339	Apollo Grey
8		Thimble-Top
	2301049	For White, Black, Biscuit and Stainless VCM Models
	2308091	For Stainless Steel Model
9	2219982	Trim, Door Shelf
10	2182179	Door Closer, Upper Cam
11	489420	Screw
12		Bracket, Door Stop
	2323534	Chrome
	2323534B	Black
13	2171157K	Trivet-FC
14	3400012	Screw
15	488500	Screw
16		Handle, Endcap
	W10127813	White
	W10127815	Biscuit
	W10127814	Black
	W10152864	Stainless, All

DISPENSER FRONT PARTS

For Models: ED5FHAXVQ00, ED5FHAXVT00, ED5FHAXVB00, ED5FHAXVS00, ED5FHAXVY00, ED5FHAXVA00
(White) (Biscuit) (Black) (Stainless Steel) (Mono Satina) (Mono Stainless)



FOR ORDERING INFORMATION REFER TO PARTS PRICE LIST

DISPENSER FRONT PARTS

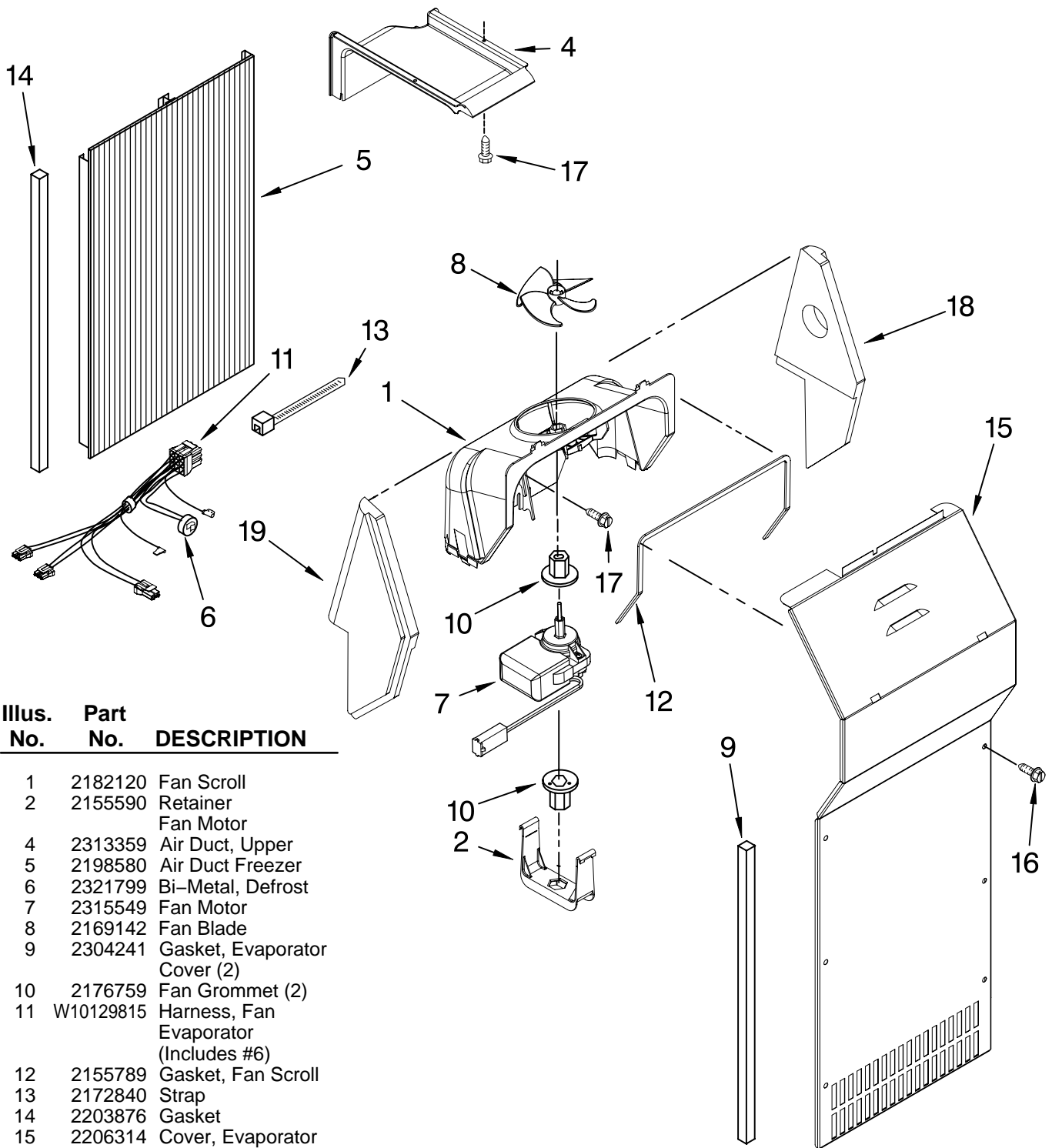
For Models: ED5FHAXVQ00, ED5FHAXVT00, ED5FHAXVB00, ED5FHAXVS00, ED5FHAXVY00, ED5FHAXVA00
 (White) (Biscuit) (Black) (Stainless Steel) (Mono Satina) (Mono Stainless)

Illus. No.	Part No.	DESCRIPTION
1		Housing, Dispenser (Not Serviced)
2	3196537	Screw
3	2194719	Retainer, Levers
4	2304772	Spring, Torsion
5	2196195	Pin
6	2180353	Door, Ice
7	2304355	Door Mechanism Assembly
8	2205686	Mechanism Delay
9		Grille, Overflow
	2206670W	White
	2206670T	Biscuit
	2206670B	Black
	W10171993	Stainless
10	2304317	Water Fitting Assembly (Includes Water Tube)
11		Lever, Ice Dispenser
	W10152853	White
	W10152855	Biscuit
	W10152854	Black
	W10155161	Apollo Grey
12	2180224	Guide, Ice
13	2180200	Lamp Holder
14	2162361	Switch
15	2183771	Bracket, Control
16	3406124	Bulb, Light
17		Lever, Water Dispenser
	W10152858	White
	W10152860	Biscuit
	W10152859	Black
	W10155162	Apollo Grey
18	489000	Screw
19		Front Cover Assembly
	W10157646	White
	W10157648	Biscuit
	W10157647	Black
	W10157650	Stainless, Mono Satina (SS)
	W10172006	Mono Stain (NO)
20	625834	Spacer, Switch (2)
21	2195051	Strain Relief
22	2304673	Bracket, Dispenser

FOR ORDERING INFORMATION REFER TO PARTS PRICE LIST

AIR FLOW PARTS

For Models: ED5FHAXVQ00, ED5FHAXVT00, ED5FHAXVB00, ED5FHAXVS00, ED5FHAXVY00, ED5FHAXVA00
 (White) (Biscuit) (Black) (Stainless Steel) (Mono Satina) (Mono Stainless)

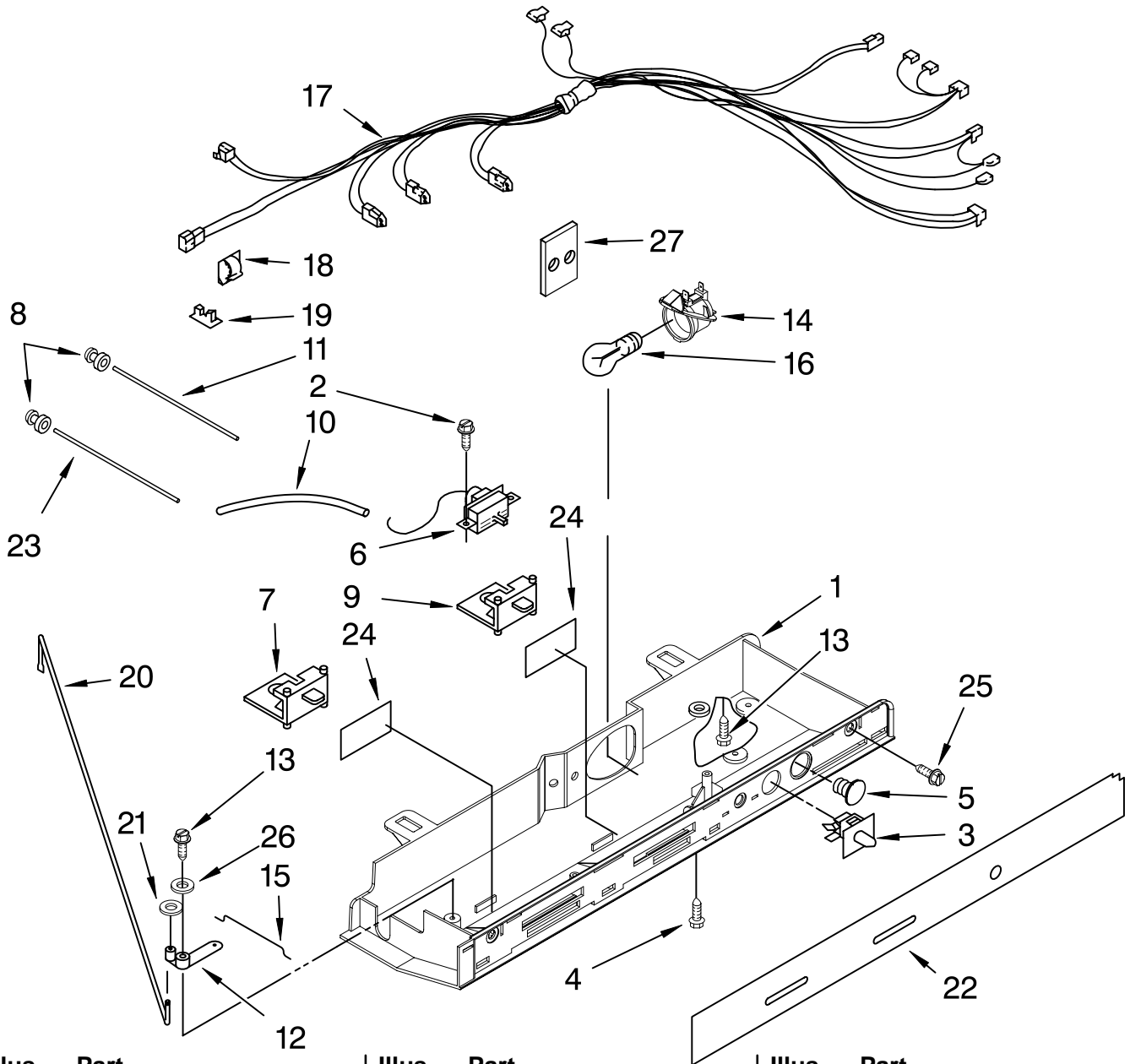


Illus. No.	Part No.	DESCRIPTION
1	2182120	Fan Scroll
2	2155590	Retainer
4	2313359	Air Duct, Upper
5	2198580	Air Duct Freezer
6	2321799	Bi-Metal, Defrost
7	2315549	Fan Motor
8	2169142	Fan Blade
9	2304241	Gasket, Evaporator Cover (2)
10	2176759	Fan Grommet (2)
11	W10129815	Harness, Fan Evaporator (Includes #6)
12	2155789	Gasket, Fan Scroll
13	2172840	Strap
14	2203876	Gasket
15	2206314	Cover, Evaporator (Includes #9)
16	8281159	Screw (6)
17	489478	Screw
18	2203595	Support, R.S.
19	2203596	Support, L.S.

FOR ORDERING INFORMATION REFER TO PARTS PRICE LIST

CONTROL PARTS

For Models: ED5FHAXVQ00, ED5FHAXVT00, ED5FHAXVB00, ED5FHAXVS00, ED5FHAXVY00, ED5FHAXVA00
 (White) (Biscuit) (Black) (Stainless Steel) (Mono Satina) (Mono Stainless)



Illus. No.	Part No.	DESCRIPTION
1	2181737	Control Box
2	489214	Screw (2)
3	2149705	Switch, Light
4	489398	Screw (2)
5	940014	Hole Plug
6	2315562	Thermostat
7	2181741	Slide, Air Control
8	2172906	Grommet, Light Bar (4)
9	2161466	Slide, Thermostat
10	2196001	Tube Barrier

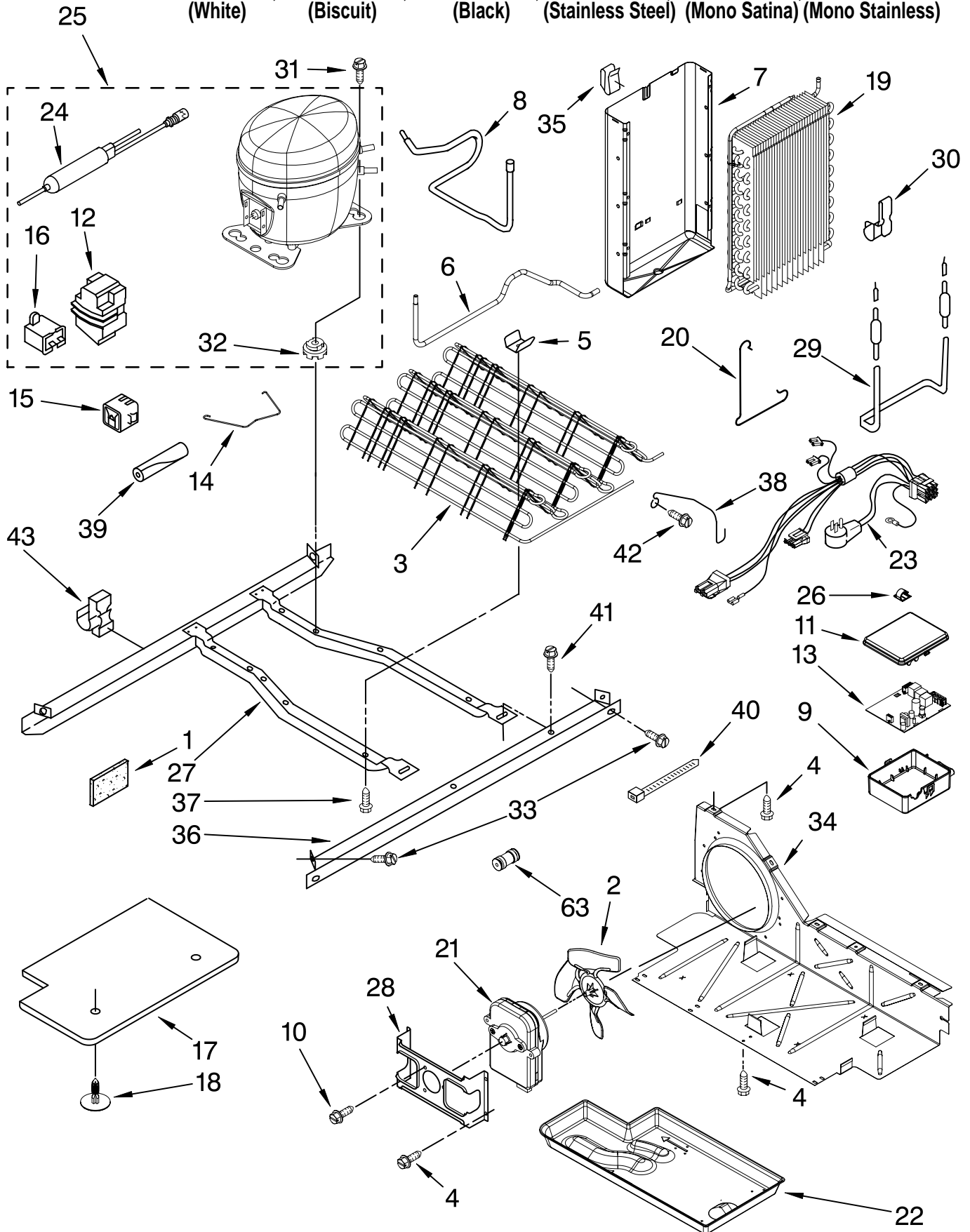
Illus. No.	Part No.	DESCRIPTION
11	2179920	Light Bar (RC)
12	2161306	Pivot Arm
13	627068	Screw
14	2162085	Light Socket
15	2161307	Connecting Rod, Short
16	2255743	Light Bulb
17	2206511	Control Box Harness
18	1115374	Clip, Wiring

Illus. No.	Part No.	DESCRIPTION
19	1115375	Clip, Wiring
20	2161308	Connecting Rod
21	489391	Fastener, Push-On
22	W10176424	Escutcheon, Control Box
23	2179921	Light Bar (FC)
24	2175513	Window
25	489084	Screw (2)
26	489203	Spring Washer
27	2172931	Heat Shield

FOR ORDERING INFORMATION REFER TO PARTS PRICE LIST

UNIT PARTS

For Models: ED5FHAXVQ00, ED5FHAXVT00, ED5FHAXVB00, ED5FHAXVS00, ED5FHAXVY00, ED5FHAXVA00
 (White) (Biscuit) (Black) (Stainless Steel) (Mono Satina) (Mono Stainless)



FOR ORDERING INFORMATION REFER TO PARTS PRICE LIST

UNIT PARTS

For Models: ED5FHAXVQ00, ED5FHAXVT00, ED5FHAXVB00, ED5FHAXVS00, ED5FHAXVY00, ED5FHAXVA00
 (White) (Biscuit) (Black) (Stainless Steel) (Mono Satina) (Mono Stainless)

Illus. No.	Part No.	DESCRIPTION	Illus. No.	Part No.	DESCRIPTION	Illus. No.	Part No.	DESCRIPTION
1	2169104	Insulation, Sound	24		Drier			
2	12825802	Fan, Blade		2319825	Production			
3	W10121484	Condenser Assembly		2317845	Service			
4	489464	Screw	25	2320138	Compressor			
5	2216914	Clip, Condenser			(Includes Items			
6	2161341	Tube, Condenser to Heat Loop			12, 13, 17, 18, 19 & 27)			
7	2256150	Heat Shield And Drain Pan			(Also Order 876765 Tube Kit)			
8	2205765	Tube Suction	26	1115374	Clip, Wiring			
9	2326982	Control Box	27	2304904	Unit Mounting Frame			
10	8533993	Screw	28	2181929	Bracket, Fan Motor			
11	2255624	Box Cover	29	2323198	Heater, Defrost			
12	4387731	Cover (Service Only)	30	2304287	Clip, Heater			
13	2322572	Elec. Control	31	489373	Screw			
14	2223314	Clip, Retaining	32		Grommet (4)			
15	2304885	Start-Device, Combination (Start Relay and Overload)		1100826	Production			
				4387558	Service			
16		Capacitor	33	489340	Screw			
	2169373	Production	34	2196202	Air Baffle			
	2264017	Service	35	2155547	Clip, Heat			
17	2304899	Unit Cover, Bottom	36	2305374	Unit Mounting Rail			
18	489396	Clip	37	8281232	Screw			
19	2188823	Evaporator	38	2186495	Guard, Fan			
20	2161324	Clip	39	2161302	Sleeve			
21	2188874	Motor, Fan	40	2172840	Wire Tie			
22	1105523	Tray, Evaporator	41	489427	Screw			
23	W10163019	Harness, Unit	42	489478	Screw			
			43	W10169512	Clip, Wire & Tube			
			63	2320322	Union			

Following Parts Not Illustrated and Optional Parts Not Included

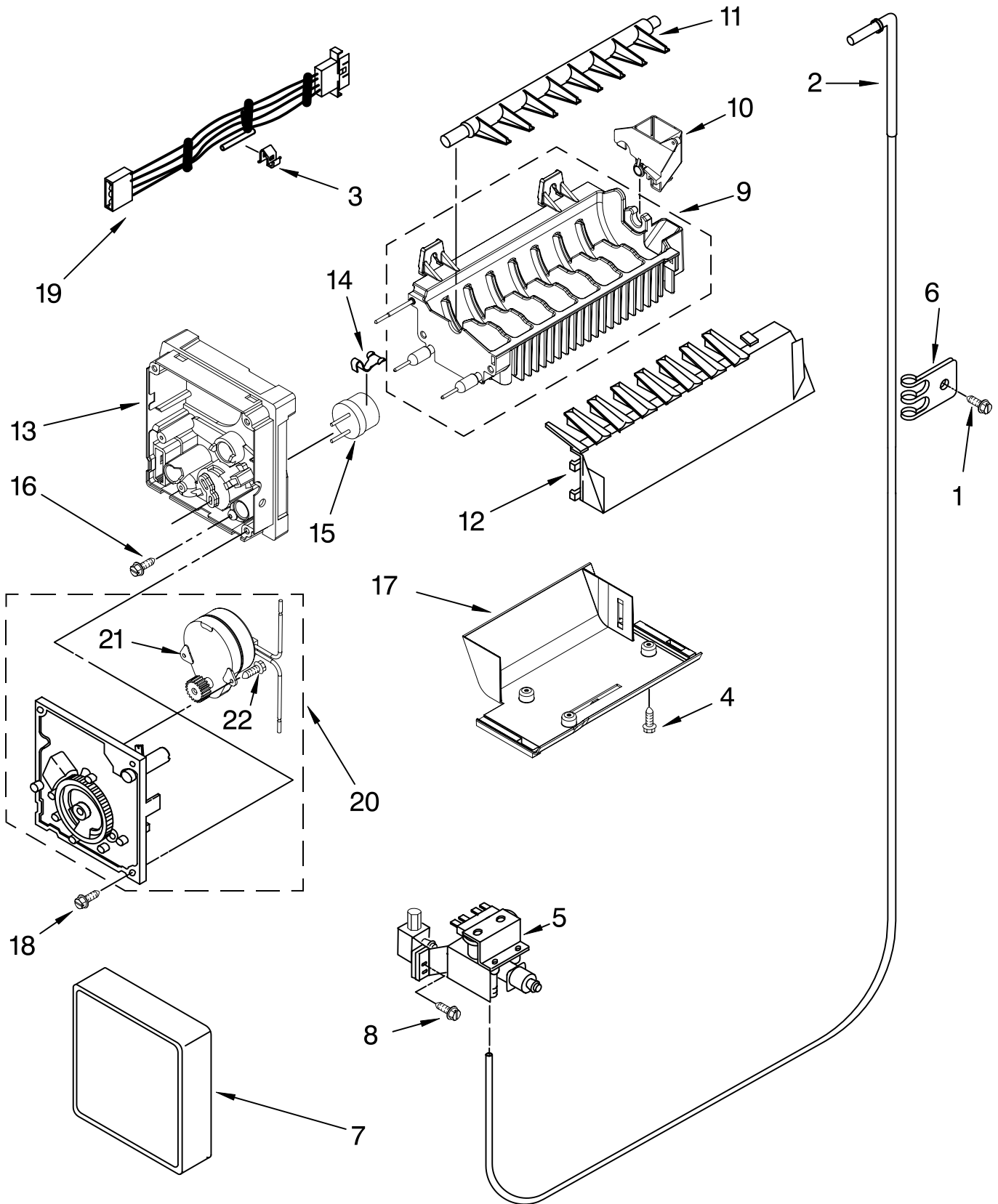
978025	Valve, Access (1/4")
978026	Valve, Access (5/16")
978027	Valve, Access (3/8")
978028	Valve, Access (1/2")
978029	Valve, Access (5/8")
978030	Valve, Access (3/4")
876764	Valve, Access (3/16")

REFRIGERANT CHARGE

5.0 oz.
(R-134A)

ICEMAKER PARTS

For Models: ED5FHAXVQ00, ED5FHAXVT00, ED5FHAXVB00, ED5FHAXVS00, ED5FHAXVY00, ED5FHAXVA00
(White) (Biscuit) (Black) (Stainless Steel) (Mono Satina) (Mono Stainless)



FOR ORDERING INFORMATION REFER TO PARTS PRICE LIST

ICEMAKER PARTS

For Models: ED5FHAXVQ00, ED5FHAXVT00, ED5FHAXVB00, ED5FHAXVS00, ED5FHAXVY00, ED5FHAXVA00
 (White) (Biscuit) (Black) (Stainless Steel) (Mono Satina) (Mono Stainless)

Illus. No.	Part No.	DESCRIPTION
1	489084	Screw
2	2303216	Fitting, Water Tube
3	628379	Clip, Fuse
4	489478	Screw
5	2315534	Filter Valve Asm
6	2208136	Clip, Tube
7	2174358	Cover
8	488649	Screw
9	W10122527	Mold & Heater Assembly (Also Order 542638 Silicone Grease)
10	2304969	Cup-Water Fill
11	627843	Ejector
12	2198598	Ice Stripper
13	2194712	Support
14	2315522	Retainer, Thermostat
15	627985	Thermostat (Also Order 542369 Cement Alumilastic)
16	8533917	Screw
17	2303583	Bracket, Ice Maker Mounting
18	489276	Screw
19	2187467	Harness, Wiring
20	626691	Module Assembly (Includes Items 21 & 22)
21	626683	Motor
22	489136	Screw
100	W10122502	Icemaker Assembly

OPTIONAL PARTS (NOT INCLUDED)

For Models: ED5FHAXVQ00, ED5FHAXVT00, ED5FHAXVB00, ED5FHAXVS00, ED5FHAXVY00, ED5FHAXVA00
 (White) (Biscuit) (Black) (Stainless Steel) (Mono Satina) (Mono Stainless)

Illus. Part No. No. DESCRIPTION	Illus. Part No. No. DESCRIPTION	Illus. Part No. No. DESCRIPTION
<p><u>PAINT, BULK (1 qt.)</u></p> <p>*350942 Primer, White *350939 Black *350930 White *4392901 Biscuit *8171357 Graphite</p> <p><u>PAINT, TOUCH-UP (1/2oz.)</u></p> <p>72017 White 4392899 Biscuit 72032 Black 80051 Graphite</p> <p>*Important: The spray paint is not to be used where the paint may make contact with the door gaskets.</p>	<p><u>PAINT, BULK (1 qt.)</u></p> <p>799340 Black 799344 White 4392900 Biscuit 8171358 Graphite</p> <p><u>Miscellaneous</u></p> <p>8129 Coil Brush 212643 Sealer, Gum (4 Feet) 479502 Tape, Vinyl (3/4 x 108") 505587 Sealer, Mastic (1 Qt.) 503695 Cork, Sealer (1/4 Pound) 542638 Grease, Silicone (1/2 Oz.) 542639 Cement, Alumilastic (1-1/4 Oz.) 799833 Kit, Evaporator Repair (Aluminum Epoxy) 833938 Kit, Terminal Connector</p>	<p><u>TORX SCREW WRENCH</u></p> <p>1117510 Torx Key</p>

FOR ORDERING INFORMATION REFER TO PARTS PRICE LIST