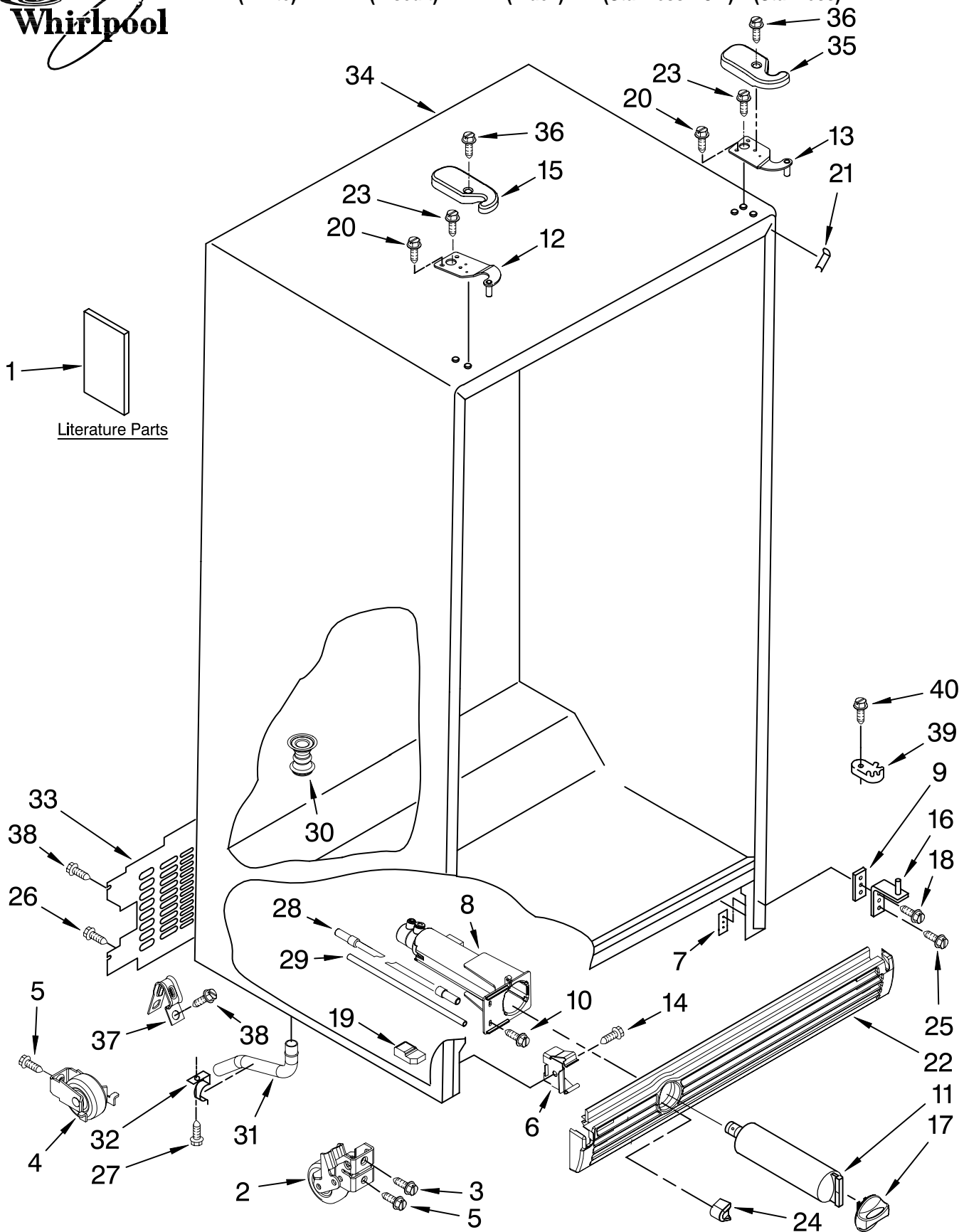


CABINET PARTS

REFRIGERATOR

For Models: ED2FHEXVQ00, ED2FHEXVT00, ED2FHEXVB00, ED2FHEXVL00, ED2FHEXVS00
(White) (Biscuit) (Black) (Stainless VCM) (Stainless)



Literature Parts

FOR ORDERING INFORMATION REFER TO PARTS PRICE LIST

CABINET PARTS

For Models: ED2FHEXVQ00, ED2FHEXVT00, ED2FHEXVB00, ED2FHEXVL00, ED2FHEXVS00
 (White) (Biscuit) (Black) (Stainless VCM) (Stainless)

Illus. No.	Part No.	DESCRIPTION	Illus. No.	Part No.	DESCRIPTION	Illus. No.	Part No.	DESCRIPTION
1		Literature Parts	16	2217075	Hinge Bottom (2)	25	3400103	Screw (2)
	2309541	Use & Care Guide	17		Cap, Water	26	489290	Screw
	W10158908	Service & Wiring Sheet			Filter	27	489464	Screw
	W10130282	Energy Label		2260518W	White	28	2304697	Tube, Filter Inlet
	2261037	Instruction Sheet, Door Removal		2260518T	Biscuit	29	2304708	Tube, Filter Outlet
	628370	Modular Icemaker Service Sheet	18	3400113	Screw (4)	30	940139	Drain Fitting
2	2174748	Front Roller (2)	19	2260519	Block, Housing Support	31	1108438	Extension Tube
3	3400517	Screw	20	3400858	Screw	32	1108439	Clip, Drain Tube
4	2196236	Roller (Rear) (2)	21		Filler, Wrapper	33	2204202	Cover, Unit
5	489427	Screw		2201014	White	34		Cabinet (Not A Serviceable Part)
6	2155013	Clip, Grille		2200926	Biscuit	35		Hinge Cover
7	2304249	Plate, Screw		2201017	Black		2203408W	White
8	2260507	Housing, Water Filter	22		Grille		2203408T	Biscuit
9	2209697	Shim		2260501W	White		2203408B	Black
10	489500	Screw (2)		2260501T	Biscuit	36	8281227	Screw
11	4396841	Water Filter	23	489497	Screw	37	549193	Clamp, Service Cord
12	2203770	Hinge Top (FC)	24		Button, Water Filter	38	489084	Screw
13	2203771	Hinge, Top (RC)		2260503W	White	39	2155311	Door Closer, Lower Cam (2)
14	488500	Screw		2260503T	Biscuit	40	489483	Screw (2)
15		Hinge Cover		2260503B	Black			
	2203407W	White						
	2203407T	Biscuit						
	2203407B	Black						

FOR ORDERING INFORMATION REFER TO PARTS PRICE LIST

REFRIGERATOR LINER PARTS

For Models: ED2FHEXVQ00, ED2FHEXVT00, ED2FHEXVB00, ED2FHEXVL00, ED2FHEXVS00

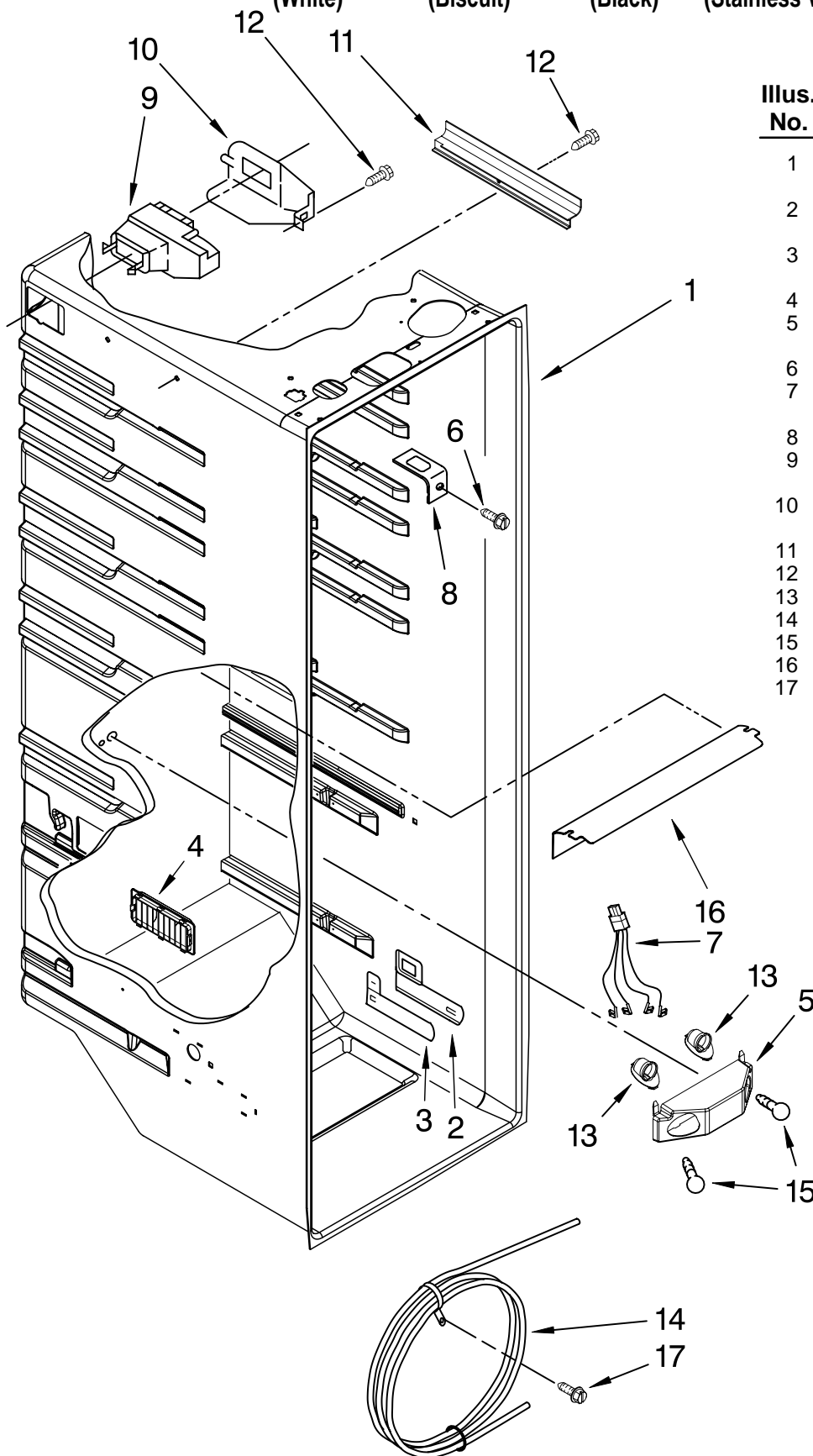
(White)

(Biscuit)

(Black)

(Stainless VCM)

(Stainless)

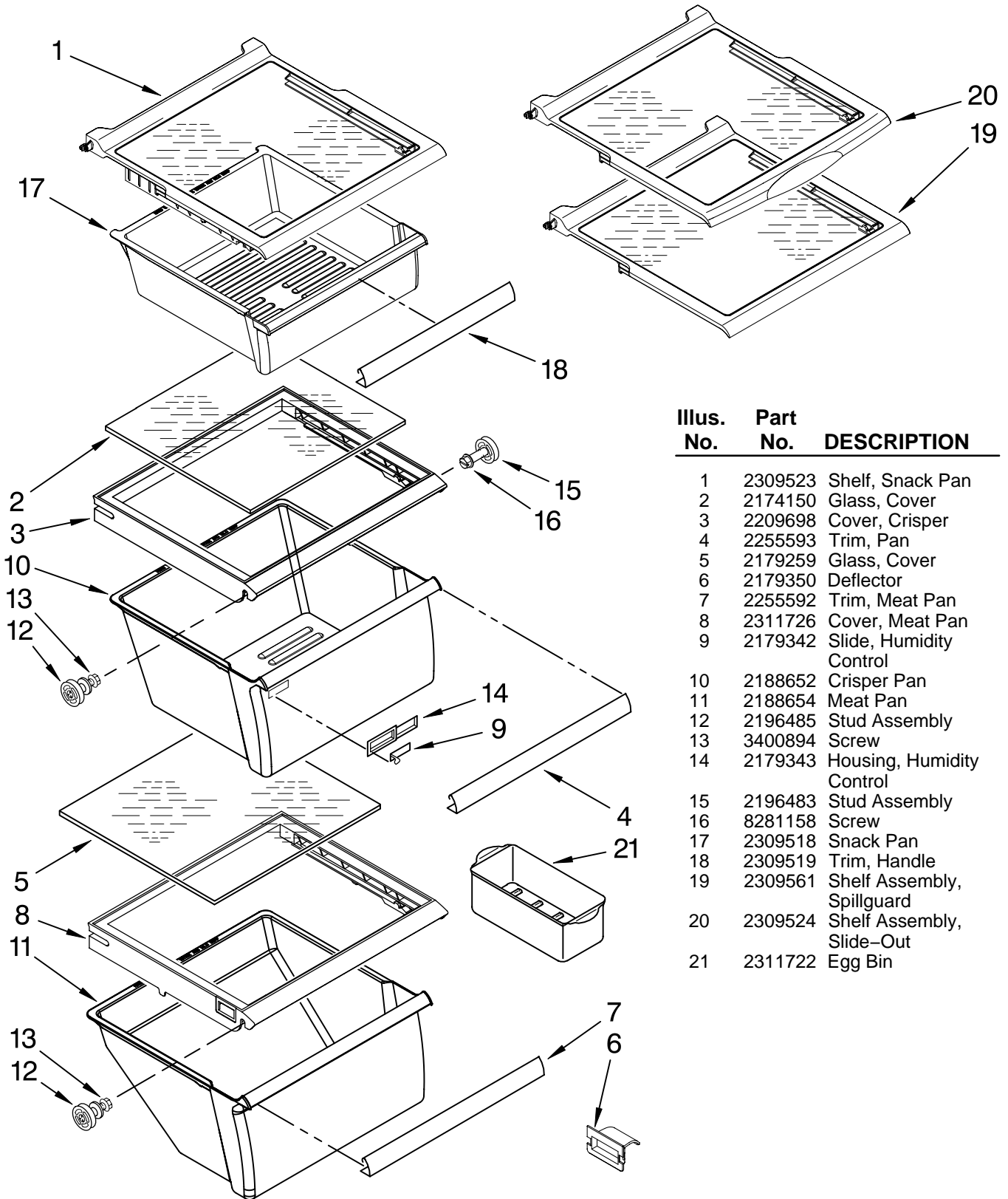


Illus. No.	Part No.	DESCRIPTION
1		Liner (Not A Serviceable Part)
2	2194744	Escutcheon, Meat Pan Control
3	2182757	Slide, Meat Pan Control
4	2257741	Louver
5	2256035	Bracket, Dual Crisper Light
6	489290	Screw
7	2311637	Wire Harness, Crisper Light
8	1123919	Bracket, Retainer
9	2209753	Air Diffuser Assembly
10	2152019	Air Diffuser Cover
11	2150331	Cover, Conduit
12	486298	Screw
13	2162085	Socket
14	2256126	Reservoir
15	527949	Light Bulb
16	2209769	Light Lens
17	488280	Screw (2)

FOR ORDERING INFORMATION REFER TO PARTS PRICE LIST

REFRIGERATOR SHELF PARTS

For Models: ED2FHEXVQ00, ED2FHEXVT00, ED2FHEXVB00, ED2FHEXVL00, ED2FHEXVS00
 (White) (Biscuit) (Black) (Stainless VCM) (Stainless)

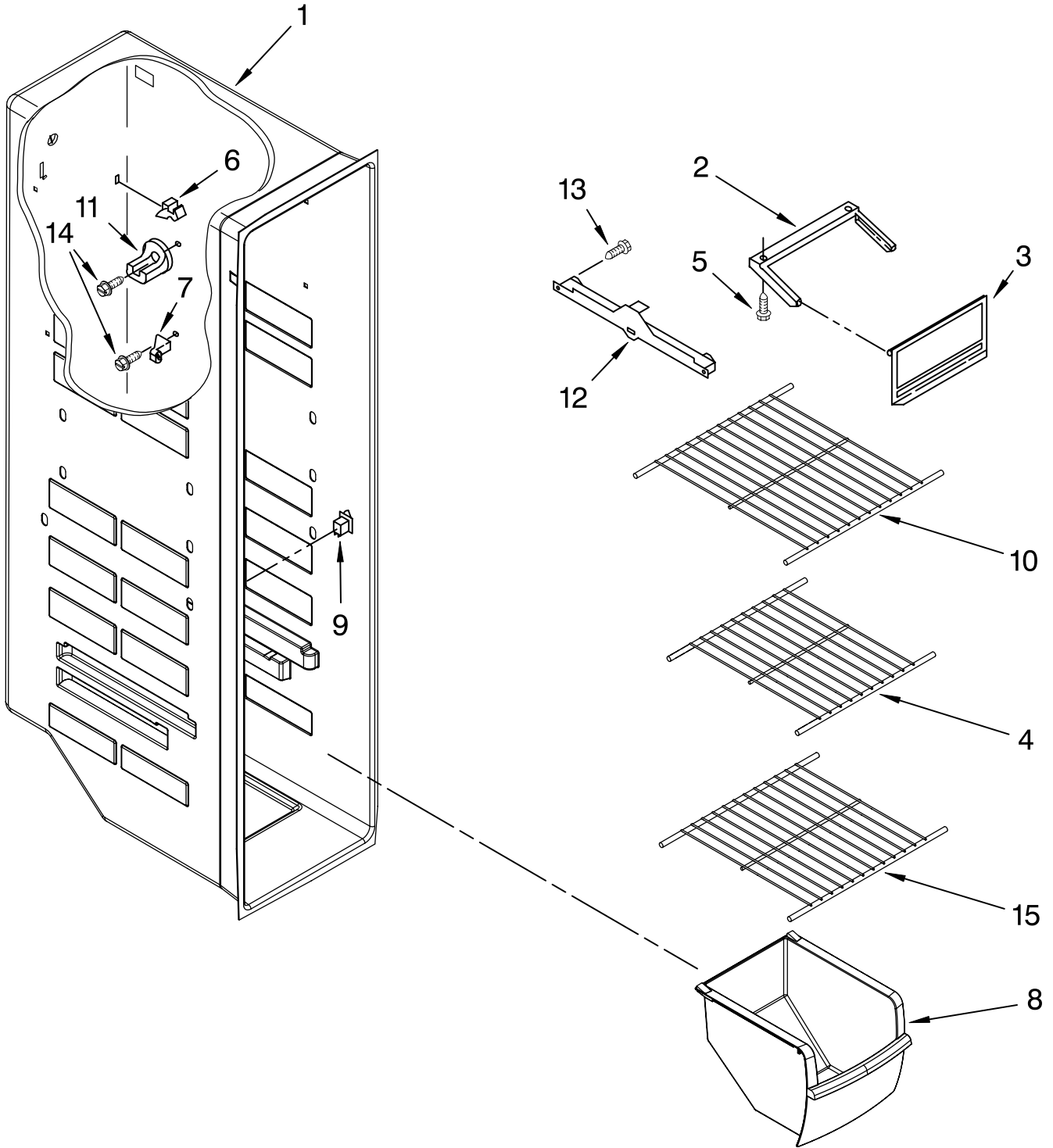


Illus. No.	Part No.	DESCRIPTION
1	2309523	Shelf, Snack Pan
2	2174150	Glass, Cover
3	2209698	Cover, Crisper
4	2255593	Trim, Pan
5	2179259	Glass, Cover
6	2179350	Deflector
7	2255592	Trim, Meat Pan
8	2311726	Cover, Meat Pan
9	2179342	Slide, Humidity Control
10	2188652	Crisper Pan
11	2188654	Meat Pan
12	2196485	Stud Assembly
13	3400894	Screw
14	2179343	Housing, Humidity Control
15	2196483	Stud Assembly
16	8281158	Screw
17	2309518	Snack Pan
18	2309519	Trim, Handle
19	2309561	Shelf Assembly, Spillguard
20	2309524	Shelf Assembly, Slide-Out
21	2311722	Egg Bin

FOR ORDERING INFORMATION REFER TO PARTS PRICE LIST

FREEZER LINER PARTS

For Models: ED2FHEXVQ00, ED2FHEXVT00, ED2FHEXVB00, ED2FHEXVL00, ED2FHEXVS00
(White) (Biscuit) (Black) (Stainless VCM) (Stainless)



FOR ORDERING INFORMATION REFER TO PARTS PRICE LIST

FREEZER LINER PARTS

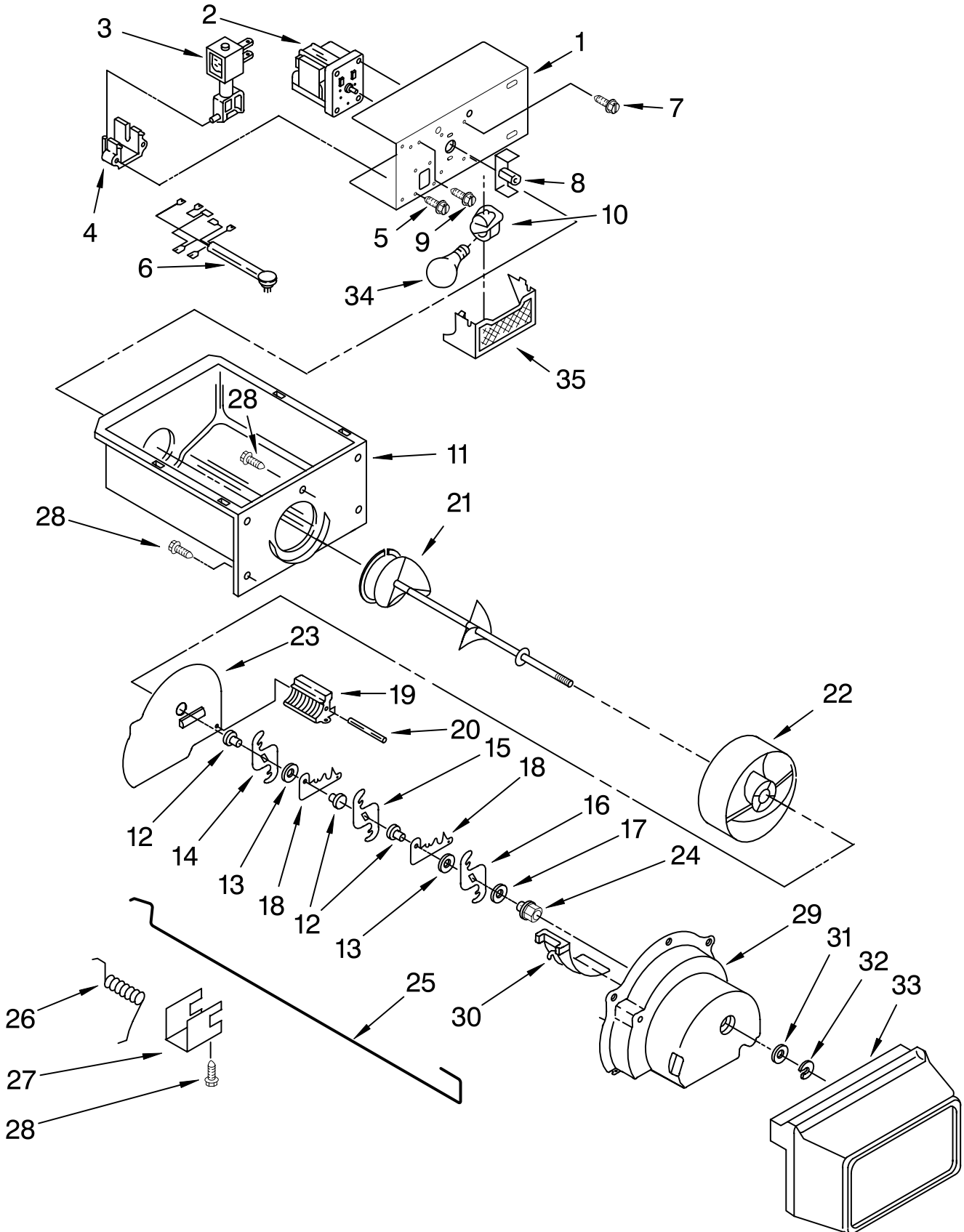
For Models: ED2FHEXVQ00, ED2FHEXVT00, ED2FHEXVB00, ED2FHEXVL00, ED2FHEXVS00
(White) (Biscuit) (Black) (Stainless VCM) (Stainless)

<u>Illus.</u>	<u>Part</u>	<u>DESCRIPTION</u>
<u>No.</u>	<u>No.</u>	
1		Liner (Not A Seviceable Part)
2	1115380	Slide, Ice Door
3	2171712	Door, Ice Compartment
4	2309634	Shelf, Wire
5	489478	Screw
6	842534	Clip, Air Duct (2)
7	2196206	Support, Stud (4)
8	2309758	Freezer Bin
9	1115373	Switch, Rocker Arm
10	2309633	Shelf, Wire
11	2196206	Stud, Rear
12		Slide, Container
	1119237	Left Side
	1119293	Right Side
13	489100	Screw (4)
14	3400893	Screw
15	2309632	Shelf, Wire

FOR ORDERING INFORMATION REFER TO PARTS PRICE LIST

MOTOR AND ICE CONTAINER PARTS

For Models: ED2FHEXVQ00, ED2FHEXVT00, ED2FHEXVB00, ED2FHEXVL00, ED2FHEXVS00
 (White) (Biscuit) (Black) (Stainless VCM) (Stainless)



FOR ORDERING INFORMATION REFER TO PARTS PRICE LIST

MOTOR AND ICE CONTAINER PARTS

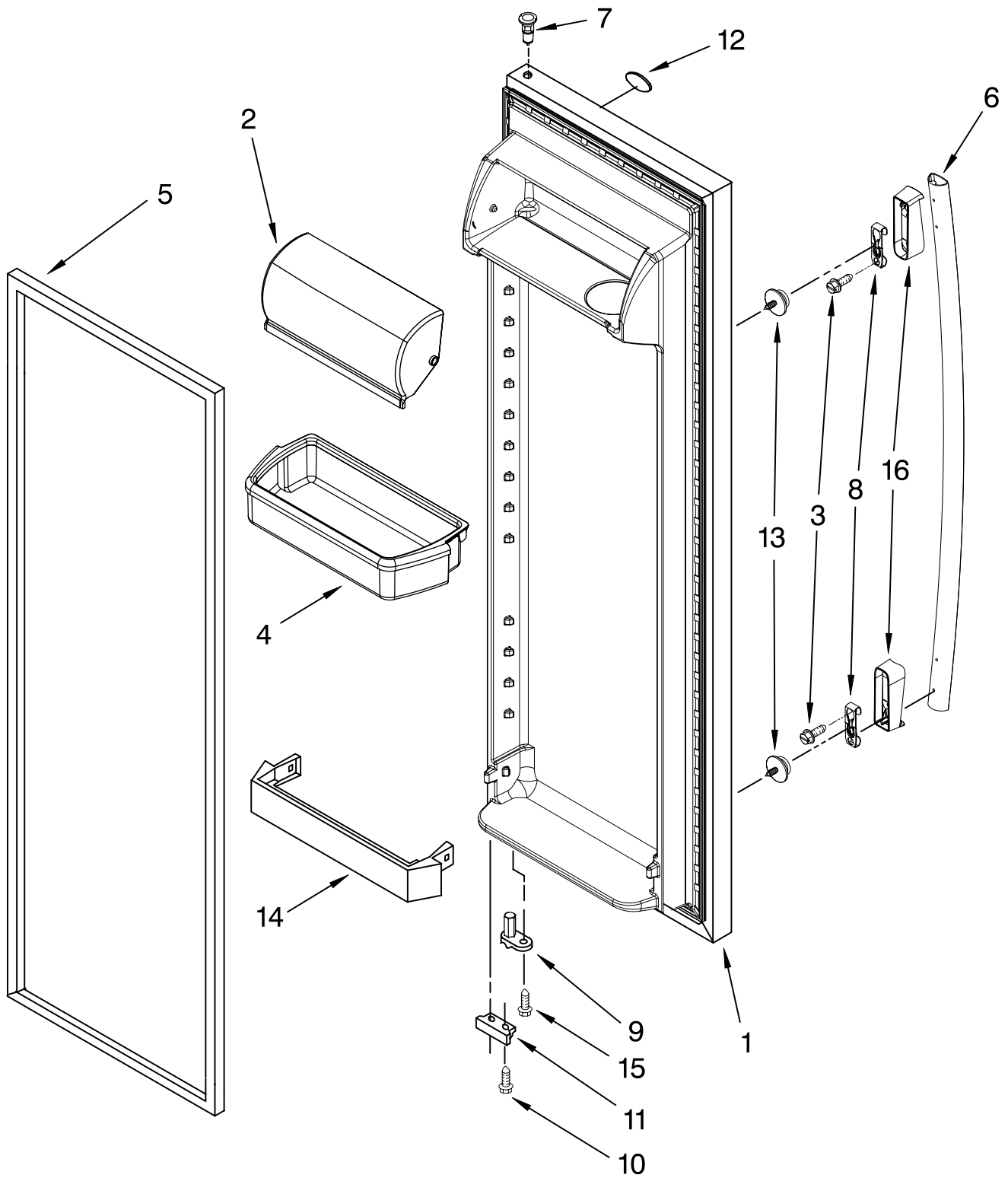
For Models: ED2FHEXVQ00, ED2FHEXVT00, ED2FHEXVB00, ED2FHEXVL00, ED2FHEXVS00
 (White) (Biscuit) (Black) (Stainless VCM) (Stainless)

Illus. No.	Part No.	DESCRIPTION
1	2183728	Bracket, Motor
2	2188385	Motor, Dispenser
3	2152713	Solenoid Assembly
4	2149100	Guide, Solenoid
5	489355	Screw (2)
6	2311639	Wiring Assembly, Ice Dispenser
7	489399	Screw (6)
8	2205716	Coupling, Motor
9	489478	Screw
10	2162085	Socket, Light
11	2196089	Ice Container
12	1119005	Spacer, Step (3)
13	1119007	Spacer, Flat (2)
14	2257022	Blade, Rotary
15	2257023	Blade, Rotary
16	2257024	Blade, Rotary
17	489235	Washer, Plain
18	1119009	Blade, Fixed (2)
19	2157405	Block, Blade
20	489229	Roll Pin
21	2196295	Auger
22	2209781	Drum
23	2171682	Floating Baffle
24	1119018	Nut, Bearing
25	2155231	Control Arm
26	1119020	Spring, Return
27	1119021	Retainer Clip, Rod
28	488886	Screw
29	2180348	Housing, Crusher
30	1119017	Deflector, Ice
31	489234	Washer, Plain
32	489236	Retainer Ring
33	2171709	Front Cover, Ice Container
34	2311792	Light Bulb
35	2171706	Light Lens, Dispenser
100	2209779	Ice Container (Complete)

FOR ORDERING INFORMATION REFER TO PARTS PRICE LIST

REFRIGERATOR DOOR PARTS

For Models: ED2FHEXVQ00, ED2FHEXVT00, ED2FHEXVB00, ED2FHEXVL00, ED2FHEXVS00
(White) (Biscuit) (Black) (Stainless VCM) (Stainless)



FOR ORDERING INFORMATION REFER TO PARTS PRICE LIST

REFRIGERATOR DOOR PARTS

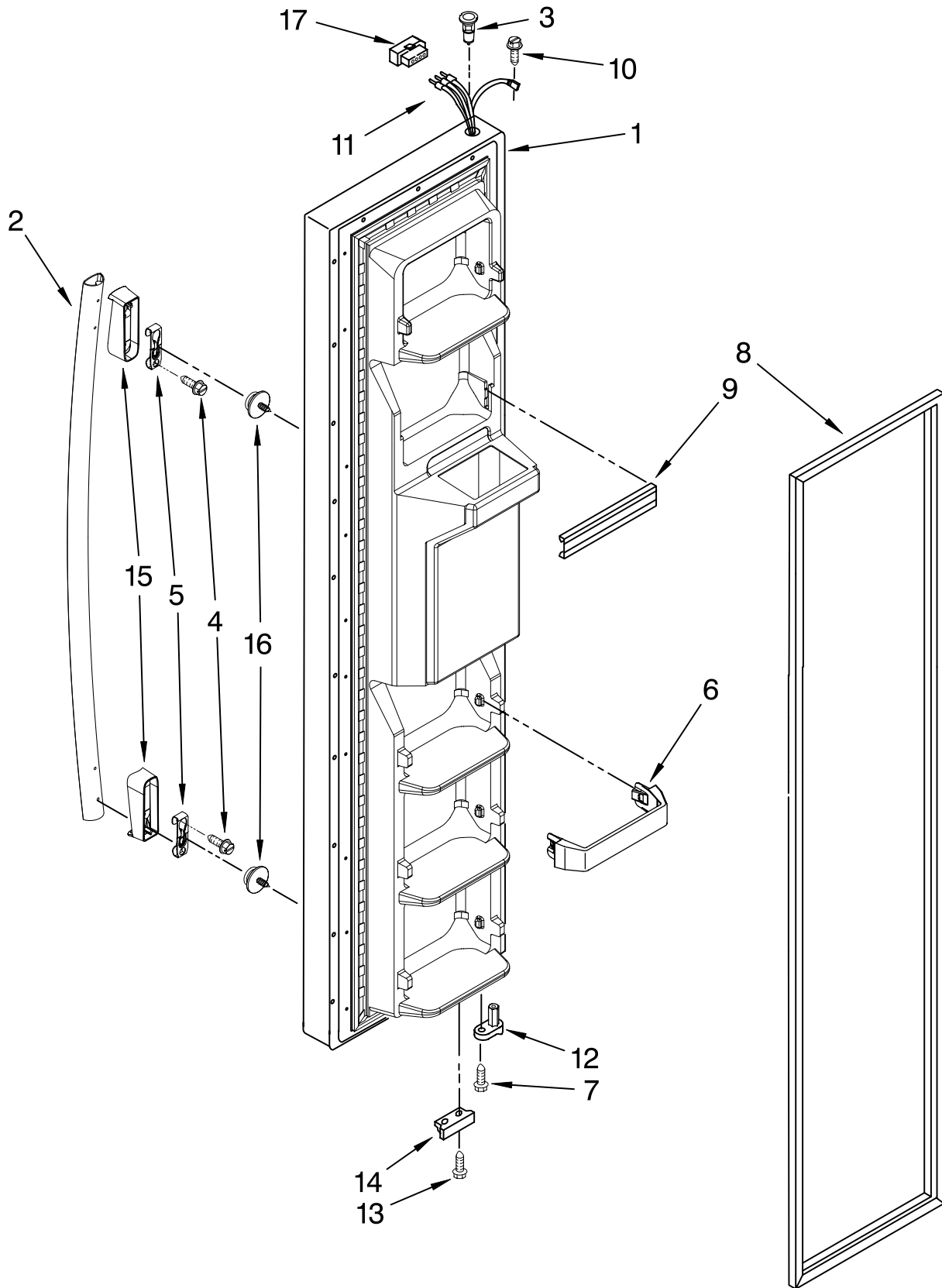
For Models: ED2FHEXVQ00, ED2FHEXVT00, ED2FHEXVB00, ED2FHEXVL00, ED2FHEXVS00
 (White) (Biscuit) (Black) (Stainless VCM) (Stainless)

Illus. No.	Part No.	DESCRIPTION
1		Refrigerator Door (Includes Item 5)
	2219033W	White
	2219033T	Biscuit
	2219033B	Black
	2219033L	Stainless VCM
	2219033S	Stainless Steel
2	2256101	Door, Compartment
3	W10129563	Screw
4	2304235	Door Bin (3)
5		Door Gasket, Magnetic
	2309600	Mist Beige
	2309653	Black
6		Handle (Includes #3)
	W10127765	White
	W10127767	Biscuit
	W10127766	Black
	W10127768	Stainless Steel
7	2308091	Thimble-Top
8	2255411	Clip
9	2182178	Door Closer, Upper Cam
10	489420	Screw
11		Bracket, Door Stop
	2206629	Chrome
	2206629B	Black
12	2255121	Nameplate
13	W10155511	Screw
14	2156022	Trivet
15	3400012	Screw
16		Endcap
	W10127769	White
	W10127771	Biscuit
	W10127770	Black
	W10152862	Nickel Alloy

FOR ORDERING INFORMATION REFER TO PARTS PRICE LIST

FREEZER DOOR PARTS

For Models: ED2FHEXVQ00, ED2FHEXVT00, ED2FHEXVB00, ED2FHEXVL00, ED2FHEXVS00
(White) (Biscuit) (Black) (Stainless VCM) (Stainless)



FOR ORDERING INFORMATION REFER TO PARTS PRICE LIST

FREEZER DOOR PARTS

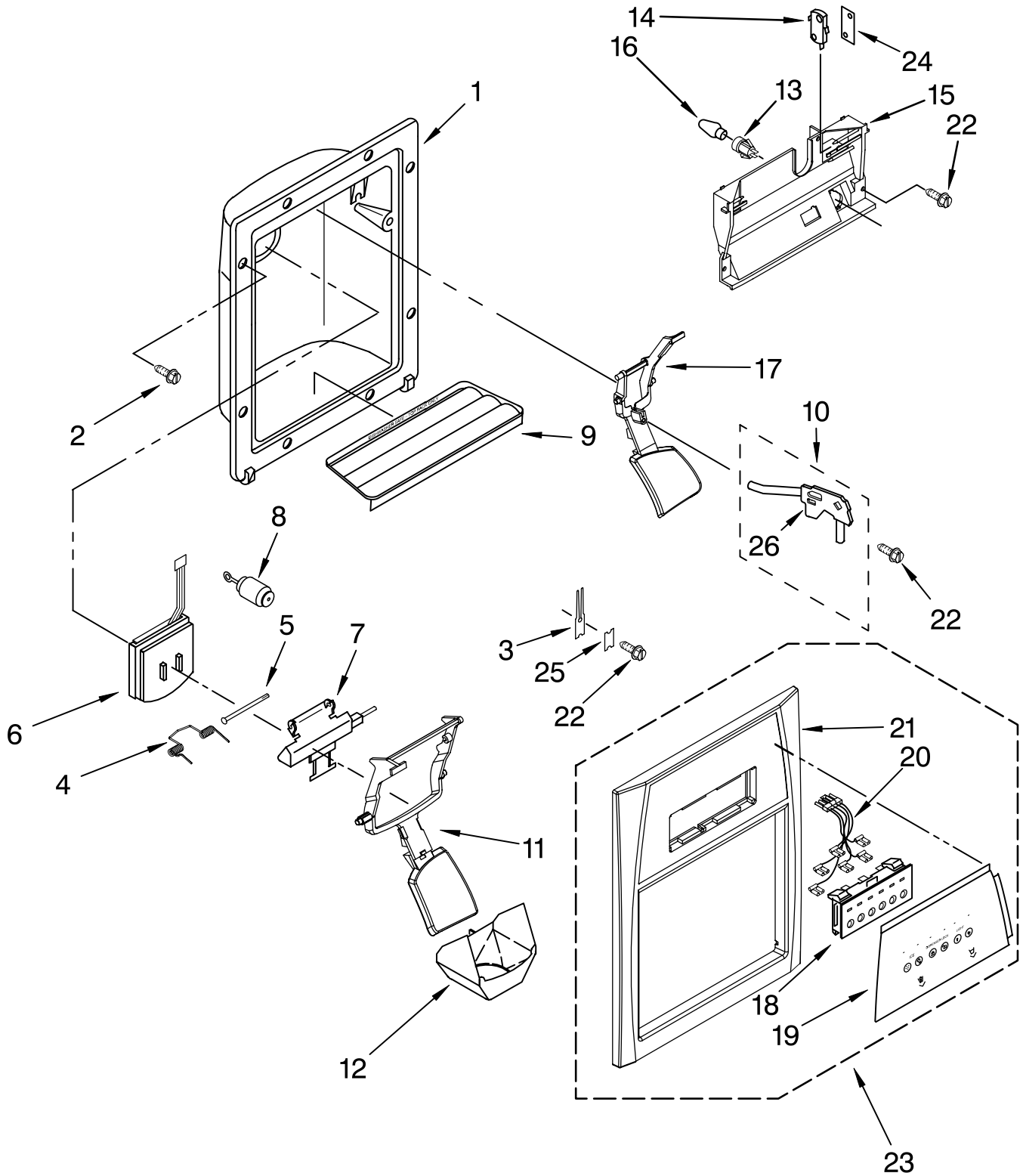
For Models: ED2FHEXVQ00, ED2FHEXVT00, ED2FHEXVB00, ED2FHEXVL00, ED2FHEXVS00
 (White) (Biscuit) (Black) (Stainless VCM) (Stainless)

Illus. No.	Part No.	DESCRIPTION
1		Freezer Door (Includes Item 8 And Dispenser Front Parts)
	2263772W	White
	2263772T	Biscuit
	2263772B	Black
	2263772L	Stainless VCM
	2263772S	Stainless Steel
2		Handle (Includes #4)
	W10127765	White
	W10127767	Biscuit
	W10127766	Black
3	2182181	Thimble-Top
4	W10129563	Screw
5	2255411	Clip
6	2309717	Trivet (4)
7	3400012	Screw
8		Door Gasket, Magnetic
	2309604	Mist Beige
	2309654	Black
9	2209680	Trim, Door Shelf
10	488500	Screw
11	2311642	Wire Harness
12	2182179	Door Closer, Upper Cam
13	489420	Screw
14		Bracket, Door Stop
	2206629	Chrome
	2206629B	Black
15		Endcap
	W10127769	White
	W10127771	Biscuit
	W10127770	Black
	W10152862	Nickel Alloy
16	W10155511	Screw
17	2154473	Connector

FOR ORDERING INFORMATION REFER TO PARTS PRICE LIST

DISPENSER FRONT PARTS

For Models: ED2FHEXVQ00, ED2FHEXVT00, ED2FHEXVB00, ED2FHEXVL00, ED2FHEXVS00
(White) (Biscuit) (Black) (Stainless VCM) (Stainless)



FOR ORDERING INFORMATION REFER TO PARTS PRICE LIST

DISPENSER FRONT PARTS

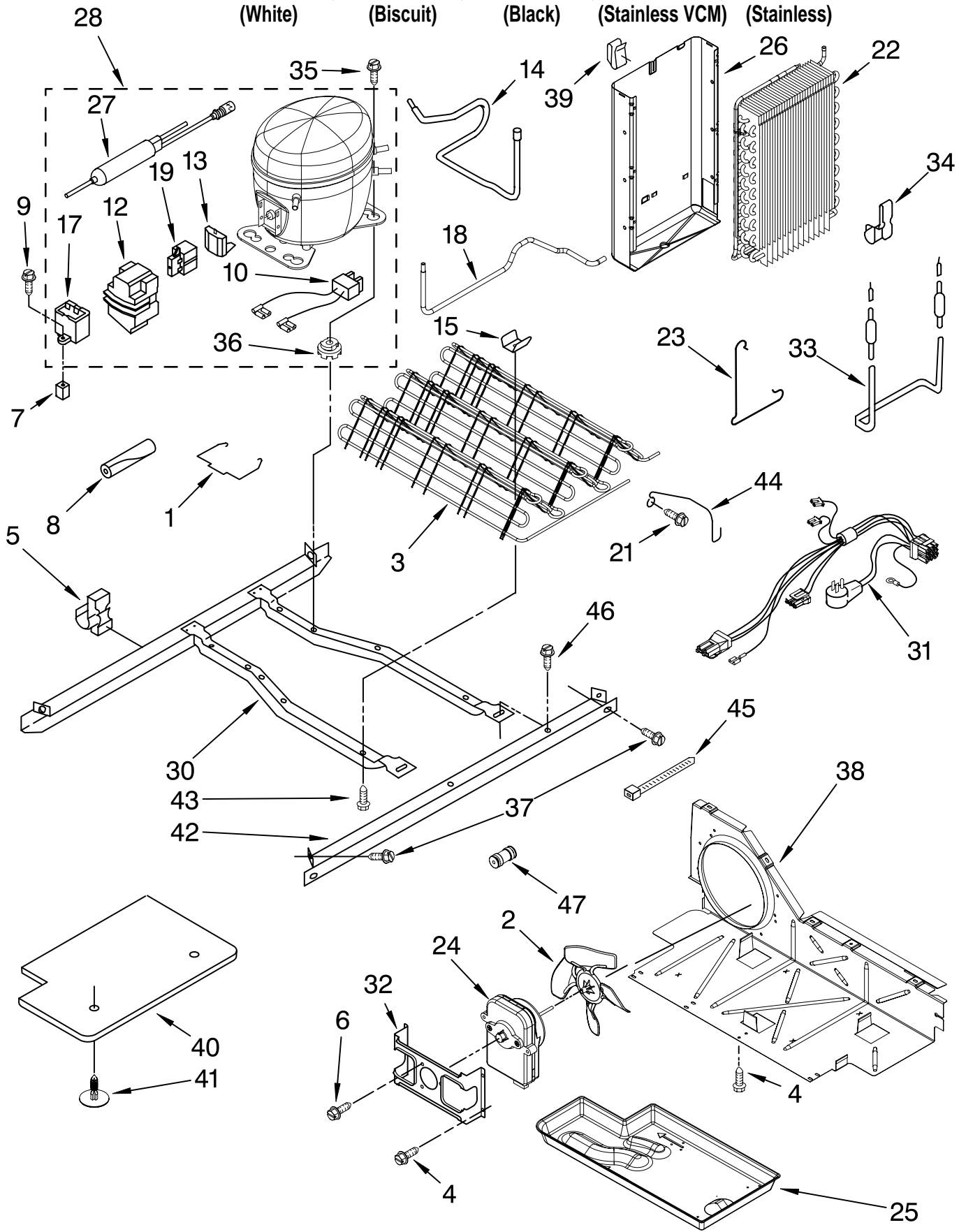
For Models: ED2FHEXVQ00, ED2FHEXVT00, ED2FHEXVB00, ED2FHEXVL00, ED2FHEXVS00
 (White) (Biscuit) (Black) (Stainless VCM) (Stainless)

Illus. No.	Part No.	DESCRIPTION
1		Housing, Dispenser (Not Serviced)
2	3196537	Screw
3	2194719	Retainer, Levers
4	2180209	Spring, Torsion
5	2196195	Pin
6	2180353	Door, Ice
7	2304355	Door Mechanism Assembly
8	2205686	Mechanism Delay
9		Grille, Overflow
	2206671W	White
	2206671T	Biscuit
	2206671B	Black
10	2304317	Water Fitting Assembly (Includes Water Tube)
11		Lever, Ice Dispenser
	W10152853	White
	W10152855	Biscuit
	W10152854	Black
12	2180224	Guide, Ice
13	2180200	Lamp Holder
14	2162361	Switch (2)
15	2183771	Bracket, Control
16	3406124	Bulb, Light
17		Lever, Water Dispenser
	W10152858	White
	W10152860	Biscuit
	W10152859	Black
18		Switch Assembly (Not Available Order #23)
19		Overlay, Front Cover (Not Available Order #23)
20	2311650	Wire Assembly
21		Front Cover, Housing (Not Available, Order #23)
22	489000	Screw
23		Front Cover Assembly (Includes Items 18, 19, 20 & 21)
	W10153723	White
	W10167075	Biscuit
	W10153724	Black
24	625834	Spacer, Switch (2)
25	2195051	Strain Relief
26	2304673	Bracket, Dispenser

FOR ORDERING INFORMATION REFER TO PARTS PRICE LIST

UNIT PARTS

For Models: ED2FHEXVQ00, ED2FHEXVT00, ED2FHEXVB00, ED2FHEXVL00, ED2FHEXVS00
 (White) (Biscuit) (Black) (Stainless VCM) (Stainless)



FOR ORDERING INFORMATION REFER TO PARTS PRICE LIST

UNIT PARTS

For Models: ED2FHEXVQ00, ED2FHEXVT00, ED2FHEXVB00, ED2FHEXVL00, ED2FHEXVS00
 (White) (Biscuit) (Black) (Stainless VCM) (Stainless)

Illus. No.	Part No.	DESCRIPTION	Illus. No.	Part No.	DESCRIPTION	Illus. No.	Part No.	DESCRIPTION
1	2255009	Bale Strap	22	2188822	Evaporator	42	2149718	Unit Mounting Rail
2	12825802	Fan, Blade	23	2161324	Clamp	43	8281232	Screw
3	2223953	Condenser Assembly	24	2188874	Fan, Motor	44	2260516	Guard, Fan
4	489464	Screw	25	1105523	Tray, Evaporator	45	2263990	Strap
5	2208280	Clip, Wire	26	2217195	Heat Shield	46	489427	Screw
6	8533993	Screw	27		Drier	47	2209709	Union
7	509812	Grommet		2201796	Production	Following Parts Not Illustrated and Optional Parts Not Included		
8	2161302	Sleeve		4387019	Service			
9	488687	Screw	28	W10144769	Compressor (Includes Items 10, 12, 13, 17, 19 & 27)	978025		Valve, Access (1/4")
10		Wire, Capacitor			(Also Order 876765 Tube Kit)	978026		Valve, Access (5/16")
	2311653	Production				978027		Valve, Access (3/8")
	4387765	Service				978028		Valve, Access (1/2")
12		Cover, Terminal	30	2160501	Unit Mounting Frame	978029		Valve, Access (5/8")
	2217635	Production				978030		Valve, Access (3/4")
	4387731	Service	31	2311733	Unit, Harness (Includes Power Cord)	876764		Valve, Access (3/16")
13		Overload				REFRIGERANT CHARGE		
	2162216	Production						
	2187145	Service	32	2181929	Fan, Motor Bracket			5.0 oz.
14	2220642	Tube Suction	33	2188174	Heater, Defrost			(R-134A)
15	2311725	Clip, Condenser(2)	34	2161324	Clip (2)			
17		Capacitor	35	489373	Screw (4)			
	2255130	Production	36		Grommet (4)			
	1118576	Service		1100826	Production			
18	2261599	Tube, Condenser to Heat Loop		4387558	Service			
19		Relay	37	489340	Screw (5)			
	2262182	Production	38	2196202	Air Baffle			
	2183454	Service	39	2155547	Clip, Heat Shield			
21	489478	Screw	40	2182057	Unit Cover, Bottom			
			41	489396	Clip			

FOR ORDERING INFORMATION REFER TO PARTS PRICE LIST

AIR FLOW PARTS

For Models: ED2FHEXVQ00, ED2FHEXVT00, ED2FHEXVB00, ED2FHEXVL00, ED2FHEXVS00

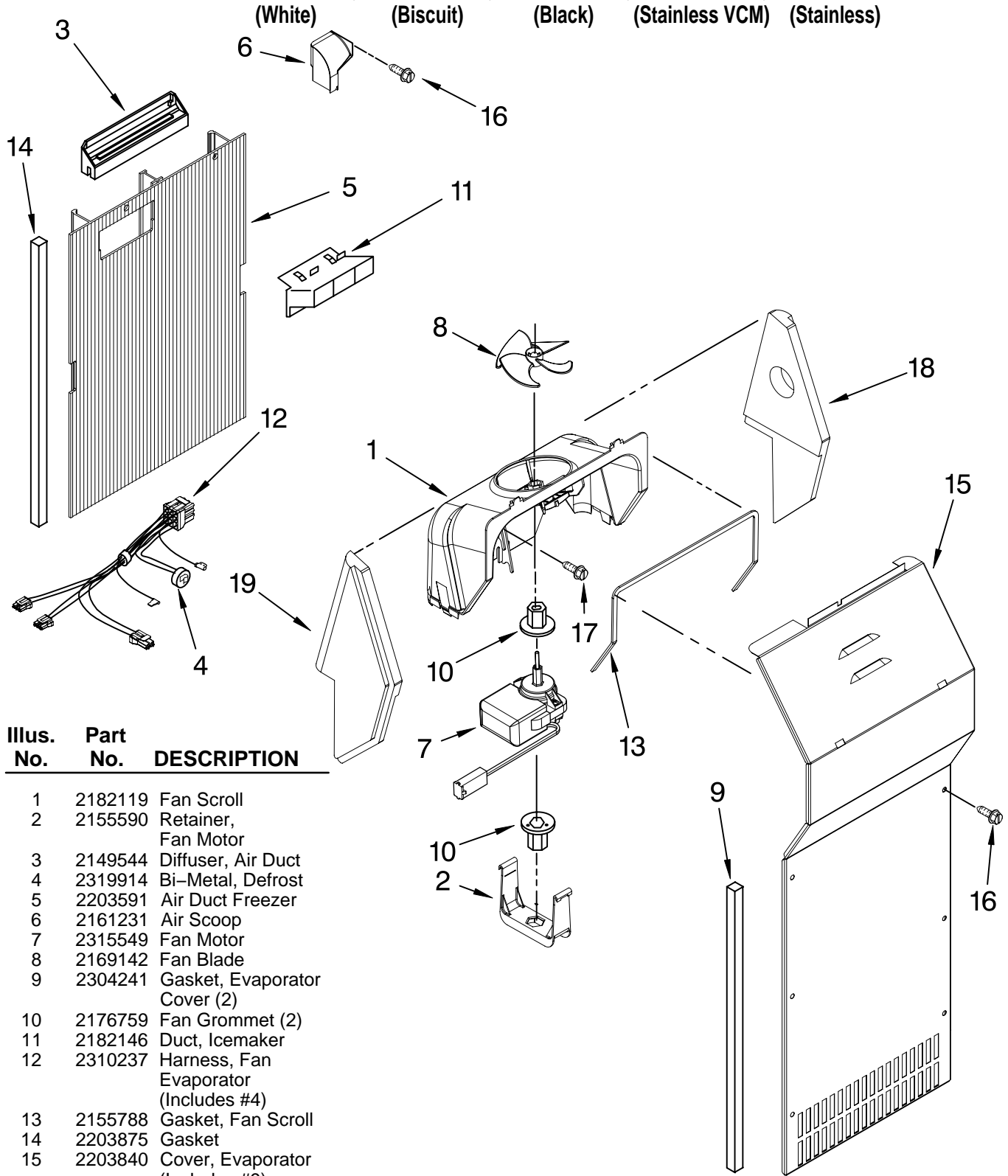
(White)

(Biscuit)

(Black)

(Stainless VCM)

(Stainless)

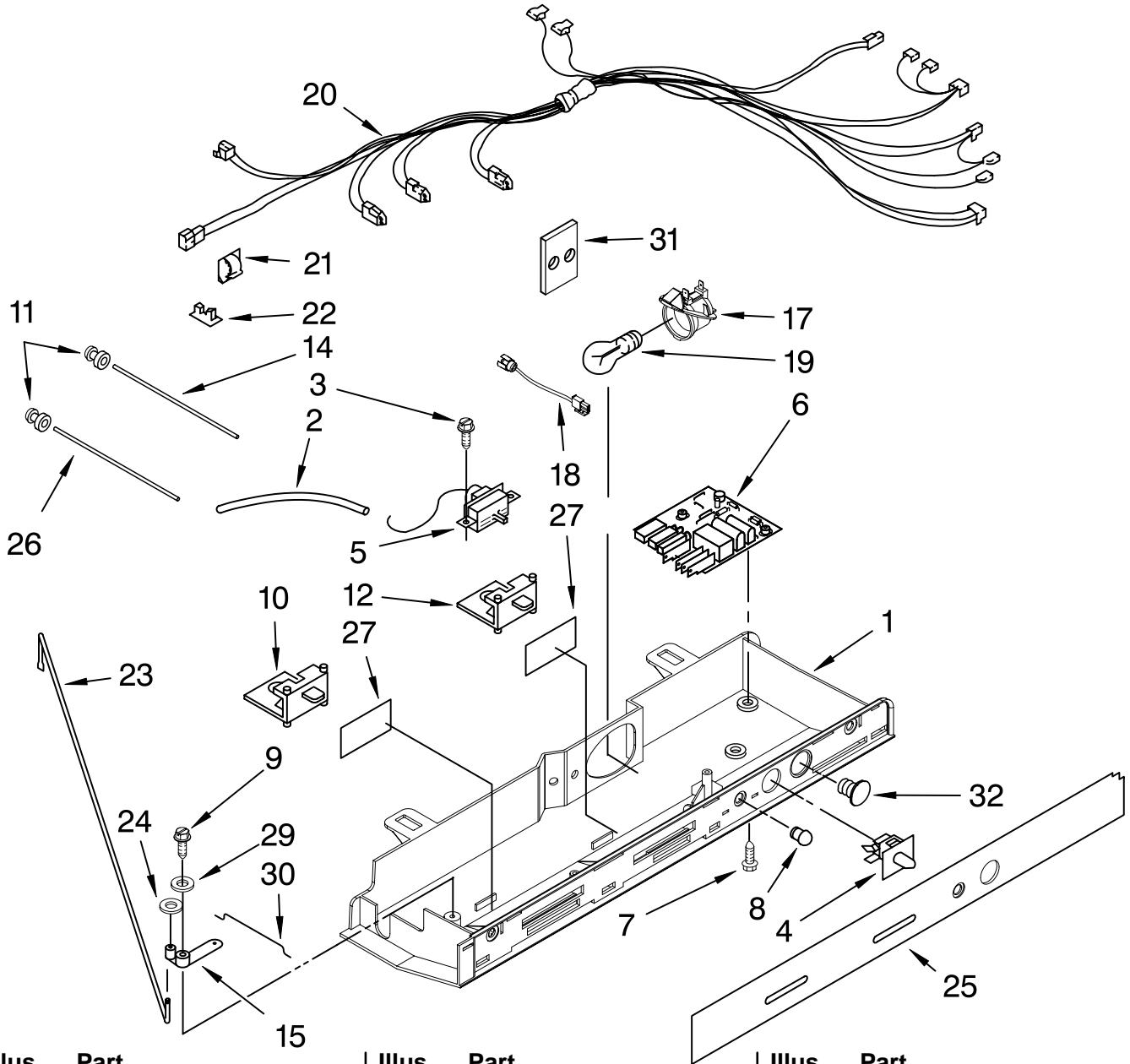


Illus. No.	Part No.	DESCRIPTION
1	2182119	Fan Scroll
2	2155590	Retainer, Fan Motor
3	2149544	Diffuser, Air Duct
4	2319914	Bi-Metal, Defrost
5	2203591	Air Duct Freezer
6	2161231	Air Scoop
7	2315549	Fan Motor
8	2169142	Fan Blade
9	2304241	Gasket, Evaporator Cover (2)
10	2176759	Fan Grommet (2)
11	2182146	Duct, Icemaker
12	2310237	Harness, Fan Evaporator (Includes #4)
13	2155788	Gasket, Fan Scroll
14	2203875	Gasket
15	2203840	Cover, Evaporator (Includes #9)
16	8281159	Screw (6)
17	489478	Screw
18	2203595	Support, R.S
19	2203596	Support, L.S

FOR ORDERING INFORMATION REFER TO PARTS PRICE LIST

CONTROL PARTS

For Models: ED2FHEXVQ00, ED2FHEXVT00, ED2FHEXVB00, ED2FHEXVL00, ED2FHEXVS00
(White) (Biscuit) (Black) (Stainless VCM) (Stainless)



Illus. No.	Part No.	DESCRIPTION
1	2311721	Control Box
2	2196001	Tube Barrier, Thermostat
3	489214	Screw (2)
4	2149705	Light Switch
5	2161282	Thermostat
6	2303822	Electronic Control
7	489398	Screw (2)
8	2200096	Cover, Light Lens
9	627068	Screw

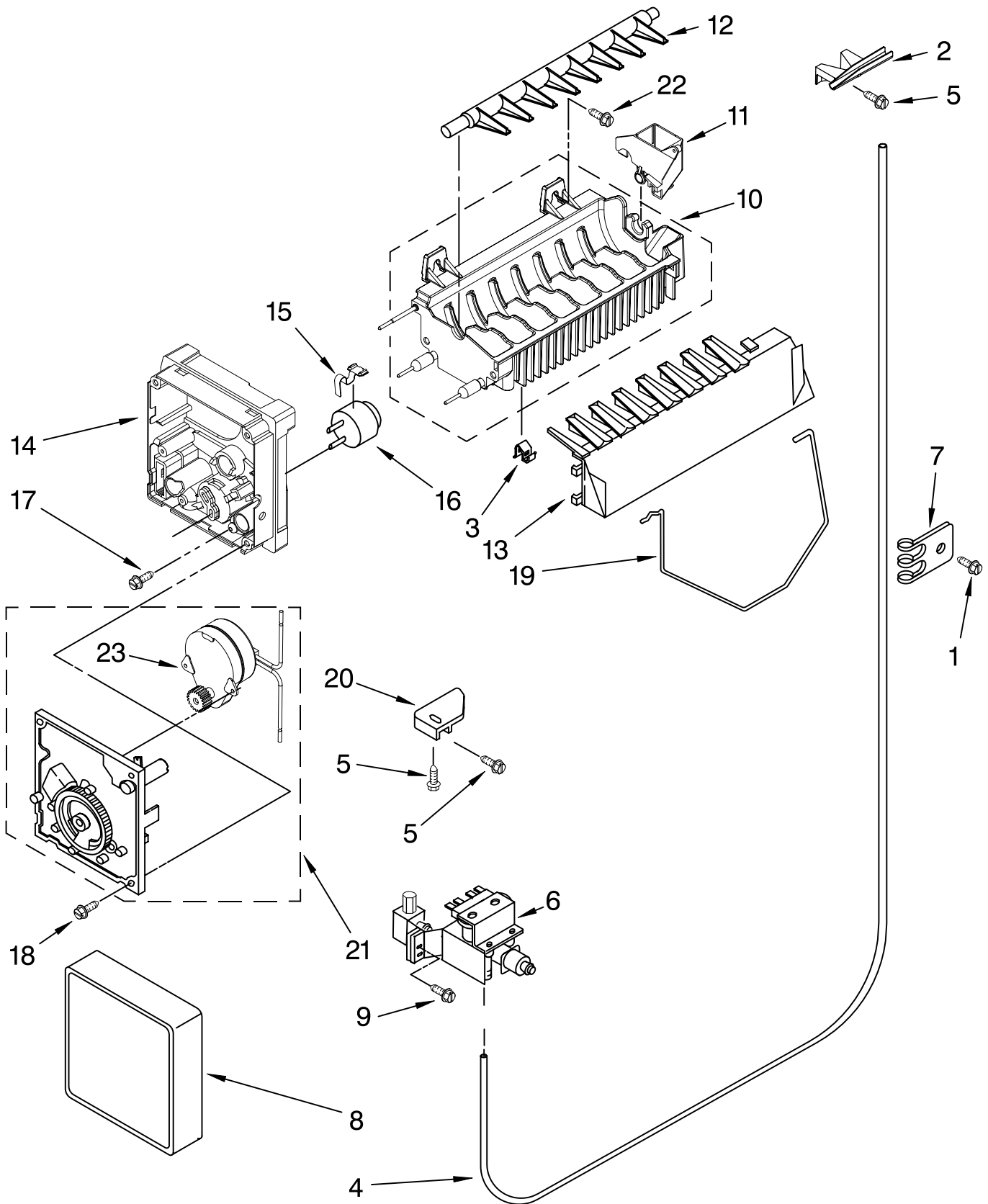
Illus. No.	Part No.	DESCRIPTION
10	2181741	Slide, Air Control
11	2172906	Grommet, Light Bar
12	2161466	Slide, Thermostat
14	2179920	Light Bar (RC)
15	2161306	Pivot Arm
17	2162085	Light Socket
18	2213462	Harness, Indicator Light
19	2311792	Light Bulb
20	2311632	Control Box Harness
21	1115374	Clip, Wiring

Illus. No.	Part No.	DESCRIPTION
22	1115375	Clip, Wiring
23	2161308	Connecting Rod
24	489391	Fastener, Push-On
25	2311803	Front Cover, Control Box
26	2179921	Light Bar (FC)
27	2175513	Window
29	489203	Spring Washer
30	2161307	Connecting Rod, Short
31	2172931	Heat Shield
32	940014	Hole Plug

FOR ORDERING INFORMATION REFER TO PARTS PRICE LIST

ICEMAKER PARTS

For Models: ED2FHEXVQ00, ED2FHEXVT00, ED2FHEXVB00, ED2FHEXVL00, ED2FHEXVS00
(White) (Biscuit) (Black) (Stainless VCM) (Stainless)



FOR ORDERING INFORMATION REFER TO PARTS PRICE LIST

ICEMAKER PARTS

For Models: ED2FHEXVQ00, ED2FHEXVT00, ED2FHEXVB00, ED2FHEXVL00, ED2FHEXVS00
 (White) (Biscuit) (Black) (Stainless VCM) (Stainless)

Illus. No.	Part No.	DESCRIPTION
1	489084	Screw
2	2209774	Chute, Water
3	628379	Clip, Fuse
4	2304859	Tube, Water
5	489478	Screw
6	2304833	Filter Valve Asm
7	489385	Tube Clip
8	2174155	Cover
9	488649	Screw (2)
10	628228	Mold & Heater Assembly (Also Order 542638
11	628356	Cup, Water Fill
12	627843	Ejector
13	2182124	Ice Striper
14	2194712	Support
15	2315522	Retainer, Thermostat
16	628397	Thermostat (Also Order 542369 Cement Alumilastic)
17	8533917	Screw
18	489276	Screw
19	2304354	Shut Off Arm
20	628320	Bracket
21	626678	Module Assembly
22	488208	Screw
23		Motor (Not Serviced, Order #21)
100	626662	Complete Ice maker Assembly

FOR ORDERING INFORMATION REFER TO PARTS PRICE LIST

OPTIONAL PARTS (NOT INCLUDED)

For Models: ED2FHEXVQ00, ED2FHEXVT00, ED2FHEXVB00, ED2FHEXVL00, ED2FHEXVS00
(White) (Biscuit) (Black) (Stainless VCM) (Stainless)

<u>Illus. No.</u>	<u>Part No.</u>	<u>DESCRIPTION</u>
-------------------	-----------------	--------------------

PAINT, PRESSURIZED SPRAY (12 oz.)

- *350942 Primer, White
- *350939 Black
- *350930 White
- *4392901 Biscuit
- *8171357 Graphite

PAINT, TOUCH-UP (1/2oz.)

- 72017 White
- 72032 Black
- 4392899 Biscuit
- 80051 Graphite

***Important:** The spray paint is not to be used where the paint may make contact with the door gaskets.

PAINT, BULK (1 qt.)

- 799340 Black
- 799344 White
- 4392900 Biscuit
- 8171358 Graphite

Miscellaneous

- 212643 Sealer, Gum
(4 Feet)
- 479502 Tape, Vinyl
(3/4 x 108")
- 505587 Sealer, Mastic
(1 Qt.)
- 503695 Cork, Sealer
(1/4 Pound)
- 542638 Grease, Silicone
(1/2 Oz.)
- 542639 Cement,
Alumilastic
(1-1/4 Oz.)
- 799833 Kit, Evaporator
Repair
(Aluminum Epoxy)
- 833938 Kit, Terminal
Connector

TORX SCREW WRENCH

- 1117510 Torx Key

FOR ORDERING INFORMATION REFER TO PARTS PRICE LIST