

---

# TOP-MOUNT REFRIGERATOR

Use & Care Guide

---

# RÉFRIGÉRATEUR SUPERPOSÉ

Guide d'utilisation  
et d'entretien

---

Table of Contents/Table des matières ..... 2

---

**ROPER**<sup>®</sup>  
Home Appliances

---

# TABLE OF CONTENTS

REFRIGERATOR SAFETY .....	3
PARTS AND FEATURES.....	4
INSTALLING YOUR REFRIGERATOR .....	5
Unpacking Your Refrigerator.....	5
Space Requirements .....	5
Electrical Requirements.....	6
Connecting the Refrigerator to a Water Source .....	6
Reversing the Door Swing.....	8
Reversing the Door Handles .....	9
Base Grille .....	10
Door Closing and Alignment .....	10
Understanding Sounds You May Hear .....	11
USING YOUR REFRIGERATOR.....	11
Ensuring Proper Air Circulation.....	11
Setting the Control.....	12
Adjusting Control Settings.....	12
Food Storage Guide.....	12
REFRIGERATOR FEATURES.....	14
Refrigerator Shelves .....	14
Meat Drawer and Cover.....	14
Crisper and Crisper Cover.....	14
Door Rails .....	15
Ice Maker Operation .....	15
Freezer Shelf.....	16
CARING FOR YOUR REFRIGERATOR .....	16
Cleaning Your Refrigerator.....	16
Changing the Light Bulbs.....	17
Power Interruptions .....	17
Vacation and Moving Care .....	17
TROUBLESHOOTING.....	18
ASSISTANCE OR SERVICE .....	21
WARRANTY .....	44

---

# TABLE DES MATIÈRES

SÉCURITÉ DU RÉFRIGÉRATEUR .....	23
PIÈCES ET CARACTÉRISTIQUES.....	24
INSTALLATION DU RÉFRIGÉRATEUR .....	25
Déballage de votre réfrigérateur .....	25
Espace requis.....	25
Spécifications électriques .....	26
Raccordement du réfrigérateur à une canalisation d'eau.....	26
Inversion du sens d'ouverture des portes.....	28
Inversion des poignées de porte .....	29
Grille de la base .....	30
Fermeture et alignement des portes .....	30
Les bruits de l'appareil que vous pouvez entendre ...	31
UTILISATION DU RÉFRIGÉRATEUR .....	31
Pour s'assurer d'une circulation d'air appropriée .....	31
Réglage des commandes.....	32
Ajustement des réglages de commande .....	32
Guide d'entreposage des aliments .....	33
CARACTÉRISTIQUES DU RÉFRIGÉRATEUR.....	34
Tablettes du réfrigérateur.....	34
Bac à viande et couvercle.....	34
Bac à légumes et couvercle.....	35
Tringles dans la porte .....	36
Utilisation de la machine à glaçons .....	36
Clayette du congélateur .....	37
ENTRETIEN DE VOTRE RÉFRIGÉRATEUR .....	37
Nettoyage du réfrigérateur .....	37
Remplacement des ampoules d'éclairage.....	38
Pannes de courant.....	38
Entretien avant les vacances ou lors d'un déménagement .....	39
DÉPANNAGE.....	40
ASSISTANCE OU SERVICE .....	43
GARANTIE.....	44

# REFRIGERATOR SAFETY

## Your safety and the safety of others is very important.

We have provided many important safety messages in this manual and on your appliance. Always read and obey all safety messages.



This is the safety alert symbol.

This symbol alerts you to hazards that can kill or hurt you and others.

All safety messages will be preceded by the safety alert symbol and the word "DANGER" or "WARNING." These words mean:

 **DANGER**

**You will be killed or seriously injured if you don't follow instructions.**

 **WARNING**

**You can be killed or seriously injured if you don't follow instructions.**

All safety messages will identify the hazard, tell you how to reduce the chance of injury, and tell you what can happen if the instructions are not followed.

## IMPORTANT SAFETY INSTRUCTIONS

**WARNING:** To reduce the risk of fire, electric shock, or injury when using your refrigerator, follow these basic precautions:

- Plug into a grounded 3 prong outlet.
- Do not remove ground prong.
- Do not use an adapter.
- Do not use an extension cord.
- Disconnect power before servicing.
- Replace all panels before operating.
- Remove doors from your old refrigerator.
- Use nonflammable cleaner.
- Keep flammable materials and vapors, such as gasoline, away from refrigerator.
- Use two or more people to move and install refrigerator.
- Disconnect power before installing ice maker.
- Use a sturdy glass when dispensing ice or water (on some models).

## SAVE THESE INSTRUCTIONS

## Proper Disposal of Your Old Refrigerator

 **WARNING**

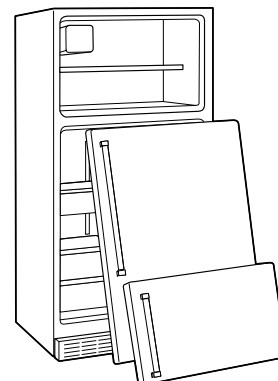
### Suffocation Hazard

**Remove doors from your old refrigerator.  
Failure to do so can result in death or brain damage.**

**IMPORTANT** – Child entrapment and suffocation are not problems of the past. Junked or abandoned refrigerators are still dangerous – even if they will sit for "just a few days." If you are getting rid of your old refrigerator, please follow these instructions to help prevent accidents.

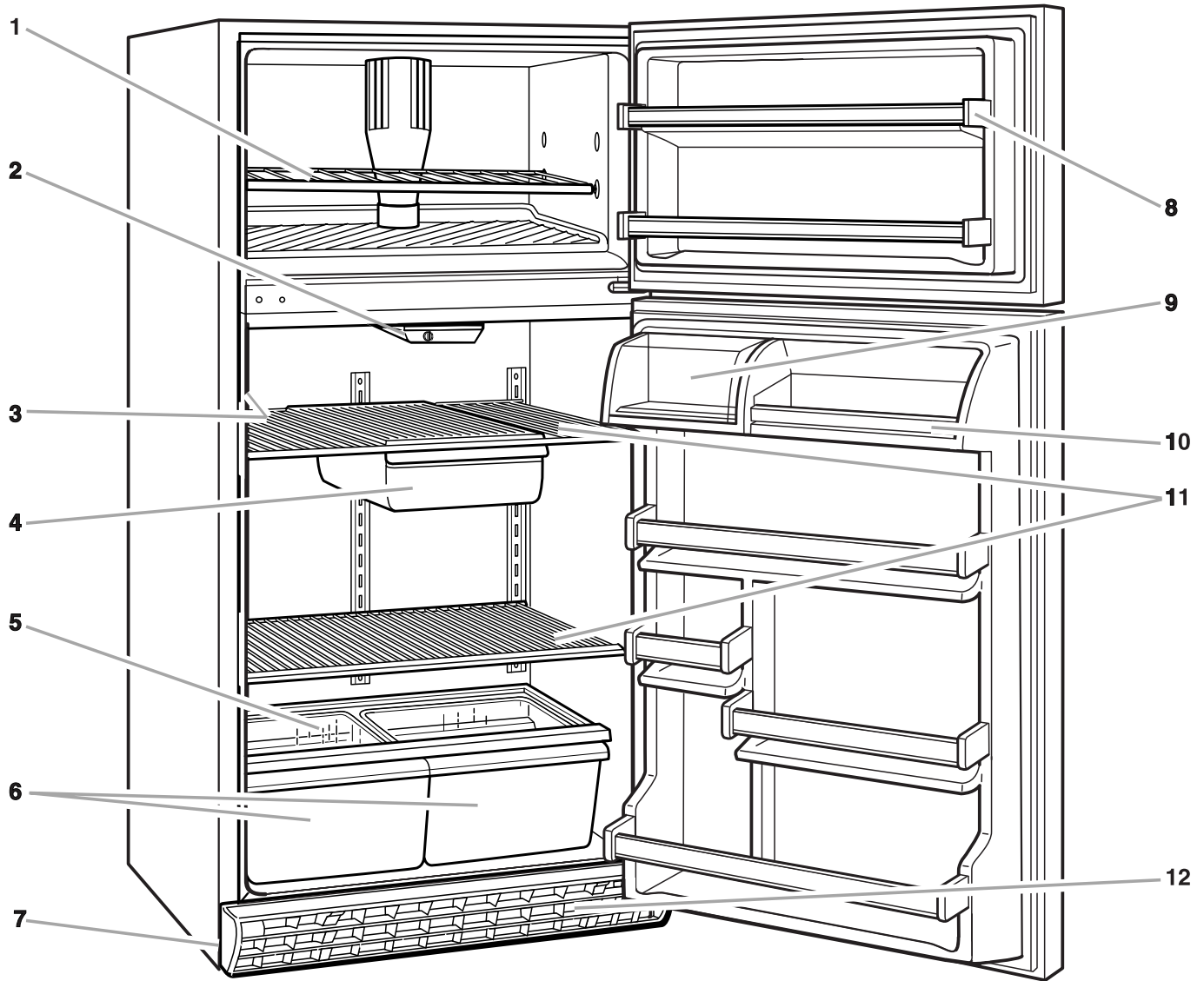
**Before you throw away your old refrigerator or freezer:**

- Take off the doors.
- Leave the shelves in place so that children may not easily climb inside.



# PARTS AND FEATURES

This section contains an illustration of your refrigerator. Use it to become more familiar with the parts and features. The drawings in this book may vary from your refrigerator model.



- 1. Freezer Shelf (on some models)
- 2. Control Panel
- 3. Model and Serial Number Label
- 4. Meat Drawer (on some models)
- 5. Crisper Cover (on some models)
- 6. Crispers (on some models)
- 7. Leveling Rollers (behind base grille)
- 8. Snap-on Door Rails
- 9. Utility Compartment (on some models)

- 10. Drop-in Door Rails
- 11. Adjustable Glass or Wire Shelves
- 12. Base Grille

## Other parts and features

(not shown in the illustration above/optional on some models)

- Automatic ice maker
- Ice cube trays
- Egg/utility bin

# INSTALLING YOUR REFRIGERATOR

## Unpacking Your Refrigerator

### **⚠️ WARNING**

#### **Excessive Weight Hazard**

**Use two or more people to move and install refrigerator.**

**Failure to do so can result in back or other injury.**

### **Removing Packaging Materials**

- Remove tape and any labels from your refrigerator before using (except the model and serial number label).

To remove any remaining tape or glue, rub the area briskly with your thumb. Tape or glue residue can also be easily removed by rubbing a small amount of liquid dish soap over the adhesive with your fingers. Wipe with warm water and dry.

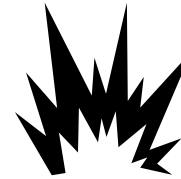
- Do not use sharp instruments, rubbing alcohol, flammable fluids, or abrasive cleaners to remove tape or glue. These products can damage the surface of your refrigerator. For more information, see "Important Safety Instructions" in the "Refrigerator Safety" section.
- On some models, shelves, bins, door shelf rails, and other feature parts may be packaged in the Finishing Touches™ FeaturePak. Follow the instructions contained in the package for proper assembly.

### **IMPORTANT:**

- Depending on your model, do not remove any permanent instruction labels inside your refrigerator, or the Tech Sheet that is fastened behind the base grille.
- Depending on your model, do not remove the white Styrofoam insert that is located behind the control panel on the ceiling of the refrigerator. The insert is part of the refrigerator and not part of the packing material. If the insert is removed, ice may migrate down from the freezer and cause icicles to form.

## Space Requirements

### **⚠️ WARNING**

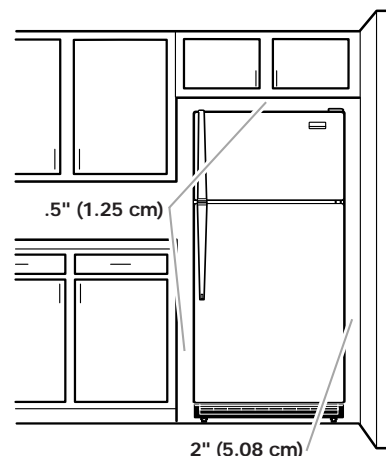


#### **Explosion Hazard**

**Keep flammable materials and vapors, such as gasoline, away from refrigerator.**

**Failure to do so can result in death, explosion, or fire.**

- To ensure proper ventilation for your refrigerator, allow for a .5" (1.25 cm) space on each side and at the top.




- If your refrigerator has an ice maker, make sure you leave some extra space at the back for the water line connections. The refrigerator can be flush against the back wall if you do not have an ice maker installed.
- If you are installing your refrigerator next to a fixed wall, leave 2" (5.08 cm) minimum on each side (depending on your model) to allow for the door to swing open.

**NOTE:** Do not install the refrigerator near an oven, radiator, or other heat source, nor in a location where the temperature will fall below 55°F (13°C).

## Electrical Requirements

**⚠ WARNING**



**Electrical Shock Hazard**

**Plug into a grounded 3 prong outlet.**

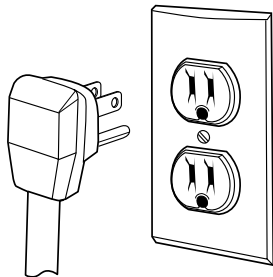
**Do not remove ground prong.**

**Do not use an adapter.**

**Do not use an extension cord.**

**Failure to follow these instructions can result in death, fire, or electrical shock.**

Before you move your refrigerator into its final location, it is important to make sure you have the proper electrical connection:



### Recommended Grounding Method

A 115 Volt, 60 Hz., AC only 15 or 20 ampere fused, grounded electrical supply is required. It is recommended that a separate circuit serving only your refrigerator be provided. Use an outlet that cannot be turned off by a switch. Do not use an extension cord.

**NOTE:** Before performing any type of installation, cleaning, or removing a light bulb, turn the Thermostat Control (or Refrigerator Control depending on the model) to OFF and then disconnect the refrigerator from the electrical source. When you are finished, reconnect the refrigerator to the electrical source and reset the Thermostat Control (or Refrigerator Control) to the desired setting.

## Connecting the Refrigerator to a Water Source

**Read all directions carefully before you begin.**

### IMPORTANT:

- If operating the refrigerator before installing the water connection, turn ice maker to the OFF position to prevent operation without water.
- All installations must be in accordance with local plumbing code requirements.
- Use copper tubing and check for leaks.
- Install copper tubing only in areas where temperatures will remain above freezing.
- It may take up to 24 hours for your ice maker to begin producing ice.

### Tools required:

- Standard screwdriver
- 7/16-inch and 1/2-inch open-end wrenches or two adjustable wrenches
- 1/4-inch nut driver
- 1/4-inch drill bit
- Hand drill or electric drill (properly grounded)

**NOTE:** Your refrigerator dealer has a kit available with a 1/4-inch saddle-type shut-off valve, a union, and copper tubing. Before purchasing, make sure a saddle-type valve complies with your local plumbing codes. Do not use a piercing-type or 3/16-inch saddle valve which reduces water flow and clogs more easily.

### Cold Water Supply

The ice maker water valve contains a flow washer which is used as a water pressure regulator. The ice maker needs to be connected to a cold water line with water pressure between 30 and 120 psi. If a problem occurs, call your utility company.

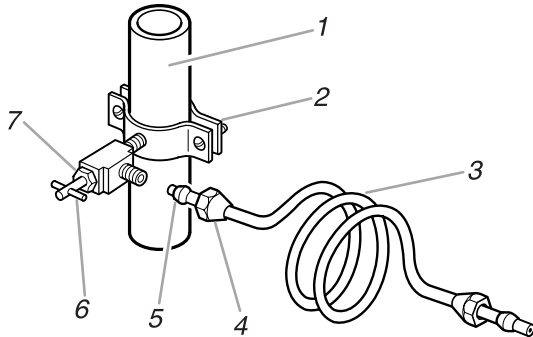
### Connecting to water line:

1. Unplug refrigerator or disconnect power.
2. Turn OFF main water supply. Turn ON nearest faucet long enough to clear line of water.

- Find a ½-inch to 1¼-inch vertical COLD water pipe near the refrigerator.

**NOTE:** Horizontal pipe will work, but the following precaution must be taken: Drill on the top side of the pipe, not the bottom. This will help keep water away from the drill. This also keeps normal sediment from collecting in the valve.

- To determine the length of copper tubing you will need, measure from connection on lower left rear of refrigerator to water pipe. Add 7 feet (2.1 m) to allow for moving refrigerator for cleaning. Use ¼-inch O.D. (outside diameter) copper tubing. Be sure both ends of copper tubing are cut square.
- Using a grounded drill, drill a ¼-inch hole in the cold water pipe you have selected.

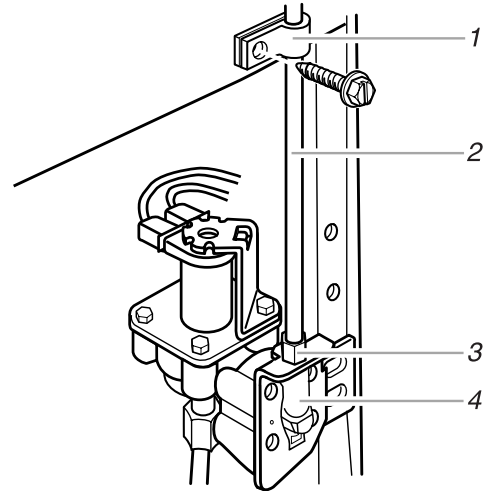


- Cold Water Pipe
- Pipe Clamp
- Copper Tubing
- Compression Nut
- Compression Sleeve
- Shut Off Valve
- Packing Nut

- Fasten shut-off valve to cold water pipe with pipe clamp. Be sure outlet end is solidly in the ¼-inch drilled hole in the water pipe and that washer is under the pipe clamp. Tighten packing nut. Tighten the pipe clamp screws carefully and evenly so washer makes a watertight seal. Do not overtighten or you may crush the copper tubing, especially if soft (coiled) copper tubing is used. Now you are ready to connect the copper tubing.
- Slip compression sleeve and compression nut on copper tubing as shown. Insert end of tubing into outlet end squarely as far as it will go. Screw compression nut onto outlet end with adjustable wrench. Do not overtighten.
- Place the free end of the tubing into a container or sink, and turn ON main water supply and flush out tubing until water is clear. Turn OFF shut-off valve on the water pipe. Coil copper tubing.

### Connecting to refrigerator:

- Attach the copper tube to the valve inlet using a compression nut and sleeve as shown. Tighten the compression nut. Do not overtighten. Use the tube clamp on the back of the refrigerator to secure the tubing to the refrigerator as shown. This will help prevent damage to the tubing when the refrigerator is pushed back against the wall. Move to step 2.
- Turn shut-off valve ON. Check For Leaks.** Tighten any connections (including connections at the valve) or nuts that leak.



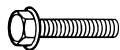
- Tube Clamp
- Copper tubing
- Compression Nut
- Valve Inlet

- The ice maker is equipped with a built-in water strainer. If local water conditions require periodic cleaning or a well is your source of water supply, a second water strainer should be installed in the ¼-inch water line. Obtain a water strainer from your nearest appliance dealer. Install at either tube connection.
- Plug in refrigerator or reconnect power.

# Reversing the Door Swing

## TOOLS NEEDED:

5/16-inch hex-head socket wrench, No. 2 Phillips screwdriver, flat-head screwdriver, 1/2-inch open-end wrench, flat 2-inch putty knife.



5/16 inch Hex Head Hinge Screw



Door Stop Screw



Sealing Screw (use on top of doors)

**SUGGESTION:** Reversing the door swing should be performed by a qualified person.

**IMPORTANT:** Before you begin, turn the refrigerator OFF and unplug it. Move food from the refrigerator, freezer and both doors to another refrigerator or cooler. On some models, you will need to remove the adjustable door bins.

## To remove doors from hinges:

1. Open the refrigerator door and remove the base grille from the bottom front of the refrigerator. (See "Base Grille" section.)
2. Close the refrigerator door and keep both doors closed until you are ready to lift them free from the cabinet.

**NOTE:** Do not depend on the door magnets to hold the doors in place while you are working. Provide additional support for the doors while the hinges are being moved.

3. Remove the screws and components for the top hinge as shown.
4. Lift the freezer door free from the cabinet.
5. Remove the freezer door stop from the bottom of the freezer door as shown in the Center Hinge illustration. Replace the door stop on the opposite side of the freezer door.
6. Remove the screws and components for the center hinge as shown.
7. Lift the refrigerator door free from the cabinet.
8. Remove the refrigerator door stop from the bottom of the refrigerator door as shown in the Bottom Hinge illustration. Replace the refrigerator door stop on the opposite side of the refrigerator door.

**NOTE:** Be sure to place the door stop in the correct position, using the hole nearest the front of the door.

9. Remove the screws and components for the bottom hinge as shown.

**NOTE:** If you are reversing the door swing, you should move the handles while the doors are off of the refrigerator. Follow the instructions in the "Reversing the Door Handles" section before replacing the doors.

## To replace doors on hinges:

1. Using a flat putty knife, remove the hole plugs from the top of the refrigerator cabinet that cover the screw holes on the opposite side of the refrigerator.
2. Replace the components and screws for the bottom hinge. Tighten screws with a wrench.
3. Replace the refrigerator door.

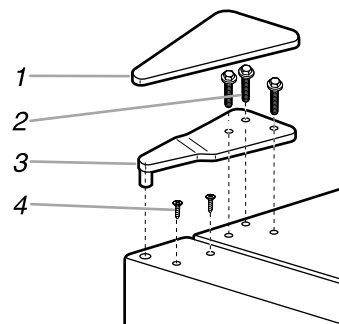
**NOTE:** Do not depend on the door magnets to hold the doors in place while you are working. Provide additional support for the doors while the hinges are being moved.

4. Replace the components and screws for the center hinge as shown. Do not tighten completely.
5. Remove the top hinge hole plug from the top of the freezer door and replace it on the other side.
6. Replace the freezer door.
7. Replace the components and screws for the top hinge as shown. Do not tighten completely.
8. Line up doors so they are centered between the sides of the cabinet and parallel with each other. Adjust the center and top hinges if necessary. **Tighten all screws.**

**NOTE:** If the doors are not closing on their own, see the "Door Closing and Alignment" section.

9. Be sure to fill all openings with either the proper screws or hole plugs. Moisture will enter any unfilled opening.
10. Replace the door bins and base grille. (See the "Base Grille" section.)
11. Plug in the refrigerator and reset the controls. (See "Setting the Controls" section.) When the refrigerator cools down, return the food to the refrigerator.

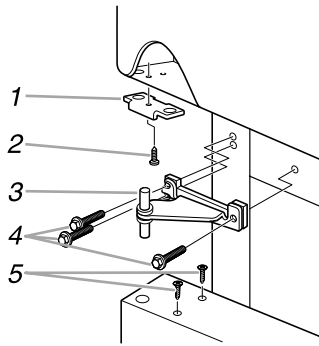
## Top Hinge



1. Top Hinge Cover
2. Hex Head Hinge Screws
3. Top Hinge
4. Sealing Screws

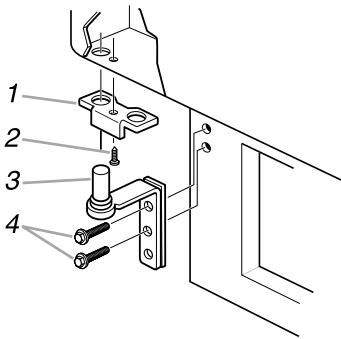


## Center Hinge



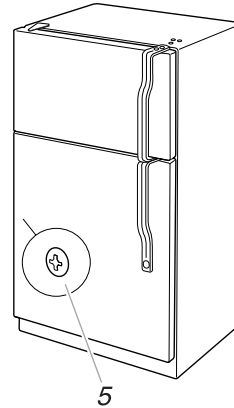
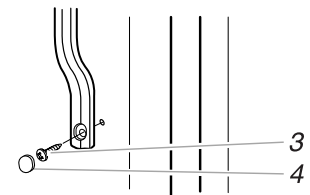
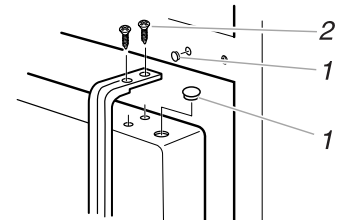
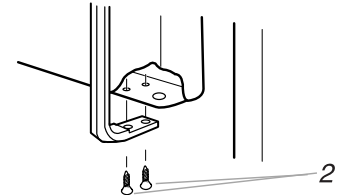
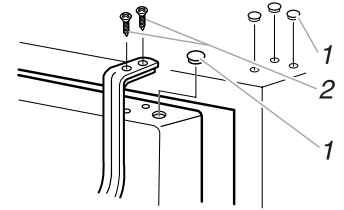
1. Freezer Door Stop
2. Freezer Door Stop Screw
3. Center Hinge
4. Hex Head Hinge Screws
5. Sealing Screws

## Bottom Hinge



1. Refrigerator Door Stop
2. Refrigerator Door Stop Screw
3. Bottom Hinge
4. Hex Head Hinge Screws

3. Align the lower portion of the handle and attach it to the refrigerator with the handle screw.
4. Position screw cover over the screw and push it into place.



1. Plugs
2. Countersink Screw
3. Handle Screw
4. Screw Cover
5. Hole Plug

## Reversing the Door Handles

1. Remove freezer handle assembly as shown. Keep all parts together.
2. Pry off screw cover and remove screw.
3. Remove refrigerator handle assembly as shown. Keep all parts together.

### To reinstall freezer handle:

1. Position freezer handle on opposite side of freezer door and install top two countersink screws.
2. Install bottom two countersink screws.
3. Tighten all screws.

### To reinstall refrigerator handle:

1. Unscrew hole plug from the front of the refrigerator door and screw it into place on the opposite side.
2. Position the refrigerator handle on the refrigerator door and attach it at the top with two countersink screws.

---

## Base Grille

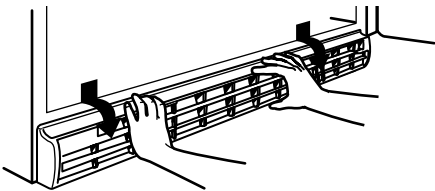
### To remove the base grille:

1. Open the refrigerator door.
2. Grasp the grille with both hands.
3. Lift up and tilt the bottom of the grille up toward you.

**NOTE:** Do not remove the Tech Sheet that is fastened behind the grille.

### To replace the base grille:

1. Open the refrigerator door.
2. Place upper clips in openings in the metal panel.
3. Roll the grille down toward the refrigerator until it snaps into place.



---

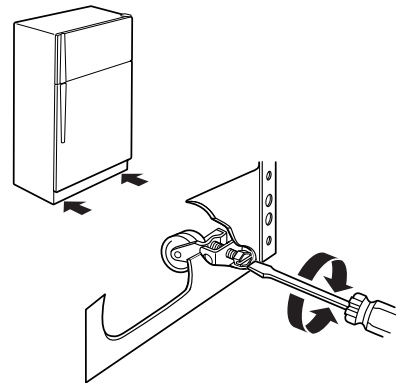
## Door Closing and Alignment

### Door Closing

Your refrigerator has 2 front adjustable rollers – one on the right and one on the left. If your refrigerator seems unsteady or you want the doors to close easier, adjust the refrigerator's tilt using the instructions below:

1. Plug refrigerator power cord into a 3-prong grounded outlet. Move the refrigerator into its final position.
2. Remove the base grille (see "Base Grille" earlier in this section). The two leveling screws are part of the front roller assemblies which are at the base of the refrigerator on either side.
3. Use a screwdriver to adjust the leveling screws. Turn the leveling screw to the right to raise that side of the refrigerator or turn the leveling screw to the left to lower that side. It may take several turns of the leveling screws to adjust the tilt of the refrigerator.

**NOTE:** Having someone push against the top of the refrigerator takes some weight off the leveling screws and rollers. This makes it easier to adjust the screws.



4. Open both doors again and check to make sure that they close as easily as you like. If not, tilt the refrigerator slightly more to the rear by turning both leveling screws to the right. It may take several more turns, and you should turn both leveling screws the same amount.
5. Replace the base grille.

### Door Alignment

If the space between your doors looks uneven, you can adjust it using the instructions below:

1. Pry off the top hinge cover.
2. Loosen the top hinge screws using a  $\frac{5}{16}$ -inch socket or wrench.
3. Have someone hold the door in place or put a spacer between the doors while you tighten the top hinge screws.
4. Replace the top hinge cover.

---

## Understanding Sounds You May Hear

Your new refrigerator may make sounds that your old one didn't make. Because the sounds are new to you, you might be concerned about them. Most of the new sounds are normal. Hard surfaces, like the floor, walls, and cabinets, can make the sounds seem louder than they actually are. The following describes the kinds of sounds and what may be making them.

- If your product is equipped with an ice maker, you will hear a buzzing sound when the water valve opens to fill the ice maker for each cycle.
- The defrost timer will click when the automatic defrost cycle begins and ends. Also, the thermostat refrigerator control, will click when cycling on and off.
- Rattling noises may come from the flow of refrigerant, the water line, or items stored on top of the refrigerator.
- Your refrigerator is designed to run more efficiently to keep your food items at the desired temperature. The high efficiency compressor may cause your new refrigerator to run longer than your old one, and you may hear a pulsating or high-pitched sound.
- Water dripping on the defrost heater during a defrost cycle may cause a sizzling sound.
- You may hear the evaporator fan motor circulating the air through the refrigerator and freezer compartments.
- As each cycle ends, you may hear a gurgling sound due to the refrigerant flowing in your refrigerator.
- Contraction and expansion of the inside walls may cause a popping noise.
- You may hear air being forced over the condenser by the condenser fan.
- You may hear water running into the drain pan during the defrost cycle.

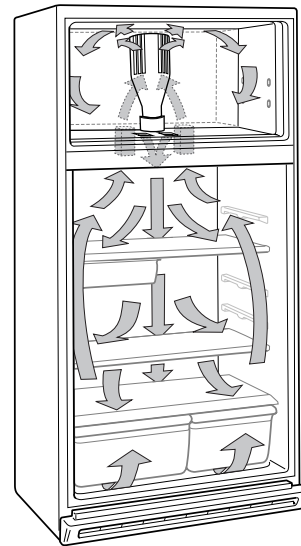
---

## USING YOUR REFRIGERATOR

---

### Ensuring Proper Air Circulation

In order to ensure proper temperatures, you need to permit air flow between the refrigerator and freezer sections. As shown in the illustration, cool air enters through the bottom of the freezer section and moves up. Most of the air then flows through the freezer section vents and recirculates under the freezer floor. The rest of the air enters the refrigerator section through the top vent.



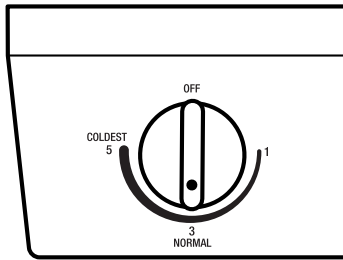
**Do not block any of these vents** with food packages. If the vents are blocked, airflow will be prevented and temperature and moisture problems may occur.

**IMPORTANT:** Because air circulates between both sections, any odors formed in one section will transfer to the other. You must thoroughly clean both sections to eliminate odors. To prevent odor transfer and drying out of food, wrap or cover foods tightly. (See the "Food Storage Guide" section for details.)

## Setting the Control

For your convenience, the refrigerator control is preset at the factory. The control for the refrigerator and freezer is located in the top of the refrigerator section. It controls the temperature in both the refrigerator and freezer compartments.

When you first install your refrigerator, make sure that the Temperature Control is still preset. The Temperature Control should be at the "mid-setting" (3), as shown in the illustration below.



**NOTE:** Turning the Temperature Control to OFF stops cooling in both the refrigerator and freezer compartments, but does not disconnect the refrigerator from the power supply.

Give your refrigerator time to cool down completely before adding food. It is best to wait 24 hours before you put food into the refrigerator.

**IMPORTANT:** If you add food before the refrigerator has cooled completely, your food may spoil. **Turning the Temperature Control to a higher (colder) than recommended setting will not cool the compartments any faster.**

## Adjusting Control Settings

Give the refrigerator time to cool down completely before adding food. It is best to wait 24 hours before you put food into the refrigerator. The "mid-setting" (3) indicated in the previous section should be correct for normal household refrigerator usage. The control is set correctly when milk or juice is as cold as you like and when ice cream is firm.

The Temperature Control functions as the thermostat for the entire product (refrigerator and freezer sections). The higher the number setting, the longer the compressor will run to keep the temperature colder.

Use the settings listed in the chart below as a guide. **Always remember to wait at least 24 hours between adjustments.**

CONDITION/REASON:	RECOMMENDED ADJUSTMENT:
<b>REFRIGERATOR section too warm</b> <ul style="list-style-type: none"> <li>■ Door opened often</li> <li>■ Large amount of food added</li> <li>■ Room temperature very warm</li> </ul>	<b>Turn TEMPERATURE Control to next higher number, wait 24 hours, then re-check</b>
<b>FREEZER section too warm/ice not made fast enough</b> <ul style="list-style-type: none"> <li>■ Door opened often</li> <li>■ Large amount of food added</li> <li>■ Very cold room temperature (can't cycle often enough)</li> <li>■ Heavy ice usage</li> <li>■ Air diffuser blocked by items</li> </ul>	<b>Turn TEMPERATURE Control to next HIGHER number, wait 24 hours, then re-check</b>  <b>Move items out of airstream</b>
<b>REFRIGERATOR section too cold</b> <ul style="list-style-type: none"> <li>■ Control not set correctly for your conditions</li> </ul>	<b>Turn TEMPERATURE Control to next lower number, wait 24 hours, then re-check</b>
<b>FREEZER section too cold</b> <ul style="list-style-type: none"> <li>■ Control not set correctly for your conditions</li> </ul>	<b>Turn TEMPERATURE control to next lower number, wait 24 hours, then re-check</b>

## Food Storage Guide

### Storing Fresh Food

Wrap or store food in the refrigerator in airtight and moisture-proof material unless otherwise noted. This prevents food odor and taste transfer throughout the refrigerator. For dated products, check code date to ensure freshness.

#### Butter or margarine

Keep opened butter in covered dish or closed compartment. When storing an extra supply, wrap in freezer packaging and freeze.

#### Cheese

Store in the original wrapping until you are ready to use it. Once opened, rewrap tightly in plastic wrap or aluminum foil.

---

**Milk**

Wipe milk cartons. For best storage, place milk on interior shelf.

---

**Eggs**

Store in original carton on interior shelf.

---

**Fruit**

Wash, let dry, and store in refrigerator in plastic bags or crisper. Do not wash or hull berries until they are ready to use. Sort and keep berries in original container in a crisper, or store in a loosely closed paper bag on a refrigerator shelf.

---

**Leafy vegetables**

Remove store wrapping and trim or tear off bruised and discolored areas. Wash in cold water and drain. Place in plastic bag or plastic container and store in crisper.

---

**Vegetables with skins (carrots, peppers)**

Place in plastic bags or plastic container and store in crisper.

---

**Fish**

Use fresh fish and shellfish the same day as purchased.

---

**Meat**

Store most meat in original wrapping as long as it is airtight and moisture-proof. Rewrap if necessary. See the following chart for storage times. When storing meat longer than the times given, freeze the meat.

Chicken .....	1-2 days
Ground beef .....	1-2 days
Variety meats (liver, heart, etc.).....	1-2 days
Cold cuts .....	3-5 days
Steaks/roasts .....	3-5 days
Cured meats.....	7-10 days

---

**Leftovers**

Cover leftovers with plastic wrap or aluminum foil. Plastic containers with tight lids can also be used.

---

**Storing Frozen Food**

**NOTE:** For further information about preparing food for freezing or food storage times, check a freezer guide or reliable cookbook.

**Packaging**

Successful freezing depends on the correct packaging. When you close and seal the package you must not allow air or moisture in or out. If you do, you could have food odor and taste transfer throughout the refrigerator, and also dry out frozen food.

**Packaging recommendations:**

- Rigid plastic containers with tight-fitting lids
- Straight-sided canning/freezing jars
- Heavy-duty aluminum foil
- Plastic-coated paper
- Non-permeable plastic wraps (made from saran film)
- Specified freezer self-sealing plastic bags

Follow package or container instructions for proper freezing methods.

**Do not use:**

- Bread wrappers
- Non-polyethylene plastic containers
- Containers without tight lids
- Wax paper or wax-coated freezer wrap
- Thin, semi-permeable wrap

**Freezing**

Your freezer will not quick-freeze any large quantity of food. Put no more unfrozen food into the freezer than will freeze within 24 hours (no more than 2 to 3 lbs of food per cubic foot [907-1,350 g per liter] of freezer space). Leave enough space in the freezer for air to circulate around packages. Be careful to leave enough room at the front so the door can close tightly.

Storage times will vary according to the quality and type of food, the type of packaging or wrap used, (airtight and moisture-proof), and the storage temperature. Ice crystals inside a sealed package are normal. This simply means that moisture in the food and air inside the package have condensed, creating ice crystals.

**NOTE:** Allow hot foods to cool at room temperature for 30 minutes, then package and freeze. Cooling hot foods before freezing saves energy.

---

# REFRIGERATOR FEATURES

---

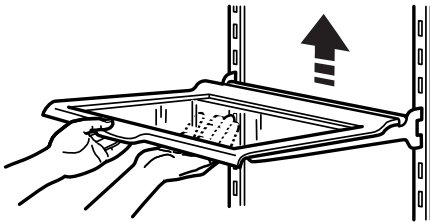
## Refrigerator Shelves

The shelves in your refrigerator are adjustable to match your individual storage needs.

Storing similar food items together in your refrigerator and adjusting the shelves to fit different heights of items will make finding the exact item you want easier. It will also reduce the amount of time the refrigerator door is open, and save energy.

### To remove a shelf:

1. Tilt up front of the shelf frame and lift it at the back.
2. Pull shelf frame straight out.



### To replace a shelf:

1. Guide the rear shelf hooks into the slots in the shelf supports on the back refrigerator wall.
2. Tilt up front of shelf frame until the rear hooks drop into the slots.
3. Lower the front of the shelf into position.

---

## Meat Drawer and Cover (on some models)

### To remove the meat drawer:

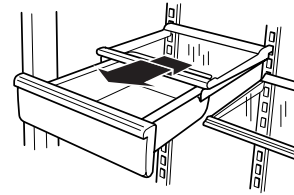
1. Slide meat drawer out to the stop.
2. Lift front of meat drawer with one hand while supporting bottom of drawer with other hand. Slide drawer out the rest of the way.
3. Replace by sliding the drawer back in fully past the drawer stop.

### To replace the meat drawer:

1. Guide the drawer into the meat cover supports
2. Push the drawer in until it stops

### To remove the cover (Style 1):

1. Remove meat drawer.
2. Tilt front of cover up.
3. Lift back of cover.
4. Pull cover straight out.

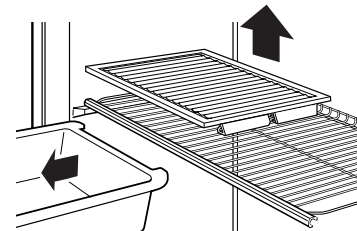


### To replace the cover:

1. Guide the cover's rear hooks into the slots in the shelf supports on the back wall.
2. Tilt cover up at the front until the rear hooks drop into the slots.
3. Lower front of cover to a level position and replace meat drawer.

### To remove the cover (Style 2):

1. Remove meat drawer.
2. Push cover back to release the rear of the cover from the shelf.
3. Tilt cover up at the front.
4. Pull cover forward and out.



### To replace the cover:

1. Fit notches and rear edge of cover over rear and center crossbars on the shelf.
2. Lower cover into place.
3. Replace the meat drawer.

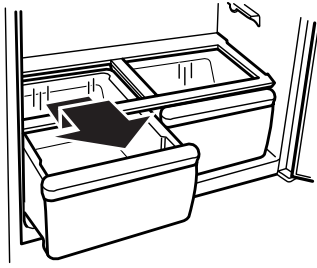
---

## Crisper and Crisper Cover (on some models)

### To remove the crisper:

1. Slide crisper straight out to the stop.
2. Lift the front.
3. Slide crisper out the rest of the way.

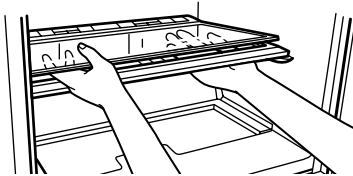
- Replace the crisper by sliding it back in fully past the drawer stop.



**To remove the crisper cover:**

- Remove both crispers.
- Holding glass insert firmly, grasp one side of crisper cover and lift the other side up from the bottom.
- Slide the glass insert out to remove.
- Lift cover frame up and remove.

**NOTE:** Before reinstalling the cover, make sure the U-shaped reinforcement bar is reinstalled.



**To replace crisper cover:**

- Fit back of cover frame into supports on side walls of the refrigerator.
- Lower front of the cover frame into place.
- Slide rear of glass insert into cover frame and lower front into place.

## Door Rails

The door rails may be removed for easier cleaning.

**Snap-on Door Rails**

**To remove the rails:**

- Remove all items from the shelf.
- Push in slightly on the front of the bracket while pulling out on the inside tab.
- Repeat these steps for the other end of the rail.



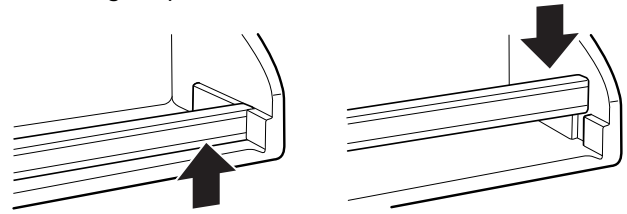
**To replace the rails:**

- Line up the ends of the brackets with the buttons on the sides of the door liner.
- Firmly snap bracket and rail assembly onto the tabs above the shelf as shown.

## Drop-in Door Rails

**To remove the rails:**

- Remove all items from the shelf.
- Pull straight up on each end of the rail.



**To replace the rails:**

- Slide the shelf rail into the slots on the door.
- Push the rail straight down until it stops.

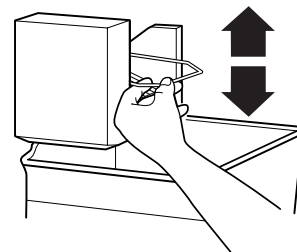
## Ice Maker Operation (on some models)

After the freezer section reaches normal freezer temperature, the ice maker fills with water and begins forming ice. Allow 24 hours to produce the first batch of ice. Ice maker should then produce approximately 7 to 9 batches of ice in a 24 hour-period. Discard the first three batches of ice produced to avoid impurities that may be flushed out of the system.

After ice is made, the ice cubes drop into the storage bin. When ice storage bin is full, ice maker arm raises to the "OFF" position (arm up). If ice is not needed, you can stop the ice maker by raising the arm to the "OFF" position (arm up). Listen for a click sound to be sure that the ice maker will not continue to operate.

To start ice maker, lower arm to the "ON" position (arm down). Do not force arm up or down. Do not store anything on top of the ice maker or in the ice storage bin.

- The ON/OFF lever for the ice maker is a wire signal arm located on the side of the ice maker. Push the arm down to start making ice automatically, and push it up to shut off the ice maker.



- It is normal for the ice cubes to be attached at the corners. They will break apart easily.
- The ice maker will not operate until the freezer is cold enough to make ice. This can take as long as overnight.



- If ice is not being made fast enough and more ice is needed, turn the Temperature Control toward a higher (colder) number in half number steps. (For example, if the control is at 3, move it to between 3 and 4.) Wait 24 hours and, if necessary, gradually turn the Temperature Control to the highest setting, waiting 24 hours between each increase.

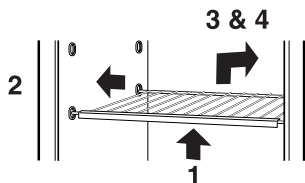
**REMEMBER:**

- The quality of your ice will be only as good as the quality of the water supplied to your ice maker.
- Avoid connecting the ice maker to a softened water supply. Water softener chemicals (such as salt) can damage parts of the ice maker and lead to poor quality ice. If a softened water supply cannot be avoided, make sure the water softener is operating properly and is well maintained.

## Freezer Shelf (on some models)

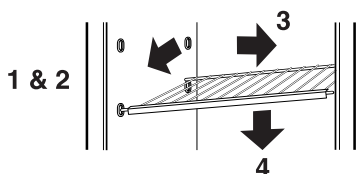
**To remove the shelf:**

1. Lift entire shelf slightly.
2. Move shelf all the way to one side.
3. Tilt other side up and out of shelf supports.
4. Pull shelf up and out.



**To replace the shelf:**

1. Tilt the shelf and insert into freezer compartment.
2. Insert one end of the shelf all the way into the center of the shelf supports.
3. Lower other end of shelf and insert into the shelf supports.
4. Lower shelf into place.



**NOTE:** The shelf should lower slightly and lock into place. If the shelf does not appear stable, make sure both ends of the shelf are inserted into the shelf supports.

# CARING FOR YOUR REFRIGERATOR

## Cleaning Your Refrigerator

**! WARNING**



**Explosion Hazard**

**Use nonflammable cleaner.**

**Failure to do so can result in death, explosion, or fire.**

Both the refrigerator and freezer sections defrost automatically. However, clean both sections about once a month to prevent odors from building up. Wipe up spills immediately.

**Energy Saving Tip:**

Clean the condenser coils regularly, as described in the cleaning chart in this section.

**To clean your refrigerator:**

- Unplug refrigerator or disconnect power.
- Remove all removable parts from inside, such as shelves, crispers, etc.
- Use a clean sponge or soft cloth and a mild detergent in warm water. Do not use abrasive or harsh cleaners.
- Hand wash, rinse, and dry all surfaces thoroughly.
- Plug in refrigerator or reconnect power.
- **Additional cleaning tips are listed below:**

PART	COMMENTS
<b>Outside</b>	<ul style="list-style-type: none"> <li>■ Waxing external painted metal surfaces helps provide rust protection. Do not wax plastic parts. Wax painted metal surfaces at least twice a year using appliance wax (or auto paste wax). Apply wax with a clean, soft cloth.</li> </ul>
<b>Inside walls</b> (allow freezer to warm up so cloth won't stick)	<ul style="list-style-type: none"> <li>■ To help remove odors, you can wash with a mixture of warm water and baking soda (2 tbs to 1 qt [26 g to .95 L] of water).</li> </ul>



PART	COMMENTS
<b>Door liners and gaskets</b>	<ul style="list-style-type: none"> <li>Do not use cleaning waxes, concentrated detergents, bleaches, or cleaners containing petroleum on plastic parts.</li> </ul>
<b>Plastic parts</b> (covers and panels)	<ul style="list-style-type: none"> <li>Do not use paper towels, window sprays, scouring cleansers or flammable fluids. These can scratch or damage material.</li> </ul>

## Changing the Light Bulbs

**NOTE:** Not all appliance bulbs will fit your refrigerator. Be sure to replace the bulb with one of the same size, shape, and wattage.

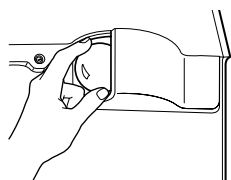
### To change the refrigerator light:

1. Unplug refrigerator or disconnect power.
2. Reach behind the Control Panel and unscrew the bulb.
3. Replace the bulb with an appliance bulb of the same wattage.
4. Plug in refrigerator or reconnect power.

### To change freezer light:

(on some models)

1. Unplug refrigerator or disconnect power.
2. Reach behind light shield to remove bulb.
3. Replace bulb with a 40-watt appliance bulb.
4. Plug in refrigerator or reconnect power.



## Power Interruptions

If the electricity in your house goes off, call the power company and ask how long it will be off.

1. If the power will be out for **24 hours or less**, keep **both refrigerator doors closed** to help foods stay cold and frozen.
2. If the power will be out for **more than 24 hours**:
  - a) Remove all frozen food and store it in a frozen food locker.

OR

- b) Place 2 lbs. (907 g) of dry ice in the freezer for every cubic foot (28 liters) of freezer space. This will keep the food frozen for two to four days. While handling dry ice, wear gloves to protect your hands from ice burns.

OR

- c) If neither a food locker nor dry ice is available, consume up or can perishable food at once.

**REMEMBER:** A full freezer stays cold longer than a partially filled one. A freezer full of meat stays cold longer than a freezer full of baked goods. If you see that food contains ice crystals, it may be safely refrozen, although the quality and flavor may be affected. If the condition of the food is poor, or if you feel it is unsafe, dispose of it.

## Vacation and Moving Care

### Vacations

**If you choose to leave the refrigerator on while you're away**, use these steps to prepare your refrigerator before you leave.

1. Use up any perishables and freeze other items.
2. If your refrigerator has an automatic ice maker:
  - Raise ice maker arm to OFF (up) position.
  - Shut off water supply to the ice maker.
3. Empty the ice bin.

**If you choose to turn the refrigerator off before you leave**, follow these steps.

1. Remove all food from the refrigerator.
2. If your refrigerator has an automatic ice maker:
  - Turn off the water supply to the ice maker at least one day ahead of time.
  - When the last load of ice drops, raise the ice maker arm to the OFF (up) position.
3. Depending on your model, turn the Thermostat Control (or Refrigerator Control, depending on the model) to OFF. See the "Setting the Controls" section.
4. Clean refrigerator, wipe it, and dry well.
5. Tape rubber or wood blocks to the tops of both doors to prop them open far enough for air to get in. This stops odor and mold from building up.

## Moving

When you are moving your refrigerator to a new home, follow these steps to prepare it for the move.

1. If your refrigerator has an automatic ice maker:
  - Turn off the water supply to the ice maker at least one day ahead of time.
  - Disconnect the water line from the back of the refrigerator.
  - When the last load of ice drops, raise the ice maker arm to the OFF (up) position.
2. Remove all food from the refrigerator and pack all frozen food in dry ice.
3. Depending on your model, turn the Thermostat Control (or Refrigerator Control, depending on the model) to OFF. See the "Setting the Controls" section.
4. Unplug the refrigerator.
5. Empty water from the defrost pan.
6. Clean, wipe, and dry thoroughly.
7. Take out all removable parts, wrap them well, and tape them together so they don't shift and rattle during the move.
8. Depending on the model, raise the front of the refrigerator so it rolls easier OR screw in the leveling legs so they don't scrape the floor. See the "Door Closing and Alignment" section.
9. Tape the doors shut and the power cord to the refrigerator cabinet.

When you get to your new home, put everything back and refer to the "Installing Your Refrigerator" section for preparation instructions. Also, if your refrigerator has an automatic ice maker, remember to reconnect the water supply to the refrigerator.

---

# TROUBLESHOOTING

**Try the solutions suggested here first in order to avoid the cost of an unnecessary service call.**

---

## Your refrigerator will not operate

---

- **Is the power supply cord unplugged?**  
Firmly plug the cord into a live outlet with proper voltage.
- **Has a household fuse or circuit breaker tripped?**  
Replace the fuse or reset the circuit.
- **Is the refrigerator control turned to the "OFF" position?**  
Refer to the "Setting the Control" section.
- **Is the refrigerator defrosting?**  
Recheck to see if the refrigerator is operating in 30 minutes. Your refrigerator will regularly run an automatic defrost cycle.

---

## The lights do not work

---

- **Is the power supply cord unplugged?**  
Firmly plug the cord into a live outlet with proper voltage.
- **Is a light bulb loose in the socket?**  
Turn the Temperature Control to OFF. Disconnect the refrigerator from the electrical supply. Gently remove the bulb and reinsert. Then reconnect the refrigerator to the electrical supply and reset the refrigerator control.
- **Has a light bulb burned out?**  
Replace with an appliance bulb of the same wattage, size, and shape. See the "Changing the Light Bulbs" section.

---

## There is water in the defrost drain pan

---

- **Is the refrigerator defrosting?**  
The water will evaporate. It is normal for water to drip into the defrost pan.
- **Is it more humid than normal?**  
Expect that the water in the defrost pan will take longer to evaporate. This is normal when it is hot or humid.

---

## The motor seems to run too much

---

- **Is the room temperature hotter than normal?**  
Expect the motor to run longer under warm conditions. At normal room temperatures, expect your motor to run about 40% to 80% of the time. Under warmer conditions, expect it to run even more of the time.
- **Has a large amount of food just been added to the refrigerator?**  
Adding a large amount of food warms the refrigerator. It is normal for the motor to run longer in order to cool the refrigerator back down. See the “Food Storage Guide” section.
- **Are the doors are opened often?**  
Expect the motor to run longer when this occurs. In order to conserve energy, try to get everything you need out of the refrigerator at once, keep food organized so it is easy to find, and close the door as soon as the food is removed.
- **Is the control set correctly for the surrounding conditions?**  
Refer to the “Setting the Control” section.
- **Are the doors closed completely?**  
Push the doors firmly shut. If they will not shut all the way, see “The doors will not close completely” later in this section.
- **Are the condenser coils dirty?**  
This prevents air transfer and makes the motor work harder. Clean the condenser coils. Refer to the “Cleaning Your Refrigerator” section.

**NOTE:** Your new refrigerator will run longer than your old one due to its high efficiency motor.

---

## The refrigerator seems to make too much noise

---

- **The sounds may be normal for your refrigerators.**  
Refer to the “Understanding Sounds You May Hear” section.

---

## The ice maker is not producing ice

---

- **Is the freezer temperature cold enough to produce ice?**  
Wait 24 hours after hook-up for ice production. See the “Setting the Control” section.
- **Is the ice maker arm in the “OFF” (arm up) position.**  
Lower arm to the “ON” (arm down) position. See the “Ice Maker Operation” section.
- **Is the water line shut-off valve to the refrigerator turned on?**  
Turn on the water valve. See the “Connecting the Refrigerator to a Water Source” section.

- **Is an ice cube jammed in the ejector arm?**  
Remove the ice from the ejector arm with a plastic utensil. Refer to the “Ice Maker Operation” section.
- **Does the ice maker mold have water in it or has no ice has been produced?**  
Check to see if your refrigerator has been connected to your home water supply and the supply shut-off valve is turned on. Refer to the “Connecting the Refrigerator to a Water Source” section.

**NOTE:** If not due to any of the above, there may be a problem with the water line. Call for service.

---

## The ice maker is producing too little ice

---

- **Has the ice maker just been installed?**  
Wait 72 hours for full ice production to begin. Once your refrigerator is cooled down, the ice maker should begin producing 70-120 cubes every 24 hours.
- **Has a large amount of ice just been removed?**  
Allow 24 hours for ice maker to produce more ice.
- **Is the control set correctly?**  
Refer to the “Setting the Control” section.
- **Is the water shut-off valve turned completely on?**  
Turn valve on fully. Refer to the “Connecting the Refrigerator to a Water Source” section.
- **Is there a water filter installed on the refrigerator? This filter may be clogged or installed incorrectly.**  
First, check the filter installation instructions to ensure that the filter was installed correctly and is not clogged. If installation or clogging is not a problem, call a qualified person or a technician.

---

## Off-taste or odor in the ice

---

- **Are the plumbing connections new, causing discolored or off-flavored ice?**  
Discard the first few batches of ice.
- **Have the ice cubes been stored for too long?**  
Throw old ice away and make a new supply.
- **Has food in the refrigerator been wrapped properly?**  
Refer to the “Food Storage Guide” section.
- **Do the freezer and ice bin need to be cleaned?**  
See the “Cleaning Your Refrigerator” section.
- **Does the water contain minerals (such as sulfur)?**  
A filter may need to be installed to remove the minerals.

---

## The divider between the two compartments is warm

---

The warmth is probably due to normal operation of the automatic exterior moisture control.

---

## Temperature is too warm

---

- **Are the air vents blocked in either compartment? This prevents the movement of cold air from the freezer to the refrigerator.**  
Remove any objects from in front of the air vents. Refer to “Ensuring Proper Air Circulation” for the location of air vents.
- **Are the door(s) opened often?**  
Be aware that the refrigerator will warm when this occurs. In order to keep the refrigerator cool, try to get everything you need out of the refrigerator at once, keep food organized so it is easy to find, and close the door as soon as the food is removed.
- **Has a large amount of food just been added to the refrigerator or freezer?**  
Adding a large amount of food warms the refrigerator. It can take several hours for the refrigerator to return to the normal temperature.
- **Is the control set correctly for the surrounding conditions?**  
Refer to the “Setting the Control” section.

---

## There is interior moisture build-up

---

- **Are the air vents blocked in the refrigerator?**  
Remove any objects from in front of the air vents. Refer to “Ensuring Proper Air Circulation” for the location of air vents.
- **Is the door opened often?**  
To avoid humidity build-up, try to get everything you need out of the refrigerator at once, keep food organized so it is easy to find, and close the door as soon as the food is removed. (When the door is opened, humidity from the room air enters the refrigerator. The more often the door is opened, the faster humidity builds up, especially when the room itself is very humid.)
- **Is the room humid?**  
It is normal for moisture to build up inside the refrigerator when the room air is humid.
- **Is the food packaged correctly?**  
Check that all food is securely wrapped. If necessary, repack food according to the guidelines in the “Food Storage Guide” section. Wipe off damp food containers before placing in the refrigerator.
- **Is the control set correctly for the surrounding conditions?**  
Refer to the “Setting the Control” section.
- **Was a self-defrost cycle completed?**  
It is normal for droplets to form on the back wall after the refrigerator self-defrosts.

---

## The doors are difficult to open

---

- **Are the gaskets dirty or sticky?**  
Clean gaskets and the surface that they touch. Rub a thin coat of paraffin wax on the gaskets following cleaning.

---

## The doors will not close completely

---

- **Are food packages blocking the door open?**  
Rearrange containers so that they fit more tightly and take up less space.
- **Is the ice bin out of position?**  
Push the ice bin in all the way.
- **Are the crisper cover, pans, shelves, bins, or baskets out of position?**  
Put the crisper cover and all pans, shelves, bins, and baskets back into their correct position. See the “Refrigerator Features” section for more information.
- **Are the gaskets sticking?**  
Clean gaskets and the surface that they touch. Rub a thin coat of paraffin wax on the gaskets following cleaning.
- **Does the refrigerator wobble or seem unstable?**  
Level the refrigerator. Refer to the “Door Closing and Alignment” section.
- **Were the doors removed during product installation and not properly replaced?**  
Remove and replace the doors according to the “Reversing the Door Swing” section, or call a qualified service technician.

---

# ASSISTANCE OR SERVICE

Before calling for assistance or service, please check "Troubleshooting." It may save you the cost of a service call. If you still need help, follow the instructions below.

When calling, please know the purchase date and the complete model and serial number of your appliance. This information will help us to better respond to your request.

## If you need replacement parts

If you need to order replacement parts, we recommend that you only use FSP® replacement parts. FSP® replacement parts will fit right and work right, because they are made with the same precision used to build every new Roper appliance. To locate FSP® replacement parts in your area, call our Consumer Assistance Center telephone number or your nearest designated service center.

---

## In the U.S.A.

Call the Roper Consumer Assistance Center :  
**1-616-923-7113.**

### Our consultants provide assistance with:

- Features and specifications on our full line of appliances.
- Installation information.
- Use and maintenance procedures.
- Accessory and repair parts sales.
- Specialized customer assistance (Spanish speaking, hearing impaired, limited vision, etc.).
- Referrals to local dealers, repair parts distributors, and service companies. Whirlpool designated service technicians are trained to fulfill the product warranty and provide after-warranty service, anywhere in the United States.

To locate the Whirlpool designated service company in your area, you can also look in your telephone directory Yellow Pages.

### For further assistance

If you need further assistance, you can write to Whirlpool with any questions or concerns at:

Whirlpool Brand Home Appliances  
Consumer Assistance Center  
c/o Correspondence Dept.  
2000 North M-63  
Benton Harbor, MI 49022-2692

Please include a daytime phone number in your correspondence.

---

## In Canada

Call the Inglis Limited Consumer Assistance Center toll free: **1-800-461-5681** 8:30 a.m. - 6:00 p.m. (EST)

### Our consultants provide assistance with:

- Features and specifications on our full line of appliances.
- Referrals to local dealers.

### For service in Canada

Call **1-800-807-6777**. Inglis Limited designated service technicians are trained to fulfill the product warranty and provide after-warranty service, anywhere in Canada.

### For further assistance

If you need further assistance, you can write to Inglis Limited with any questions or concerns at:

Consumer Relations Center  
Inglis Limited  
1901 Minnesota Court  
Mississauga, Ontario L5N 3A7

Please include a daytime phone number in your correspondence.

# SÉCURITÉ DU RÉFRIGÉRATEUR

## Votre sécurité et celle des autres est très importante.

Nous donnons de nombreux messages de sécurité importants dans ce manuel et sur votre appareil ménager. Assurez-vous de toujours lire tous les messages de sécurité et de vous y conformer.



Voici le symbole d'alerte de sécurité.

Ce symbole d'alerte de sécurité vous signale les dangers susceptibles de causer le décès et des blessures graves à vous et à d'autres.

Tous les messages de sécurité seront précédés du symbole d'alerte de sécurité et du mot "DANGER" ou "AVERTISSEMENT". Ces mots signifient :

**! DANGER**

**Risque certain de décès ou de blessure grave si vous ne suivez pas les instructions.**

**! AVERTISSEMENT**

**Risque possible de décès ou de blessure grave si vous ne suivez pas les instructions.**

Tous les messages de sécurité identifient le danger et vous disent comment réduire le risque de blessure et ce qui peut se produire en cas de non-respect des instructions.

## IMPORTANTES INSTRUCTIONS DE SÉCURITÉ

**AVERTISSEMENT** : Pour réduire les risques d'incendie, de choc électrique ou des blessures lors de l'utilisation du réfrigérateur, prendre quelques précautions fondamentales, y compris les suivantes :

- Brancher l'appareil sur une prise à 3 alvéoles reliée à la terre.
- Ne pas enlever la broche de liaison à la terre.
- Ne pas utiliser un adaptateur.
- Ne pas utiliser un câble de rallonge.
- Utiliser deux ou plus de personnes pour déplacer et installer le réfrigérateur.
- Débrancher la source de courant électrique avant l'entretien.
- Replacer tous les panneaux avant de faire la remise en marche.
- Utiliser un produit de nettoyage ininflammable.
- Garder les matériaux et les vapeurs inflammables, telle que l'essence, loin du réfrigérateur.
- Débrancher le réfrigérateur avant l'installation de la machine à glaçons.
- Utiliser un verre robuste pour prendre des glaçons ou de l'eau (sur certains modèles).
- Enlever les portes de votre vieux réfrigérateur.

## CONSERVEZ CES INSTRUCTIONS

## Mise au rebut de votre vieux réfrigérateur

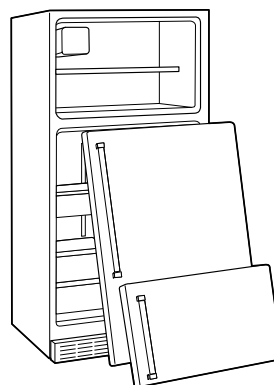
**! AVERTISSEMENT**

**Risque de suffoquer**

**Enlever les portes de votre vieux réfrigérateur. Le non-respect de cette instruction peut causer un décès ou des lésions cérébrales.**

## Avant de jeter votre vieux réfrigérateur ou congélateur :

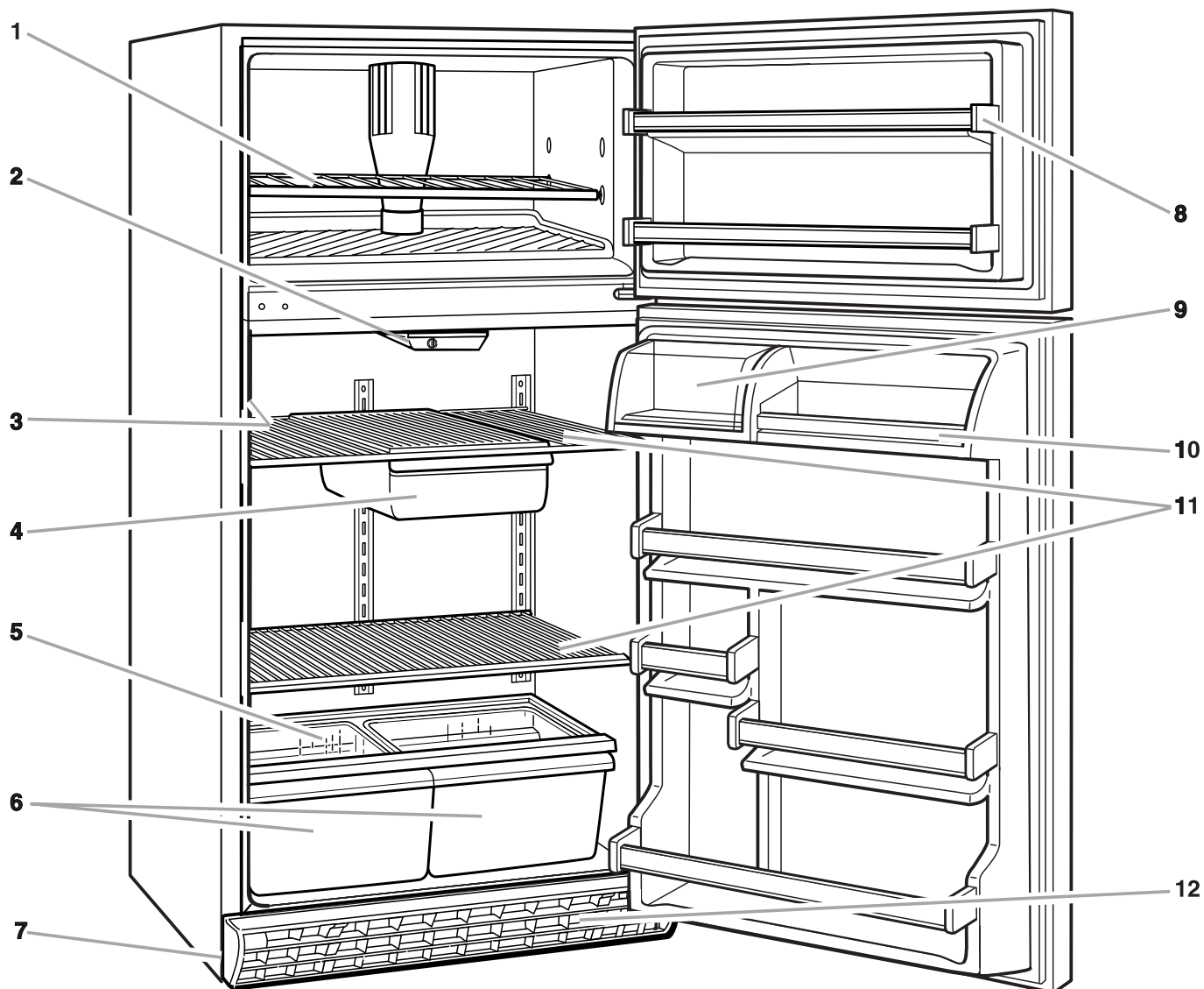
- Enlever les portes.
- Laisser les tablettes en place de sorte que les enfants ne peuvent pas y pénétrer facilement.



**IMPORTANT** – L'emprisonnement et l'étouffement des enfants ne sont pas un problème du passé. Les réfrigérateurs jetés ou abandonnés sont encore dangereux, même s'ils sont laissés abandonnés pendant "quelques jours seulement". Si vous vous débarrassez de votre vieux réfrigérateur, veuillez suivre les instructions suivantes pour aider à éviter les accidents.

# PIÈCES ET CARACTÉRISTIQUES

Ce manuel couvre plusieurs modèles différents. Le réfrigérateur que vous avez acheté peut comporter une partie ou l'ensemble des articles mentionnés. L'emplacement des caractéristiques peut ne pas correspondre à celui de votre modèle.



1. Clayette de congélateur (sur certains modèles)
2. Tableau de commande
3. Fiche signalétique des numéros de modèle et de série
4. Bac à viande (sur certains modèles)
5. Couvercle de bac à légumes (sur certains modèles)
6. Bacs à légumes (sur certains modèles)
7. Roulettes de mise d'aplomb
8. Tringles de porte emboîtables
9. Compartiment utilitaire (sur certains modèles)

10. Tringle dans la porte
11. Tablettes de verre ou clayettes réglables
12. Grille de la base

## Autres pièces et caractéristiques

(non illustrées ci-dessus/facultatives sur certains modèles)

- Machine à glaçons automatique
- Plateaux pour glaçons
- Oeufrier/contenant utilitaire

# INSTALLATION DU RÉFRIGÉRATEUR

## Déballage de votre réfrigérateur

### ⚠ AVERTISSEMENT

#### Risque du poids excessif

Utiliser deux ou plus de personnes pour déplacer et installer le réfrigérateur.

Le non-respect de cette instruction peut causer une blessure au dos ou d'autre blessure.

### Enlèvement des matériaux d'emballage

- Enlever le ruban adhésif et toutes les étiquettes de votre réfrigérateur avant de l'utiliser (excepté l'étiquette des numéros de modèle et de série).

Pour enlever ce qui reste du ruban adhésif ou de la colle, frotter la surface vivement avec le pouce. La colle ou l'adhésif qui reste peut être facilement enlevé par frottement avec les doigts et une petite quantité de savon liquide pour la vaisselle sur l'adhésif. Rincer à l'eau tiède et essuyer.

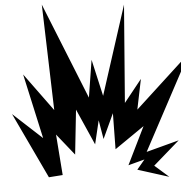
- Ne pas utiliser d'instruments coupants, d'alcool à friction, de liquides inflammables ou de nettoyants abrasifs pour enlever le ruban adhésif ou la colle. Ces produits peuvent endommager la surface de votre réfrigérateur. Voir "Importantes instructions de sécurité" pour plus de renseignements, à la section "Sécurité du réfrigérateur".
- Sur certains modèles, des tablettes, bacs, glissières de tablettes dans la porte et autres pièces peuvent être emballés dans des sacs spéciaux de finition FeaturePak. Suivre les instructions contenues dans l'emballage pour le montage approprié.

### IMPORTANT :

- Selon le modèle que vous avez, ne pas enlever les étiquettes permanentes d'instruction à l'intérieur du réfrigérateur, ou la fiche technique fixée à la base de la grille.
- Selon le modèle que vous avez, ne pas enlever l'encart en mousse Styrofoam blanche situé derrière le panneau de réglage au plafond du réfrigérateur. L'encart fait partie du réfrigérateur et n'est pas un matériau d'emballage. Si l'encart est enlevé, de la glace peut se former en provenance du congélateur et causer la formation de glaçons.

## Espacement requis

### ⚠ AVERTISSEMENT

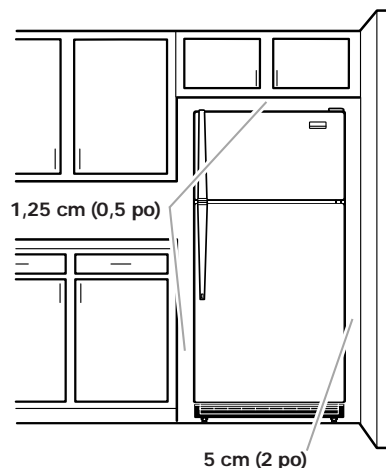


#### Risque d'explosion

Garder les matériaux et les vapeurs inflammables, telle que l'essence, loin du réfrigérateur.

Le non-respect de cette instruction peut causer un décès, une explosion ou un incendie.

- Pour obtenir une aération appropriée pour votre réfrigérateur, laisser un espace de ½ po (1,25 cm) de chaque côté et au sommet.



- Si votre réfrigérateur comporte une machine à glaçons, s'assurer qu'un espace additionnel est prévu à l'arrière pour permettre les connexions des conduits d'eau. Le réfrigérateur peut être près du mur arrière si vous ne faites pas installer une machine à glaçons.
- Si vous installez votre réfrigérateur près d'un mur fixe, laisser un minimum de 2 pouces du côté des charnières (selon le modèle) pour permettre à la porte de s'ouvrir sans obstruction.

**REMARQUE :** Ne pas installer le réfrigérateur près d'un four, d'un radiateur ou d'une autre source de chaleur, ni dans un endroit où la température baissera au-dessous de 13° C (55° F).



## Spécifications électriques

### ⚠ AVERTISSEMENT



#### Risque de choc électrique

**Brancher sur une prise à 3 alvéoles reliée à la terre.**

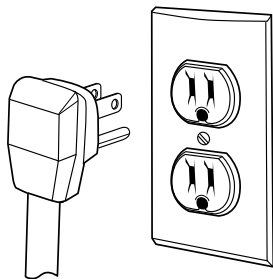
**Ne pas enlever la broche de liaison à la terre.**

**Ne pas utiliser un adaptateur.**

**Ne pas utiliser un câble de rallonge.**

**Le non-respect de ces instructions peut causer un décès, un incendie ou un choc électrique.**

Avant de placer le réfrigérateur à son emplacement final, il est important de vous assurer d'avoir la connexion électrique appropriée :



#### Méthode recommandée de mise à la terre

Une source d'alimentation de 115 volts, 60 Hz, type 15 ou 20 ampères CA seulement, protégée par fusibles et adéquatement mise à la terre est nécessaire. Il est recommandé d'utiliser un circuit distinct pour alimenter uniquement votre réfrigérateur. Utiliser une prise murale qui ne peut pas être mise hors circuit à l'aide d'un commutateur. Ne pas employer de rallonge.

**REMARQUE :** Avant d'exécuter toute cette installation, nettoyage ou remplacement d'une ampoule d'éclairage, tourner le réglage du thermostat (ou le réglage du réfrigérateur selon le modèle) à OFF (arrêt) et débrancher ensuite le réfrigérateur de la source d'alimentation électrique. Lorsque vous avez terminé, reconnecter le réfrigérateur à la source d'alimentation électrique et mettre de nouveau le réglage du thermostat (ou réglage du réfrigérateur) au réglage désiré.

## Raccordement du réfrigérateur à une canalisation d'eau

**Lire attentivement toutes les instructions avant de commencer.**

### IMPORTANT :

- Si on doit utiliser le réfrigérateur avant qu'il soit raccordé à la canalisation d'eau, placer la commande de la machine à glaçons à la position d'arrêt (OFF) pour empêcher que la machine à glaçons fonctionne sans eau.
- Toutes les installations doivent être conformes aux exigences des codes locaux de plomberie.
- Utiliser un tube en cuivre et vérifier s'il y a des fuites.
- Installer les tubes en cuivre seulement à des endroits où la température se maintient au-dessus du point de congélation.
- Une période d'attente allant jusqu'à 24 heures est nécessaire avant que l'appareil commence à produire des glaçons.

### Outils requis :

- Tournevis standard
- Clés plates de 7/16-po et 1/2-po ou deux clés à molette réglables
- Tourne-écrou de 1/4-po
- Foret de 1/4-po
- Perceuse manuelle ou perceuse électrique (convenablement reliée à la terre).

**REMARQUE :** Votre marchand de réfrigérateurs présente une trousse disponible avec un robinet de genre à selle de 1/4-po, un raccord et un tube en cuivre. Avant l'achat, s'assurer que le robinet de genre à selle est conforme à vos codes locaux de plomberie. Ne pas employer de robinet de genre à selle ou de 3/16-po de type à percer, ce qui réduit le débit d'eau et cause une obstruction plus facilement.

## Arrivée d'eau froide

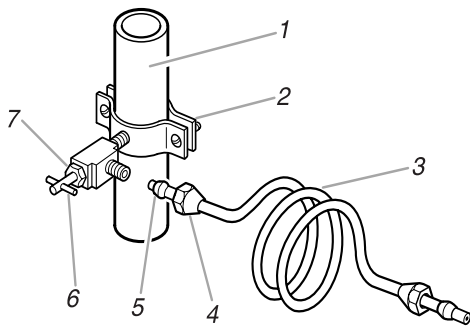
La valve d'entrée d'eau de la machine à glaçons comprend une rondelle de contrôle du débit, qui est utilisée comme élément de régulation de la pression d'eau. La machine à glaçons a besoin d'être connectée à une canalisation d'eau froide avec limitations de pression d'eau de 30 à 120 lb-po<sup>2</sup>. Si un problème survient, contacter la compagnie de distribution d'eau.

### Raccordement à une canalisation d'eau :

1. Débrancher le réfrigérateur ou déconnecter la source de courant électrique.
2. Fermer (OFF) le robinet principal d'arrivée d'eau. Ouvrir (ON) le robinet de puisage le plus proche pendant une période suffisante pour que la canalisation d'eau se vide.
3. Trouver une canalisation d'eau FROIDE verticale de 1,3 à 3,2 cm (1/2-po à 1 1/4-po) près du réfrigérateur.

**REMARQUE :** On peut alimenter le réfrigérateur à partir d'une canalisation horizontale, mais on doit alors observer les précautions suivantes : percer par le dessus de la canalisation et non pas par le dessous. Ainsi, l'eau ne risquera pas d'arroser la perceuse. Ceci empêche également les sédiments qu'on trouve normalement dans l'eau de s'accumuler dans le robinet d'arrêt.

4. Pour déterminer la longueur du tube en cuivre, il faut mesurer la distance entre le point de connexion à gauche au bas à l'arrière du réfrigérateur et le tuyau d'arrivée d'eau. Ajouter une longueur de 7 pieds (2,1 m) pour permettre le déplacement du réfrigérateur pour le nettoyage. Utiliser un tube en cuivre de 1/4 po de diamètre. Veiller à ce que le tube soit coupé d'équerre aux deux extrémités.
5. À l'aide d'une perceuse électrique reliée à la terre, percer un trou de 1/4-po dans le tuyau de canalisation d'eau froide choisie.

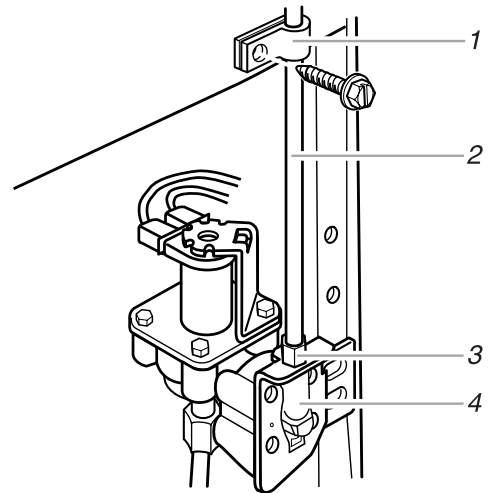


1. Canalisation d'eau froide
2. Bride de tuyau
3. Tube en cuivre
4. Écrou de compression
5. Bague de compression
6. Robinet d'arrêt
7. Écrou de serrage

6. Fixer le robinet sur la canalisation d'eau froide avec la bride de prise en charge. Vérifier que le raccord du robinet est bien engagé dans le trou de 1/4-po percé dans la canalisation et que la rondelle d'étanchéité est placée sous la bride de prise en charge. Serrer l'écrou de serrage sur la tige du robinet. Serrer soigneusement et uniformément les vis fixant la bride de prise en charge sur la tuyauterie afin que la rondelle forme une jonction étanche. Ne pas serrer excessivement car ceci pourrait provoquer l'écrasement du tube en cuivre, particulièrement s'il s'agit d'un tube en cuivre malléable. On est maintenant prêt à connecter le tube de raccordement en cuivre.
7. Enfiler l'écrou et la bague de compression du raccord sur le tube en cuivre comme on le voit sur l'illustration. Insérer l'extrémité du tube aussi loin que possible dans l'ouverture de sortie du robinet. Visser l'écrou du raccord de compression sur le raccord de sortie avec une clé à molette. Ne pas serrer excessivement.
8. Placer le bout libre du tube dans l'évier et OUVRIER le robinet principal d'arrivée d'eau et laisser l'eau s'écouler par le tube jusqu'à ce que l'eau soit limpide. FERMER le robinet principal d'arrivée d'eau. Enrouler le tube en cuivre en spirale.

### Raccordement au réfrigérateur :

1. Connecter le tube en cuivre au robinet d'eau en utilisant un écrou et une bague de compression tel qu'illustré. Serrer l'écrou de compression. Ne pas serrer excessivement. Réattacher la bride du tube et le tube à l'arrière de la caisse. Passer à l'étape 2.
2. **OUVRIR le robinet d'arrêt. Inspecter pour rechercher les fuites.** Serrer tous les raccords (y compris les raccords de la valve d'entrée d'eau) ou les écrous qui coulent.



1. Bride du tube
2. Tube en cuivre
3. Bague de compression
4. Entrée d'eau de la valve

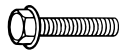
3. La machine à glaçons est équipée d'un filtre à eau incorporé. Si la qualité de l'eau distribuée localement nécessite un nettoyage périodique, ou si l'eau qui alimente l'appareil provient d'un puits, il serait utile d'installer un deuxième filtre dans le tube de raccordement de 1/4-po. On peut obtenir un tel filtre à eau chez le marchand d'appareils électroménagers le plus proche. Installer le filtre au niveau de n'importe laquelle des connexions du tube de raccordement.
4. Brancher le réfrigérateur ou reconnecter la source de courant électrique.

---

## Inversion du sens d'ouverture des portes

### OUTILS REQUIS :

Clé à douille hexagonale de 5/16-po, tournevis Phillips n° 2, tournevis à lame plate, clé à bout ouvert de 1/2-po, couteau à mastic plat de 2 pouces.



*Vis hexagonale de 5/16 po de charnière*



*Vis d'arrêt de porte*



*Vis de fixation (sommets de portes)*

**SUGGESTION :** L'inversion du sens d'ouverture des portes devrait être exécutée par une personne qualifiée.

**IMPORTANT :** Avant de commencer, tourner l'interrupteur du réfrigérateur à OFF (ARRÊT) et le débrancher. Déménager les aliments du réfrigérateur, du congélateur et les deux portes à un autre réfrigérateur ou à une glacière. Sur certains modèles, il faudra enlever les balconnets de porte réglables.

### Pour enlever les portes des charnières :

1. Ouvrir la porte du réfrigérateur et enlever la grille de la base de la partie inférieure avant du réfrigérateur. (Voir la section "Grille de la base".)
2. Fermer les portes du réfrigérateur et garder les deux portes fermées jusqu'au moment où elles sont prêtes à être enlevées du cabinet.

**REMARQUE :** Ne pas se fier aux aimants de porte pour maintenir les portes en place pendant que vous travaillez. Prévoir un appui additionnel des portes pendant que vous enlevez les charnières.

3. Enlever les vis et composants pour la charnière supérieure tel qu'indiqué.
4. Enlever la porte du congélateur.
5. Enlever la butée de porte à la partie inférieure de la porte du congélateur tel qu'indiqué dans l'illustration de la charnière centrale. Réinstaller la butée de porte sur le côté opposé de la porte du congélateur.

**REMARQUE :** S'assurer de placer la butée de porte dans la bonne position, en se servant du trou le plus proche du devant de la porte.

6. Enlever les vis des composants pour la charnière centrale tel qu'indiqué.
7. Enlever la porte du réfrigérateur.
8. Enlever la butée de porte à la partie inférieure de la porte du réfrigérateur tel qu'indiqué dans l'illustration de la charnière inférieure. Réinstaller la butée de porte du réfrigérateur sur le côté opposé de la porte du réfrigérateur.

**REMARQUE :** S'assurer de placer la butée de porte dans la bonne position, en se servant du trou le plus proche du devant de la porte.

9. Enlever les vis et composants de la charnière inférieure tel qu'indiqué.

**REMARQUE :** Si on inverse les poignées, on devrait les déplacer alors que les portes sont enlevées du réfrigérateur. Suivre les instructions à la section "Inversion du sens d'ouverture des portes".

### Pour réinstaller les portes sur les charnières :

1. Enlever les bouchons couvrant les trous des vis au côté opposé du réfrigérateur, en utilisant un couteau à mastic.
2. Réinstaller les composants et les vis tel qu'indiqué, en commençant par la charnière inférieure. Serrer les vis avec une clé.
3. Réinstaller la porte du réfrigérateur.

**REMARQUE :** Ne pas se fier aux aimants de porte pour maintenir les portes en place pendant que vous travaillez. Prévoir un appui additionnel des portes pendant que vous enlevez les charnières.

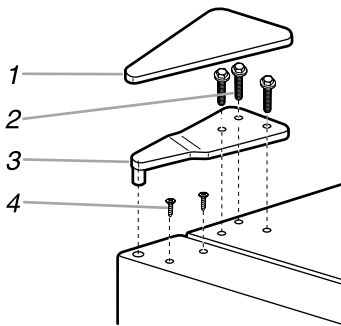
4. Réinstaller les composants et les vis pour la charnière centrale tel qu'indiqué. Ne pas les serrer complètement.
5. Enlever le bouchon du trou de la charnière supérieure et le réinstaller de l'autre côté.

6. Réinstaller la porte du congélateur.
7. Réinstaller les composants et les vis pour la charnière supérieure tel qu'indiqué. Ne pas les serrer complètement.
8. Aligner les portes pour qu'elle soient centrées entre les côtés du cabinet et parallèles l'une à l'autre. Ajuster les charnières centrale et supérieure au besoin. **Serrer toutes les vis.**

**REMARQUE :** Si les portes ne ferment pas d'elles-mêmes, voir la section "Fermeture et alignement des portes".

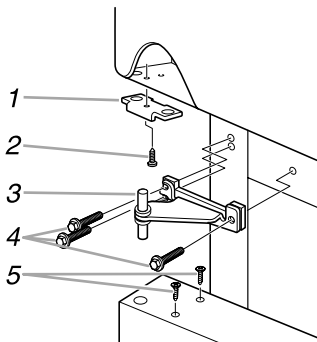
9. Veiller à obturer toutes les ouvertures, soit avec les bonnes vis ou bouchons de trou. L'humidité pénétrera par toute ouverture non obturée.
10. Réinstaller les balconnets de la porte et la grille de la base. (Voir la section "Grille de la base".)
11. Brancher le réfrigérateur et régler de nouveau les commandes. (Voir la section "Réglage des commandes".) Quand le réfrigérateur s'est refroidi, y remettre les aliments.

### Charnière supérieure



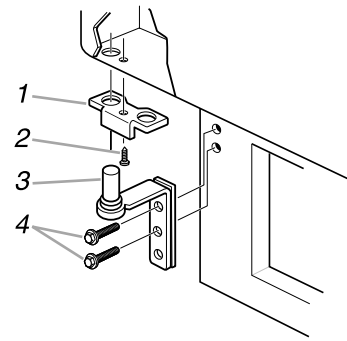
1. Couverture
2. Vis à tête hexagonale pour charnière
3. Charnière supérieure
4. Vis de fixation

### Charnière centrale



1. Butée de porte du congélateur
2. Vis de butée de porte du congélateur
3. Cheville de charnière
4. Vis à tête hexagonale pour charnière
5. Vis de fixation

### Charnière inférieure



1. Butée de porte du réfrigérateur
2. Vis de butée de porte du réfrigérateur
3. Cheville de charnière
4. Vis à tête hexagonale pour charnière

## Inversion des poignées de porte

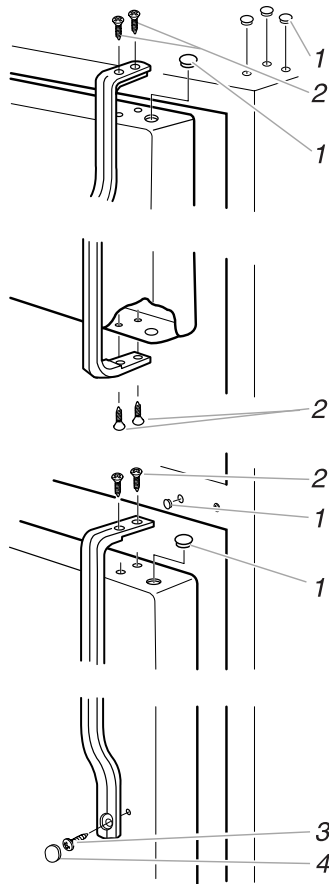
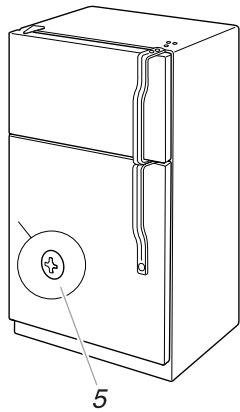
1. Enlever le montage de la poignée du congélateur comme illustré. Garder toutes les pièces ensemble.
2. Enlever la garniture et ôter la vis.
3. Enlever la poignée du réfrigérateur tel qu'indiqué. Conserver les pièces ensemble.

#### Pour réinstaller la poignée du congélateur :

1. Positionner la poignée du congélateur du côté opposé de la porte du congélateur et installer les 2 vis supérieures à tête noyée.
2. Installer les 2 vis inférieures à tête noyée.
3. Serrer toutes les vis.

#### Pour réinstaller la poignée du réfrigérateur :

1. Enlever le bouchon du trou de la porte du réfrigérateur et le visser en place au côté opposé.
2. Positionner la poignée du réfrigérateur sur la porte du réfrigérateur et la fixer au sommet avec les 2 vis à tête noyée.
3. Aligner la portion inférieure de la poignée et la fixer au réfrigérateur avec une vis à tête noyée.
4. Réinstaller la garniture inférieure de la poignée du réfrigérateur. Aligner le bord supérieur de la garniture avec les encoches dans la partie inférieure de la poignée et la glisser en place vers le haut.



1. Bouchons
2. Vis de comptoir
3. Vis de poignée
4. Couvercle de vis
5. Bouchon

## Grille de la base

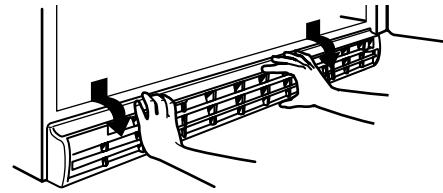
### Pour enlever la grille de la base :

1. Ouvrir la porte du réfrigérateur.
2. Saisir la grille avec les deux mains.
3. Soulever et incliner la base de la grille vers vous.

**REMARQUE :** Ne pas enlever la fiche technique fixée derrière la grille.

### Pour remplacer la grille :

1. Ouvrir la porte du réfrigérateur.
2. Placer les agrafes supérieures dans les ouvertures sur le panneau en métal.
3. Abaisser la grille vers le réfrigérateur jusqu'à son enclenchement en place.



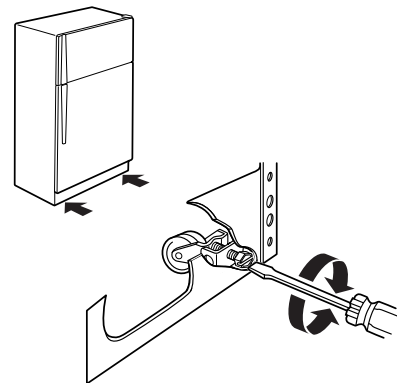
## Fermeture et alignement des portes

### Fermeture des portes

Votre réfrigérateur présente 2 roulettes réglable à l'avant – l'une do côté droit et l'autre du côté gauche. Si votre réfrigérateur semble instable ou si vous désirez que les portes se ferment plus facilement, faire le réglage de l'inclinaison du réfrigérateur en suivant les instructions ci-dessous :

1. Brancher le cordon d'alimentation électrique du réfrigérateur dans une prise de courant à 3 alvéoles reliée à la terre. Placer le réfrigérateur à son emplacement final.
2. Enlever la grille de la base (voir "Grille de la base" au début de cette section). Les deux vis de nivellement font partie des montages de roulettes avant qui sont à la base du réfrigérateur d'un côté et de l'autre.
3. Utiliser un tournevis pour ajuster les vis de nivellement. Tourner la vis de nivellement vers la droite pour soulever ce côté du réfrigérateur ou tourner la vis de nivellement vers la gauche pour abaisser ce côté. Plusieurs tours des vis de nivellement peuvent être nécessaires pour régler l'inclinaison du réfrigérateur.

**REMARQUE :** Si une autre personne pousse le haut du réfrigérateur, le poids devient moins lourd sur les vis de nivellement et les roulettes, ce qui rend plus facile l'ajustement des vis.



4. Ouvrir les deux portes de nouveau et vérifier pour s'assurer qu'elles se ferment aussi facilement que vous le désirez. Sinon, inclinez le réfrigérateur un peu plus vers l'arrière en tournant les deux vis de nivellement vers la droite. Plusieurs tours peuvent être nécessaires et vous devez tourner les deux vis de nivellement d'un espace égal.
5. Réinstaller la grille de la base.

## Alignement des portes

Si l'espace entre les portes semble inégal, on peut faire le réglage en suivant les instructions ci-dessous :

1. Soulever et enlever le couvercle de la charnière supérieure.
2. Dégager la vis de la charnière supérieure en utilisant une douille de  $\frac{5}{16}$  po ou une clé à molette.
3. Demander à une personne de tenir la porte en place ou placer un espaceur entre les portes pendant que vous serrez les vis de la charnière supérieure.
4. Réinstaller le couvercle sur la charnière.

## Les bruits de l'appareil que vous pouvez entendre

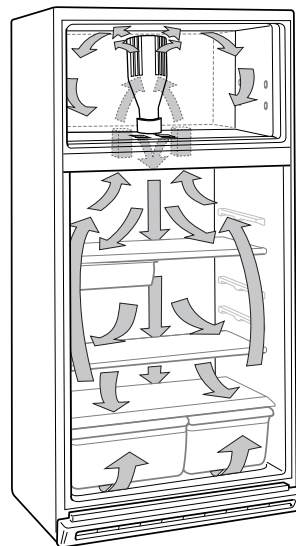
Il est possible que le réfrigérateur neuf émette des bruits que l'appareil précédent ne produisait pas. Comme ces bruits sont nouveaux, ils peuvent vous inquiéter. La plupart de ces nouveaux bruits sont normaux. Des surfaces dures comme le plancher, les murs et les armoires peuvent faire paraître les bruits plus forts qu'en réalité. Les descriptions suivantes indiquent le genre de bruits et leur origine.

- Si votre appareil est équipé d'une machine à glaçons, vous entendrez un bruit de gargouillement lorsque la valve d'eau s'ouvre pour remplir la machine à glaçons pour chaque programme.
- La minuterie du dégivreur produit un déclic au début et à la fin du programme de dégivrage. Le thermostat et le réglage feront aussi entendre un déclic lors de la mise en marche et de l'arrêt du programme.
- Les vibrations sonores peuvent provenir de l'écoulement du réfrigérant, de la canalisation d'eau ou d'articles placés sur le réfrigérateur.
- Votre réfrigérateur est conçu pour fonctionner plus efficacement afin de garder les aliments à la température désirée. Le compresseur très efficace peut faire fonctionner votre réfrigérateur neuf plus longtemps que l'ancien et vous pouvez entendre des bruits aigus ou des vibrations sonores.
- L'eau qui dégoutte sur le dispositif de chauffage durant le programme de dégivrage peut produire un grésillement.
- Vous pouvez entendre le moteur du ventilateur d'évaporation qui fait circuler l'air dans le réfrigérateur et le congélateur.
- À la fin de chaque programme, vous pouvez entendre un gargouillement attribuable au réfrigérant qui se trouve dans votre réfrigérateur.
- La contraction et l'expansion des parois internes peuvent produire un bruit sec.
- Vous pouvez entendre de l'air qui est transmis au condenseur dans le ventilateur du condenseur.
- Vous pouvez entendre l'écoulement de l'eau dans le plat de récupération d'eau de dégivrage pendant le programme de dégivrage.

# UTILISATION DU RÉFRIGÉRATEUR

## Pour s'assurer d'une circulation d'air appropriée

Pour s'assurer d'avoir des températures appropriées, il faut permettre à l'air de circuler entre les deux sections du réfrigérateur et du congélateur. Comme l'indique l'illustration, l'air froid pénètre à la base de la section du congélateur et se déplace vers le haut. La plus grande partie de l'air circule ensuite à travers la section du congélateur et recircule sur le plancher du congélateur. Le reste de l'air pénètre dans la section du réfrigérateur en passant par l'ouverture d'aération supérieure.



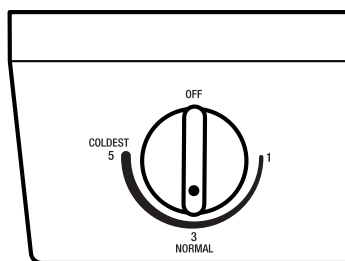
**Ne pas obstruer l'une ou l'autre de ces ouvertures d'aération** avec des aliments emballés. Si les ouvertures d'aération sont bloquées, le courant d'air sera empêché et des problèmes de température et d'humidité peuvent survenir.

**IMPORTANT :** Comme l'air circule entre les deux sections, toutes les odeurs formées dans une section seront transférées à l'autre. Vous devez nettoyer à fond les deux sections pour éliminer les odeurs. Pour empêcher le transfert d'odeurs et l'assèchement des aliments, envelopper ou recouvrir légèrement les aliments. (Voir les détails à la section "Guide d'entreposage des aliments".)

## Réglage des commandes

Pour votre commodité, la commande du réfrigérateur est réglée à l'usine. La commande pour le réfrigérateur et le congélateur est située au sommet de la section de réfrigération. Elle contrôle la température dans les compartiments de réfrigération et de congélation.

Au moment de l'installation initiale du réfrigérateur, s'assurer que la commande de température devrait se trouver au "réglage moyen" (3), comme dans l'illustration ci-dessous.



**REMARQUE :** Tourner la commande de température à OFF interrompt le refroidissement dans les compartiments de réfrigération et de congélation, mais ne débranche pas le réfrigérateur de l'alimentation électrique.

Donner au réfrigérateur le temps de se refroidir complètement avant d'y ajouter des aliments. Il vaut mieux attendre 24 heures avant de placer des aliments dans le réfrigérateur.

**IMPORTANT:** Si vous ajoutez des aliments avant que le réfrigérateur ne soit complètement refroidi, vos aliments peuvent se gâter. **Tourner la commande de température à un niveau plus élevé (plus froid) que le réglage recommandé ne refroidira pas les compartiments plus vite.**

## Ajustement des réglages de commande

Donner au réfrigérateur le temps de refroidir complètement avant d'ajouter des aliments. Il vaut mieux attendre 24 heures avant de placer des aliments dans le réfrigérateur. Les réglages moyens indiqués à la section précédente devraient être corrects pour l'utilisation normale du réfrigérateur domestique. Les réglages sont faits correctement lorsque le lait ou le jus est aussi froid que vous les aimez et lorsque la crème glacée est ferme.

Le réglage de la température fonctionne comme un thermostat pour tout appareil (réfrigérateur et congélateur). Plus le numéro est élevé sur le réglage, plus le compresseur fonctionnera longtemps pour maintenir la température plus froide.

Utiliser les réglages indiqués au tableau ci-dessous comme guide. **Toujours se souvenir d'attendre au moins 24 heures entre les ajustements.**

CONDITION/RAISON :	AJUSTEMENT RECOMMANDÉ :
<b>Section du RÉFRIGÉRATEUR trop tiède</b> <ul style="list-style-type: none"><li>■ Portes fréquemment ouvertes</li><li>■ Grande quantité d'aliments ajoutée</li><li>■ Température ambiante très chaude</li></ul>	<b>Tourner le réglage du TEMPÉRATURE au numéro plus élevé suivant, attendre 24 heures, puis vérifier de nouveau.</b>
<b>Section du CONGÉLATEUR trop tiède/glaçons non préparés assez vite</b> <ul style="list-style-type: none"><li>■ Porte fréquemment ouverte</li><li>■ Grande quantité d'aliments ajoutée</li><li>■ Température ambiante très froide (programme en fonctionnement trop peu fréquent)</li><li>■ Usage intense de glaçons</li><li>■ Articles bloquant la diffusion d'air</li></ul>	<b>Tourner le réglage du TEMPÉRATURE au numéro plus ÉLEVÉ suivant, attendre 24 heures, puis vérifier de nouveau.</b>  <b>Déplacer les articles du courant d'air.</b>
<b>Section du RÉFRIGÉRATEUR trop froide</b> <ul style="list-style-type: none"><li>■ Réglages non correctement faits pour les conditions existantes</li></ul>	<b>Tourner le réglage du TEMPÉRATURE au numéro plus bas suivant, attendre 24 heures, puis vérifier de nouveau.</b>
<b>Section du CONGÉLATEUR trop froide</b> <ul style="list-style-type: none"><li>■ Les réglages ne sont pas correctement faits pour vos conditions</li></ul>	<b>Tourner le réglage du TEMPÉRATURE au numéro plus bas suivant, attendre 24 heures, puis vérifier de nouveau.</b>

---

# Guide d'entreposage des aliments

## Conservation des aliments frais

Des aliments placés au réfrigérateur doivent être enveloppés ou gardés dans un emballage hermétique et à l'épreuve de l'humidité à moins d'indications contraires. Ceci empêche l'odeur et le goût des aliments de se répandre dans tout le réfrigérateur. Pour des produits datés, vérifier les dates indiquées pour s'assurer de la fraîcheur des aliments.

---

### Beurre ou margarine

Garder le beurre entamé dans un beurrier muni d'un couvercle ou dans un compartiment fermé. Lors de la conservation de quantités supplémentaires, utiliser un emballage pour congélateur et faire congeler.

---

### Fromage

Conserver dans son emballage original jusqu'à l'emploi. Une fois le paquet ouvert, réemballer hermétiquement le fromage dans une pellicule en plastique ou du papier d'aluminium.

---

### Lait

Essuyer les contenants. Pour qu'il se conserve mieux, placer le lait sur une tablette à l'intérieur.

---

### Œufs

Conserver les œufs sans les laver dans le carton original sur une tablette à l'intérieur.

---

### Fruits

Laver, laisser sécher et mettre au réfrigérateur dans un sac en plastique ou dans le bac à légumes. Ne pas laver ni équeuter les petits fruits avant le moment de leur utilisation. Les trier et les conserver dans l'emballage original dans le bac à légumes ou les conserver sur une tablette du réfrigérateur dans un sac fermé en papier sans être serré.

---

### Légumes à feuilles

Retirer l'emballage original et couper ou éliminer les sections endommagées et décolorées. Laver à l'eau froide et égoutter. Placer dans un sac ou un contenant en plastique et ranger dans le bac à légumes.

---

### Légumes à pelure (carottes, poivrons)

Placer dans des sacs en plastique ou contenants en plastique et ranger dans le bac à légumes.

---

### Poisson

Utiliser du poisson et des fruits de mer frais le jour même de leur achat.

---

## Viande

La plupart des viandes peuvent être conservées dans leur emballage original tant que cet emballage est hermétique et à l'épreuve de l'humidité. Emballer de nouveau si nécessaire. Voir le tableau suivant pour les périodes de conservation. Si la viande doit être conservée pour une période plus longue que la durée donnée, faire congeler la viande.

Poulet.....	1 à 2 jours
Boeuf haché.....	1 à 2 jours
Viandes de variété (foie, coeur, etc.).....	1 à 2 jours
Charcuterie .....	3 à 5 jours
Steaks/rôtis.....	3 à 5 jours
Viandes traitées .....	7 à 10 jours

---

## Les restes

Couvrir les restes avec de la pellicule en plastique ou du papier d'aluminium. Il est convenable aussi d'utiliser des contenants en plastique avec couvercle hermétique.

---

## Conservation des aliments congelés

**REMARQUE :** Pour plus de renseignements au sujet de la préparation des aliments pour la congélation ou pour les temps de conservation d'aliments, consulter un guide pour congélateur ou un livre de recettes fiable.

### Emballage

Le secret d'une congélation efficace réside dans l'emballage. Il doit être fermé et scellé de façon à empêcher la pénétration et l'évacuation de l'air ou de l'humidité. Toute autre méthode d'emballage risque d'entraîner la propagation des saveurs et d'odeurs dans tout le réfrigérateur et l'assèchement des aliments congelés.

### Recommandations pour l'emballage :

- Contenants rigides en plastique avec couvercle hermétique
- Bocaux de conserve/congélation à bord droit
- Papier d'aluminium résistant
- Papier recouvert de plastique
- Emballages en papier étanche (pellicule Saran)
- Sacs en plastique autohermétiques spécifiés pour congélateur

Suivre les instructions de l'emballage ou du contenant pour les méthodes de congélation appropriées.



## Ne pas utiliser :

- Emballages pour le pain
- Contenants en plastique autres qu'en polyéthylène
- Contenants sans couvercle hermétique
- Papier paraffiné ou emballage pour congélateur enduit de cire
- Emballage mince semi-perméable

## Congélation

Le congélateur ne congèlera pas rapidement une grande quantité d'aliments. Ne pas placer plus d'aliments non congelés dans le congélateur que la quantité qui congèlera dans l'intervalle de 24 heures (pas de plus de 907 à 1 350 g. par litre [2 à 3 lb] d'aliments par pied cube d'espace dans le congélateur). Laisser assez d'espace pour permettre la circulation d'air entre les emballages. S'assurer aussi de laisser assez d'espace à l'avant pour que la porte se ferme hermétiquement.

Les périodes de conservation varieront selon la qualité et le type des aliments, le type d'emballage et le type de pellicule utilisés (hermétiques et à l'épreuve de l'humidité) et la température d'entreposage. Les cristaux de glace à l'intérieur d'un emballage scellé sont normaux. Les cristaux signifient simplement que l'humidité dans les aliments et l'air à l'intérieur de l'emballage se sont condensés en créant des cristaux de glace.

**REMARQUE :** Laisser les aliments chauds refroidir à la température de la pièce pendant 30 minutes, ensuite préparer l'emballage et faire congeler. Le refroidissement des aliments chauds avant la congélation économise de l'énergie.

---

# CARACTÉRISTIQUES DU RÉFRIGÉRATEUR

---

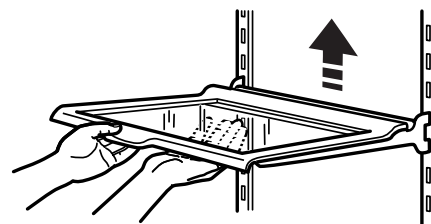
## Tablettes du réfrigérateur

Les tablettes dans votre réfrigérateur sont réglables pour correspondre à vos besoins individuels.

Le remisage d'aliments semblables ensemble dans le réfrigérateur et le réglage des tablettes pour convenir à différentes hauteurs d'articles, permettront de trouver plus facilement l'article exact que vous désirez et réduira le temps pendant lequel la porte du réfrigérateur est ouverte, ce qui économisera de l'énergie.

### Pour retirer une tablette:

1. Incliner le devant du cadre de tablette et le soulever à l'arrière.
2. Retirer le cadre de tablette en ligne droite.



### Pour réinstaller une tablette:

1. Guider les crochets à l'arrière de la tablette dans les crans sur les supports de tablette sur la paroi arrière du réfrigérateur.
2. Incliner le devant du cadre de tablette jusqu'à ce que les crochets arrière tombent dans les crans.
3. Abaisser le devant de la tablette en position.

---

## Bac à viande et couvercle (sur certains modèles)

### Pour retirer le bac à viande :

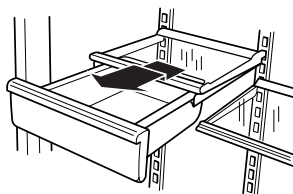
1. Faire glisser le bac à viande vers l'extérieur jusqu'à la butée.
2. Soulever le devant du bac à viande avec une main en supportant le bas du bac avec l'autre main. Glisser le bac complètement vers l'extérieur.
3. Remettre le tiroir en place en le faisant glisser complètement au-delà de la butée du tiroir.

### Pour réinstaller le bac à viande :

1. Guider le bac dans les supports du couvercle du bac à viande.
2. Pousser le tiroir jusqu'à ce qu'il s'arrête.

### Pour retirer le couvercle (Style 1) :

1. Retirer le bac à viande.
2. Incliner l'avant du couvercle.
3. Soulever l'arrière du couvercle.
4. Retirer le couvercle directement vers l'extérieur.

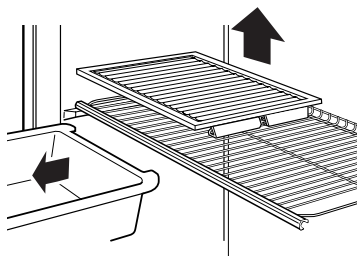


### Pour réinstaller le couvercle :

1. Guider les crochets à l'arrière du couvercle dans les crans sur les supports de la tablette sur la paroi arrière.
2. Incliner le couvercle vers le haut à l'avant jusqu'à ce que les crochets à l'arrière tombent dans les crans.
3. Abaisser le devant du couvercle à une position de niveau et replacer le bac à viande.

### Pour enlever le couvercle (Style 2) :

1. Retirer le bac à viande.
2. Pousser le couvercle à l'arrière pour dégager l'arrière du couvercle de l'étagère.
3. Incliner le couvercle vers le haut à l'avant.
4. Retirer le couvercle vers l'extérieur.



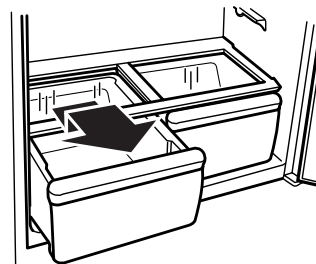
### Pour réinstaller le couvercle :

1. Faire correspondre les crans et le bord arrière du couvercle sur les barres arrière et centrale sur la tablette.
2. Abaisser le couvercle en place.
3. Réinstaller en place le bac à viande.

## Bac à légumes et couvercle (sur certains modèles)

### Pour retirer le bac à légumes :

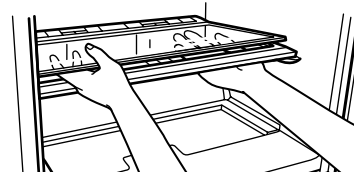
1. Faire glisser le bac à légumes en ligne droite vers l'extérieur jusqu'à la butée.
2. Soulever le devant.
3. Faire glisser le reste du bac vers l'extérieur.
4. Réinstaller le bac à légumes en le faisant glisser complètement vers l'arrière au-delà de la butée du bac.



### Pour retirer le couvercle :

1. Retirer le couvercle.
2. En tenant le verre fermement, saisir un côté du couvercle du bac et soulever l'autre côté par en-dessous.
3. Glisser la plaque de verre vers l'extérieur.
4. Soulever le cadre du couvercle et le retirer.

**REMARQUE :** Avant d'installer le couvercle, s'assurer que la barre de renforcement en U set réinstallée.



### Pour réinstaller le couvercle :

1. Placer l'arrière du cadre du couvercle dans les crans d'appui de la paroi latérale du réfrigérateur.
2. Abaisser le devant du cadre en place.
3. Faire glisser l'arrière du couvercle en verre dans le cadre du couvercle et abaisser le devant en place.

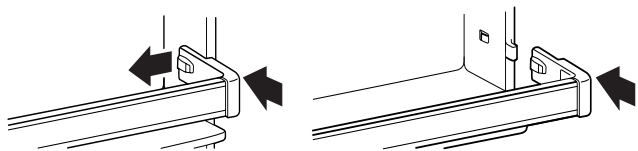
## Tringles dans la porte

Les tringles dans la porte peuvent être enlevées pour faciliter le nettoyage.

### Tringles enclenchables dans la porte

#### Pour retirer les tringles :

1. Enlever tous les articles rangés sur la tablette.
2. Appuyer légèrement sur le devant du joint en tirant sur la languette intérieure.
3. Répéter ces étapes pour l'autre extrémité de la tringle.



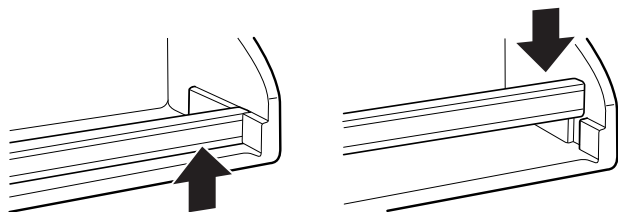
#### Pour réinstaller les tringles :

1. Positionner chaque extrémité de la tringle en ligne avec les attaches de chaque côté de la paroi de la porte.
2. Pousser la tringle directement au fond jusqu'à ce qu'elle s'enclenche en position.

### Tringles déposées dans la porte

#### Pour retirer les tringles :

1. Enlever tous les articles rangés sur la tablette.
2. Soulever verticalement chaque extrémité des tringles.



#### Pour réinstaller les tringles :

1. Glisser la tringle de la tablette dans les fentes sur la porte.
2. Pousser directement vers le bas sur les tringles jusqu'à l'arrêt.

## Utilisation de la machine à glaçons

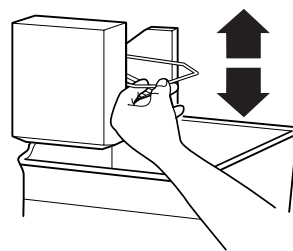
### (sur certains modèles)

Lorsque la section du congélateur atteint la température normale du congélateur, la machine à glaçons se remplit d'eau et commence à former des glaçons. Accorder 24 heures pour produire la première quantité de glaçons. La machine à glaçons devrait alors produire environ de 7 à 9 quantités de glaçons dans une période de 24 heures. Jeter les trois premières quantités de glaçons produites, pour éviter les impuretés qui peuvent être expulsées du système.

Après la fabrication, les glaçons tombent dans le bac d'entreposage. Lorsque le bac d'entreposage est rempli, le levier de la machine à glaçons s'élève à la position OFF (arrêt), (levier soulevé). Si les glaçons ne sont pas requis, on peut arrêter la machine à glaçons en levant le bras à la position OFF (arrêt) (levier soulevé). Écouter s'il y a un clic pour vous assurer que la machine à glaçons ne continuera pas de fonctionner.

Pour mettre en marche la machine à glaçons, abaisser le levier à la position ON (mise en marche). Ne pas forcer le levier vers le haut ou vers le bas. Ne pas garder quoi que ce soit au sommet de la machine à glaçons ou dans le bac d'entreposage des glaçons.

- Le levier ON/OFF (marche/arrêt) est un bras de commande en broche pour la machine à glaçons, situé au côté de la machine à glaçons. Abaisser le bras pour commencer automatiquement la fabrication de glaçons, et pousser le bras vers le haut pour arrêter la fabrication de glaçons.



- Il est normal que des glaçons se collent aux coins. Ils se sépareront facilement.
- La machine à glaçons ne fonctionnera pas avant que le congélateur ne soit assez froid pour fabriquer des glaçons. Ce délai peut durer toute une nuit.
- Si les glaçons ne sont pas fabriqués assez vite et si vous avez besoin d'une plus grande quantité de glaçons, tourner le réglage de la température vers un numéro plus élevé par étape de demi-numéro. (Par exemple, si le réglage est à 3, le déplacer entre 3 et 4.) Attendre 24 heures et si nécessaire, tourner graduellement le réglage de la température au réglage le plus élevé, et attendre 24 heures entre chaque augmentation.

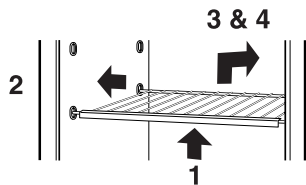
## À NOTER :

- La bonne qualité de vos glaçons dépendra de la bonne qualité de l’approvisionnement d’eau auquel est raccordée la machine à glaçons.
- Éviter de brancher la machine à glaçons à un approvisionnement d’eau adoucie. Les produits chimiques de l’eau adoucie (tels que le sel) peuvent endommager le moule de la machine à glaçons et fournir des glaçons de qualité médiocre. Si un approvisionnement d’eau adoucie ne peut pas être évité, s’assurer que l’adoucisseur d’eau fonctionne bien et est bien entretenu.

## Clayette du congélateur (sur certains modèles)

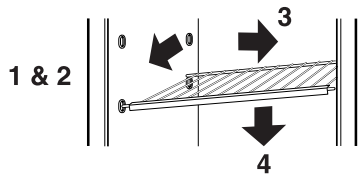
### Pour enlever la clayette :

1. Soulever légèrement toute la clayette.
2. Déplacer la clayette complètement vers un côté.
3. Incliner l’autre côté vers le haut et sortir des appuis de la clayette.
4. Soulever la clayette vers le haut et vers l’extérieur.



### Pour réinstaller la clayette :

1. Incliner la clayette et l’insérer dans le compartiment du congélateur.
2. Insérer une extrémité de la clayette complètement dans le centre des appuis de la clayette.
3. Abaisser l’autre extrémité de la clayette et l’insérer dans les appuis de la clayette.
4. Abaisser la clayette en place.



**REMARQUE :** La clayette devrait s’abaisser légèrement et se fixer en place. Si la clayette ne semble pas solide, s’assurer que les deux extrémités de la clayette sont insérées dans les appuis de la clayette.

# ENTRETIEN DE VOTRE RÉFRIGÉRATEUR

## Nettoyage du réfrigérateur

### ⚠ AVERTISSEMENT



#### Risque d'explosion

**Utiliser un produit de nettoyage ininflammable.  
Le non-respect de cette instruction peut causer  
un décès, une explosion ou un incendie.**

Les sections du réfrigérateur et du congélateur se dégivrent automatiquement. Toutes deux doivent cependant être nettoyées environ une fois par mois afin de prévenir l’accumulation d’odeurs. Essuyer immédiatement les produits renversés.

#### Conseil pour économie d’énergie :

Nettoyer régulièrement les serpentins du condenseur, tel que décrit dans le tableau de nettoyage dans cette section.

#### Nettoyage du réfrigérateur :

- Débrancher le réfrigérateur ou déconnecter la source du courant électrique.
- Élever toutes les pièces amovibles de l’intérieur telles que tablettes, bacs, etc.
- Utiliser une éponge propre ou un linge doux et un détergent doux avec de l’eau tiède. Ne pas utiliser de nettoyeurs abrasifs ou durs.
- Laver manuellement, rincer et sécher toutes les surfaces à fond.
- Brancher le réfrigérateur ou reconnecter la source de courant électrique.

■ **Autres conseils de nettoyage indiqués ci-dessous :**

PIÈCES	COMMENTAIRES
<b>Extérieur</b>	■ Le cirage de surfaces métalliques peintes à l'extérieur, aide à fournir une protection antirouille. Ne pas cirer les pièces en plastique. Cirer les surfaces métalliques peintes au moins deux fois par année avec une cire pour appareils électroménagers (ou cire en pâte de qualité pour automobile). Appliquer la cire avec un linge propre et doux.
<b>Parois intérieures</b> (le congélateur doit être assez tiède pour que le chiffon n'adhère pas)	■ Pour aider à éliminer les odeurs, on peut faire le lavage avec un mélange d'eau tiède et de bicarbonate de soude [26 g à 0,95 L] (2 c. à soupe à 1 pinte d'eau).
<b>Garnitures et joints des portes</b>	■ Ne pas utiliser de cires nettoyantes, de détergents concentrés, d'eau de Javel ni de nettoyants contenant du pétrole sur les pièces en plastique.
<b>Pièces en plastique</b> (couvercles et panneaux)	■ Ne pas utiliser d'essuie-tout en papier, de nettoyants à vitre en atomiseur, de nettoyants à récurer ou de liquides inflammables. Ces produits risquent d'égratigner ou d'endommager le matériau.

## Remplacement des ampoules d'éclairage

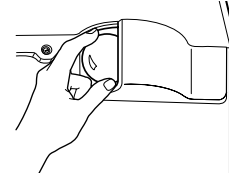
**REMARQUE :** Votre réfrigérateur ne pourra pas accommoder toutes les ampoules pour les appareils ménagers. S'assurer de remplacer l'ampoule par une ampoule de grosseur, de forme et de wattage semblables.

**Pour remplacer l'ampoule du réfrigérateur :**

1. Débrancher le réfrigérateur ou débrancher la source de courant électrique.
2. Saisir l'ampoule située derrière le tableau de commande et la dévisser.
3. Remplacer l'ampoule par une ampoule d'appareil électroménager de même wattage.
4. Brancher le réfrigérateur ou reconnecter la source de courant électrique.

**Pour remplacer l'ampoule du congélateur (sur certains modèles) :**

1. Débrancher le réfrigérateur ou déconnecter la source de courant électrique.
2. Saisir l'ampoule derrière le protecteur de l'ampoule pour la retirer.
3. Remplacer l'ampoule par une ampoule de 40 watts pour appareils électroménagers.
4. Brancher le réfrigérateur ou reconnecter la source de courant électrique.



## Pannes de courant

En cas de panne de courant, téléphoner à la compagnie d'électricité pour demander la durée de la panne.

1. Si le service doit être interrompu durant **24 heures ou moins, garder les deux portes fermées** pour aider les aliments à demeurer froids et congelés.
2. Si le service doit être interrompu **pendant plus de 24 heures :**
  - a) Retirer tous les aliments congelés et les entreposer dans un entrepôt frigorifique.

**OU**

- b) Placer 907 g (2 lbs) de neige carbonique dans le congélateur pour chaque pied cube (28 litres) d'espace de congélation. Cette quantité permettra de garder les aliments congelés durant deux à quatre jours. Porter des gants pour protéger les mains contre les morsures de la glace lorsque vous employez de la neige carbonique.

## OU

- c) S'il n'y a pas d'entrepôt frigorifique ni de neige carbonique, consommer ou mettre immédiatement en conserve les aliments périssables.

**REMARQUE :** Un congélateur plein restera froid plus longtemps qu'un congélateur partiellement rempli. Un congélateur plein de viandes demeure froid plus longtemps qu'un congélateur rempli de pains et de pâtisseries. Si les aliments contiennent des cristaux de glace, ils peuvent être remis à congeler sans danger même si la qualité et la saveur risquent d'être affectées. Si les aliments semblent de piètre qualité ou douteux, les jeter.

---

## Entretien avant les vacances ou lors d'un déménagement

### Vacances

Si vous choisissez de laisser le réfrigérateur en fonctionnement pendant votre absence, utiliser ces étapes pour préparer votre réfrigérateur avant d'aller en vacances.

1. Consommer tous les aliments périssables et congeler les autres articles au congélateur.
2. Si votre réfrigérateur a une machine à glaçons automatique :
  - Soulever le bras de la machine à glaçons à la position OFF (élevée).
  - Fermer l'approvisionnement d'eau à la machine à glaçons.
3. Vider le bac à glaçons.

Si vous choisissez d'arrêter le fonctionnement du réfrigérateur avant votre absence, observer ces étapes.

1. Enlever tous les aliments du réfrigérateur.
2. Si votre réfrigérateur a une machine à glaçons automatique :
  - Fermer l'approvisionnement d'eau à la machine à glaçons au moins une journée à l'avance.
  - Lorsque la dernière quantité de glaçons est déposée, soulever le bas de la machine à glaçons à la position OFF (élevée).
3. Tourner la commande du thermostat (ou la commande du réfrigérateur, selon le modèle) à OFF.
4. Nettoyer le réfrigérateur, l'essuyer et bien le sécher.
5. À l'aide d'un ruban adhésif, placer des blocs de caoutchouc ou de bois dans la partie supérieure de chaque porte de façon à ce qu'elles soient suffisamment ouvertes pour permettre la circulation de l'air à l'intérieur, afin d'éviter l'accumulation d'odeur ou de moisissure.

### Déménagement

Lorsque vous déménagez votre réfrigérateur à une nouvelle habitation, suivre ces étapes pour préparer le déménagement.

1. Si votre réfrigérateur a une machine à glaçons automatique :
  - Fermer l'approvisionnement d'eau de la machine à glaçons au moins une journée à l'avance.
  - Débrancher la canalisation d'eau de l'arrière du réfrigérateur.
  - Lorsque la dernière quantité de glaçons est tombée, soulever le bras de commande à la position OFF (élevée).
2. Retirer tous les aliments du réfrigérateur et placer tous les aliments congelés dans de la neige carbonique.
3. Tourner le thermostat (ou réglage du réfrigérateur, selon le modèle) à OFF (arrêt).
4. Débrancher le réfrigérateur de la prise.
5. Vider l'eau du plat de dégivrage.
6. Nettoyer, essuyer et sécher à fond.
7. Retirer toutes les pièces amovibles, bien les envelopper et les attacher ensemble à l'aide de ruban adhésif pour qu'elles ne bougent pas ni ne s'entrechoquent durant le déménagement.
8. Soulever le devant du réfrigérateur pour qu'il roule plus facilement. Voir la section "Fermeture et alignement des portes".
9. Fermer la porte à l'aide de ruban adhésif et fixer le cordon d'alimentation à la caisse du réfrigérateur.

Lorsque vous arriverez à votre nouvelle habitation, remettre tout en place et consulter la section "Installation du réfrigérateur" pour les instructions de préparation. Aussi, si votre réfrigérateur a une machine à glaçons automatique, rappelez-vous de rebrancher l'approvisionnement d'eau au réfrigérateur.

---

# DÉPANNAGE

Essayer les solutions suggérées ici en premier afin d'éviter les coûts d'une visite de service inutile.

---

## Le réfrigérateur ne fonctionne pas

- **Le cordon d'alimentation électrique est-il débranché?**  
Brancher fermement le cordon d'alimentation électrique sur une prise de courant active avec tension appropriée.
- **Un fusible est-il grillé ou le disjoncteur s'est-il déclenché?**  
Remplacer le fusible ou réenclencher le disjoncteur.
- **Le réglage du réfrigérateur est-il à la position "OFF" (arrêt)?**  
Voir la section "Réglage des commandes".
- **Le réfrigérateur est-il en train de se dégivrer?**  
Vérifier pour voir si le réfrigérateur fonctionne au bout de 30 minutes. Le réfrigérateur exécutera régulièrement un programme automatique de dégivrage.

---

## Les ampoules n'éclairent pas

- **Le cordon d'alimentation électrique est-il débranché?**  
Brancher fermement le cordon d'alimentation électrique sur une prise de courant active avec tension appropriée.
- **Une ampoule d'éclairage est-elle desserrée dans la douille?**  
Tourner le réglage du réfrigérateur à OFF (arrêt). Débrancher le réfrigérateur de la source d'alimentation électrique. Enlever délicatement l'ampoule et la réinsérer. Ensuite rebrancher le réfrigérateur à la source d'alimentation électrique et faire de nouveau le réglage du réfrigérateur.
- **Une ampoule est-elle grillée?**  
Remplacer par une ampoule d'appareil électroménager de tension, de grosseur et de format similaires. Voir la section "Remplacement des ampoules d'éclairage".

---

## Le plat de dégivrage contient de l'eau

- **Le réfrigérateur est-il en train de se dégivrer?**  
L'eau s'évaporerait. C'est normal pour l'eau de dégoutter dans le plat de dégivrage.
- **Y a-t-il plus d'humidité que d'habitude?**  
Prévoir que l'eau dans le plat de dégivrage prend plus de temps à s'évaporer. Ceci est normal quand il fait chaud ou humide.

---

## Le moteur semble fonctionner excessivement

- **La température ambiante est-elle plus chaude que d'habitude?**  
Prévoir que le moteur fonctionnera plus longtemps dans des conditions de chaleur. Pour des températures ambiantes normales, prévoir que le moteur fonctionne environ 40 % à 80 % du temps. Dans des conditions plus chaudes, prévoir un fonctionnement encore plus fréquent.
  - **Vient-on d'ajouter une grande quantité d'aliments au réfrigérateur?**  
L'addition d'une grande quantité d'aliments réchauffe le réfrigérateur. Il est normal que le moteur fonctionne plus longtemps afin de refroidir de nouveau le réfrigérateur. Voir la section "Guide d'entreposage des aliments".
  - **Les portes sont-elles ouvertes fréquemment?**  
Prévoir que le moteur fonctionnera plus longtemps dans ce cas. Afin de conserver l'énergie, essayer de sortir tout ce dont vous avez besoin du réfrigérateur à la fois, garder les aliments organisés de sorte qu'ils sont faciles à trouver et fermer la porte dès que les aliments sont retirés.
  - **Les réglages ne sont-ils pas faits correctement pour les conditions ambiantes?**  
Voir la section "Réglage des commandes".
  - **Les portes ne sont-elles pas complètement fermées?**  
Pousser les portes pour qu'elles soient bien fermées. Si les portes ne ferment pas complètement, voir "Les portes ne se ferment pas complètement" plus loin dans cette section.
  - **Les serpentins du condenseur sont-ils sales?**  
Cette situation empêche le transfert de l'air et fait travailler davantage le moteur. Nettoyer les serpentins du condenseur. Voir la section "Nettoyage du réfrigérateur".
- REMARQUE :** Votre réfrigérateur neuf fonctionnera plus longtemps que l'ancien appareil du fait de son moteur très efficace.

---

## Le réfrigérateur semble faire trop de bruit

- **Les sons peuvent être normaux pour votre réfrigérateur.**  
Voir la section "Les bruits de l'appareil que vous pouvez entendre".

---

## La machine à glaçons ne produit pas de glaçons

---

- **La température du congélateur n'est-elle pas assez froide pour produire des glaçons?**  
Attendre 24 heures après le branchement pour la production de glaçons. Voir la section "Réglage des commandes".
- **Le levier de la machine à glaçons est-il en position "OFF" (élevée)?**  
Abaisser le bras à la position "ON" (abaissée). Voir la section "Utilisation de la machine à glaçons".
- **La valve de la canalisation d'eau reliée au réfrigérateur n'est-elle pas ouverte?**  
Ouvrir la valve d'eau. Voir la section "Raccordement du réfrigérateur à une canalisation d'eau".
- **Un glaçon est-il coincé dans le bras éjecteur?**  
Enlever le glaçon du bras éjecteur avec un ustensile en plastique. Voir "Utilisation de la machine à glaçons".
- **Y a-t-il de l'eau dans le moule de la machine à glaçons?**  
Vérifier pour voir si le réfrigérateur a été branché à la canalisation d'eau de votre domicile, et si la valve d'arrêt de la canalisation est ouverte. Voir la section "Raccordement du réfrigérateur à une canalisation d'eau".

**REMARQUE :** Si cette situation n'est pas attribuable à ce qui précède, il peut exister un problème avec la canalisation d'eau. Faire un appel de service.

---

## La machine à glaçons produit trop peu de glaçons

---

- **La machine à glaçons vient-elle juste d'être installée?**  
Attendre 72 heures pour le commencement de la production complète de glaçons. Une fois que le réfrigérateur est refroidi, la machine à glaçons devrait commencer à produire de 70 à 120 glaçons à toutes les 24 heures.
- **Une grande quantité de glaçons vient-elle d'être enlevée?**  
Attendre 24 heures pour que la machine à glaçons produise plus de glaçons.
- **Les réglages ne sont-ils pas faits correctement?**  
Voir la section "Réglage des commandes".
- **Le robinet d'eau n'est-il pas complètement ouvert?**  
Tourner complètement le robinet à la position ouverte. Voir la section "Raccordement du réfrigérateur à une canalisation d'eau".
- **Un filtre à eau est-il installé sur le réfrigérateur? Ce filtre peut être obstrué ou installé incorrectement.**  
Premièrement, vérifier les instructions d'installation du filtre pour s'assurer que le filtre a été installé correctement et qu'il n'est pas obstrué. Si l'installation ou l'obstruction n'est pas le problème, téléphoner à une personne qualifiée ou à un technicien.

---

## Mauvais goût ou odeur des glaçons

---

- **Les raccords de plomberie sont-ils neufs et causent-ils une décoloration et un mauvais goût des glaçons?**  
Jeter les premières quantités de glaçons.
- **Les glaçons ont-ils été gardés trop longtemps?**  
Jeter les vieux glaçons et en faire une nouvelle provision.
- **Les aliments dans le congélateur ou le réfrigérateur ont-ils été bien emballés?**  
Voir "Conservation des aliments congelés" dans la section "Guide d'entreposage des aliments".
- **Le congélateur et le bac à glaçons ont-ils besoin d'être nettoyés?**  
Voir la section "Nettoyage du réfrigérateur".
- **L'eau contient-elle des minéraux (tels que le soufre)?**  
L'installation d'un filtre peut être requise afin d'enlever les minéraux.

---

## La cloison entre les deux sections est tiède

---

La température tiède est probablement attribuable à un fonctionnement normal du réglage automatique de l'humidité de l'extérieur.

---

## La température est trop tiède

---

- **Les ouvertures d'aération sont-elles bloquées dans une section ou l'autre? Cette obstruction empêche le mouvement de l'air froid du congélateur au réfrigérateur.**  
Enlever tous les objets placés en avant des ouvertures d'aération. Consulter "Pour s'assurer d'une circulation d'air appropriée" pour l'emplacement des ouvertures d'aération.
- **La ou les portes sont-elles ouvertes?**  
Prévoir que le réfrigérateur deviendra tiède dans ce cas. Pour garder le réfrigérateur froid, essayer de retirer rapidement à la fois tout ce dont vous avez besoin du réfrigérateur, garder les aliments bien rangés de sorte qu'il soit facile de les trouver et fermer la porte dès que les aliments sont retirés.
- **Vient-on d'ajouter une grande quantité d'aliments au réfrigérateur ou au congélateur?**  
L'addition d'une grande quantité d'aliments réchauffe le réfrigérateur. Plusieurs heures peuvent être nécessaires pour que le réfrigérateur revienne à la température normale.
- **Les réglages sont-ils faits correctement pour les conditions ambiantes?**  
Voir la section "Réglage des commandes".



---

## Il existe une accumulation d'humidité à l'intérieur.

---

- **Les ouvertures de circulation d'air sont-elles obstruées dans le réfrigérateur?**  
Enlever tous les objets en avant des ouvertures d'aération. Consulter "Pour s'assurer d'une circulation d'air appropriée" pour l'emplacement des ouvertures d'aération.
- **La porte est-elle souvent ouverte?**  
Pour éviter l'accumulation d'humidité, essayer de retirer rapidement tout ce dont vous avez besoin du réfrigérateur, garder les aliments rangés de sorte qu'il soit facile de les trouver et fermer la porte dès que les aliments sont retirés. (Lorsque la porte est ouverte, l'humidité de l'air extérieur pénètre dans le réfrigérateur. Le plus souvent la porte est ouverte, le plus rapidement l'humidité s'accumule, surtout lorsque la pièce est très humide).
- **La pièce est-elle humide?**  
Il est normal pour l'humidité de s'accumuler à l'extérieur du réfrigérateur lorsque l'air de l'extérieur est humide.
- **Les aliments sont-ils bien emballés?**  
Vérifier que tous les aliments sont bien emballés. Si nécessaire, emballer de nouveau les aliments d'après les directives à la section "Guide d'entreposage des aliments". Essuyer les contenants humides d'aliments avant de les placer au réfrigérateur.
- **Les réglages sont-ils faits correctement pour les conditions ambiantes?**  
Voir la section "Réglage des commandes".
- **Un programme autodégivreur vient-il de se terminer?**  
Il est normal que des gouttelettes se forment sur la paroi arrière après que le réfrigérateur se dégivre automatiquement.

---

## Les portes sont difficiles à ouvrir

---

- **Les joints sont-ils sales ou collants?**  
Nettoyer les joints et la surface. Frotter en appliquant une couche très mince de cire de paraffine sur les joints à la suite d'un nettoyage.

---

## Les portes ne se ferment pas complètement

---

- **Les emballages d'aliments empêchent-ils la porte de fermer?**  
Réorganiser les contenants de sorte qu'ils soient plus rapprochés et prennent moins d'espace.
- **Le bac à glaçons n'est-il pas en bonne condition?**  
Pousser le bac à glaçons jusqu'au fond.
- **Les couvercles du bac à légumes, plats, tablettes, bacs ou paniers ne sont-ils pas en bonne position?**  
Placer le couvercle du bac à légumes et tous les plats, tablettes, bacs et paniers à la position correcte. Voir plus de renseignements à la section "Caractéristiques du réfrigérateur".
- **Les joints collent-ils?**  
Nettoyer les joints et la surface. Frotter en appliquant une couche très mince de cire de paraffine sur les joints à la suite d'un nettoyage.
- **Le réfrigérateur branle-t-il ou semble-t-il instable?**  
Niveler le réfrigérateur. Consulter la section "Fermeture et alignement des portes".
- **Les portes ont-elles été enlevées durant l'installation de l'appareil et mal réinstallées?**  
Enlever et replacer les portes en suivant la section "Inversion du sens d'ouverture des portes" ou téléphoner à un technicien qualifié.

---

# ASSISTANCE OU SERVICE

Avant de demander une assistance ou un service, veuillez vérifier la section "Dépannage". Cette vérification peut vous faire économiser le coût d'une visite de réparation. Si vous avez encore besoin d'aide, suivre les instructions ci-dessous.

Lors d'un appel, veuillez connaître la date d'achat et les numéros au complet de modèle et de série de votre appareil (voir section "Garantie"). Ces renseignements nous aideront à mieux répondre à votre demande.

## Si vous avez besoin de pièces de rechange...

Si vous avez besoin de commander des pièces de rechange, nous vous recommandons d'utiliser seulement des pièces FSP® autorisées de l'usine. Les pièces de rechange FSP® conviendront bien et fonctionneront bien parce qu'elles sont fabriquées selon les mêmes spécifications précises utilisées pour construire chaque nouvel appareil Roper.

Pour localiser des pièces de rechange FSP® dans votre région, téléphoner à notre centre d'assistance aux consommateurs ou au centre de service autorisé le plus proche.

---

## AUX ÉTATS-UNIS :

Téléphoner au centre d'assistance aux consommateurs Roper à 1-616-923-7113.

Nos consultants fournissent l'assistance pour :

- Caractéristiques et spécifications à notre gamme complète d'appareils électroménagers
- Renseignements d'installation
- Procédés d'utilisation et d'entretien
- Banque d'accessoires et de pièces de rechange
- Assistance spécialisée au client (langue espagnole, malentendants, malvoyants, etc.)
- Les références aux concessionnaires, compagnies de service de réparation et distributeurs de pièces de rechange locaux. Les techniciens de service désignés par Whirlpool sont formés pour remplir la garantie des produits et fournir un service après la garantie partout aux États-Unis.

Pour localiser la compagnie de service Roper autorisée dans votre région, vous pouvez consulter les pages jaunes de votre annuaire téléphonique.

## Pour plus d'assistance ...

Si vous avez besoin de plus d'assistance, vous pouvez écrire à Whirlpool en soumettant toute question ou problème à :

Whirlpool Brand Home Appliances

Consumer Assistance Center

c/o Correspondence Dept.

2000 North M-63

Benton Harbor, MI 49022-2692

Dans votre correspondance, veuillez indiquer un numéro de téléphone où on peut vous rejoindre dans la journée.

---

## Au Canada

Téléphoner sans frais au Centre d'assistance aux consommateurs de Inglis Limited au :  
**1-800-461-5681** de 8 h 30 à 18 h (HNE)

Nos consultants fournissent l'assistance pour :

- Caractéristiques et spécifications à notre gamme complète d'appareils électroménagers.
- Les références aux concessionnaires locaux.

## Pour service au Canada

Téléphoner **1-800-807-6777**. Les techniciens de service désignés par Inglis Limited sont formés pour remplir la garantie des produits et fournir un service après la garantie partout au Canada.

## Pour plus d'assistance

Si vous avez besoin de plus d'assistance, vous pouvez écrire à Roper en soumettant toute question ou problème à :

Consumer Relations Department

Inglis Limited

1901 Minnesota Court

Mississauga, Ontario L5N 3A7

Dans votre correspondance, veuillez indiquer un numéro de téléphone où on peut vous joindre dans la journée.

---

# ROPER® REFRIGERATOR WARRANTY (U.S.A)

---

## ONE-YEAR FULL WARRANTY ON REFRIGERATOR

For one year from the date of purchase, when this refrigerator is operated and maintained according to instructions attached to or furnished with the product, Whirlpool will pay for FSP® replacement parts and repair labor to correct defects in materials or workmanship. Service must be provided by a Whirlpool designated service company.

---

## FIVE-YEAR FULL WARRANTY ON SEALED REFRIGERATION SYSTEM

For five years from the date of purchase, when this refrigerator is operated and maintained according to instructions attached to or furnished with the product, Whirlpool will pay for FSP® replacement parts and repair labor to correct defects in materials or workmanship in the sealed refrigeration system. These parts are: Compressor, evaporator, condenser, drier, connecting tubing. Service must be provided by a Whirlpool designated service company.

---

### Whirlpool Corporation will not pay for:

1. Service calls to correct the installation of your refrigerator, to instruct you how to use your refrigerator, to replace house fuses or correct house wiring or plumbing, to replace light bulbs.
  2. Repairs when your refrigerator is used in other than normal, single-family household use.
  3. Pickup and delivery, your refrigerator is designed to be repaired in the home.
  4. Damage to your refrigerator caused by accident, misuse, fire, flood, acts of God, or use of products not approved by Whirlpool.
  5. Any food loss due to product failure.
  6. Repairs to parts or systems resulting from unauthorized modifications made to the appliance.
- 

### WHIRLPOOL CORPORATION SHALL NOT BE LIABLE FOR INCIDENTAL OR CONSEQUENTIAL DAMAGES.

Some states or provinces do not allow the exclusion or limitation of incidental or consequential damages, so this exclusion or limitation may not apply to you. This warranty gives you specific legal rights, and you may also have other rights which vary from state to state or province to province.

Outside the United States and Canada, a different warranty may apply. For details, please contact your authorized Roper dealer.

If you need service, first see the "Troubleshooting" section of this book. After checking "Troubleshooting," additional help can be found by checking the "Requesting Assistance or Service" section or by calling the Roper Consumer Assistance Center, 1-616-923-7113 from anywhere in the U.S.A. Outside the U.S. contact your authorized Roper dealer.

2/99

---

### For warranty information in Canada:

Please contact your authorized Roper dealer or call the Consumer Assistance Centre at 1-800-461-5681 between 8:30 p.m. and 6 p.m. EST from anywhere in Canada.

### Pour renseignements au sujet de la garantie au Canada:

Veuillez contacter votre marchand autorisé Whirlpool ou téléphoner au Centre d'assistance aux consommateurs en composant 1-800-461-5681 (sans frais) entre 8 h 30 et 18 h HNE de n'importe où au Canada.

---

**Keep this book and your sales slip together for future reference. You must provide proof of purchase or installation date for in-warranty service.**

Write down the following information about your refrigerator to better help you obtain assistance or service if you ever need it. You will need to know your complete model number and serial number. You can find this information on the model and serial number label, located on your appliance as shown in the Parts and Features section of this book.

Dealer name \_\_\_\_\_

Address \_\_\_\_\_

Phone number \_\_\_\_\_

Model number \_\_\_\_\_

Serial number \_\_\_\_\_

Purchase date \_\_\_\_\_

---