



Site-Log Data Logger



User's Manual

Microedge Instruments Inc.
407 - 15216 North Bluff Road
White Rock, BC, Canada, V4B 0A7
Toll Free: 1.877.352.9158
www.microedgeinstruments.com
info@microedgeinstruments.com

About this Manual

This manual contains operational information for Site-Log Data Loggers. Please read this manual before using the data loggers.

Limits of Liability and Disclaimer of Warranty:

The manual contained in this document is furnished for informational use only and is subject to change without notice.

Microedge Instruments Inc. shall not be liable for errors contained herein or for incidental or consequential damages in connection with the furnishing, performance, or use of this material.

Copyright and Trademarks

This manual contains proprietary information which is protected by copyright. All rights are reserved. No part of this document may be photocopied, reproduced, or translated to another language without prior written consent of Microedge Instruments Inc.

Microedge Instruments Inc., Site-Log, SiteView are the trademarks of Microedge Instruments Inc.

All other trademarks and registered trademarks are the property of their respective owners.

Microedge Instruments Inc.
407 - 15216 North Bluff Road
White Rock, BC, Canada, V4B 0A7
Toll Free: 1.877.352.9158
Web-Site: www.microedgeinstruments.com
Email: info@microedgeinstruments.com

Rev 1.6: May 2011

Conditions of Sale and Product Warranty

Microedge Instruments Inc. (MEI) and the Buyer agree to the following terms and conditions of Sale and Purchase:

1. Limited Warranty.

MEI warrants its product(s) to be free from defects in materials and workmanship for a period of one year from the date of registered purchase. Any unit which is found to be defective will, at the discretion of MEI, be repaired or replaced.

MEI will not be responsible for the repair or replacement of any unit damaged by user modification, negligence, abuse, improper installation, or mishandling.

MEI reserves the right to alter any feature or specification at any time.

2. Limitation of Liability.

The product must NOT be used in applications where failure of the product could lead to physical harm or loss of human life. Buyer is responsible to conduct their own tests to meet the safety regulation of their respective industry.

IN NO EVENT WILL MEI BE LIABLE TO ANY PARTY FOR ANY DIRECT, INDIRECT, INCIDENTAL, SPECIAL, CONSEQUENTIAL OR PUNITIVE DAMAGES FOR USE OF THE PRODUCT, INCLUDING, WITHOUT LIMITATION, LOST PROFITS OR REVENUES, COSTS OF REPLACEMENT, BUSINESS INTERRUPTIONS, LOSS OF DATA OR DAMAGES RESULTING FROM USE OF OR RELIANCE ON THE PRODUCT, EVEN IF MEI IS EXPRESSLY ADVISED ABOUT THE POSSIBILITY OF SUCH DAMAGES.

3. Extended Warranty.

Extended 2-year warranty service is available to purchase on new products at time of order entry and up to ninety days thereafter. The extended warranty protects you from unbudgeted service expenses and provide additional 2 years of protection at a fraction of the price of a repair.

4. Return Policy.

Defective Product Return:

A Buyer may return a defective product to MEI for repair or replacement, at MEI option, in the event MEI determines that the product is defective. The defective product must be returned to MEI within the warranty period. The Buyer shall be responsible for all shipping costs. Repaired or replaced products are warranted for the balance of the original warranty period, or at least 90 days.

Non-defective Product Return:

Products that are not defective may be returned to MEI within 30 days from the date of shipment. All non-defective product returns are subject to a 20% restocking fee. If the product is unsatisfactory for the application for which it was purchased, MEI shall, at its option, either refund the purchase price paid by the Buyer or replace the product with one that is satisfactory for the application. The Buyer shall be responsible for all shipping costs and restocking fee determined by MEI.

Method of Return:

Prior to returning the product, completely fill out the RMA Application Form, send it to MEI or contact MEI directly for a Return Material Authorization number. All products returned to MEI must be securely packaged in the original shipping materials and reach MEI without damage and shipped in accordance with Applicable laws, rules, and regulations. The products must contain all software and accessories that were shipped to the Buyer in connection with the product.

5. MEI reserves the right to alter any feature or specification at any time.

Notes to Buyer:

If you disagree with any of the above terms or conditions you should promptly return the unit to the manufacturer or distributor within 30 days from date of purchase.

TABLE OF CONTENTS

ABOUT THIS MANUAL	1
LIMITS OF LIABILITY AND DISCLAIMER OF WARRANTY:	1
COPYRIGHT AND TRADEMARKS	1
1. INTRODUCTION	6
1.1 FEATURES OF THE LOGGER.....	6
1.2 APPROVALS.....	6
1.3 CARE OF THE LOGGER	7
1.4 IDENTITY OF THE LOGGER	7
1.5 BATTERY.....	7
1.6 RECALIBRATION.....	8
1.7 SAFETY WARNING	8
<i>Maximum Input Voltage Range</i>	8
<i>Maximum Input Current Range</i>	8
<i>External Power Supply</i>	8
<i>Grounding</i>	8
2. HARDWARE & MECHANICAL DIMENSION	9
<i>Logger Diagram:</i>	9
<i>AUX Port Pin-out (Face-In)</i>	12
<i>USB Port Pin-out (Face-In)</i>	12
3. CHANNELS AND SENSOR CONNECTIONS	12
LPV-1 /LPVB-1 – VOLTAGE INPUTS, PROGRAMMABLE RANGE.....	12
<i>Channel and Sensor Specifications:</i>	13
LPC-1/LPCB-1 – CURRENT INPUTS, RANGE PROGRAMMABLE	14
<i>Channel and Sensor Specifications:</i>	14
LPM-1/LPMB-1 – VOLTAGE & CURRENT INPUTS, RANGE PROGRAMMABLE	15
<i>Channel and Sensor Specifications:</i>	15
LPTM-1 – THERMOCOUPLE INPUTS, RANGE PROGRAMMABLE	16
<i>Channel and Sensor Specifications:</i>	17
LPTH-1 – THERMISTOR / RESISTOR INPUTS, RANGE PROGRAMMABLE	17
<i>Channel and Sensor Specifications:</i>	18
LFV/LFVB SERIES – VOLTAGE INPUTS.....	18
<i>Channel and Sensor Specifications:</i>	19
LFC/LFCB SERIES – CURRENT INPUTS	20
<i>Channel and Sensor Specifications:</i>	20
LFM-1/LFMB-1 – VOLTAGE & CURRENT INPUTS	21
<i>Channel and Sensor Specifications:</i>	22
LRHT-1/LRHT-2 – RELATIVE HUMIDITY & TEMPERATURE INPUTS	23
<i>Channel and Sensor Specifications:</i>	23
4 BASIC FUNCTIONS	23

BUILT-IN EQUATIONS	23
MEASURING & LOGGING	25
<i>Start Time:</i>	25
<i>End Time:</i>	25
<i>Sampling Interval:</i>	25
<i>Logging Mode:</i>	26
DOWNLOADING DATA	26
FIELD ACTIVATION	26
STATUS LED.....	27
ALARM1 & A2/EXT TERMINALS.....	27
2.6 ALARM OUTPUT.....	28
EXCITATION OUTPUT	30
5. SOFTWARE.....	32
SYSTEM REQUIREMENTS.....	32
COMMUNICATIONS INTERFACES	32
INSTALL SITEVIEW	34
INSTALL USB DRIVER	39
ACTIVATE SITEVIEW	43
MAIN WINDOW FRAME.....	45
<i>Communication Panel</i>	45
<i>Menu Bar</i>	45
<i>Tool Bar</i>	45
<i>Main Working Panel</i>	46
<i>Information Log Panel</i>	46
VIEW LOGGER STATUS	46
<i>General</i>	48
<i>Alarm & Excitation</i>	48
CONFIGURE LOGGER.....	49
<i>Description:</i>	51
<i>Sampling Interval:</i>	51
<i>On-Board LED</i>	51
<i>When Memory Full</i>	51
<i>Time to Start & Time to End</i>	51
<i>Total Time Span</i>	51
<i>Enabled</i>	52
<i>Channel Range</i>	52
<i>Description</i>	52
<i>Equation</i>	52
<i>Cali. Low & Cali. High</i>	52
<i>Custom Channels:</i>	53
<i>Alarm/Excitation Selection</i>	54
<i>Notify Alarm via Modem</i>	54
<i>Alarm-On Delay</i>	54
<i>Dial-out Number</i>	54
<i>Excitation Warm-up Delay</i>	54

<i>Channel Alarm Settings</i>	55
DOWNLOAD LOGGER	55
<i>Filename & Browse</i>	56
<i>Start Time & End Time</i>	56
REAL-TIME DISPLAY	57
<i>List View Visible</i>	59
<i>Chart View Visible</i>	59
<i>Vertical View</i>	59
<i>Horizontal View</i>	59
<i>Time Span</i>	59
<i>Dataset</i>	60
<i>Settings</i>	60
CALIBRATE A CHANNEL	61
<i>Understand Cali. Low & Cali. High</i>	61
<i>Decide On-Line or Off-Line Calibration</i>	62
ALARM CENTER	67
6. SPECIFICATIONS	70
COMMON SPECIFICATIONS	70
LOGGING CAPACITY	71

1. Introduction

1.1 Features of the logger

Congratulations on purchasing the Site-Log series data loggers! These portable battery powered data loggers allow recording information and saving measurements to a 4MB flash memory for later retrieval.

The internal lithium battery provides up to 5 years (for LRHT-1/2) / 10 years (for all other models) of instantaneous logging operation when sampling at interval of one minute.

Site-Log data logger can be manipulated by SiteView Windows software for data downloading, logging management, and property configuration. It has both TTL-compatible serial port and USB interface for different communications requirements.

Site-Log data logger features a wide sampling interval range from 20 milliseconds to 12 hours (LRHT-1/2 from 1 second to 12 hours), providing alternative to data acquisition devices and paper chart recorders.

Site-Log data logger provides alarm outputs controlled by the low and high programmable alarm thresholds of each enabled channel. The alarm control outputs can be used to turn on/off external alarm devices such as strobe lights, sirens or alarm telephone diallers.

Site-Log data logger (except LRHT-1/2) also has an excitation control output used to switch the power supply of the external transducer/transmitter.

Site-Log data logger (except LRHT-1/2) contains one internal thermistor channel, and seven external process signal channels. The 16-bit analog-to-digital converter makes the measurements more precise and accurate.

Site-Log data logger also has a rugged, splash resistant aluminum enclosure and internal electronics are protected against moisture ingress by conformal coating.

1.2 Approvals



All Site-Log Series data loggers are in conformity with the EN standard(s) listed below:

- ☑ **EN 61000-6-2:[2005]**

General standards – Immunity for industrial environments

- ☑ EN 61000-6-3:[2007]
General standards – Emission standard for residential, commercial and light-industrial environments

following the provisions of the following directive(s)

- ☑ 2004/108/EC Electromagnetic compatibility (EMC)



All Site-Log Series data loggers comply with Part15 of the FCC Rules. Operation is subject to the following two conditions:

1. These devices may not cause harmful interference, and
2. These devices must accept any interference received, including interference that may cause undesired operation.

1.3 Care of the logger

Although the Site-Log data loggers are weather resistant, the loggers are designed to work in humid atmospheres of up to 95% RH non-condensing. They should be protected against immersion. The environment temperature should be within – 40 to +70°C (-40 to + 158°F).

1.4 Identity of the logger

Each logger has its own unique serial number, which can be found on the back of the enclosure. The serial number is used to identify the logger and enable us to keep a record of its history like calibrations and warranty. Please reference it in any correspondence with MEI.

1.5 Battery

The battery lasts in excess of 10 years (5 years for LRHT-1/2) when sampling at 1-minute intervals. When the battery is nearing the end of its service life, the on-board status LED will glow in amber each time the logger is sampling the data. The battery indicator on the status window in SiteView software will also display warning of low battery level. The battery operates approximately one or two weeks from the time the logger first indicates a low battery, but we recommend that the battery be changed as soon as the warning is displayed. The battery is factory replaceable only.

1.6 Recalibration

Any Site-Log data logger is supplied with all channels pre-calibrated and should not require any further recalibration for a period of 12 months.

We recommend the logger be recalibrated every year. You may recalibrate the logger longer than a year depending on your application standard.

You may return the logger to the supplier for recalibration service or recalibrate it on your own via SiteView software.

SiteView software provides two-point calibration for the most of the loggers.

1.7 Safety Warning

Maximum Input Voltage Range

For logger model: LPV-1/LPVB-1, LPM-1/LPMB-1, LPTH-1, LPTM-1, LFV-X, LFVB-X, LFM-1, LFMB-1:

The logger is designed to measure single common ground DC voltages in the range up to 20 VDC. Any voltages over this range may cause permanent damage to the device.

Maximum Input Current Range

For logger model: LPC-1/LPCB-1, LPM-1/LPMB-1, LFC-X, LFCB-X, LFM-1/LFMB-1:

The logger is designed to measure single common ground DC current in the range up to 50 mA. Any current over this range may cause permanent damage to the device.

External Power Supply

When using external power supply (via USB, Serial Port, Device Server, or thirty party +5 VDC power supply) to power the logger please make sure that the external power supply has the same common ground with the external input process signals.

When using other third party external power supplies, please make sure the voltage of the external power supply is +5 VDC (+/- 5% ripple).

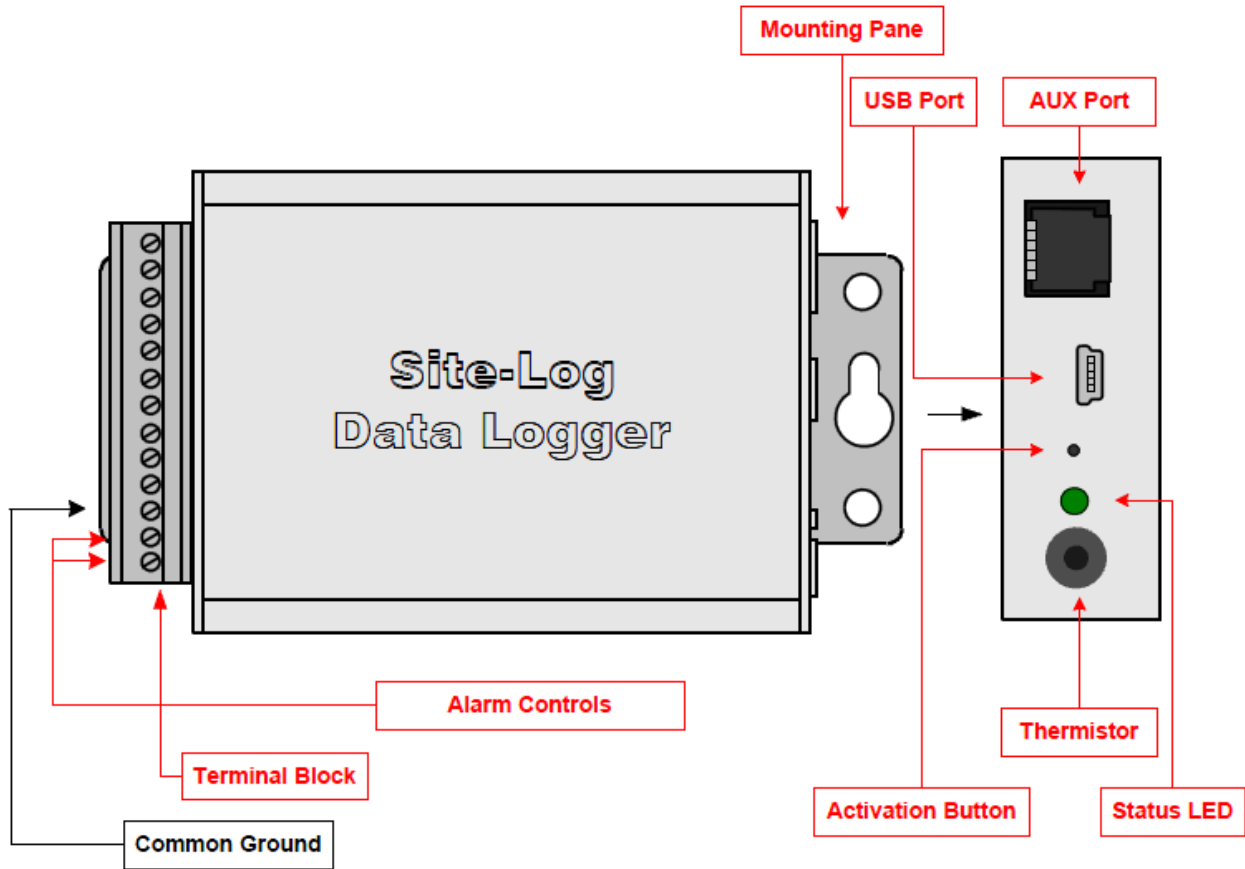
Grounding

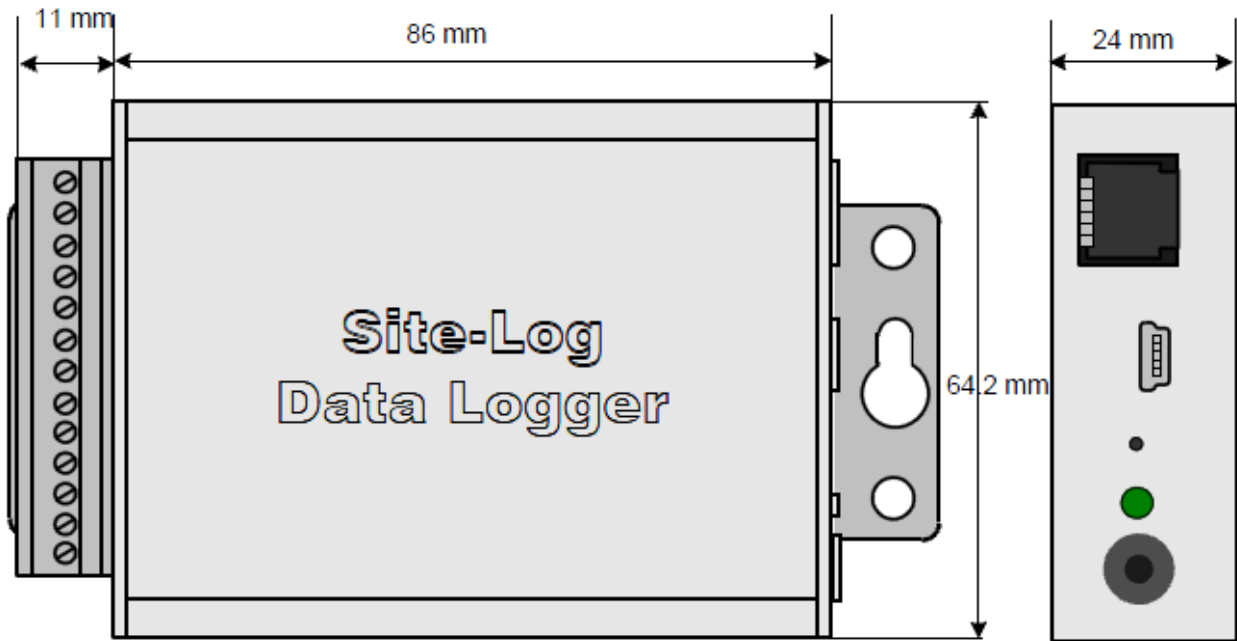
The common ground of the Site-Log data logger is connected directly to the ground of the input process signals and the ground of the external power supply (if applicable).

2. Hardware & Mechanical Dimension

Logger Diagram:

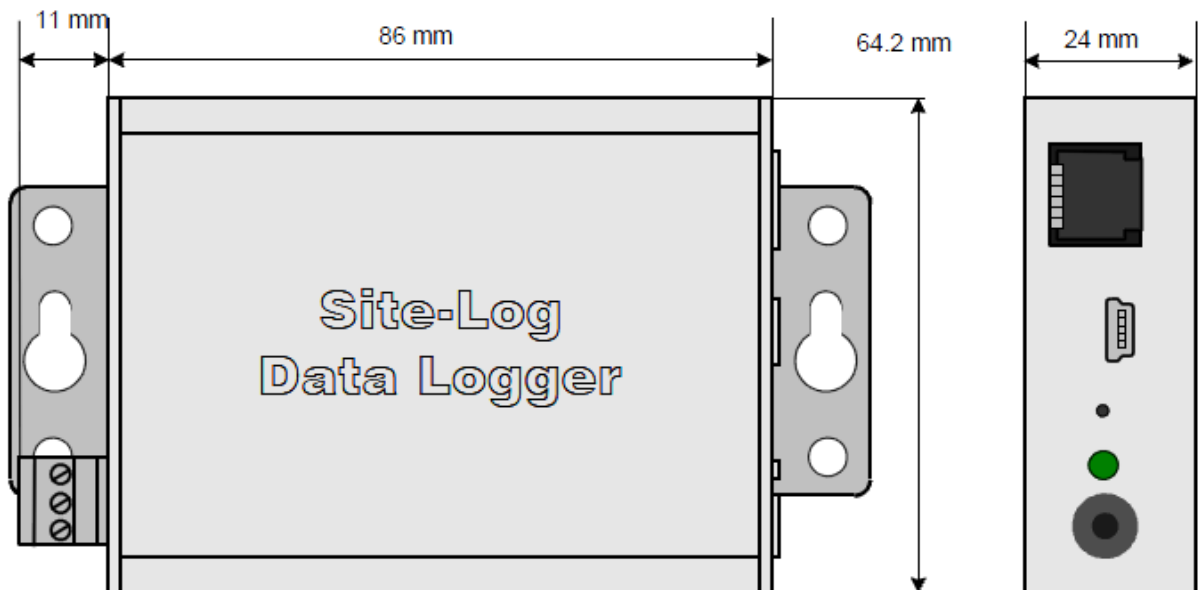
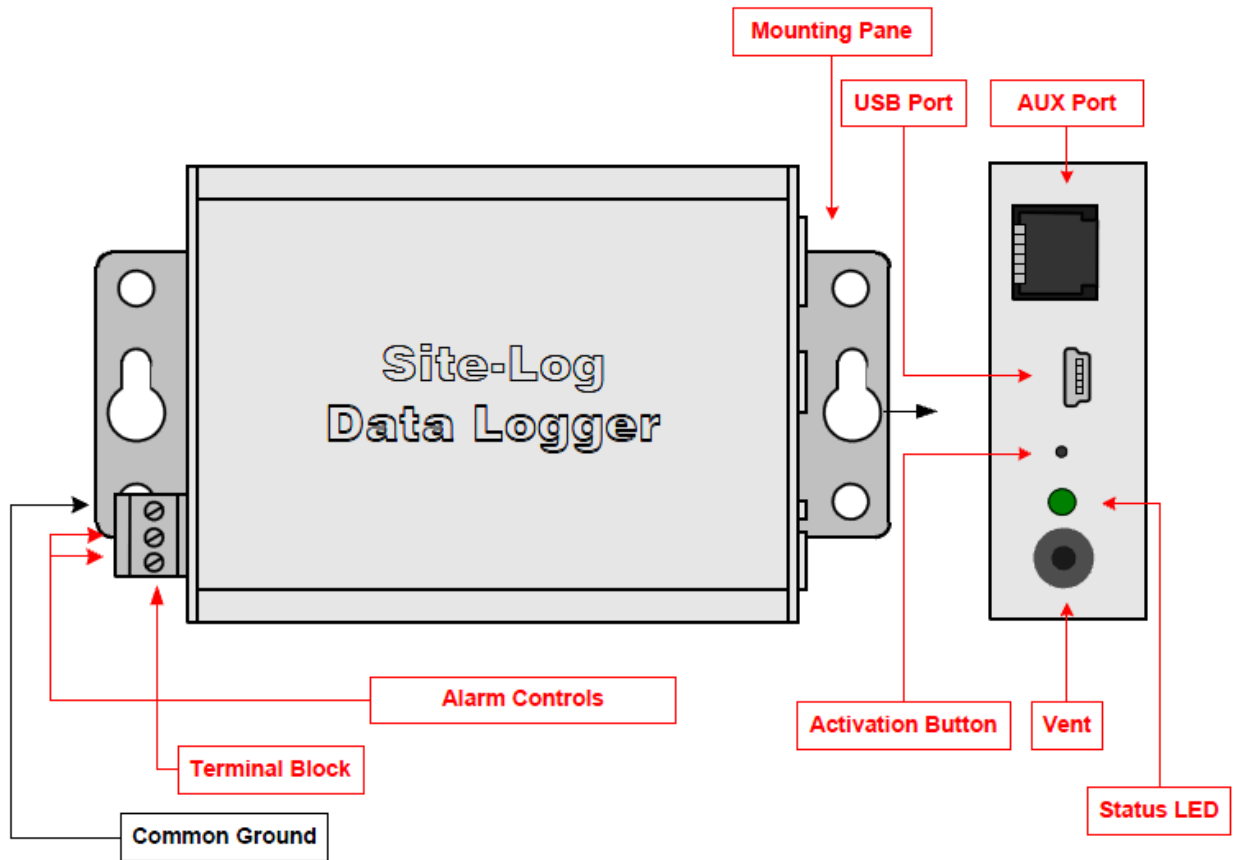
For Model LPV-1, LPVB-1, LPC-1, LPCB-1, LPM-1, LPMB-1, LPTM-1, LPTH-1, LPTHB-1, LFV-X, LFVB-X, LFC-X, LFCB-X, LFM-1, LFMB-1:





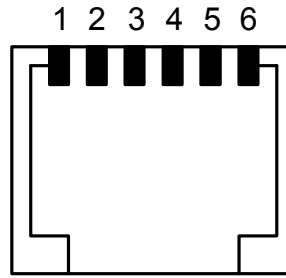
Dimension: 88 X 64.2 X 24 MM
3.46 X 2.53 X 0.95 Inches

Logger Diagram for Model LRHT-1/LRHT-2:



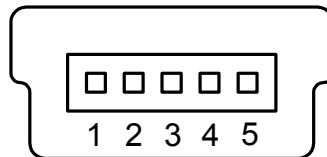
Dimension: 88 X 64.2 X 24 MM
3.46 X 2.53 X 0.95 Inches

AUX Port Pin-out (Face-In)



- Pin1: Alarm1 (Same as ALARM1 on the terminal block)
- Pin2: External Power Supply (+5 VDC)
- Pin3: Logger Communications Receiver Line (RX)
- Pin4: Logger Communications Transmitter Line (TX)
- Pin5: Common Ground (COM, GND)
- Pin6: Alarm2/Excitation (Same as A2/EXT on the terminal block)

USB Port Pin-out (Face-In)



- Pin1: External Power Supply (+5 VDC)
- Pin2: Logger Communications Receiver Line (RX)
- Pin3: Logger Communications Transmitter Line (TX)
- Pin4: Common Ground (COM , GND)

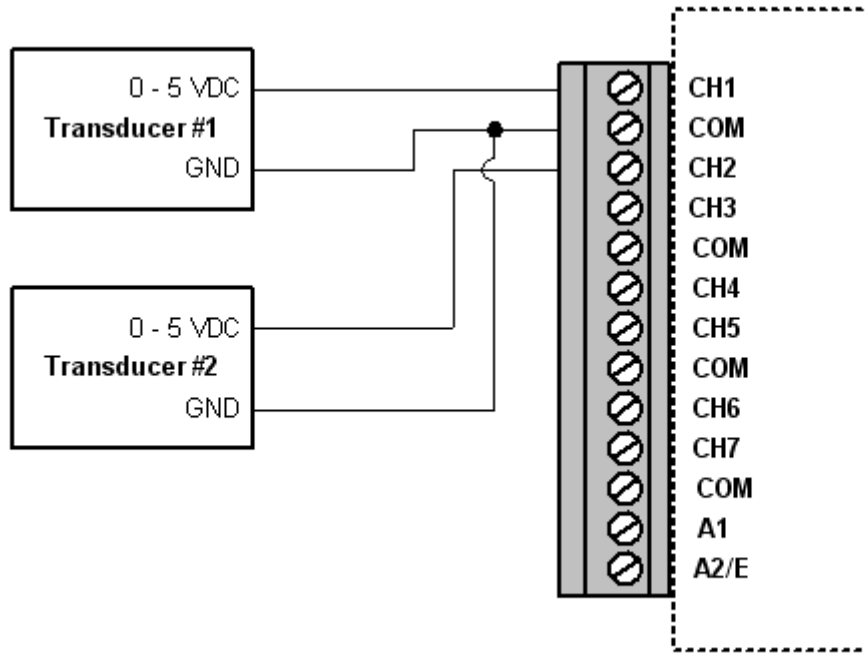
3. Channels and Sensor connections

All Site-Log data loggers except LRHT-1/2 have one on-board thermistor located beside the status LED.

All “COM” terminals are connected together and should be connected to the common ground of the process signals.

LPV-1 /LPVB-1 – Voltage Inputs, Programmable Range

Besides the on-board thermistor channel, the LPV-1/LPVB-1 logger has seven external voltage DC channels used to measure single-ended voltage DC signals maximum of 20 volt. The following figure illustrates the correct input connections:



Voltage External Input Connections

Note: All inputs must share the same common ground.

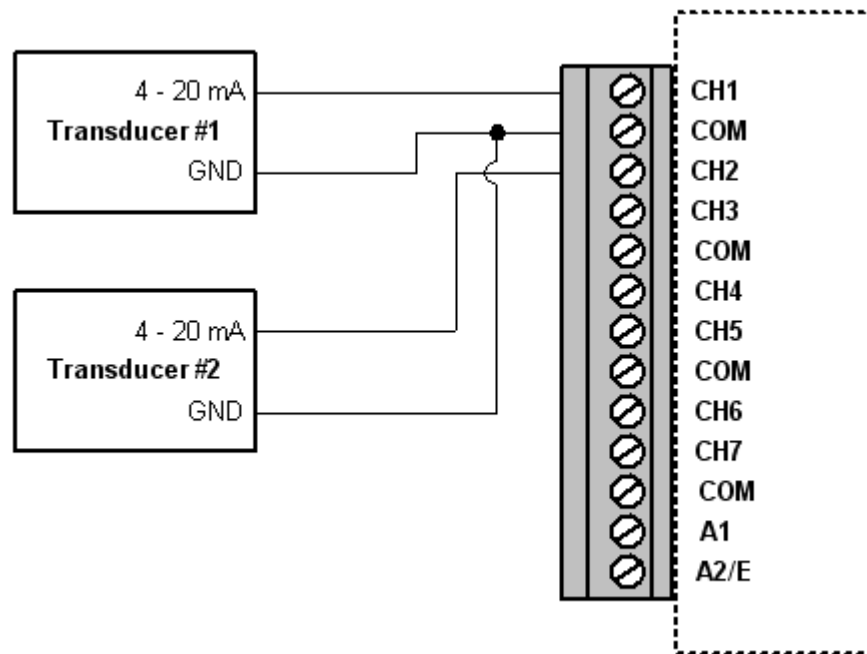
Channel and Sensor Specifications:

Connections:	Pluggable terminal block for seven external channels, excitation controls and alarm outputs
Channels:	CH0: on-board thermistor (-40 ~ +70°C) (-40 to + 158°F). CH1 to CH7: Seven external Voltage DC with software programmable input range selections for each channel: For LPV-1: 0 to 20 V, 0 to 10 V, 0 to 5 V, 0 to 2 V For LPVB-1: 0 to 20 V, 0 to 10 V, 0 to 5 V, 0 to 2 V, -5 to +5 V, -2 to +2 V
Resolution:	0.0018%
Accuracy:	Thermistor channel: +/- 0.2°C(0°C ~ 70°C) Voltage channels: For LPV-1: +/- 0.15% @ 25°C from 0.1V and up +/- 0.5% @ 25°C from 0 – 0.1V

	For LPVB-1: +/- 0.05% FSR @ 25°C for 20V, 10V, 5V, -5 to +5V channels +/- 0.1% FSR @ 25°C for 2V, -2 to +2V channels
Input Impedance:	> 1 Mohms
Over-voltage protection:	For LPV-1: up to -3 VDC and +40 VDC For LPVB-1: +/- 40 VDC

LPC-1/LPCB-1 – Current Inputs, Range Programmable

Besides the on-board thermistor channel, LPC-1/LPCB-1 logger has seven external current DC channels used to measure single-ended current DC signals maximum of 50 mA. The following figure illustrates the correct input connections:



Current External Input Connections

Note: All inputs must share the same common ground.

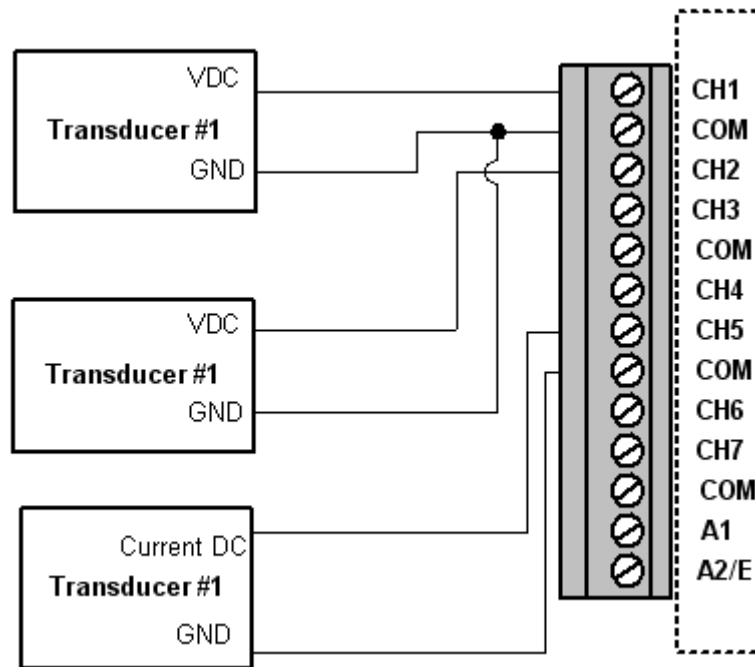
Channel and Sensor Specifications:

Connections:	Plugeable terminal block for seven external channels, excitation controls and alarm outputs
Channels:	CH0: One on-board thermistor (-40 ~ +70°C) (-40 to + 158°F). CH1 to CH7: Seven external current DC with software programmable input range selections for each channel: 4-20 mA, 50 mA

ADC Resolution:	0.0018%
Accuracy:	Thermistor channel: +/- 0.2°C(0°C ~ 70°C) LPC-1 4 – 20mA channel: +/- 0.15% FSR @ 25°C LPC-1 50mA channel: +/- 0.15% @ 25°C from 2.5 – 50 mA +/- 0.5% @ 25°C from 0 – 2.5 mA LPCB-1 current channel: +/- 0.1% FSR @ 25°C
Load Resistance:	12 Ohm
Over-current Protection	+/- 100 mA

LPM-1/LPMB-1 – Voltage & Current Inputs, Range Programmable

Besides the on-board thermistor channel, LPM-1/LPMB-1 logger has seven external voltage and current channels. The first four external channels are used to measure single-ended voltage maximum of 20 VDC and the remaining three external channels are used to measure single-ended current DC signals maximum of 50 mA. The following figure illustrates the correct input connections:



Voltage and Current External Input Connections

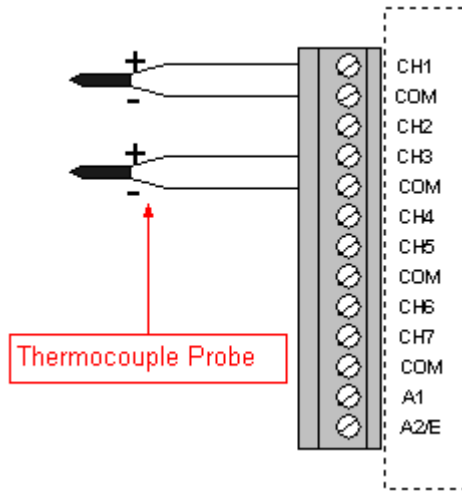
Note: All inputs must share the same common ground.

Channel and Sensor Specifications:

Connections:	Plugeable terminal block for seven external channels, excitation controls and alarm outputs
Channels:	<p>CH0: One on-board thermistor (-40 ~ +70°C) (-40 to + 158°F). CH1 to CH4: External voltage DC with software programmable input range selections for each channel: For LPM-1: 0 – 20 V, 0 – 10 V, 0 – 5 V, 0 – 2 V CH5, CH6, CH7: External current DC with software programmable input range selections for each channel: 4-20 mA, 50 mA</p> <p>For LPMB-1: 0 – 20 V, 0 – 10 V, 0 – 5 V, 0 – 2 V, -5 to +5 V, -2 to +2 V CH5, CH6, CH7: External current DC with software programmable input range selections for each channel: 4-20 mA, 50 mA</p>
Resolution:	0.0018%
Accuracy:	<p>Thermistor channel: +/- 0.2°C(0°C ~ 70°C)</p> <p>LPM-1 voltage channels: +/- 0.15% @ 25°C from 0.1V and up, +/- 0.5% 0 – 0.1V @ 25°C.</p> <p>LPMB-1 voltage channels: +/- 0.05% FSR @ 25°C for 20V, 10V, 5V, -5 to +5V channels +/- 0.1% FSR @ 25°C for 2V, -2 to +2V channels</p> <p>LPM-1 4 – 20mA current channels: +/- 0.15% FSR @ 25°C LPM-1 50mA channel: +/- 0.15% 2.5 – 50 mA @ 25°C, +/- 0.5% 0 – 2.5 mA @ 25°C</p> <p>LPMB-1 current channels: +/- 0.1% FSR @ 25°C</p>
Input Impedance:	> 1 Mohms (for CH1 to CH4)
Load Resistance:	12 Ohm (for CH5, CH6, CH7)
Over-voltage Protection	For LPM-1: up to -3 VDC and +40 VDC For LPMB-1: +/-40 VDC
Over-current Protection	+/-100 mA

LPTM-1 – Thermocouple Inputs, Range Programmable

Besides the on-board thermistor channel, LPTM-1 logger has seven external voltage DC channels used to measure thermocouple probes or small voltage signals. The following figure illustrates the correct input connections:



Thermocouple Input Connections

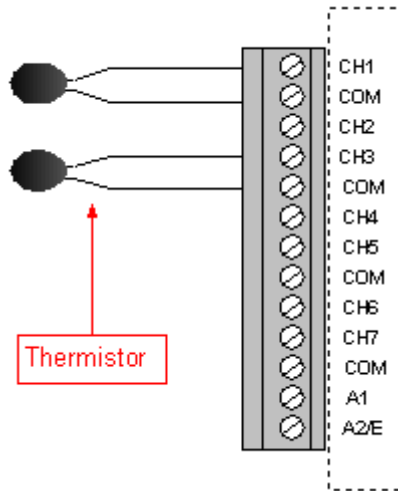
Note: All inputs must share the same common ground.

Channel and Sensor Specifications:

Connections:	Plugeable terminal block for seven external channels, excitation controls and alarm outputs
Channels:	CH0: on-board thermistor (-40 ~ +70°C) (-40 to + 158°F). CH1 to CH7: Seven external Voltage DC with software programmable input range selections for each channel: Range1: -8 to +73 mV Range2: -4 to + 36 mV Range3: -2 to +18 mV Range4: -8 to + 8 mV
Resolution:	0.0018%
Accuracy:	Thermistor channel: +/- 0.2°C(0°C ~ 70°C) Voltage channels: Range1 (-8 to +73 mV): +/- 0.1% (0.08 mV) @ 25°C + T/C Accuracy Range2 (-4 to + 36 mV): +/- 0.1% (0.04 mV) @ 25°C + T/C Accuracy Range3 (-2 to +18 mV): +/- 0.15% (0.03 mV) @ 25°C + T/C Accuracy Range4 (-8 to + 8 mV): +/- 0.15% (0.024 mV)@ 25°C + T/C Accuracy
Over-voltage protection:	+/- 20 VDC

LPTH-1 – Thermistor / Resistor Inputs, Range Programmable

Besides the on-board thermistor channel, LPTH-1/ logger has seven external channels used to measure the external thermistors or resistors. The following figure illustrates the correct input connections:



Thermistor External Input Connections

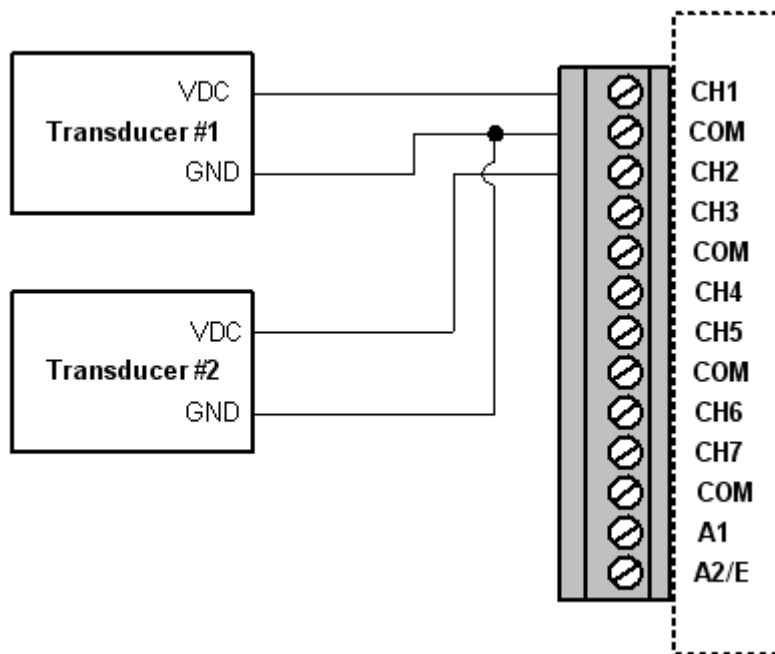
Note: All inputs must share the same common ground.

Channel and Sensor Specifications:

Connections:	Plugeable terminal block for seven external channels, excitation controls and alarm outputs
Channels:	CH0: on-board thermistor (-40 ~ +70°C (-40 to + 158°F). CH1 to CH7: Seven external thermistor/resistor with programmable input range selections for each channel: Range1: > 10 Kohms (any type of thermistor) Range2: > 5 Kohms and <= 10 Kohms Range3: >2.5 Kohms and <= 5 Kohms Range4: > 1.25 Kohms and <= 2.5 Kohms Range5: <= 1.25 Kohms
Resolution:	0.0018%
Accuracy:	Thermistor channel: +/- 0.2°C(0°C ~ 70°C) External channels: +/- 0.2% FSR @ 25°C

LFV/LFVB Series – Voltage Inputs

Besides the on-board thermistor channel, a LFV/LFVB series logger has seven external voltage DC channels used to measure single-ended voltage DC signals maximum of 20 VDC. The following figure illustrates the correct input connections:



Voltage External Input Connections

Note: All inputs must share the same common ground.

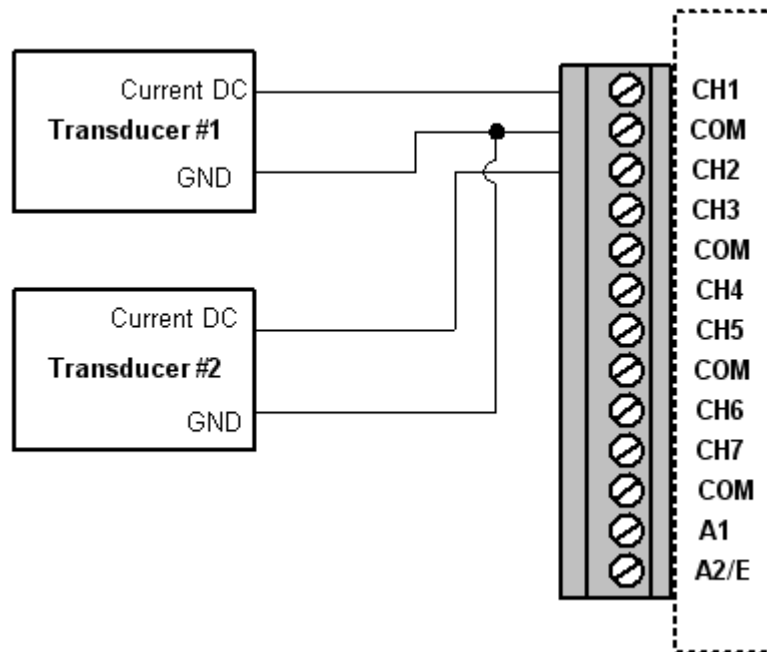
Channel and Sensor Specifications:

Connections:	Plugable terminal block for seven external channels, excitation controls and alarm outputs
Channels:	
CH0:	On-board thermistor (-40 ~ +70°C) (-40 to + 158°F).
LFV-1/LFVB-1:	CH1 to CH7: 20 VDC
LFV-2/ LFVB-2:	CH1 to CH7: 10 VDC
LFV-3/ LFVB-3:	CH1 to CH7: 5 VDC
LFV-4/ LFVB-4:	CH1 to CH7: 2 VDC
LFV-5/LFVB-5	CH1: 20 VDC CH2: 10 VDC CH3: 10 VDC CH4: 5 VDC CH5: 5 VDC CH6: 2 VDC CH7: 2 VDC
Resolution:	0.0018%
Accuracy:	Thermistor channel: +/- 0.2°C(0°C ~ 70°C) LFV voltage channels: +/- 0.15% @ 25°C from 0.1V and up +/- 0.5% @ 25°C from 0 – 0.1V LFVB voltage channels:

	+/- 0.05% FSR @ 25°C for 20V, 10V, 5V channels +/- 0.1% FSR @ 25°C for 2V channels
Input Impedance:	> 1 Mohms
Over-voltage protection:	For LFV-1: up to -3 VDC and +40 VDC For LFVB-1: +/- 40 VDC

LFC/LFCB Series – Current Inputs

Besides the on-board thermistor channel, a LFC/LFCB series logger has seven external current DC channels used to measure single-ended current DC signals maximum of 50 mADC. The following figure illustrates the correct input connections:



Current External Input Connections

Note: All inputs must share the same common ground.

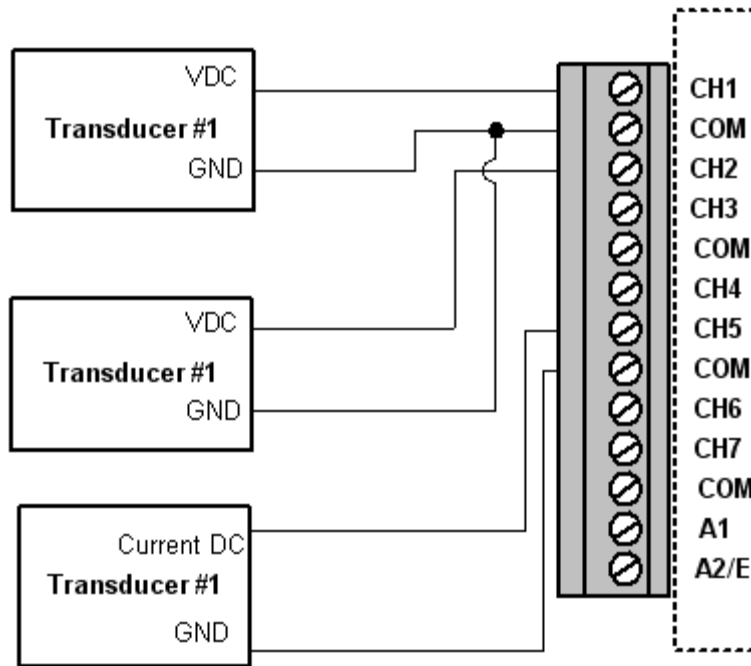
Channel and Sensor Specifications:

Connections:	Plugeable terminal block for seven external channels, excitation controls and alarm outputs
Channels:	
CH0:	On-board thermistor (-40 ~ +70°C) (-40 to + 158°F).
LFC-1/LFCB-1:	CH1 to CH7: 4 – 20 mA
LFC-2/ LFCB-2:	CH1 to CH7: 50 mA

LFC-3/ LFCB-3:	CH1: 50 mA CH2: 50 mA CH3: 50 mA CH4: 4 – 20 mA CH5: 4 – 20 mA CH6: 4 – 20 mA CH7: 4 – 20 mA
Resolution:	0.0018%
Accuracy:	Thermistor channel: +/- 0.2°C(0°C ~ 70°C) LFC 4 – 20mA channel: +/- 0.15% FSR @ 25°C LFC 50mA channel: +/- 0.15% 2.5 – 50 mA @ 25°C, +/- 0.5% 0 – 2.5 mA @ 25°C LFCB current channel: +/- 0.1% FSR @ 25°C
Load Resistance:	12 Ohms
Over-current Protection	+/-100 mA

LFM-1/LFMB-1 – Voltage & Current Inputs

Besides the on-board thermistor channel, LFM-1/LFMB-1 logger has seven voltage and current external channels. The first four external channels are used to measure single-ended voltage DC signals maximum of 20 volt DC. The remaining three external channels are used to measure single-ended current DC signals maximum of 50 mA DC. The following figure illustrates the correct input connections:



Voltage and Current External Input Connections

Note: All inputs must share the same common ground.

Channel and Sensor Specifications:

Connections:	Plugeable terminal block for seven external channels, excitation controls and alarm outputs
Channels:	CH0: One on-board thermistor (-40 ~ +70°C) (-40 to + 158°F). CH1: 20 VDC CH2: 10 VDC CH3: 5 VDC CH4: 2 VDC CH5: 4 – 20 mA CH6: 4 – 20 mA CH7: 4 – 20 mA
Resolution:	0.0018%
Accuracy:	Thermistor channel: +/- 0.2°C(0°C ~ 70°C) LFM voltage channel: +/- 0.15% @ 25°C from 0.1V and up +/- 0.5% @ 25°C from 0 – 0.1V LFMB voltage channel: +/- 0.05% FSR @ 25°C for 20V, 10V 5V channels +/- 0.1% FSR @ 25°C for 2V channels LFM 4 – 20mA current channels:

	+/- 0.15% FSR @ 25°C LFM 50mA channel: +/- 0.15% 2.5 – 50 mA @ 25°C, +/- 0.5% 0 – 2.5 mA @ 25°C LFMB current channel: +/- 0.1% FSR @ 25°C
Input Impedance:	> 1 Mohms (for CH1 to CH4)
Load Resistance:	12 Ohm (for CH5, CH6, CH7)
Over-voltage Protection	For LFM-1: up to -3 VDC and +40 VDC For LFMB-1: +/-40 VDC
Over-current Protection	+/-100 mA

LRHT-1/LRHT-2 – Relative Humidity & Temperature Inputs

LRHT-1 data logger has one on-board sensor for both temperature and humidity measurement. LRHT-2 is same as LRHT-1 except the sensor is housed in an external probe.

Channel and Sensor Specifications:

Channels:	CH0: On-board temperature (-40 ~ +70°C) (-40 to + 158°F). CH1: On-board relative humidity (0 – 100% RH)
ADC Resolution:	12 bit (1/4096) (0.024%)
Accuracy:	Temperature: +/- 0.4°C at 25°C RH: +/-3% (20 – 80% RH)

4 Basic Functions

Built-In Equations

Equation and Channel Type are two essential parameters to make sure the physical measurement can be converted correctly.

An equation is a software functionality identified by its name of up to 16 characters. A built-in equation is an equation provided by SiteView software to convert a measurement for a specific channel type.

A channel must have an equation assigned to it in order to make the measurement conversion.

“Digit” built-in equation can be assigned to any channel type. If you assign “Digit” equation to a channel the physical measurement will be the original digital value measured by ADC (Analog-to-digital converter) hardware.

The following table lists all available built-in equations for all channel types:

Channel Type	Equation Name	Equation Description
Internal-Thermistor	Temperature	Temperature
0-0.6 VDC	VoltageDC	Voltage DC
0-1.25 VDC	VoltageDC	Voltage DC
0-2 VDC	VoltageDC	Voltage DC
0-5 VDC	VoltageDC	Voltage DC
0-10 VDC	VoltageDC	Voltage DC
0-20 VDC	VoltageDC	Voltage DC
-5 to +5 VDC	VoltageDC	Voltage DC
-2 to +2 VDC	VoltageDC	Voltage DC
4-20 mA DC	CurrentDC	Current DC
0-50 mA DC	CurrentDC	Current DC
Thermocouple Range1: -8 to +73 mV	ThermocoupleE ThermocoupleJ ThermocoupleK ThermocoupleN ThermocoupleT VoltageDC	Thermocouple E Thermocouple J Thermocouple K Thermocouple N Thermocouple T Voltage DC
Thermocouple Range2: -4 to + 36 mV	ThermocoupleE ThermocoupleJ ThermocoupleK ThermocoupleN ThermocoupleT VoltageDC	Thermocouple E Thermocouple J Thermocouple K Thermocouple N Thermocouple T Voltage DC
Thermocouple Range3: -2 to +18 mV	ThermocoupleB ThermocoupleE ThermocoupleJ ThermocoupleK ThermocoupleN ThermocoupleR ThermocoupleS ThermocoupleT VoltageDC	Thermocouple B Thermocouple E Thermocouple J Thermocouple K Thermocouple N Thermocouple R Thermocouple S Thermocouple T Voltage DC
Thermocouple Range4: -8 to + 8 mV	ThermocoupleB ThermocoupleE ThermocoupleJ ThermocoupleK ThermocoupleN ThermocoupleR ThermocoupleS ThermocoupleT VoltageDC	Thermocouple B Thermocouple E Thermocouple J Thermocouple K Thermocouple N Thermocouple R Thermocouple S Thermocouple T Voltage DC
Thermistor Range1: > 10 Kohm	Temperature Resistance	Default external thermistor type. Any resistor with range

		bigger than 10 Kohm
Thermistor Range2: >= 5 Kohm	Resistance	Any resistor with range: Between 5 to 10 Kohm
Thermistor Range3: >= 2.5 Kohm	Resistance	Any resistor with range: Between 2.5 to 5 Kohm
Thermistor Range4: >= 1.25 Kohm	Resistance	Any resistor with range: Between 1.25 to 5 Kohm
Thermistor Range5: < 1.25 Kohm	Resistance	Any resistor with range: Less than 1.25 Kohm
Relative Humidity (RHT-1)	RelativeHumidity	Relative Humidity
Temperature(RHT-1)	Temperature	Temperature

Measuring & Logging

During the session of logging, when it's time to sample, Site-Log data logger measures the signal of each enabled channel, converts it to digital value and saves to the on-board memory.

Site-Log data logger uses a group of preset parameters to decide when and how to take in data and save it to the memory. Those parameters can be configured by SiteView software and their definitions are given as below:

Start Time:

This parameter specifies the date and time when the logger starts the session of logging.

End Time:

This parameter specifies the date and time when the logger will stop the session of logging. This value may be overridden by **Logging Mode** parameter. . If **Logging Mode** was set to **Continue Logging**, the **Start Time** and the **End Time** will be shifted forward.

Sampling Interval:

This parameter specifies the time span the logger will wait after it takes the first sample and before it takes the second sample.

If the logger is configured with a sampling interval of 4 seconds or faster, it will operate in fast sampling mode. When a logger is in fast sampling mode, it has the following conditions:

1. The logger needs external power supply (supplied by USB or AUX port) for the logging period.
2. Any communications with the logger will interrupt its operation and stop the recording.
3. The number of enabled channels depends on the sampling intervals:
 - 1 channel with 20 ms interval
 - 2 channels with 30 ms interval

8 channels with 40 ms or bigger interval

Logging Mode:

This parameter specifies if the logger will stop or continue logging when the memory is full. Available settings are **Stop Logging** and **Continue Logging**.

If **Logging Mode** was set to **Stop Logging**, the logger will stop logging at the **End Time**. If **Logging Mode** was set to **Continue Logging**, the logger will continue logging and the oldest data will be overwritten by the new data.

Downloading Data

The data in the logger can be transferred to the computer by SiteView software. If the logger is not in **Fast Sampling** mode, the data can be downloaded any time even when the logger is still recording. If the logger is in **Fast Sampling** mode, downloading the data will make the logger stop logging at the time when it received the downloading command.

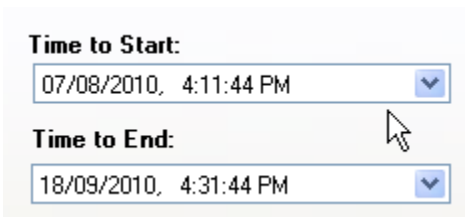
The readings saved in the logger are ADC digital values, and will be converted to physical measurements by SiteView software after they are downloaded to the computer. The data conversion is handled by an equation that may be embedded in SiteView software or a script provided by the user.

Field Activation

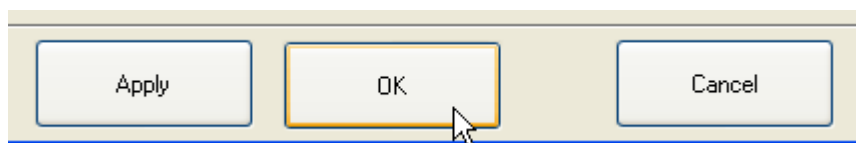
Site-Log data logger comes with an on-board activation button which can be used to activate/initiate the logging session in the field.

To activate the logger for new session:

1. With the SiteView software, open the configuration dialog of the logger, and set the start time to any time the desired start time will never reaches. Click **OK** button to save new settings to the logger.



The screenshot shows a configuration dialog with two dropdown menus. The first is labeled 'Time to Start:' and has the value '07/08/2010, 4:11:44 PM'. The second is labeled 'Time to End:' and has the value '18/09/2010, 4:31:44 PM'. Both dropdown menus have a small blue arrow icon on the right side. A mouse cursor is pointing at the 'Time to End' dropdown.



The screenshot shows a dialog box with three buttons: 'Apply', 'OK', and 'Cancel'. The 'OK' button is highlighted with a yellow border and a mouse cursor is pointing at it.

2. The logger is now in **Start Delay** mode. When you need to activate the logger, press and hold the Activation button on the logger. When you see the status LED starts to flash release the button. The logger is now activated and is recording data.



Field Activation

Note: The activation button can not be further activated once the logger has started the new session.

Status LED

Site-Log logger has an on-board LED used to indicate:

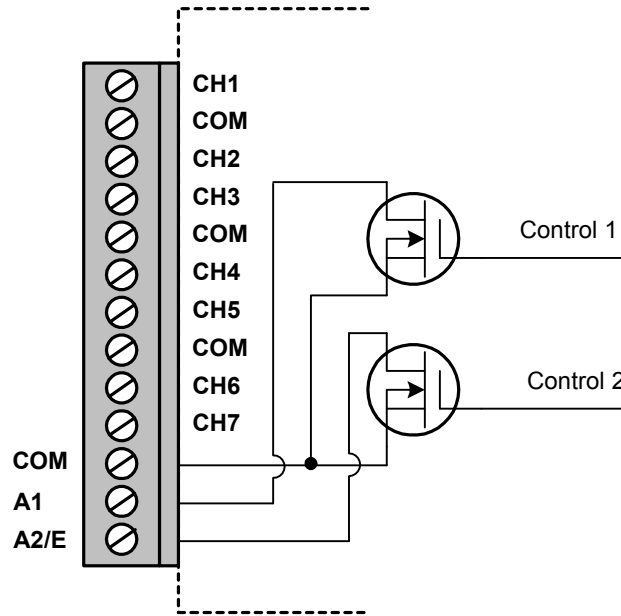
1. Sampling:
When the LED was enabled by SiteView, it will flash once in green when the logger is sampling. The colour of the LED can be overridden by the following conditions:
2. Alarms:
The LED will flash amber when it samples if any channel alarms are enabled and are triggered.
3. Low Battery:
The LED will flash in red when it samples if the logger detects a low battery level.

If you do not need the LED to indicate the status of operation you can disable it (via SiteView) in order to increase the battery life.

Alarm1 & A2/EXT Terminals

Alarm1 and A2/EXT terminals internally connect to the on-board N-channel MOSFET switches. They can be used to control an external power supply to turn on/off devices like lamp, strobe light or siren, or coil relays. The maximum power the switches can supply is 200mA @ 24VDC.

The internal schematics of the switches are as follows:



Alarm1 and A2/EXT can be associated with alarm state and/or excitation control. Please refer to Alarm Output and Excitation Control for details.

2.6 Alarm Output

The logger will be in a state of alarm if **ALL** of the following conditions are met:

1. Channel alarms are enabled.
2. The logger is logging the data.
3. Current sampled reading is beyond low or high alarm thresholds.
4. Alarm-On Delay counter has moved down to zero.

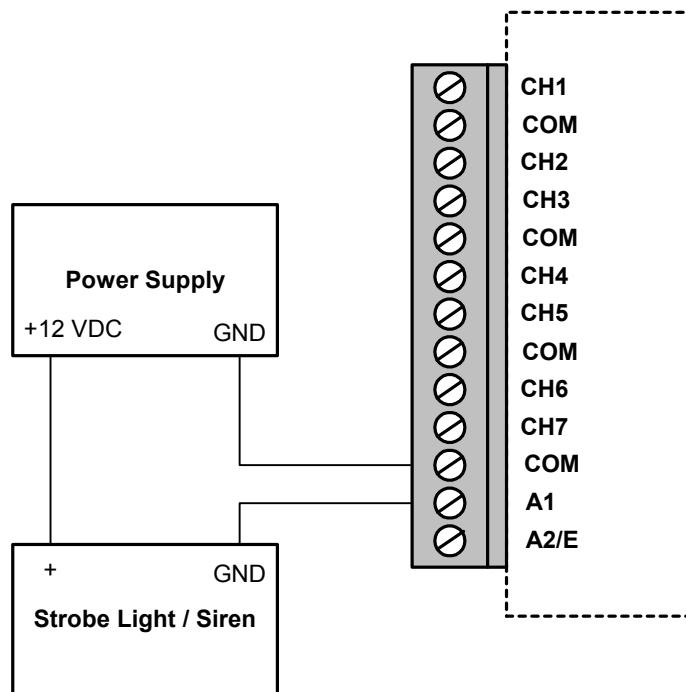
When the logger is in alarm state, Alarm1 and/or A2/E terminal strips can be configured by SiteView to be activated certain time after an alarm was triggered. The delay time selections are: 0, 1, 2, 3, 4, 5, 6, 7, 8, 9, 10 minutes.

The following alarm output combinations can be set by SiteView:

Alarm1 & A2/E Options	Description
Disable any output -> Alarm1 and A2/EXT	No output connects to Alarm1 and A2/E terminals.
High alarm -> A2/EXT only	High-alarm state controls A2/EXT

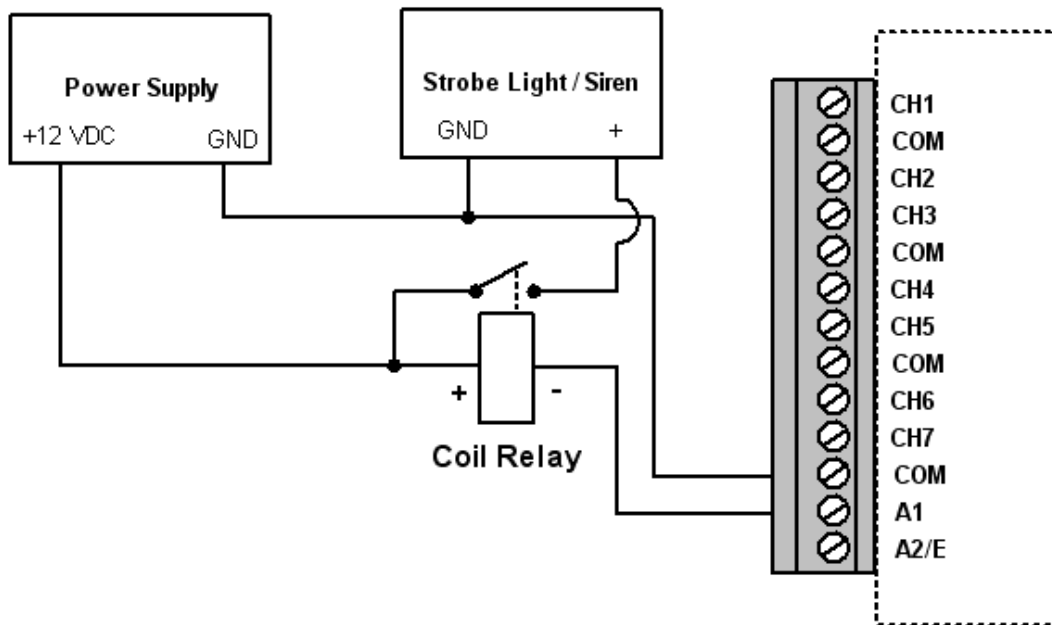
	terminal.
Low alarm -> Alarm1 only	Low-alarm state controls Alarm1 terminal.
High alarm -> A2/EXT and low alarm -> Alarm1	High-alarm state controls A2/EXT terminal and low-alarm state controls A1 terminal.
High alarm and low alarm -> Alarm1	Both high and low alarm states control A1 terminal.
Excitation control -> A2/EXT	Excitation controls A2/EXT terminal.
Excitation control -> A2/EXT and both alarms -> Alarm1	Excitation controls A2/EXT and both high and low alarm states control Alarm1 terminal.
Excitation control -> A2/EXT and low alarm -> Alarm1	Excitation controls A2/EXT terminal and low alarm state controls Alarm1 terminal.
Excitation control -> A2/EXT and high alarm -> Alarm1	Excitation controls A2/EXT terminal and high alarm state controls Alarm1 terminal.

The following schematics illustrate the physical connections required to control and drive an external device by the alarm output:



Alarm1 is used as switch to turn on/off siren based on alarm state.

If the alarm device needs more power to drive, A1 provides control signal to drive a coil relay as follows:



Alarm1 is used as switch of the power supply.

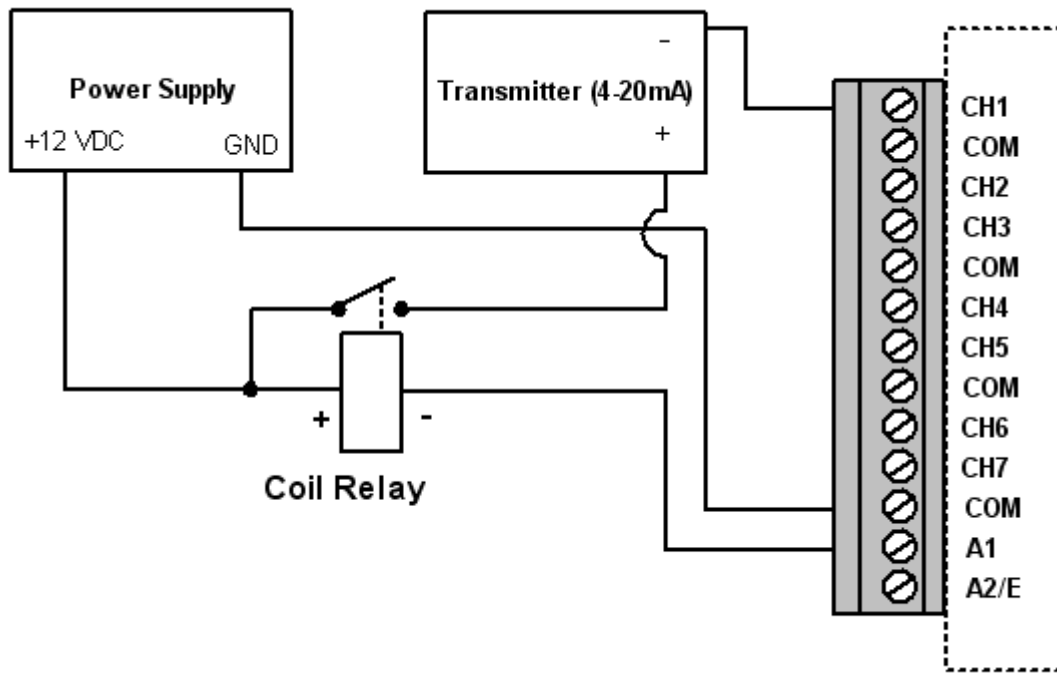
Excitation Output

NOTE: LRHT-1/2 logger does not support excitation output.

Excitation output is used when you need to save the electric power of the device that provides the signal source to the data logger. When there is no local power available and a battery pack is used to power the transducer, excitation control greatly reduces power consumption. It turns on the transducer only when it samples the data and turns off the transducer after the sampling.

A2/EXT on the terminal strips can be configured by SiteView software for excitation output purpose.

The following schematics illustrate the physical connections required to switch on/off an external battery pack for a 2-wire current loop transmitter:



5. Software

SiteView Windows software is used to communicate with the Site-Log data logger for data downloading, logging management, and channel range configuration.

This section outlines basic functions that SiteView offers. For complete instructions on how to use SiteView software please refer to **SiteView User's Manual** available for download online.

System Requirements

Computer:

- CPU: 1.0 GHZ or above
- Memory: 256M or above
- Port: 1 USB port or 1 COM port
- Hard Drive: 1GB or above

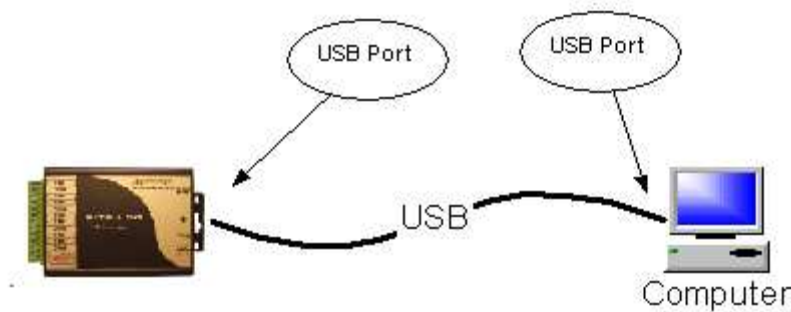
Operating System:

- Window XP, Window Vista, Window 7

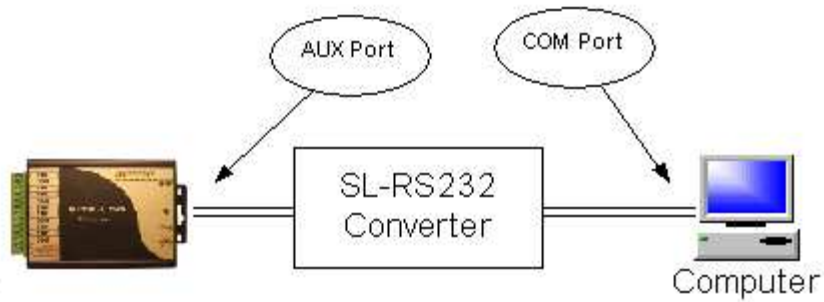
Communications Interfaces

The Site-Log logger has both TTL-compatible serial port and USB interface. It can communicate with host device via either USB or serial port.

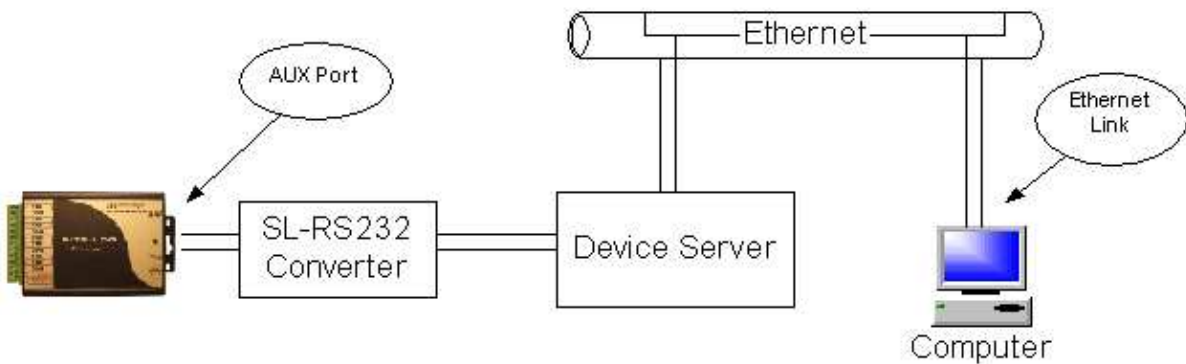
The following schematics illustrate different options that SiteView software can communicate with a data logger.



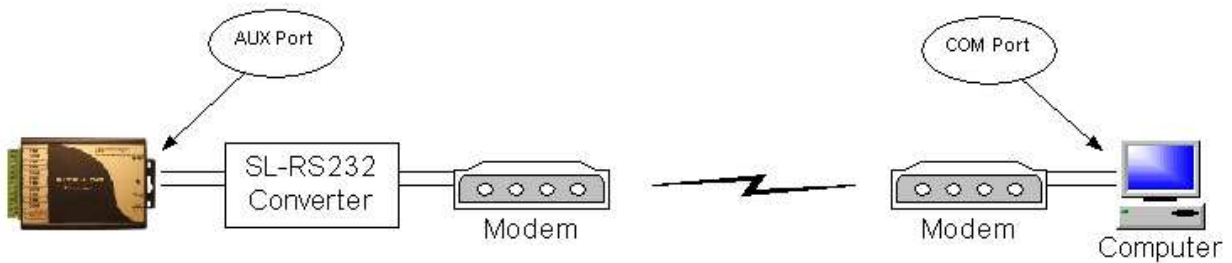
USB Connection



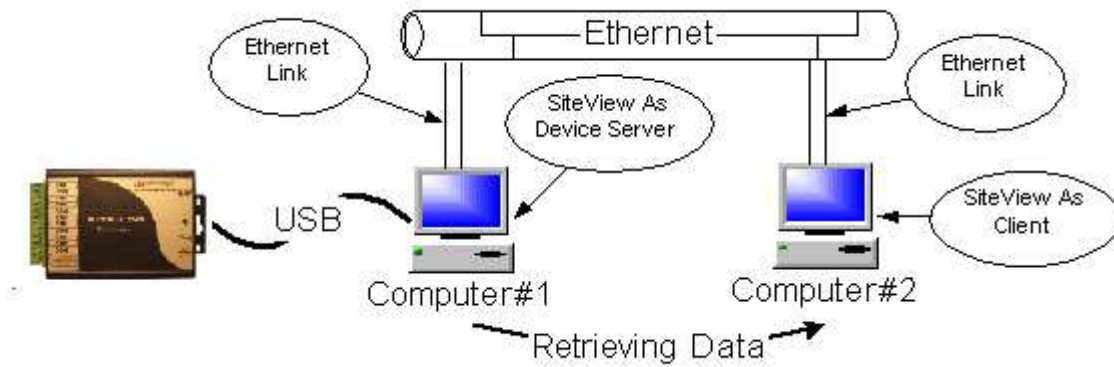
Serial Port Connection



Ethernet Connection



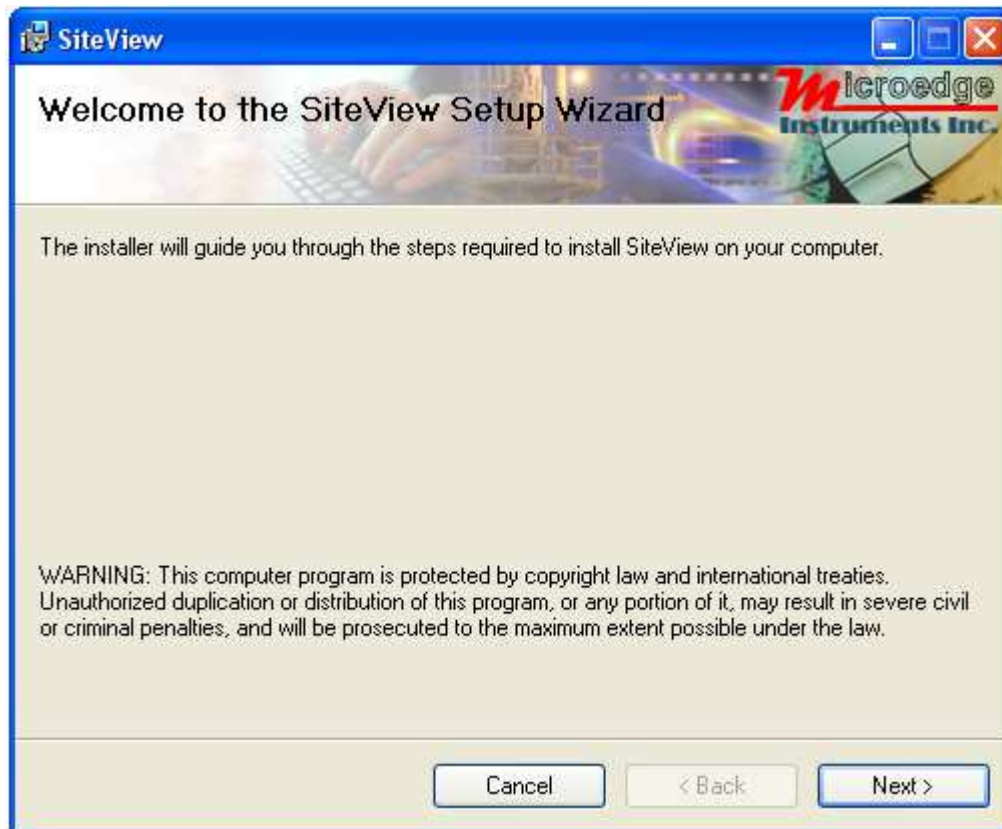
Modem Connection



USB Device Server Connection

Install SiteView

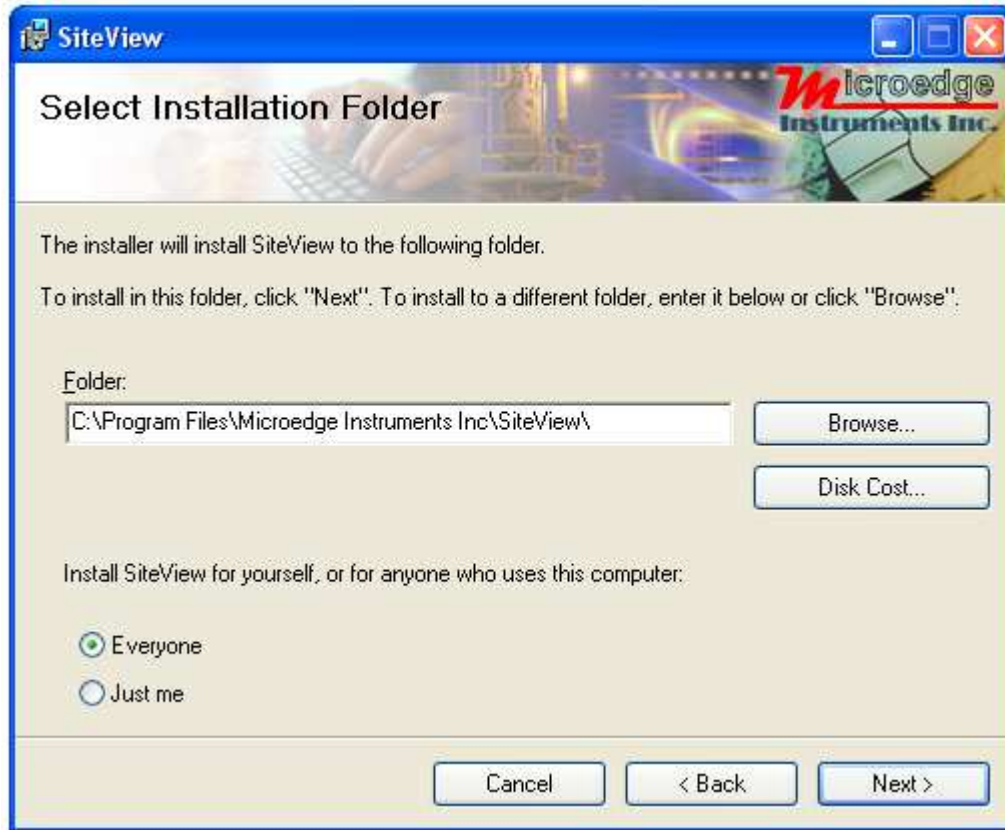
1. Download SiteView installation file (SiteView.zip).
2. Unzip it to a destination folder.
3. Double click on the extracted file (SiteView Setup.exe) and follow the on-screen instructions illustrated below:



Click “Next >” button to proceed to the next page.

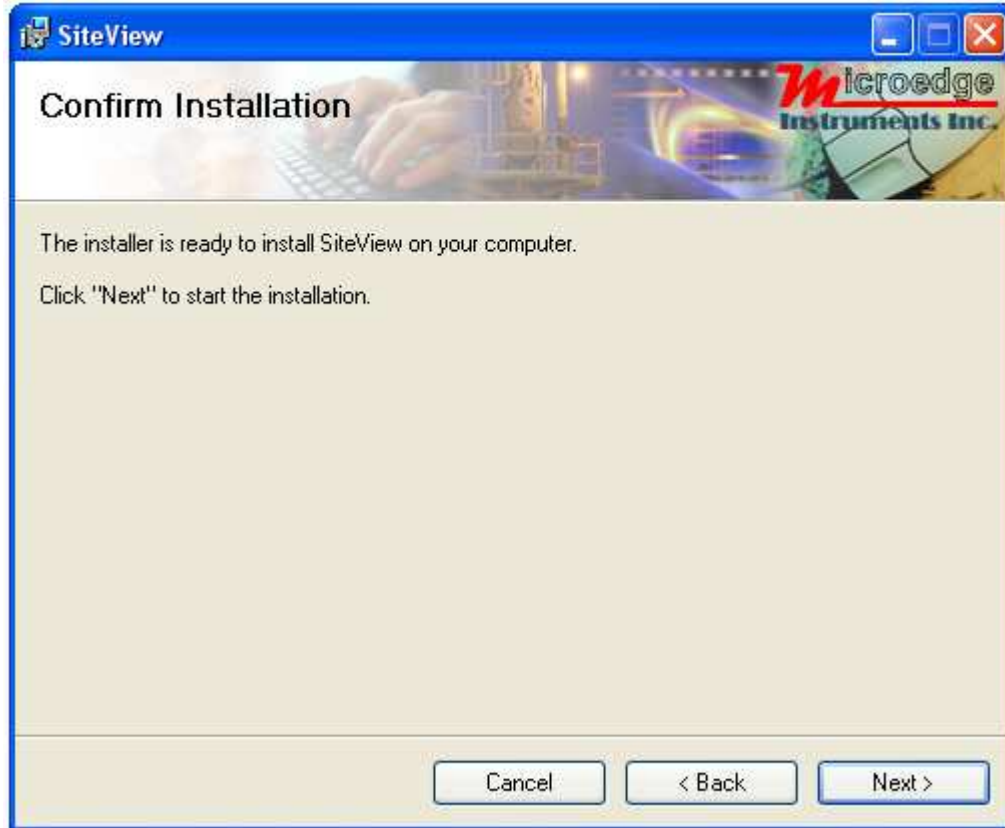


Please read the License Agreement carefully. If you accept the terms click “I Agree”, then click “Next >” button. Otherwise click “Cancel” to cancel the installation.

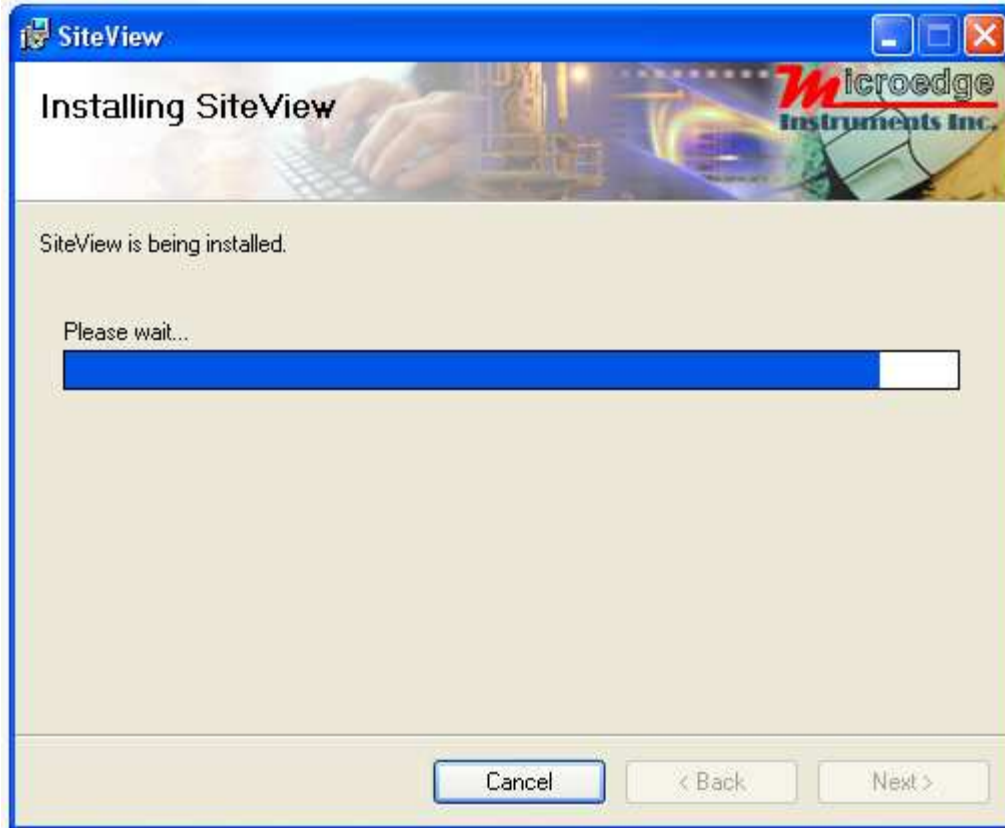


In this dialog select a destination folder where SiteView will be installed. We recommend you keep the default folder.

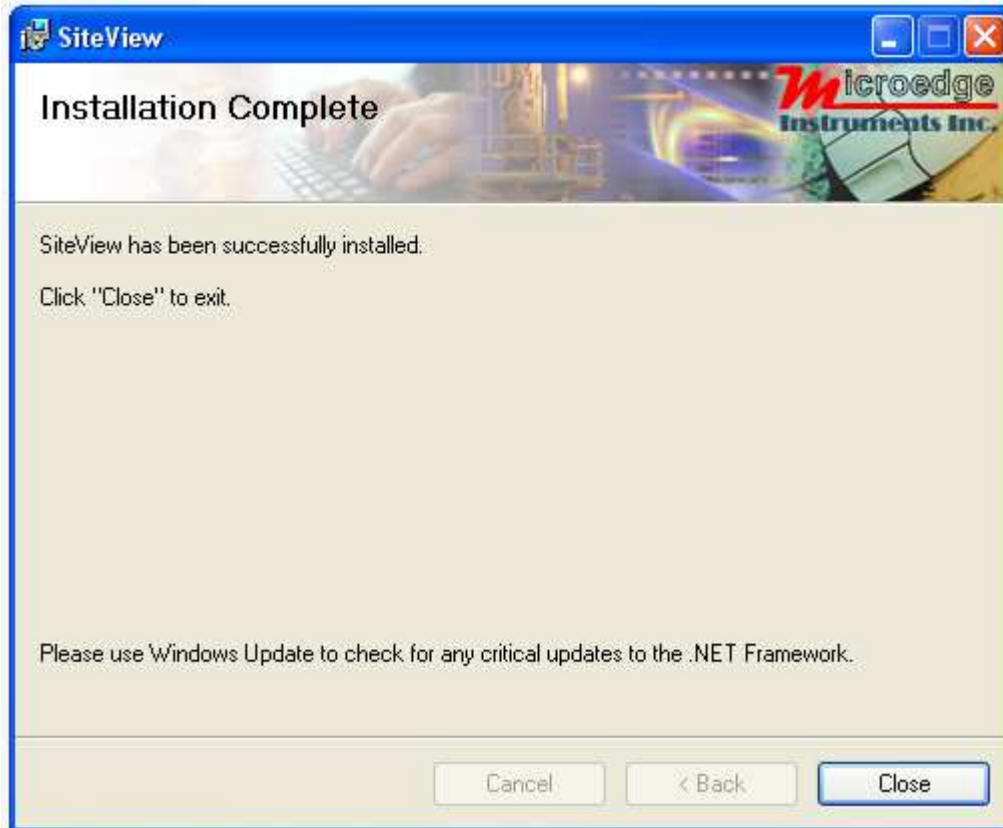
Once you are ready, click “Next >” button to proceed to the next page.



This confirmation page gives you the chance to modify previously selected options. Click “Next >” button to start the installation.



As SiteView is being installed the above dialog shows the installation progress by percentage. Once the installation is complete, the below dialog appears:



Click “Close” button to finish the installation and close the dialog.

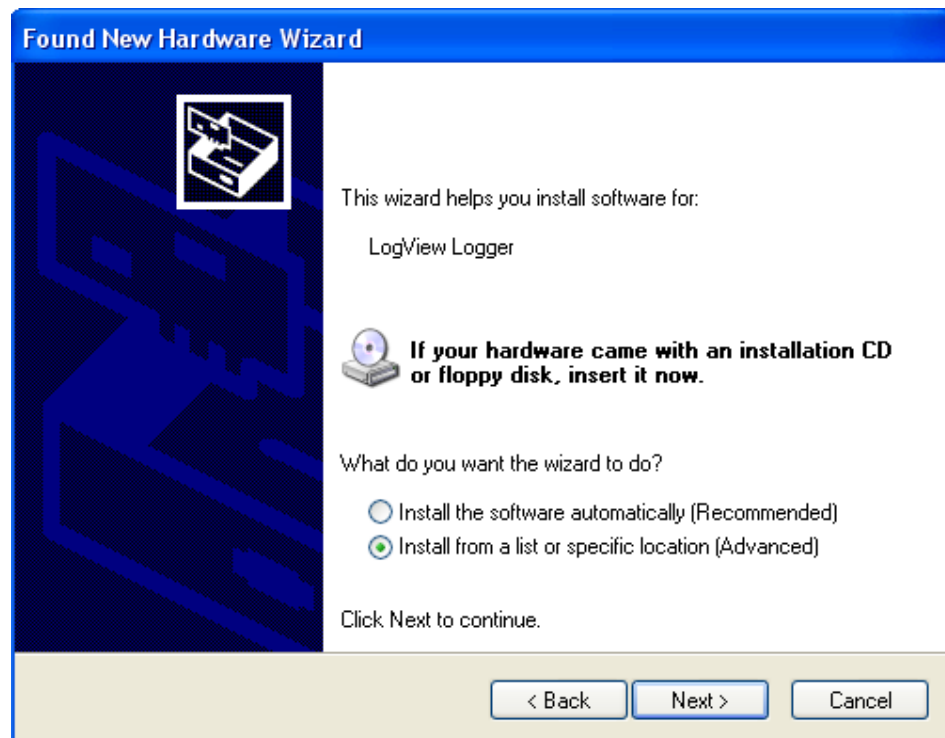
Once SiteView is installed successfully, the SiteView icon is also placed on the desktop. Please install the USB driver explained below before launching SiteView.

Install USB Driver

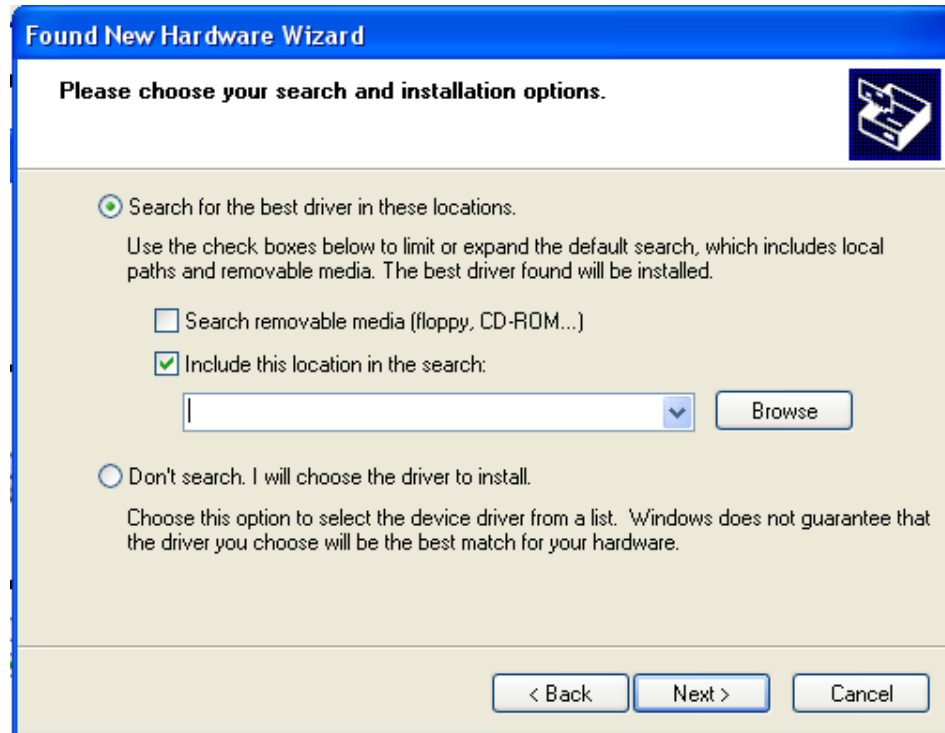
Connect the logger to the computer’s USB port. The following dialog window appears:



Select "No, not this time" from options available and then Click "Next >" to proceed with the installation.

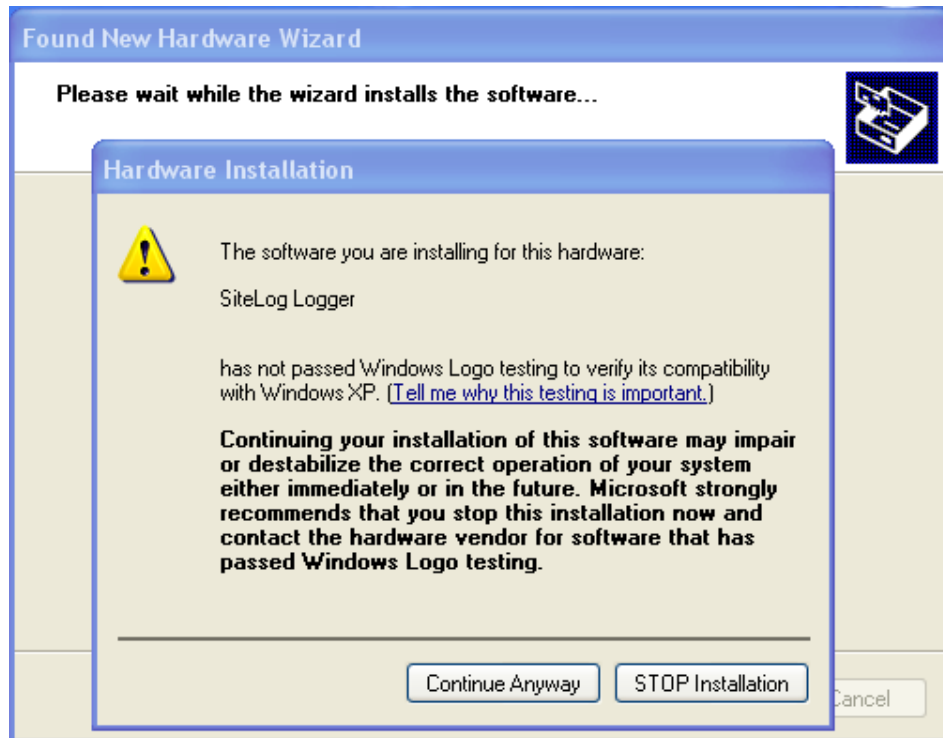


Select "Install from a list of specific location (Advanced)" as shown in the above figure and then click "Next >".

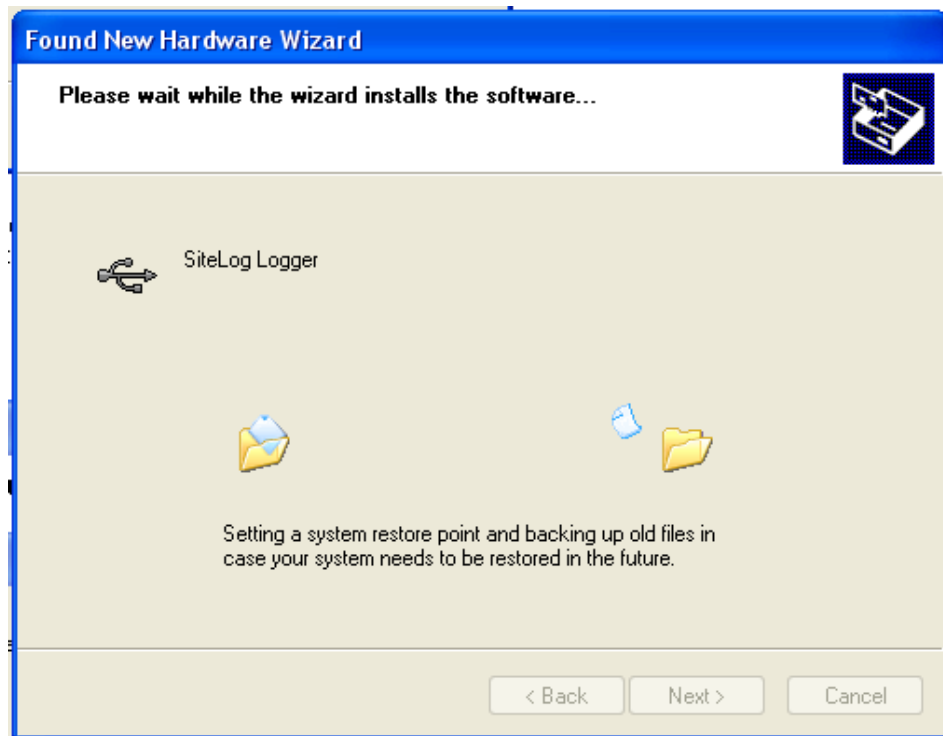


Select "Search for the best driver in these locations.", unselect "Search removable media(floppy, CD-ROM...)" and "Include this location in the search:". Click "Browse" button to locate the folder where you unzipped the installation package. The USB driver is located under "USB driver" folder. For example if you extracted to "C:\temp" folder the USB driver is at "C:\temp\USB driver" folder. Click "Next >" to proceed.

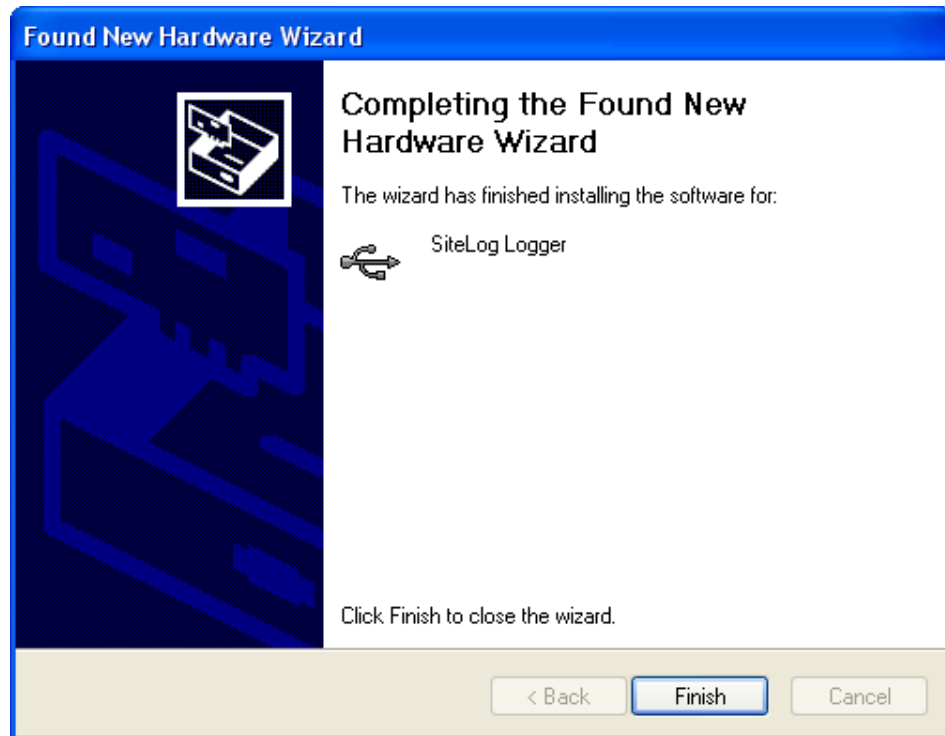
In the following message dialog, click "Continue Anyway" to continue with the installation:



The screen below will be displayed as Windows copies required driver files:



Windows should then display a message indicating the installation was successful:



Click "Finish" to complete the installation.

Activate SiteView

After the installation SiteView needs to be activated by entering Product Key you obtained when you bought SiteView.

If the above installation of SiteView was successful, SiteView can be launched by either one of the following methods:

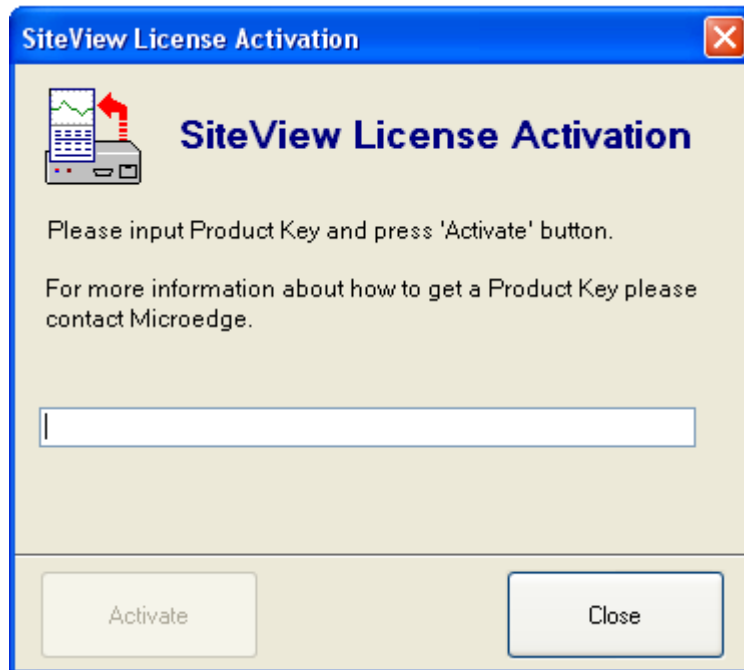
Double click on SiteView icon on the desktop:



Or:

Using Windows Start Menu, select Start : All Programs: Microedge Instruments Inc.: SiteView.

Double click "SiteView" icon on the desktop, and the following dialog appears:

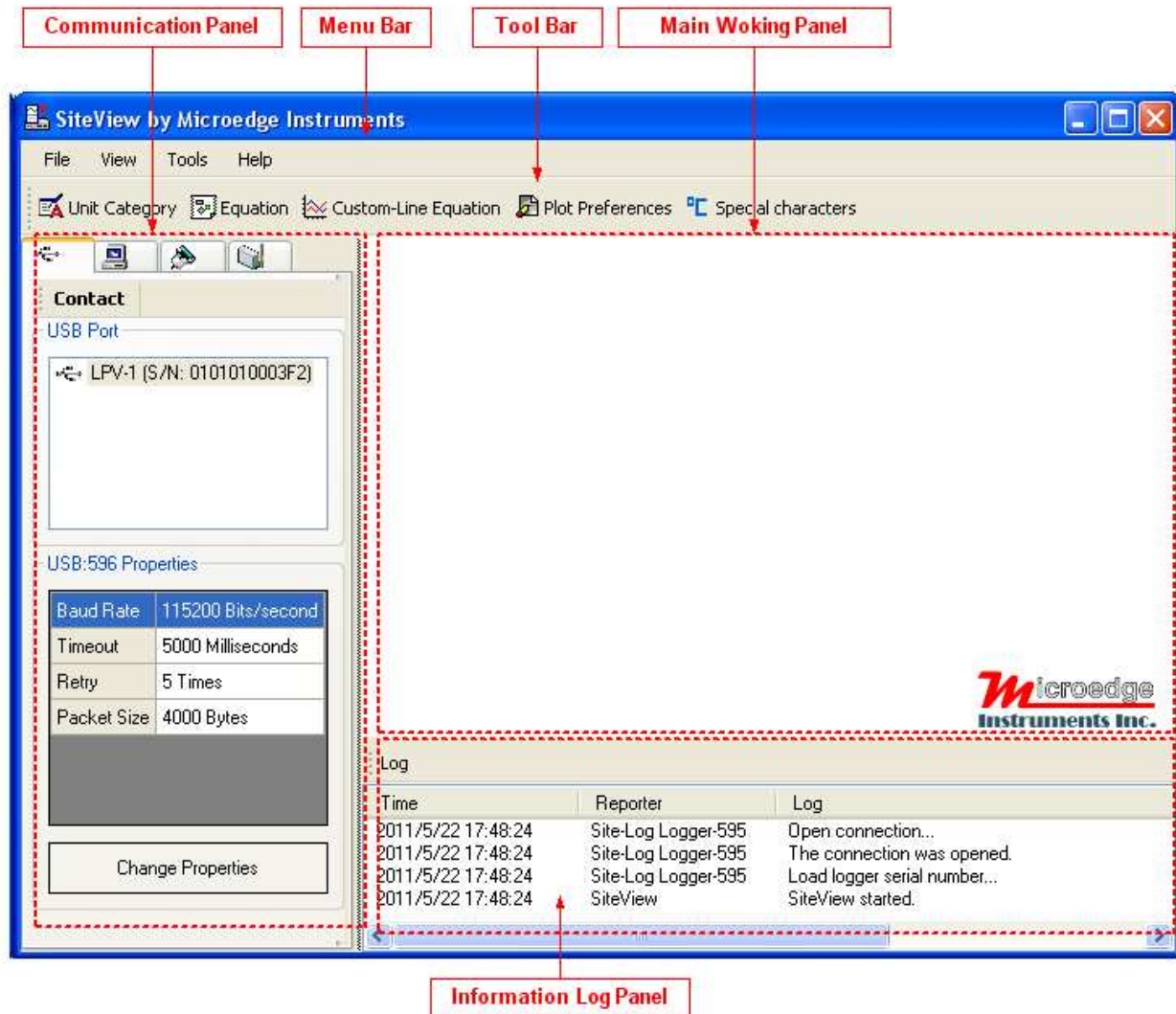


Enter the Product Key, then click the **Activate** button. If the Product Key is accepted the following confirmation dialog will appear:



Click **OK** button to finish the activation. From now you can start using SiteView.

Main Window Frame



Communication Panel

The communication Panel contains USB, USB Device Server, Serial Port and Serial Device Server communication tabs that are used to deal with the respective physical logger connections to the computer. For instance, if the logger is connected to the computer via a USB port you need to use USB tab to communicate with the logger.

Menu Bar

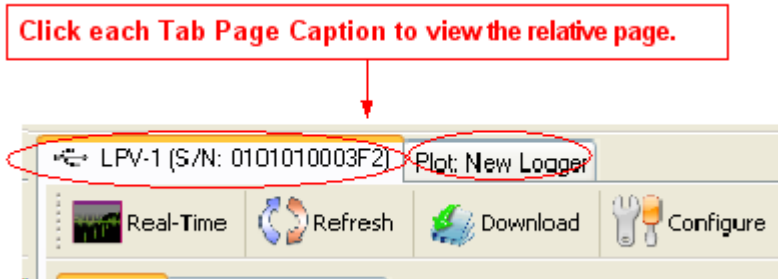
The Menu Bar contains File, View, Tools, and Help menus and their respective sub menus that are used to complete various tasks.

Tool Bar

The Tool Bar provides an easy way to access the menu items by including some of the frequently used items on the tool bar as the tool bar buttons.

Main Working Panel

The Main Working Panel contains a series Tab pages for logger status and the graph information illustrated as the follows:



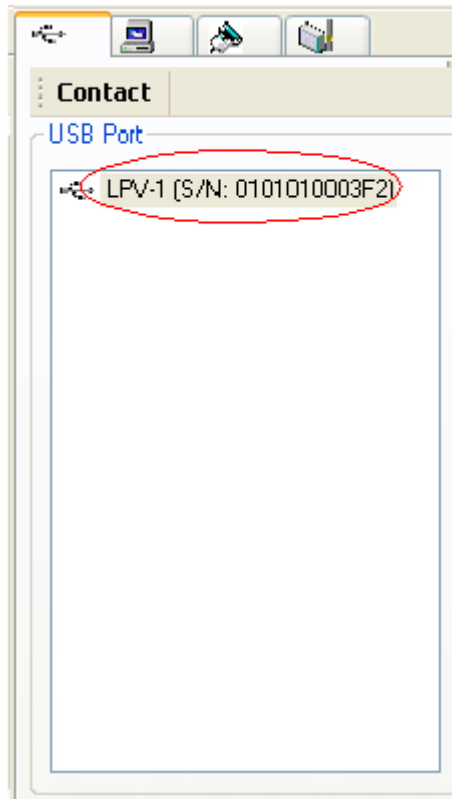
Information Log Panel

This section shows the information logs for any activities SiteView does. This is for diagnostics and information purposes.

View Logger Status

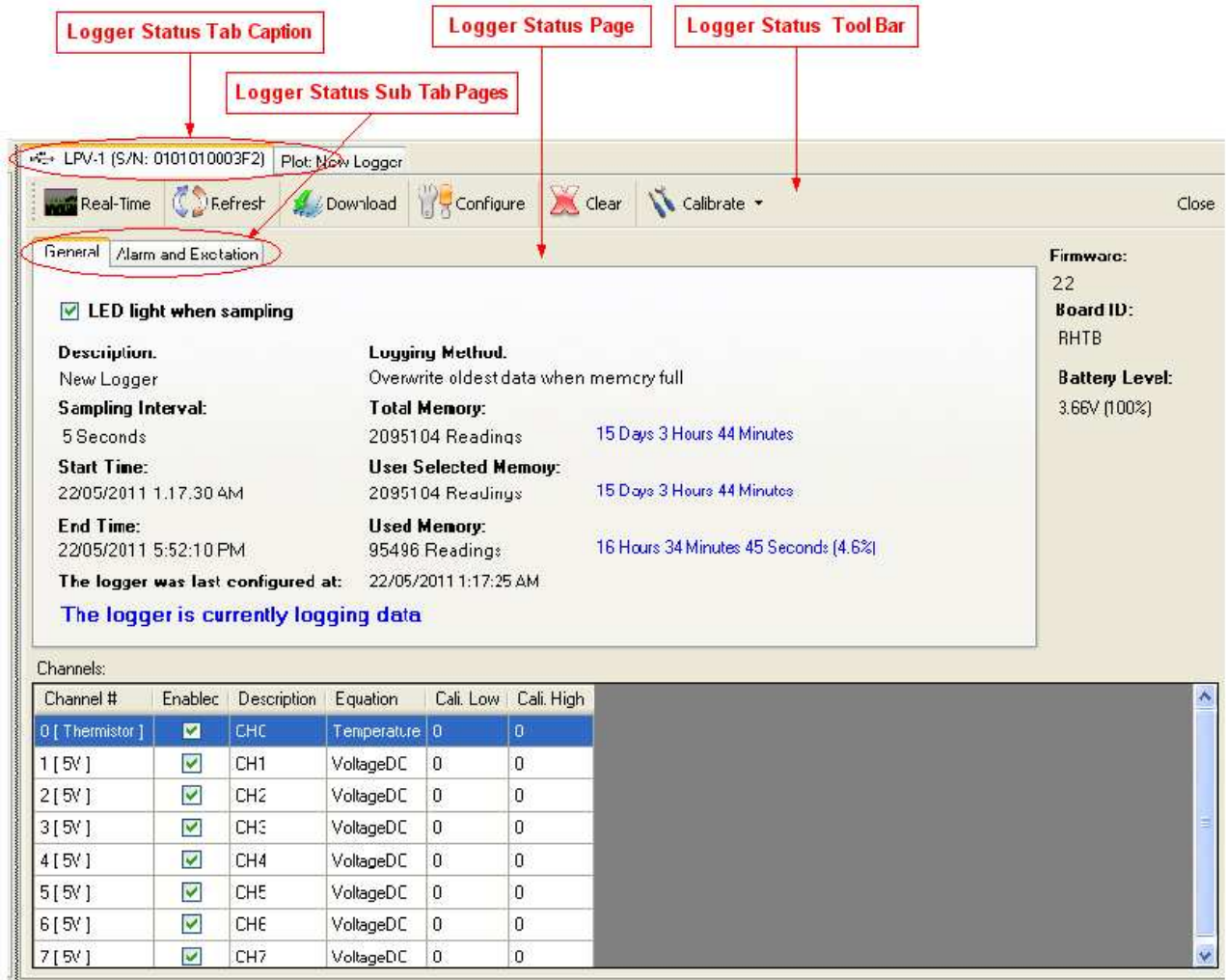
This manual will use USB as an example of communications interface. For other communications interfaces please refer to **SiteView User's Manual** available for download online.

If the logger is connected to the computer correctly the logger icon should show in USB tab of the communication panel illustrated below:



Double clicking **Site-Log Logger** icon or clicking “Contact” button with the icon been highlighted will bring up the logger status page.

The status page shows the start and end time, sampling interval and other properties of the connected logger:



General

This sub tab page displays the general properties of the logger.

Alarm & Excitation

This sub tab page displays the properties regarding the alarm and excitation. By clicking the “Alarm & Excitation” tab page caption, the following page will appear:

General Alarm and Excitation

Alarm Excitation Selection:
High alarm to A2/E, low alarm to A1

Excitation Warm-up Delay:
Keep on

Alarm-On Delay: 1 Minute **Alarm-Off Delay:** 1 Minute

Alarm Sent-out Selection:
Disable alarm send out

Dial-out Number:

Temperature for Compensation: 25°C

Logger in High Alarm Delay State

Channel Alarm Settings:

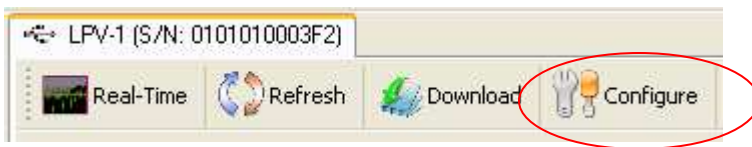
Channel #	Enabled	Low Alarm	High Alarm	Unit
0	<input checked="" type="checkbox"/>	21.00	23.00	°C
1	<input type="checkbox"/>	0.00	5488.59	mV
2	<input type="checkbox"/>	0.00	2201.88	mV
3	<input type="checkbox"/>	0.00	2204.44	mV
4	<input type="checkbox"/>	0.00	2181.43	mV
5	<input type="checkbox"/>	0.00	2215.61	mV
6	<input type="checkbox"/>	0.00	2203.49	mV
7	<input type="checkbox"/>	0.00	2203.28	mV

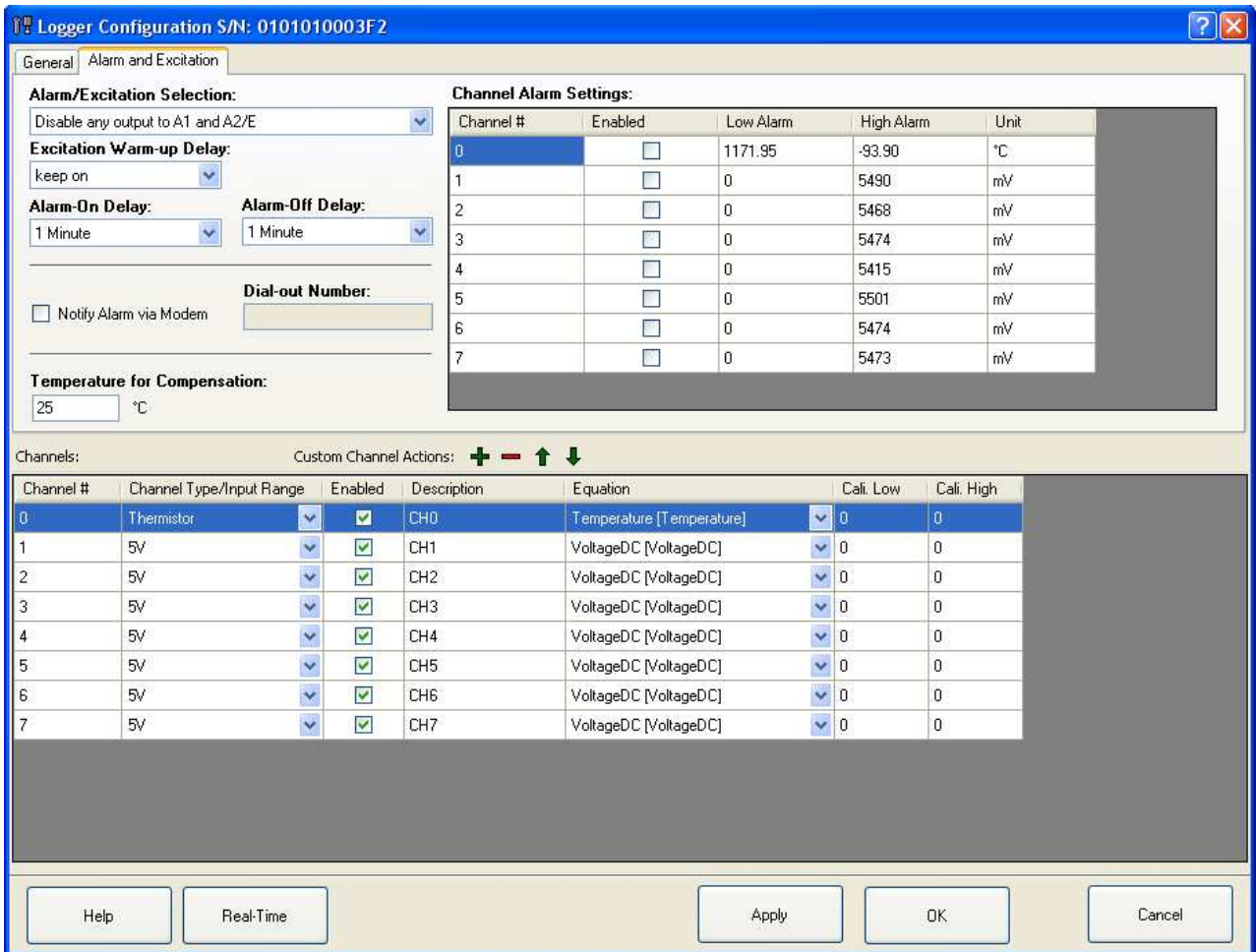
Through the tool bar buttons you can act on other tasks described in the following chapters.

Configure Logger

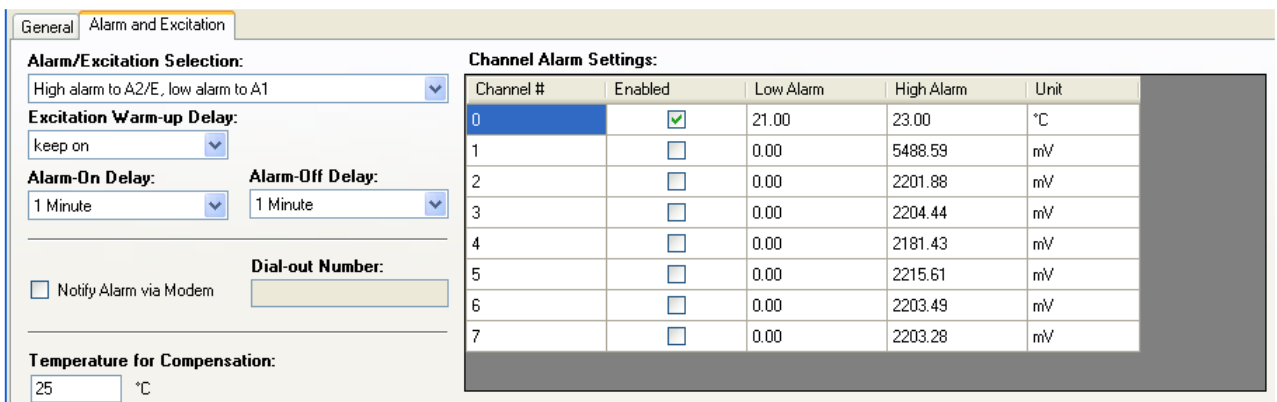
Configuration of the logger is a procedure to edit the properties of the logger and to start the new logging session.

If you are already in the logger status panel, clicking on the **Configure** button will bring up the configuration dialog window:





There are two tab pages in this dialog. The **General** page is displayed in the above screen shot. If you click **Alarm & Excitation** tab the following page will appear:



The following fields are for editing:

Description:

Description specifies the information about the logging session with a maximum of 30 characters. It will be the default Title section of the plot in the plot view.

Sampling Interval:

This field specifies the time span the logger will wait between two measurements sampling. Valid settings are:

Sampling Interval for Fast Sampling Mode	Sampling Interval for Normal Sampling Mode
20, 30,...90 milliseconds	5 seconds to 9 seconds in 1-second increment
100, 200,... 900 milliseconds	10 seconds to 50 seconds in 10-second increment
1, 2,3,4 seconds	1 minute to 59 minutes with 1-minute increment
	1 hour to 12 hour with 1-hour increment

If the sampling interval is four seconds or faster the logger must be powered by an external power supply during the logging period.

Making changes to the Sampling Interval will affect Total Time Span fields.

On-Board LED

Check this field to enable the on-board status LED. If the LED is enabled it will flash each time when it samples data to indicate:

1. The logging is active if the LED flashes in green.
2. The logger is in alarm state if the LED flashes in red.
3. The battery will die soon if the LED flashes in amber.

If you do not need LED indication, you can uncheck this field to increase the battery life.

When Memory Full

If you want the logger to stop logging when the memory is full select **Stop logging**. If you want the logger to continue logging and overwrite the oldest data with the new data (FIFO), you choose **Continue logging**.

Time to Start & Time to End

These two fields specify the desired time the logger will start logging data and the time to stop logging data.

Making changes to the Time to Start/End will affect Total Time Span fields mentioned later.

If you have selected the **Continue logging** field, when the memory is full, both start time and end time will move forward accordingly.

Total Time Span

These fields are an alternate way to specify the total logging time from the start time you specified above.

Changes made on these fields will affect **Time to End** field.

Channel Settings:

Enabled

Check this field to enable this channel for logging.

Channel Range

This field specifies the measurement range the channel will use. Different channel types have different input range selections. Please refer to **Channels and Sensor Connections** chapter for details.

Description

This field specifies the name or the description of the channel (maximum of 30 characters).

Equation

This field specifies the equation used for the channel. Different channel ranges have different default equations. Please refer to **Channels and Sensor Connections** chapter for details.

In order to convert a process signal to a correct measurement value an equation must be applied to the channel.

For example, if you want to use the 0 – 5 VDC channel to record a battery voltage output, the logger will first convert the battery voltage values to digital values and save them in the memory. Later when all data are downloaded to a computer, SiteView will use equation “VoltageDC” to convert the digital values back to voltage values.

If you are recording the voltage output of a transducer or transmitter and the range of the voltage refers to another measurement unit, you will need to create your own equation for this conversion. For instance, if your CO2 transducer outputs 0 – 5VDC representing 0 – 5000PPM of CO2, the custom equation you need to create looks like this:

```
public double CO2Equation(double Input)
{
    double output;
    output = 5000 * Input / 5 ;
    return output;
}
```

For detailed instructions on how to create a custom equation please refer to the **SiteView User’s Manual** available for download online.

Cali. Low & Cali. High

These two fields specify the custom calibration values that are used for measurement adjustment.

Cali. Low value specifies the digital value that is over zero when the input value is in the low range value (for 0 – 5 VDC channel the low range is zero volt). The equation will subtract this value from the original digital value when doing the conversion.

Cali. High value specifies the digital value that is over 65535 when the input value is in the high range value (for 0 – 5VDC channel the high range is 5 volt). The equation will subtract this value from the original digital value when doing the conversion.

The valid range for these two parameters is from –32768 to 32767.

These two parameters for each channel were originally set to zero when the logger was first released.

If you have finished the **Cali. Low** and **Cali. High** calibration instructed in the later chapter, the “Cali. Low” and “Cali. High” values may be readjusted.

Custom Channels:

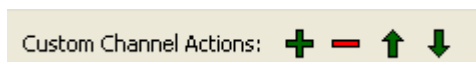
A custom channel is a virtual channel that SiteView can add to a data logger. Because there is no physical measurement source for custom channel, the logger can not save a custom channel’s data in the logger’s memory. Instead, the custom channel’s data is calculated in SiteView.

A custom channel is useful when you need a new measurement in addition to the measurements of existing physical channels and the new measurement relates to those existing channels.

For example, if a logger has one temperature channel and one relative humidity channel, and you want to calculate the dew point from the temperature and the relative humidity measurements, a custom channel can be added to the logger for the new dew point measurement.

You can add a maximum of eight custom channels to a logger.

The following tool bar buttons are used to manage the custom channels of the logger.



Click to add a custom channel.



Click to remove a selected custom channel.



Click to move up a selected custom channel.



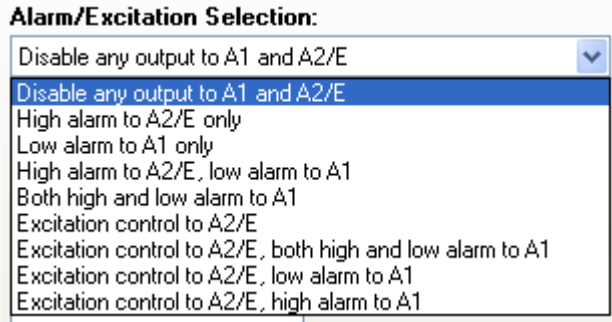
Click to move down a selected custom channel.

Alarm and Excitation:

Alarm/Excitation Selection

This field specifies how Alarm1 and A2/E terminals are being controlled by alarm state and/or excitation settings. Available settings are:

Alarm/Excitation Selection:



A dropdown menu with the following options:

- Disable any output to A1 and A2/E
- Disable any output to A1 and A2/E
- High alarm to A2/E only
- Low alarm to A1 only
- High alarm to A2/E, low alarm to A1
- Both high and low alarm to A1
- Excitation control to A2/E
- Excitation control to A2/E, both high and low alarm to A1
- Excitation control to A2/E, low alarm to A1
- Excitation control to A2/E, high alarm to A1

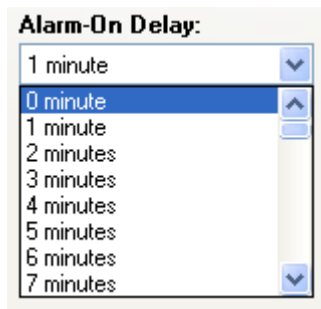
Notify Alarm via Modem

This field specifies if the alarm notification is been sent out via Modem when in alarm state.

Alarm-On Delay

This field specifies a time delay before sending out alarm notification if there is an alarm. This applies to both terminal strips and the dial-out command which is sent out via communications port.

Alarm-On Delay:



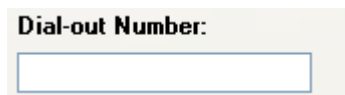
A dropdown menu with the following options:

- 1 minute
- 0 minute
- 1 minute
- 2 minutes
- 3 minutes
- 4 minutes
- 5 minutes
- 6 minutes
- 7 minutes

Dial-out Number

This field specifies the telephone number to dial out if **Notify Alarm via Modem** is checked.

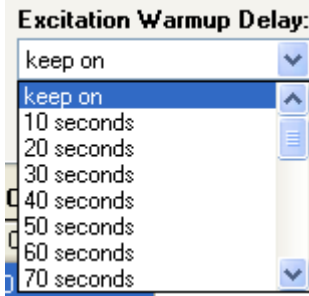
Dial-out Number:



A text input field for entering a telephone number.

Excitation Warm-up Delay

This field specifies how much delay will be put after the excitation terminal is activated and before the logger is taking the sample.



Channel Alarm Settings

This table specifies how each channel controls alarm state by:

Alarm Enabled: Check this field to associate this channel to the alarm state.

Low & High Alarm: These fields define the alarm thresholds. If the reading is beyond these thresholds, the alarm is triggered.

Channel Alarm Settings:

CH#	Alarm Enabled	Low Alarm	High Alarm	Unit
0	<input checked="" type="checkbox"/>	-134.09	110.50	°C
1	<input checked="" type="checkbox"/>	-353.3989	20568.2460	mV
2	<input checked="" type="checkbox"/>	-8.5205	10.0501	mV
3	<input checked="" type="checkbox"/>	0.0000	0.0000	mV
4	<input checked="" type="checkbox"/>	0.0000	0.0000	mV
5	<input checked="" type="checkbox"/>	0.0000	0.0000	mV
6	<input checked="" type="checkbox"/>	0.0000	0.0000	mV
7	<input checked="" type="checkbox"/>	0.0000	0.0000	mV

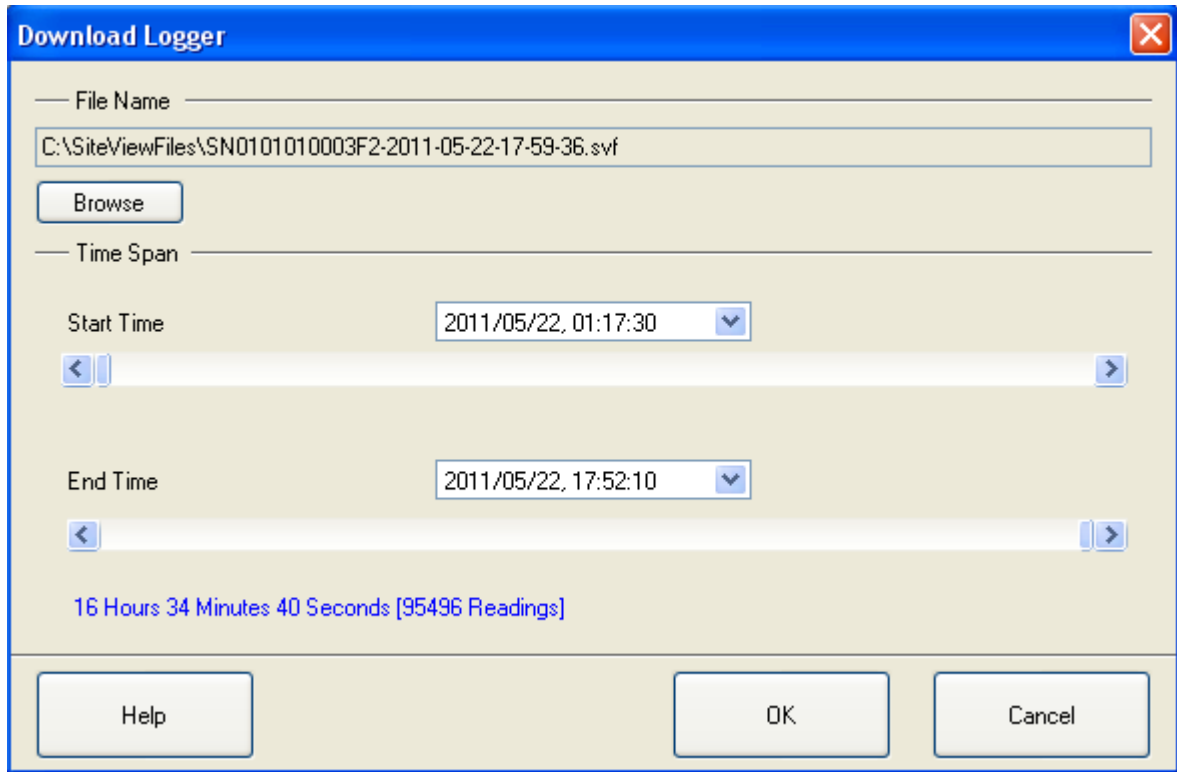
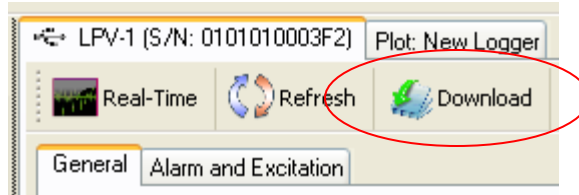
Once you have finished making changes to the available settings, you can click **OK** button to save the settings to the logger. The logger will start to record data from **Time to Start** you have set.

Note: clicking on OK or Apply buttons will erase all existing measurements saved in the logger.

For a detailed description of each available setting please refer to the **SiteView User's Manual** available for download online.

Download Logger

If you are already in logger status tab, clicking on “Download” button will bring up **Download** dialog window:



The fields that you can edit are:

Filename & Browse

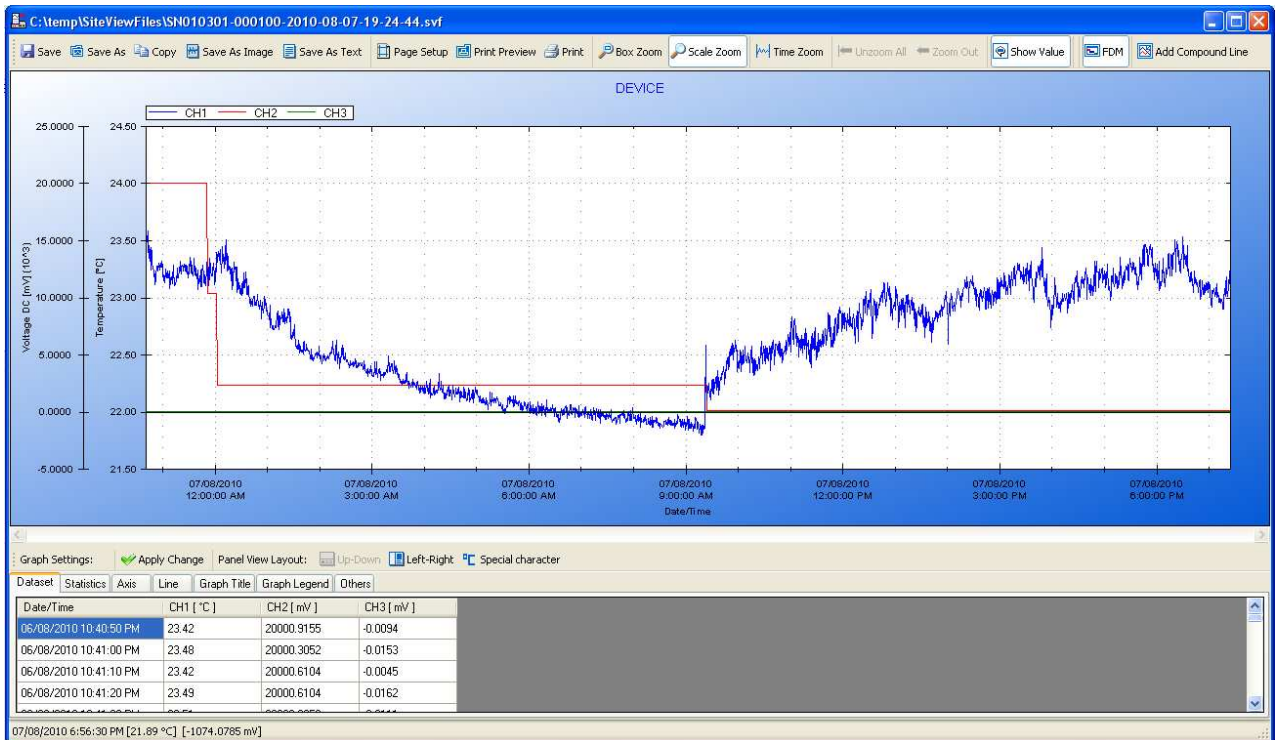
These fields specify the full file path the downloaded data will be saved into. Clicking on **Browse** button will display **File Save** dialog where you can edit or choose a file name.

Start Time & End Time

These fields specify the desired start and end time for the data to be downloaded. You can use either scroll bars or the calendar controls to change the start and end time.

Once you have selected a desired time frame you can click **OK** button to start the download process.

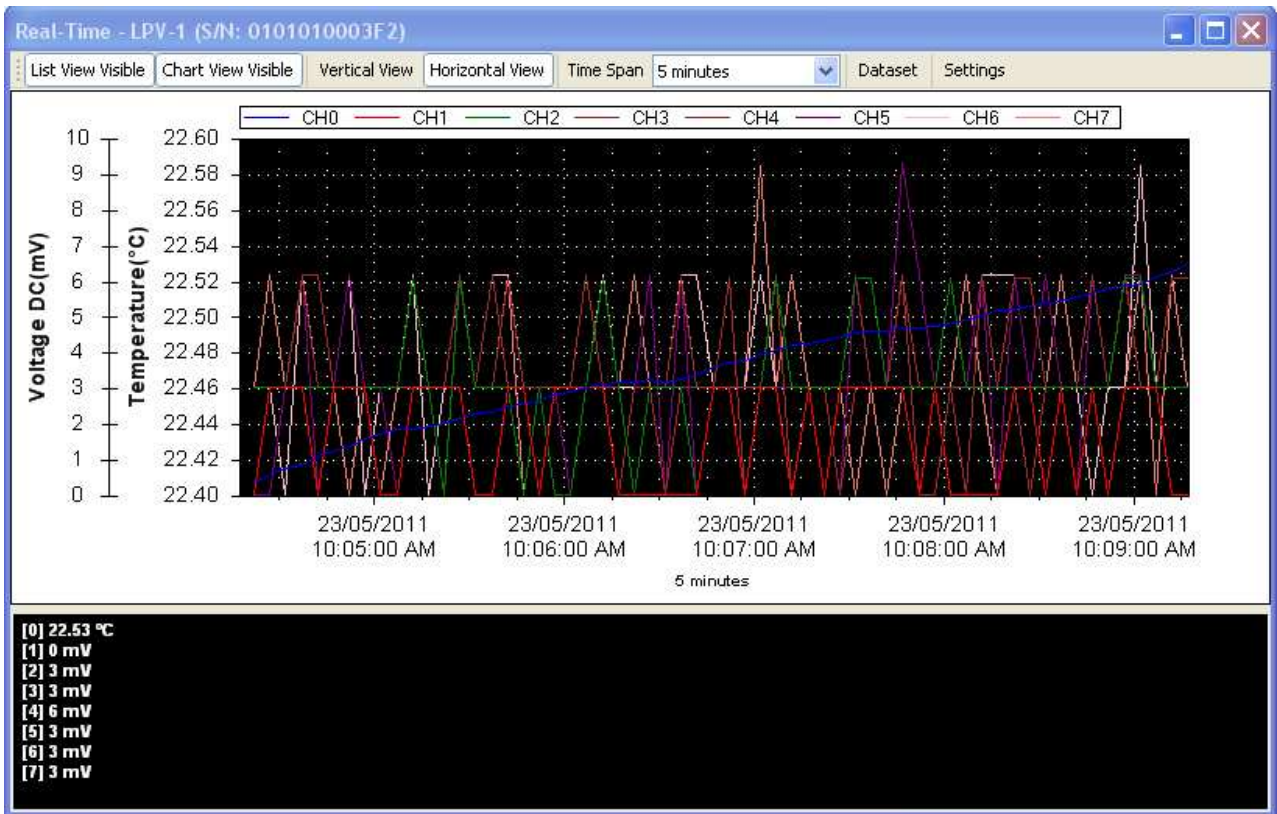
After the download the plot and tabular data will be displayed (If **Display plot after download** was not checked the plot will not display):



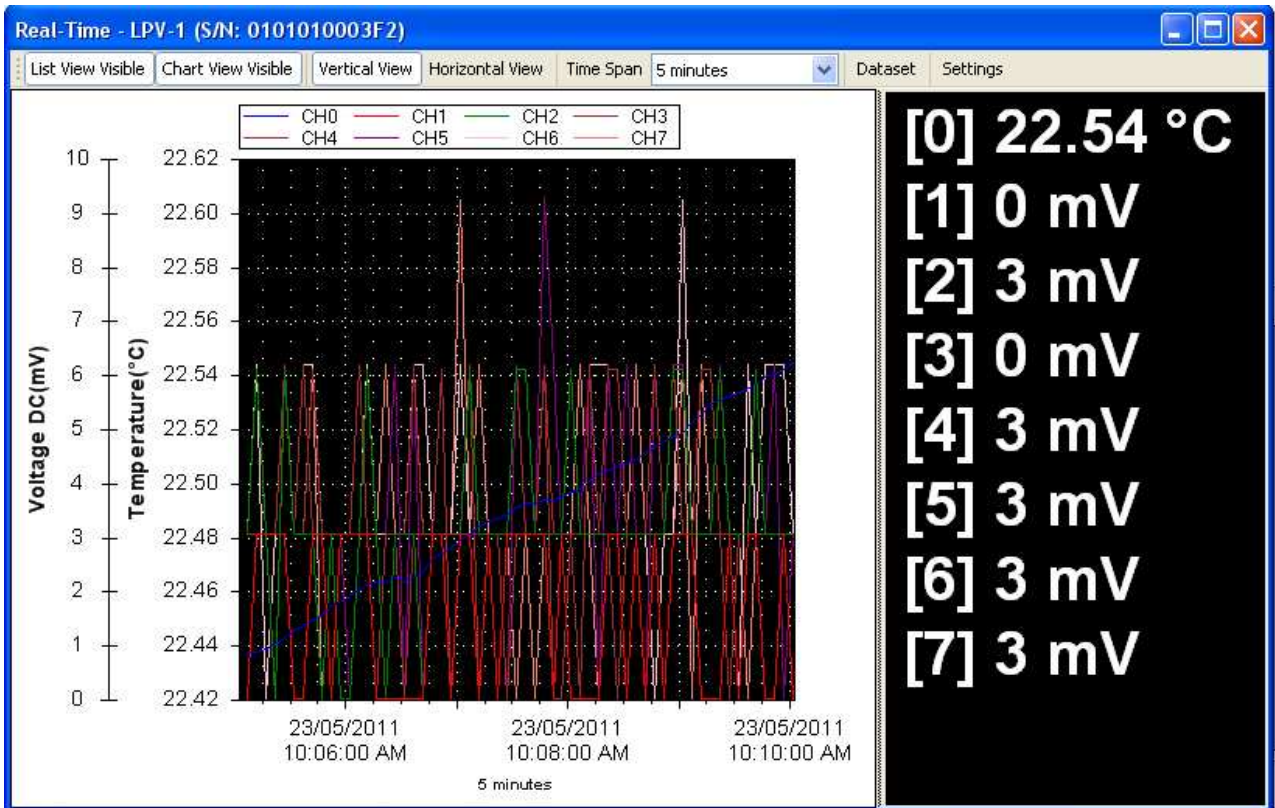
Real-Time Display

If the logger is in normal sampling mode (sampling interval is 5 seconds or longer), SiteView can view the real-time measurements while the logger is still logging data. The real-time display shows the list of the latest channel real-time measurements, as well as the trend chart of all channel real-time measurements for the past given period of time from the current time.

To open real-time view, if the logger has been contacted and the status of the logger is displayed, click on **Real-Time** tool bar button. The following real-time dialog appears:



Real-Time in Horizontal View



Real-Time In Vertical View

Tool bar buttons:

List View Visible

Click to show/hide the list view panel.

Chart View Visible

Click to show/hide the chart view panel.

Vertical View

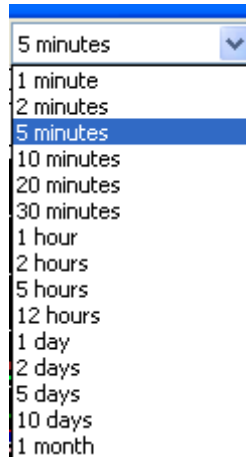
Click to display the chart and list views vertically.

Horizontal View

Click to display the chart and list views horizontally.

Time Span

This field allows changing the time span for the chart view. Available settings are:



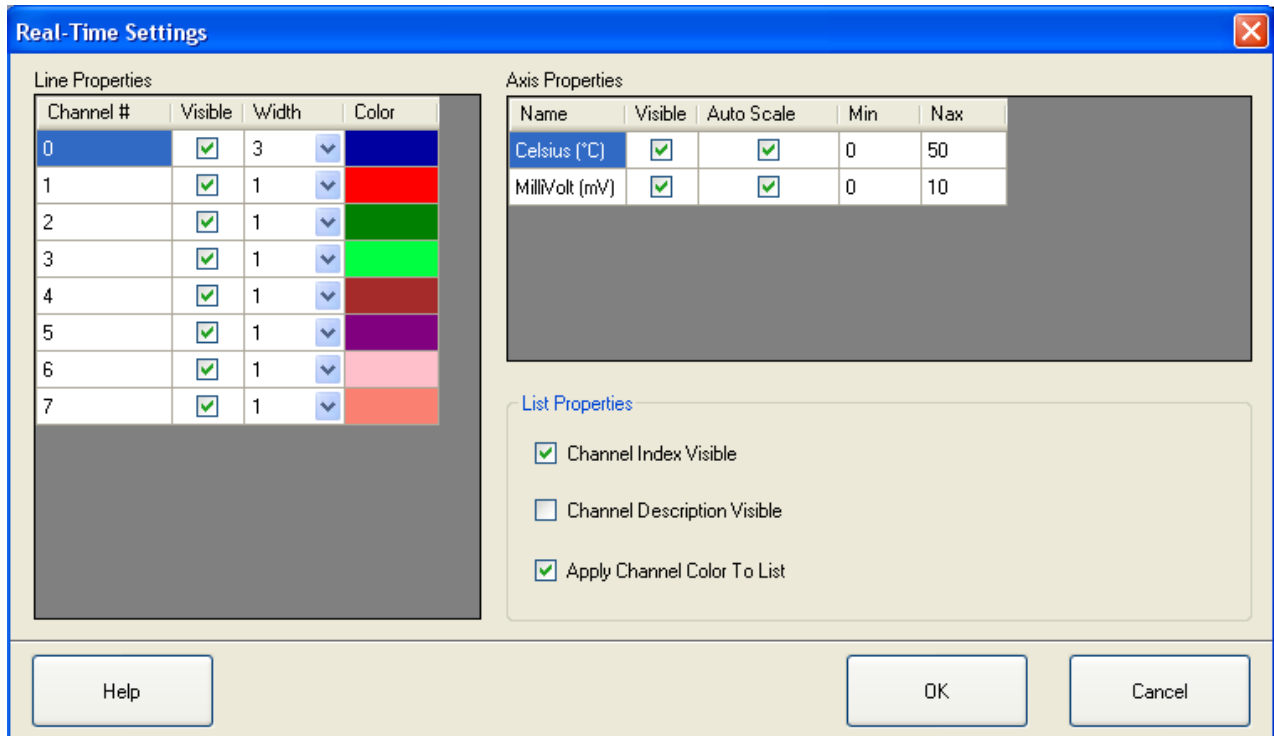
Dataset

Click to display the tabular view of the recorded measurements illustrated below:

Time	CH1 (°C)	CH2 (mV)	CH3 (mV)	CH4 (mV)	CH5 (mV)	CH6 (mV)	CH7 (mV)	CH8 (mV)
21/08/2010 9:57:45 PM	23.94	76.9055	76.9055	76.9055	76.9055	77.2107	77.2107	77.5158
21/08/2010 9:57:50 PM	23.93	76.2951	76.6003	76.2951	76.6003	76.6003	76.9055	76.9055
21/08/2010 9:57:55 PM	23.91	76.6003	76.6003	76.6003	76.6003	76.9055	77.5158	76.9055
21/08/2010 9:58:00 PM	23.90	76.6003	76.9055	76.2951	77.2107	77.2107	77.2107	77.2107
21/08/2010 9:58:05 PM	23.91	76.6003	76.6003	76.9055	77.2107	76.6003	75.9899	76.2951
21/08/2010 9:58:10 PM	23.92	76.9055	76.9055	77.2107	76.6003	76.9055	76.6003	76.9055
21/08/2010 9:58:15 PM	23.94	76.6003	76.2951	77.2107	77.2107	76.9055	76.6003	76.9055
21/08/2010 9:58:20 PM	23.93	77.2107	76.2951	76.2951	76.9055	76.9055	77.2107	77.2107
21/08/2010 9:58:25 PM	23.94	76.6003	76.2951	76.6003	77.2107	76.9055	76.9055	76.2951
21/08/2010 9:58:30 PM	23.94	76.2951	76.6003	76.9055	77.2107	77.5158	76.9055	77.2107
21/08/2010 9:58:35 PM	23.94	76.6003	76.2951	76.9055	76.9055	76.9055	76.6003	76.9055

Settings

Click to display more properties illustrated below:



For detailed instructions on how to change real-time view settings please refer to **SiteView Instruction Manual** available for download online.

Calibrate a Channel

SiteView software provides two-point calibration for most of the loggers.

Understand Cali. Low & Cali. High

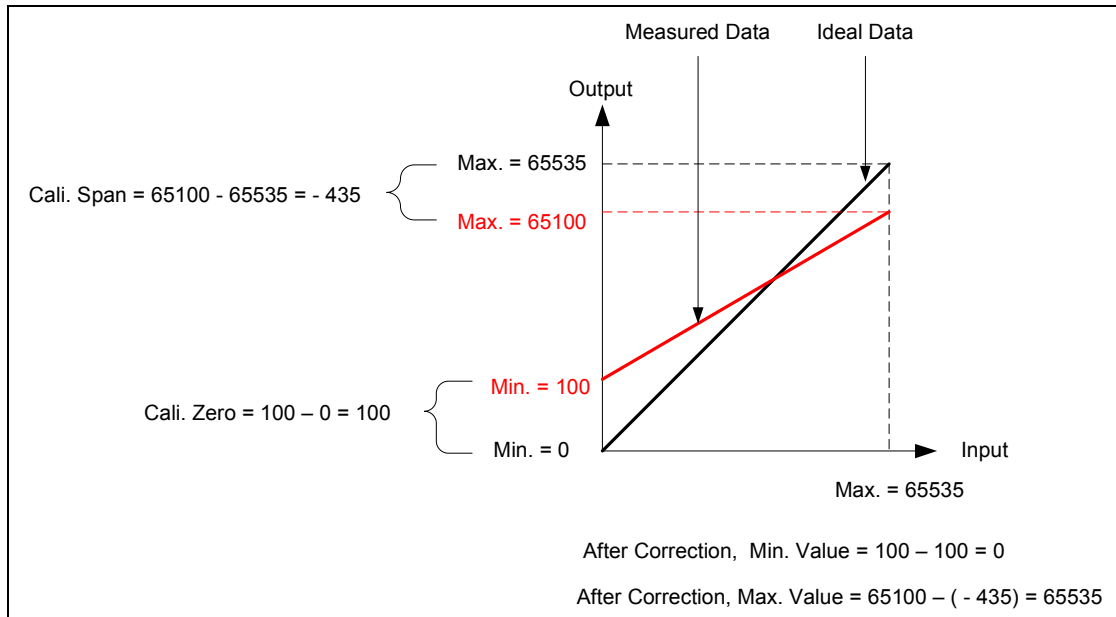
In the logger status page, there are two properties for each listed channel called **Cali. Low** and **Cali. High**. These two fields specify the calibration values that are used for measurement adjustment.

Cali. Low value specifies the digital value that is over zero when the input value is the lowest value (for 0 – 5 VDC channel the lowest value is zero volt). For instance, if you apply zero volt input and the logger measured 100 as the digital value, then **Cali. Low** should be 100 digits. The equation entity will subtract this value when resolving the correct lowest digital value.

Cali. High value specifies the digital value that is over 65535 when the input value is the highest value (for 0 – 5VDC channel the high range is 5 volt). For instance, if you apply 5 volt voltage to the channel and the logger measured 65100 as the digital value. Then **Cali. High** is “- 435” (calculated from 65100 – 65535). The equation entity will subtract this value (-435) from the digital value when resolving the highest digital value.

The valid range for these two parameters is from –32768 to 32767.

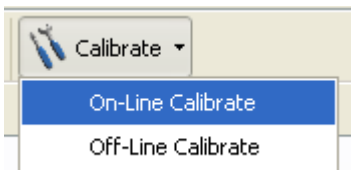
The following figure illustrates the relationship between an ideal data line and a measured data line and how **Cali. Low** and **Cali. High** correct the measured data line.



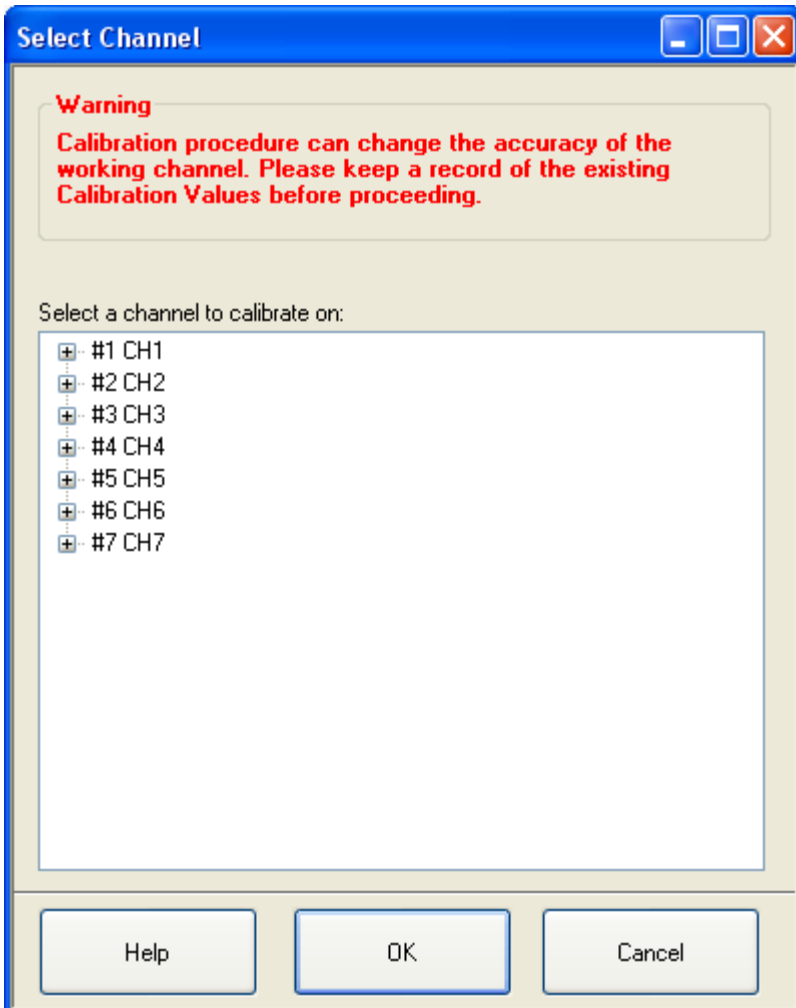
Decide On-Line or Off-Line Calibration

If the source signal like voltage or current can be connected to the logger while the logger is connecting to the computer, you can calibrate the logger on-line. If the source signal like a temperature or relative humidity is not available for on-line calibration, you can calibrate the logger off-line after the logger has recorded the low and high point data.

You access On-Line / Off-Line Calibration via Calibrate button on the logger status tool bar.



The following dialog appears:



Select the channel you want to calibrate on and click **OK** button. The calibration dialogs appear as follows:



Step 1: Low Point Calibration

Based on the equation the channel is using, the range of the channel is:

Millivolt(mV) To Millivolt(mV)

Please type in the low point value of the source input that is connected to the channel:

Input Low Reference Value

Millivolt(mV)

Click "Start Calibration" button to start the calibration. When you see the current reading is stable you can click "Stop Calibration" button to stop this procedure.

Current Reading Millivolt(mV)

Click "Next >>" button to proceed for High Point Calibration.

Channel Calibration Wizard - Channel:1 ✖

Step 2: High Point Calibration

Based on the equation the channel is using, the input range of the channel is:

MillVolt(mV) To MillVolt(mV)

Please type in the high point value of the source input that is connected to the channel:

Input High Reference Value

MillVolt(mV)

Click "Start Calibration" button to start the calibration. When you see the current reading is stable you can click "Stop Calibration" button to stop this procedure.

 Current Reading MillVolt(mV)

Click "Next >>" button to proceed for the result.

Channel Calibration Wizard - Channel:1

Step 3: Calibration Result

Given Parameters:

Channel Range MillVolt(mV) To MillVolt(mV)

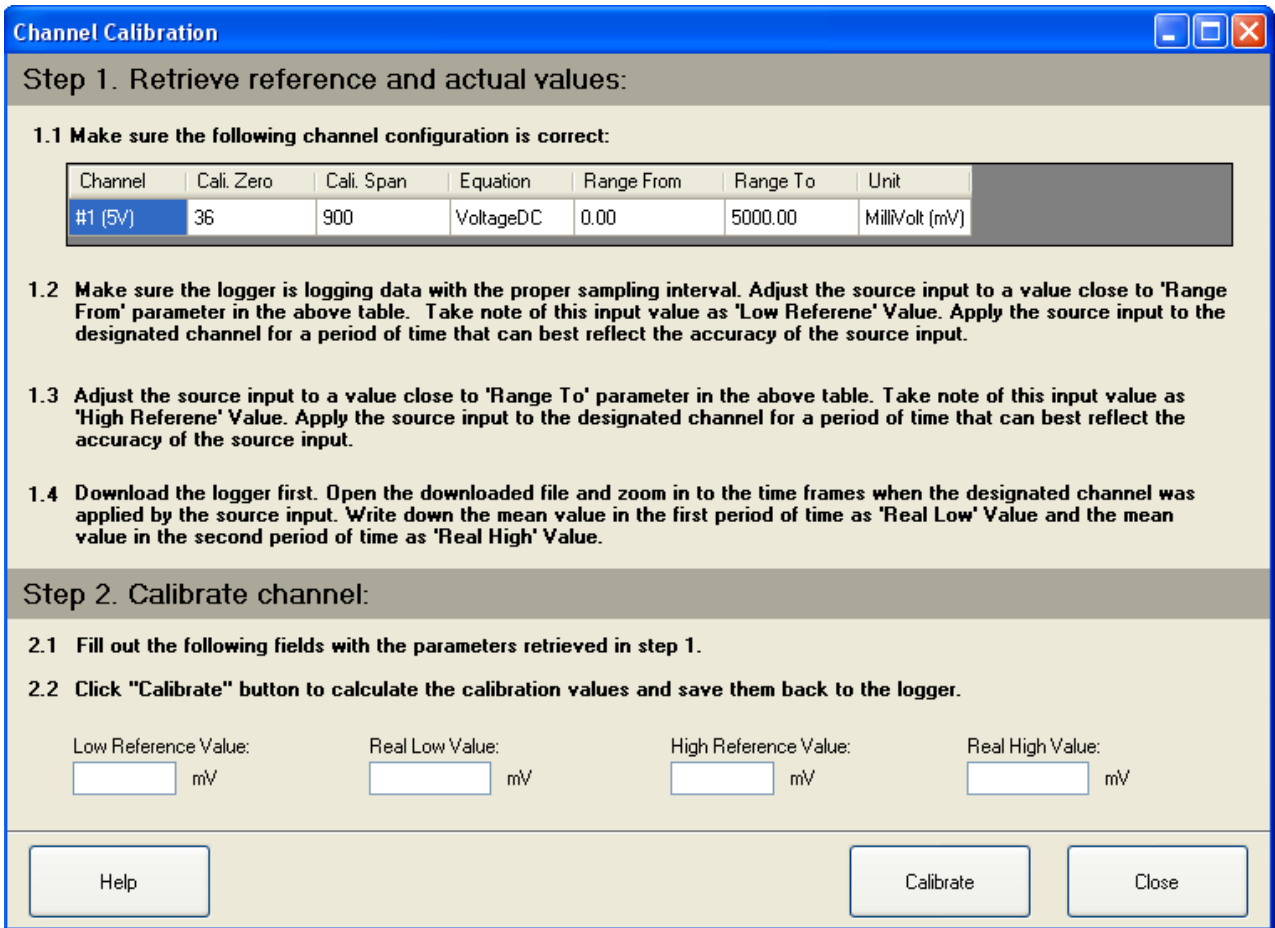
Input Low Reference Value MillVolt(mV) Input High Reference Value MillVolt(mV)

Calculated Parameters

Measured Input Low Digit Measured Input High Digit

Calibration Low Value **Calibration High Value**

The above dialogs are for On-Line Calibration.



The above dialog is for Off-Line Calibration.

Please refer to **Calibrate Logger** chapter in **SiteView User's Manual** for details.

Alarm Center

Alarm Center handles alarm retrieving and notifications with either directly connected loggers via USB or serial port, or remotely connected loggers via Modem (dial-up connection).

If a data logger is connected to the computer via either USB or serial port, Alarm Center contacts the data logger periodically to retrieve the alarm condition and decide if an alarm notification should be sent out.

If a data logger is connected to a remote Modem, the data logger will dial out to the Modem that is connected to the computer if there is an alarm. Alarm Center receives the alarm condition and decides if an alarm notification should be sent out.

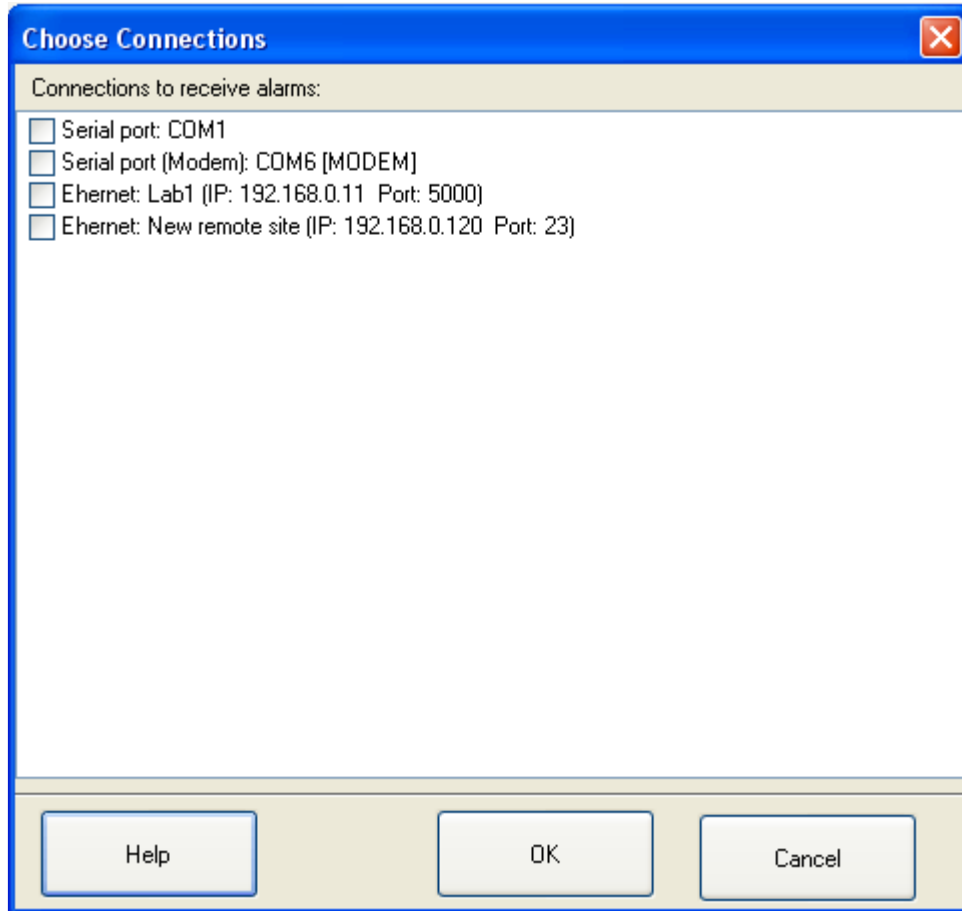
An alarm notification can be one or both of the following actions:

1. Running of a pre-selected program or playing of a mp3 music.

2. Sending out an email to preset recipients.

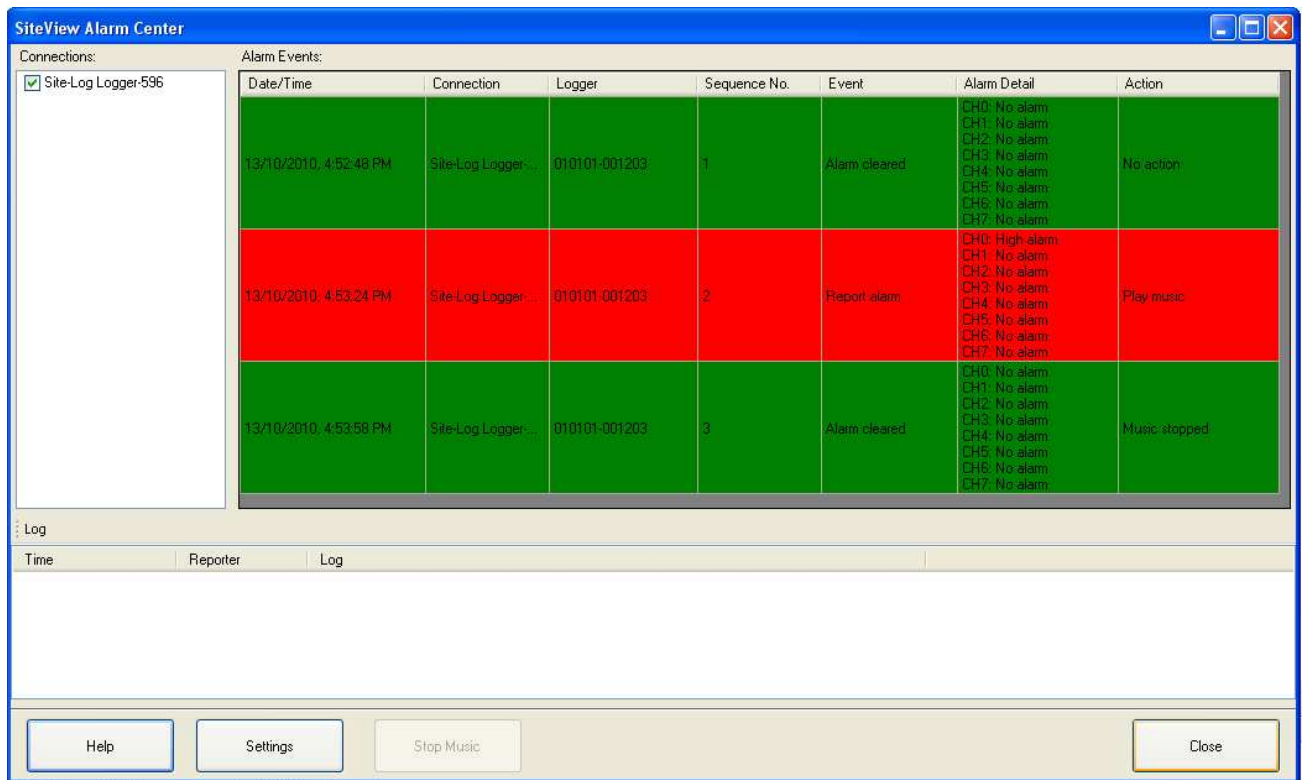
To open **Alarm Centre**, you click on **Alarm Centre** menu item under **Tools** menu.

The following **Choose Connections** dialog appears. You need to select one ore more connections that will be used to communicate with the connected loggers.



If you have selected one or more connections and clicked OK button, the system will check if the loggers are connected to the computer for the non-Modem connections.

Upon the success, the Alarm Center dialog will appear.



If there is an alarm, a red-color row will be added to the Alarm Event List and the further action will be taken based on the settings you have already configured.

You may change the settings by clicking **Settings** button.

Please refer to **Receive Alarm Notifications** chapter in **SiteView User's Manual** for detailed instructions on how to prepare for receiving alarm notifications.

6. Specifications

Common Specifications

Alarm	
Channel Alarms	Two editable alarm thresholds per channel. Alarm controls Alarm1, A2/EXT outputs and send out over comm. interface.
Alarm Outputs	Alarm1 & A2/EXT can be configured as alarm outputs. Alarm-On: MOSFET(N-Channel) switch on Alarm-Off: MOSFET(N-Channel) switch off Max Power: 200mA @ 24VDC. With purchase of SiteView software, Site-Log can report alarm status to host PC via USB, Modem or Ethernet Device Server.
Alarm-On Delay	Programmable 0 - 10 minutes delay with 1-minute increment.
Alarm Indicator	On-board LED lights in red when in alarm state.
On-board Memory	
Capacity	4 Mega-bytes (2 Mega measurements)
Data Retention	Over 20 years
Sampling & Logging	
Sampling Interval	1 second to 12 hours for model LRHT-1/2, user selectable. 20 milliseconds ^[1] to 12 hours for other models, user selectable.
Logging Mode	Stop recording or FIFO when memory is full.
Logging Activation	Programmable instant, start delay or field push button activation.
Communications	
Interface	USB (Mini-USB-B) (USB-A-mini USB-B Cable included) AUX(RJ11) for direct TTL level communications With purchase of DeviceServer, Site-Log can be connected to Ethernet for remote access.
Baud Rate	Auto-detect baud rate from 2400 to 115200 bps on both USB and AUX.
Battery	
Power	Built-in 3.6V Lithium Battery.
Life Cycle	5 years for model LRHT-1/2 on 1 minute sampling interval. 10 years for other models based on 1 minute sampling interval.
Software	
SiteView ^[2]	Configuration, downloading, scheduled downloading, plotting, real-time plotting, custom calibration and custom equation
Software Requirements	Computer with 1.0 GHZ or faster processor 256 MB Memory or higher 1.0 GB of available hard-drive space or higher Windows XP with SP2 or later, Vista, Window 7 At least one USB port or one COM port.

Physical	
Material	Aluminum Enclosure.
PCB Treatment	Conformal coating
Dimension	88 X 64.2 X 24 mm 3.46 X 2.53 X 0.95 Inches
Weight	150g
Mounting	Probe/wall-mount holes for hanging/mounting.
Others	
LED Indicator	Tri-Color LED: (can be disabled for power saving) Normal Sampling: green when sampling. Alarm: red when sampling. Low Battery: amber when sampling.
Excitation Control	A2/EXT terminal strip can be configured as excitation control output for driving the power of connected devices. Warm-up Interval settings: 10 to 240 seconds with 10-second increment.
Operating Environment	-40 ~ +70°C (-40 to + 158°F), 0 ~ 95 %RH non-condensing.
Clock Accuracy	+/- 1 minute per month
Approvals	CE, FCC

[1]: Maximum enabled channels: 1 for 20ms interval, 2 for 30ms, 8 for 40ms or bigger interval.

[2]: Sold separately.

Logging Capacity

Sampling Interval	Enabled Channel	Logging Capacity
1 minute	1	3.98 years
1 minute	2	727 days
1 minute	8	181 days
10 seconds	1	242 days
10 seconds	2	121 days
10 seconds	8	30 days

Sampling Interval	Enabled Channel	Logging Capacity
1 second	1	24 days
1 second	2	12 days
1 second	8	3 days
100 ms	1	58 hours
100 ms	2	29 hours
100 ms	8	7.2 hours