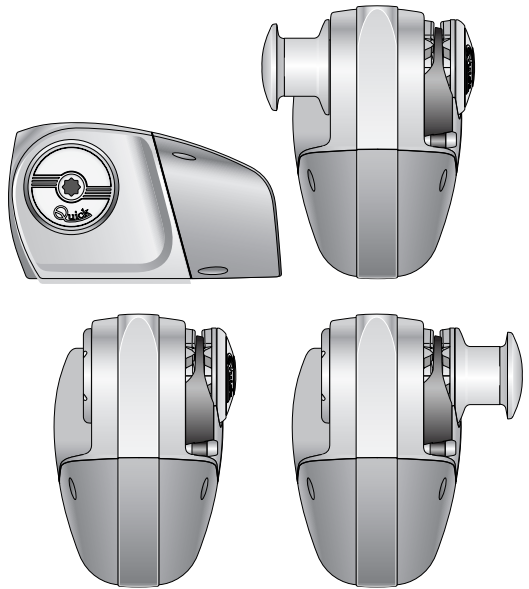


Quick®

nautical equipment evolution

HECTOR

HC 712
HC 712 D
HC 712 DB
HC 724
HC 724 D
HC 724 DB
HC 1012
HC 1012 D
HC 1012 DB
HC 1024
HC 1024 D
HC 1024 DB
HC 1512
HC 1512 D
HC 1512 DB
HC 1524
HC 1524 D
HC 1524 DB



- I** Manuale d'uso
- GB** User's Manual
- F** Manuel de l'utilisateur
- D** Benutzerhandbuch
- E** Manual del usuario

SALPA ANCORA ORIZZONTALI
HORIZONTAL WINDLASSES
GUINDEAUX HORIZONTAL
HORIZONTAL ANKERWINDEN
MOLINETE HORIZONTAL



I INDICE

Pag. 4	Caratteristiche tecniche	Pag. 7	Usò - Avvertenze importanti
Pag. 5	Installazione	Pag. 8/9	Manutenzione
Pag. 6	Schema di collegamento		

GB INDEX

Pag. 10	Technical data	Pag. 13	Usage - Warning
Pag. 11	Installation	Pag. 14/15	Maintenance
Pag. 12	Connection diagram		

F SOMMAIRE

Pag. 16	Caractéristiques techniques	Pag. 19	Utilisation - Avvertissements importants
Pag. 17	Installation	Pag. 20/21	Entretien
Pag. 18	Schema de câblage		

D INHALTSANGABE

SEITE 22	Technische Eigenschaften	SEITE 25	Gebrauch- Wichtige Hinweise
SEITE 23	Montage	SEITE 26/27	Wartung
SEITE 24	Anschlussplan		

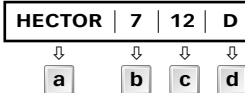
E INDICE

PÁG. 28	Características técnicas	PÁG. 31	Usò - Advertencias importantes
PÁG. 29	Instalación	PÁG. 32/33	Mantenimiento
PÁG. 30	Esquema de montaje		

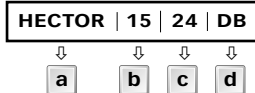


HOW TO IDENTIFY THE WINDLASS THROUGH THE CODE:

1° EXAMPLE: HECTOR712D



2° EXAMPLE: HECTOR1524DB

**a**

Name of the line:
[HECTOR] = horizontal on deck

b

Motor output:
[7] = 700 W
[10] = 1000 W
[15] = 1500 W

c

Motor supply voltage:
[12] = 12 V
[24] = 24 V

d

Drum:
[-] = without drum
[D] = with drum
[DB] = drum on gypsy

MODEL	HECTOR - HECTOR D - HECTOR DB					
	700 W		1000 W		1500 W	
MOTOR POWER						
Motor supply voltage	12 V	24 V	12 V	24 V	12 V	24 V
Maximum pull	1100 kg (2425 lb)		1300 kg (2860 lb)		1500 kg (3300 lb)	
Maximum working load	300 kg (661 lb)	370 kg (815 lb)	400 kg (860 lb)	490 kg (1080 lb)	450 kg (992 lb)	550 kg (1212,5 lb)
Working load	100 kg (220,5 lb)	125 kg (275,5 lb)	130 kg (286,5 lb)	160 kg (353 lb)	150 kg (331 lb)	185 kg (408 lb)
Current absorption @ working load ⁽¹⁾	90 A	50 A	140 A	80 A	150 A	85 A
Maximum chain speed ⁽²⁾	26,0 (85 ft/min)	29,2 (96 ft/min)	37,3 (122 ft/min)	39,6 (129 ft/min)	37,5 (123 ft/min)	40,0 (131 ft/min)
Maximum chain speed @ working load ⁽²⁾	14,0 (46 ft/min)	15,2 (50 ft/min)	17,8 (58,4 ft/min)	21,0 (69 ft/min)	17,8 (58,4 ft/min)	19,2 (63 ft/min)
Chain size ⁽³⁾	8 mm DIN 766 • 5/16" DIN 766 (6 mm DIN 766 - 10 mm DIN 766 • 10 mm ISO • 3/8")					
Rope size	12 mm • 14 mm • 16 mm • 1/2" • 9/16" • 5/8" (14 mm • 16 mm • 9/16" • 5/8")					
Motor cable size ⁽⁴⁾	25 mm ² (AWG3)	10 mm ² (AWG7)	35 mm ² (AWG2)	16 mm ² (AWG5)	50 mm ² (AWG0)	25 mm ² (AWG3)
Protection circuit breaker ⁽⁵⁾	60 A	40 A	80 A	50 A	100 A	50 A
Deck thickness ⁽⁶⁾	20 ÷ 60mm (25/32" ÷ 2" 11/32)					
Weight Hector -	22,6 Kg (50 lb)		23,9 kg (53 lb)		24,0 kg (53 lb)	
Weight Hector D	24,0 kg (53 lb)		25,3 kg (56 lb)		25,4 kg (56 lb)	
Weight Hector DB	25,2 kg (55 lb)		26,5 kg (58 lb)		26,6 kg (59 lb)	

⁽¹⁾ After an initial period of use.

⁽²⁾ Measurements taken with a gypsy for a 8 mm chain.

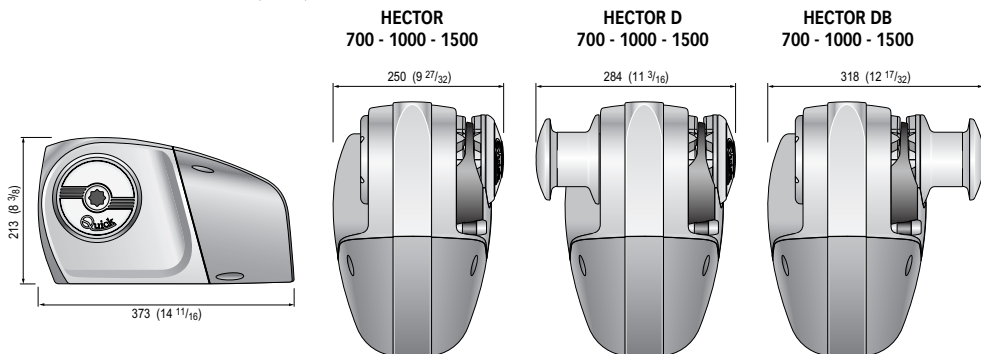
⁽³⁾ All models are supplied with a gypsy for a 8 mm chain as a standard part. On request, gypsies for the chains shown in the chart can be installed.

⁽⁴⁾ Minimum allowable value for a total length L = < 20m (see pag. 24). Determine the cable size according to the length of the wiring.

⁽⁵⁾ With circuit breaker designed for direct currents (DC) and delayed-action (thermal-magnetic or hydraulic-magnetic).

⁽⁶⁾ On request, studs can be supplied for greater deck thicknesses.


DIMENSIONS OF MODELS in mm (inch)



"QUICK®" RESERVES THE RIGHT TO INTRODUCE CHANGES TO THE EQUIPMENT AND THE CONTENTS OF THIS MANUAL WITHOUT PRIOR NOTICE.



BEFORE USING THE WINDLASS READ THESE INSTRUCTIONS CAREFULLY. IF IN DOUBT, CONTACT YOUR NEAREST "QUICK®" DEALER.

 **WARNING:** the QUICK® windlasses are designed to weigh the anchor. Do not use the equipments for other purposes. QUICK® shall not be held responsible for damage to equipment and/or personal injury, caused by a faulty use of the equipment.

THE PACKAGE CONTAINS: windlass - base gasket - handle - bolts and screws (for assembly) - user's manual - warranty card.

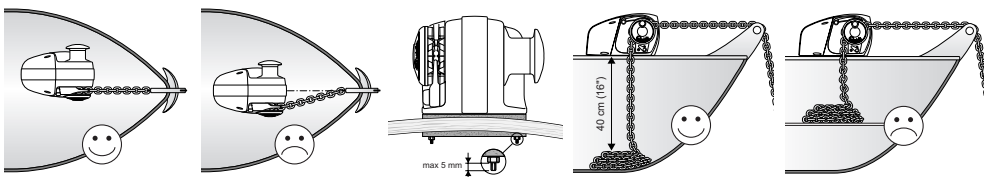
TOOLS REQUIRED FOR INSTALLATION: Drill and drill bits: $\varnothing 11$ mm (7/16"), 24 mm (15/16") \varnothing hollow mill; hex. wrenches: 13 mm e 17 mm.

"QUICK®" ACCESSORIES RECOMMENDED: Anchoring control board (mod. 800) - Waterproof hand holds (mod. HRC1002) - Foot switch (mod.900) - Hydraulic-magnetic circuit breaker - Anchor chain counter (mod. CHC1102M and CHC1202M) - Radio control (mod. 1302, 1352; 02, 302).

INSTALLATION REQUIREMENTS

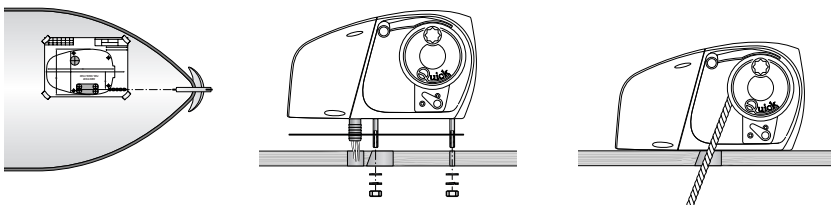
The windlass must be positioned with the gypsy aligned with the bow point.


Ensure that the upper and lower surfaces of the deck are as parallel as possible. If this is not the case, compensate the difference appropriately (a lack of parallelism could result in a loss of motor power). The deck thickness must be included among the figures listed in the table. In cases of other thicknesses it is necessary to consult a Quick® retailer. There must be no obstacles under deck to the passage of cables, rope and chain; lack of depth of the peak could cause jamming.



FITTING PROCEDURE

When the ideal position has been established, drill four holes using the drilling template provided. Remove excess material from the chain through hole, ensuring the free passage of the chain or rope. Position the windlass lowering it from above deck and inserting the gasket between the deck and the base. Screw the stud bolts, using the short threaded end, onto the base. Apply a medium grade locking product onto the thread. Fix the windlass with the screws provided onto the fixing studs. Connect the supply cables from the windlass to the battery.



 **WARNING:** before wiring up, be sure the electrical cables are not live.

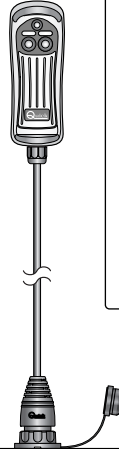


BASIC SYSTEM

SEE PAGE PAG. 34
SHOWING THE MAIN
CONNECTION DIAGRAM

MULTI-PURPOSE
WATERTIGHT HAND HELD
REMOTE CONTROL
MOD. HRC1002

WINDLASS



"QUICK" ACCESSORIES FOR WINDLASS OPERATION



WATERTIGHT HAND HELD
CHAIN COUNTER

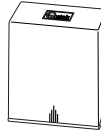
WINDLASSES
CONTROL
BOARD



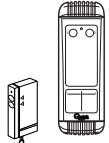
WATERTIGHT
PANEL
CHAIN COUNTER

REMOTE RADIO CONTROLS

RECEIVER

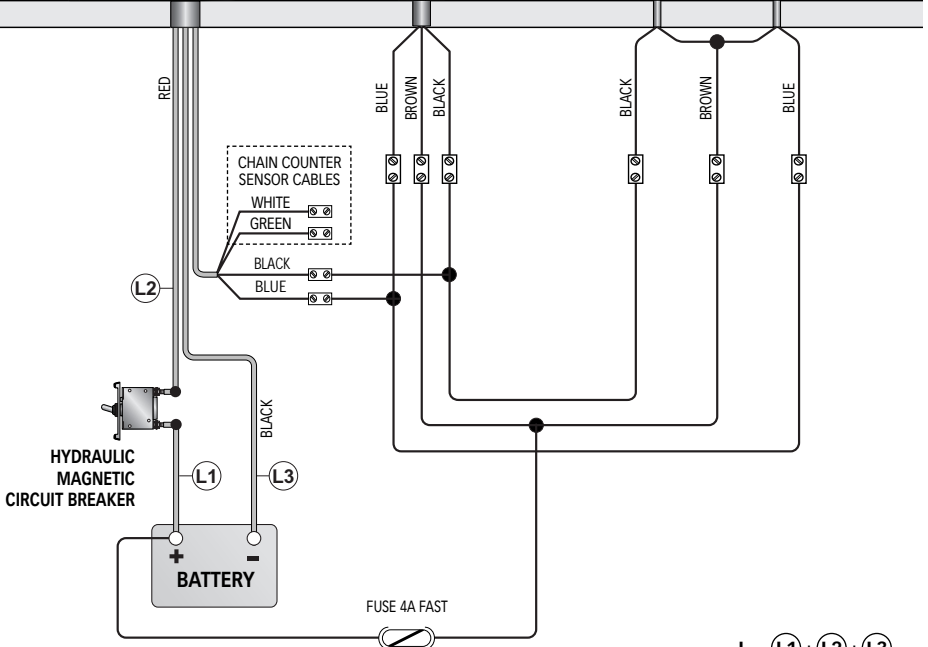


TRANSMITTERS



RADIO POCKET - HAND SET

FOOT SWITCHES MOD. 900U AND 900D



$$L = (L1) + (L2) + (L3)$$



WARNING: stay clear of the chains, ropes and gypsy. Make sure the electric motor is off when windlass is used manually (even when using the handle for disengaging the clutch). In fact people with a remote control (remote control or control system via radio) might accidentally operate the windlass.



WARNING: secure the chain with a device before starting the navigation.



WARNING: do not operate the windlass by using the electrical power when the handle is inserted in the drum or into the gypsy cover.

CLUTCH USE

The clutch provides a link between the gypsy and the main shaft. The clutch can be released (disengagement) by using the handle which, when inserted in the drum or in the gypsy cover, must be turned counter-clockwise. The clutch will be re-engaged by turning it clockwise.

WEIGHING THE ANCHOR

Turn on the engine. Make sure the clutch is engaged and remove the handle. Press the UP button on the control provided. If the windlass stops and the hydraulic magnetic switch (or thermal cutout) has not tripped, wait a few seconds and try again (avoid keeping the button pressed). If the hydraulic magnetic switch, has tripped, reset it and wait a few minutes before weighing anchor once again. If, after a number of attempts, the windlass is still blocked, we suggest to move the boat to release the anchor. Check the upward movement of the chain for the last few meters in order to avoid damages to the bow.

DRUM USE



WARNING: Before carrying out warping operations, check that the anchor and relative rope or chain are solidly fixed to a bitt or another strong point on the boat.

For the independent use of the drum (4) release the clutch with the handle (23), (at least 2 turns of the bush anticlockwise). Remove the handle from the bush on the gypsy, wrap the rope around the drum (at least 3 turns). Activate the windlass control (42), keeping the rope under tension during take up. By varying the tension during take up it is possible to modify the rope winding speed.



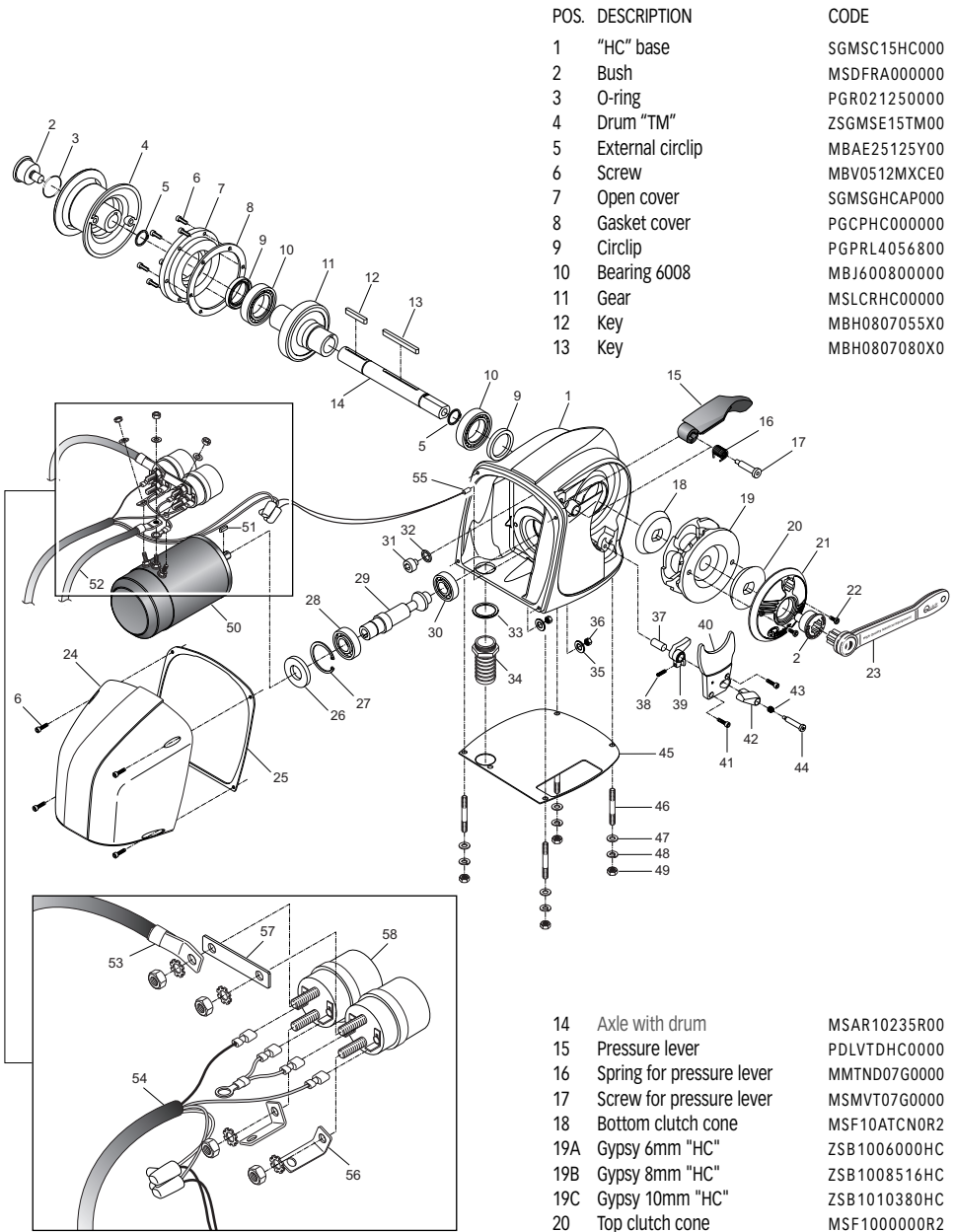
WARNING: during take up maintain a safe distance between hands and windlass drum.

Once take up is complete, screw up the clutch by tightening the gypsy drum clockwise and secure the rope to a bitt or other strong point on the boat.

MANUAL ANCHOR WEIGHING (DRUM VERSION)

Secure the chain with a device disconnect the windlass power supply. Turn the control to engage the gypsy lock (39). Remove the bush (2) with the handle. Disengage the clutch (at least two turns around the drum) release the chain, insert the handle into its seat in the gypsy cover (21) and manually take up the chain, turning the handle anticlockwise.

Once manual anchor weighing is complete, remove the handle from its seat, tighten the drum, remove the handle from the gypsy cover, tighten the clutch and release the gypsy by turning the control handle. Reconnect the windlass power supply.



POS.	DESCRIPTION	CODE
1	"HC" base	SGMSC15HC000
2	Bush	MSDFRA000000
3	O-ring	PGR021250000
4	Drum "TM"	ZSGMSE15TM00
5	External circlip	MBAE25125Y00
6	Screw	MBV0512MXCE0
7	Open cover	SGMSGHCAP000
8	Gasket cover	PGCPHC000000
9	Circlip	PGPRL4056800
10	Bearing 6008	MBJ600800000
11	Gear	MSLCRHC00000
12	Key	MBH0807055X0
13	Key	MBH0807080X0

14	Axle with drum	MSAR10235R00
15	Pressure lever	PDLVTDHC0000
16	Spring for pressure lever	MMTND07G0000
17	Screw for pressure lever	MSMVT07G0000
18	Bottom clutch cone	MSF10ATCN0R2
19A	Gypsy 6mm "HC"	ZSB1006000HC
19B	Gypsy 8mm "HC"	ZSB1008516HC
19C	Gypsy 10mm "HC"	ZSB1010380HC
20	Top clutch cone	MSF1000000R2



POS.	DESCRIPTION	CODE
21	Gypsy cover	SGMSGB10HCC0
22	Screw	MBV0612MXCE0
23	Lever	MSHD00000000
24A	"HC" plastic watertight	PDCHC2150000
24B	"HC" aluminium watertight	SGMSGHC21500
25	Gasket watertight	PGRHC0000000
26	Circlip	PGPRL2552100
27	Internal circlip	MBAN5220Y000
28	Bearing 7205	MBJ7205BE000
29	Worm screw	MSLVT10HC000
30	Bearing 6204	MBJ620400000
31	Oil stopper	MNTP38T00000
32	Gasket oil stopper	MMGUTPLHC000
33	O-ring	-
34	"HC" cable outlet	PPSPHC0000000
35	Washer	MBR06X000000
36	Nut	MBD06MXET000
37	Plug	MBSC12036A00
38	Spring	MMBLBRATC000
39	Gypsy lock lever	SGMSH10HC000
40	Rope/chain stripper	SGMSN10HC000
41	Screw	MBV0620MXCE0
42	Lock lever control	PVLBBHC00000
43	Spring	MM108077X000
44	Screw	MBV0640MXCE0
45	Base gasket	PGBSG10HC000
46	Studs	-
47	Washer	MBR10X000000
48	Springwasher	MBG10X000000
49	Nut	MBD10MXEN000
50A	Electric motor 700W 12V	ZSM0712HC000
50B	Electric motor 700W 24V	ZSM0724HC000
50C	Electric motor 1000W 12V	ZSM1012HC000
50D	Electric motor 1000W 24V	ZSM1024HC000
50E	Electric motor 1500W 12V	ZSM1512HC000
50F	Electric motor 1500W 24V	ZSM1524HC000
51	Key	MBH050515F00
52	"HC" red motor cable	SAECC135HCR0
53	"HC" black motor cable	SAECC135HCB0
54	"HC" comand cable	-
55	Sensor	KNREEDCL0000
56	"L" copper rod	ECBRAHCL0000
57	"Straight" copper rod	ECBRAHCD0000
58	Solenoid unit 700/1000W 12V	ERT10612SS00
58	Solenoid unit 700/1000W 24V	ERT10624SS00
58	Solenoid unit 1500W 12V	ERT156120000
58	Solenoid unit 1500W 24V	ERT156240000



WARNING: make sure the electrical power to the motor is switched off when working manually on the windlass. Carefully remove the chain or rope from the gypsy or the rope from the drum.

QUICK® windlasses are manufactured with materials resistant to marine environments. In any case, any salt deposits on the outside must be removed periodically to avoid corrosion and damage to the equipment.

The parts where salt may have built up should be washed thoroughly with fresh water.

Once a year, the drum and the gypsy are to be taken apart as follows:

GYPSY SIDE

Using the handle (23) remove the bush (2), remove the gypsy cover (21) and the top clutch cone (20); loosen the fixing screws (41) of the rope/chain stripper (40) and remove it (leave the pin, spring and handle in place). Pull off the gypsy (19).

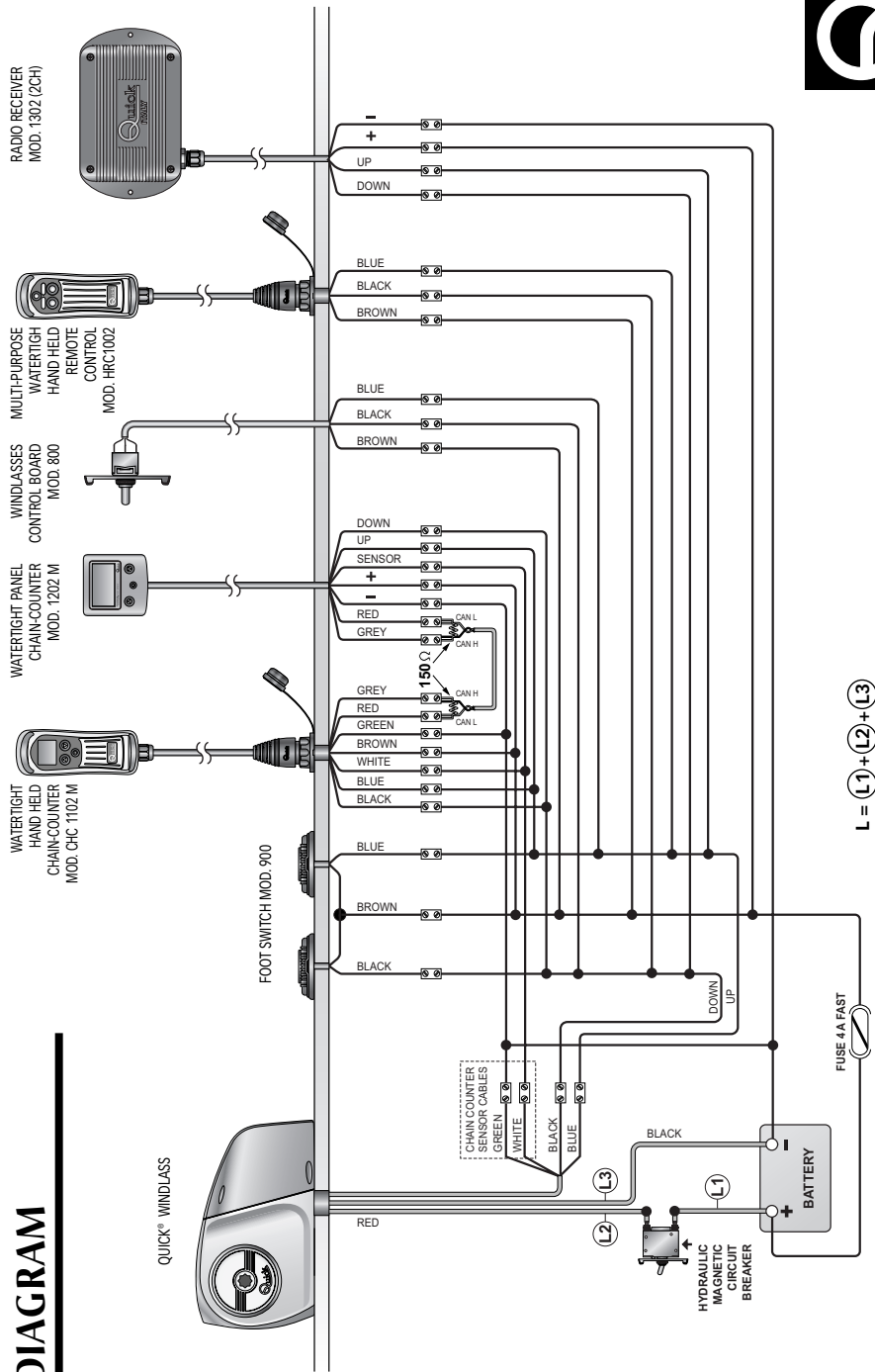
DRUM SIDE

With The Handle (23) release the bush (2) and pull off the drum (4).

Clean all the parts removed to avoid corrosion and grease (with marine grease) the shaft thread (14) and the gypsy (19) where the clutch cones rest (19 and 20).



MAIN CONNECTION DIAGRAM



Quick[®]

QUICK[®] - VIA PIANGIPANE , 120/A - 48020 PIANGIPANE (RAVENNA) - ITALY
TEL. +39.0544.415061 - FAX +39.0544.415047

WWW.QUICKITALY.COM - E-MAIL: QUICK@QUICKITALY.COM