

WARING PRO™

PROFESSIONAL WINE CHILLER



PC100

For your safety and continued enjoyment of this product, always read the instruction book carefully before using.

WINE CHILLER

Our Wine Chiller has an internal database of 33 red, white and champagne wines. Simply select your wine from the large backlit LCD screen and the chilling or warming begins. You'll always know when your wine is ready because an alarm alerts you when it has reached the optimum serving temperature.

The Wine Chiller has been thoroughly tested to be certain it meets our own **exacting quality control standards**. Please take a few moments to review the following **Important Information** before using this item.

Serve wine at the perfect temperature – every time!

IMPORTANT SAFEGUARDS

All the safety and operating instructions should be read, adhered to and followed before the unit is operated.

WARNING

1. Close supervision is necessary when this unit is used by or near children.
2. Use this unit only for its intended use as described in this manual.
3. Unplug this unit during lightning storms or when unused for long periods of time.
4. Never drop or insert an object into any opening.
5. Protect the power cord from being walked on or pinched, particularly at plug outlets, convenience receptacles and the point where it exits the unit.
6. Do not allow cord to touch hot surfaces. Wrap cord loosely around the unit when storing.
7. The unit should be situated away from direct sunlight or heat sources such as radiators, electric heaters, heat registers, stoves, or other units (including amplifiers) that produce heat. Avoid placing on top of stereo equipment that radiates heat.
8. Never block the air opening of the unit with materials such as clothing, plastic bags or papers, or place it on a soft surface such as a bed or couch, where the air openings may be blocked.
9. Do not overload electrical outlet. Use only the power source as indicated.
10. Do not carry this unit by cord or use cord as handle.
11. Never operate this unit if it has a damaged cord or plug, if it is not working properly, or if it has been dropped or damaged or dropped into water. If the unit's power supply cord or plug is damaged, do not attempt to fix it yourself.

12. To avoid the risk of electric shock, do not disassemble or attempt to repair the unit. Incorrect repair can cause risk of electric shock or injury to persons when unit is used.
13. Do not operate in the presence of explosive and/or flammable fumes.

DANGER

To reduce the risk of electric shock, burns, fire or injury:

1. Always unplug the unit from the electrical outlet immediately after using.
2. Do not use while bathing or in a shower.
3. Do not place or store unit where it can fall or be pulled into a tub or sink.
4. Do not place in or drop into water or other liquid.
5. Do not reach for unit that has fallen into water. Unplug it immediately.
6. Care should be taken so that objects do not fall and liquids are not spilled onto the unit.

CAUTION

- TO REDUCE THE RISK OF ELECTRIC SHOCK, DO NOT REMOVE COVER OR BACK. THERE ARE NO USER-SERVICEABLE PARTS INSIDE.
- TO REDUCE THE RISK OF FIRE OR ELECTRIC SHOCK, DO NOT EXPOSE THIS UNIT TO WATER OR MOISTURE.



The lightning flash with arrow-head symbol within an equilateral triangle is intended to alert the user to the presence of uninsulated dangerous voltage within the unit's enclosure that may be of sufficient magnitude to constitute a risk of electric shock.



The exclamation point within an equilateral triangle is intended to alert the user to the presence of important operating and maintenance (servicing) instructions in the literature accompanying the unit.

CLEANING THE FILTER

Clean the filter regularly to help maintain optimal performance and to prevent the buildup of debris in the internal components.

1. With the unit off and the power adapter unplugged from the electrical outlet, remove the filter.
See Fig. 1.

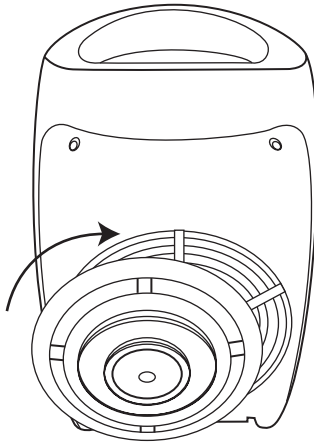


Fig. 1




2. Using a soft brush, clean any debris from the filter.
3. Replace the filter and tighten.

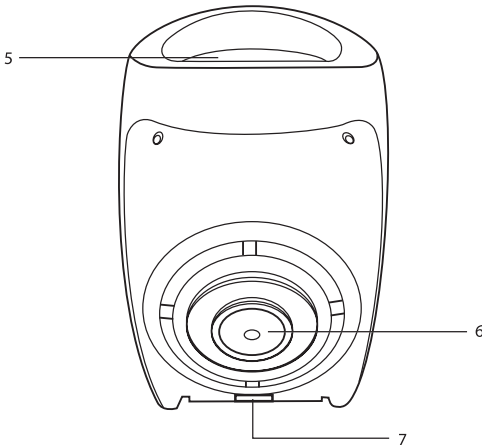
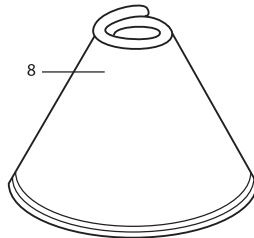
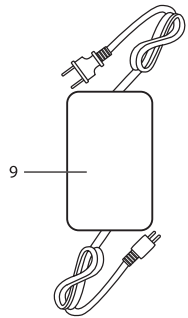
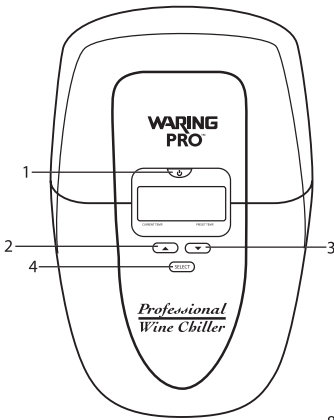
VIEWING WINE TEMPERATURE IN FAHRENHEIT OR CELSIUS

1. With the unit off, press ϕ and SELECT simultaneously for approximately one second. "Fahrenheit" appears on the display.
2. Press \blacktriangle or \blacktriangledown to select Fahrenheit or Celsius.
3. Press SELECT to save your selection. The unit shuts off automatically.

LOCATION OF CONTROLS AND INDICATORS

Unit

- 1. 
- 2. 
- 3. 
- 4. SELECT
- 5. Aluminum Reservoir
- 6. Filter
- 7. Jack
- 8. Insulation Sleeve
- 9. Power Adapter



WINE CHILLER OPERATION

Using the Wine Chiller

1. Insert one end of the power adapter into the Wine Chiller (make sure adapter is securely in place) and plug the other end into an electrical outlet.
2. Wrap the insulation sleeve around the neck of your wine or champagne bottle and place the bottle in the aluminum reservoir.
3. Press ϕ until the display illuminates blue.
4. Press SELECT to enter the Wine Library.
5. Press \blacktriangle or \blacktriangledown to select red wine, white wine or champagne.
6. Press SELECT again, then press \blacktriangle or \blacktriangledown to select your specific wine or champagne.
7. Press SELECT again and cooling or warming begins. Your wine or champagne's current temperature appears on the left side of the display and the optimum temperature appears on the right side.

Note:

- The unit beeps and stops the cooling/warming process when the optimum serving temperature is reached.
- The unit will resume the cooling/warming process when your wine is no longer at the optimum serving temperature.

CARE AND MAINTENANCE

Wipe with a damp cloth, then dry. Do not use abrasive cleaning agents.



Waring Products
Division of Conair Corporation
150 Milford Road
East Windsor, NJ 08520
www.waringproducts.com

Printed in China
PC100 IB
06WR32063

F IB-6881

Version no.: PC100 (B-6881)
Size: 140mm(W) x 216mm(H) New
Material: 60gsm woodfree paper
Coating: _____
Color (From): 1C(Black)
(Back): 1C(Black)
Date: JUN-07-2006 Co-ordinator: TH LIN

 宝发柯式印刷有限公司

Tel: 0769-87720314 Fax: 0769-87720324
0769-87866328
E-MAIL: pofat.k.w.cheng@96326.com

B

