



Intermec



User's
Manual

4420 and 4440 Bar Code Label Printer

P/N 066392-001

Intermec Technologies Corporation
6001 36th Avenue West
P.O. Box 4280
Everett, WA 98203-9280

U.S. technical and service support: 1-800-755-5505
U.S. media supplies ordering information: 1-800-227-9947

Canadian technical and service support: 1-800-688-7043
Canadian media supplies ordering information: 1-800-268-6936

Outside U.S. and Canada: Contact your local Intermec service supplier.

The information contained herein is proprietary and is provided solely for the purpose of allowing customers to operate and/or service Intermec manufactured equipment and is not to be released, reproduced, or used for any other purpose without written permission of Intermec.

Information and specifications in this manual are subject to change without notice.

© 1998 by Intermec Technologies Corporation
All Rights Reserved

The word Intermec, the Intermec logo, JANUS, IRL, TRAKKER, Antares, Adara, Duratherm, EZBuilder, Precision Print, PrintSet, Virtual Wedge, and CrossBar are either trademarks or registered trademarks of Intermec.

Novell is a registered trademark of Novell, Inc.

Kindura is a registered trademark of Kimberly Clark.

Kapton is a registered trademark of Dupont.

Speedo, Dutch, and Swiss are registered trademarks of Bitstream Inc.

The name Windows is a registered trademark of Microsoft Corporation.

IBM is a registered trademark of International Business Machines Corporation.

Throughout this manual, trademarked names may be used. Rather than put a trademark (TM or [®]) symbol in every occurrence of a trademarked name, we state that we are using the names only in an editorial fashion, and to the benefit of the trademark owner, with no intention of infringement.

Contents

Before You Begin *vii*

Warranty Information *vii*

Safety Summary *vii*

Warnings and Cautions *viii*

About This Manual *ix*

1

Getting Started

Getting to Know Your Printer *1-3*

Preparing the Printer for Installation *1-4*

Connecting the Printer to a Power Source *1-5*

Opening the Printer *1-6*

Loading Media for Fanfold Printing *1-7*

Printing the Hardware Configuration Test Label *1-9*

What the Hardware Configuration Test Label Tells You *1-10*

If a Hardware Configuration Test Label Does Not Print *1-10*

Connecting the Printer to Your System *1-10*

Connecting the Printer to a PC *1-11*

Connecting the Printer to a PC Serial Port *1-11*

Connecting the Printer to a PC Parallel Port *1-12*

Connecting the Printer to a PC With a Modem *1-13*

Connecting the Printer to a Network *1-14*

Connecting the Printer to an AS/400 *1-14*

Connecting the Printer to a Mainframe *1-15*

Cabling in Noisy Electrical Environments *1-15*

Configuring the Serial Port for Communications *1-16*

2

Operating the Printer

Learning How to Operate the Printer *2-3*

Understanding the Front Panel *2-3*

Using the Front Panel LEDs *2-4*

Using the Front Panel LEDs for Troubleshooting *2-4*

Using the Feed/Pause Button *2-5*

Loading Roll Media Into the Printer *2-6*

Loading Thermal Transfer Ribbon 2-8

Setting the Media Sensitivity Number 2-11

Setting the MSN for Intermec Media and Ribbon 2-12

Setting the MSN for Other Media and Ribbon 2-13

Communicating With the Printer 2-16

Using the PrintSet Software 2-16

Using Third-Party Software 2-16

Using Intermec Printer Language (IPL) Commands 2-16

Printing a Test Label to Test Communications 2-17

3

Maintaining the Printer

Inspecting the Printer 3-3

Maintenance Schedule 3-3

Tools for Cleaning the Printer 3-5

Cleaning the Printhead 3-6

Cleaning the Printer Covers 3-7

Cleaning the Rollers and the Tear Bar 3-8

Cleaning the Media Guides and Media Path 3-10

Cleaning the Label Sensors 3-12

4

Troubleshooting

Troubleshooting Checklist 4-3

Printer Operation Problems 4-3

Print Quality Problems 4-5

Communication Problems 4-7

Preventing Data Loss 4-8

5

Optimizing Printer Performance

Optimizing and Maintaining Print Quality 5-3

Correcting Uneven Print Quality 5-3

Adjusting the Print Darkness 5-5

Fine-Tuning the Top of Form Position 5-7

Adjusting the Label Gap Sensor 5-11

- Adjusting the Label Mark Sensor 5-13*
- Using the Printer Memory Efficiently 5-15*
 - How Is the Printer Storage Memory Used? 5-15*
 - Making the Most of Your Memory 5-15*
- Increasing Throughput 5-16*
 - What Is an Image Band? 5-16*
 - How the Image Bands Command Works 5-17*
 - Optimizing Print Speed and Image Band Setting 5-17*

6

Using Test and Service Mode

- Using Test and Service Mode Procedures 6-3**
 - Printing Test Labels 6-5*
 - Using Data Line Print Mode 6-5*
 - Performing Selective Transfer 6-6*
 - Using Memory Reset 6-7*
- Setting Configuration Commands in Test and Service Mode 6-8**
 - Setting the Number of Dot Increments 6-9*
 - Adjusting the Label Rest Point 6-10*
 - Setting Emulation Mode 6-12*
 - Using Forms Adjust 6-13*
 - X Forms Adjust 6-14*
 - Y Forms Adjust 6-15*

A

Printer Specifications

- 4420 and 4440 Printer Specifications A-3**
- Factory Default Settings A-6**
- Printer Options A-7**
- Bar Code Symbologies Supported A-8**

B

Character Sets

- International Character Sets B-3**
- Extended Character Sets B-6**



Communications Reference

Communications Protocols C-3

Communications Interfaces C-9

Printer Serial Port C-11



Glossary



Index



Before You Begin

This section introduces you to standard warranty provisions, safety precautions, warnings and cautions, document formatting conventions, and sources of additional product information. A documentation roadmap is also provided to guide you in finding information in this manual.

Warranty Information

To receive a copy of the standard warranty provision for this product, contact your local Intermec sales organization. In the U.S. call 1-800-755-5505, and in Canada call 1-800-688-7043. Otherwise, refer to the Worldwide Sales & Service list that was shipped with this manual for the address and telephone number of your Intermec sales organization.

Safety Summary

Your safety is extremely important. Read and follow all warnings and cautions in this book before handling and operating Intermec equipment. You can be seriously injured, and equipment and data can be damaged if you do not follow the safety warnings and cautions.

Do not repair or adjust alone Do not repair or adjust energized equipment alone under any circumstances. Someone capable of providing first aid must always be present for your safety.

First aid Always obtain first aid or medical attention immediately after an injury. Never neglect an injury, no matter how slight it seems.

Resuscitation Begin resuscitation immediately if someone is injured and stops breathing. Any delay could result in death. To work on or near high voltage, you should be familiar with approved industrial first aid methods.

Energized equipment Never work on energized equipment unless authorized by a responsible authority. Energized electrical equipment is dangerous. Electrical shock from energized equipment can cause death. If you must perform authorized emergency work on energized equipment, be sure that you comply strictly with approved safety regulations.

Warnings and Cautions

The warnings and cautions in this manual use the following format.



Warning

A warning alerts you of an operating procedure, practice, condition, or statement that must be strictly observed to avoid death or serious injury to the persons working on the equipment.

Avertissement

Un avertissement vous avertit d'une procédure de fonctionnement, d'une méthode, d'un état ou d'un rapport qui doit être strictement respecté pour éviter l'occurrence de mort ou de blessures graves aux personnes manipulant l'équipement.



Caution

A caution alerts you to an operating procedure, practice, condition, or statement that must be strictly observed to prevent equipment damage or destruction, or corruption or loss of data.

Conseil

Une précaution vous avertit d'une procédure de fonctionnement, d'une méthode, d'un état ou d'un rapport qui doit être strictement respecté pour empêcher l'endommagement ou la destruction de l'équipement, ou l'altération ou la perte de données.



About This Manual

Analysts and programmers should use this manual to learn how to operate, program, and connect the printer to a network or system. The first part of this manual tells you how to install, operate, maintain, and troubleshoot your printer. The last part of the manual covers advanced features of the 4420 and 4440 printers. A basic understanding of programming and data communications is necessary.

What You Will Find in This Manual

This table summarizes the information in each chapter of this manual:

For Information On	Refer To
Installing the printer	Chapter 1, "Getting Started." Tells you how to plug in the printer, load fanfold media, configure the serial port, and print a configuration test label.
Operating the printer	Chapter 2, "Operating the Printer." Explains the printer front panel, tells you how to load roll media, load ribbon, and print a test label.
Routine maintenance	Chapter 3, "Maintaining the Printer." Shows how to maintain the printer.
Troubleshooting	Chapter 4, "Troubleshooting." Instructs how to troubleshoot operation, quality, and communication problems.
Improving printer performance	Chapter 5, "Optimizing Printer Performance." Tells you how to fine-tune the printer to increase processing time.
Test and Service features	Chapter 6, "Using Test and Service Mode." Provides information on using Test and Service mode to print test labels, perform procedures and configure settings.
Specifications	Appendix A, "Printer Specifications." Contains operating specifications, options, and supported bar code symbologies.
Character sets	Appendix B, "Character Sets." Lists all of the character sets that the 4420 and 4440 printers support.
Communications	Appendix C, "Communications Reference." Provides information on communication protocols for your system and serial port pin assignments.

Terms and Conventions

The following special terms and conventions occur throughout the manual. Refer to the glossary for a complete list of terms.

Terms

“Printer”, “4420”, or “4440” refer to the 4420 and 4440 bar code label printers.

“Media” is the label stock (including thermal transfer ribbon) on which the printer prints labels.

“Host” refers to a personal computer or other computer that communicates with the printer.

Conventions

The following conventions are used throughout this manual for operating procedures and descriptions of the printer.

- Feed/Pause refers to the Feed/Pause button on the printer front panel.
- Downloaded commands appear in the order that you enter them into the printer with the following conventions:

Convention	Description
< >	Angle brackets < > enclose mnemonic representations of ASCII control characters. For example, <ETX> represents the ASCII “End of Text” control character.
<i>data</i>	Italic text represents variable data, which you must replace with a real value. For example, <i>n</i> signifies a variable for which you must designate a constant value.
[<i>data</i>]	Italic text within brackets represents optional data.
Ctrl	Bold text represents a key on your keypad. For example, Ctrl represents the Ctrl key.
Ctrl-Z	When two keys are joined with a dash, press them simultaneously. For example, if you see the command Ctrl-Z , press the two keys at the same time.
E3 ; F3	Type all characters that appear in the Courier font by pressing an individual key on the keypad.



Other Intermec Manuals

The following manuals provide additional information on understanding and communicating with your printer.

Manual	Intermec Part Number
<i>4420 and 4440 Bar Code Label Printer Getting Started Guide</i>	066394
<i>IPL Programming Reference Manual</i>	066396
<i>The Bar Code Book</i>	051241
<i>Data Communications Reference Manual</i>	044737

1

Getting Started

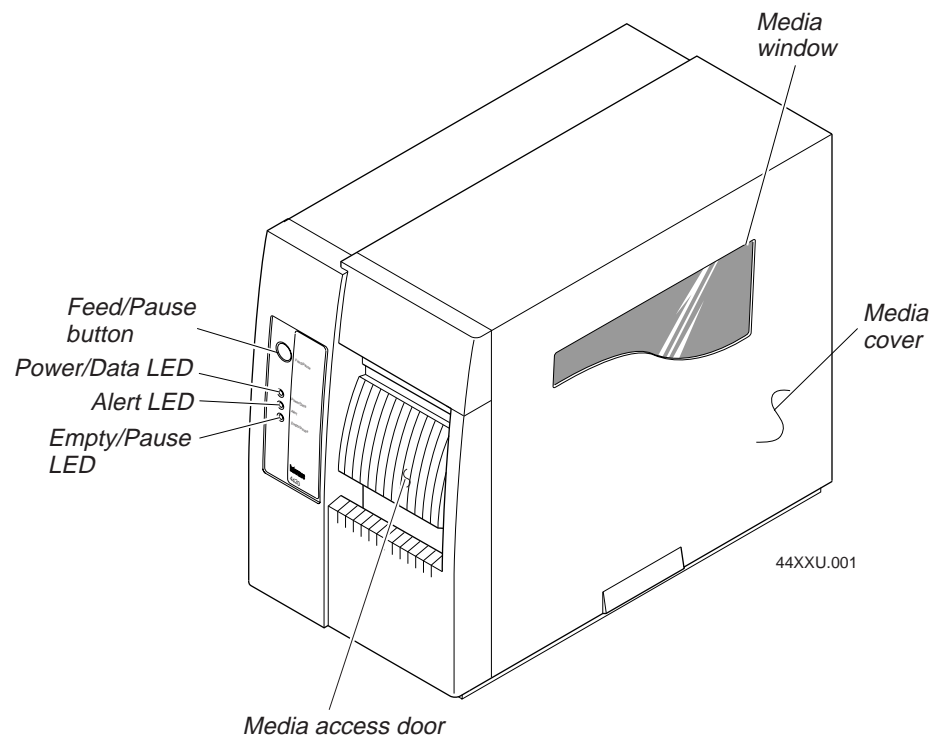
This chapter introduces the 4420 and 4440 printer and explains how to get your new printer up and running for the first time.

Getting to Know Your Printer

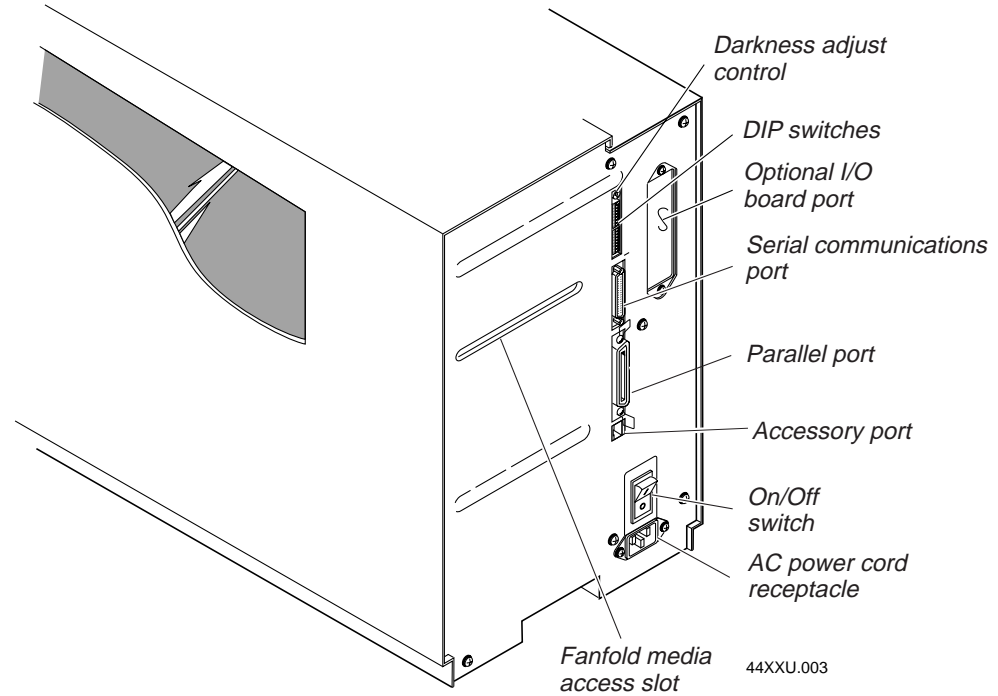
Features of the 4420 and 4440 printer include:

- High throughput
- IEEE 1284 parallel port
- 18,000 inch ribbon capacity
- Simple user interface
- Moveable label gap sensor
- Up to 8 inches per second (ips) print speed with selected media
- Direct thermal and thermal transfer printing support
- Precision Print technology

Front View



Back View



Several options are available for use with the 4420 and 4440 printer. See Appendix A, "Printer Specifications," for a complete description of each option.

Note: The accessory port is reserved for future use.

Preparing the Printer for Installation

Before connecting the printer to your data collection system, you need to:

- connect the printer to a power source.
- open the printer.
- load media for fanfold printing.
- print a configuration test label.

These steps are described in the next sections.

Connecting the Printer to a Power Source

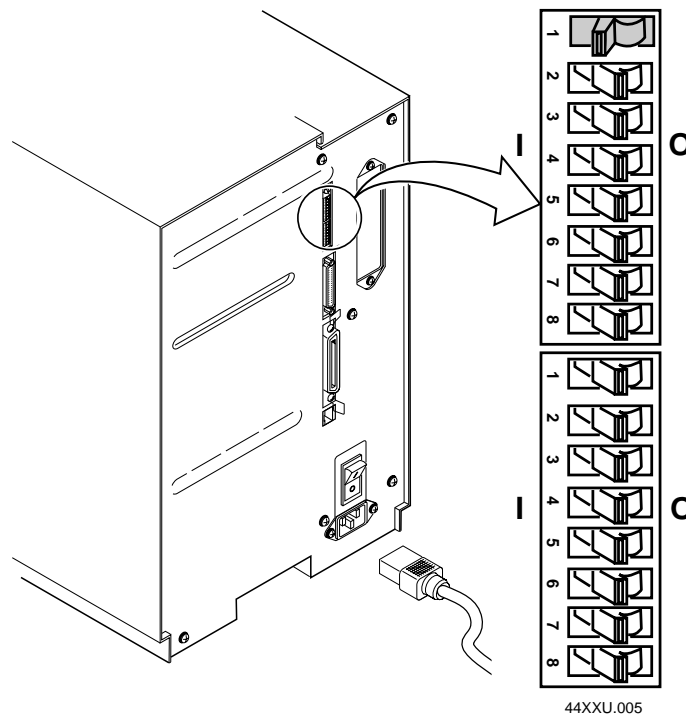
The back of the printer contains the AC power cord receptacle, the serial communications port, the parallel communications port, the accessory port, the darkness adjust, the On/Off switch, and two banks of DIP switches.

To connect the printer to a power source

1. Turn off the printer.
2. Make sure the DIP switches on the back of the printer are set to their factory default settings.

Top Bank Turn on switch 1. Turn off switches 2 through 8.

Bottom Bank Turn off switches 1 through 8.



3. Plug the AC power cord into the receptacle at the rear of the printer.
4. Plug the other end of the power cord into a grounded wall outlet or surge protector.
5. Turn the printer on.

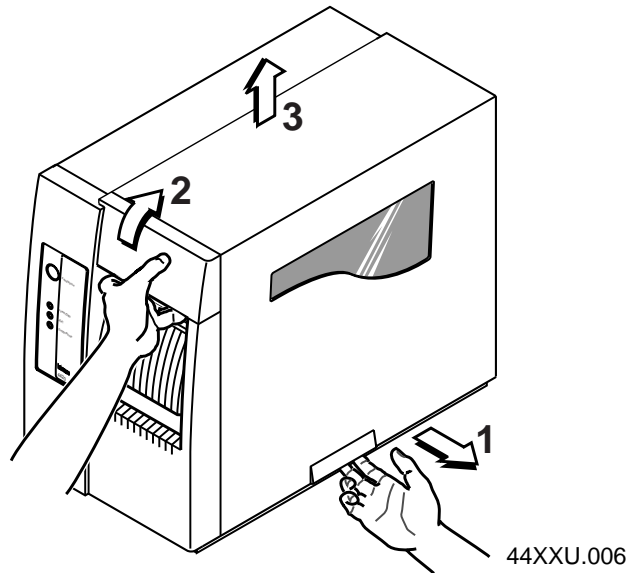
When you turn on the printer, the green light emitting diode (LED) lights and the platen roller advances. The yellow LED lights until you load media.

Opening the Printer

You need to open the printer when you load media or perform maintenance procedures.

To open the printer

1. Place the fingers of your right hand under the embossed section of the media cover (the media cover release) and pull the bottom of the media cover away from the base of the printer.
2. Grasp the front of the media cover with your left hand and lift the front of the media cover upward to release it from the printer frame.
3. Lift the media cover away from the top of the printer.



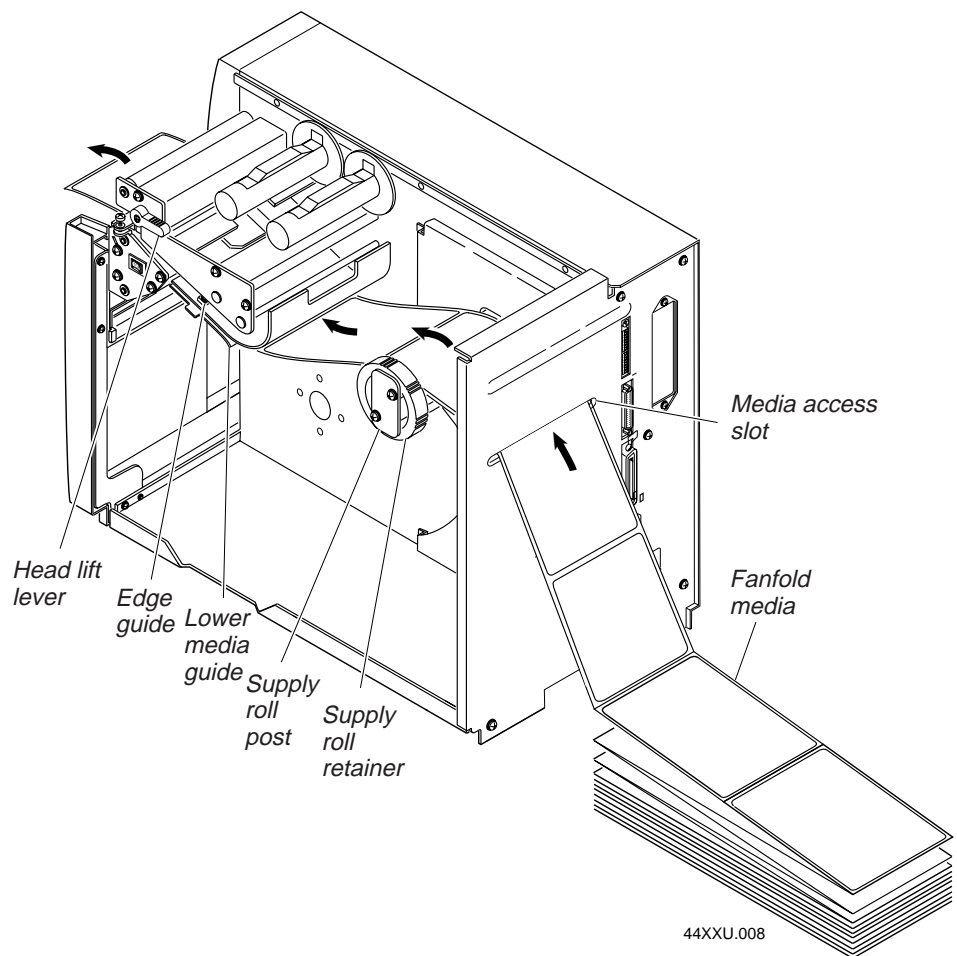
Loading Media for Fanfold Printing

Use the sample of fanfold media provided in the Media Envelope to complete the following procedures. In fanfold printing, you place a stack of fanfold media at the rear of the printer and feed it into the printer through a slot in the rear cover.

Note: If you want to load rolls of media (instead of fanfold), see “Loading Roll Media Into the Printer” in Chapter 2.

To load media for fanfold printing

1. Open the printer.
2. Rotate the head lift lever clockwise to release the printhead.
3. Turn the supply roll retainer counterclockwise and slide it to the outer end of the supply roll post.



44XXU.008

4. Place the fanfold media slightly lower than the slot in the printer back cover. Align the fanfold media with the label path through the printer. Insert media through the slot at the rear of the printer and thread it over the supply roll post.
5. Unscrew the edge guide and slide it to the outer edge of the lower media guide. Screw it in place.
6. Pull down on the lower media guide to allow easy access to the media path.
7. Insert the fanfold media through the printer mechanism as shown in the illustration. The fanfold media passes over the supply roll post and out the front opening of the printer.
8. Release the lower media guide and adjust the edge guide to position the media firmly against the inside wall of the printer.
9. Slide the supply roll retainer up to the edge of the fanfold media and turn the supply roll retainer clockwise until it locks firmly in place. This action secures the media against the inside wall of the printer.
10. Rotate the head lift lever counterclockwise until it locks to engage the printhead.
11. Replace the media cover.
12. Press the Feed/Pause button to advance one label through the printer.

The yellow Empty/Pause LED goes out. The printer is now ready to print the configuration test label.

Note: *If the yellow Empty/Pause LED does not go out, reload the media and try again.*

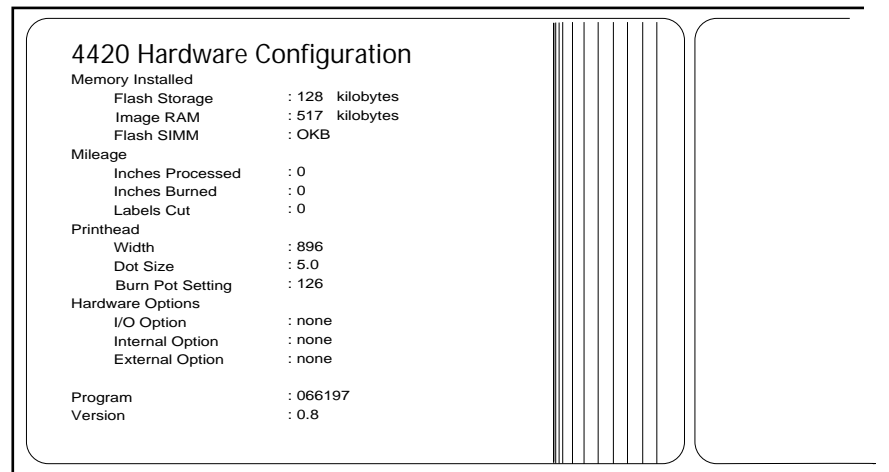
Note: *For your convenience, refer to the label with directions for loading media located on the inside of the media cover the next time you load media.*

Printing the Hardware Configuration Test Label

You can print the hardware configuration test label to test the printer and make sure it is operating correctly. The hardware configuration test label lists your printer's configuration. Use this label for reference when connecting the 4420 or 4440 printer to your system.

To print the hardware configuration test label

1. Turn off the printer.
2. Press and hold the Feed/Pause button while you turn the printer on. The Alert and Empty/Pause LEDs blink during the printer self-test.
3. Release the Feed/Pause button when the media starts moving. The printer feeds out one or two blank labels and then prints the hardware configuration test label.
4. Turn the printer power off and then on again.



4420 Hardware Configuration	
Memory Installed	
Flash Storage	: 128 kilobytes
Image RAM	: 517 kilobytes
Flash SIMM	: OKB
Mileage	
Inches Processed	: 0
Inches Burned	: 0
Labels Cut	: 0
Printhead	
Width	: 896
Dot Size	: 5.0
Burn Pot Setting	: 126
Hardware Options	
I/O Option	: none
Internal Option	: none
External Option	: none
Program	
Version	: 066197 : 0.8

44XXU.010

Note: The hardware configuration label defines the above parameters. Individual values vary between printers.

What the Hardware Configuration Test Label Tells You

The hardware configuration test label provides information on the status of your printer hardware.

If a Hardware Configuration Test Label Does Not Print

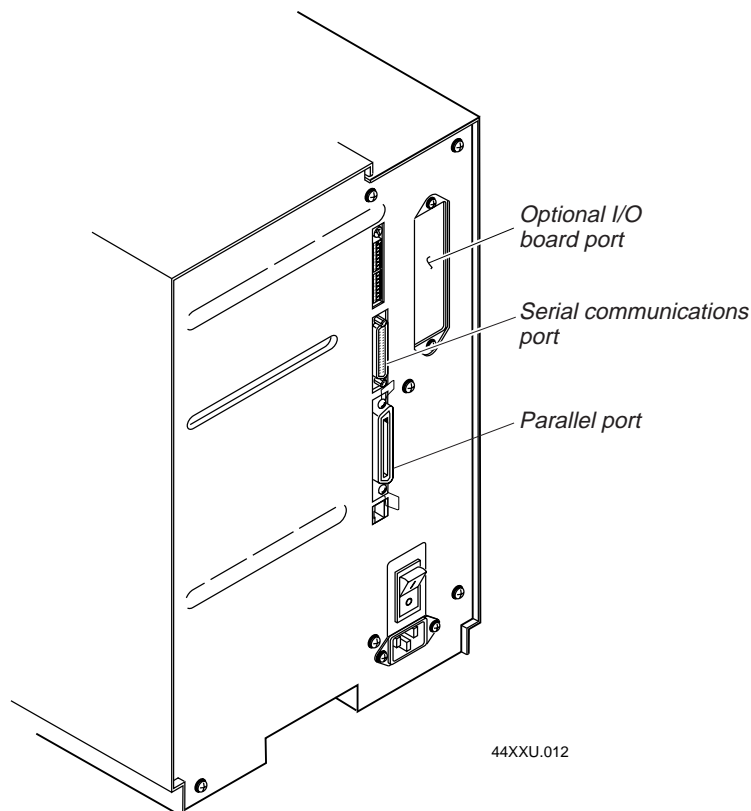
If you are unable to print a hardware configuration test label, see "Printer Operation Problems" in Chapter 4.

Connecting the Printer to Your System

You can connect your 4420 or 4440 printer to a PC, a local area network, an AS/400 (or other midrange), or a mainframe. Use this section to learn how to connect your printer to any of these systems.

This illustration shows you where to connect your system to the printer. You can use any of these three ports on the rear of the printer:

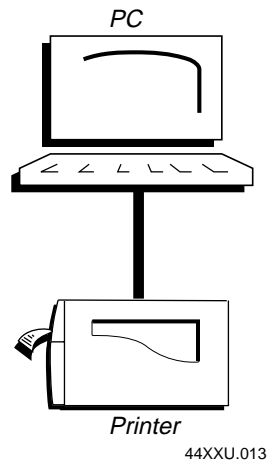
- Serial communications port
- Parallel port
- Optional I/O board port (if you have an adapter card installed)



44XXU.012

Connecting the Printer to a PC

You can connect the 4420 or 4440 to either a serial port or a parallel port on your PC. You must provide the correct cables for connecting the printer. See the following sections for cable information. Contact your Intermec representative for ordering assistance if you do not have the appropriate cables.



Connecting the Printer to a PC Serial Port

To connect the 4420 or 4440 to your PC serial port, you need a shielded EIA RS-232, RS-422, or RS-485 electrical interface with a 25-pin D-style subminiature connector. It must have pins on the printer end and an appropriate serial port connector on the other end.

Currently, Intermec does not offer a cable for the RS-422 interface. However, you will find a schematic in Appendix C that you can use to purchase or make your own cable. Also see Appendix C for the RS-232, RS-422, and RS-485 serial port assignments.

To connect your printer to a PC serial port

1. Turn off the printer.
2. Plug the 25-pin connector into the serial communications port on the rear of the printer.
3. Plug the other end of the cable into a serial (COM) port on the PC.
4. If necessary, change the PC serial port configuration to match your printer. See "Configuring the Serial Port for Communications" later in this chapter for more information.

Connecting the Printer to a PC Parallel Port

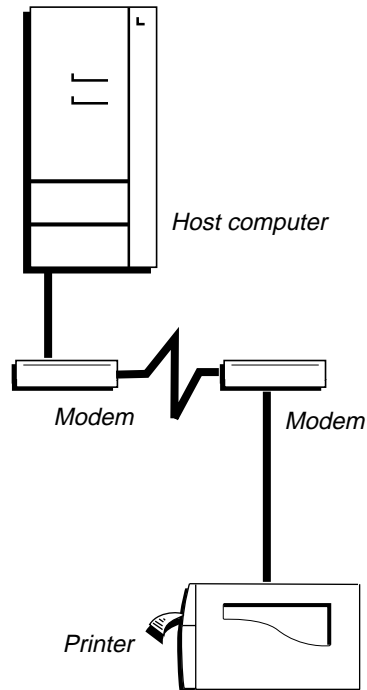
If you are using a parallel port to communicate with your printer, you need a parallel cable to run between the printer and the PC. You can purchase the Intermec IEEE 1284 parallel cable (Intermec Part No. 590124) or purchase a compatible cable from your local computer store.

To connect your printer to a PC parallel port

1. Turn off the printer.
2. Plug the parallel interface connector into the parallel communications port on the rear of the printer.
3. Plug the other end of the cable into a parallel port on the PC.

Connecting the Printer to a PC With a Modem

Use a modem to communicate with your host from a remote location not accessible with remote cabling. You must use an asynchronous, dedicated (non-switched or manually switched), full-duplex modem. Refer to your modem documentation for communications requirements.



44XXU.016

To connect your printer to a PC with a modem

1. Connect the printer serial port to a modem using a 25-pin to 25-pin RS-232 modem cable assembly (Intermec Part No. 043237S).
2. Connect a second modem to the host computer using an appropriate cable assembly for the host and modem.
3. Connect the two modems together using an acoustic coupler or a direct connection to telephone communications lines.
4. If necessary, change the printer's serial port configuration by following the instructions in "Configuring the Serial Port for Communications" later in this chapter.

Connecting the Printer to a Network

You can connect the 4420 or 4440 printer to Novell NetWare networks, Token Ring networks, or other TCP/IP networks. To connect the printer to a network, you must have a network interface adapter (for example, Ethernet).

The network interface adapter connects to the parallel port of the printer. You may need to change the serial port settings to match the requirements of your network interface adapter. You can determine the communications requirements for your network by referring to the controlling device documentation.

If the controlling device is an Intermec product, refer to the following manuals for instructions and information on the necessary cabling and connections.

- *9154 Multi-Drop Line Controller System Manual* (Intermec Part No. 048517)
- *9161B Installation Manual* (Intermec Part No. 049572)
- *9180 Network Controller User's Manual* (Intermec Part No. 054292)
- *Data Communications Reference Manual* (Intermec Part No. 044737)
- *Model 200 Controller System Manual* (Intermec Part No. 063439)
- *RF System User's Manual* (Intermec Part No. 053574)

If you need to change the printer's communications parameters, follow the procedures in "Configuring the Serial Port for Communications" later in this chapter.

Connecting the Printer to an AS/400

To connect a 4420 or 4440 printer directly to an AS/400 or midrange computer, you need:

- a twinax adapter card.
- a twinax cable equivalent to IBM part number 7362267 or 7362062. The maximum cable length for the twinax interface is 5,000 feet (1,525 meters).

If you did not have the twinax card installed at the factory, you can install the field installable option (Intermec Part No. 056835) in the optional I/O board port of your printer.

For help on cabling and communications, see the manual that comes with the twinax adapter card.

Note: *If you are using a midrange computer other than the AS/400, refer to your system documentation for information on cabling and setting up communications.*

Connecting the Printer to a Mainframe

To connect a 4420 or 4440 printer directly to an IBM mainframe, you need:

- a coax adapter card.
- a coax cable equivalent to IBM part number 2577672 or 1833108.

The maximum cable length allowed is 4,920 feet (1,500 meters). See the IBM specification *Installation and Assembly of Coaxial Cable and Accessories*, part number GA27-2805-4, for further information.

If you did not have the coax card installed at the factory, you can install the field installable option (Intermec Part No. 056836) in the optional I/O board port of your printer.

For help on cabling and communications, see the manual that comes with your coax adapter card.

Cabling in Noisy Electrical Environments

The items listed below create noisy electrical environments that can disrupt data communications between your host computer and the printer:

- Large power transformers
- Large electrical motors
- Arc welders
- Motor controllers
- Switch gears

If any of these items are near your printer, you may want to try any of the following suggestions to reduce the effects of electrical noise. If you need help eliminating noise, ask your Intermec representative for assistance.

- Always use shielded cable. Connect the cable and shield to the metal backshells on the cable connectors and fasten the connectors to the serial ports using screws.
- Install ferrite cable clamps.
- Connect the printer chassis ground to the building ground. You will find the chassis ground on the ground pin of the printer power cord.

Configuring the Serial Port for Communications

You need to configure the serial port of the 4420 or 4440 printer to match the configuration of your PC or network controlling device. If the printer's default settings do not match, use the DIP switch settings table to configure the serial port.

Note: You need to configure the printer serial port for 8 data bits if you want to print code pages or 8-bit ASCII character sets. Also, use XON/XOFF protocol for Ready/Busy buffer control.

To configure the printer serial port

1. Use the following DIP Switch Settings descriptions and table to locate the DIP switches you use to configure the serial port.
2. Use a small straight-slot screwdriver to set the appropriate DIP switches.
For example, if you want to change the media type to thermal transfer, set DIP switch 8 on the bottom bank of switches to the on position.
3. Turn the printer power off and then on for the configuration changes to take effect.

Note: Make sure you set all Multi-Drop switches to off if you are not using a Multi-Drop network.

DIP Switch Settings Descriptions

Parameter	Description
Baud rate	The rate, in bits per second, at which the host exchanges data with the printer.
Parity	Adds one bit (1 or 0) to the character to make the sum of bits always odd or even.
Data bits	The number of bits (7 or 8) that represent the ASCII characters.
Batch takeup	Enables or disables batch takeup/self-strip motor.
Multi-Drop address	Unique address for each device connected with Multi-Drop protocol.
Protocol	The transmission standards for communication between the printer and each connecting device.
Media type	Enables the printer to work with either direct thermal or thermal transfer media.

DIP Switch Settings Table

Top Bank Switch Number				Bottom Bank Switch Number			
OFF				OFF			
ON				ON			
1 2 3 4 5 6 7 8				1 2 3 4 5 6 7 8			
Baud Rate Selection				Multi-Drop Address Selection			
19,200	0	0	0	*A	0	0	0
9,600*	1	0	0	B	1	0	0
4,800	0	1	0	C	0	1	0
2,400	1	1	0	D	1	1	0
1,200	0	0	1	E	0	0	1
38,400	1	0	1	F	1	0	1
57,600	0	1	1	G	0	1	1
115,200	1	1	1	H	1	1	1
Parity Selection				I	0	0	0
Even*			0	J	1	0	0
Odd			1	K	0	1	0
None			0	L	1	1	0
None			1	M	0	0	1
Number of Data Bits				N	1	0	1
7 Bit*			0	O	0	1	1
8 Bit			1	P	1	1	1
Reserved				Q	0	0	0
				R	1	0	0
				S	0	1	0
				T	1	1	0
				U	0	0	1
BatchTakeup				V	1	0	1
Disabled *			0	W	0	1	1
Enabled			1	X	1	1	1
				Y	0	0	0
				Z	1	0	0
				0	0	1	0
				1	1	1	0
				2	0	0	1
				3	1	0	1
				4	0	1	1
				5	1	1	1
				Protocol Selection			
				XON/XOFF Industry Standard*			0
				XON/XOFF Intermec Standard			0
				Intermec auto Discriminate			1
				Intermec Multi-Drop			1
				Media Type			
				Direct Thermal*			0
				Thermal Transfer			1

Default settings are noted with an *

Default settings are noted with an *

44XXU.020

2

Operating the Printer

Use this chapter to understand how to use the front panel, load roll media, load thermal transfer ribbon, set the media sensitivity number, and communicate with the printer.

Learning How to Operate the Printer

To operate the printer, you need to understand:

Front Panel Light emitting diodes (LEDs) help you monitor the status of the printer. The Feed/Pause button performs various tasks.

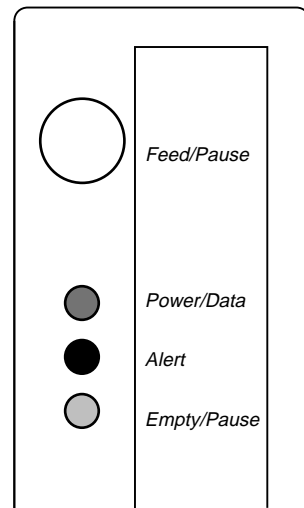
Loading Media and Ribbon Explains how to load a roll of media, thermal transfer ribbon, and the procedure for using the self-strip option.

Media Sensitivity Numbers Optimizes print quality and print speed.

Communications With the Printer Explains different methods for transferring information from the host to the printer and from the printer to the host.

Understanding the Front Panel

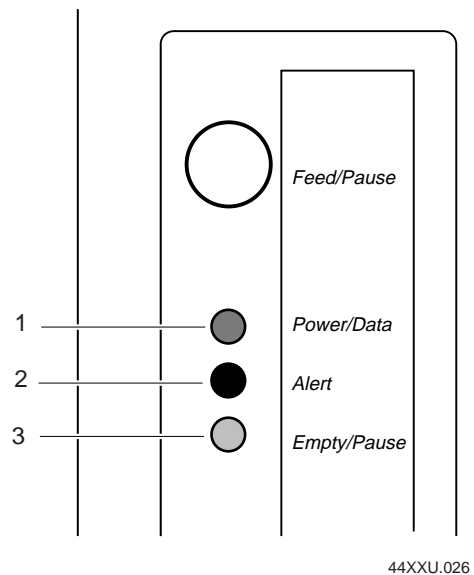
Use this section to understand the function of the front panel LEDs and the Feed/Pause button.



44XXU.025

Using the Front Panel LEDs

You use the front panel LEDs to monitor the status of the printer:



Number	LED	State	Indication
1	Power/Data	Off	Power off
		On	Power on
		Flashing	Receiving data
2	Alert	Off	Printing or idle
		Flashing	Over-temperature
		On	System fault
3	Empty/Pause	Off	Printing or idle
		Flashing	Paused
		On	Media fault

Using the Front Panel LEDs for Troubleshooting

Over-Temperature If the printer overheats, the Alert LED flashes and the printer stops. Do not try to troubleshoot or adjust the printer—just allow it enough time to cool down and it will resume operation on its own. You should only encounter this problem after extended print jobs.

Media or System Faults If the Empty/Pause or the Alert LED remains on, your printer is experiencing a media or system fault. See Chapter 4, “Troubleshooting,” for help in correcting the problem.

Using the Feed/Pause Button

The Feed/Pause button, located on the front panel of the 4420 or 4440 printer, performs several functions depending on the mode of the printer.

Printer Mode	You Want To	What to Do
Idle	Feed out one label or a minimum specified amount of media.	Press and release the Feed/Pause button.
	Continuously feed media.	Press and hold the Feed/Pause button. When you release the button, the media stops feeding.
	Take the printer offline.	Press the Feed/Pause button twice. Press the button again to bring the printer online.
Printing	Pause the printer.	Press and release the Feed/Pause button. Press and release the button again to resume printing.
	Cancel the current print job.	Press and hold the Feed/Pause button until the printer stops printing.
Powered on for the first time	Print the hardware configuration label.	Press and hold the Feed/Pause button. See "Printing the Hardware Configuration Test Label" in Chapter 1 for more information.

Loading Roll Media Into the Printer

Your 4420 or 4440 printer can print on rolls of thermal transfer or direct thermal media. The default setting for the printer is direct thermal mode. If you are using thermal transfer media, you need to change the media type setting and load a thermal transfer ribbon. For help loading the ribbon, see the next procedure "Loading Thermal Transfer Ribbon." To change the media type setting, see "Configuring the Serial Port for Communications" in Chapter 1.

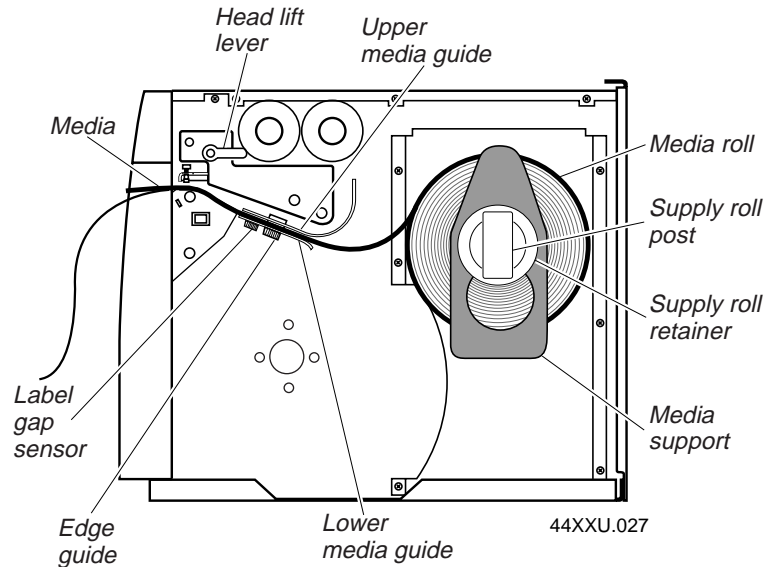
Note: You should find a small label with a three-digit sensitivity number printed on it attached to your roll of media or a 15 digit number stamped on the side of the media roll. Save this information. You will need it to set the correct media sensitivity number. See "Setting the Media Sensitivity Number" later in this chapter for help.

To load the media

1. Raise the printhead by rotating the head lift lever clockwise until the printhead disengages.
2. Turn the supply roll retainer counterclockwise to release it and then slide it to the outer end of the supply roll post. Turn it clockwise to lock it in place.

Note: If you are replacing the empty media roll with a new roll of the same width, you do not need to adjust the edge guide or the supply roll retainer.

3. Place the media roll on the supply roll post and position it firmly against the printer.
4. Insert the media support between the roll of media and the supply roll retainer before securing it.
5. Turn the supply roll retainer counterclockwise and slide it lightly up against the media support. Turn the supply roll retainer clockwise to secure.
6. Unscrew the edge guide and slide it all the way to the outer edge of the lower media guide. Screw it in place.
7. Pull down on the lower media guide to allow easy access to the media path.
8. Unroll several inches of media and insert it between the media guide plates as shown above. Make sure the label passes between the upper and lower media guides and out the front of the printer.

Loading Roll Media for Printing


9. Release the lower media guide and adjust the edge guide (by unscrewing it and sliding it) to position the media firmly against the inside wall of the printer.
10. Adjust the label gap sensor position if necessary. For help, see “Adjusting the Label Gap Sensor” in Chapter 5.
11. If you are using thermal transfer media, you need to load ribbon. Follow the instructions for “Loading Thermal Transfer Ribbon” later in this chapter before you finish performing this procedure.
12. Lower the printhead by rotating the head lift lever counterclockwise until it locks.
13. If you are loading continuous media or mark label stock, use PrintSet, your third-party software or the printer command set to tell the printer what kind of media you are using.
14. Press the Feed/Pause button to advance several inches of media through the printer and out the label opening in the front cover. Your printer is now ready to print labels.

Note: You will find a label located on the inside of the media cover with directions for loading media. For your convenience, you may want to refer to it when loading media in the future.

Loading Thermal Transfer Ribbon

If you plan to print in thermal transfer mode, you must install a thermal transfer ribbon (TTR) on the ribbon supply hub after you install the thermal transfer media.

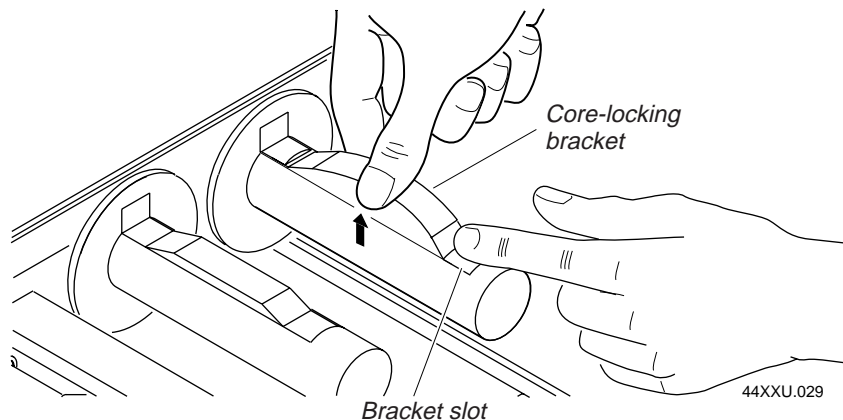
Note: Save the packaging that your ribbon came in. Attached to the ribbon packaging is a small label with a three-digit sensitivity number printed on it. You need this information to set the correct media sensitivity number. Refer to the next section "Setting the Media Sensitivity Number," for more information.

The core of your thermal transfer ribbon is either made of cardboard or plastic. You need to use the correct core-locking brackets for your ribbon core. The printer ships from the factory with the cardboard core-locking brackets already attached.

Note: If you do not use the correct core-locking brackets, you may experience printing problems or possible damage to the printer.

To change the cardboard core-locking brackets to plastic core-locking brackets

1. Pull up on the middle of the cardboard core-locking bracket (P/N 065375), while pushing down on one end with your index finger, until the end of the bracket is free of the ribbon hub.
2. Remove the other end of the bracket from the ribbon hub.
3. Slide one end of the plastic core-locking bracket (P/N 066792) into a bracket slot on the ribbon hub.
4. Lift up on the middle of the bracket and use your index finger to slide the other end of the bracket into the remaining bracket slot on the ribbon hub.



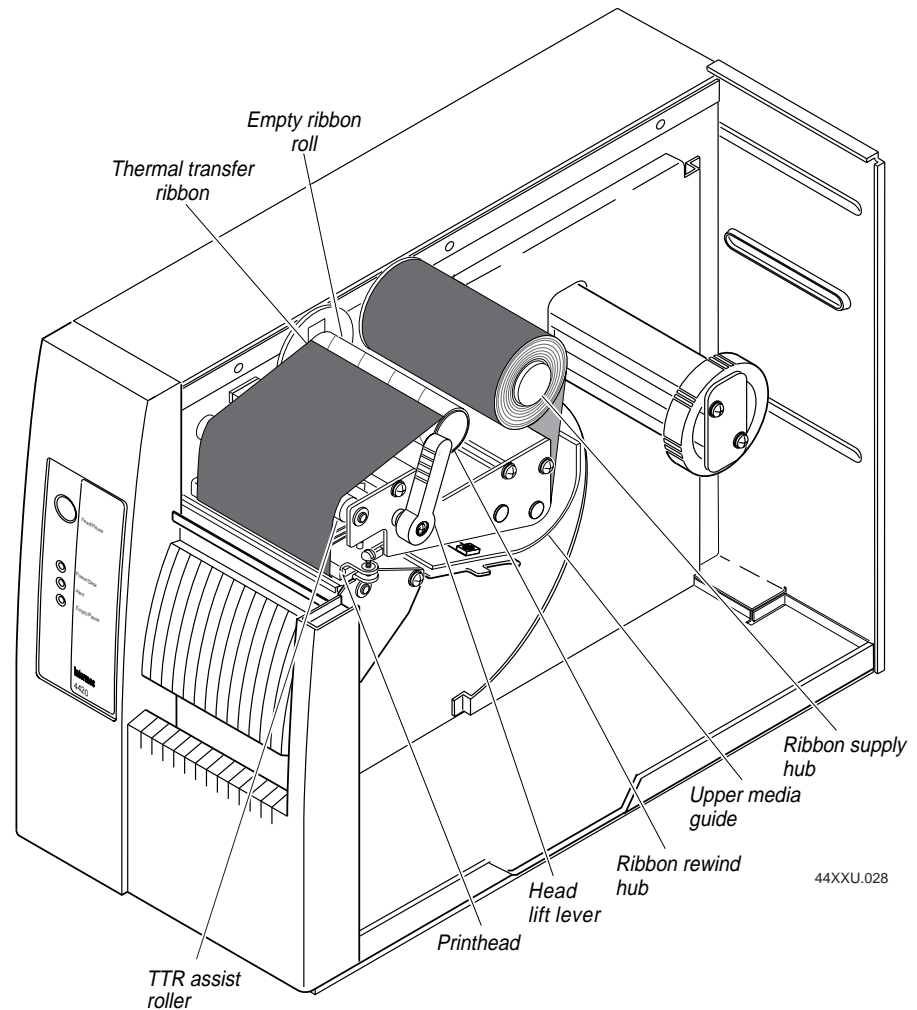
To load thermal transfer ribbon

1. Make sure you have raised the printhead. If not, turn the head lift lever clockwise until it releases the printhead.
2. Place the empty ribbon core that came with the printer onto the ribbon rewind hub.
3. Detach the leader from the new thermal transfer ribbon roll and unwind the end of the ribbon approximately 8 inches. The edge of the ribbon has a leader (with an adhesive strip on the leader edge) for guiding the ribbon through the printhead mechanism.
4. Slide the roll of thermal transfer ribbon onto the ribbon supply hub with the ribbon roll winding clockwise.
5. Route the ribbon leader through the printer mechanism as shown in the following illustration.
6. Attach the leader from the new thermal transfer ribbon roll to the empty ribbon core using the adhesive strip on the leader edge.

***Note:** Make sure the ribbon runs above the upper media guide. The shiny side of the ribbon must come in contact with the printhead.*

7. Wind the ribbon rewind hub clockwise until the ribbon runs smoothly through the printhead mechanism and the leader moves past the printhead.

Loading Thermal Transfer Ribbon



8. Engage the printhead by rotating the head lift lever counterclockwise until it locks.
9. Enable thermal transfer printing by setting DIP switch 8 on the bottom bank of switches to the on position. Refer to "Configuring the Serial Port for Communications" in Chapter 1 for DIP switch settings.
10. Press the Feed/Pause button to advance the ribbon through the printer. The printer is now ready to print.

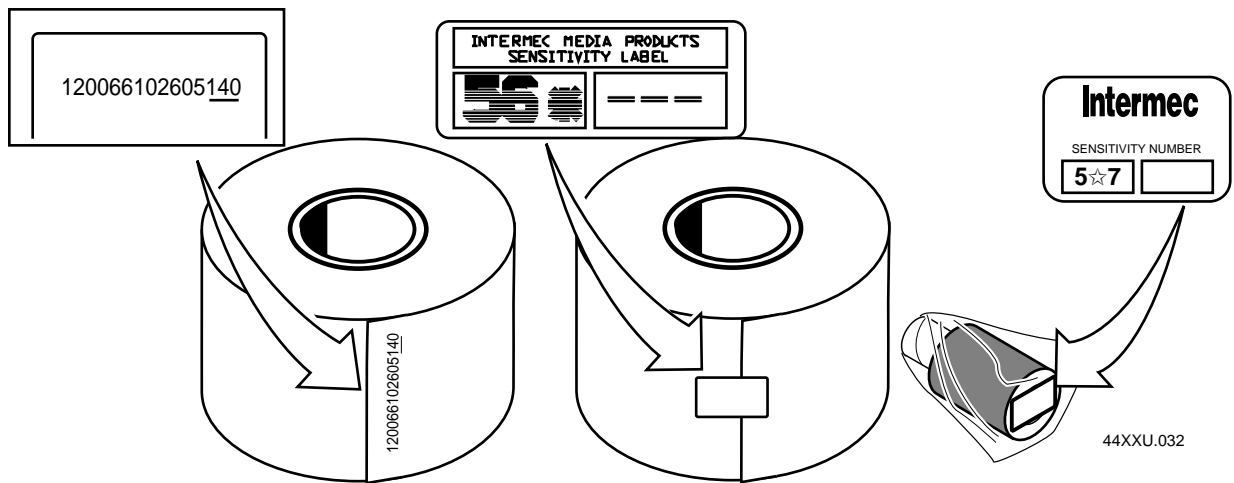
Note: When replacing the thermal transfer ribbon roll in the future, use the empty ribbon supply core as the new rewinder core.

Setting the Media Sensitivity Number

The media sensitivity number is important because you use it to optimize print quality and print speed. The three-digit media sensitivity number (MSN) specifies the amount of heat required by the printhead to image a label. The amount of heat that each roll of media or ribbon requires is unique due to different chemistries and manufacturing processes.

Intermec has developed heating schedules (the amount of heat required to image a label) to produce the highest possible print quality for Intermec media and ribbon combinations on Intermec printers. Look for the three-digit media sensitivity number on:

- the side of the media roll. Use the last three digits (140 in the example) of the 15 digit number stamped on the roll for the media sensitivity number.
- a small label attached to the roll of media.
- a small label attached to the plastic bag of your ribbon roll.



Note: Some ribbon rolls have the media sensitivity number printed inside of the core.

Use this three-digit number to optimize print quality and print speed on the printer. You can achieve the best print quality on the 4420 or 4440 printer by using only Intermec ribbon and media products. This table lists the default media sensitivity numbers:

Media Type	Default
Direct thermal media (2 to 5 ips)	470
Direct thermal media (6 to 8 ips)	740
Thermal transfer media (2 to 8 ips)	567

Use the PrintSet software, your third-party software, or the Intermec Printer Language (IPL) command set to change the media sensitivity number. If you do not know the sensitivity numbers for your media or ribbon, use the PrintSet Print Quality Assistant to help you choose the correct media sensitivity number. If you want to see the current sensitivity setting of your printer, print out a software configuration label.

To print a software configuration label

1. Turn off the printer.
2. Press and hold the Feed/Pause button while turning the printer on. The printer prints out a hardware configuration label.
3. Set the DIP switches to print out the software test label.
Top Bank Turn off switches 1 through 6 and 8. Turn on switch 7.
Bottom Bank Turn off switches 1 through 8.
4. Hold the Feed/Pause button down for 1 second. The printer prints out the software configuration label.
5. Return the DIP switches to their original settings.
6. Turn the printer off and then on again.

Setting the MSN for Intermec Media and Ribbon

The sensitivity number on each roll of thermal transfer media or ribbon has an asterisk (*) in place of one of the digits. To optimize the sensitivity number for thermal transfer media, you combine the digits as in this example.

Media or Ribbon	Sensitivity Number	Description
Thermal transfer media	56*	The asterisk reserves the third digit to identify the ribbon's sensitivity number.
Thermal transfer ribbon	5*7	The asterisk reserves the second digit to identify the media's sensitivity number.
	567	Optimized media sensitivity number

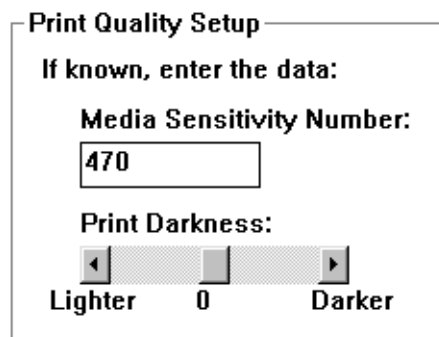
To set the sensitivity number for direct thermal media, use the three-digit sensitivity number located on the roll of media or listed in the Direct Thermal Media Sensitivity Settings table on page 2-14.

To set the media sensitivity number with PrintSet

1. Start PrintSet on your PC.
2. Click the Paper Type button:



3. In the Print Quality Setup dialog box, enter your three-digit number in the Media Sensitivity Number field.



4. Click OK.
5. Download your change to the printer by pressing the button to send command updates to the attached printer.



Setting the MSN for Other Media and Ribbon

If you are not using Intermec media and ribbon, or you misplaced your packaging with the three-digit sensitivity number label on it, you can set the approximate sensitivity rating. The first column of the Direct Thermal and Thermal Transfer Media Sensitivity Settings tables list the approximate sensitivity settings. To achieve acceptable print quality, enter the three-digit media sensitivity number (for example, 800).

If you are unsure of how to set the media sensitivity rating, start with the highest setting, which provides the lowest energy (800 for thermal transfer and 700 for direct thermal), and work your way down until you achieve the best print quality.

Note: Use the maximum recommended print speed only as a guideline. Optimize your individual print speed based on your media and the format that you want to print. If you exceed the maximum recommended print speed, you may notice reduced print quality.

Direct Thermal Media Sensitivity Settings

Approximate Sensitivity Ratings	Sensitivity Setting	Direct Thermal Media	Maximum Recommended Print Speed
700 Series High Sensitivity	740	Duratherm Lightning Plus 1	8
	720	Duratherm Lightning Plus 2	8
400 Series Medium Sensitivity	480	Duratherm Lightning IR Tag	5
	470	Duratherm Lightning-1	5
	460	European IR	5
	450	Duratherm IR Lightning-1	5
	440	European Thermal	5
	420	Duratherm Lightning-2	5
100 Series Low Sensitivity	180	Duratherm II-1	3
	170	European Tag	3
	160	Duratherm II Tag	3
	140	European Top	3
	130	Duratherm II-2	3

Thermal Transfer Media and Ribbon Sensitivity Settings

Approximate Sensitivity Ratings	Sensitivity Setting	Thermal Transfer Media (Media/Ribbon Stock)	Maximum Recommended Print Speed
800 Series High Sensitivity (Paper)	864	European Uncoated/Standard	8
	854	Duratran TTR Paper Labels/Standard-1	6
	834	Duratran TTR Paper Tags/Standard-1	6
600 Series Medium Sensitivity (Plastic)	687	Duratran TTR Polyester or Valeron/Premium-7	6
	683	Duratran TTR Polyester - II/Premium-7	6
	677	Duratran Syntran/Premium-7	6
	647	Duratran Tyvek/Premium-7	4
	643	European Tyvek/Premium	4
	633	European Polyethelene/Premium	8
	627	Duratran Kimdura/Premium-7	8
	623	European Kimdura/Premium	6
500 Series Medium Sensitivity (Paper)	567	Duratran II-1/Premium-7	8
	565	European Premium Paper/Premium	7
	563	Duratran VG/Standard	4
	533	European Tag/Premium	6
	527	Duratran II Tag-7 mil/Premium-7	6
	513	European Coated/Premium	6
300 Series Low Sensitivity (Plastic)	369	Super Premium Polyester/Super Premium-3	5
	366	Super Premium Polyester/Super Premium-7	5
200 Series Low Sensitivity (Kapton)	238	Gloss Polyimide (Kapton)/Gloss Super Premium	3
	236	Gloss Polyimide (Kapton)/Super Premium-7	3
	226	Matte Polyimide (Kapton)/Super Premium-7	3
	222	Matte Polyimide (Kapton)/Matte Super Premium	3

Communicating With the Printer

You are now ready to print labels by downloading data from the host to the 4420 or 4440 printer. *Downloading* is the universal term used to describe the transfer of information from the host to any connected peripheral device, such as the printer. When you transfer data from your printer to the host, you are performing a process called *uploading*.

You can use several methods to download information in your data collection system. The next sections describe different ways to communicate with the printer.

Using the PrintSet Software

Use the PrintSet application software supplied with your printer to easily configure your printer from your PC. You can also use PrintSet to:

- download graphics and fonts (including TrueType).
- print test labels.
- modify and download configuration files.

Refer to the online help for information on using PrintSet.

Using Third-Party Software

You can use third-party software to set many of the printer parameters. You can configure the parameters that your software does not set by using the printer command set or the configuration DIP switches.

Use your third-party software to create label formats and convert graphics into a user-defined character (UDC) format that the printer can interpret. Refer to your third-party documentation and the *IPL Programming Reference Manual* for more information.

Using Intermec Printer Language (IPL) Commands

You can create labels by downloading formats (designs) and data with IPL commands. You can use the IPL commands to perform any function or activate any feature of the printer except for those features or functions that you set with the DIP switches.

Note: For help using IPL commands, see the *IPL Programming Reference Manual*. You can find an electronic copy of the *IPL Programming Reference Manual* at www.intermec.com/manuals/manuals.htm.

Printing a Test Label to Test Communications

If you would like to test your communications by downloading a label, follow the example below. Use the PrintSet application software to send a test label to the printer.

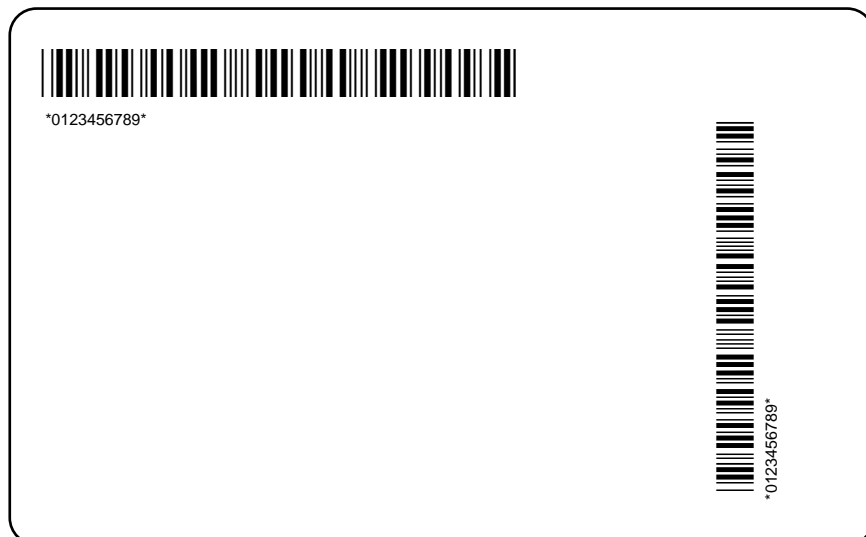
To print the test label

1. Start PrintSet on your PC.
2. Click the Test Print button.



3. Select the Test Label option button.
4. Select either the Text or the Bar Code option button.
 - If you select to print text, you can choose a font in the Select Printer Font list box.
 - If you select to print a bar code, you can choose a symbology in the Select Symbologies list box.
5. Click on the Print button. Your printer prints out a test label.

For example, if you chose to print a bar code with the Code 39 symbology, your printer prints out a label similar to this one:



44XXU.033

3

Maintaining the Printer

This chapter contains cleaning procedures and a schedule detailing how often to perform maintenance procedures. Even though the 4420 and 4440 printers can withstand harsh environments, you must clean them on a regular basis to maximize performance. It is very important to perform the maintenance procedures if you expose the printer to dirt or debris. For help replacing media or ribbon, see Chapter 1, “Getting Started,” and Chapter 2, “Operating the Printer.”

Inspecting the Printer

Inspect the printer and the rest of your data collection system equipment on a regular basis. Your inspection should include these tasks:

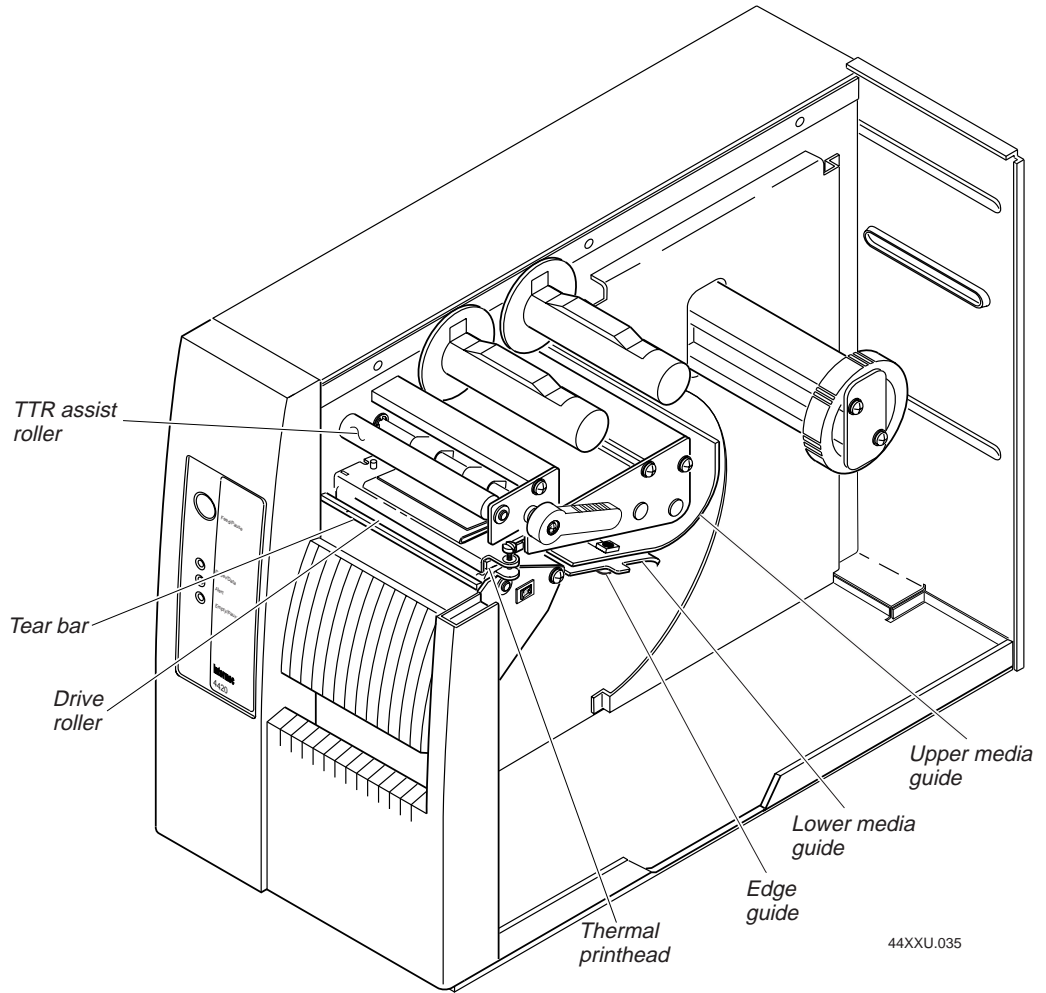
- Make sure you have properly grounded the printer.
- Inspect the work environment. Large electric motors, welders, and switching equipment can affect printer performance.
- Check the data collection network regularly for loose wires or poorly installed connections. Be sure to replace corroded wires.

Maintenance Schedule

Clean your printer regularly to maintain the quality of your labels and extend the life of your printer. This table contains suggestions for cleaning the printer. Use the illustration to locate the parts you need to clean.

Printer Component	Maintenance Period
Thermal printhead	Inspect after every roll of media. Clean after every roll of media (6,000 inches or 152 m) or ribbon (18,000 inches or 457 m). Clean more often if necessary.
Printer Cover (not shown)	Clean as necessary.
Drive roller and tear bar Media path (not shown) Edge guide Upper media guide Lower media guide Thermal transfer ribbon (TTR) assist roller Label gap sensor (not shown) Label mark sensor (not shown)	Clean after every six rolls of media. If you are using hi-tack adhesive, you must clean after every roll of media. Clean more often in environments that are harsh or dusty.

Locating the Printer Parts You Need to Maintain



Tools for Cleaning the Printer

To clean the printer safely and effectively, use these items:

- Isopropyl alcohol
- Cotton swabs
- Clean lint-free cloth
- Soft bristle brush or vacuum cleaner
- Soapy water or mild detergent

The following procedures explain how to access the printer parts and clean them without causing any harm to the printer or yourself.



Warning

Switch off the printer power and remove the power cord before cleaning any part of the printer.

Avertissement

Mettez l'imprimante hors tension et débranchez le câble d'alimentation avant de nettoyer une partie de l'imprimante.

Cleaning the Printhead

In order for the printhead to provide good print quality, it must maintain close contact with the media. Therefore, cleaning media debris from the printhead is very important. Clean after every roll of media (6,000 inches or 152 m) or ribbon (18,000 inches or 457 m). Clean more often if necessary.



Caution

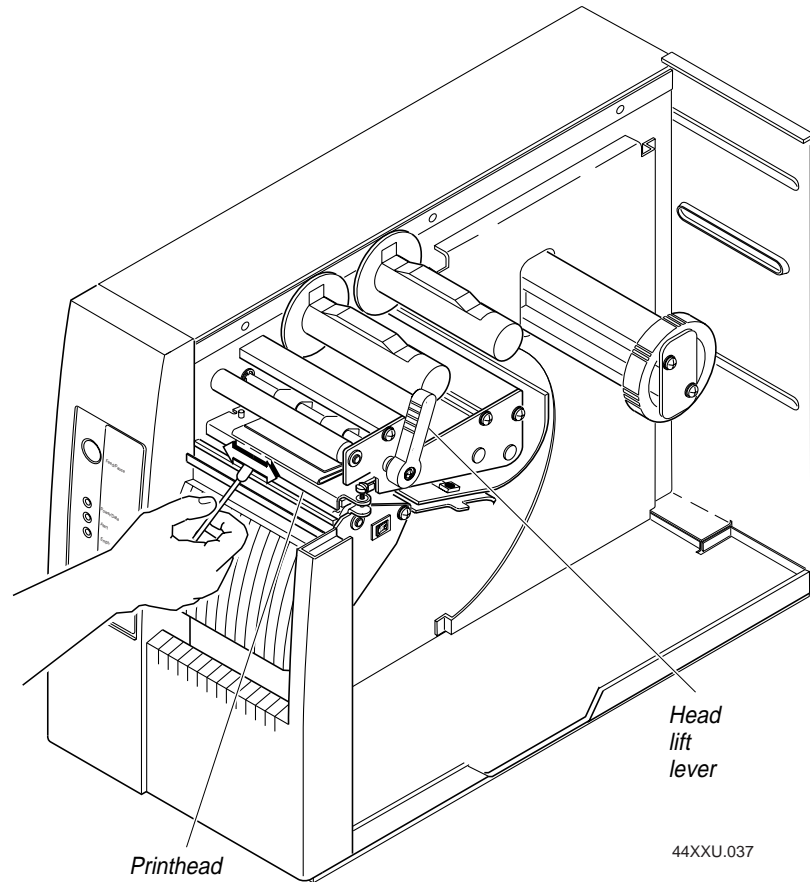
Do not use sharp objects such as knives or screwdrivers to scrape the printhead clean. Cleaning with sharp objects will damage the printhead. Clean with only a cotton swab, or a clean, lint-free cloth or tissue damp with isopropyl alcohol.

Conseil

N'utilisez pas d'objets pointus tels que couteaux ou tournevis pour nettoyer la tête d'imprimante. Nettoyer avec des objets pointus endommagera la tête d'imprimante. Nettoyez-la seulement avec de la ouate ou avec un linge propre et libre de peluches, humecté avec de l'alcool d'isopropyl.

To clean the printhead

1. Turn off the printer and remove the power cord.
2. Remove the media cover.
3. Disengage the printhead by rotating the head lift lever clockwise until the printhead releases. This raises the printhead so that you can clean it.
4. Remove the media and ribbon if necessary.
5. Use a cotton swab moistened with alcohol to remove any dirt, adhesive, or debris from the print surface on the bottom of the printhead.
6. Wait 5 to 10 seconds for the print surface to dry. Replace the media and ribbon.
7. Engage the printhead by rotating the head lift lever counterclockwise until it locks in place.
8. If you are finished cleaning, replace the media cover.

Cleaning the Printhead

Cleaning the Printer Covers

Clean the printer covers with a general purpose cleaner (soapy water or mild detergent). Do not use abrasive cleansers or solvents. Be sure to clean the transparent panel on the media cover so that the media supply inside the printer is visible when you close the cover.

Cleaning the Rollers and the Tear Bar

Cleaning the rollers and the tear bar preserves print quality by ensuring close contact between the media and the printhead.

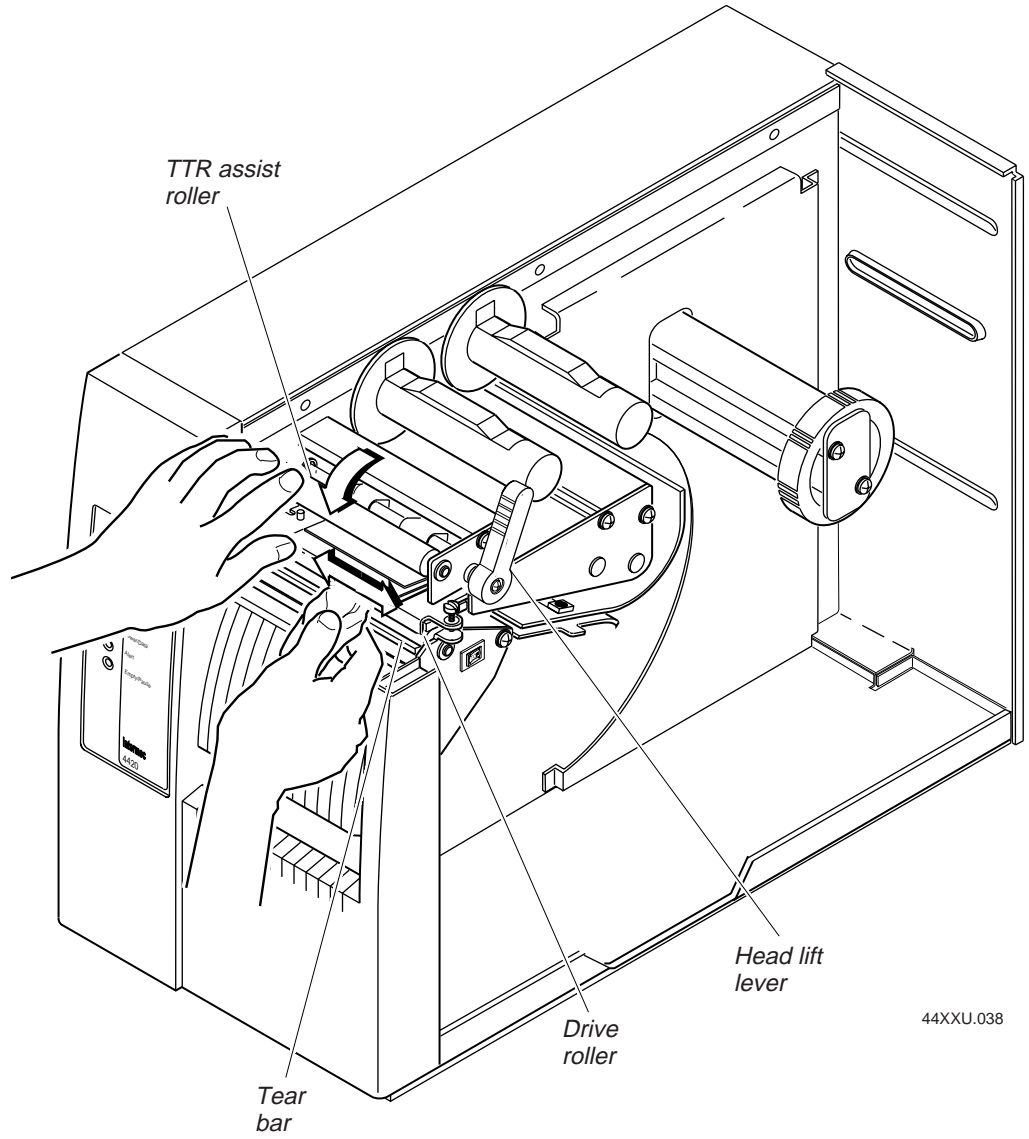
To clean the rollers and tear bar

1. Turn off the printer and remove the power cord.
2. Remove the media cover.
3. Rotate the head lift lever clockwise to release the printhead.
4. Remove media and ribbon (if necessary).
5. Clean the rollers by using a cloth moistened with isopropyl alcohol. Move the cloth over the rollers in a side-to-side motion as shown. Make sure to rotate the rollers so that you can clean all areas.

Note: Rotate the TTR assist roller toward you to clean the entire drive roller surface.

6. Clean both sides of the tear bar with a cloth dampened with isopropyl alcohol. Remove all traces of dust, paper, and adhesive.
7. Replace the media and ribbon.
8. Engage the printhead by turning the head lift lever counterclockwise until the printhead locks.
9. If you are finished cleaning, replace the media cover.

Cleaning the Rollers and Tear Bar



44XXU.038

Cleaning the Media Guides and Media Path

You should clean the media guides and media path regularly to keep debris off the media surface and printhead where irregularities can spoil print quality or damage the printhead. Cleaning the guides also prevents the media from skewing or improperly tracking as it travels through the media path, which can result in smeared images and print off the side of the label. Always clean the media guides immediately after a label jam in the printer.

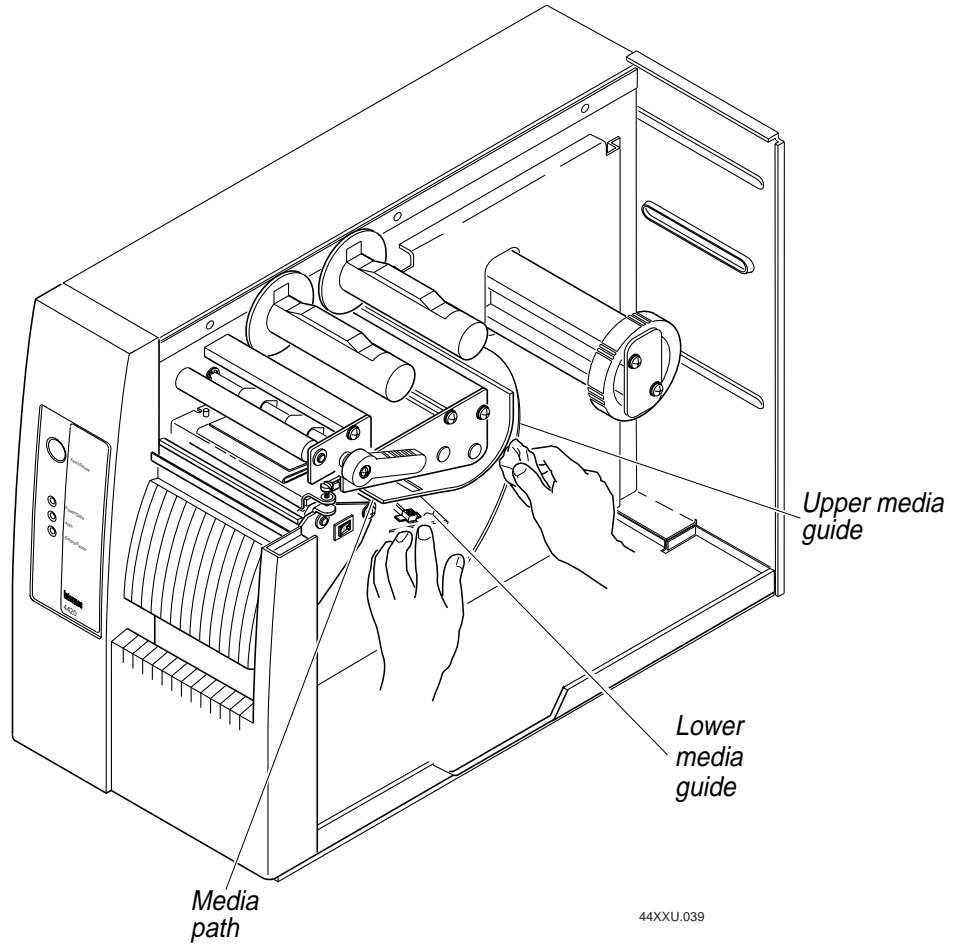
To clean the media guides and media path

1. Turn off the printer and remove the power cord.
2. Remove the media cover.
3. Remove the media and ribbon (if necessary).
4. Pull down on the lower media guide to open up the media path.
5. Clean the lower media guide by using a lint-free cloth moistened with isopropyl alcohol as shown in the following figure.

Note: The lower media guide is spring loaded. You must hold it open to clean.

6. Use the cloth moistened with isopropyl alcohol to clean the upper media guide. Be sure to remove all traces of debris.
7. Remove all traces of dust, paper, and adhesive from the media path with a soft bristle brush or vacuum.
8. Clean the flat surfaces of the media path (including the edge guide) with a lint-free cloth and isopropyl alcohol.
9. Release the lower media guide.
10. If you are finished cleaning, replace the media cover.

Cleaning the Media Path and Media Guides



Cleaning the Label Sensors

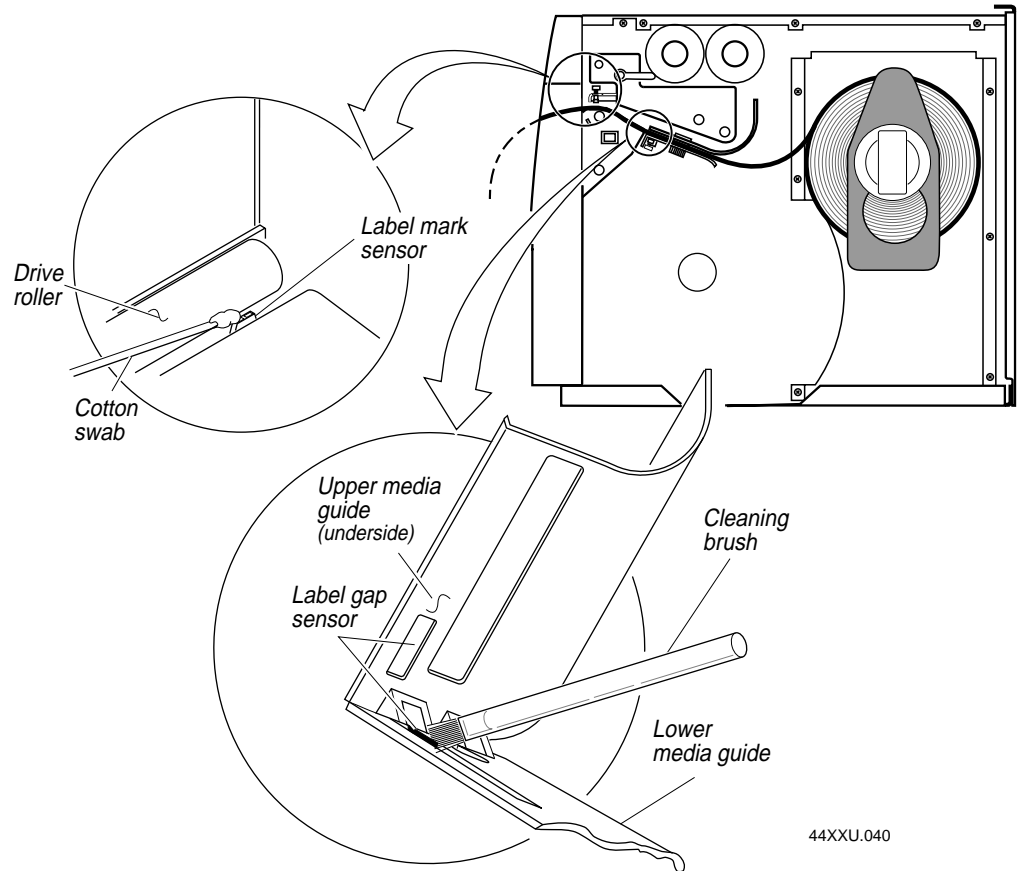
Two label sensors on the printer require regular cleaning:

- Label mark
- Label gap

To clean the label sensors

1. Turn off the printer and remove the power cord.
2. Remove the media cover.
3. Disengage the printhead by rotating the head lift lever clockwise until the printhead releases.
4. Remove the media and ribbon (if necessary).
5. Clean label mark sensor with a cotton swab moistened with isopropyl alcohol.
6. Pull down on the lower media guide to expose the label gap sensor. Using a cleaning brush or vacuum, remove all debris and dust from the label gap sensor.
7. Clean the upper and lower label gap sensor with a cotton swab and alcohol.
8. Replace the media and ribbon.
9. Engage the printhead by rotating the head lift lever counterclockwise until it locks in place.
10. If you are finished cleaning, replace the media cover.

Cleaning the Label Sensors



4

Troubleshooting

This chapter provides some hints for troubleshooting error messages that the printer sends to the host and problems you may experience with the printer.

Troubleshooting Checklist

You may have printer operation, print quality, or printer communications problems at some time during the life of your printer. It is easy to fix most of the problems and consequently not delay operation of the printer for very long.

To troubleshoot your printer

1. First try cleaning the printer components and checking all of the connections. See Chapter 3, "Maintaining the Printer," for details.
2. If cleaning the printer and checking the connections does not solve the problem, use the following tables to locate the symptom. Follow the solution in the table to fix your problem.

If you receive an error message, refer to the *IPL Programming Reference Manual* (Intermec Part No. 066396) for a complete list of error messages and their solutions. An electronic copy of the *IPL Programming Reference Manual* is available on the Internet at www.intermec.com/manuals/manuals.htm.

If the problem persists, contact your Intermec customer service representative. In the U.S. call 1-800-755-5505, and in Canada call 1-800-688-7043. If you are an international customer, contact your local Intermec representative.

Printer Operation Problems

If your printer is not operating correctly, try locating the problem in the table below:

Symptom	Possible Causes	Solution
No power or loss of power.	You have damaged or disconnected the AC power cable.	Make sure you have plugged the power cable into both the printer and an outlet or power strip. Replace the cable if damaged.
	Printer circuit breaker tripped.	Turn the printer off, then back on again.
Labels stop feeding through the printer.	Printer is out of media.	Load new media. Refer to Chapter 1, "Getting Started," or Chapter 2, "Operating the Printer."
	You have loaded the label stock incorrectly.	Check the media path. See Chapter 1, "Getting Started," or Chapter 2, "Operating the Printer."

Printer Operation Problems (continued)

Symptom	Possible Causes	Solution
Labels stop feeding through the printer. (continued)	You have set the printer for continuous label stock.	Use PrintSet to check the configuration settings. If the settings are incorrect, use PrintSet to change the settings.
	Media is sticking to the paper path.	Clear any extraneous material from the paper path and clean it thoroughly. Refer to Chapter 3, "Maintaining the Printer."
Printer slows down.	You have incorrectly set the image bands or print speed.	Use PrintSet to change the image bands or print speed settings.
	Printer has aborted and reset the print speed and image bands.	Use PrintSet to change the image bands or print speed settings.
The Alert LED flashes and printing stops.	Printhead has overheated.	Leave printer alone until it has time to cool down. It will resume printing on its own.
Media fault.	The printhead is up.	Make sure the printhead is down. The head lift lever should be almost straight up and down (in the 1 o'clock position). Press the Feed/Pause button to resume printing.
	Sensor type set incorrectly.	Configure the printer for the correct sensor, either label gap or label mark sensor. Use PrintSet to configure the correct sensor.
	You have incorrectly loaded the media.	Try reloading the media. For help, see "Loading Roll Media Into the Printer" in Chapter 2.
	Printer is out of media.	Load new media. For help, see "Loading Roll Media Into the Printer" in Chapter 2.
	One of the sensors is incorrectly located.	Adjust the label gap sensor or the label mark sensor to the correct location for the label stock you are using. For help, see "Adjusting the Label Gap Sensor" or "Adjusting the Label Mark Sensor" in Chapter 5.
	Media type is set incorrectly.	Make sure the DIP switch for media type is set correctly. For help, see "Configuring the Serial Port for Communications" in Chapter 1.
	Test configuration label does not print.	You have incorrectly loaded the media. Try reloading the media. For help, see "Loading Roll Media Into the Printer" in Chapter 2.

Printer Operation Problems (continued)

Symptom	Possible Causes	Solution
Test configuration label does not print. (continued)	Media fault.	See possible media fault causes and solutions above.
	You have configured the printer for self-strip media.	Set the printer to the default configuration using the DIP switches. For help, see “Connecting the Printer to a Power Source” in Chapter 1.
Printer is not communicating, not printing, or not printing properly.	Corrupt or incorrect information in the printer memory.	Reset the memory to return the printer to its default configuration. For help, see “Using Memory Reset” in Chapter 6. After you reset the memory, power off the printer and return the DIP switches to the required setting. For help, see “Configuring the Serial Port for Communications” in Chapter 1.

Print Quality Problems

If your labels are not being printed properly, check the following table to locate the symptom and correct the problem.

Symptom	Possible Causes	Solution
Blotches printing on labels.	Dirty printhead.	Clean the printhead. For help, see “Cleaning the Printhead” in Chapter 3.
	Dirty media path or rollers.	Clean the media path. For help, see “Cleaning the Media Guides and Media Path” in Chapter 3.
	Poor quality label or ribbon stock.	Use only Intermec label and ribbon stock to ensure superior print quality and product performance.
Printing is too light or too dark.	Incorrect darkness adjust control setting.	Adjust the control to achieve the best print quality. For help, see “Adjusting the Print Darkness” in Chapter 5.
	Incorrect media sensitivity setting.	Change sensitivity setting to match the type of media you are using (for help, see “Setting the Media Sensitivity Number” in Chapter 2). If you set the sensitivity setting correctly, try changing the dark adjust.

Print Quality Problems (continued)

Symptom	Possible Causes	Solution
Printing is too light or too dark. (continued)	Poor quality label or ribbon stock.	Use only Intermec label and ribbon stock to ensure superior print quality and product performance.
	Dirty printhead.	Clean the printhead. For help, see "Cleaning the Printhead" in Chapter 3.
Printing not aligned on label.	Printer is misfeeding media.	Make sure you have correctly installed the media. For help, see "Loading Roll Media Into the Printer" in Chapter 2.
Labels are not stopping at the right point for removal.	Incorrect label rest point setting.	Adjust the label rest point. For help, see your PrintSet online help or the <i>IPL Programming Reference Manual</i> .
Print quality is poor.	Incorrect media sensitivity setting.	Change sensitivity setting to match the type of media you are using. If you set the sensitivity setting correctly, try changing the print darkness. For help, see your PrintSet online help or the <i>IPL Programming Reference Manual</i> .
	Incorrect darkness control setting.	Adjust the darkness adjust control. For help, see "Adjusting the Print Darkness" in Chapter 5.
	Print speed exceeds the capability of the media.	Lower your print speed or use Intermec media recommended for your print speed.
	Printhead, platen roller, or label path are dirty.	Clean printhead, platen roller, and label path as described in Chapter 3, "Maintaining the Printer."
	Uneven print contrast (density).	Adjust the bias adjust screw. See "Correcting Uneven Print Quality" in Chapter 5.
	Poor quality label or ribbon stock.	Use only Intermec label and ribbon stock to ensure superior print quality and product performance.
	Ribbon wrinkling.	Check to make sure that you installed the ribbon correctly. For help, see "Loading Thermal Transfer Ribbon" in Chapter 2. Adjust the bias adjust screw. See "Correcting Uneven Print Quality" in Chapter 5.
	Ribbon installed upside down.	Make sure you installed the ribbon correctly. For help, see "Loading Thermal Transfer Ribbon" in Chapter 2.

Print Quality Problems (continued)

Symptom	Possible Causes	Solution
Print quality is poor. (continued)	You are using the wrong core-locking bracket on your ribbon hub.	Use the plastic core-locking brackets for plastic core ribbons and the cardboard core-locking brackets for cardboard core ribbons. For help, see “Loading Thermal Transfer Ribbon” in Chapter 2.
	Direct thermal/thermal transfer switch set in the wrong position.	Set the switch for the type of media you are using. For help, see “Loading Roll Media Into the Printer” in Chapter 2.
	You have exceeded the maximum recommended print speed.	Reduce the print speed.
	Media may be slipping against the platen roller causing the printing to compress.	Switch to approved media or clean the printhead and platen roller as described in Chapter 3, “Maintaining the Printer.”
The printer skips labels randomly or sends an intermittent error.	The label format extends beyond the label length.	Edit the format to ensure that the text fits on the label.
	The label gap sensor is not in the correct position.	Properly position the label gap sensor. For help, see “Adjusting the Label Gap Sensor” in Chapter 5.
Label prints too close to front or back edge of label.	The top of form position is not adjusted properly.	Use the top of form switch to adjust the top of form position. For help, see “Fine-Tuning the Top of Form Position” in Chapter 5.
Continuous media fault light.	The label mark sensor is not in the correct position.	Properly position the label mark sensor. For help, see “Adjusting the Label Mark Sensor” in Chapter 5.

Communication Problems

If your printer is not receiving downloaded data, try the solutions in the accompanying table.

Symptom	Possible Causes	Solution
Printer does not communicate with the host.	Serial port is incorrectly configured.	Make sure the printer’s serial port settings match those of the host. Print a software test configuration label as described in Chapter 1 to check the serial port settings.
	Damaged or incorrect I/O cable.	Check the connections at both ends or replace the cable. See Appendix C for cable information.

Preventing Data Loss

Several problems can cause data loss or communications problems on the 4420 or 4440 printer. Data loss can result in printing errors or missing field data.

The printer is a serial ASCII device. It communicates with the host through an ASCII serial communications I/O port. Hardware handshaking involves the use of a hardware wire. Software handshaking involves a two-way datalink between the devices. The two devices communicate with each other without losing data through the use of handshaking. The printer sends both forms of handshaking simultaneously when the printer's input buffer is full. Any loss of data can cause printing errors or missing data.

Hardware handshaking uses pins 11 or 20 of the RS-232 interface to control data flow. When the printer is using Intermec Standard protocol, it holds pins 11 and 20 high when it is ready to receive data. The printer holds the pins low when it is in one of the following conditions:

- Buffer full
- Ribbon fault
- No label stock
- Label at strip pin

The printer uses XON/XOFF protocol for software handshaking. When the input buffer is full, the printer transmits an XOFF character. This character alerts the host to the fact that the printer buffer is full and cannot receive any more data. When the printer is ready to receive more data, it sends the XON character.

To check for communications problems

1. Check the cabling from the printer to the host system.
2. Check the communications interfacing of the devices connected to the printer.
3. Check the printer for proper electrical operation of the I/O port.
4. Ensure the host system is not overrunning the printer input buffers.
5. Ensure the data string being sent to the printer contains the correct information.

5

Optimizing Printer Performance

This chapter explains how to optimize and maintain print quality, use printer memory more efficiently, and maximize throughput.

Optimizing and Maintaining Print Quality

Intermec designed and configured your printer to provide the best possible print quality for both direct thermal and thermal transfer media. The 4420 and 4440 printers use Precision Print technology to perform high registration printing, which means that the printer can control the placement of the label image as it prints. Precision Print technology tracks the media through the media path and automatically makes adjustments to keep the label image printing in the same horizontal position from the leading edge of each label. You can also manually adjust the printer to perform registration tasks such as correcting uneven print quality.

The following sections contain information on:

- Correcting uneven print quality
- Adjusting the print darkness
- Fine-tuning the top of form position
- Adjusting the label gap sensor
- Adjusting the label mark sensor
- Using the printer memory efficiently
- Increasing throughput

Correcting Uneven Print Quality

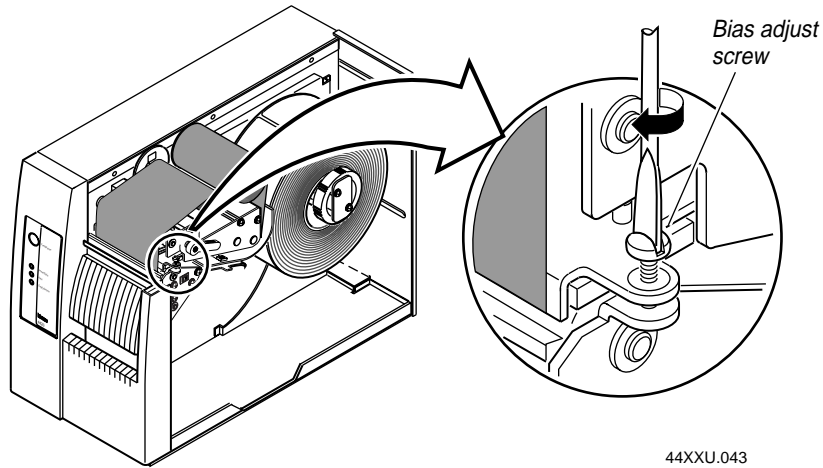
You may experience problems in print quality (ribbon wrinkling or light print on one side of your label) if the printhead is not making even contact with the label stock. This condition can happen with any size label stock, but is most common when using narrow label stock. You need a straight-slot screwdriver to turn the bias adjust screw.

To achieve the best print quality, adjust the bias adjust screw each time you use media of a different width.

Note: *You must properly adjust the bias adjust screw to prevent premature printhead failure and excessive platen wear.*

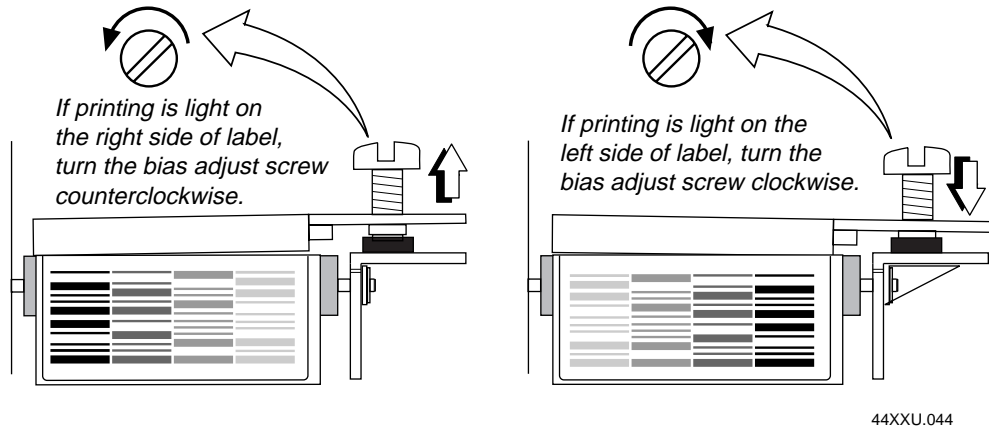
To adjust the bias adjust screw

1. Remove the media cover and locate the bias adjust screw.



2. To compensate for uneven print quality, turn the bias adjust screw as shown.

Adjusting the bias adjust causes the printhead to rest evenly on the drive roller and results in even print quality.



3. Replace the media cover.

Adjusting the Print Darkness

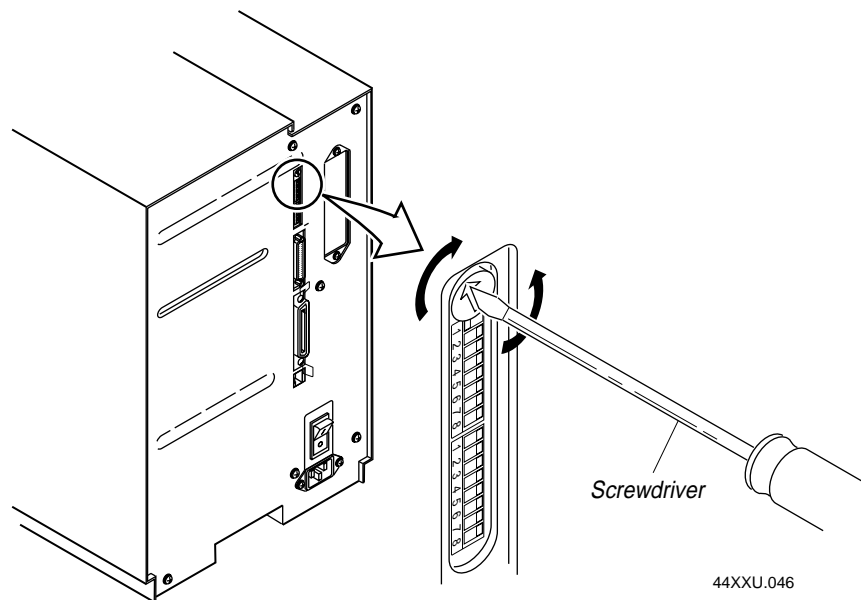
Use the darkness adjust control in combination with the Print Darkness adjustment in PrintSet to fine-tune the darkness of print on your labels. The fine adjustments compensate for variations in the media (“lot to lot”), the printhead, or the printer. Set the darkness adjust control after you enter the media sensitivity number.

For the best results in adjusting the print darkness (energy to the printhead), perform these procedures in order:

1. Set the correct sensitivity number.
2. Adjust the manual darkness adjust control on the back of the printer.
3. Adjust the Print Darkness setting in PrintSet.

To adjust the manual darkness adjust control

1. Locate the darkness adjust control on the back of the printer.
2. Use a small straight-slot screwdriver to adjust the print darkness:
 - To increase the print darkness, turn the control clockwise.
 - To decrease the print darkness, turn the control counterclockwise.



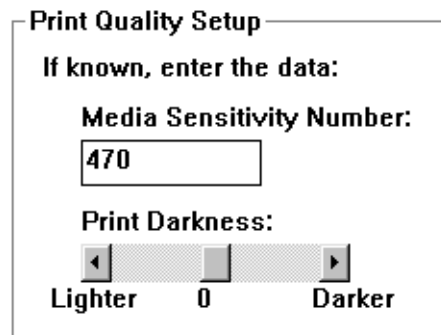
The print darkness adjust in PrintSet is similar to the dark adjust available on a copier. An increase in print darkness increases the energy to the printhead and results in darker print. A decrease in print darkness decreases the energy to the printhead and results in lighter print.

To adjust the print darkness with PrintSet

1. Start PrintSet on your PC.
2. Click the Paper Type button:



3. In the Print Quality Setup dialog box, adjust the Print Darkness slider bar until the setting that you want appears underneath it.



You can adjust the print darkness from + 10 to -10.

4. Click OK.
5. Download your change to the printer by pressing the button to send command updates to the attached printer.



Fine-Tuning the Top of Form Position

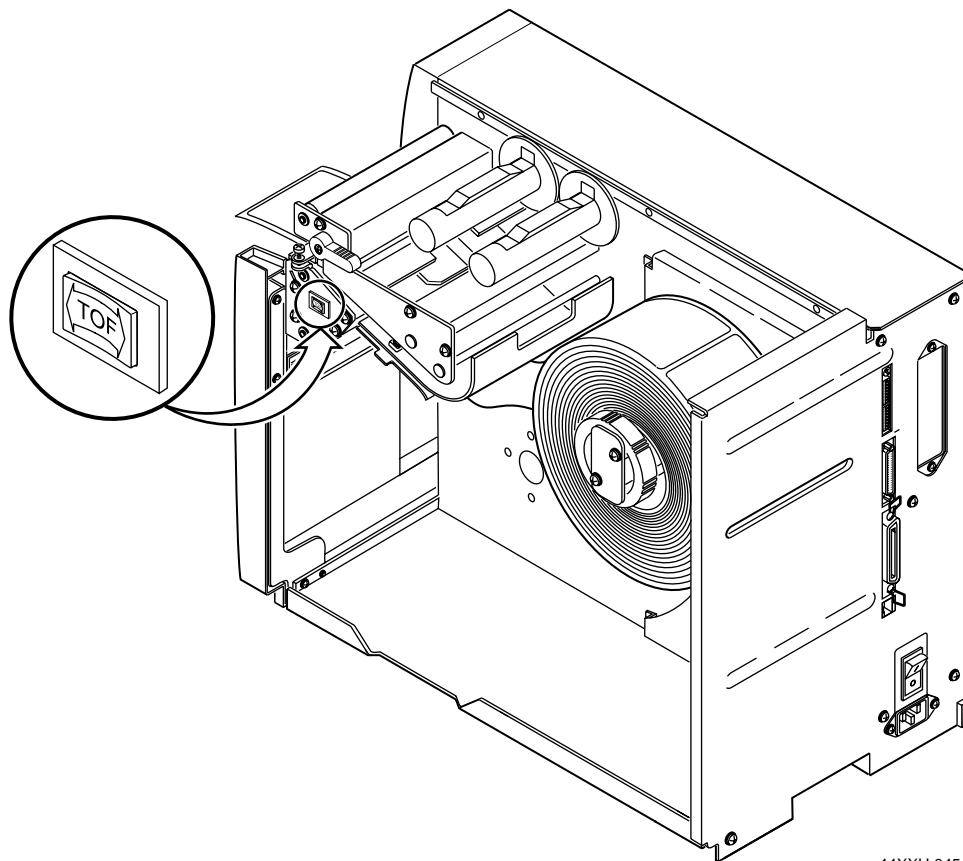
If your label format prints too close to the front or back edge of the label, you can fine-tune the position with the top of form (TOF) switch. The TOF switch controls the position of the format forward or backward along the length of the label.

Only use the TOF switch to fine-tune your label format position. Do not use the TOF switch to design your label format. This is important because the printer returns to the default TOF setting when you:

- cycle printer power.
- lift the printhead.

Use the TOF switch to fine-tune the format position after you design the label. Use PrintSet or the IPL top of form command to control the initial TOF setting. For help on using the top of form command, see the PrintSet help or the *IPL Programming Reference Manual*.

The TOF switch is a small rocker switch located on the lower outboard plate of the printer.



44XXU.045

To move a label format backward with the TOF switch

Note: You will see the new format position on the second label you print after pressing the TOF switch.

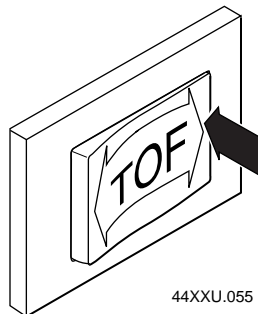
You notice that your format is printing toward the front part of the label.



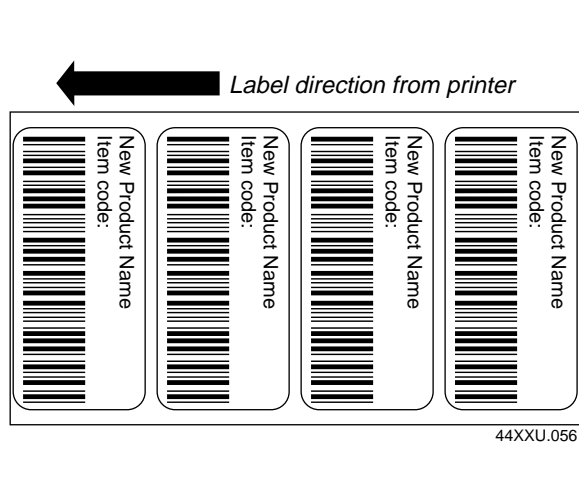
1. Remove the media cover.

Note: Do not raise the printhead while adjusting the TOF position.

2. Press on the back part of the TOF switch. Each time you press the TOF switch, you move the label format backward 0.005 inch (0.127 mm).

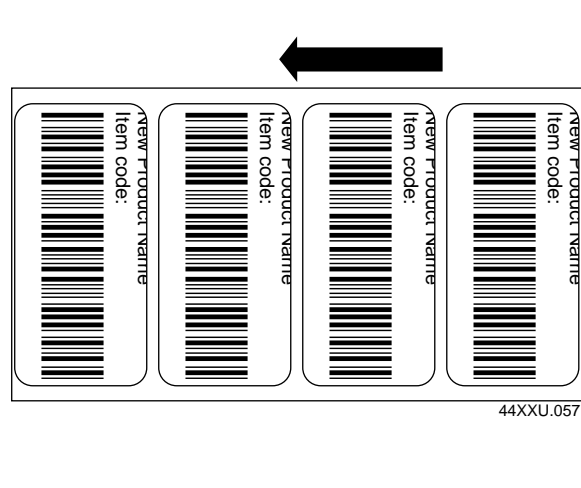


- Press the TOF switch repeatedly until your format moves backward to the correct position on the label.



To move a label format forward with the TOF switch

You notice that your format is printing toward the back part of the label.

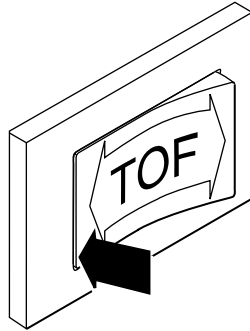


- Remove the media cover.

Note: Do not raise the printhead while adjusting the TOF position.

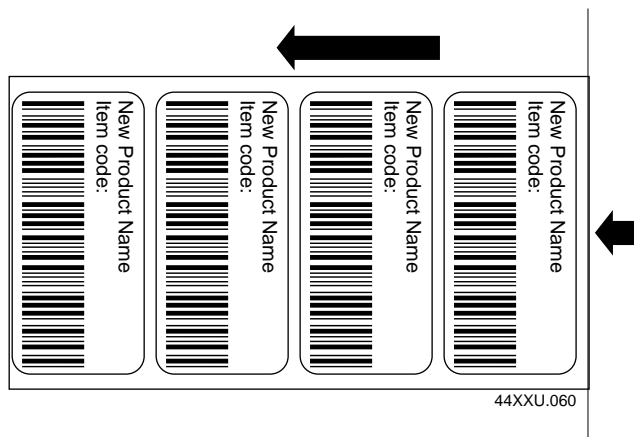
4420 and 4440 Bar Code Label Printer User's Manual

2. Press on the front part of the TOF switch. Each time you press the TOF switch, you move the label format forward 0.005 inch (0.127 mm).



44XXU.059

3. Press the TOF switch repeatedly until your format moves forward to the correct position on the label:



44XXU.060

Adjusting the Label Gap Sensor

If you experience problems such as the printer skipping labels or the printer stopping and the yellow LED flashing, you may need to adjust the label gap sensor. You are most likely to experience any of these problems if you are using very narrow label stock and the label gap sensor is not in the correct position. You can adjust the label gap sensor from 0 to 1.0 inch from the inner edge of the printer.

Note: *Intermec sets the label gap sensor to 0.5 inch from the inner edge of the printer at the factory. You should be able to leave it in this position for most labels wider than 1.0 inch.*

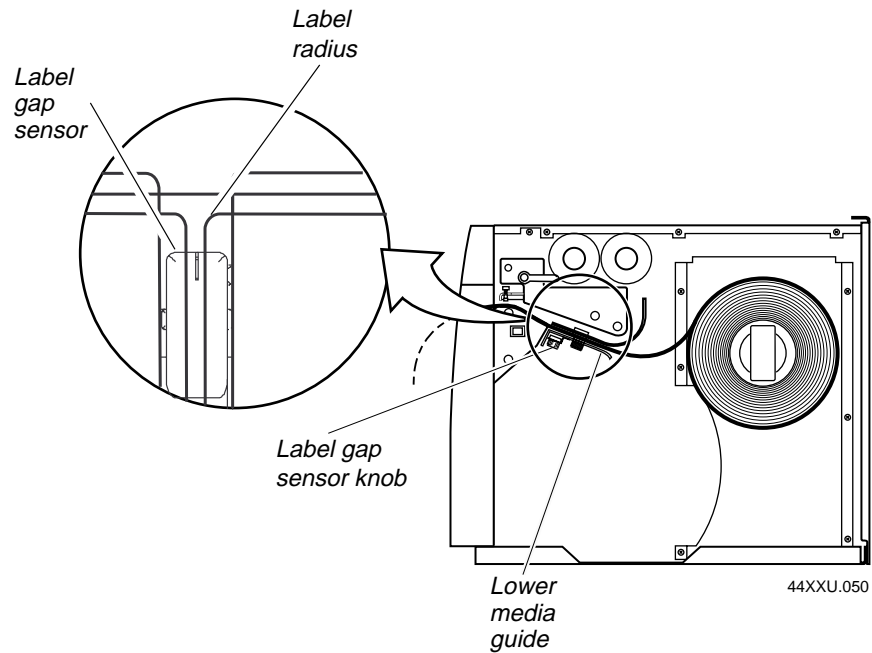
To adjust the label gap sensor

1. Remove the media cover.
2. Turn the label gap sensor knob approximately 1/2 turn counterclockwise to free the sensor for adjustment.
3. Slide the label gap sensor knob to the position where the label gap sensor is optimized for your label stock.

Here are some guidelines for you to follow:

- If your labels are less than 1.0 inch wide, position the label gap sensor in the middle of the label.
- If your labels are greater than 1.0 inch wide, position the label gap sensor over the straight edge of the label (not over the label radius).

Adjusting the Label Gap Sensor



4. Turn the label gap sensor knob clockwise to secure it in the new position.
5. Try printing a label to see if the printer is detecting the start of the label (top of form).
6. If the printer is still not detecting the top of form, slide the label gap sensor a little further toward the outer edge of the lower media guide.
7. Replace the media cover.

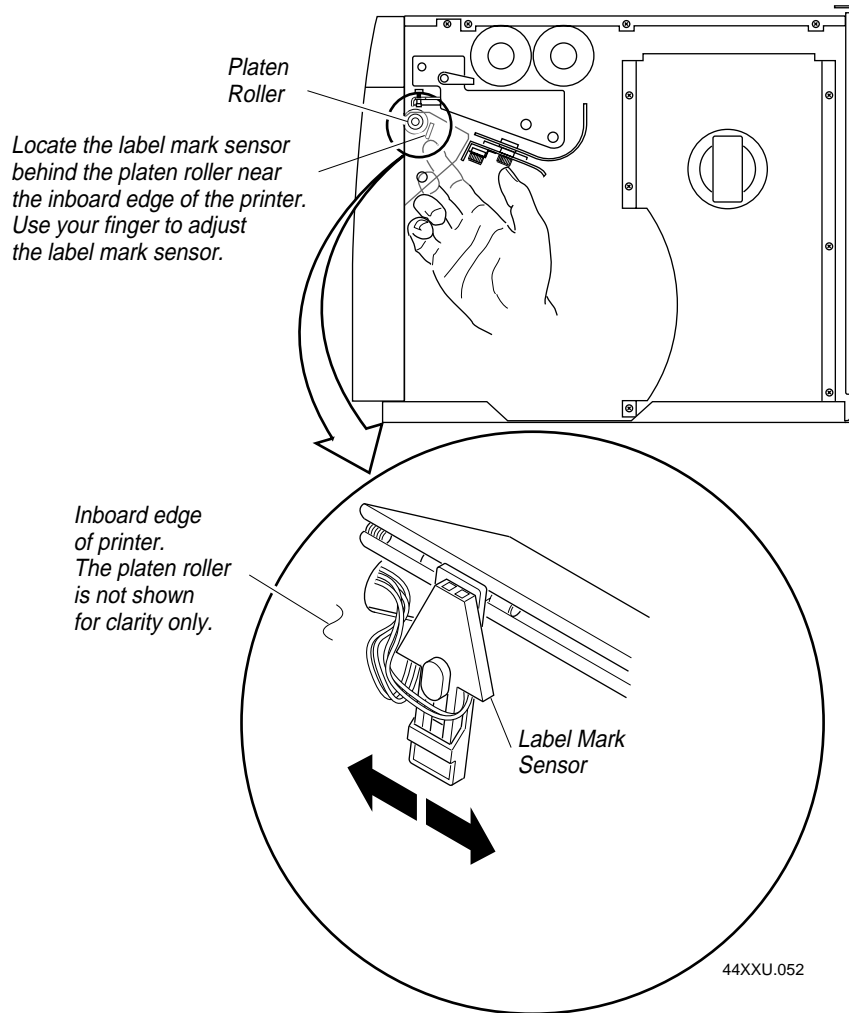
Adjusting the Label Mark Sensor

The label mark sensor detects the mark on the back of continuous media stock. The printer uses the output to determine the start of print. The label mark sensor is behind the platen roller and near the inboard edge of the printer. You can position the label mark sensor no more than 2.5 inches from the inboard edge of the printer.

To adjust the label mark sensor

1. Remove the media cover and locate the label mark sensor.
2. Use your index finger to slide the label mark sensor to the correct position for your media. You can position the label mark sensor anywhere from the inboard edge of the printer to the center of the paper path.
3. Print a few labels to make sure that the label mark sensor is detecting the black mark on the media.
4. Replace the media cover.

Adjusting the Label Mark Sensor



Using the Printer Memory Efficiently

To receive the best performance from your 4420 or 4440 printer, you must understand how to use the printer memory. The following sections can help you determine the most efficient way to use your printer memory.

How Is the Printer Storage Memory Used?

There is enough storage memory in the printer to store several different label formats and still retain enough memory to store downloaded fonts, graphics, and data. Be careful of how you use your printer memory.

The printer uses flash memory for storing tables, pages, formats, fonts, and user-defined characters (UDCs). The 4420 and 4440 printers have 128K of flash memory available for storage. If you require additional storage memory, you can purchase flash SIMM for the printer.

The printer supports these parameters independent of the amount of memory installed or allocated by the printer:

- Maximum number of formats: 99
(You can edit formats 1 to 99. You cannot edit default format 0.)
- Fields per format: 200
- Maximum data buffer size for a field: 3550
- Maximum number of UDCs: 100
- Maximum number of user-defined fonts: 16

Making the Most of Your Memory

There are limits to the number of formats, fonts, graphics, or pages that you can store in the printer. You can define up to 16 fonts, but there may not be enough room depending on the amount of memory being used for other purposes. The more formats, graphics, and fonts you store, the less memory is available.

When you run into a memory usage problem, use PrintSet to see how much memory remains available. You must upload the memory information from the printer first. Refer to the PrintSet online help for more information.

If you find that it is necessary to increase your available memory, you can do one of the following:

- Increase the amount of available memory by using the Memory Reset portion of the Test and Service menu. See “Using Memory Reset” in Chapter 6 for more information.
- Delete any unneeded user-defined fonts, graphics, pages, or formats. For help, see the PrintSet software or the *IPL Programming Reference Manual*.
- Purchase additional memory. Please contact your Intermec representative for information on purchasing additional memory for the printer.

Increasing Throughput

To print labels as quickly as possible, you must adjust the print speed in conjunction with the number of image bands (one image band equals 1 inch of label). The print speed and image band settings determine the rate at which the printer processes the images of your labels. This rate in turn affects the throughput of the entire printing process.

The printer begins imaging the label as soon as it receives the command to select a format. Since the printer starts imaging the label so early, the chance that the imaging process will be unable to keep up with the print speed decreases and throughput improves. However, if the number of image bands is too low, the imaging process is unable to keep up with the print speed. In this case, the printer stops printing and starts again at the lowest print speed with the maximum number of image bands. If the image band command is set too high, the printer spends more time than necessary imaging and slows down label production.

What Is an Image Band?

Image bands are a section of memory where a picture of a label format is drawn. This drawing process is known as imaging. Once the picture is imaged, the printer loads the picture from the image bands to the printhead for printing. Each image band is equal to 1 inch of length of the label format. The number of image bands you use may be less than the length of the label you are printing. The number of image bands (in inches) does not have to equal the length of the label since the printer recycles the image bands. Once the contents of an image band have been printed, it may be reused to image the next section of the label.

Keep in mind that the more complex the label, the longer it will take to image each section, thus requiring a slower print speed. To use a higher print speed, use more image bands to allow more of the imaging process to complete before printing begins.

How the Image Bands Command Works

The image bands command controls the amount of memory allotted to the imaging process. When you increase the image band adjustment to a higher number, you add more buffers to the imaging memory. By doing this, more of the label format is imaged before printing begins.

The minimum number of required image bands is dependent upon the print speed and the complexity of the label. Labels that contain numerous fields with different rotations, graphics, or combinations of these formatting options may require a higher number of image bands.

To set the number of image bands, use PrintSet or the IPL command. For help, see the PrintSet online help or the *IPL Programming Reference Manual*.

Optimizing Print Speed and Image Band Setting

The maximum number of image bands available for use is 20 bands. The minimum number of image bands available is 2.

To optimize the number of image bands for your print speed

1. Set the image band setting at the lowest number (2).
2. Print a label at the desired speed.

If the label prints, the image band setting is optimal. You do not need to perform any more adjustments.

If the number of image bands is too low, the printer aborts the label before printing is completed and attempts to reprint the label at the slowest speed (2 ips) with the highest number of image bands (20). You need to continue with Step 3.

3. Return to the original print speed and increase the original number of image bands one at a time.

Continue to increase the number of image bands until the printer prints a label correctly.

If the printer still aborts and reprints at the highest image band setting, you may be trying to optimize at a print speed that is too high for your label format. Try optimizing the number of image bands at a lower print speed or add an expansion DRAM SIMM.

To print very complex labels at high speeds, you must allocate enough image bands to completely image the label before printing. Allocate one band for each inch of label length. By doing this, you can print at any speed. However, there may be a considerable delay between labels.

6

Using Test and Service Mode

This chapter explains the different procedures you can perform while the 4420 or 4440 printer is in Test and Service mode. Use Test and Service mode on the printer to print test labels, perform special procedures such as cloning, and change some configuration commands.

Using Test and Service Mode Procedures

The printer remains in Test and Service mode until you turn off the power and reset the DIP switches. The printer executes all functions as soon as you select them. For all Test and Service mode procedures, pressing the Feed/Pause button pauses the current function.

To enter Test and Service mode

1. Turn off the printer.
2. Press and hold the Feed/Pause button while turning on the power.

The printer prints out a hardware configuration label and then enters Data Line Print mode.

3. Set the DIP switches to the test or service function you wish to perform. See the following table for a list of the DIP switch settings.
4. Hold the Feed/Pause button. The test begins immediately.
5. If you want to perform another function, change the DIP switch settings and press the Feed/Pause button.

The function the printer is currently executing terminates, and the printer performs the new function.

To exit Test and Service mode

1. Turn off the printer.
2. Reset the DIP switches to their original settings.
3. Turn on the printer.

Use the information in the following table to set the DIP switches for the appropriate Test and Service mode function you want to perform.

4420 and 4440 Bar Code Label Printer User's Manual

Test and Service Mode DIP Switch Settings

	Top Bank								Bottom Bank							
	OFF								ON							
TESTS	1	2	3	4	5	6	7	8	1	2	3	4	5	6	7	8
Test Prints	O O O															
Configurations																
Hardware*									O O							
Software									1 O							
Test Labels	1 O O															
Print Quality									O O							
Pitch									1 O							
Page	O 1 O O O															
Single Page									N N N N N							
All Pages									1 1 1 1 1							
Format	1 1 O O O															
Single Format									N N N N N							
All Formats									1 1 1 1 1							
UDC	O O 1 O O															
Single UDC									N N N N N N N							
All UDCs									1 1 1 1 1 1 1							
Font	1 O 1 O O															
Single Font									N N N N N N							
All Fonts									1 1 1 1 1 1							
Data Line Print	*1 O O O O O O O															
Selective Transfer	1 1 O															
Send Pages	1 O O															
Single Page									S S							
All Pages									1 1							
Send Format	O 1 O															
Single Format									S S							
All Formats									1 1							
Send UDC	1 1 O															
Single UDC									S S							
All UDCs									1 1							
Send Font	O O 1															
Single Font									S S							
All Fonts									1 1							
Send Configuration	1 O 1															
Send Tables	O 1 1															
Send All	1 1 1															
Memory Reset	O O 1															
Page/Format	O O O															
UDC/Font	1 O O															
Configuration	O 1 O															
Tables	1 1 O															
All	1 1 1															

Q: OFF = Batch of 1. ON = Batch of 100.
 N: Page/Format/UDC/Font number. Least significant bit is switch 8.
 S: Source Page/Format/UDC/Font number. Least significant bit.
 D: Destination Page/Format/UDC/Font number. Least significant bit.

Default settings are noted with an * 44XXU.061

Printing Test Labels

The 4420 or 4440 printer can print a variety of test print labels that provide you with information about the printer configuration and the quality of the printing.

To print a test label

1. Turn off the printer.
2. Press and hold the Feed/Pause button while turning on the printer.
The printer prints out a hardware configuration label and then enters Data Line Print mode.
3. Set the DIP switches to print out the test label of your choice: software, print quality, or pitch. Refer to the Test and Service DIP Switch Settings table for the correct settings.
4. Hold the Feed/Pause button down until the printer starts printing.
The printer begins printing out the test label immediately.
5. Exit Test and Service mode by turning the printer off and returning all DIP switches to their original settings.

Using Data Line Print Mode

Use Data Line Print mode to troubleshoot communications between the printer and host, and to test the operation of the printer. When the printer is in Data Line Print mode, it prints all downloaded data with the hexadecimal equivalent directly underneath it. Hold the Feed/Pause button down momentarily to suspend the test. Press the Feed/Pause button longer to transmit the firmware program and version number to the host.

To enter Data Line Print mode

1. Turn off the printer.
2. Press down and hold the Feed/Pause button while turning on the printer.

The hardware configuration test label prints. You are now in Data Line Print mode.

Performing Selective Transfer

If you want to copy select formats, pages, fonts, or graphics to another printer but you do not want to clone the entire RAM contents, use the selective transfer command. Use this command to set up different printers to print the same label formats.

Using the selective transfer command, you can download the following label design attributes from one 4420 or 4440 printer to another:

- Any specified page or all pages
- Any specified format or all formats
- Any specified font or all fonts
- Any specified user-defined character (UDC) or all UDCs

Set the serial port DIP switch settings to 115,200 baud, even parity, 1 stop bit, and 8 data bits. If you are transferring pages or fonts, the destination and source numbers can be different. If you are transferring formats or UDCs, the destination and source number must be the same.

To perform selective transfer

1. Turn off the sending and receiving printers.
2. Set the serial port on both the sending printer and the receiving printer to 115,200 baud, even parity, 1 stop bit, and 8 data bits.
3. Turn on the receiving printer.
4. Press down and hold the Feed/Pause button while turning on the printer. The hardware configuration test label prints.
5. Connect the serial ports of the sender and receiver ports together with an RS-232 null modem cable. For help, refer to "Connecting the Printer to Your System" in Chapter 1 and "Communications Interfaces" in Appendix C.
6. Set the DIP switches on the sending printer and receiving printer for selective transfer as shown in the table of Test and Service Mode DIP Switch Settings on page 6-4.
7. Select the type of data that you wish to transfer (such as pages, formats, fonts, or UDCs) by setting the corresponding DIP switches shown in the table on page 6-4.
8. Press the Feed/Pause button on the sending printer to initiate selective transfer. When the Power/Data LED stops flashing, the selective transfer is complete.
9. Exit Test and Service mode by turning off the printer and returning all DIP switches to their original settings.

Using Memory Reset

Use memory reset if you want to return the printer to its default configuration or if you need to increase the amount of memory available in your printer. You can also use memory reset to clear pages and formats, user-defined characters and fonts, configurations, tables, or all of these parameters.

To use memory reset

1. Turn off the printer.
2. Set the DIP switches to reset a portion or all of the memory by using the Test and Service Mode DIP Switch Settings table on page 6-4.
3. Press and hold the Feed/Pause button while turning on the printer. The printer prints out a hardware configuration test label.
4. Hold the Feed/Pause button down for 1 second. The printer resets a portion or all of its memory.
5. To exit Test and Service mode, turn off the printer.
6. Reset the DIP switches to their original setting and then turn on the printer.

Note: You can also use the Test and Service command (D) to reset all printer RAM.

Setting Configuration Commands in Test and Service Mode

Test and Service mode also provides you with an alternative way to change configuration commands besides sending configuration commands down from the host. You can change the following configuration commands by setting the Test and Service mode DIP switches:

- Label rest point
- Emulation mode
- X forms adjust
- Y forms adjust

The following table provides you with the Test and Service mode DIP switch settings for changing the configuration commands.

Configuration DIP Switch Settings

	Top Bank								Bottom Bank							
	1	2	3	4	5	6	7	8	1	2	3	4	5	6	7	8
O = OFF	OFF															
1 = ON	ON															
Label Rest Point	O	1	1						N	N	N	N	N			
Adjust Forward				O					N	N	N	N	N			
Adjust Backward				1					N	N	N	N	N			
Emulation	1	O	1													
5.0 mil Advanced mode					O	O										
10 mil 86XX mode					1	O										
15 mil 86XX mode					1	1										
X Forms Adjust	1	1	1	1												
Adjust Forward						O			N	N	N	N	N			
Adjust Backward						1			N	N	N	N	N			
Y Forms Adjust	1	1	1	O					N	N	N	N	N			
N: Number. Least significant bit first.																

44XXU.062

Setting the Number of Dot Increments

You can move the label rest point and X forms adjust configuration commands forward or backward by setting the printer DIP switches. Use the top bank of DIP switches to determine whether the movement is forward or backward. Use the bottom bank of DIP switches to set the number of dot increments for label rest point, X forms adjust, and Y forms adjust. The printer moves in 5 mil increments or 0.005 inch per dot.

Note: The table below shows only the settings for the bottom bank of switches. See the Configuration DIP Switch Settings table on the previous page for the top bank DIP switch settings.

Dot Increments DIP Switch Settings

		Bottom Bank				
		OFF	ON	ON	ON	ON
		1	2	3	4	5
0 = OFF						
1 = ON						
# of Dot Increments		1	2	3	4	5
1		1	0	0	0	0
2		0	1	0	0	0
3		1	1	0	0	0
4		0	0	1	0	0
5		1	0	1	0	0
6		0	1	1	0	0
7		1	1	1	0	0
8		0	0	0	1	0
9		1	0	0	1	0
10		0	1	0	1	0
11		1	1	0	1	0
12		0	0	1	1	0
13		1	0	1	1	0
14		0	1	1	1	0
15		1	1	1	1	0
16		0	0	0	0	1
17		1	0	0	0	1
18		0	1	0	0	1
19		1	1	0	0	1
20		0	0	1	0	1
21		1	0	1	0	1
22		0	1	1	0	1
23		1	1	1	0	1
24		0	0	0	1	1
25		1	0	0	1	1
26		0	1	0	1	1
27		1	1	0	1	1
28		0	0	1	1	1
29		1	0	1	1	1
30		0	1	1	1	1

44XXU.063

To set the number of dot increments

1. In the top bank, turn the appropriate switches on or off for forward or backward movement. See the Configuration DIP Switch Settings table on page 6-8 for the appropriate DIP switch settings.
2. Go to the Dot Increments DIP Switch Settings table on page 6-9. Scan down the # of Dot Increments column until you reach the number of dot increments you want to adjust the command forward or backward.
3. In the bottom bank, turn on the switches that have a 1 in their column. Turn off all other switches.
4. Press the Feed/Pause button and the printer prints out the software configuration label and stops at the new location.

For example, you print a label and discover that it does not extend far enough from the tear bar. You need to move the label rest point forward 10 dot increments (0.05 inch) so that the printer feeds more label out when it finishes printing. Find 10 in the # of Dot Increments column. It shows a 1 in the columns of DIP switches 2 and 4, and a 0 in the columns of 1, 3, and 5. The 1 tells you to turn on the switch. The 0 tells you to turn off the switch. Turn on switches 2 and 4. Turn off all other switches.

Adjusting the Label Rest Point

The Label Rest Point configuration command adjusts the point at which the printer presents each label for removal. Use this command in conjunction with self-strip applications. The label rest point adjust range is from -30 5 mil increments (furthest back) to +30 5 mil increments (furthest forward). Use a negative number if you want the printer to retract the label a number of dot increments after it prints the label. Use a positive number if you want the printer to feed the label a number of dot increments after it prints the label.

There are three ways to adjust the label rest point:

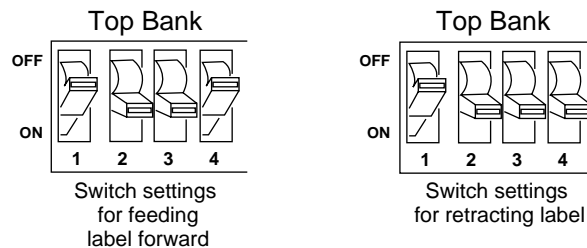
- You can use the Test and Service DIP switch bank. Follow the procedure below to use the DIP switch settings to adjust the label rest point.
- You can set it by using the PrintSet application software. See the Paper Handling portion of PrintSet for more information.
- You can use the IPL command. See the *IPL Programming Reference Manual* for more information.

To adjust the label rest point

1. Turn off the printer.
2. Press and hold the Feed/Pause button while turning on the printer.
The printer prints out a hardware configuration label and then enters Data Line Print mode.
3. In the top bank of the Test and Service mode DIP switches, turn off switch 1 and turn on switches 2 and 3.

To adjust the label rest point forward (feed more label), turn off DIP switch 4.

To adjust the label rest point backward (retract label), turn on DIP switch 4.



44XXU.064

4. In the bottom bank of the Test and Service mode DIP switches, turn on or off the appropriate DIP switches. See the Dot Increments DIP Switch Settings table on page 6-9.
5. Press the Feed/Pause button.
The printer prints out the software configuration label and stops at the new location.
6. Verify that the Label Rest Point number on the software configuration label matches the number you set in Step 4.
7. Try printing again to see if you need to readjust the DIP switches in the bottom bank.
8. If you need to readjust the DIP switches in the bottom bank, repeat Steps 4 through 6. If not, exit Test and Service mode by turning off the printer, returning all DIP switches to their original settings, and turning on the printer.

Setting Emulation Mode

If you are replacing an Intermec 8636 or 8646 printer with a 4420 or 4440 printer, you can keep your existing network, hardware, software, and label formats by using Emulation mode. The labels your 4420 or 4440 printer produces will look just like the labels that your 86XX printer prints.

There are three ways to set the printer to Emulation mode:

- Use the DIP switches in the Test and Service DIP switch bank. For help, see the following procedure.
- Use PrintSet to select either 100 dpi (10 mil) or 66 dpi (15 mil) mode. For help, see the PrintSet online help.
- Use the IPL command set to select Emulation mode. For help, see the *IPL Programming Reference Manual*.

To set the printer to Emulation mode using DIP switches

1. Upload label formats, fonts, and graphics from the 8636 or 8646 printer to the host computer.
2. Turn off the printer.
3. Disconnect the 86XX printer and install the 4420 or 4440 printer. See Chapter 1 for information on installing the 4420 or 4440 printer.
4. Press and hold the Feed/Pause button while turning on the printer. The printer prints out a hardware configuration label.
5. In the top bank of the Test and Service mode DIP switches, turn on switches 1 and 3 and turn off switch 2.
6. Use the table below to help you choose the appropriate DIP switch settings:

Setting	Description
86XX 10 mil	The printer emulates an 8636 or 8646 printer printing multiples of 10 mil (0.01 inch) drag and picket bar codes.
86XX 15 mil	The printer emulates an 8636 or 8646 printer printing multiples of 10 mil (0.01 inch) drag and picket bar codes.
Advanced 5 mil (4420 default)	The printer uses the 4420 command set and prints in multiples of 5 mil (0.005 inch) drag and picket bar codes.
Advanced 2.5 mil (4440 default)	The printer uses the 4440 command set and prints in multiples of 2.5 mil (0.0025 inch) drag and picket bar codes.

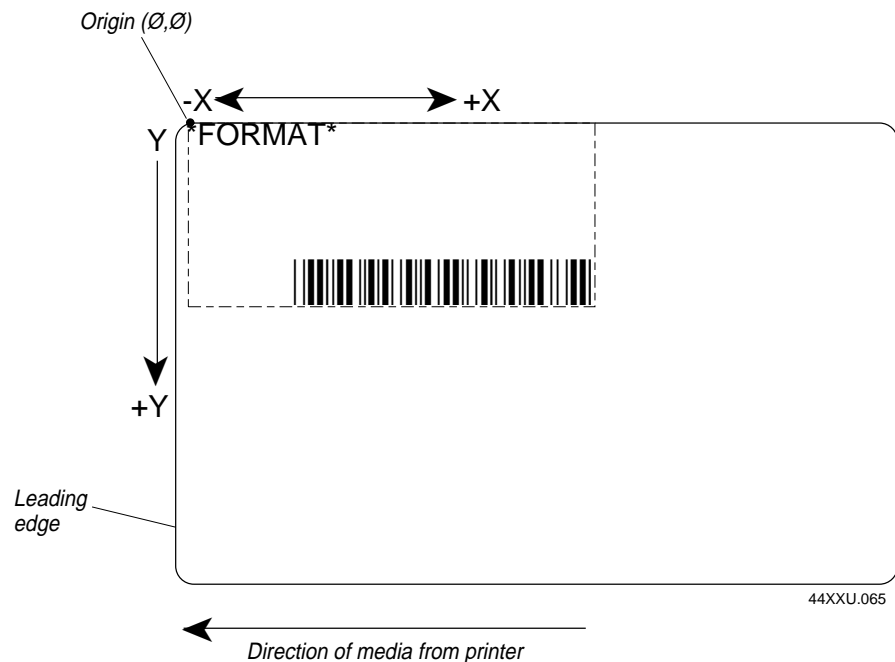
- To enable 10 mil emulation, turn on DIP switch 4 and turn off DIP switch 5.
- To enable 15 mil emulation, turn on DIP switches 4 and 5.

- To enable 5 mil Advanced mode, turn off DIP switches 4 and 5.
 - To enable 2.5 mil Advanced mode, turn off DIP switch 4 and turn on DIP switch 5.
7. Press the Feed/Pause button.
The printer prints out the software configuration label. Verify that the label states the correct mode.
 8. Turn off the printer.
 9. Reset the DIP switches to the original settings and then turn on the printer.
 10. Download the 86XX formats, fonts, and graphics from the host to the 4420 or 4440 printer.

Using Forms Adjust

If your label prints too close to one edge, you can reposition it by using the X forms adjust and Y forms adjust features. The X forms adjust controls the position of the printing area along the length of the label. The Y forms adjust controls the position of the printing area along the width of the label.

The following figure shows the default X and Y origins. You can control the default X origin (top of form) with PrintSet or with the Test and Service DIP switches. You can control the default Y origin with the DIP switches only.



Note: An image printed on direct thermal media may have an X origin position which is slightly different than the same image printed on thermal transfer media. Always use X forms adjust and Y forms adjust with the same media type that you plan to use for printing labels.

The default X origin is 0.10 inch (20 dot increments) from the leading edge of the label. You can move the X origin forward or backward 30 increments, where each increment is 5 mil.

The default Y origin is 0.00 inch from the edge of the label. You can move the Y origin down 30 increments, where each increment is 5 mil.

X Forms Adjust

Use the X forms adjust to control the position of the label format along the length of the label. When you move the X origin forward, the printer moves the format away from the leading edge of the label. When you move the X origin backward, the printer moves the format closer to the leading edge of the label. It is easier to use the TOF switch to move the origin forward or backward, but your printer will reset itself to the default position if you lift the printhead or cycle printer power.

To set the X forms adjust

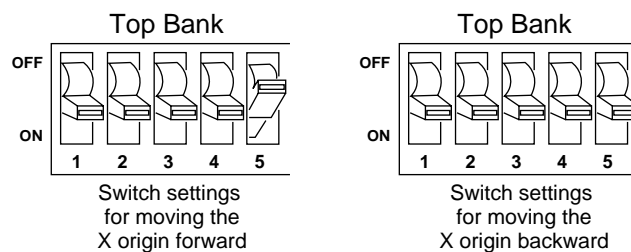
1. Turn off the printer.
2. Press and hold the Feed/Pause button while turning on the printer.

The printer prints out a hardware configuration label and then enters Data Line Print mode.

3. In the top bank of the Test and Service mode DIP switches, turn on switches 1, 2, 3, and 4.

To move the X origin forward, turn off switch 5.

To move the X origin backward, turn on switch 5.



44XXU.066

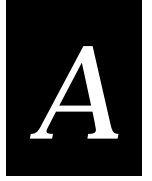
4. In the bottom bank of the Test and Service mode DIP switches, set the DIP switches to the desired setting. See the Dot Increments DIP Switch Settings table on page 6-9 to see how to set the X forms adjust forward or backward a given number of increments.
5. Press the Feed/Pause button.
The printer prints out the software configuration label using the new X forms adjust setting.
6. Verify the X forms adjust number on the software configuration label matches the number you set in Step 4.

Y Forms Adjust

Use the Y forms adjust feature to control the position of the image in the direction parallel to the printhead. See the Dot Increments DIP Switch Settings table on page 6-9 for information on how to move the image forward a number of dot increments. If your label is too close to one edge of the printhead, you can adjust it using this feature.

To set the Y forms adjust

1. Turn off the printer.
2. Enter Test and Service mode by pressing down and holding the Feed/Pause button while turning on the printer. The printer prints out the hardware configuration label and then enters Data Line Print mode.
3. In the top bank of the Test and Service mode DIP switches, turn on switches 1, 2, and 3.
4. In the bottom bank of the Test and Service mode DIP switches, turn on or off the appropriate DIP switches. Refer to the Dot Increments DIP Switch Settings table on page 6-9 to see how to set the Y forms adjust forward or backward a given number of increments.
5. Press the Feed/Pause button. The printer prints out the software configuration label using the new Y forms adjust setting.
6. Verify the Y forms adjust number on the software configuration label matches the number you set in Step 4.



Printer Specifications

Use this chapter to find reference information such as specifications, factory default settings, and available options.

4420 and 4440 Printer Specifications

This section describes the specifications and performance parameters for the 4420 and 4440 printers.

Character Sets

US ASCII	Norwegian/Danish
UK ASCII	Swedish/Finnish
German	Italian
French	Spanish
Switzerland	Code Page 850

Dimensions (no options installed)

Height	16.5 inches (41.9 cm)
Width	9.75 inches (24.8 cm)
Length	17.25 inches (43.8 cm)
Weight	43 pounds (19.5 kg)

Electrical Requirements

Input Voltage	100, 115, or 230 VAC \pm 10%
Frequency	47-63 Hz
Current	2 or 1A

Environment

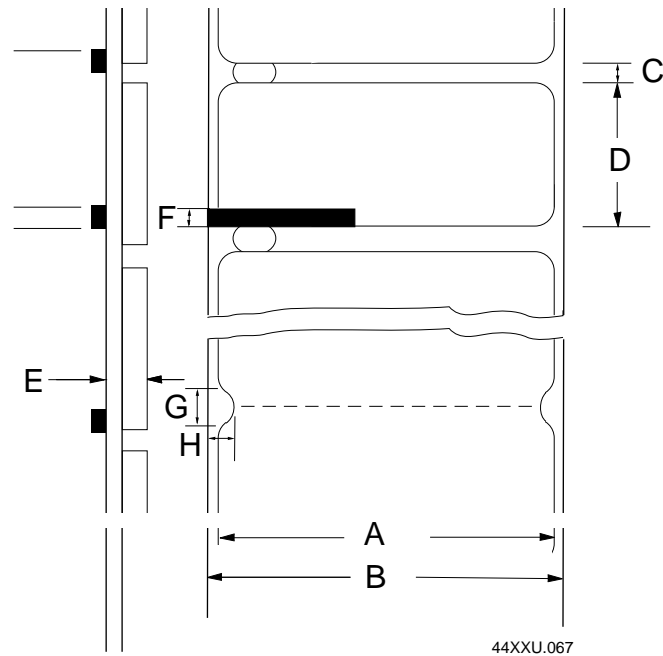
Operating	50°F to 104°F (10°C to 40°C)
Storage	-4°F to 158°F (-20°C to 70°C)
Humidity	10% to 90% with maximum wet bulb 82°F (28°C) and minimum dew point 36°F (2°C)

Fonts and Graphics

There are 21 resident bitmap fonts (including OCR A and B) and three outline fonts available on the 4420 and 4440 printers. You can use font ID 3 through 6 and 8 through 19 to download user-defined fonts.

Maximum UDF	4 inches square (102 mm square)
Maximum UDC	4 inches square (102 mm square)

Media Specifications



Number	Description	Minimum	Maximum
A	Label width	0.65 inch (13 mm)	4.4 inches (111.8 mm)
B	Backing width (or tag width)	0.75 inch (19 mm)	4.5 inches (114.3 mm)
C	Gap between labels	0.10 inch (2.54 mm)	1.0 inch (25.4 mm)
D	Label length - self-strip media	1.0 inch (25.4 mm)	24 inches (609.6 mm)
	Label length - butt cut media	0.5 inch (12.7 mm)	24 inches (609.6 mm)
E	Media thickness (including backing)	0.0059 inch (0.15 mm)	0.012 inch (0.30 mm)
F	Reflective sensor mark length	0.10 inch (2.54 mm)	0.5 inch (12.7 mm)
G	Notch diameter	0.125 inch (3.18 mm)	N/A
H	Notch height (depth)	0.25 inch (6.4 mm)	N/A
	Roll diameter		8.38 inches (213 mm)



Memory

Base

1MB of DRAM
128K of flash

Optional

8 or 16 MB DRAM SIMM modules
8 to 16 MB Kanji/Katakana flash SIMM module

Printhead

Printed dot size	4420 0.00492 inch square (0.127 mm)
	4440 0.00246 inch square (0.065 mm)
Width	4.4 inches maximum (112 mm)
Resolution	4420 203 dots per inch (8 dots per mm)
	4440 406 dots per inch (16 dots per mm)
Number of elements	4420 896 per printhead
	4440 1792 per printhead
“X” dimensions	4420 10 mil to 500 mil (0.25 mm to 12.7 mm); 5 mil (0.13 mm) in drag mode only (specified media only)
	4440 5 mil to 500 mil (0.127 mm to 12.7 mm) (specified media only); 2.5 mil (0.06 mm) in drag mode only (specified media only)

Printing Method

The 4420 and 4440 printers are capable of direct thermal (DT) printing or thermal transfer (TTR) printing using a thermal transfer ribbon.

Printing Speed

Maximum	8 inches per second (203 mm per second) on specified media only
Minimum	2 inches per second (51 mm per second)

The print speed can be changed in 1 ips increments only: 2, 3, 4, 5, 6, 7 or 8.

Ribbon Specifications

Length	18,000 linear inches (450 m)
Widths	2.125 inches (54 mm)
	3.0 inches (76 mm)
	4.1 inches (104 mm)
	4.5 inches (114 mm)
Diameter	3.2 inches maximum (81 mm)

Factory Default Settings

The following table lists the factory default settings for the 4420 and 4440 printer. Use PrintSet to set these parameters. The printer's default serial port settings are described in Chapter 2, "Operating the Printer."

Configuration	Default Setting
Preamble Character	Disabled
Postamble Character	Disabled
Auto-Transmit 1	Disabled
Auto-Transmit 2	Disabled
Auto-Transmit 3	Disabled
Message Delay	0 milliseconds
Power-Up Mode	5 mil Advanced mode (4420) 2.5 mil Advanced mode (4440)
Cutter	Disabled
End-of-Print Skip Distance	100 dots (0.5 inches)
Top of Form	20 dots (0.1 inches)
Media Sensitivity	470 Direct Thermal/567 Thermal Transfer
Number of Image Bands	3
Maximum Label Length	1000 dots (5 inches)
Printer Character Set	US ASCII
Label Retract	Disabled
Label Retract Distance	0
Print Speed	3 inches per second (ips)
Label Stock Type	Die-cut
Intercharacter Delay	0 milliseconds
Storage Memory (standard)	128K flash

Printer Options

This page contains a list of all the options you can use with the 4420 and 4440 printer along with a brief description. Consult your Intermecc representative to order any option.

Coax Interface

Use the coax interface adapter to connect your printer to an IBM 3270 Type A coax cable computer system operating in the VTAM (CICS/IMS/TSO) or 8100 (DPPX) environment. Your printer emulates an IBM 3287 printer and you can connect it to an IBM 3174/76/99 system controller/multiplexer.

Cutter

Use the cutter and tray option to cut continuous media into individual labels ready for use.

Kanji/Katakana

This option allows the 4420 or 4440 printer to print Japanese characters in two Kanji fonts and three Katakana fonts. This option also provides increased storage capacity.

Memory Expansion

You can install a flash SIMM module into the SIMM socket on the main PCB to hold more formats, fonts, or bitmap graphics. You can also install a DRAM SIMM to increase the image buffering capabilities of the printer. You can purchase either module in 8 or 16 MB sizes only.

Self-Strip/Batch Takeup

Use the self-strip option when you want to have labels peeled from the liner as they print and presented for immediate application to a surface (such as a shipping box). The batch takeup option enables you to run the printer in batch mode and is capable of taking up a full roll of media.

Twinax Interface

Use the twinax interface to connect your printer to an IBM twinax cable system with a twinax interface. Your 4420 or 4440 printer emulates an IBM 5256 Model 1 printer and can operate with an IBM System/34, System/36, System/38, or AS/400 host computer.

Bar Code Symbolologies Supported

The 4420 and 4440 printers support these bar code symbolologies:

Codabar Originally developed in 1972, Codabar is a numeric symbology most commonly used in libraries, blood banks, and air parcel express applications.

Code 2 of 5 Code 2 of 5 is a straightforward numeric symbology developed in the late 1960s. It has been used for warehouse sorting systems, photofinishing envelope identification, and for tracking sequentially numbered airline tickets. All information is contained in the width of the bars; the spaces do not contain information.

Code 11 Code 11 was developed in early 1977 to satisfy requirements for a very high density, discrete numeric bar code. The most extensive application of Code 11 has been for labeling telecommunications equipment.

Code 39 Code 39 is the first alphanumeric symbology ever developed and is the standard non-retail bar code. It is a discrete, self-checking symbology of variable length and is used mostly by the automobile and medical industries.

Code 93 Introduced in 1983, Code 93 was specially designed to complement Code 39. With the correct reading equipment, the two alphanumeric codes may be interchanged throughout a system without making any changes to software.

Code 128 Code 128 was introduced in 1981 as a very high density, alphanumeric symbology. It is a variable length, continuous code that employs multiple element widths.

EAN The European Article Numbering system (abbreviated as EAN) is a numeric superset of UPC. EAN has both a version that uses 8 digits and a version that uses 13 digits. The version with 13 digits encodes the same number of bars as 12 digit UPC Version A, but the 13th digit is encoded into a parity pattern at the left of the center guard bar.

Interleaved 2 of 5 Interleaved 2 of 5 is a high density, self-checking, continuous numeric symbology, which has mainly been used in the distribution industry. Interleaved 2 of 5 actually encodes two digits, one in the bars and one in the spaces.

POSTNET The Postal Numeric Encoding Technique (POSTNET) uses binary digits, represented as full bars and half bars, to provide a numeric bar code symbology that is easily read and decoded by optical reading systems. POSTNET provides both error detection and correction capabilities.

UPC Universal Product Code (UPC) is a subset of EAN. It is a fixed length, numeric, continuous symbology employing four element widths. Two common types of UPC are Version A, which encodes 12 digits, and Version E, which encodes 6 digits. UPC has been used in the supermarket industry since 1973. UPC supplemental code is intended for only periodical issue numbers.

2D Symbologies

2D symbologies provide a more efficient way of encoding data than standard bar code symbologies. 2D symbologies use two dimensions to hold data instead of one, allowing much more information to be stored in a smaller amount of space. Your printer provides the capability for printing both stacked and matrix 2D symbologies.

2D Stacked Symbologies

2D stacked symbologies consist of short linear segments stacked on top of each other. In addition to being able to condense a large amount of information into the stacked format, PDF417 provides an extensive error detection and correction option. Up to 510 characters can be recovered if they are lost due to an error in scanning or if the label is damaged. 2D stacked symbologies can be scanned with a laser scanner or imaging device that features 2D code scanning capability.

Code 16K Introduced in 1988, Code 16K is an alphanumeric symbology similar to Code 49 in that it employs multiple rows (from 2 to 16). Each row is fixed length and uses a mirror image of the Code 128 coding patterns.

Code 49 Code 49 is an alphanumeric symbology developed in 1987 as a means of labeling very small objects. A Code 49 bar code contains from two to eight adjacent rows, each separated by a one-module separator bar.

PDF417 PDF417 is a stacked 2D symbology that provides the ability to scan across rows of code. Each row consists of start/stop characters, row identifiers, and symbol characters (called “codewords”). Each codeword consists of four bars and four spaces and contain the actual data. In addition to being able to condense a large amount of information into the stacked format, PDF417 provides an extensive error detection and correction option. Up to 510 characters can be recovered if they are lost due to an error in scanning or if the label is damaged. PDF417 codes can be scanned with a laser scanner or imaging device that features 2D code scanning capability.

2D Matrix Symbologies

2D matrix symbologies, such as Maxicode, use both the horizontal and vertical axes to encode data even more efficiently than stacked symbologies. 2D matrix codes are created as a matrix of square elements, with each element being either white or black to encode data in a binary code. Extensive error detection and correction codes are appended to 2D matrix symbologies, often automatically.

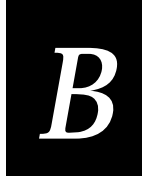
2D matrix symbologies generally cannot be read with a laser scanner. Instead, they are read by a digital imager that captures the entire symbol at once instead of scanning each component individually. Since the components of 2D matrix symbologies are decoded after the image is captured, they permit very fast data collection.

Data Matrix Data Matrix is a 2D matrix symbology which is made up of square modules arranged within a perimeter finder pattern. The finder pattern is a perimeter to the data region and is one module wide. Two adjacent sides are solid dark lines. These lines are used to define physical size, orientation, and symbol distortion.

Maxicode Maxicode is a fixed-size symbology that is made up of offset rows of hexagonal elements arranged around a bullseye finder pattern. Each hexagon represents one bit of information and is either black or white depending on the state of the encoded data bit. United Parcel Service (UPS) Research and Development developed Maxicode for the specific purpose of encoding information about a parcel.

This symbology only encodes very specific data that is divided into the following fields: a 5-digit zip code, a 4-digit zip code extension, a 3-digit country code, a 3-digit class of service, and a string of uppercase letters, numbers, or limited punctuation marks.

QR Code QR (Quick Response) Code is a matrix 2D symbology that encodes data into patterns consisting of black and white dots or modules. A three position detection pattern enables omni-directional reading and ultra high-speed reading. QR Code can handle a wide range of data, including numerical, alphabetical, Kanji, Hiragana, Katakana, graphics, and control codes. A built-in error correction function enables the QR Code to repair errors in the code.



Character Sets

This chapter contains tables for the character sets that the 4420 and 4440 printers support. To select a character set, use PrintSet, your third-party software application, or the IPL command set.

International Character Sets

The following tables show which hex codes to download for international characters not available in the U.S. character set. To use the tables, find the hex code for the U.S. character that corresponds with the character in your language.

Advanced Character Table

If you are running your printer in Advanced mode (you are not using 86XX Emulation), use this table to find the right hex codes for the international character sets.

	23	24	40	5E	5C	5D	5E	60	7B	7C	7D	7E
U.S. ASCII	#	\$	@	[\]	^	`	{		}	~
U.K. ASCII	£	\$	@	[\]	^	`	{		}	-
Germany	#	\$	§	Ä	Ö	Ü	^	`	ä	ö	ü	ß
France	£	\$	à	°	ç	§	^	`	é	ù	è	¨
Norway/Denmark	#	\$	@	Æ	Ø	Å	^	`	æ	ø	å	-
Sweden/Finland	#	Ì	É	Ä	Ö	Å	Ü	é	ä	ö	å	ü
Spain	£	\$	§	ì	Ñ	¿	^	`	°	ñ	ç	~
Switzerland	#	\$	à	°	ç	é	^	`	ù	ä	ö	ü
Italy	£	\$	§	°	ç	é	^	`	ù	à	ò	è

Emulation Mode Character Table

This table shows the hex codes for the character sets that print if your printer is running under Emulation mode.

	23	24	40	5B	5C	5D	5E	60	7B	7C	7D	7E
U.S. ASCII	#	\$	@	[\]	^	`	{		}	~
U.K. ASCII	£	\$	@	[\]	^	`	{		}	~
Germany	#	\$	§	Ä	Ö	Ü	^	`	ä	ö	ü	ß
France	£	\$	à	°	ç	§	^	`	é	ù	è	¨
Norway/Denmark	#	\$	@	Æ	Ø	Å	^	`	æ	ø	å	~
Sweden/Finland	#	¤	É	Ä	Ö	Å	Ü	é	ä	ö	å	ü
Spain	Pt	\$	@	¡	Ñ	¿	^	`	¨	ñ	ç	~
Switzerland	#	\$	à	°	ç	é	^	ù	ä	ö	ü	è
Italy	#	\$	§	°	ç	é	^	ù	à	ò	è	ì

IBM Translation Character Table

If you are running your printer with IBM Translation enabled, use this table to find the right hex codes for the international character sets.

	21	23	24	40	5B	5C	5D	5E	60	7B	7C	7D	7E
U.S. ASCII		#	\$	@	ç	\	!	¬	`	{		}	~
U.K. ASCII		#	£	@	\$	\	!	¬	`	{		}	_
Germany	!	#	\$	§	Ä	Ö	Ü	^	`	ä	ö	ü	ß
France	!	£	\$	à	°	ç	§	^	`	é	ù	è	¨
Norway/Denmark	!	Æ	Å	Ø	#	\	¤	^	`	æ	ø	å	ü
Sweden/Finland	!	Ä	Å	Ö	§	É	¤	^	é	ä	ö	å	ü
Spain		Ñ	Pt	@	[\]	¬	`	{	ñ	}	¨
Switzerland	!	#	\$	à	°	ç	é	^	ù	ä	ö	ü	è
Italy	!	£	\$	§	°	ç	é	^	ù	à	ò	è	ì



Code Page 850 Character Table

00	☺	☹	♥	♠	♣	♠	●	◻	○	◐	♂	♀	♪	♫	☀	
10	▶	◀	↕	!!	¶	§	▬	↕	↑	↓	→	←	↔	▲	▼	
20	!	"	#	\$	%	&	'	()	•	+	,	-	.	/	
30	0	1	2	3	4	5	6	7	8	9	:	;	<	=	>	?
40	@	A	B	C	D	E	F	G	H	I	J	K	L	M	N	O
50	P	Q	R	S	T	U	V	W	X	Y	Z	[\]	^	-
60	`	a	b	c	d	e	f	g	h	i	j	k	l	m	n	o
70	p	q	r	s	t	u	v	w	x	y	z	{		}	~	⏏
80	Ç	ü	é	â	ä	à	å	ç	ê	ë	è	ï	î	ì	Ä	Å
90	É	æ	Æ	ô	ö	ò	û	ù	ÿ	Ö	Ü	ø	£	Ø	X	f
A0	á	í	ó	ú	ñ	Ñ	ã	õ	¿	®	¬	½	¼	¡	«	»
B0	ı	İ	ı	ı	ı	ı	ı	ı	ı	ı	ı	ı	ı	ı	ı	ı
C0	ı	ı	ı	ı	ı	ı	ı	ı	ı	ı	ı	ı	ı	ı	ı	ı
D0	đ	Đ	Ê	Ë	È	ı	ı	ı	ı	ı	ı	ı	ı	ı	ı	ı
E0	Ó	ß	Ô	Ò	õ	Õ	μ	þ	þ	Ú	Û	Ù	ý	Ý	-	'
F0	-	±	=	¾	¶	§	÷	•	◦	••	•	1	3	2	■	■
F1																
F2																
F3																
F4																
F5																
F6																
F7																
F8																
F9																
FA																
FB																
FC																
FD																
FE																
FF																

44XXU.068

Extended Character Sets

Each internal font in the printer has a different character set associated with it as shown in the following tables. The hex codes accompany each character.

- Characters in Fonts**
- c0** **7 x 9 Standard**
 - c1** **7 x 11 OCR**
 - c2** **10 x 14 Standard**
 - c7** **5 x 7 Standard**

ML	SH	SX	EX	ET	EQ	RK	BL	BS	HT	LF	VT	FF	CR	SO	SI
00	01	02	03	04	05	06	07	08	09	0A	0B	0C	0D	0E	0F
DL	D1	D2	D3	D4	NK	SN	EB	CN	EM	SB	EC	FS	GS	RS	US
10	11	12	13	14	15	16	17	18	19	1A	1B	1C	1D	1E	1F
	!	"	#	\$	%	&	'	()	*	+	,	-	.	/
20	21	22	23	24	25	26	27	28	29	2A	2B	2C	2D	2E	2F
30	31	32	33	34	35	36	37	38	39	3A	3B	3C	3D	3E	3F
40	A	B	C	D	E	F	G	H	I	J	K	L	M	N	O
41	42	43	44	45	46	47	48	49	4A	4B	4C	4D	4E	4F	
50	P	Q	R	S	T	U	V	W	X	Y	Z	[\]	<
51	52	53	54	55	56	57	58	59	5A	5B	5C	5D	5E	5F	
60	'	a	b	c	d	e	f	g	h	i	j	k	l	m	n
61	62	63	64	65	66	67	68	69	6A	6B	6C	6D	6E	6F	
70	p	q	r	s	t	u	v	w	x	y	z	{		}	~
71	72	73	74	75	76	77	78	79	7A	7B	7C	7D	7E	7F	
80	81	82	83	84	85	86	87	88	89	8A	8B	8C	8D	8E	8F
90	91	92	93	94	95	96	97	98	99	9A	9B	9C	9D	9E	9F
A0	i		2	3	4	5	6	7	8	9	A	B	C	D	E
A1	A2	A3	A4	A5	A6	A7	A8	A9	AA	AB	AC	AD	AE	AF	
B0	B1	B2	B3	B4	B5	B6	B7	B8	B9	BA	BB	BC	BD	BE	BF
C0	C1	C2	C3	C4	C5	C6	C7	C8	C9	CA	CB	CC	CD	CE	CF
D0	Z					0		1				2			3
D1	D2	D3	D4	D5	D6	D7	D8	D9	DA	DB	DC	DD	DE	DF	
E0	E1	E2	E3	E4	E5	E6	E7	E8	E9	EA	EB	EC	ED	EE	EF
F0	F1	F2	F3	F4	F5	F6	F7	F8	F9	FA	FB	FC	FD	FE	FF

44XXU.069



Characters in Fonts **c20** **8 point**
 c21 **12 point**
 c22 **20 point**
 c25, c26, c28 **outline fonts**
 c30-c41 **monospace fonts (6 point to 36 point)**

00	01	02	03	04	05	06	07	08	09	0A	0B	0C	0D	0E	0F
10	11	12	13	14	15	16	17	18	19	1A	1B	1C	1D	1E	1F
20	!	"	#	\$	%	&	'	()	*	+	,	-	.	/
30	0	1	2	3	4	5	6	7	8	9	:	;	<	=	>
40	@	A	B	C	D	E	F	G	H	I	J	K	L	M	N
50	P	Q	R	S	T	U	V	W	X	Y	Z	[\]	^
60	`	a	b	c	d	e	f	g	h	i	j	k	l	m	n
70	p	q	r	s	t	u	v	w	x	y	z	{		}	~
80															
90															
A0	ı	ø	£	¤	¥	¦	§	¨	©	ª	«	¬	-	®	¯
B0	±	²	³	´	µ	¶	·	¸	¹	º	»	¼	½	¾	¿
C0	À	Á	Â	Ã	Ä	Å	Æ	Ç	È	É	Ê	Ë	Ì	Í	Î
D0	Ð	Ñ	Ò	Ó	Ô	Õ	Ö	×	Ø	Ù	Ú	Û	Ü	Ý	Þ
E0	à	á	â	ã	ä	å	æ	ç	è	é	ê	ë	ì	í	î
F0	ð	ñ	ò	ó	ô	õ	ö	÷	ø	ù	ú	û	ü	ý	þ

44XXU.070

Note: You cannot print these characters as 4 x 4 inch graphics because there is white space surrounding the characters that prevents the image from reaching the maximum graphic size.

4420 and 4440 Bar Code Label Printer User's Manual

Characters in Font c23 OCR A

00	01	02	03	04	05	06	07	08	09	0A	0B	0C	0D	0E	0F
10	11	12	13	14	15	16	17	18	19	1A	1B	1C	1D	1E	1F
	!	"	#	\$	%	&	'	()	*	+	,	-	.	/
20	21	22	23	24	25	26	27	28	29	2A	2B	2C	2D	2E	2F
0	1	2	3	4	5	6	7	8	9	:	;	<	=	>	?
30	31	32	33	34	35	36	37	38	39	3A	3B	3C	3D	3E	3F
@	A	B	C	D	E	F	G	H	I	J	K	L	M	N	O
40	41	42	43	44	45	46	47	48	49	4A	4B	4C	4D	4E	4F
P	Q	R	S	T	U	V	W	X	Y	Z	[\]	^	_
50	51	52	53	54	55	56	57	58	59	5A	5B	5C	5D	5E	5F
h	a	b	c	d	e	f	g	h	i	j	k	l	m	n	o
60	61	62	63	64	65	66	67	68	69	6A	6B	6C	6D	6E	6F
p	q	r	s	t	u	v	w	x	y	z	{		}	~	■
70	71	72	73	74	75	76	77	78	79	7A	7B	7C	7D	7E	7F
80	81	82	83	84	85	86	87	88	89	8A	8B	8C	8D	8E	8F
90	91	92	93	94	95	96	97	98	99	9A	9B	9C	9D	9E	9F
A0	A1	A2	A3	A4	A5	A6	A7	A8	A9	AA	AB	AC	AD	AE	AF
B0	B1	B2	B3	B4	B5	B6	B7	B8	B9	BA	BB	BC	BD	BE	BF
				Ä	Å	Æ									
C0	C1	C2	C3	C4	C5	C6	C7	C8	C9	CA	CB	CC	CD	CE	CF
	Œ				ö		ø					ü			
D0	D1	D2	D3	D4	D5	D6	D7	D8	D9	DA	DB	DC	DD	DE	DF
E0	E1	E2	E3	E4	E5	E6	E7	E8	E9	EA	EB	EC	ED	EE	EF
F0	F1	F2	F3	F4	F5	F6	F7	F8	F9	FA	FB	FC	FD	FE	FF

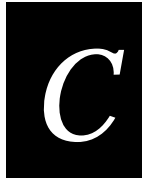
44XXU.071



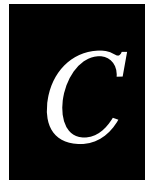
Characters in Font c24 OCR B Size 2

00	01	02	03	04	05	06	07	08	09	0A	0B	0C	0D	0E	0F
10	11	12	13	14	15	16	17	18	19	1A	1B	1C	1D	1E	1F
20	!	"	#	\$	%	&	'	()	*	+	,	-	.	/
21	22	23	24	25	26	27	28	29	2A	2B	2C	2D	2E	2F	
30	0	1	2	3	4	5	6	7	8	9	:	;	<	=	>
31	32	33	34	35	36	37	38	39	3A	3B	3C	3D	3E	3F	
40	@	A	B	C	D	E	F	G	H	I	J	K	L	M	N
41	42	43	44	45	46	47	48	49	4A	4B	4C	4D	4E	4F	
50	P	Q	R	S	T	U	V	W	X	Y	Z	[\]	^
51	52	53	54	55	56	57	58	59	5A	5B	5C	5D	5E	5F	
60	`	a	b	c	d	e	f	g	h	i	j	k	l	m	n
61	62	63	64	65	66	67	68	69	6A	6B	6C	6D	6E	6F	
70	p	q	r	s	t	u	v	w	x	y	z	{		}	~
71	72	73	74	75	76	77	78	79	7A	7B	7C	7D	7E	7F	■
80	81	82	83	84	85	86	87	88	89	8A	8B	8C	8D	8E	8F
90	91	92	93	94	95	96	97	98	99	9A	9B	9C	9D	9E	9F
A0			£	¤	¥	¦	§	¨							
A1	A2	A3	A4	A5	A6	A7	A8	A9	AA	AB	AC	AD	AE	AF	
B0	B1	B2	B3	'			'								
B1	B2	B3	B4	B5	B6	B7	B8	B9	BA	BB	BC	BD	BE	BF	
C0				À	Á	Â									
C1	C2	C3	C4	C5	C6	C7	C8	C9	CA	CB	CC	CD	CE	CF	
D0	Ñ				Ö		Ø				Ü			ß	
D1	D2	D3	D4	D5	D6	D7	D8	D9	DA	DB	DC	DD	DE	DF	
E0				ä	å	æ									
E1	E2	E3	E4	E5	E6	E7	E8	E9	EA	EB	EC	ED	EE	EF	
F0	ñ				ö		ø				ü				
F1	F2	F3	F4	F5	F6	F7	F8	F9	FA	FB	FC	FD	FE	FF	

44XXU.072



Communications Reference



This chapter provides communications reference information you can use to understand protocols, interfaces, and the serial port.

Communications Protocols

Communications protocols are important because they determine the transmission standards for communications between the printer and the host. The printer and the host must use the same protocol and parameters to communicate properly. The printer supports the flow control and block transfer protocols described in the next sections. All of these protocols are point-to-point except Multi-Drop. Application programs and/or ROM BIOS determine which protocols your computer can support. For more detailed information, refer to the Intermec *Data Communications Reference Manual* (Intermec Part No. 044737).

Intermec Standard Protocol

Intermec Standard protocol is a proprietary block transfer/status response protocol. For each block sent, the host must wait for the appropriate response before sending the next block (<DC1>). Except for single character status commands (<ENQ> and <VT>), Standard protocol transmits characters in message blocks beginning with the start of text (<STX>) character and ending with the end of text (<ETX>) character. Message blocks can be up to 255 characters, including the start of text and end of text characters. The printer auto-discriminates between Standard, Polling Mode D, and Multi-Drop protocols.

The printer returns its highest priority status when it receives a valid block (<STX> data <ETX>) or when it receives the status request command <ENQ>. When the printer receives the status dump command (<VT>), the printer returns all active status. The printer status response time ranges from 30 to 100 ms depending on the complexity of the received message block. In the case of a transmission error, the printer responds with a <NAK> and discards the entire message block.

The table below shows printer status conditions in descending order of priority:

Printer Status	Character
Buffer already full	GS
Ribbon fault	US
No label stock	EM
Buffer now full	DC3
Printhead hot	SI
Offline (paused)	DC3
Label at strip pin	FS
Skipping	DC1
Printing	DC1
Ready/Online	DC1

Note: Do not confuse the Buffer now full <DC3> status with the XON/XOFF characters <DC1> and <DC3>.

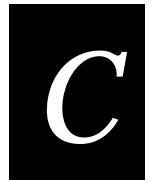
When the printer returns Buffer now full (<DC3>) status, it accepts the currently received message block. At this time, the printer can accept short messages to allow parsing of immediate commands such as Reset (<DLE>) or Cancel batch printing (). However, if the printer responds with a <GS> to any message block, the buffer is already full and it discards the entire message block.

XON/XOFF Protocol (Software and Hardware Flow Control)

XON/XOFF protocol uses the ASCII characters <DC1> (XON) and <DC3> (XOFF) to start and stop the flow of data from the host to the printer. The printer does not restrict the message length for XON/XOFF protocol. That is, the printer processes information as it is being downloaded and stops when there is no more information.

<STX> and <ETX> are optional characters. However, if you send an STX, the printer ignores all other characters until you send an ETX.

Intermec provides two versions of the XON/XOFF protocol. The Intermec version of XON/XOFF has the printer respond to each message with its current status. The other version conforms to generally accepted industry standards, which include no end-of-message response being sent to the host other than XOFF. In addition, a DC3 is sent to the host if the printer is offline or if media fault occurs. An XON is sent on power up.



Since the printer uses DC1 and DC3 for data flow control, the printer status characters are different from those of the Standard Protocol.

Printer Status	Character
Buffer already full	GS
Ribbon fault	US
No label stock	EM
Printhead hot	SI
Buffer now full	DC4
Label at strip pin	FS
Label skipping	DC2
Printing	DC2
Ready	DC2

If the host ignores the printer sending an XOFF, the printer resends an XOFF after receiving every 15 characters from the host. In the case of transmission error, the printer discards the characters with the error and keeps the rest of the message block.

Polling Mode D

Polling Mode D is a block transfer protocol that transmits data in blocks of up to 255 characters, including protocol overhead. For Polling Mode D, the host/concentrator is responsible for asking the printer for data it might have (polling) and requesting to send data to the printer (selecting). LRC characters frame the blocks for additional data integrity. Use Polling Mode D for point-to-point networks that connect the printer to an Intermec port concentrator (RS-232 or RS-422 are acceptable).

This protocol is the default setting for the 4420 and 4440 printer. Return the protocol setting to Polling Mode D by setting the printer DIP switches to the factory default settings (9600, E, 7, 1) or by sending down the Test and Service mode command D.

Multi-Drop Protocol

Use Multi-Drop protocol to connect up to 32 devices to an Intermec controller on a four-wire RS-485 (two twisted pair). This protocol is similar to Polling Mode D except each device has a unique address (POL and SEL character). You must use an RS-485, which is automatically enabled when you enable Multi-Drop. Be sure to specify a unique address for the printer and verify that the baud rate is between 2400 and 19200.

Hardware Protocol

The printer uses Ready/Busy and DTR (data terminal ready) of the RS-232C interface to indicate the printer's status. You can configure Ready/Busy and DTR independent of each other and independent of the software protocol you select for the serial port. You can set each pin to one of these three settings: default, high, and Ready/Busy.

When you set the pin to high, the printer will be ready to accept data anytime.

When you set the pin to Ready/Busy, the pin is high when the printer status is ready. The pin is held low when the printer is in one of these conditions:

- Offline
- Buffer full
- No label stock
- Ribbon fault
- Label at strip pin

If you set the printer to XON/XOFF protocol, the XON and XOFF characters will not be transmitted back to the host.

When you set the pin to default, it uses flow control if the serial port is set for XON/XOFF protocol. If you are using Intermec Standard protocol, the printer uses Ready/Busy.

User-Defined Protocol

The 4420 and 4440 printers provide the capability to change protocol characters. However, you cannot define your own protocol. You can substitute characters to use as protocol characters, but the rules for the chosen protocol do not change. The printer does not use any protocol characters that you replace with the NUL character. One table of protocol characters exists. You may redefine these characters to create a table that all of the protocols can use. One possibility for you to redefine protocol characters may be the replacement of control characters with printable characters.

Note: *Please use caution when replacing control characters with printable characters. One control character can be replaced with only one printable character.*



This table lists the protocol characters that you can redefine and the protocols they affect:

Character	Protocols Affected		
SELECT IN		POL Mode D,	Multi-Drop
POLL IN		POL Mode D,	Multi-Drop
RES IN		POL Mode D,	Multi-Drop
REQ IN		POL Mode D,	Multi-Drop
SOM IN	STD,	POL Mode D,	Multi-Drop, XON/XOFF
EOM IN	STD,	POL Mode D,	Multi-Drop, XON/XOFF
AFF IN		POL Mode D,	Multi-Drop
NEG IN		POL Mode D,	Multi-Drop
DLE IN	STD,	POL Mode D,	Multi-Drop, XON/XOFF
XON IN			XON/XOFF
XOFF IN			XON/XOFF
SELECT OUT			Multi-Drop
POLL OUT			Multi-Drop
RES OUT		POL Mode D,	Multi-Drop
REQ OUT		POL Mode D,	Multi-Drop
SOM OUT		POL Mode D,	Multi-Drop
EOM OUT		POL Mode D,	Multi-Drop
AFF OUT		POL Mode D,	Multi-Drop
NEG OUT	STD,	POL Mode D,	Multi-Drop
DLE OUT	STD,	POL Mode D,	Multi-Drop, XON/XOFF
XON OUT			XON/XOFF
XOFF OUT		POL Mode D,	Multi-Drop, XON/XOFF
PROTO-CMD 1	STD		XON/XOFF
PROTO-CMD 2	STD		XON/XOFF
TIMEOUT ON EOM		POL Mode D,	Multi-Drop

Host Requirements

The 4420 and 4440 printers have the following hardware and software requirements:

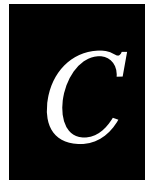
- The host computer must use the American Standard Code for Information Exchange (ASCII) for data communications.
- A serial port or a parallel port must be available on the host if you are connecting directly to the printer.
- The host must support at least one of the following data communications interfaces: RS-232, RS-422, RS-485 (115K), or IEEE compliant 1284 bi-directional parallel.

For information on configuring the host computer, port concentrator, or network controller, see the reference manual for the controlling device.

Communications Boundaries

The information below applies to all protocols that the printer supports.

Parameter	Maximum Capacity
Message delay	9999 milliseconds
Character delay	9999 milliseconds
Message block size	255 characters (including STX and ETX characters) Unlimited block size for XON/XOFF
Device address number (Multi-Drop only)	A to Z, 0 to 5



Communications Interfaces

The 4420 and 4440 printers come standard with both a serial port and a bi-directional parallel port.

The parallel port conforms to the IEEE 1284 standard and it supports Initialization, Compatibility Mode, Negotiation, Nibble, and Byte Mode for reverse data transfer.

The serial port supports serial communications with the following interfaces:

- RS-232
- RS-422
- RS-485

The following sections describe these interfaces. See *Data Communications Reference Manual* (Intermec Part No. 044737) for more detailed information.

RS-232 Serial Interface

Use the RS-232 serial interface in all asynchronous point-to-point full- or half-duplex direct data communications or modem control. The printer cable must have the pin assignments for an RS-232 serial interface shown in the table on the next page.

RS-422 Serial Interface

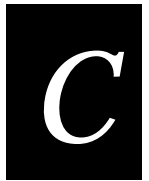
Use the RS-422 interface in long line point-to-point direct connect installations. The printer cable must have the pin assignments for an RS-422 serial interface shown in the table on the next page.

RS-485 Serial Interface

Use the RS-485 serial interface for Multi-Drop installations only. The printer cable must have the pin assignments for an RS-485 serial interface shown in the table on the next page.

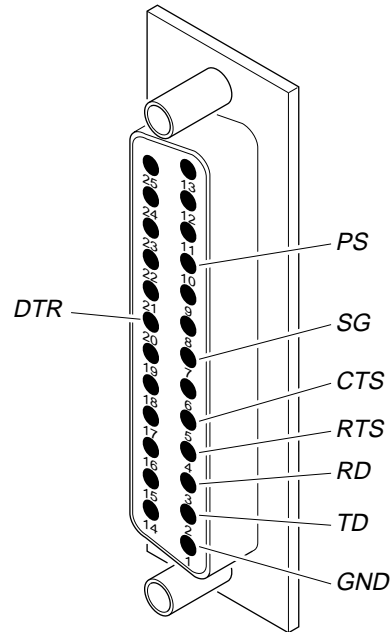
RS-232, RS-422, and RS-485 Serial Interface Pin Assignments

Interface	Pin No.	Name	Operation
RS-232/422/485	1	Chassis Ground (GND)	Connect to pin 1, chassis ground, of connected device.
RS-232	2	Transmit Data (TD)	Output: Connect to receive data pin of connected device.
RS-232	3	Receive Data (RD)	Input: Connect to transmit data pin of connected device.
RS-232/422/485	4	Request to Send (RTS)	Output: When you use a modem, connect to modem RTS pin. The connection sets RTS to true before transmission. The printer sets RTS to false after transmission.
RS-232/422/485	5	Clear to Send (CTS)	Input: When you use a modem, connect to modem CTS pin. Modem must set CTS true before the printer transmits data. If not connected, CTS sets itself true.
RS-232/422/485	7	Signal Ground (SG)	To enable communications, connect to signal ground of connected device. Completes circuit for all RS-232 signals.
RS-232/422/485	11	Printer Status (PS)	Output: When not using software flow control (XON/XOFF), connect to input of connected device (for example, CTS). Indicates printer mechanical status and status of printer input buffer.
RS-422/485	13	Input B	Input: Serial differential data to the printer.
RS-422/485	14	Output A	Output: Serial differential data from the printer.
RS-422/485	16	Input A	Input: Serial differential data to the printer.
RS-422/485	19	Output B	Output: Serial differential data from the printer.
RS-232/422/485	20	Data Terminal Ready (DTR)	Output: When you use a modem, connect to modem DTR pin. When using Intermec Standard protocol, this pin indicates that the printer is switched on. When using XON/XOFF or hardware flow control, this pin indicates the printer mechanical status and the status of the printer input buffer.



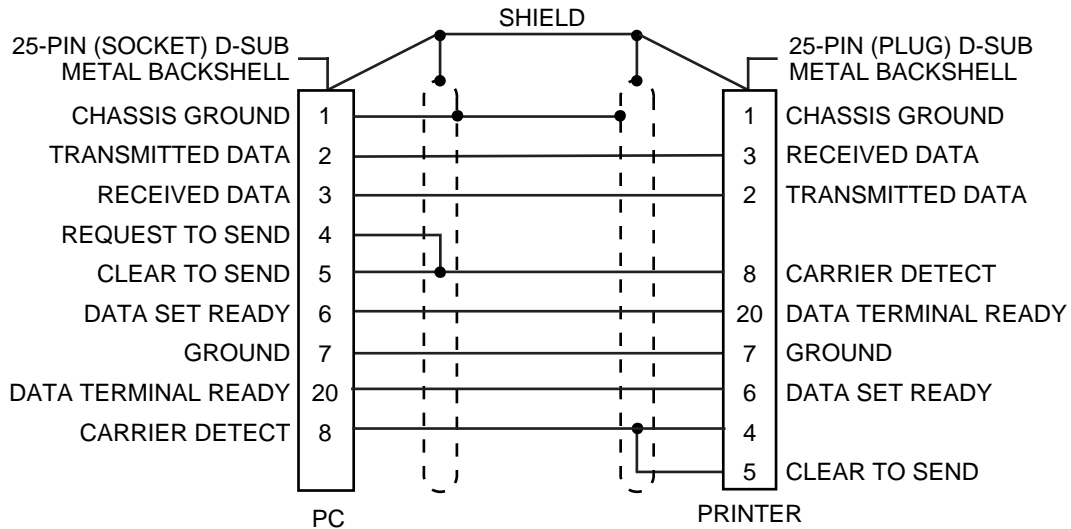
Printer Serial Port

The rear panel of the printer contains the serial port connector. It is a 25-pin D-style subminiature receptacle. The port is wired as a data terminal equipment (DTE) device. Refer to the following figure for pin names on the serial port:



44XXU.073

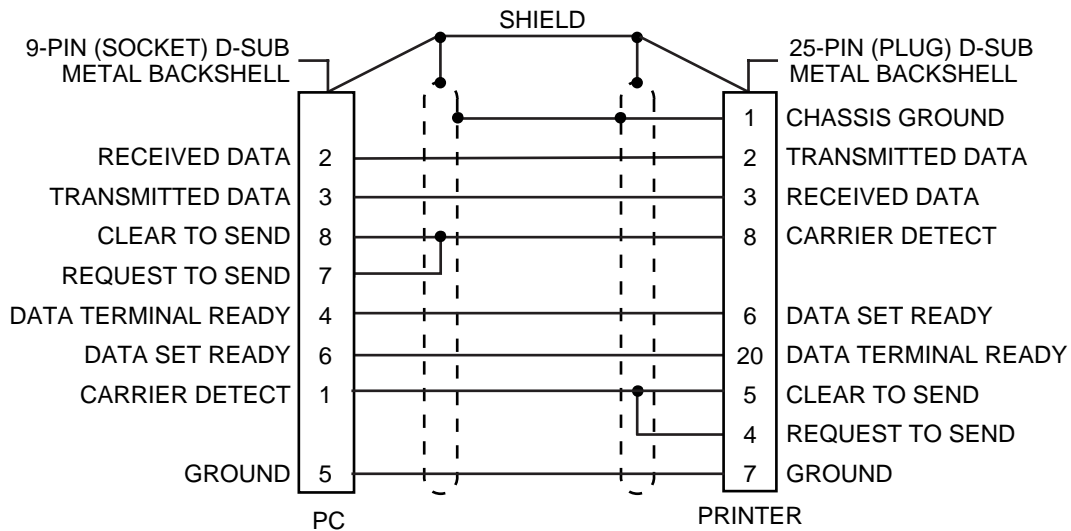
RS-232 Null Modem Cable for 25-Pin PC Connector (Intermec Part Number 048668)



NOTE: The metal backshell is connected directly to the shield to achieve electrostatic discharge (ESD) immunity.

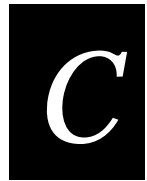
44XXU.074

RS-232 Null Modem Cable for 9-Pin PC Connector (Intermec Part Number 048693)

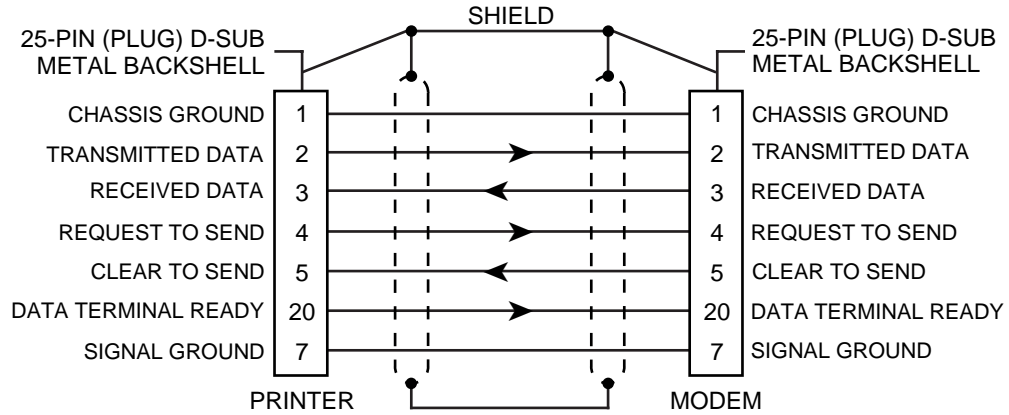


NOTE: The metal backshell is connected directly to the shield to achieve electrostatic discharge (ESD) immunity.

44XXU.075



Straight Through DTE to DCE Cable for Use with a Modem (Intermec Part Number 043237S)

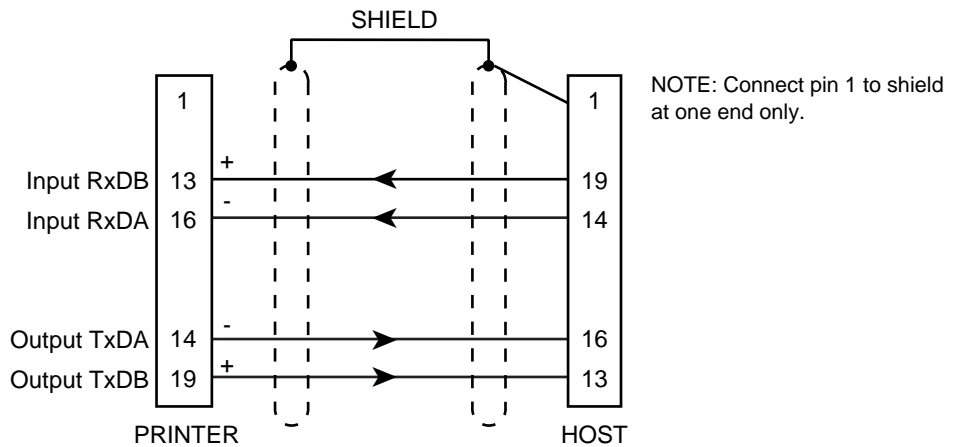


NOTE: The metal backshell is connected directly to the shield to achieve electrostatic discharge (ESD) immunity.

44XXU.076

Note: If you find that you are losing data, you may need to isolate the chassis ground from one of the two devices by connecting it to the shield.

RS-422 Intermec Pin Assignments



44XXU.077

Note: The host in this case includes Intermec products that support RS-422. Non-Intermec controllers may have different pin assignments.



Glossary

ASCII

American Standard Code for Information Interchange. A standard seven bit code almost always transmitted with a parity bit for a total of eight bits per character. ASCII was established by the American National Standards Institute to achieve compatibility between various types of data communication equipment. Equivalent to the International ISO 7-bit code.

backing

Silicon release liner on media to which labels are attached until ready for use.

bar code

A printed, machine-readable code that consists of parallel bars of varied width and spacing.

batch takeup

A device that rewinds media; useful for printing batches of labels.

BEL

A command character that instructs the printer to return an error status code.

character set

The letters, numerals, and symbols that support a particular language (such as French, U.S., ASCII) or automatic identification technology (such as Code 30, Codabar).

cloning

A procedure that copies the RAM contents (configuration, formats, fonts, pages and graphics) from the memory of one printer to the memory of another.

configuration

The current parameter settings that determine the operating characteristics of the printer.

data file

The collection of data and printer commands that, when sent to the printer, is merged with a format file to print a label.

Data Line Print mode

A mode of operation in which the printer prints each command (accompanied by its ASCII code in hexadecimal format) that it receives from the host.

density

The number of data characters that can be represented in a linear unit of measure. Often expressed in characters per inch.

direct thermal

A method of thermal printing in which images are printed when heat from the thermal printhead produces a black mark on the media.

drag

A method of bar code printing in which all the bars are printed at once, in parallel. The bar code appears across the width of the label.

EAN

European Article Numbering; now also called IAN (International Article Numbering). International standard bar code for retail food packages corresponding to the Universal Product Code (UPC) in the United States.

Emulation mode

An operating mode in which the printer has the operating characteristics of another printer. The 3440 can operate in 8636/46 Emulation, which emulates an Intermec 8636 or 8646 printer.

Feed/Pause

A printer control panel button that advances the media and causes the printer to pause printing.

field

A graphic element that is the basic unit of a format. The four basic types of fields are bar code, graphic, line, and text.

fixed data field

Bar code and text fields that never vary from one label to the next; the data in a fixed field is a permanent part of the format.

fixed format

A format in which the data never varies from one label to the next, such as a return address label. A fixed format needs no additional data to print a label.

font

A character set of a given type size and style. See also character set.

font file

See soft font.

format file

A collection of printer commands and data that determines the arrangement of fields on a label.

graphic

A bitmap picture downloaded to the printer by the host before printing.

HIBC

Health Industry Bar Code standard. A modified version of Code 39 that has 43 characters, utilizes the Modulus 43 check character, and reserves some character combinations for special usage.

human-readable

A character, number, or symbol printed in a font that a human can read; as opposed to bar code symbology, which only a machine can read.

image bands

A portion of an image in the shape of a strip of the image. A certain number of image bands are stored in memory before printing begins. This method allows printing and imaging to take place simultaneously.

imaging

The process of generating a picture of the label in printer memory.

increment/decrement field

Bar code or text fields the printer automatically changes from one label to the next. For example, a batch of labels with serial number text or bar code fields, that change from 001, to 002, to 003, and so on.

index

To move from the start of the label to the start of print. With continuous media, to advance the media over the “label gap” to the “edge” of the next label.

interpretive field

A text field that describes the data in the associated bar code field.

ips

Inches per second. A measurement of print speed that measures the number of inches of media that is printed each second.

ISO

International Organization for Standardization. An internationally accepted 7-bit character code. (The U.S. version is ASCII.)

label

The part of the media on which data is printed.

label format

The design of a bar code label; the arrangement of the text, lines, and bar codes on a label.

label gap

The space between labels on die-cut label stock.

margin

The distance between the edge of a label and where the printing starts on that label. *See also* top of form.

media

The label stock on which the printer prints labels. Media can be made of plain paper, polyester, thermally reactive paper, or other materials with adhesive backing and ribbon.

mnemonic code

An acronym or abbreviation for a computer instruction, routine, or format. For example, <STX> represents the start of text.

Multi-Drop protocol

A protocol capable of controlling communications between a single controller and multiple devices.

nibblized

A software term that refers to grouping bits into sets of four, called nibbles. Usually bits are grouped into sets of eight, which are called bytes.

OCR font

A font that is recognized by optical character recognition.

offline

The state in which the printer is not able to carry out two-way communication with the host.

online

The state in which the printer is able to carry out two-way communication with the host.

page

A group of labels that are always printed together. When labels on a page share the same data, it reduces the number of commands that must be sent to the printer.

parallel

A communication scheme in which the bits of a byte are transferred simultaneously over a multistrand cable.

parameters

The operating limits of the printer. Also, the variable information sent with a command.

picket

A method of bar code printing in which the bars in the bar code print one at a time, in a series. The bar code appears along the length of the label.

pitch

(1) The number of characters printed in one horizontal inch determined by the increment by which the printer platen moves. (2) Rotation of a bar code symbol about an axis parallel to the direction of the bars.

point size

A unit of measure for font height; 72 points equals 1 inch as measured from slightly above the top of the uppercase letters to slightly below the bottom of the lowercase descenders.

Polling Mode D

Polling Mode D is a protocol that allows devices and controllers to exchange data in an “ask and receive” format. Use Polling Mode D to connect multiple devices to a single multiport controller.

print speed

Measured in inches per second (ips), the rate at which media travels past the printhead.

printhead

The mechanism inside the printer that prints. The printhead for the 4420 printer consists of 896 thermal elements. The printhead for the 4440 printer consists of 1792 thermal elements.

printhead elements

The parts of the printhead that print by placing a mark on the label when heated. Each element on the 4420 printer is 0.005 inches square in area. Each element on the 4440 printer is 0.0025 inches square in area. Each element is switched on and off separately in order to react with the media or thermal transfer ribbon to create a mark on the label.

ready

The state in which the printer is able to print; the normal operating state of the printer.

Ready/Busy line

Pin 11/20 of the rear panel connector. Indicates whether the printer is ready or not ready (busy).

RS-232

Widely recognized protocol standard for serial binary data interchange. The standard covers the physical, electrical, and functional characteristics of the interface.

RS-422

Standard for the voltage and impedance levels for serial data transmission on balanced lines. Similar to RS-232, but handles larger distances and faster communication.

RS-485

Standard for allowing multiple devices to share a common set of serial data communication lines. The signaling is very similar to RS-422. The maximum number of devices allowed is 32.

scan

To read a bar code with a device known as a scanner that converts optical information into electrical signals.

scannable

A symbol that can be successfully scanned and correctly decoded.

selective transfer

A procedure that copies selected formats, fonts, graphics, or pages stored in the memory of one printer to the memory of another.

self-strip

An optional internal device for the 4420/4440 printer that presents each label after it is printed, with the backing removed so it may be applied immediately.

sensitivity

The responsiveness of thermal media, or of thermal transfer ribbon, to heat; it is determined by the time required for a unit measure of heat to affect the media or ribbon.

serial

A communication scheme in which the bits of a byte are transferred one at a time. Often serial transmission is used to link host computers to terminals and PCs to printers.

skip

To move the paper to the next label.

soft font

A file stored in the printer to provide the ability to print text using fonts that are not resident in the printer.

Standard protocol

A communications protocol capable of controlling communications between two devices connected by a single data communication line.

symbology

A scheme for encoding data as bar code. Code 39, Interleaved 2 of 5, and Codabar are examples of different symbologies.

thermal transfer

A method of printing by which heat from the printhead melts ink from the ribbon onto media. The ink adheres to the media as it cools and the ribbon is removed.

top of form

The point where printing can start on a label. The top of form is separated from the edge of the label by the margin.

UPC

Universal Product Code. A numeric, 12-digit bar code symbology used extensively in retail, particularly the grocery industry.

4420 and 4440 Bar Code Label Printer User's Manual

User-Defined Characters (UDC)

See graphic.

User-Defined Fonts (UDF)

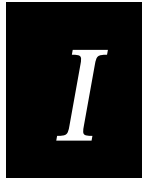
See soft font.

variable data field

Bar code and text fields that change from one label to the next.

XON/XOFF

A protocol that stops the host from sending data when the printer buffer fills up and starts it again when the buffer empties.



Index

Numbers

- 2D symbologies, A-9
 - Code 16K, A-9
 - Code 49, A-9
 - Data Matrix, A-10
 - Maxicode, A-10
 - PDF417, A-9
 - QR Code, A-10

A

- AC power receptacle, 1-5
- adjustments
 - bias adjust screw, 5-3
 - darkness adjust control, 5-5
 - label gap sensor, 5-11
 - label mark sensor, 5-13
 - label rest point, 6-10
 - X forms adjust, 6-14
 - Y forms adjust, 6-15
- Advanced mode, international character sets, B-3
- Alert LED, troubleshooting, 4-4
- AS400, connecting to the printer, 1-14

B

- bands, image, 5-16
- bar code symbologies
 - Codabar, A-8
 - Code 11, A-8
 - Code 128, A-8
 - Code 2 of 5, A-8
 - Code 39, A-8
 - Code 93, A-8
 - EAN, A-8
 - Interleaved 2 of 5, A-8
 - list of, A-8
 - POSTNET, A-8
 - UPC, A-9
- batch takeup option, A-7
- bias adjust screw
 - adjusting, 5-3
 - using for optimal print quality, 5-3
- bi-directional parallel port, C-9
- blotches on labels, troubleshooting, 4-5
- boundaries, communication, C-8

C

- cables
 - considerations in noisy electrical environments, 1-15
 - null-modem schematics, C-12
 - RS-232 schematics, C-12
 - RS-422 schematic, C-13
 - straight through schematics, C-12

- changing
 - core-locking brackets, 2-8
 - serial port settings, 1-17
- character sets
 - Advanced mode, B-3
 - Code Page 850, B-5
 - Emulation mode, B-4
 - extended, B-6
 - IBM translation, B-4
 - international, B-3
 - list of, A-3
- cleaning
 - label sensors, 3-12
 - media guides, 3-10
 - media path, 3-10
 - printer, 3-5
 - printer covers, 3-7
 - printhead, 3-6
 - rollers, 3-8
 - tear bar, 3-8
- coax interface option, A-7
- Codabar, A-8
- Code 11, A-8
- Code 128, A-8
- Code 16K, A-9
- Code 2 of 5, A-8
- Code 39, A-8
- Code 49, A-9
- Code 93, A-8
- Code Page 850, character table, B-5
- communicating with the printer, 2-16
 - using PrintSet, 2-16
 - using the IPL command set, 2-16
 - using third-party software, 2-16
- communications
 - boundaries, C-8
 - checking for problems, 4-8
 - configuring the serial port, 1-16
 - interfaces, C-9
 - problems, 4-7
 - protocols, C-3
 - hardware, C-6
 - Multi-Drop, C-5
 - Polling Mode D, C-5
 - Standard, C-3
 - user-defined, C-6
 - XON/XOFF, C-4
- reference
 - communication boundaries, C-8
 - communication protocols, C-3. *See also* protocols
 - host requirements, C-8
- testing by printing a test label, 2-17
- troubleshooting printer, 6-5

4420 and 4440 Bar Code Label Printer User's Manual

configuration commands
 changing from Test and Service mode, 6-8
 Emulation mode, 6-8
 label rest point, 6-8
 X forms adjust, 6-8
 Y forms adjust, 6-8
 DIP switch settings, 6-8

configuration test labels
 hardware, 1-9
 software, 2-12
 troubleshooting, 4-4

configuration, printing test label, 6-5

configuring the serial port, 1-16

connecting

 printer to a mainframe, 1-15
 printer to a network, 1-14
 printer to a PC
 using the parallel port, 1-12
 using the serial port, 1-11
 with a modem, 1-13
 printer to an AS400, 1-14
 printer to power source, 1-5
 printer to system, 1-10
 using the parallel port, 1-10
 using the serial port, 1-10

conventions, manual, x

core-locking brackets, changing, 2-8

cutter option, A-7

D

darkness adjust control

 setting, 5-5
 using for optimal print quality, 5-5

Data Line Print, 6-5

 entering, 6-5
 using to test the operation of the printer, 6-5
 using to troubleshoot printer, 6-5

data loss

 checking for communications problems, 4-8
 preventing, 4-8

Datra Matrix, A-10

default settings, *See* factory default settings

dimensions, printer, A-3

DIP switch settings

 changing, 1-17
 configuration commands, 6-8
 for dot increments, 6-9
 table, serial port, 1-17
 Test and Service mode, 6-4

dot increments, setting the number of, 6-9

downloading, definition, 2-16

E

EAN, A-8

electrical requirements, A-3

Emulation mode, 6-12

 international character sets, B-4

 setting with DIP switches, 6-12

entering, Test and Service mode, 6-3

environment, specifications, A-3

exiting, Test and Service mode, 6-3

extended character sets, B-6

F

factory default settings, A-6

fanfold media, loading, 1-7

faults, media or system, 2-4

Feed/Pause button, using, 2-5

flash SIMM, additional storage memory, 5-15

font tables, extended character sets, B-6

fonts

 copying to another printer, *See* selective transfer described, A-3

 extended character sets, B-6

fonts and graphics, specifications, A-3

format

 copying to another printer, *See* selective transfer positioning with DIP switches, 6-13

forms adjust

 positioning the label format, 6-13

 setting from DIP switches, 6-13

front panel

 LEDs, 2-4

 understanding, 2-3

G

graphics, copying to another printer, *See* selective transfer

H

hardware configuration label, printing, 1-9

hardware protocol, C-6

host requirements, communications, C-8

I, J

IBM translation, character table, B-4

image bands

 description, 5-16

 function, 5-17

 optimizing with print speed, 5-17

increasing printer throughput, 5-16

installation

 network, 1-14

 printer, 1-5

interfaces

 communications, C-9

 RS-232, C-9

 RS-422, C-9

 RS-485, C-9

Interleaved 2 of 5, A-8

Intermec Standard protocol, C-3
 international character sets, B-3
 IPL commands, using to communicate, 2-16

K

Kanji/Katakana option, A-7

L

label
 detecting the start, 5-11
 gap sensor, adjusting, 5-11
 mark sensor, adjusting, 5-13
 printing a test, 2-17
 rest point, adjusting, 6-10
 sensors, cleaning, 3-12

label format
 position, adjusting with TOF switch, 5-7
 positioning along the length of label, 6-14
 positioning parallel along width of label, 6-15

languages, international character sets, B-3

LED
 front panel, 2-4
 indicators, 2-4
 media or system faults, 2-4
 over-temperature condition, 2-4
 understanding, 2-4

loading
 fanfold media, 1-7
 roll media, 2-6
 thermal transfer ribbon, 2-8

M

mainframe, connecting to the printer, 1-15

maintenance, 3-3
 location of parts to be maintained, 3-4
 schedule, 3-3
 tools for cleaning, 3-5

manuals, reference, xi

Maxicode, A-10

media fault
 continuous, troubleshooting, 4-7
 troubleshooting, 4-4

media guides, cleaning, 3-10

media or system faults, 2-4

media path, cleaning, 3-10

media sensitivity number
 description of, 2-11
 setting for Intermec media and ribbon, 2-12
 setting for other media and ribbon, 2-13
 setting with PrintSet, 2-13

settings table
 direct thermal media, 2-14
 thermal transfer, 2-15

media, specifications, A-4

memory
 additional storage, flash SIMM, 5-15
 expansion option, A-7
 increasing amount available, 5-16
 increasing amount available in printer, 6-7
 limitations, 5-15
 reset, using, 6-7
 returning printer to default settings, 6-7
 specifications, A-5
 usage
 limitations, 5-15
 problems, 5-15
 using efficiently, 5-15

modem, using to connect the printer to PC, 1-13

Multi-Drop protocol, C-5

N

network installation, 1-14
 network, connecting to the printer, 1-14

O

on/off switch, 1-5
 opening the printer, 1-6
 operation problems, troubleshooting, 4-3
 options, printer, A-7
 over-temperature condition, 2-4

P

pages, copying to another printer, *See* selective transfer

parallel port
 bi-directional communications interface, C-9
 using to connect a PC to the printer, 1-12

PDF417, A-9

pitch test label, printing, 6-5

plugging in the printer, 1-5

Polling Mode D protocol, C-5

POSTNET, A-8

power loss, troubleshooting, 4-3

preventing data loss, 4-8

print darkness
 adjusting with darkness adjust control, 5-5
 adjusting with PrintSet, 5-6

print quality
 correcting uneven, 5-3
 maintaining, 5-3
 optimizing, 5-3
 poor, troubleshooting, 4-6
 printing test label, 6-5
 problems, 4-5
 understanding, 5-3

print speed, adjusting for use with image bands, 5-17

printer
 cleaning, 3-5
 communication problems, 4-7
 communications, 2-16

4420 and 4440 Bar Code Label Printer User's Manual

printer (*continued*)

- connecting the printer to a PC with a modem, 1-13
- connecting to a mainframe, 1-15
- connecting to a network, 1-14
- connecting to a PC through the parallel port, 1-12
- connecting to a PC through the serial port, 1-11
- connecting to an AS400, 1-14
- connecting to power, 1-5
- connecting to your system, 1-10
- dimensions, A-3
- features, 1-3
- installation, 1-5
- maintenance, 3-3
- memory, using efficiently, 5-15
- opening, 1-6
- operation, problems, 4-3
- options, A-7
 - coax interface, A-7
 - cutter, A-7
 - Kanji/Katakana, A-7
 - memory expansion, A-7
 - self-strip/batch takeup, A-7
 - twinax interface, A-7
- plugging in, 1-5
- RAM
 - allocation, 5-15
 - storage limitations, 5-15
 - understanding, 5-15
- serial port, C-11
- specifications, A-3-A-5
- printer components
 - back view, 1-4
 - front view, 1-3
- printer cover
 - cleaning, 3-7
 - removing, 1-6
- printer operation
 - testing, 6-5
 - troubleshooting, 6-5
- printhead
 - cleaning, 3-6
 - specifications, A-5
- printing
 - hardware configuration label, 1-9
 - increasing speed, 5-16
 - problems, troubleshooting, 4-3
 - software configuration label, 2-12
 - speed, specifications, A-5
 - test label, 2-17
 - too light or too dark, troubleshooting, 4-5
- PrintSet
 - using to communicate with the printer, 2-16
 - using to set the media sensitivity number, 2-13

problems

- communication, 4-7
- print quality, 4-5
- printer operation, 4-3
- protocols, C-3
 - hardware protocol, C-6
 - Multi-Drop, C-5
 - Polling Mode D, C-5
 - Standard, C-3
 - user-defined, C-6
 - XON/XOFF, C-4

Q

- QR Code, A-10
- quality
 - correcting uneven print, 5-3
 - optimizing and maintaining print, 5-3
 - problems, troubleshooting, 4-5

R

- RAM, using efficiently, 5-15
- removing the printer cover, 1-6
- requirements, electrical, A-3
- requirements, host, C-8
- rest point, label, 6-10
- ribbon
 - loading, 2-8
 - specifications, A-5
 - thermal transfer, 2-8
- rollers, cleaning, 3-8
- RS-232 serial interface, C-9
- RS-422 serial interface, C-9
- RS-485 serial interface, C-9

S

- safety summary, vii
- schedule of maintenance, 3-3
- selective transfer, 6-6
- self-strip option, A-7
- sensor
 - adjusting the label gap, 5-11
 - adjusting the label mark, 5-13
 - cleaning label, 3-12
- serial interface, C-9
- serial port
 - configuration, 1-16
 - description, C-11
 - settings, changing, 1-17
 - using to connect a PC to the printer, 1-11
- setting, media sensitivity number, 2-11
- settings, factory default, A-6
- skipping labels, adjusting the printer to stop, 5-11
- software configuration label, printing, 2-12

- specifications, printer, A-3–A-5
- speed, printing, A-5
- Standard protocol, C-3
- symbolologies
 - 2D, A-9
 - Codabar, A-8
 - Code 11, A-8
 - Code 128, A-8
 - Code 16K, A-9
 - Code 2 of 5, A-8
 - Code 39, A-8
 - Code 49, A-9
 - Code 93, A-8
 - Data Matrix, A-10
 - EAN, A-8
 - Interleaved 2 of 5, A-8
 - Maxicode, A-10
 - PDF417, A-9
 - POSTNET, A-8
 - QR Code, A-10
 - UPC, A-9

T

- tear bar, cleaning, 3-8
- terms, manual, x
- Test and Service mode
 - changing configuration commands from, 6-8
 - Data Line Print, 6-5
 - DIP switch settings, 6-4
 - entering, 6-3
 - exiting, 6-3
 - memory reset, 6-7
 - printing test labels, 6-5
 - selective transfer, 6-6
 - setting Emulation mode, 6-12
 - using forms adjust, 6-13
 - X forms adjust, 6-14
 - Y forms adjust, 6-15
- test label, printing a hardware, 2-17
- test labels, printing, 6-5
- thermal transfer ribbon, loading, 2-8
- third-party software, using to communicate with the printer, 2-16
- throughput, increasing, 5-16
- TOF switch, location, 5-7
- tools for cleaning the printer, 3-5
- top of form position, fine-tuning, 5-7
- troubleshooting, 4-3
 - communication problems, 4-7
 - print quality problems, 4-5
 - printer operation problems, 4-3
- twinax interface option, A-7

U, V

- UPC, A-9
- uploading, definition, 2-16
- user-defined protocol, C-6

W

- warranty information, vii

X

- X forms adjust, *See also* top of form setting with DIP switches, 6-14
- XON/XOFF, protocol, C-4

Y, Z

- Y forms adjust, setting with DIP switches, 6-15

