

# V1 User Manual

## 1. Product introduction

### 1.1 Foreword

V1 combines video intercom and fingerprint access control, leading the world in door phone systems. Besides the working of one outdoor station to one indoor station, it is also support maximum 4 indoor stations to the outdoor station. V1 is the ideal choice to household, Villa, hotel, office.....etc

Its fingerprint capacity is 120. The durable, reliable sensor makes it work steadily. The remote control makes the operation easy and convenient.

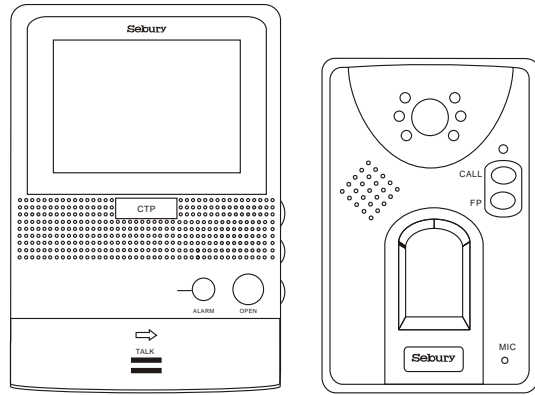
### 1.2 Feature

- TFT color LCD display
- adjustable brightness
- adjustable chroma
- Ring volume adjustable
- Handfree intercom
- CCD lens
- Infrared, Night view
- Surveillance
- Alarm
- Multi-extension communication
- User capacity: 120
- Remote control for programming

### 1.3 Technical parameter

- . Power supply: 15V ± 10% 2000mA
- . Current standby: ≈ 30mA
- . fingerprint acquisition area: 20 mm × 16 mm
- . identifying time: less than 1 second
- . fingerprint capacity: 120
- . FAR: < 0.0001%
- . FRR: < 0.01%

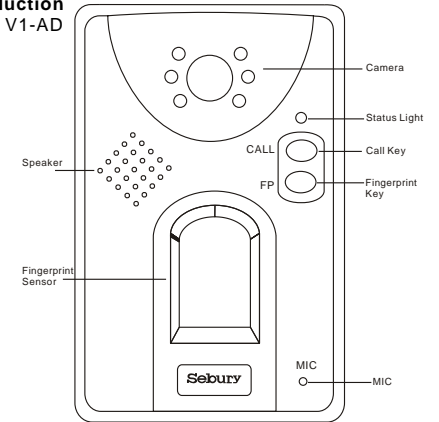
- . Transferring loudness: ≈ 34dB
- . Speaker loudness: ≈ 75dB
- . Ring loudness: ≈ 75dB
- . Alarm loudness: ≈ 85dB
- . Environment noise: ≈ 60dB
- . Environment temperature: -10-45°C
- . Humidity: 20%-80%
- . Atmospheric pressure: 86KPa-106KPa
- . Transmit distance: < 80 M
- . Cable: RVV16 × 0.15mm<sup>2</sup>, or bigger cable



.1.

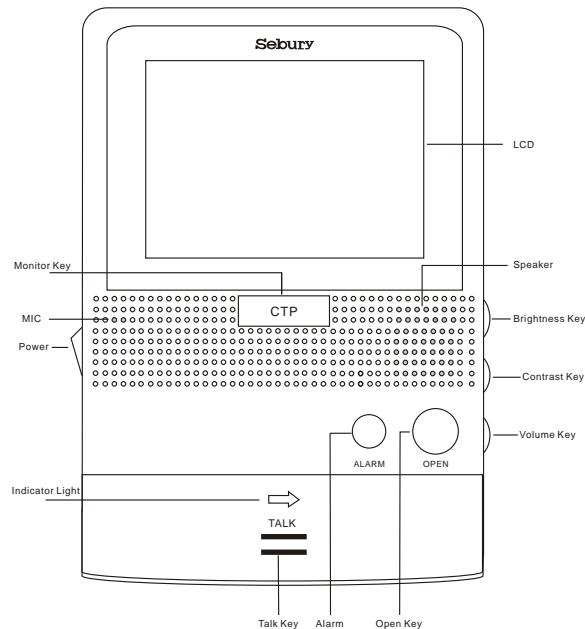
### 1.4 Board introduction

Outdoor station: V1-AD



.3.

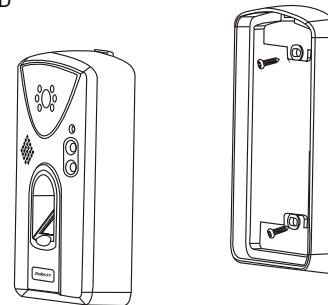
Indoor station: V1-MD



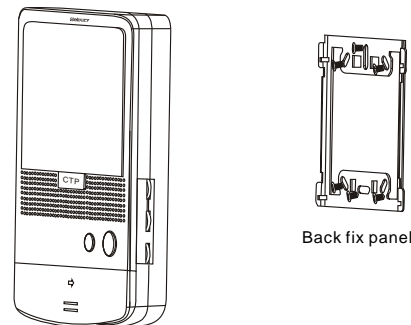
.4.

## 2. Installation

2.1 Outdoor station: V1-AD

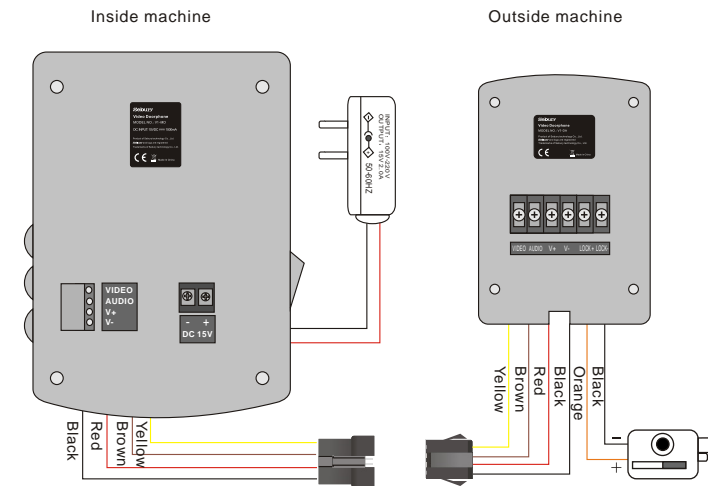


2.2 Indoor station: V1-MD



.5.

## 2.3 Connection diagram

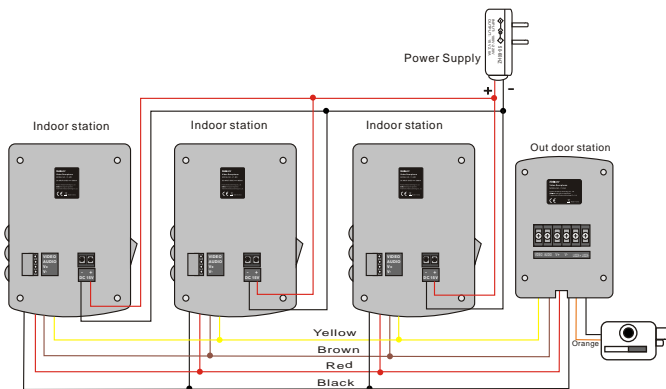


### Remark:

V1 can connect both types of the locks directly, no matter it's Failsecure (unlock when power on) or Fail safe (unlock when power off). Please check Administrator Operation Item 4.6 for the lock setting.

.6.

## Multi-outdoor station connection diagram



V-	Black Line
V+	Red Line
AUDIO	Brown Line
VIDEO	Yellow Line
LOCK+	Orange Line
LOCK-	Black Line

Remarks: Please connect additional power supply, if the indoor station is distant.

.7.

### 4.5 Delete all the users

**[3] 0000 #**

### 4.6 Lock style setting and door relay time setting

Fail secure (unlock when power on): **\* [managerpassword] # [4] 0~10 # \***

Fail safe (unlock when power off): **\* [managerpassword] # [5] 1~10 # \***

Remarks: In programming mode, press 4 is to choose Fail secure lock, 0-10 is to set door relay time 0-10 seconds; press 5 is to choose Failsafe lock, 1-10 is to set door relay time 1-10 seconds.

(Factory default setting is Fail safe lock, relay time 5 seconds.)

### 4.7 Exit from programming mode

When the setting is finished, press **[\*]** to exit from the programming mode; if not operated in 1 minute, the device will exit from the programming mode automatically.

## 5. Sound and light status description

Function	light	sound	status
	Red light flicker	no	standby
	Red light shining	no	Start working
CALL	Red light shining	Beep regularly	Calling
CALL	Red light shining	Beep rapidly	Calling for busy
Inefficacy of CALL or FP	Red light shining	no	Monitoring is busy
FP	Sensor shines blue	no	Fingerprint reading
TALK	Green light shining	no	talkback
OPEN	Green light shining	One beep	Pick the lock
ALARM	holding	alarm	alarm
Enter into programming mode	Red light shining	One beep	Enter into programming
Enter into function setting	Orange light	One beep	function setting
Error cue	holding	Three short beep	Error cue
Correct operation	Green light shines shortly	One long beep	Correct cue

.10.

## 2.4 Connection end explanation

VIDEO	Yellow	Video Signal
AUDIO	Brown	Audio Signal
V+	Red	15V +
V-	Black	GND
LOCK+	Orange	LOCK+
LOCK-	Black	LOCK-

## 3. Keystroke Function description

### 3.1 Outdoor

**FP:** Fingerprint key (press this key before input the fingerprint).

Press this key for 3 seconds to RESE: the relay output time and Administrator password will resume to factory default setting.

**CALL:** Call key.

The beep sounds regularly means it is calling; the beep sounds rapidly means the device is busy.

### 3.2 Indoor

**CTP:** Press this key to open or close the monitor, monitoring lasts for 30 seconds (after 30 seconds, it will be off automatically.)

**TALK:** Press this key to open or close the intercom, the calling lasts for 1 minutes (after 1 minute, it will be off automatically.)

It is effective when there's call or in monitoring; it is inefficacy in standby status.

**OPEN:** Press this key to open the door

It is inefficacy in standby status.

**CALL/ALARM:** Press this key to call or alarm.

.8.

## 6. Normal troublesolution

Trouble	Reason	Solution
Indicate light is not shining	1, check if Powerswitch is on or off	1, Turn on the power supply.
	2, The power supply cable is connected inverse, or power supply is failed.	2, Connect the cable right, replace the power supply.
Failed to open the lock	The lock cable is open circuit, short circuit or connected inverse.	Power off, connect the lock cable right, then power on.
No view	The video cable is open circuit or has turned the video lightness to the dull.	Connect the video cable right. Adjust the lightness.
Hard to read fingerprint	Dry, desquamation, or dirty of the fingerprint	Add one more fingerprint. Wash the hands.
No ring	The audio cable connected wrong or open circuit.	Connect the audio cable correctly.
	The ring volume has turned to the smallest.	Change the ring volume.
Screechy sound	Too close of the indoor station to the outdoor station.	Lengthen the distance.

.11.

When it is ringing, monitoring, or talking, press this key to alarm. Press the key steadily to alarm continuously, not press it, the alarm will stop.

In standby status, press this key to talk between extensions.

**POWER:** Press this key to power on or power off.

**BRIGHT:** adjust the lightness of LCD TFT.

**CONTRAST:** adjust the chroma.

**RING:** adjust the doorbell volume.

## 4. Administrator operation

**Administrator programming mode (operate to the outdoor station by remote control)**

### 4.1 Enter into programming mode

**[\*] [Admin Password] #**

Admin password, factory default setting: 9999.

### 4.2 Change Admin password

**[0] [New password] # [repeat] #**

The password must be 4 digit number.

### 4.3 Add user

**Add one user**

**[1] [input fingerprint] [repeat] #**

**Add user continuously**

**[1] [input 1<sup>st</sup> fingerprint twice] [input 2<sup>nd</sup> fingerprint twice] ..... [input N<sup>th</sup> fingerprint twice] #**

### 4.4 Delete user

**[2] [input fingerprint once] #**

To delete users continuously, just input the fingerprint continuously.

.9.

## 7. Packing list

Name	Specification	Quantity
Outdoor station	V1-AD	1
Indoor station	V1-MD	1
Power adaptor	15V 2A	1
Screw driver	Screw driver	1
User manual	V1	1
Flat Head screw	3 × 6mm	1
Self-drilling screws	φ 4 × 25mm	6
Fixing plug	φ 6 × 25mm	6
Fixing frame	for Indoor station	1
Remote control panel	Sebury	1

.12.