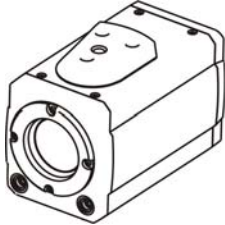


Thank you for purchasing our product.
Please read this User's Manual before
using the product. Change without Notice

AUTO LENS CAMERA

User's Manual



CONTENT TABLE

CONTENT TABLE.....	2
SAFETY PRECAUTIONS.....	3
FCC STATEMENT.....	4
REAR PANEL.....	5
FUNCTION SETUP.....	6
MENU TREES.....	7
MENU SETUP.....	8
CAMERA SETUP.....	8
->FOCUS / ZOOM PAGE.....	8
->EXPOSURE PAGE.....	9
->AWB PAGE.....	10
->PICTURE PAGE.....	11
->DAY/NIGHT PAGE.....	12
REMOTE SETUP.....	13
DISPLAY SETUP.....	14
LOAD DEFAULT.....	15
EXIT MENU.....	16
REMOTE CONTROLLER.....	17
SPECIFICATIONS.....	18
DIMENSION.....	19

SAFETY PRECAUTIONS



The lightning flash with arrowhead symbol, within an equilateral triangle, is intended to alert the user to the presence of insulated dangerous Voltage within the product's enclosure that may be sufficient magnitude to constitute risk of electrical shock to persons.



The exclamation point within an equilateral triangle is intended to alert the user to the presence of important operation and maintenance (servicing) instructions in the literature accompanying the appliance.

1. Do not touch the imaging surface of sensor. Use soft cloth moistened with alcohol to clean the surface if it is touched accidentally.
2. Ensure the supply voltage is correct as specified for the particular variant of camera before operation.
3. Do not expose the camera to rain, moisture or to temperature outside the specified limit, without a suitable housing.
4. Avoid focusing directly on the sun
5. Do not attempt to service this unit yourself unless you are authorized to do so. Opening cover may exposure you to dangerous voltage or other hazards. Refer all servicing to qualified personnel only.

FCC STATEMENT

WARNING

This device complies with Part 15 FCC Rules. Operation is subject to the following two conditions:

- (1) This device may not cause harmful interference.
- (2) This device must accept any interference received including interference that may cause undesired operation."

* Federal Communications Commission (FCC) Statement

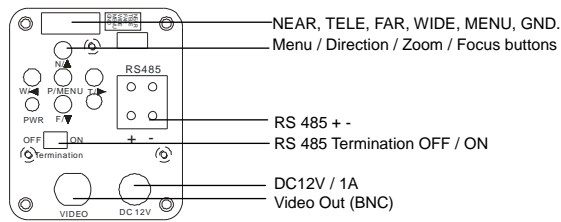
WARNING

This Equipment has been tested and found to comply with the limits for a Class B digital device, pursuant to Part 15 of the FCC rules. These limits are designed to provide reasonable protection against harmful interference in a residential installation. This equipment generates, uses and can radiate radio frequency energy and, if not installed and used in accordance with the instructions, may cause harmful interference to radio communications. However, there is no guarantee that interference will not occur in a particular installation. If this equipment does cause harmful interference to radio or television reception, which can be determined by turning the equipment off and on, the user is encouraged to try to correct the interference by one or more of the following measures:

- Reorient or relocate the receiving antenna.
- Increase the separation between the equipment and receiver.
- Connect the equipment into an outlet on a circuit different from that to which the receiver is connected.
- Consult the dealer or an experienced radio/TV technician for help.

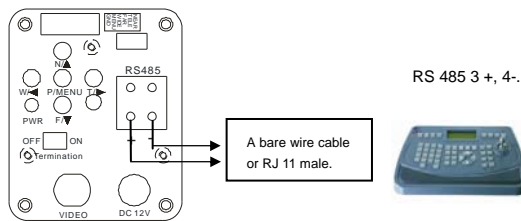
* You are cautioned that changes or modifications not expressly approved by the party responsible for compliance could void your authority to operate the equipment.

REAR PANEL



- Menu** : Press menu for 2 ~ 3 seconds, MENU OSD ON.
Direction button : Down / Left Right. N / F (Near / Far). T / W (TELE / WIDE)
RS 485 + - Termination : RS 485 control port.
 : OFF / ON
DC 12 V / 1A : Power supply.
Video Out : Video out connector.
Pan / Til dry connector : NEAR, TELE, FAR, WIDE, MENU, GND.

Control cable connect



5

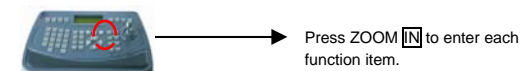
FUNCTION SETUP

Call camera menu pop up:
 Ex: One control keyboard from a CCTV manufactory in Taiwan.

1. Press numeric button (95) then preset button (preset) until 2 ~ 3 seconds after beep twice.
2. Press MENU button until 2 ~ 3 seconds after beep twice.



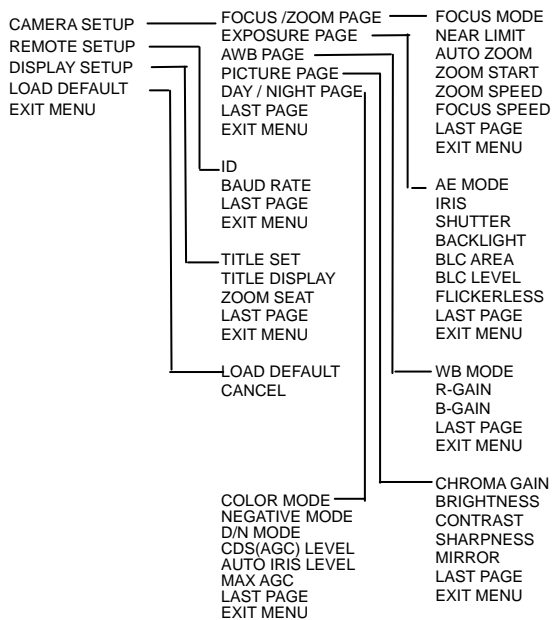
Function item move and values change:



6

MENU TREE

(Main menu)



In OSD MENU , camera will not to do AF adjustment

7

MENU SETUP

CAMERA SETUP	FOCUS/ZOOM PAGE
REMOTE SETUP	EXPOSURE PAGE
DISPLAY SETUP	AWB PAGE
LOAD DEFAULT	PICTURE PAGE
EXIT MENU	DAY/NIGHT PAGE
	LAST PAGE
	EXIT MENU

CAMERA SETUP

>FOCUS/ZOOM PAGE

FUNCTION	Values
FOCUS MODE	AUTO / MANUAL / 1 PUSH
NEAR LIMIT	1 cm / 10 cm / 50 cm / 1M / 2 M / 3 M / 5M / 10M
AUTO ZOOM	ON. / OFF.
ZOOM START	22X: 1X-20X 35X: 1X-30X
ZOOM SPEED	0-7
FOCUS SPEED	0-7 (Manual Focus Speed)
LAST PAGE	Return to previous page
EXIT MENU	EXIT MENU

1 PUSH: Just do auto focus one time after each zoom action.

NEAR LIMIT:
 When the zoom is 1x, the nearest distance range of auto focus.

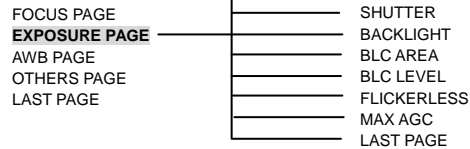
For example:
 When the object you are focusing is from 10M to limitless, you can then set the 10M to be the NEAR LIMIT.
 Under auto focus, the camera will start focusing from 10M, the auto focus range and focus time cost would be less than 1 CM NEAR LIMIT.

Auto Zoom ON:(Only available in auto focus mode.)
 If object is out of focus for 10~ 15 seconds, lens will auto zoom out and then auto focus again.

ZOOM START : You can set the ZOOM WIDE limit
 If you set the ZOOM START be 2X , the ZOOM Lens wide limit is 2X

8

>EXPOSURE PAGE



AE MODE	AUTO / SHUTTER / IRIS / MANUAL
IRIS	AUTO / MANUAL
SHUTTER	1/60 (1/50)-1/100,000 second
BACKLIGHT	ON / OFF
BLC AREA	CETNER / LEFT / RIGHT / TOP / BOTTOM
BLC LEVEL	LOW / NORMAL / HIGH
FLICKERLESS	ON / OFF.
LAST PAGE	Return to previous page
EXIT MENU	EXIT MENU

AE Mode

Set on AUTO (Auto Iris):
SHUTTER will be set on AUTO, and IRIS is on auto mode.

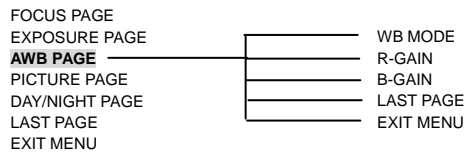
Set on SHUTTER:
SHUTTER is adjustable, and IRIS is on auto mode. (This mode is suggested to use in indoor.)

Set on IRIS:
IRIS is on Maximum mode, and SHUTTER is on auto mode. This mode is suggested to use in outdoor.

Set on MANUAL:
SHUTTER and IRIS are all on manual mode.
In this mode, the buttons Focus Near / Far become to control IRIS OPEN/CLOSE

FLICKERLESS MODE:
Flickerless function cannot work with backlight together.

>AWB PAGE



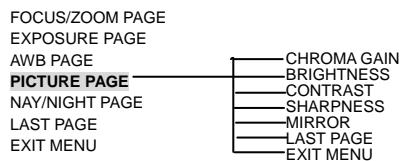
WB MODE	AUTO / MANUAL / INDOOR / OUTDOOR/AT-LOCK
R-GAIN	000 ~ 255
B-GAIN	000 ~ 255
LAST PAGE	Return to previous page
EXIT MENU	EXIT MENU

When WB MODE is set be AT-LOCK , you can press camera button "MENU" or remote "Zoom in" to adjust WB for one time , then the camera WB will lock

MANUAL: R-GAIN, B-GAIN can adjust by user

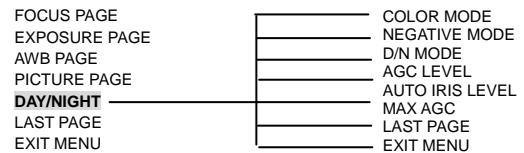
INDOOR / OUTDOOR value is fixed.

>PICTURE PAGE



CHROMA GAIN	30-60
BRIGHTNESS	0-20
CONTRAST	50-200
SHARPNESS	LOW / NORMAL / HIGH
MIRROR	ON/ OFF
LAST PAGE	Return to previous page
EXIT MENU	EXIT MENU

>DAY / NIGHT PAGE



COLOR MODE	ON / OFF
NEGATIVE MODE	ON / OFF
D/N MODE	AGC / DAY / NIGHT / CDS
AGC (CDS) LEVEL	AGC:0 ~ -15 / 0 ~ +15 CDS: 0 ~ -50 / 0 ~ +15
AUTO IRIS LEVEL	0 ~ -25 / 0 ~ +25
AGC MAX	50 ~ 250
LAST PAGE	Return to previous page

D / N mode (Day and Night mode):

-DAY: Force to day mode. (IR CUT ON)

-NIGHT: Force to night mode. (IR CUT OFF)

-AGC: Switch by AGC level.

(Only work on Auto / Shutter mode with BLC: OFF)

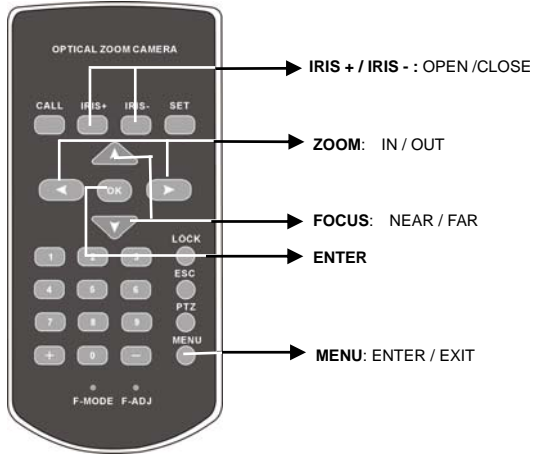
When you set the AGC to be high , the AGC MAX also need to set to higher

-CDS: Switch by CDS level.

AUTO IRIS level: On auto IRIS mode, brightness is adjustable by this level.

PS. Color and negative function, only active in DAY mode.

REMOTE CONTROLLER



17

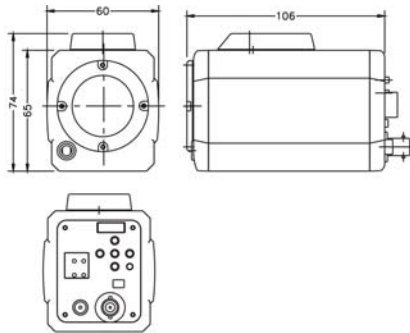
SPECIFICATION

Type	35x Zoom	22x Zoom
Pick up device	1/4" Interline transfer CCD	
Signal System	NTSC / PAL	
Total Pixels	NTSC:811(H)x508(V) / PAL:795(H)x596(V)	
Horizontal Resolution	530 TV Lines	
S/N Ratio	More Than 48 dB	
Lens	35X Zoom (f=3.6mm~126mm, F1.65~F4.2)	22X Zoom (f=3.9mm~85.8mm, F1.6~F3.7)
Minimum Illumination	0.5 Lux / F1.6	0.5 Lux / F1.6
Day/Night Function	AGC / DAY / NIGHT / CDS	
Zoom Speed	Max. speed 10 sec./ wide →tele	Max. speed 4 sec./ wide →tele
White Balance	Auto / Manual	
BLC Function	ON/OFF	
AGC	ON/OFF (level setup)	
Flickerless	ON / OFF	
Electronic Shutter	Auto / Manual/Shutter / IRIS	
Shutter Speed	NTSC: 1/60~1/100,000 sec. PAL: 1/50~1/100,000 sec.	
Focus	Auto / Manual / one push	
Preset Function	64	
OSD	For functions setting	
Video Output	1.0Vp-p / 75 ohm composite	
RS485 Control	RS485 with2400, 4800, 9600	
DC Power Source	DC 12V	
Operation Temperature	-10°C~50°C (14 to122°F)	
Storage Temperature	-20°C~70°C (-4 to158°F)	
Operation Humidity	10%~80% RH	
Storage Humidity	10%~80% RH	
Dimensions	62(W) x 112(D) x 74(H) mm	62(W) x 112(D) x 74(H) mm

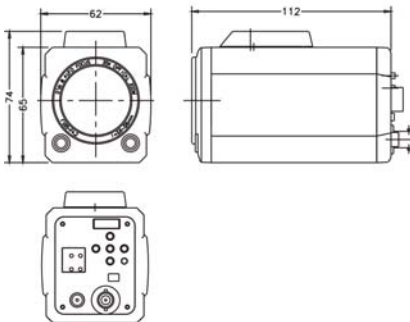
18

DIMENSION

22X Zoom



35X Zoom



19