



SL5650

To use Intel chipset and technology of iSCSI, SL5650/SL7650 provide expansion ability of 8 sets (4+4) SATA HDDs and high transfer rate by dual Gigabit LAN port. To apply the advantage of iSCSI and integrate your existing Internet server, you can construct a storage network which efficiency is able to compete with FC-SAN and back up your data anywhere as simple as using a local disk.



SL7650

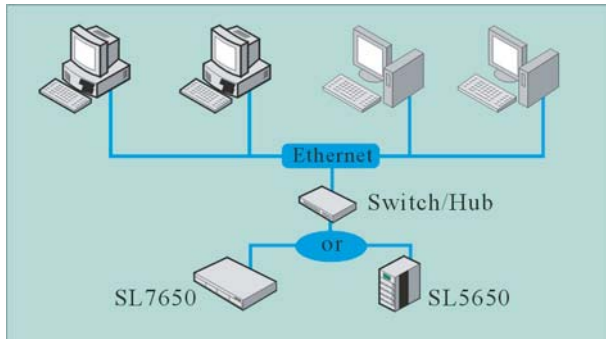
A Best Solution for Explosively Data Increase

SL5650/SL7650 provide dual channel design - 2 Gigabit LAN ports, also provide 1 x InfiniBand interface for expansion purpose. The eSATA interface is able to collocate with a 4 bays external storage device (ex. ST5650-4S-U5 or ST7610-4S-U5), then the SL5650/SL7650 will be upgraded as an iSCSI RAID subsystem which supports 8 SATA HDDs. If you use Gigabit LAN to connect with existing server and Internet framework, your server will increase more than one big drive instantly which equipped the high-end RAID security function. Depends on your business growing, the solution even could increase SL5650/SL7650 anytime and plan a best data back-up solution for future data increasing possibility.

Not Only for Data Sharing, But Also Your Remote O.S

SL5650/SL7650 are compatible with different O.S; **it supports LUN function that allows sharing purpose for multi-servers simultaneously and satisfying different demands such as SQL database accessing, data storage, data sharing and so forth.** The convenience enables you to access data or any application programs you required through existing Ethernet structure.

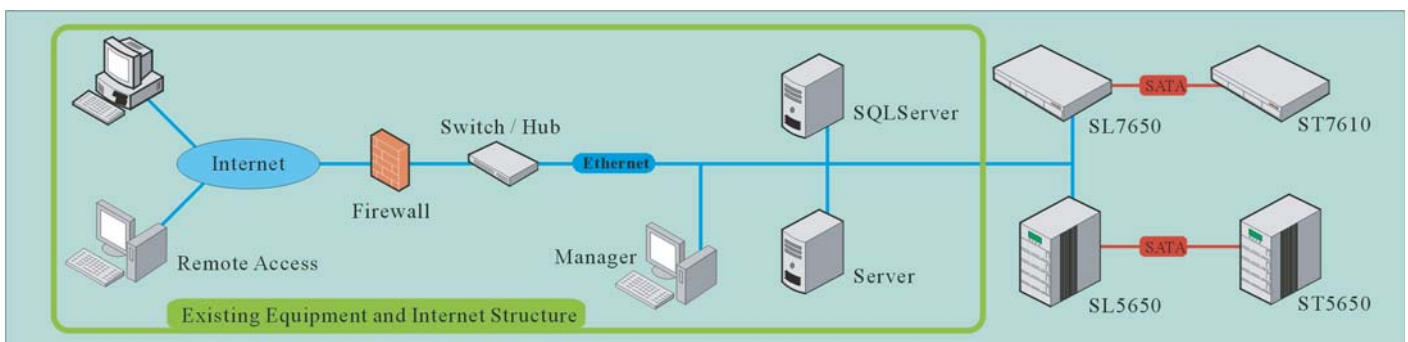
How to Apply SL5650/SL7650 with Existing Equipment and Save Your TCO?



Data sharing: Composes LUN function, it allows data sharing for multi-servers simultaneously.

Easy to manage: Cross plat-form as Windows & Mac & Linux; the Web-based interface enables you to set the RAID level or inspect the system easily.

Apply for: SMB, SOHO Group, Computer Center, Small Home Theater, and Internet Coffee shop.



Remote Access: Through Gigabit Ethernet and after setting the user authority, it will allow you to remote access as usual; the Dual Gigabit Ethernet is able to provide highest transfer rate up to 200MB/s.

High Expansibility: The volume expansion depends on the available IP and data increase as easy as the hard disk increased in your server. The chained SL5650/SL7650 are up to 32 units and the online data accessing absolutely won't conflict with other devices.

Data Back-up: Embedded with an 8 x HDDs RAID controller inside which supports RAID level 0,1,3,5,10,30,50; it is similar to an 8 bays high-end RAID subsystem and able to protect your data security.

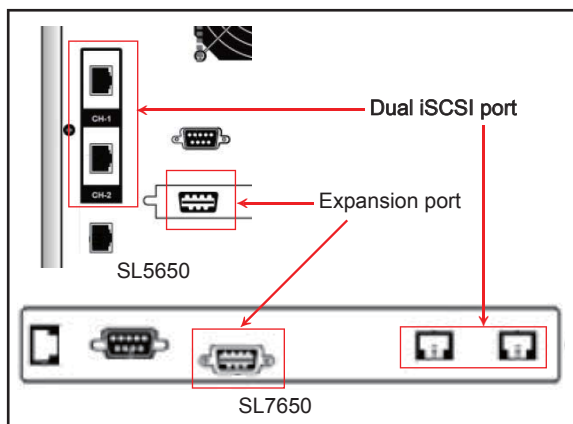
Low TCO: Apply for existing equipment and Internet structure; this solution exactly could help to save your TCO.

Apply for: SMB, SOHO Group, Audio & Video Editing Center.

Key Features

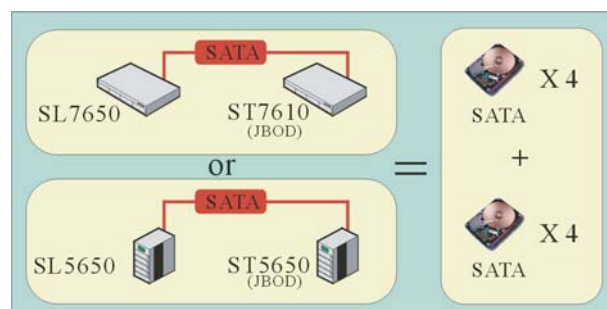
Dual Channel + 1 x infiniband Port for expansion

To use dual standard Gigabit Ethernet interface, it is not only to suit your Internet structure but also provide the highest transfer rate up to 200MB/s. The featured infiniband port design could upgrade your storage space instantly as 8 big drives totally!



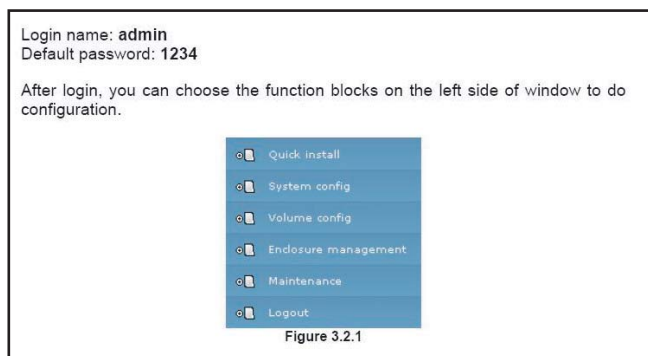
Doubling Capacity, Security Upgradeable (8 Bays RAID)

Embedded with an 8 channels RAID controller inside which supports RAID level 0,1,3,5,10,30,50. The main unit provides 4 x SATA hard drive trays only, but it is able to connect with another one JBOD device by 4 x eSATA ports, then the system is going to turn into an 8 bays RAID subsystem. The featured design enables you no longer to worry about the storage capacity and security once your data increase rapidly, it even could help to save at least 1/2 purchasing cost!



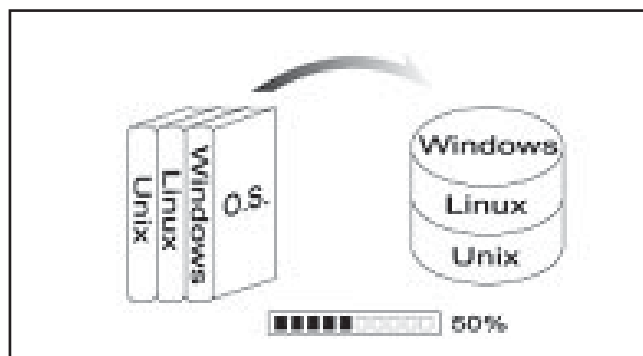
Web-based interface, Easy to operate

SL5650/SL7650 allow you to set the RAID Level / H/W parameter and inspect the H/W status by Management UI through the WEB and Serial Port(RS-232) connection. A big disk space as be created for the server via iSCSI solution, it enables you to control the storage space more efficient and easily from server end.



Online Data Auto-Rebuilding

The system will auto-rebuild the data by Hot-Spare or parity check after the HDD exchanged; it doesn't need any commend or shut down the operating system.



INITIATOR Software supports varies O.S Platform (Windows / Mac / Linux)

You could choose to install the Initiator software which be downloaded from Internet or use iSCSI HBA card; it enables you to link and use the iSCSI solution directly via this software or HBA card.

For Windows O.S:

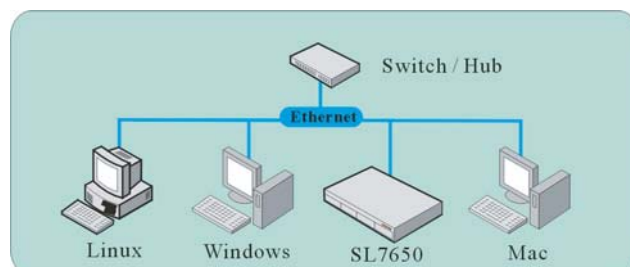
<http://www.microsoft.com/downloads/details.aspx?familyID=12cb3c1a-15d6-4585-b385-befd1319f825&DisplayLang=en>

For Linux O.S:

http://sourceforge.net/project/showfiles.php?group_id=26396

For Mac O.S:

<http://www.attotech.com/xtend.html>



Specification

Model No.	SL5650-4S-L4D	SL7650-4S-L4D
CPU	Intel Xscale IOP80331	
RAM	DDR 333 512MB	
Host Interface	Dual Gigabit Ethernet	
Driver Interface	SATA I / SATA II	
Transfer Rate	Up to 200MB/s	
Hard Disk	4 ; Extends to 8 HDDs	
RAID Level	0,1,0+1,3,5,6,10,30,50,60,JBOD	
Support Hot-Swap	Yes	
Largest Capacity	Over 2TB	
Fan	1x 8cm System Fan (80x80x20 mm)	2x 4cm System Fan (40x40x20 mm)
Power Supply	AC Input :100~240V~5A 50/60HZ DC Output :5V/12V Max Power:200W	
LED Display	Yes	
System Inspection	Yes	
Buzzer On/Off	Yes	
Management UI	Web & VT-100	
System Requirement	Windows 2000/2003 & Mac 10 & Linux 2.4 or above	
Safety Guarantee	CE/FCC	
Dimension (mm)	177W x 270D x 274H	430W x 420D x 43H
Weight (kg)	7.4	7
Accessories	CD / User's Manual / AC Power Cable / Accessories bag / RS232 Cable	

*The product specification may be changed and without notice.

Your Data Security Guardian



7F-9, No.16, Lane 609, Sec.5, Chung-Hsin Rd.,
San-Chung City, Taipei, Taiwan
<http://www.RAIDON.com.tw>
E-mail:sales1@raidon.com.tw
Tel:886-2-2278-9697
Fax:886-2-2278-9659



RAIDON is a registered trademark of RAIDON Technology Inc., Other brand names and product names are trademark or registered trademarks of their respective companies. This specification maybe changed without notice.