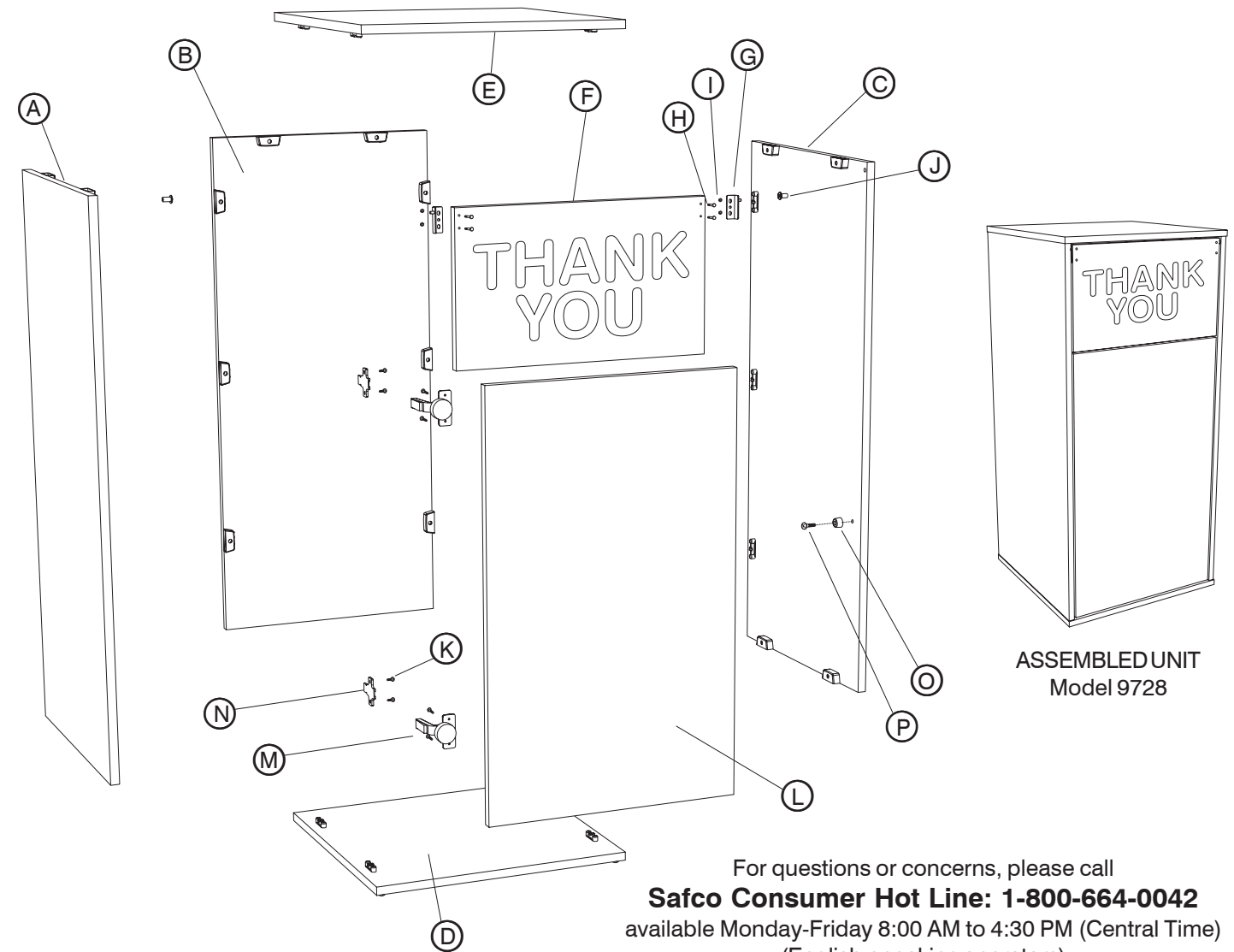


PARTS LIST			
LETTER CODE	DESCRIPTION	QTY.	PART NO.
(A)	Left Side Panel	1	9728-03
(B)	Back Panel	1	9728-01
(C)	Right Side Panel	1	9728-04
(D)	Bottom Panel with Glides	1	9728-02
(E)	Top Panel	1	9728-05
(F)	Small Door (reversible)	1	9728-07
(G)	Hinge Plate with Peg	2	9728-29
(H)	Button Head Bolt	4	9728-23

PARTS LIST			
LETTER CODE	DESCRIPTION	QTY.	PART NO.
(I)	Nut	4	9728-24
(J)	Plastic Insert	2	9728-30
(K)	Mounting Screw	8	9728-27
(L)	Large Door	1	9728-09
(M)	Door Hinge Mount Plate	2	9728-14
(N)	Door Hinge	2	9728-15
(O)	Bumper	1	9728-16
(P)	Small Bumper Screw	1	9728-25

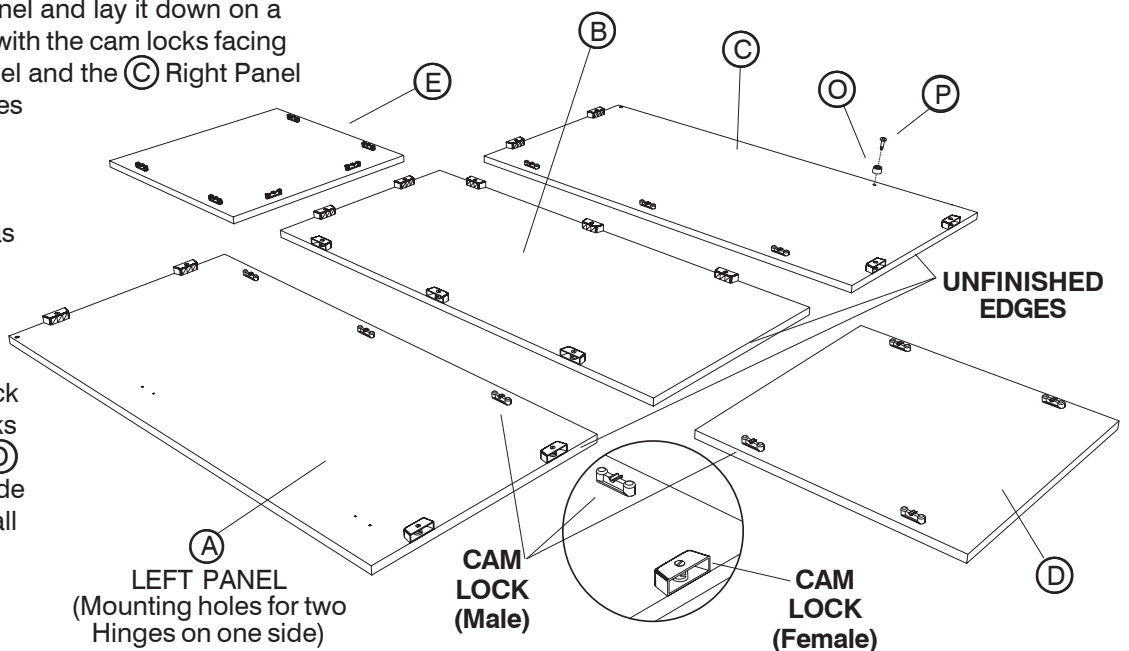
TOOLS REQUIRED: FLAT-BLADED & PHILLIPS SCREWDRIVER, WRENCH, RUBBER Mallet

Note; when corresponding about wood parts, be sure to state color (gray or medium oak)

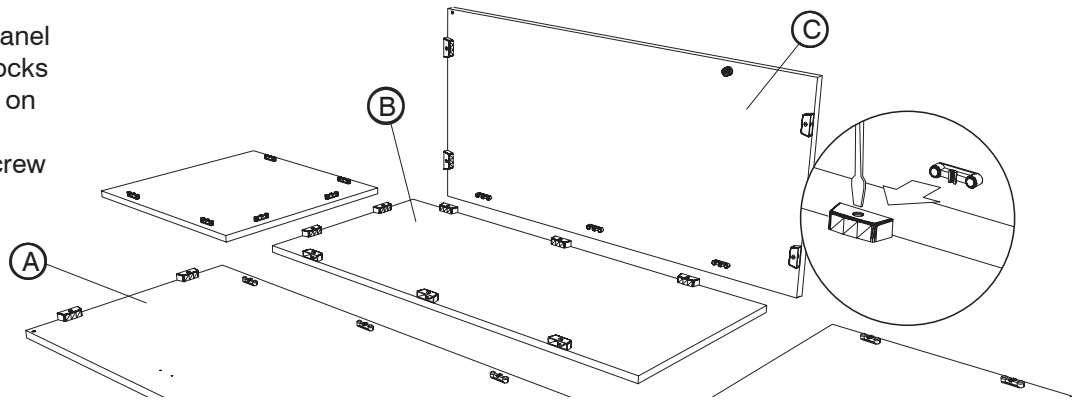


For questions or concerns, please call
Safco Consumer Hot Line: 1-800-664-0042
 available Monday-Friday 8:00 AM to 4:30 PM (Central Time)
 (English-speaking operators)

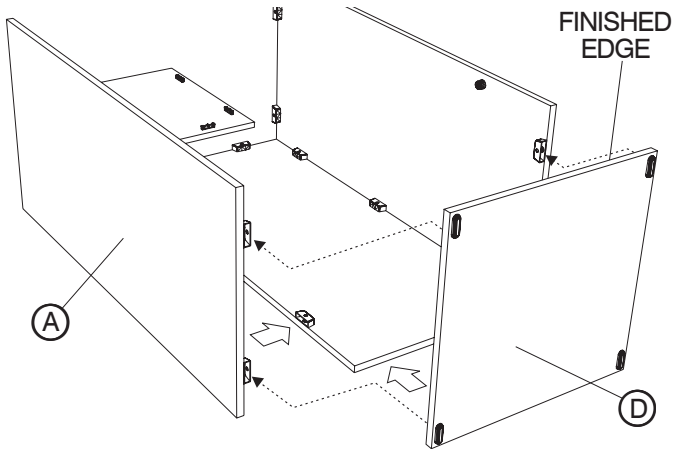
1 Locate the (B) Back Panel and lay it down on a smooth, clean surface with the cam locks facing up. Lay the (A) Left Panel and the (C) Right Panel on the left and right sides of the Back Panel. Arrange the (E) Top Panel, and (D) Bottom Panel (Bottom Panel has four female Cam Locks on one side and four plastic feet on bottom side) at the top and bottom ends of the Back Panel with the cam locks facing up. Fasten the (O) Bumper to the Right Side Panel using the (P) Small Bumper Screw.



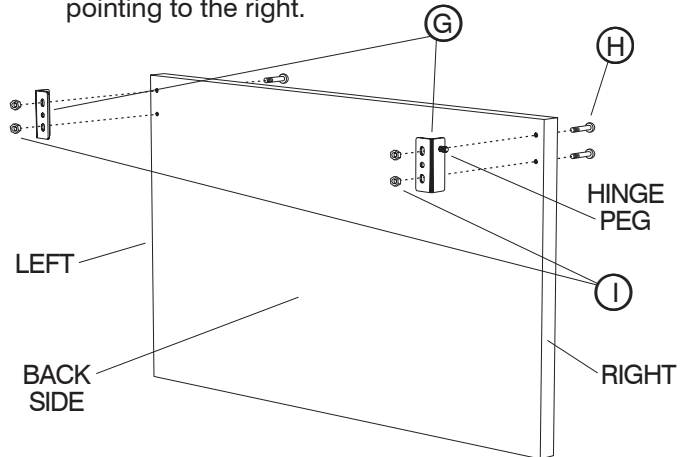
- 2** Raise the **(C)** Right Side Panel and insert the male cam locks into the female cam locks on the **(B)** Back Panel. Lock each cam by turning its screw 1/4 turn clockwise.



- 3** Raise the **(A)** Left Side Panel and insert the male cam locks into the female cam locks on the Back Panel. Lock each cam by turning its screw 1/4 turn clockwise. Insert the cam locks on the **(D)** Bottom Panel (finished edge to the front) into the cam locks on the left and right panels.

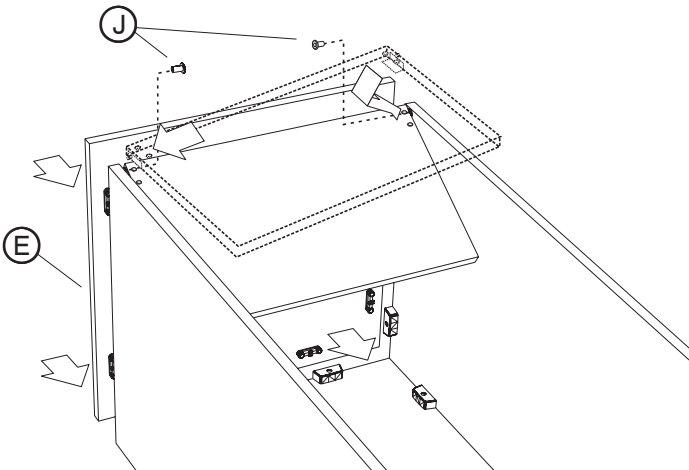


- 4** Determine which side of the **(F)** Small Door will face outward. From the back side fasten one **(G)** Hinge Plate with Peg to the upper left edge of the Small Door with two **(H)** Button Head Bolts and two **(I)** Nuts (hinge peg should be pointing to the left). Repeat for second hinge plate, with this hinge peg pointing to the right.



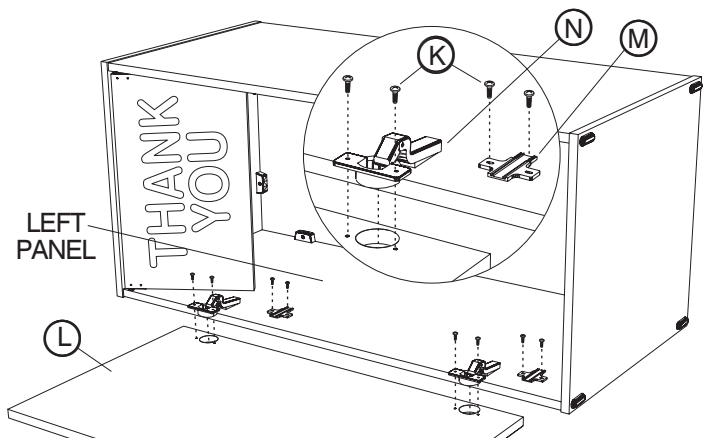
- 5** Press the **(J)** Plastic Inserts into the small hole near the upper end of each side panel. Carefully tilt the **(F)** Small Door until the Hinge Plate pegs can be inserted into the Plastic Inserts.

Insert the cam locks on the **(E)** Top Panel into the cam locks on the upper end of the Left, Right and Back panels. Lock each cam by turning its screw 1/4 turn clockwise. Check to be sure all cams are locked.



- 6** Turn the cabinet onto its left side. Tap the **(N)** Door Hinges into the recesses on the **(L)** Large Door. Fasten using **(K)** Screws through the hinge leaf and into the pre-drilled holes. Use **(K)** Screws to fasten the **(M)** Door Hinge Mount Plates onto the left panel, through the hinge leaf and into the pre-drilled holes.

NOTE: large door is easier to install when cabinet is placed on its side!



- 7** Bend the arm of the Hinge and slide the arm into the Hinge Mount Plate. Set the Waste Receptacle upright. Center the Lower Door panel by adjusting the set screws on the Door Hinges either in or out as needed.

- 8** Adjust the Upper Door vertically so it does not brush against the Lower Door panel. Do this by loosening the screws on the hinge plates, and repositioning the panel. Re-fasten all screws. Place the Plastic Liner (model 9669, sold separately) in the cabinet.

