



# REFRIGERATION

## Built-In 42"W. Side-By-Side Refrigerator/Freezer with Dispenser



### Standard Features & Accessories

#### All models include

- Total capacity—23.6 cu. ft. (667.9 L)
  - 84"H./24"D.
- ProChill™ Temperature Management System
  - Variable-speed, single compressor system includes the quietest, most technologically advanced compressor available
  - Electronic controls maintain the temperature selection within 1°F
  - Multi-channel airflow system removes odors and excess humidity
- Frost-free refrigerator
  - Capacity—15.0 cu. ft. (424.8 L)
  - Five adjustable tempered glass spill-proof shelves
  - Convertible temperature-controlled Meat Savor™/produce drawer with precision ball-bearing glide
    - Separate temperature control can be set for produce or fresh meat storage
- Frost-free freezer
  - Capacity—8.6 cu. ft. (243.4 L)
  - Adaptive defrost
  - Factory-installed automatic ice maker
  - Three wire shelves and slide-out basket
  - Four adjustable aluminum door bins
- Quick-chill option chills foods and beverages in minutes
- Moisture adjustable see-through produce drawer with precision ball-bearing glides
- Two in-the-door dairy compartments
- Four adjustable aluminum door bins
- Top-shelf provides quick chill-down area
- Egg bin and butter tray
- Three large adjustable aluminum door bins with tempered glass front
- Ice/water dispenser
  - Through-the-door dispenser provides cubed/crushed ice and water
  - Premium water filter removes bad tastes, odors, sediment, and harmful contaminants
- Open door alarm sounds and glows to warn that door has been ajar for three minutes
- Adjustable door stops standard—90°, 110°, or 120° swing
- Sabbath Mode

### Model Options



**VCSB423D/VISB423D**  
Professional/Professional  
Integrated

- FINISH DETAILS FOR VCSB/VISB MODEL**
- Stainless Steel (SS), Black (BK), White (WH), Metallic Silver (MS), Graphite Gray (GG), Stone Gray (SG), Taupe (TP), Biscuit (BT), Cotton White (CW), Oyster Gray (OG), Golden Mist (GM), Lemonade (LE), Sage (SA), Mint Julep (MJ), Sea Glass (SE), Iridescent Blue (IB), Viking Blue (VB), Pumpkin (PM), Racing Red (RR), Apple Red (AR), Burgundy (BU), Plum (PL), Chocolate (CH), and Cobalt Blue (CB).
  - Finish codes designate door fronts. Stainless steel upper grille, side trim, and handles (with chrome-plated brackets); black lower kickplate.
  - Brass Trim Option (BR)—nameplate, handle/brackets, and side trim. Brass components have a durable protective coating for maintenance-free normal use.



**DDSB423D**  
Designer

- FINISH DETAILS FOR DDSB MODEL**
- Stainless Steel (SS), Black (BK), White (WH), Metallic Silver (MS), Graphite Gray (GG), Stone Gray (SG), Taupe (TP), Biscuit (BT), Cotton White (CW), Oyster Gray (OG), Golden Mist (GM), Lemonade (LE), Sage (SA), Mint Julep (MJ), Sea Glass (SE), Iridescent Blue (IB), Viking Blue (VB), Pumpkin (PM), Racing Red (RR), Apple Red (AR), Burgundy (BU), Plum (PL), Chocolate (CH), and Cobalt Blue (CB).
  - Finish codes designate door fronts. Stainless steel upper grille, side, trim, and handles, with black lower kickplate.
  - Brass Trim Option (BR)—handle. Brass components have a durable protective coating for maintenance-free normal use.



**DFSB423D**  
Custom Front

- FINISH DETAILS FOR DFSB MODEL**
- Handles not included—opt for custom handles, or purchase a Viking Professional Series or Designer Series handle kit (see **Installation Notes & Accessories**).
  - See **Custom Panels** section for more information and additional specifications.

#### ORDERING INSTRUCTIONS

First specify model number, and then color code (VCSB423D**SS**). If ordering optional brass trim, specify code at end (VCSB423D**SSBR**).





# REFRIGERATION

## Built-In 42"W. Side-By-Side Refrigerator/Freezer with Dispenser



★ Please see Installation Notes & Accessories for important information, including panel and handle kits, and water filters.



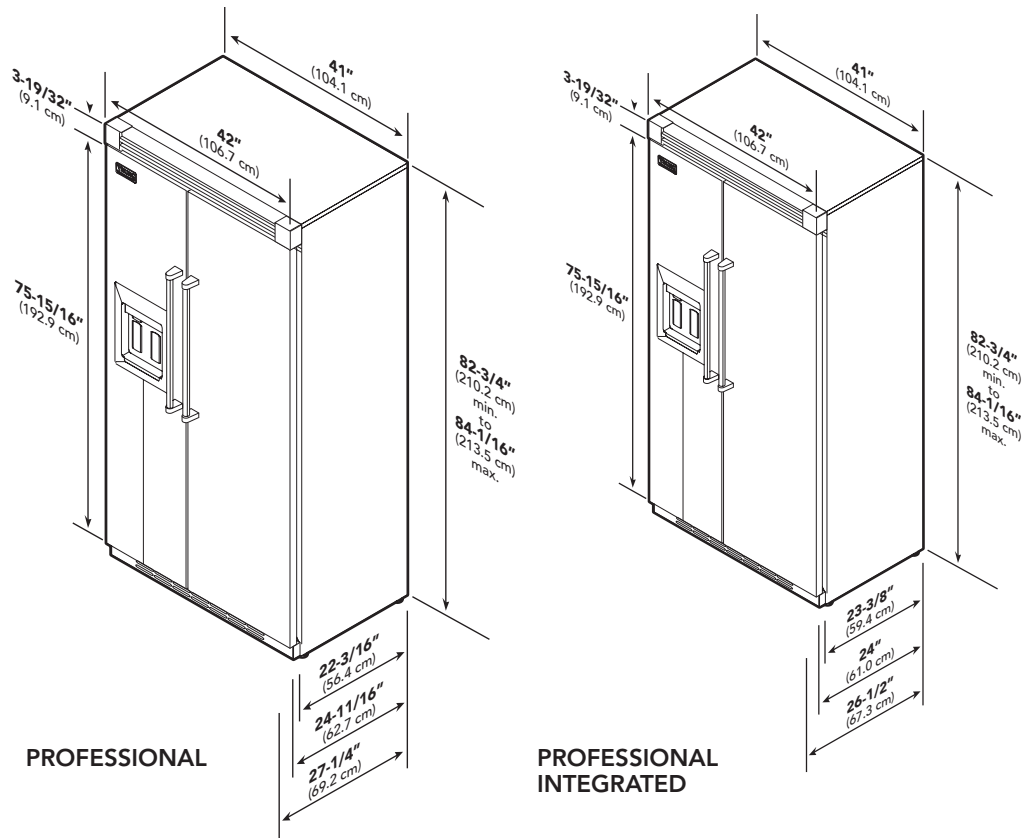
Star-K Kosher Certification for use on the Jewish Sabbath or Jewish holidays

### Dimensions & Specifications

#### PRODUCT DIMENSIONS



VCSB423D/VISB423D Professional/Professional Integrated



|                              | VCSB423D  | VISB423D          |
|------------------------------|---|-------------------|
| Overall width                | 42" (106.7 cm)                                      |                   |
| Overall height (from bottom) | 82-3/4" (210.2 cm) min. to 84-1/16" (213.5 cm) max. |                   |
| Overall depth (from rear)    |   |                   |
| To front edge of side trim   | 22-3/16" (56.4 cm)                                  | 23-3/8" (59.4 cm) |
| To front of top grille       | 24-11/16" (62.7 cm)                                 | 24" (61.0 cm)     |
| To front of handle           | 27-1/4" (69.2 cm)                                   | 26-1/2" (67.3 cm) |
| Approx. ship weight          | 676 lbs. (304.2 kg)                                 |                   |





★ Please see **Installation Notes & Accessories** for important information, including panel and handle kits, and water filters.



Star-K Kosher Certification for use on the Jewish Sabbath or Jewish holidays

**Dimensions & Specifications**

**PRODUCT DIMENSIONS**

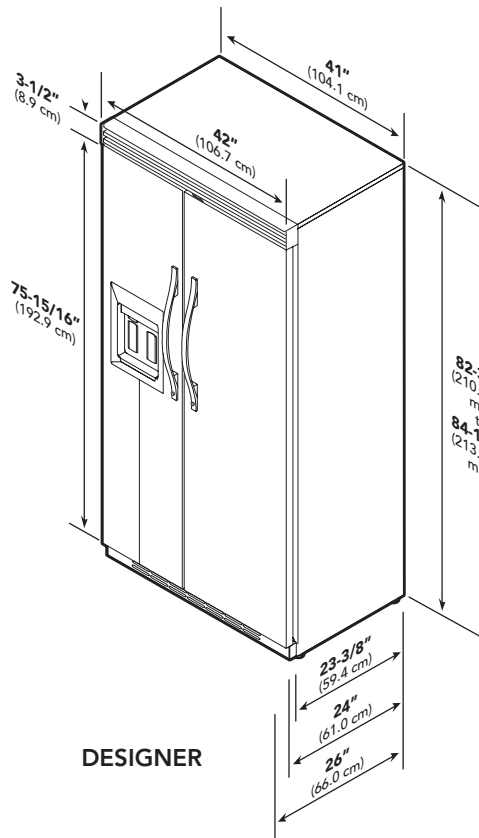


**DDSB423D**  
Designer

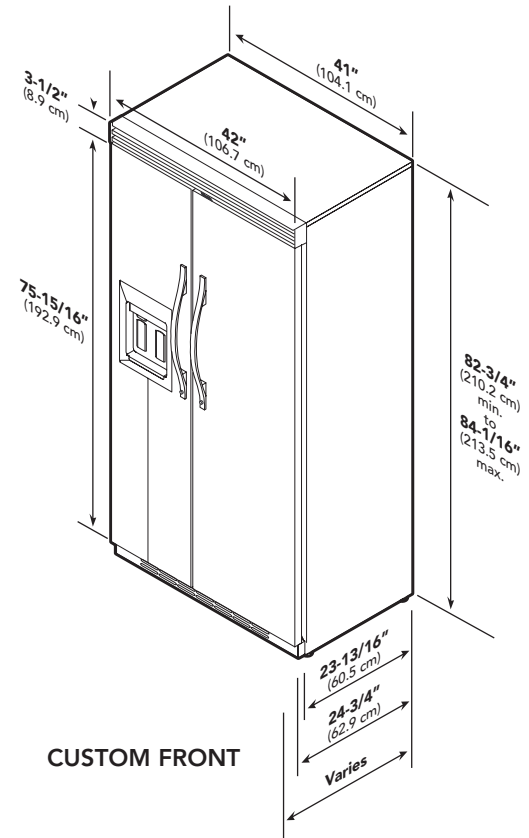


**DFSB423D**  
Custom Front

See **Custom Panels** section for more information and additional specifications.



**DESIGNER**



**CUSTOM FRONT**

|                              | <b>DDSB423D</b>  | <b>DFSB423D</b>     |
|------------------------------|--|---------------------|
| Overall width                | <b>42" (106.7 cm)</b>                                      |                     |
| Overall height (from bottom) | <b>82-3/4" (210.2 cm) min. to 84-1/16" (213.5 cm) max.</b> |                     |
| Overall depth (from rear)    |  |                     |
| To front edge of side trim   | 23-3/8" (59.4 cm)  | 23-13/16" (60.5 cm) |
| To front of top grille       | 24" (61.0 cm)  | 24-3/4" (62.9 cm)   |
| To front of handle           | 26" (66.0 cm)  | Varies              |
| Approx. ship weight          | 665 lbs. (299.3 kg)  | 525 lbs. (236.2 kg) |



# REFRIGERATION

## Built-In 42"W. Side-By-Side Refrigerator/Freezer with Dispenser



### Dimensions & Specifications

#### DOOR SWING

- Adjustable door stops standard—90°, 110°, or 120° swing



**VCSB423D/VISB423D**  
Professional/Professional  
Integrated

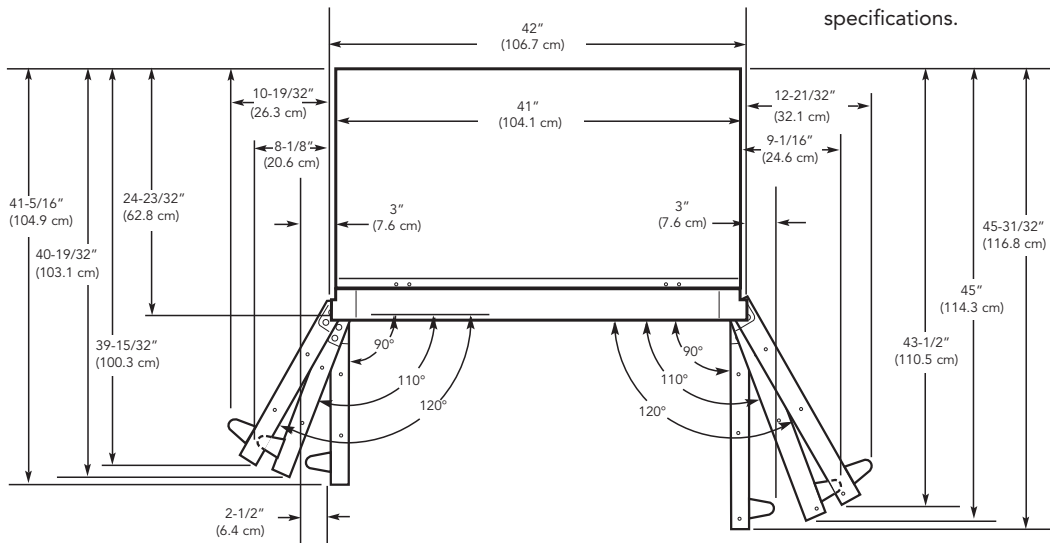


**DDSB423D**  
Designer

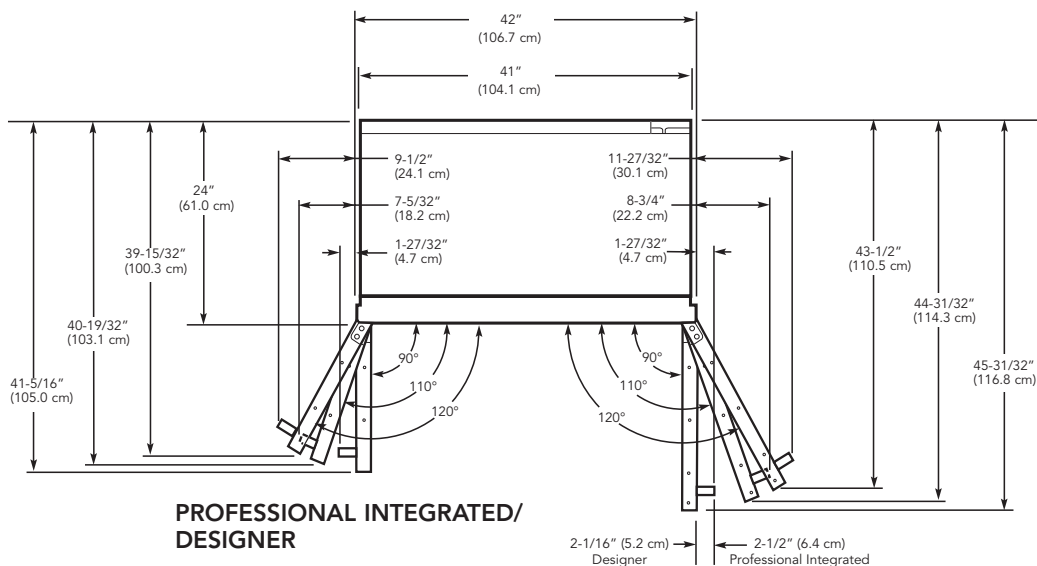


**DFSB423D**  
Custom Front

See **Custom Panels** section for more information and additional specifications.



**PROFESSIONAL**



**PROFESSIONAL INTEGRATED/  
DESIGNER**





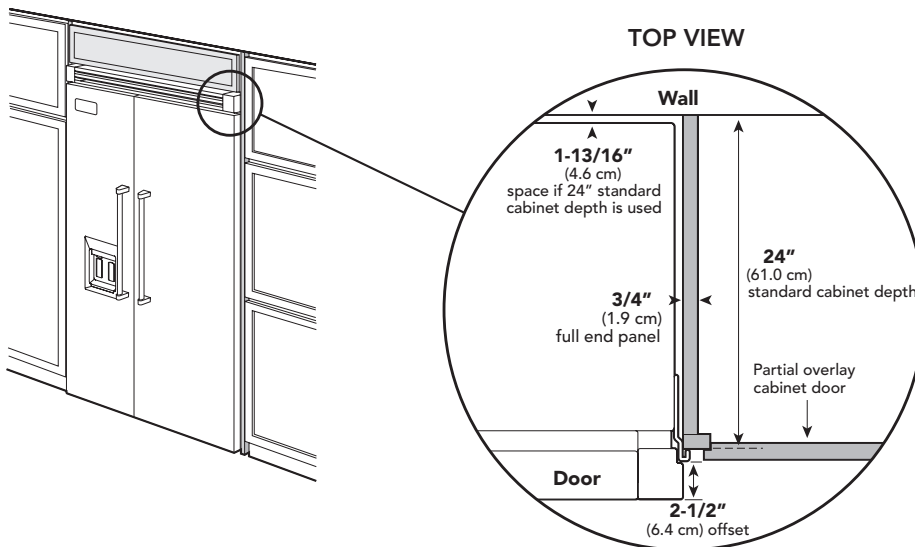
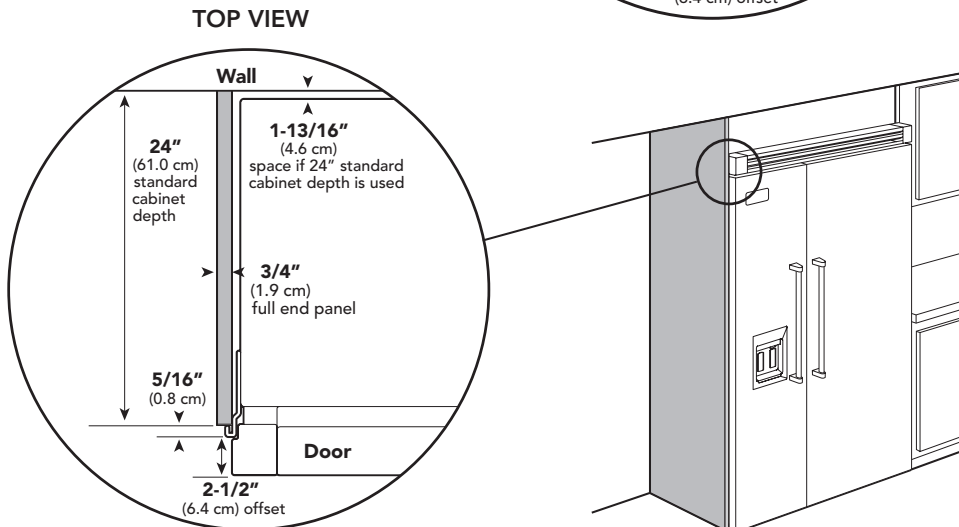
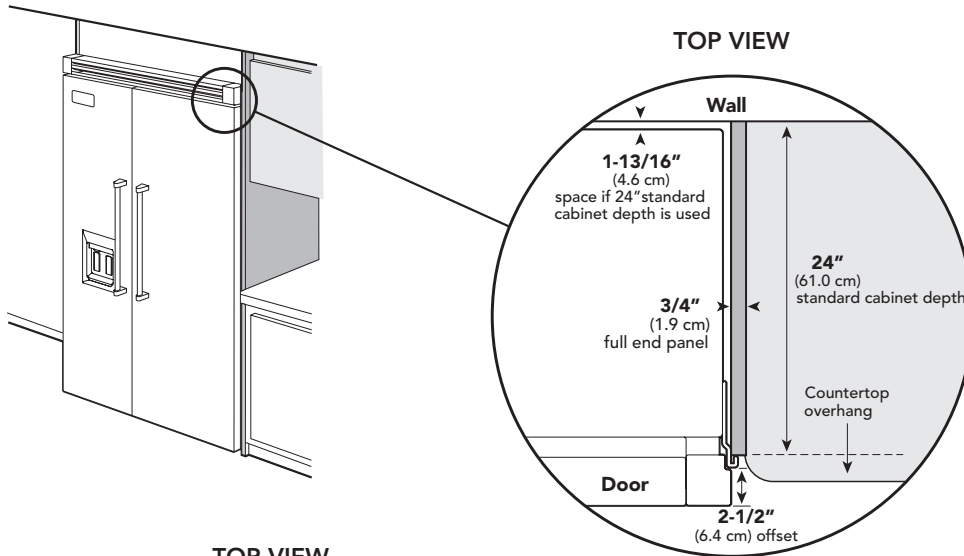
# REFRIGERATION

## Built-In 42"W. Side-By-Side Refrigerator/Freezer with Dispenser



### Dimensions & Specifications

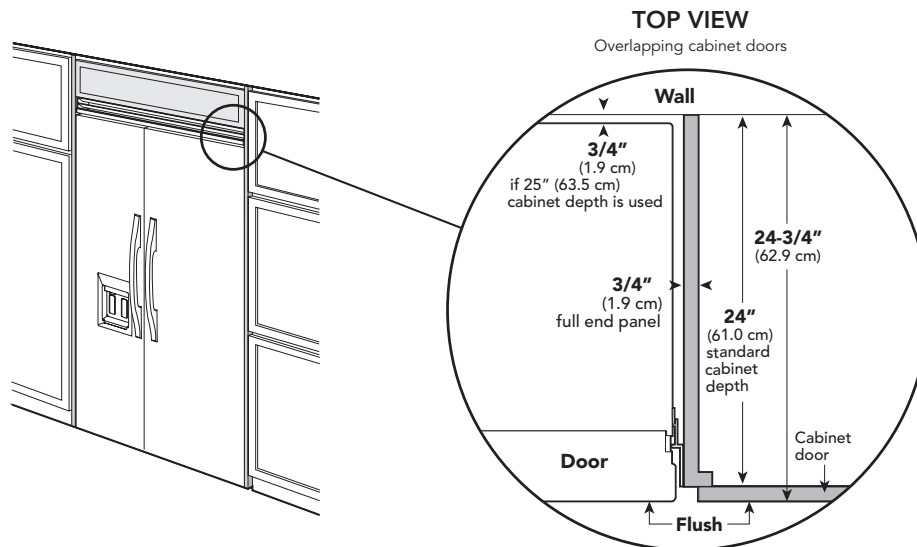
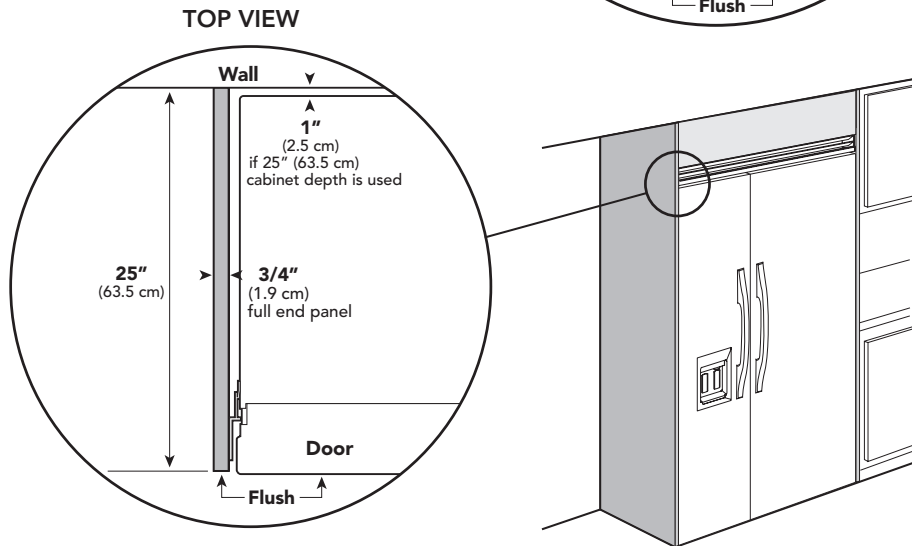
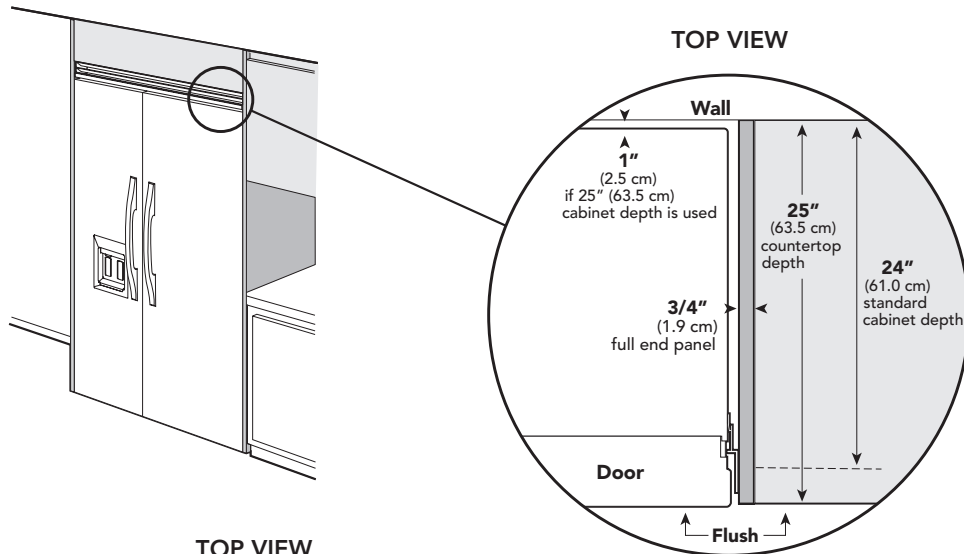
#### CLEARANCE DIMENSIONS—PROFESSIONAL





## Dimensions & Specifications

### CLEARANCE DIMENSIONS—PROFESSIONAL INTEGRATED/DESIGNER





### UTILITY REQUIREMENTS



**GAS**  
Not applicable



- ELECTRICAL**
- Three-wire cord with grounded three-prong plug attached to product
  - 115 VAC 60 Hz; 15 amp dedicated circuit
  - Maximum amp usage—9.9
  - Estimated energy usage—694 kWh/year



- PLUMBING**
- Inlet waterline requirements—1/4" copper tubing
  - 35 psi min.; 120 psi max.

## Installation Requirements

### ACCESS REQUIREMENTS



**VCSB423D/VISB423D**  
Professional/Professional Integrated

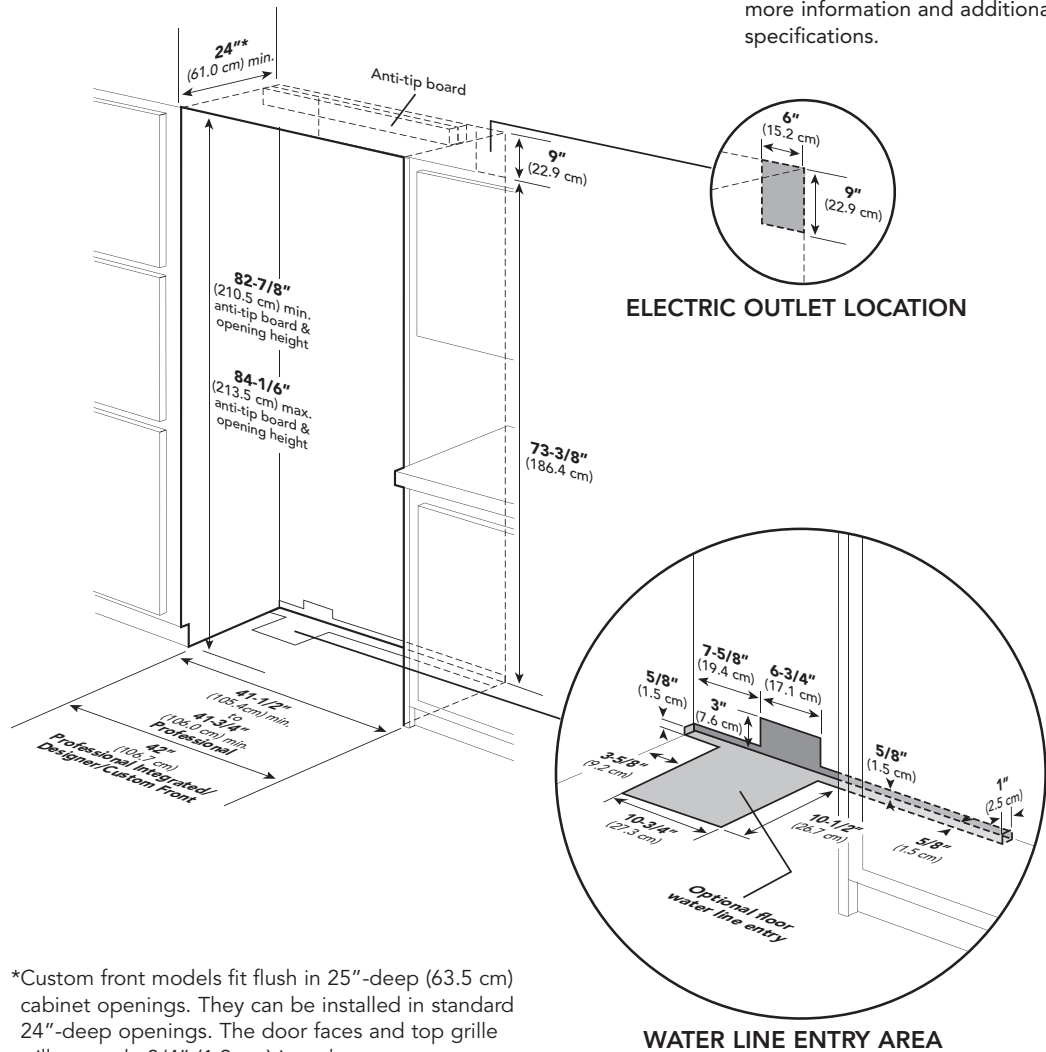


**DDSB423D**  
Designer



**DFSB423D**  
Custom Front

See **Custom Panels** section for more information and additional specifications.



\*Custom front models fit flush in 25"-deep (63.5 cm) cabinet openings. They can be installed in standard 24"-deep openings. The door faces and top grille will protrude 3/4" (1.9 cm) into the room.

|               | VCSB423D  | VISB423D       | DDSB423D       | DFSB423D       |
|---------------|---|----------------|----------------|----------------|
| Cutout width  | 41-1/2" (105.4 cm) min. to 41-3/4" (106.0 cm) max.  | 42" (106.7 cm) | 42" (106.7 cm) | 42" (106.7 cm) |
| Cutout height | 82-7/8" (210.5 cm) min. to 84-1/16" (213.5 cm) max. |                |                |                |
| Cutout depth  | 24" (61.0 cm) min.*                                 |                |                |                |



# REFRIGERATION

## Built-In 42"W. Side-By-Side Refrigerator/Freezer with Dispenser



### ★ Installation Notes & Accessories

#### Side Panel Kits

- Stainless Steel (SS)
- Panels provide finished, freestanding look; unit must still be secured to the wall
- Kit includes one panel and installation hardware

| Model  | Description                                | Approx. ship wt. lbs. (kg) |
|--------|--|----------------------------|
| PSSPL2 | Professional side panel left (VCSB)        | 45 (20.2)                  |
| PSSPR2 | Professional side panel right (VCSB)       | 45 (20.2)                  |
| DSSPL2 | Designer side panel left (VISB/DDSB/DFSB)  | 45 (20.2)                  |
| DSSPR2 | Designer side panel right (VISB/DDSB/DFSB) | 45 (20.2)                  |

#### Side Panel Hardware Kit

- For use with Designer built-in refrigerator/freezers
- Hardware allows installation of custom side panels
- Kit includes brackets, screws, and installation instructions to mount panels on left and right side

| Model  | Description         | Approx. ship wt. lbs. (kg) |
|--------|---------------------|----------------------------|
| SPHKDS | Side panel hardware | 3 (1.4)                    |

#### Top Panel Kit

- Stainless Steel (SS)
- Panel provides finished, freestanding look; unit must still be secured to the wall
- Kit includes one panel and installation hardware

| Model  | Description     | Approx. ship wt. lbs. (kg) |
|--------|-----------------|----------------------------|
| TOP-42 | 42"W. top panel | 23 (10.4)                  |

#### Handle Kits

- For use with custom front refrigerator/freezers
- For use on locally supplied custom front panels
- Handles allow refrigerator/freezers with custom front panel to coordinate with other Professional and Designer products
- Kit includes two handles and installation hardware

| Model       | Description                            | Approx. ship wt. lbs. (kg) |
|-------------|--|----------------------------|
| PHK-DFSB-SS | Professional handles (Stainless Steel) | 10 (4.5)                   |
| PHK-DFSB-BR | Professional handles (Brass)           | 10 (4.5)                   |
| HKFDS-SS    | Designer handles (Stainless Steel)     | 10 (4.5)                   |
| HKFDS-BR    | Designer handles (Brass)               | 10 (4.5)                   |

#### Replacement Water Filter

- Reduces sediment, taste, and odor
- Reduces cysts, particulates, turbidity, lead, chlorine, atrazine, and lindane
- NSF-certified
- Ready to install—no assembly required
- Replacement recommended every nine months

| Model    | Description              | Approx. ship wt. lbs. (kg) |
|----------|--------------------------|----------------------------|
| RWF-DISP | Replacement water filter | 5 (2.3)                    |

#### Compliance Information



#### WARRANTY SUMMARY\*

- Two-year full warranty—complete unit
- Six-year full warranty—sealed refrigeration system and automatic ice maker
- Twelve-year limited warranty—sealed refrigeration system (includes compressor, condenser, dryer/strainer, evaporator, and connecting tubing)
- Ninety-day limited warranty—cosmetic parts such as glass, painted, and decorative items

\*For complete warranty see *Use & Care Guide*. Warranty valid on Viking products shipped within the United States and Canada.

