



Standard Features & Accessories

All models include

- Total capacity—20.3 cu. ft. (574.5 L)
 - 84"H./24"D.
- ProChill™ Temperature Management System
 - Variable speed single compressor system includes the quietest, most technologically advanced compressor available
 - Electronic controls maintain the temperature selection within 1°F
 - Multi-channel airflow system removes odors and excess humidity
- Frost-free refrigerator
 - Capacity—15.2 cu. ft. (430.2 L)
 - Five adjustable tempered glass spill-proof shelves
 - Convertible temperature-controlled Meat Savor™/produce drawer with precision ball-bearing glides
- Separate temperature control can be set for produce or fresh meat storage
 - Quick-chill option chills foods and beverages in minutes
- Two moisture adjustable see-through produce drawers with precision ball-bearing glides
- Two in-the-door dairy compartments with covers
- Five adjustable aluminum door bins with tempered glass fronts
- Top shelf provides quick chill-down area
- Egg bin and butter tray
- Frost-free freezer
 - Full-extension freezer drawer with positive self-closing feature
- Capacity—5.1 cu. ft. (44.3 L)
 - Adaptive defrost
 - Factory-installed automatic ice maker
 - Two slide-out wire baskets
- Open door alarm sounds and glows to warn that door has been ajar for three minutes
- Adjustable door stops standard—90°, 110°, or 120° swing
- Sabbath Mode
- Must be ordered right or left hinge. (As you face unit, RIGHT has hinge on right side and handle on left side; LEFT has hinge on left side and handle on right side.)

Model Options



VCBB363/VIBB363
Professional/Professional
Integrated

- FINISH DETAILS FOR VCBB/VIBB MODELS**
- Stainless Steel (SS), Black (BK), White (WH), Metallic Silver (MS), Graphite Gray (GG), Stone Gray (SG), Taupe (TP), Biscuit (BT), Cotton White (CW), Oyster Gray (OG), Golden Mist (GM), Lemonade (LE), Sage (SA), Mint Julep (MJ), Sea Glass (SE), Iridescent Blue (IB), Viking Blue (VB), Pumpkin (PM), Racing Red (RR), Apple Red (AR), Burgundy (BU), Plum (PL), Chocolate (CH), and Cobalt Blue (CB).
 - Finish codes designate door fronts. Stainless steel upper grille, side trim, and handles (with chrome-plated brackets); black lower kickplate.
 - Brass Trim Option (BR)—nameplate, handle/brackets, and side trim. Brass components have a durable protective coating for maintenance-free normal use.



DDBB363
Designer

- FINISH DETAILS FOR DDBB MODEL**
- Stainless Steel (SS), Black (BK), White (WH), Metallic Silver (MS), Graphite Gray (GG), Stone Gray (SG), Taupe (TP), Biscuit (BT), Cotton White (CW), Oyster Gray (OG), Golden Mist (GM), Lemonade (LE), Sage (SA), Mint Julep (MJ), Sea Glass (SE), Iridescent Blue (IB), Viking Blue (VB), Pumpkin (PM), Racing Red (RR), Apple Red (AR), Burgundy (BU), Plum (PL), Chocolate (CH), and Cobalt Blue (CB).
 - Finish codes designate door fronts. Stainless steel upper grille, side trim, and handles, with black lower kickplate.
 - Brass Trim Option (BR)—handle. Brass components maintenance-free normal use.



DFBB363
Custom Front

- FINISH DETAILS FOR DFBB MODEL**
- Handles not included—opt for custom handles, or purchase a Viking Professional Series or Designer Series handle kit (see **Installation Notes & Accessories**).
 - See **Custom Panels** section for more information and additional specifications.

ORDERING INSTRUCTIONS

First specify model number, followed by hinge preference ("R" for right or "L" for left), and then color code (VCBB363**RSS**). If ordering optional brass trim, specify code at end (VCBB363**RSSBR**).



REFRIGERATION

Built-In 36" W. Bottom-Mount Refrigerator/Freezer



★ Please see Installation Notes & Accessories for important information, including panel, grille, and handle kits.

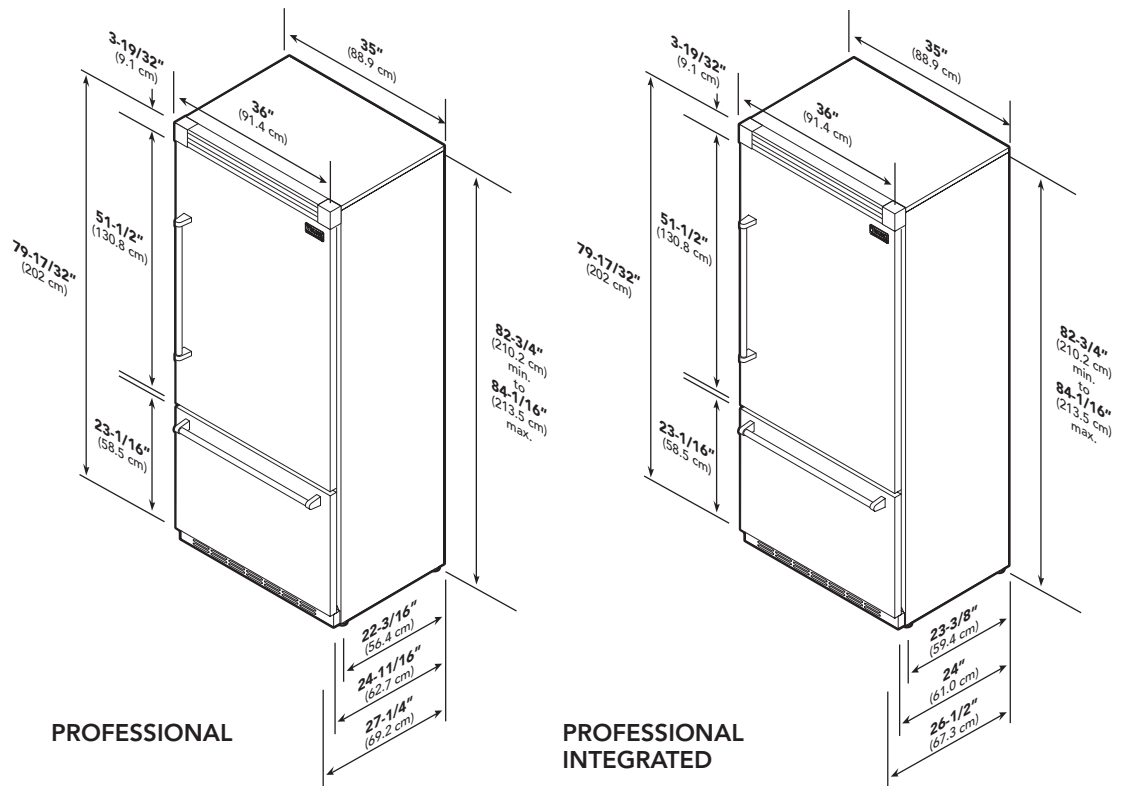
★ ALL MODELS
Star-K Kosher Certification for use on the Jewish Sabbath or Jewish holidays

Dimensions & Specifications

PRODUCT DIMENSIONS



VCBB363/VIBB363
Professional/Professional Integrated



	VCBB363	VIBB363
Overall width	36" (91.4 cm)	
Overall height (from bottom)	82-3/4" (210.2 cm) min. to 84-1/16" (213.5 cm) max.	
Overall depth (from rear)		
To front edge of side trim	22-3/16" (56.4 cm)	23-3/8" (59.4 cm)
To front of top grille	24-11/16" (62.7 cm)	24" (61.0 cm)
To front of handle	27-1/4" (69.2 cm)	26-1/2" (67.3 cm)
Approx. ship weight	565 lbs. (254.3 kg)	





★ Please see
Installation Notes &
Accessories
for important
information,
including panel,
grille, and handle
kits.

★ ALL MODELS
Star-K Kosher
Certification for
use on the Jewish
Sabbath or Jewish
holidays

Dimensions & Specifications

PRODUCT DIMENSIONS

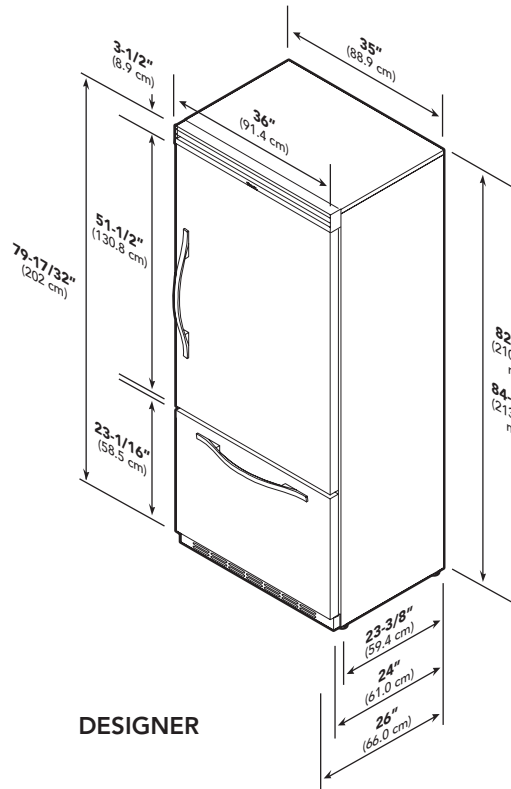


DDBB363
Designer

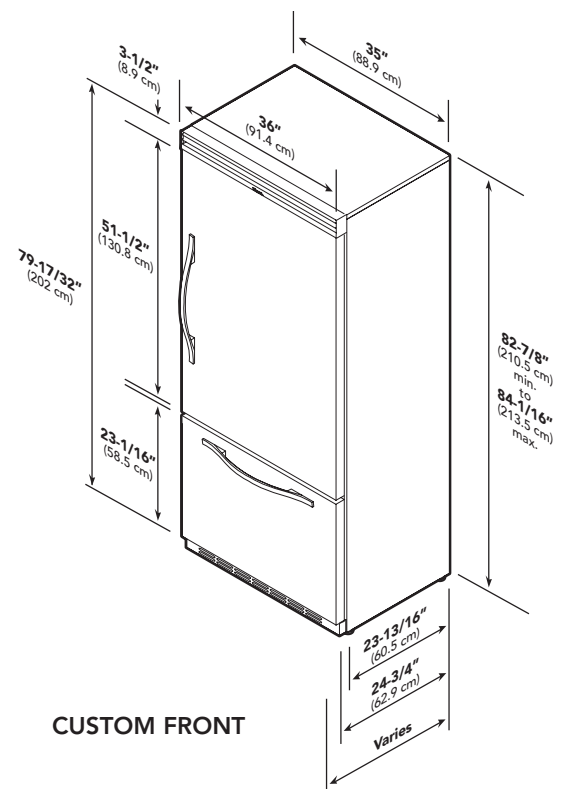


DFBB363
Custom Front

See **Custom Panels** section for
more information and additional
specifications.



DESIGNER



CUSTOM FRONT

	DDBB363	DFBB363
Overall width	36" (91.4 cm)	
Overall height (from bottom)	82-7/8" (210.5 cm) min. to 84-1/16" (213.5 cm) max.	
Overall depth (from rear)		
To front edge of side trim	23-3/8" (59.4 cm)	23-13/16" (60.5 cm)
To front of top grille	24" (61.0 cm)	24-3/4" (62.9 cm)
To front of handle	26" (66.0 cm)	Varies
Approx. ship weight	565 lbs. (254.3 kg)	500 lbs. (227.3 kg)



Dimensions & Specifications

DOOR SWING

- Adjustable door stops standard—90°, 110°, or 120° swing



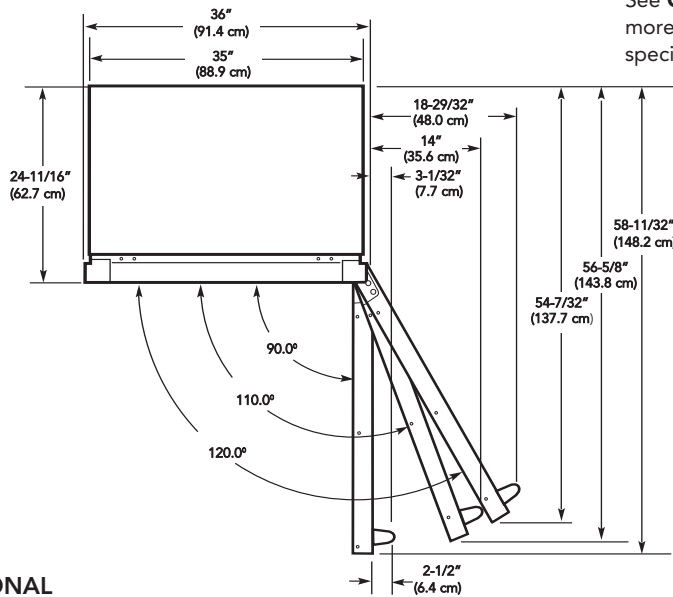
VCBB363/VIBB363
Professional/Professional
Integrated



DDBB363
Designer

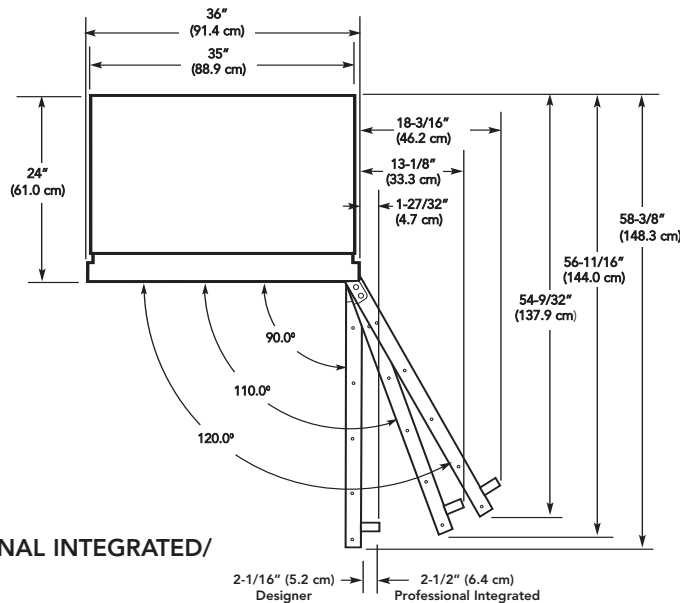


DFBB363
Custom Front



See **Custom Panels** section for more information and additional specifications.

PROFESSIONAL

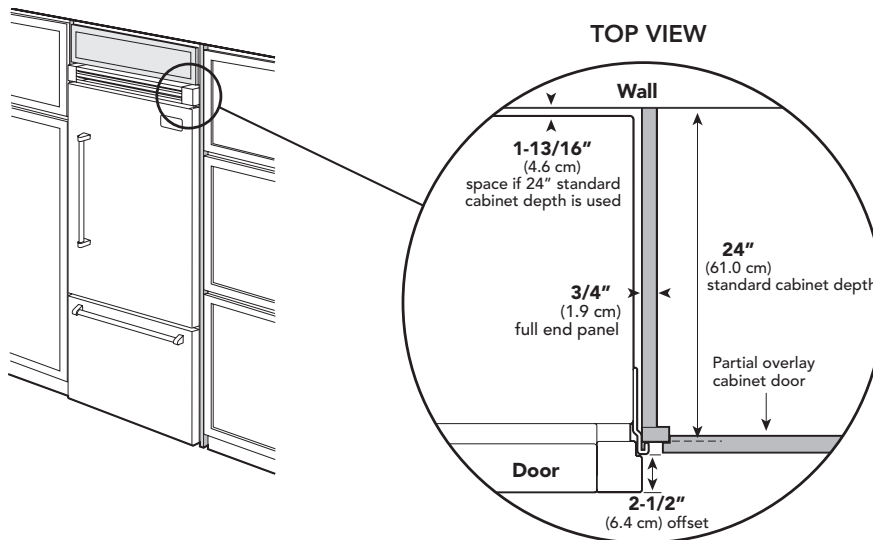
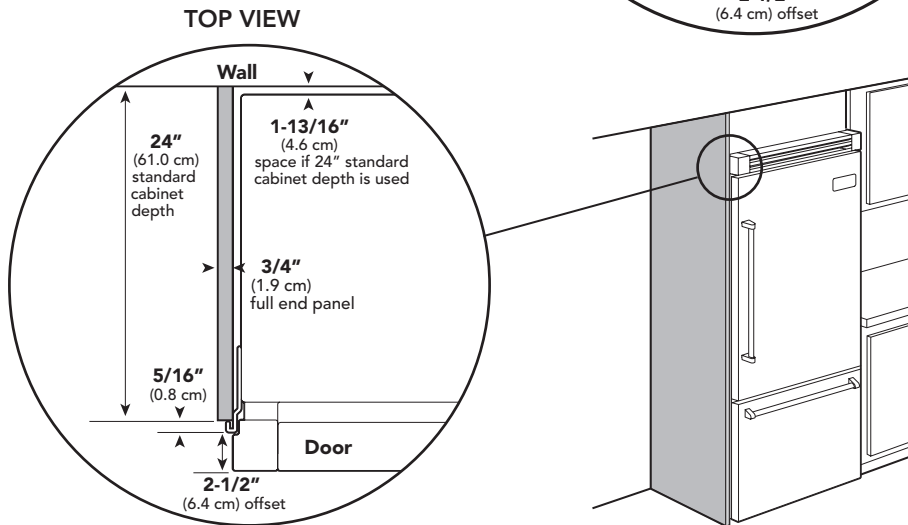
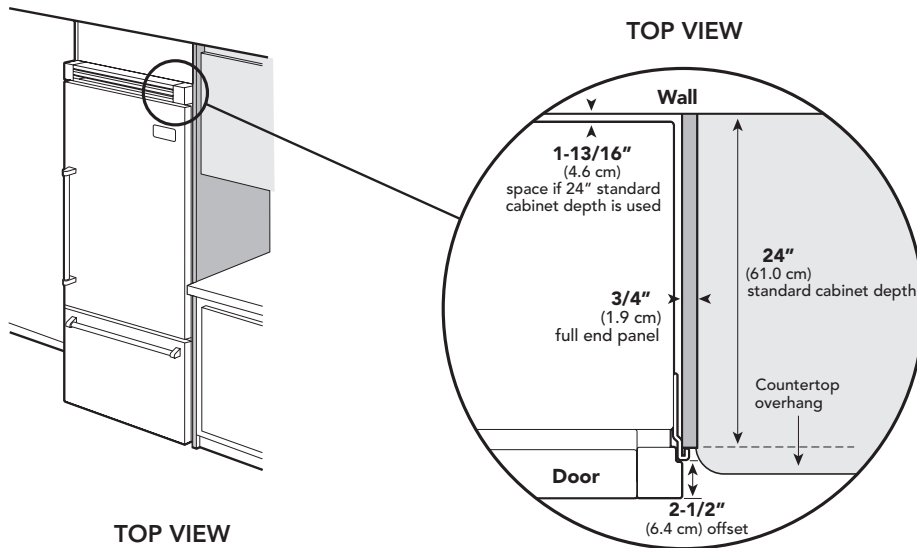


**PROFESSIONAL INTEGRATED/
DESIGNER**



Dimensions & Specifications

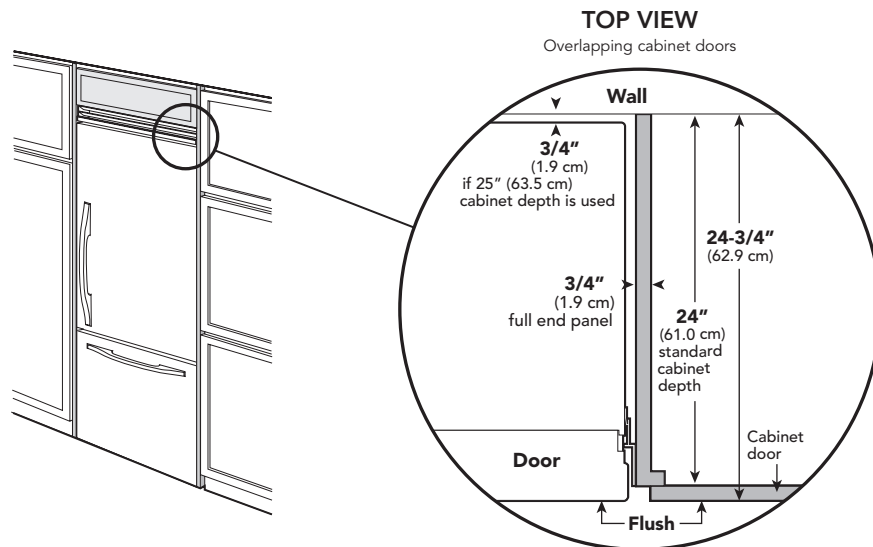
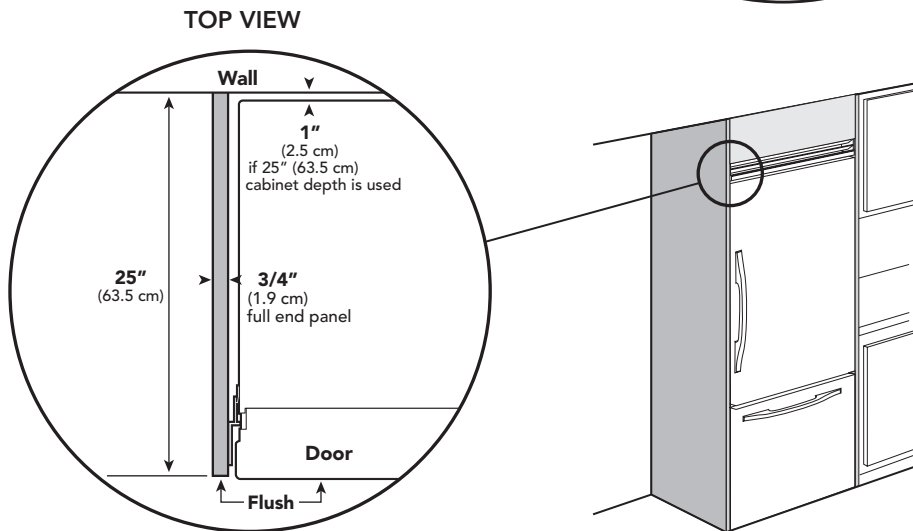
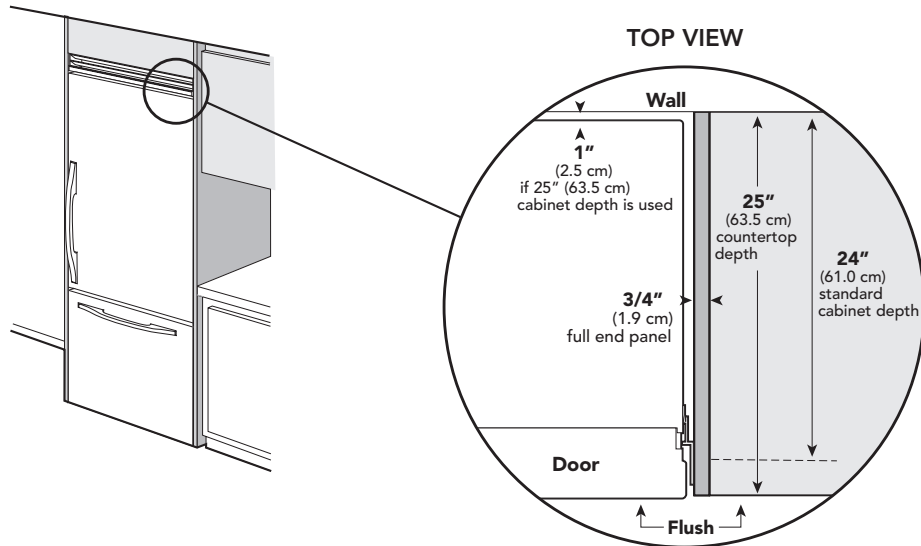
CLEARANCE DIMENSIONS—PROFESSIONAL





Dimensions & Specifications

CLEARANCE DIMENSIONS—PROFESSIONAL INTEGRATED/DESIGNER





UTILITY REQUIREMENTS



GAS
Not applicable



- ELECTRICAL**
- Three-wire cord with grounded three-prong plug attached to product
 - 115 VAC/60 Hz; 15 amp dedicated circuit
 - Maximum amp usage—9.9
 - Estimated energy usage—567 kWh/year



- PLUMBING**
- Inlet waterline requirements—1/4" copper tubing
 - 20 psi min.; 120 psi max.

Installation Requirements

ACCESS REQUIREMENTS



VCBB363/VIBB363
Professional/Professional
Integrated

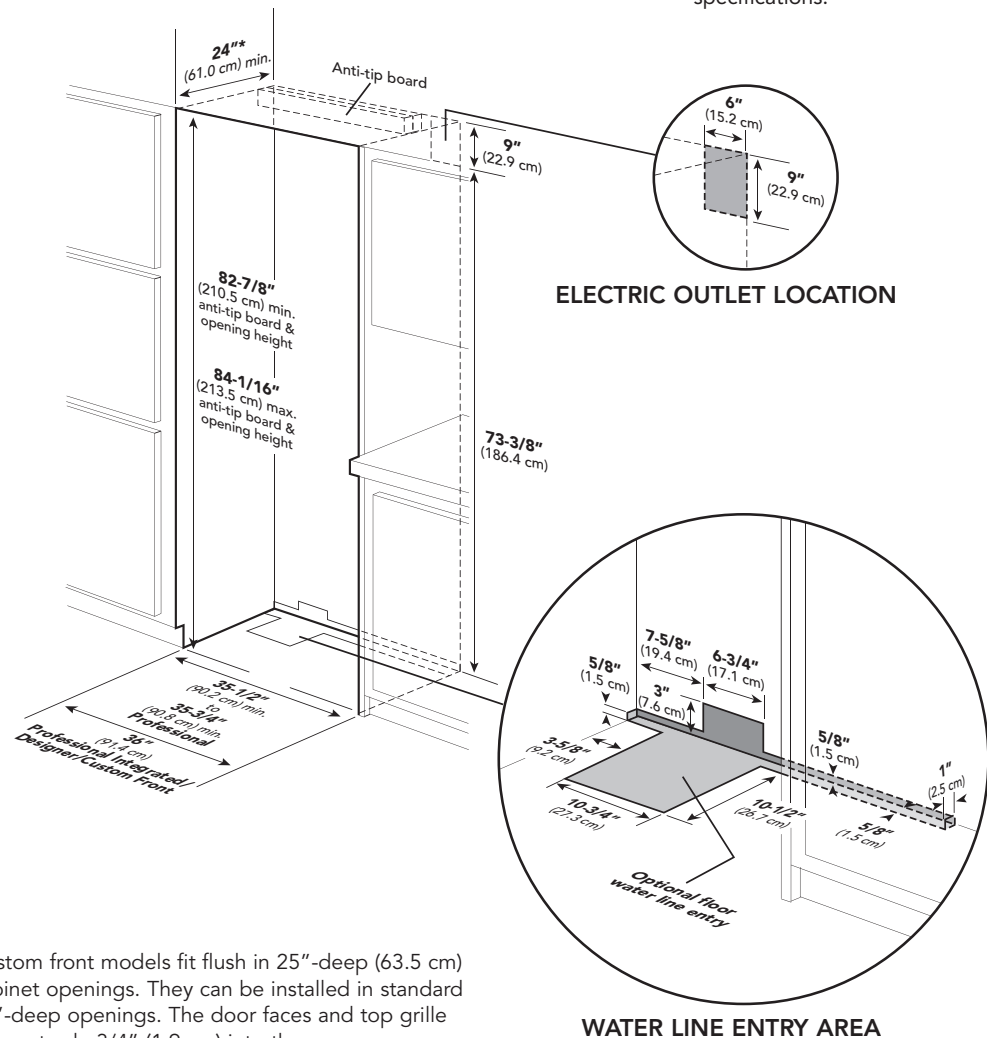


DDBB363
Designer



DFBB363
Custom Front

See **Custom Panels** section for more information and additional specifications.



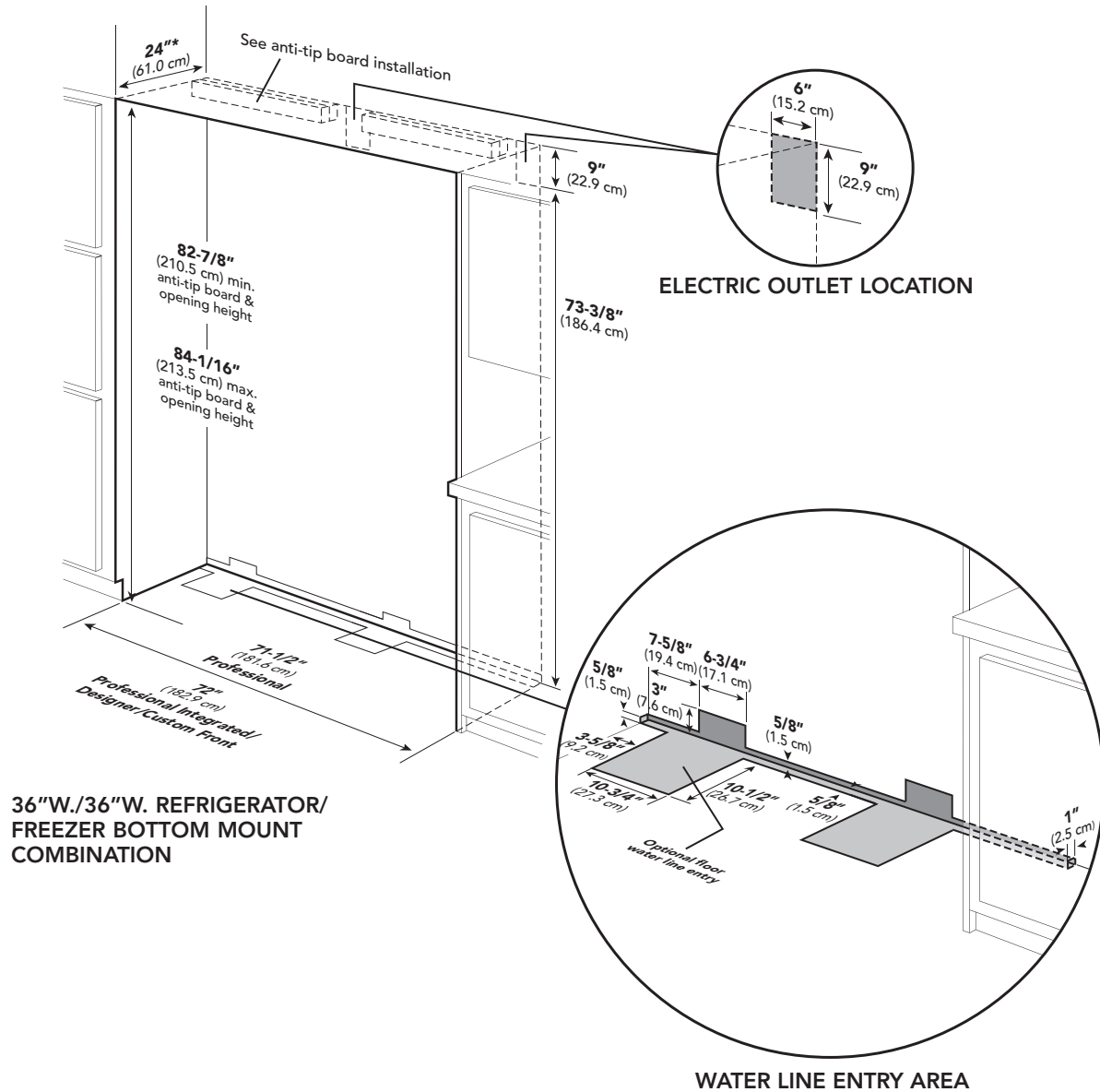
*Custom front models fit flush in 25"-deep (63.5 cm) cabinet openings. They can be installed in standard 24"-deep openings. The door faces and top grille will protrude 3/4" (1.9 cm) into the room.

	VCBB363	VIBB363	DDBB363	DFBB363
Cutout width	35-1/2" (90.2 cm) min. to 35-3/4" (90.8 cm) max.	36" (91.4 cm)	36" (91.4 cm)	36" (91.4 cm)
Cutout height	82-7/8" (210.5 cm) min. to 84-1/16" (213.5 cm) max.			
Cutout depth	24" (61.0 cm) min.*			



Installation Requirements

ACCESS REQUIREMENTS – Dual Installation



*Custom front models fit flush in 25"-deep (63.5 cm) cabinet openings. They can be installed in standard 24"-deep openings. The door faces and top grille will protrude 3/4" (1.9 cm) into the room.

	VCBB363/VCBB363	VIBB363/VIBB363	DDBB363/DDBB363	DFBB363/DFBB363
Cutout width	71-1/2" (181.6 cm)	72" (182.9 cm)	72" (182.9 cm)	72" (182.9 cm)
Cutout height	82-7/8" (210.5 cm) min. to 84-1/16" (213.5 cm) max.			
Cutout depth	24" (61.0 cm) min.*			



REFRIGERATION

Built-In 36"W. Bottom-Mount Refrigerator/Freezer



✦ Installation Notes & Accessories

Side Panel Kits

- Stainless Steel (SS)
- Panels provide finished, freestanding look; unit must still be secured to the wall
- Kit includes one panel and installation hardware

Model	Description	Approx. ship wt. lbs. (kg)
PSSPL3	Professional side panel left (VCBB)	45 (20.2)
PSSPR3	Professional side panel right (VCBB)	45 (20.2)
DSSPL3	Designer side panel left (VIBB/DDBB/DFBB)	45 (20.2)
DSSPR3	Designer side panel right (VIBB/DDBB/DFBB)	45 (20.2)

Side Panel Hardware Kit

- For use with Designer built-in refrigerator/freezers
- Hardware allows installation of custom side panels
- Kit includes brackets, screws, and installation instructions to mount panels on left and right side

Model	Description	Approx. ship wt. lbs. (kg)
SPHKDS	Side panel hardware kit	3 (1.4)

Top Panel Kit

- Stainless Steel (SS)
- Panel provides finished, freestanding look; unit must still be secured to the wall
- Kit includes one panel and installation hardware

Model	Description	Approx. ship wt. lbs. (kg)
TOP-36	36"W. top panel	22 (10.0)

Top Grille Kits

- Stainless Steel (SS)
- For use with installation of two 36"W. bottom-mount refrigerator/freezers
- Grille creates a single unit look
- Kit includes one full-length grille, center cabinet trim connector, and grill installation hardware

Model	Description	Approx. ship wt. lbs. (kg)
PBRTGK72-SS	Professional 72"W. grille (for two VCBB units)	25 (11.3)
DBRTGK72-SS	Designer 72"W. grille (for two DDBB/DFBB units)	25 (11.3)

Handle Kits

- For use with custom front refrigerator/freezers
- For use on locally supplied custom front panels
- Handles allow refrigerator/freezers with custom front panel to coordinate with other Professional and Designer products
- Kit includes two handles and installation hardware

Model	Description	Approx. ship wt. lbs. (kg)
PHK-DFBB-SS	Professional handles (Stainless Steel)	10 (4.5)
PHK-DFBB-BR	Professional handles (Brass)	10 (4.5)
HKFDS-SS	Designer handles (Stainless Steel)	10 (4.5)
HKFDS-BR	Designer handles (Brass)	10 (4.5)

Compliance Information



WARRANTY SUMMARY*

- Two-year full warranty—complete unit
- Six-year full warranty—sealed refrigeration system and automatic ice maker
- Twelve-year limited warranty—sealed refrigeration system (includes compressor, condenser, dryer/strainer, evaporator, and connecting tubing)
- Ninety-day limited warranty—cosmetic parts such as glass, painted, and decorative items

* For complete warranty see *Use & Care Guide*. Warranty valid on Viking products shipped within the United States and Canada.

