



Standard Features & Accessories

All models include

- Capacity—22.8 cu. ft. (645.2 L)
 - 84"H./24"D.
- ProChill™ Temperature Management System
 - Variable-speed single compressor system
 - Electronic controls maintain the temperature selection within 1°F
 - Multi-channel airflow system removes odors and excess humidity
- Convertible temperature-controlled Meat Savor™/produce drawer with precision ball-bearing glides
 - Separate temperature control can be set for produce or fresh meat storage
 - Quick-chill option chills food and beverages in minutes
- Six adjustable tempered glass spillproof shelves (four half-width, two full-width)
- Two deli drawers
- Two moisture adjustable see-through produce drawers with precision ball-bearing glides
- Two in-the-door dairy compartments
- Five adjustable aluminum door bins (two half-width, three full-width)
- Top-shelf provides quick chill-down area
- Wine trivet, egg bin, and butter tray
- Top-mounted and front-venting sealed refrigeration system
- Dual magnet and spring-assisted door closer mechanism
- Robust, heavy-duty door hinges
- Power interruption switch to turn off all power
- Automatic energy-saving moisture control
- Open door alarm sounds and glows to warn that door has been ajar for three minutes
- Adjustable door stops standard—90°, 110°, or 120° swing
- Sabbath Mode
- For installation of two units together, separate grille kit must be purchased
- Must be ordered right or left hinge. (As you face unit, RIGHT has hinge on right side and handle on left side; LEFT has hinge on left side and handle on right side.)

Model Options



VCRB364
Professional



DDRB364
Designer



DFRB364
Custom Front

FINISH DETAILS FOR VCRB MODEL

- Stainless Steel (SS), Black (BK), White (WH), Metallic Silver (MS), Graphite Gray (GG), Stone Gray (SG), Taupe (TP), Biscuit (BT), Cotton White (CW), Oyster Gray (OG), Golden Mist (GM), Lemonade (LE), Sage (SA), Mint Julep (MJ), Sea Glass (SE), Iridescent Blue (IB), Viking Blue (VB), Pumpkin (PM), Racing Red (RR), Apple Red (AR), Burgundy (BU), Plum (PL), Chocolate (CH), and Cobalt Blue (CB).
- Finish codes designate door front. Stainless steel upper grille, side trim, and handle (with chrome-plated brackets); black lower kickplate.
- Brass Trim Option (BR)—nameplate, handle/brackets, and side trim. Brass components have a durable protective coating for maintenance-free normal use.

FINISH DETAILS FOR DDRB MODEL

- Stainless Steel (SS), Black (BK), White (WH), Metallic Silver (MS), Graphite Gray (GG), Stone Gray (SG), Taupe (TP), Biscuit (BT), Cotton White (CW), Oyster Gray (OG), Golden Mist (GM), Lemonade (LE), Sage (SA), Mint Julep (MJ), Sea Glass (SE), Iridescent Blue (IB), Viking Blue (VB), Pumpkin (PM), Racing Red (RR), Apple Red (AR), Burgundy (BU), Plum (PL), Chocolate (CH), and Cobalt Blue (CB).
- Finish codes designate door front. Stainless steel upper grille, side trim, and handle, with black lower kickplate.
- Brass Trim Option (BR)—handle. Brass components have a durable protective coating for maintenance-free normal use.

FINISH DETAILS FOR DFRB MODEL

- Handle not included—opt for custom handle, or purchase a Viking Professional Series or Designer Series handle kit (see **Installation Notes & Accessories**).
- See **Custom Panels** section for more information and additional specifications.

ORDERING INSTRUCTIONS

First specify model number, followed by hinge preference ("R" for right or "L" for left), and then color code (VCRB364R55). If ordering optional brass trim, specify code at end (VCRB364RSSBR).





★ Please see **Installation Notes & Accessories** for important information, including panel, grille, trim, and handle kits.

★ **ALL MODELS**
 Star-K Kosher Certification for use on the Jewish Sabbath or Jewish holidays

Dimensions & Specifications

PRODUCT DIMENSIONS



VCRB364
Professional

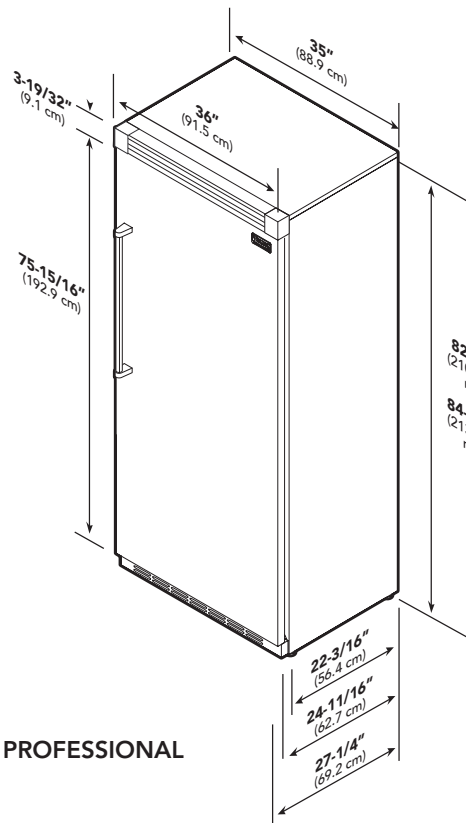


DDRB364
Designer

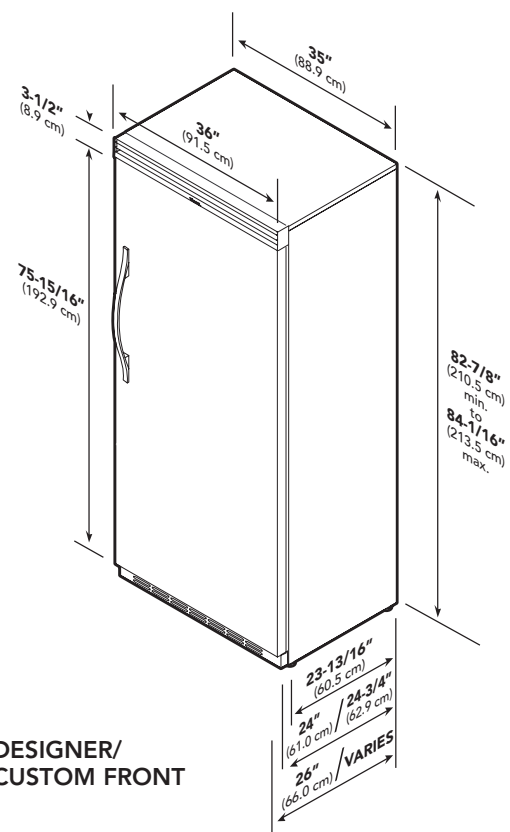


DFRB364
Custom Front

See **Custom Panels** section for more information and additional specifications.



PROFESSIONAL



**DESIGNER/
CUSTOM FRONT**

	VCRB364	DDRB364	DFRB364
Overall width		36" (91.5 cm)	
Overall height (from bottom)	82-7/8" (210.5 cm) min. to 84-1/16" (213.5 cm) max.		
Overall depth (from rear)			
To front edge of side trim	22-3/16" (56.4 cm)	23-13/16" (60.5 cm)	23-13/16" (60.5 cm)
To front of top grille	24-11/16" (62.7 cm)	24" (61.0 cm)	24-3/4" (62.9 cm)
To front of handle	27-1/4" (69.2 cm)	26" (66.0 cm)	Varies
Approx. ship weight	500 lbs. (227.3 kg)		



Dimensions & Specifications

DOOR SWING

- Adjustable door stops standard—90°, 110°, or 120° swing



VCRB364
Professional

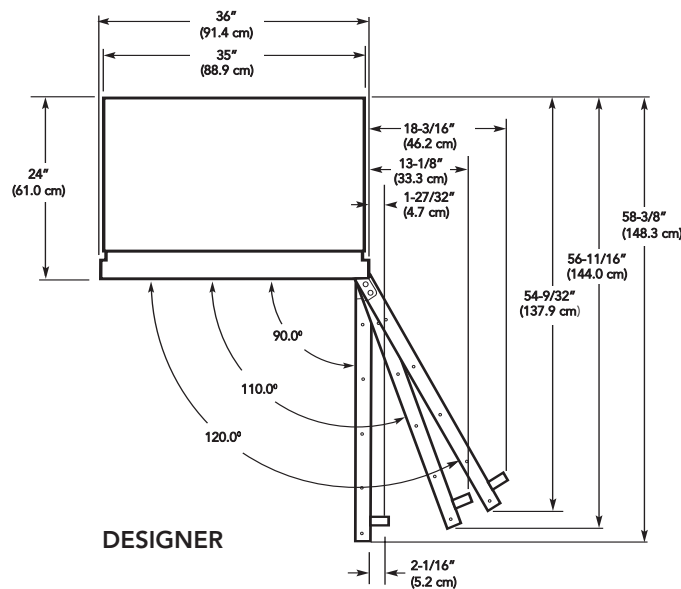
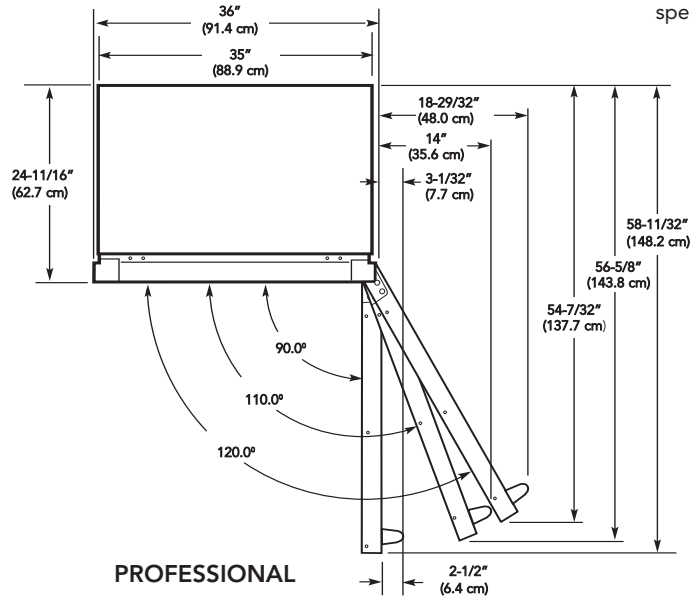


DDRB364
Designer



DFRB364
Custom Front

See **Custom Panels** section for more information and additional specifications.





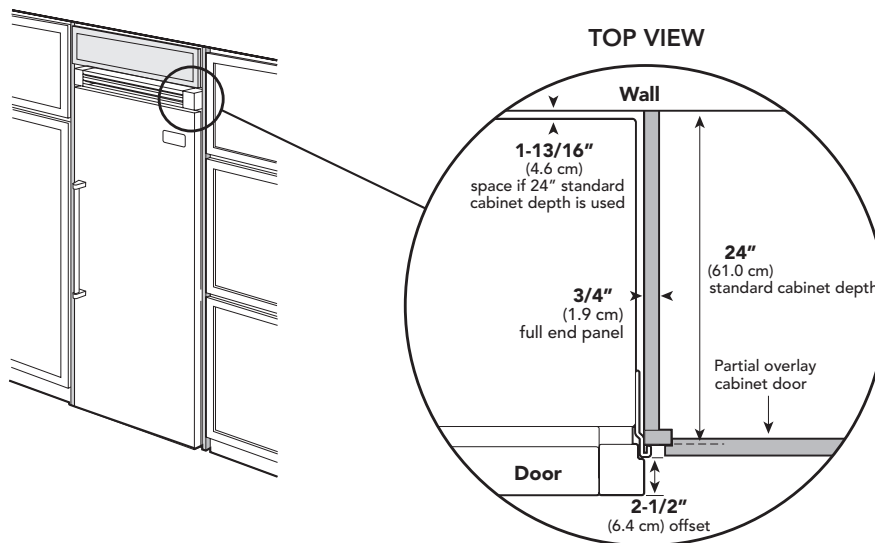
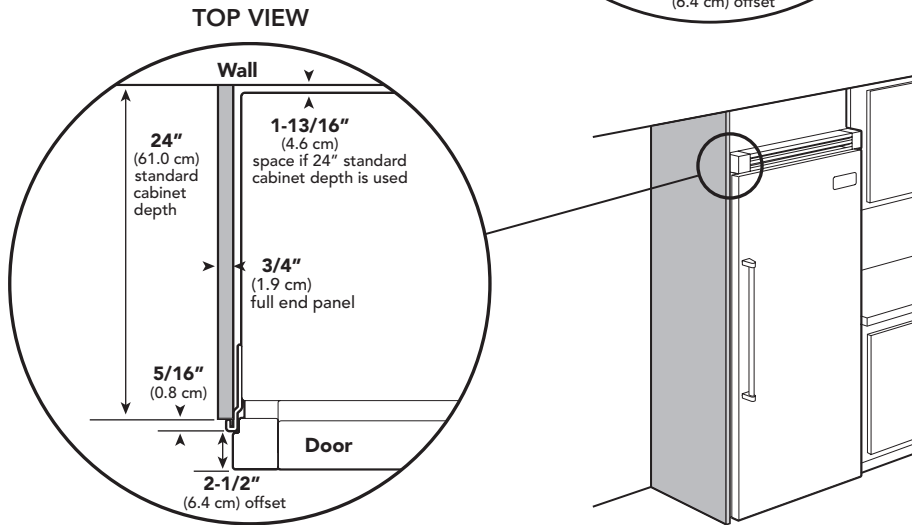
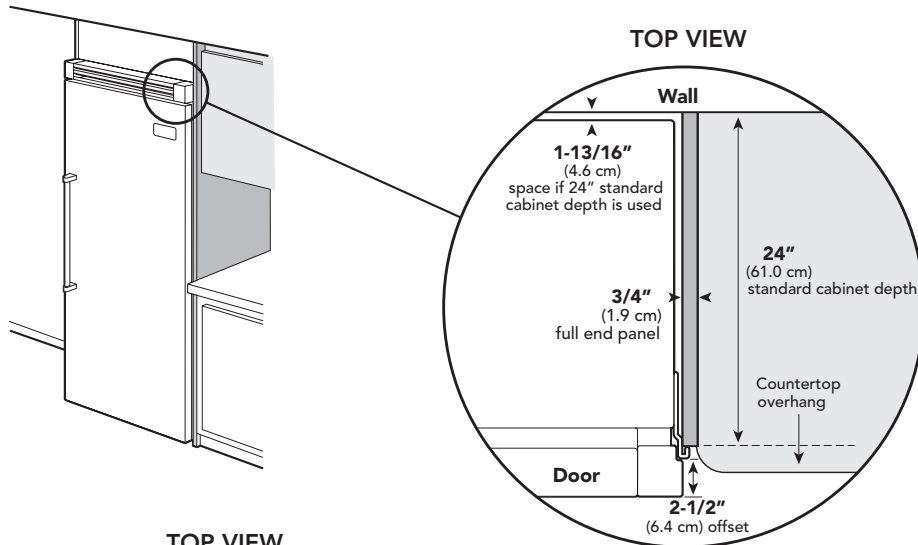
REFRIGERATION

Built-In 36"W. All Refrigerator



Dimensions & Specifications

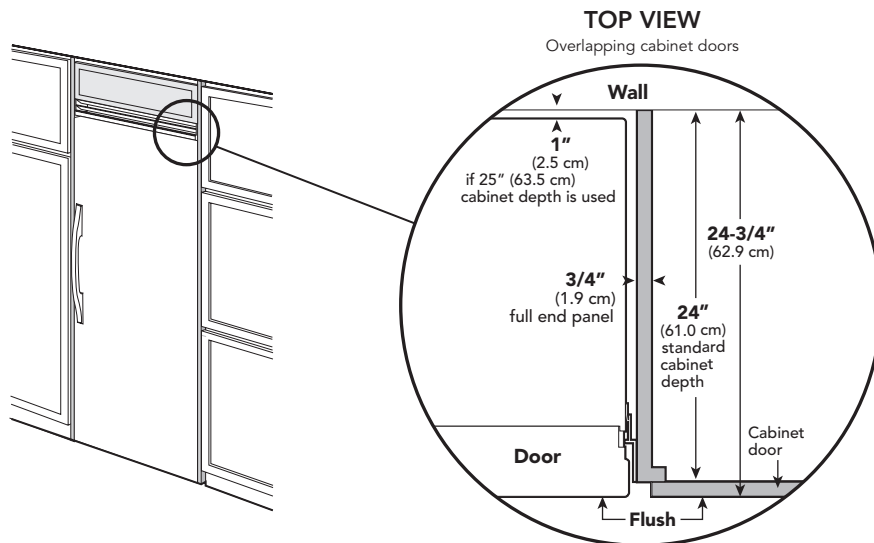
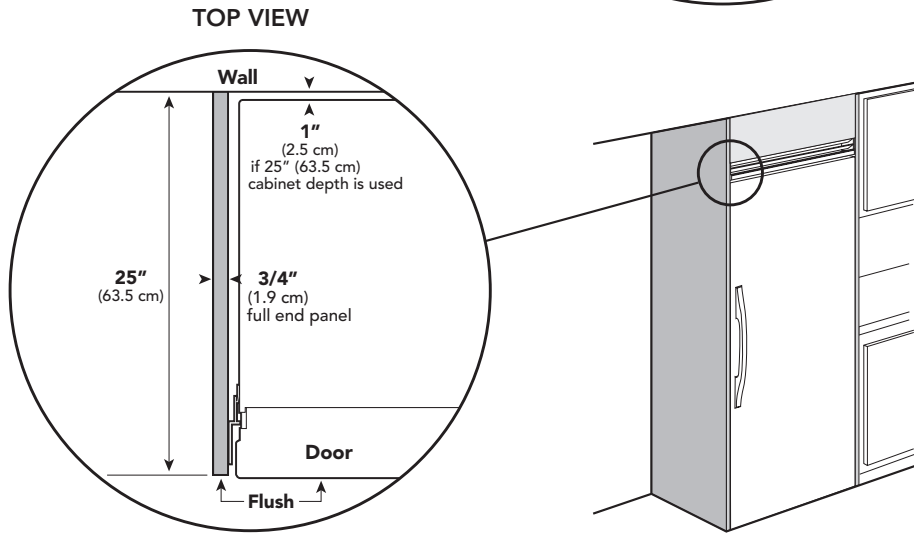
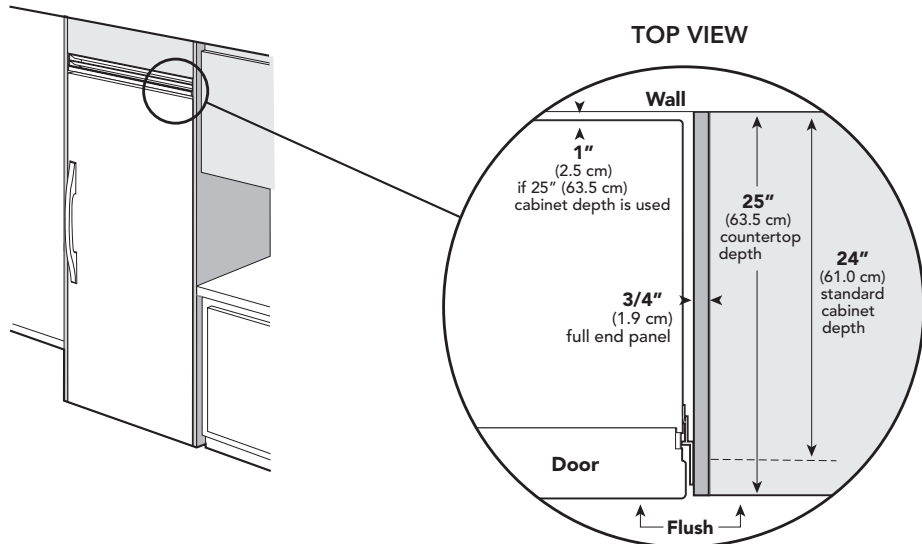
CLEARANCE DIMENSIONS—PROFESSIONAL





Dimensions & Specifications

CLEARANCE DIMENSIONS—DESIGNER





UTILITY REQUIREMENTS



GAS
Not applicable



- ELECTRICAL**
- Three-wire cord with grounded three-prong plug attached to product
 - 115 VAC/60 Hz; 15 amp dedicated circuit
 - Maximum amp usage—6.5
 - Estimated energy usage—449 kWh/year



PLUMBING
Not applicable

Installation Requirements

ACCESS REQUIREMENTS – Single Installation



VCRB364
Professional

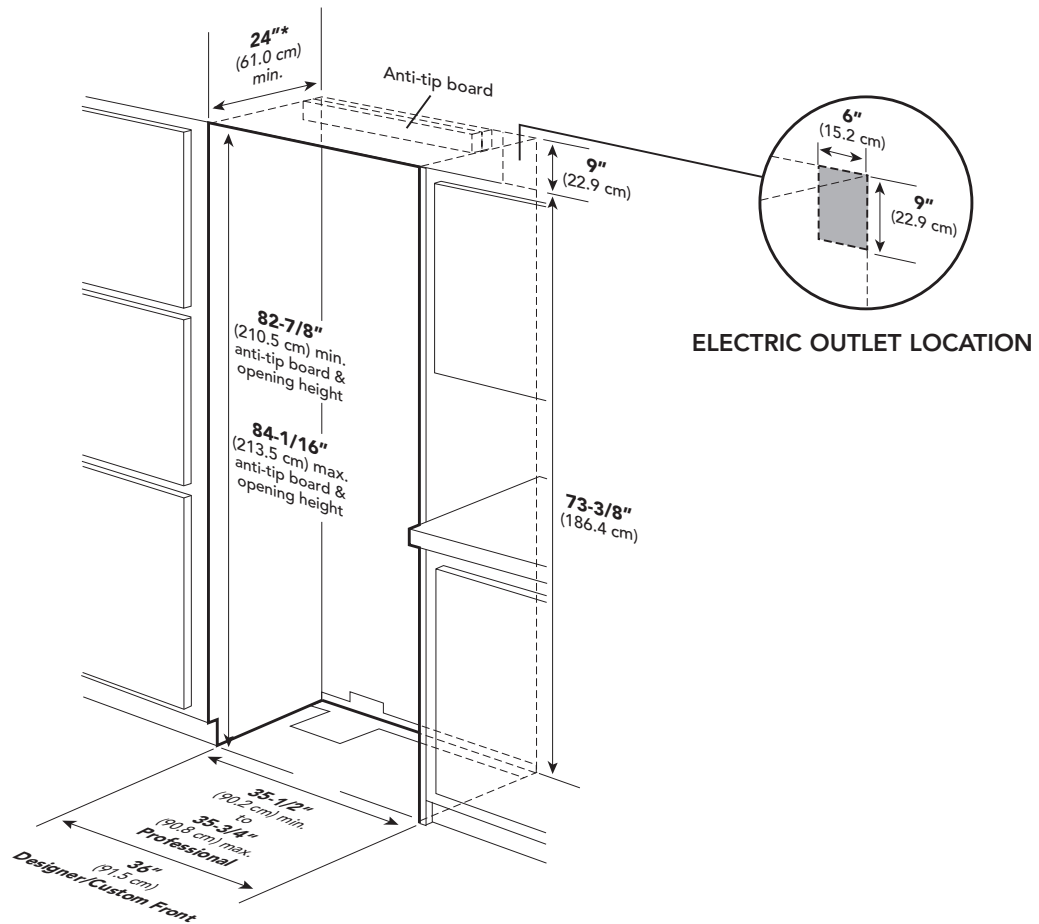


DDR364
Designer



DFRB364
Custom Front

See **Custom Panels** section for more information and additional specifications.



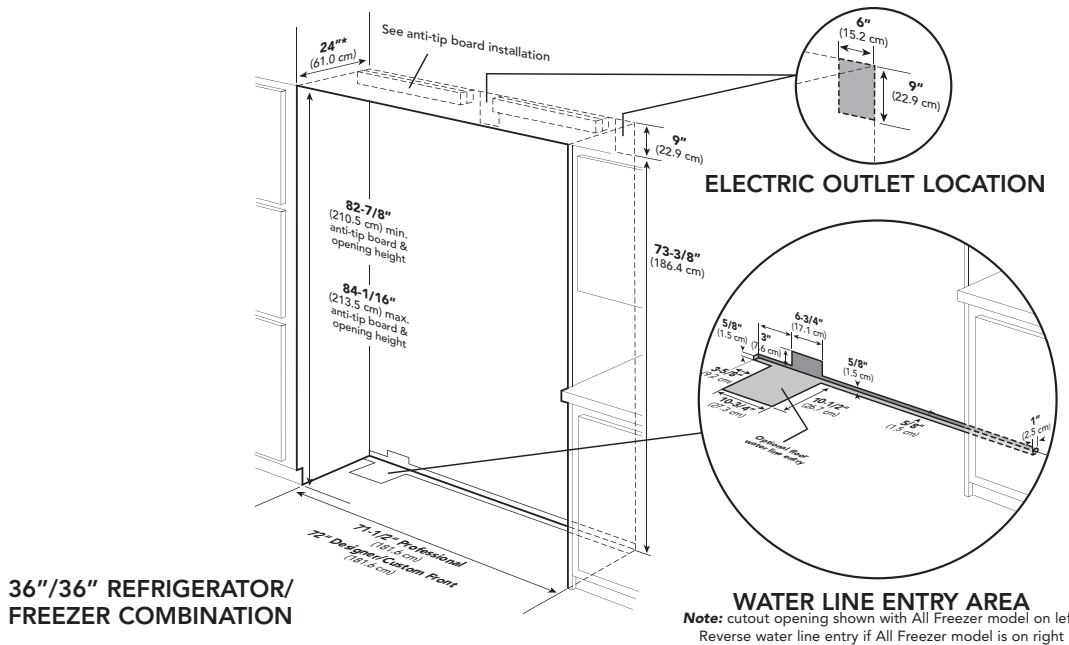
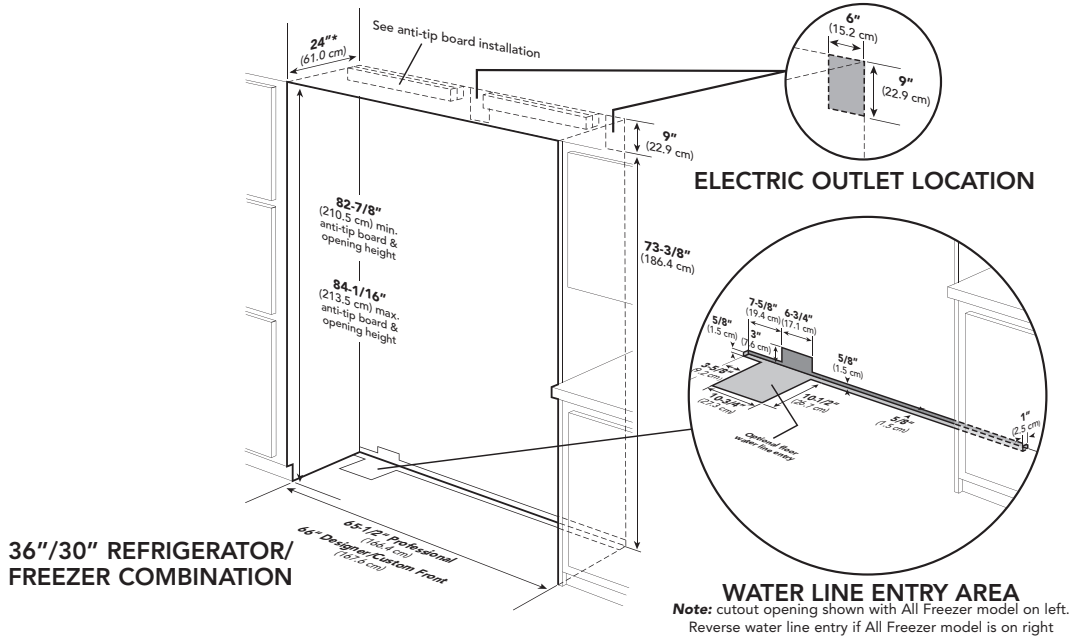
*Custom front models fit flush in 25"-deep (63.5 cm) cabinet openings. They can be installed in standard 24"-deep openings. The door faces and top grille will protrude 3/4" (1.9 cm) into the room.

	VCRB364	DDR364	DFRB364
Cutout width	35-1/2" (90.2 cm) min. to 35-3/4" (90.8 cm) max.	36" (91.5 cm)	36" (91.5 cm)
Cutout height	82-7/8" (210.5 cm) min. to 84-1/16" (213.5 cm) max.		
Cutout depth	24" (61.0 cm) min.*		



Installation Requirements

ACCESS REQUIREMENTS – Dual Installation



*Custom front models fit flush in 25"-deep (63.5 cm) cabinet openings. They can be installed in standard 24"-deep openings. The door faces and top grille will protrude 3/4" (1.9 cm) into the room.

	VCRB364/VCFB304	DDR8364/DDFB304	DFRB364/DFFB304
Cutout width	65-1/2" (166.4 cm)	66" (167.6 cm)	66" (167.6 cm)
Cutout height	82-7/8" (210.5 cm) min. to 84-1/16" (213.5 cm) max.		
Cutout depth	24" (61.0 cm) min.*		
	VCRB364/VCFB364	DDR8364/DDFB364	DFRB364/DFFB364
Cutout width	71-1/2" (181.6 cm)	72" (182.9 cm)	72" (182.9 cm)
Cutout height	82-7/8" (210.5 cm) min. to 84-1/16" (213.5 cm) max.		
Cutout depth	24" (61.0 cm) min.*		



★ Installation Notes & Accessories

Side Panel Kits

- Stainless Steel (SS)
- Panels provide finished, freestanding look; unit must still be secured to the wall
- Kit includes one panel and installation hardware

Model	Description	Approx. ship wt. lbs. (kg)
PSSPL2	Professional side panel left	45 (20.2)
PSSPR2	Professional side panel right	45 (20.2)
DSSPL2	Designer side panel left	45 (20.2)
DSSPR2	Designer side panel right	45 (20.2)

Side Panel Hardware Kit

- For use with Designer built-in refrigerator/freezers
- Hardware allows installation of custom side panels
- Kit includes brackets, screws, and installation instructions to mount panels on left and right side

Model	Description	Approx. ship wt. lbs. (kg)
SPHKDS	Side panel hardware	3 (1.4)

Top Panel Kit

- Stainless Steel (SS)
- Panel provides finished, freestanding look; unit must still be secured to the wall
- Kit includes one panel and installation hardware

Model	Description	Approx. ship wt. lbs. (kg)
TOP-36	36"W. top panel	22 (10.0)

Top Grille Kits

- Stainless Steel (SS)
- 66"W. top grille kit—for use with installation of one 36"W. and one 30"W. all refrigerators/all freezers side-by-side
- 72"W. top grille kit—for use with installation of two 36"W. all refrigerators/all freezers side-by-side
- Grille creates a single unit look
- Kit includes one full-length grille, center cabinet trim connector, and all installation hardware

Model	Description	Approx. ship wt. lbs. (kg)
PGK66-SS	Professional 66"W. grille (for two VCRB/VCFB units)	23 (10.4)
PGK72-SS	Professional 72"W. grille (for two VCRB/VCFB units)	25 (11.3)
DGK66-SS	Designer 66"W. grille (for two DDRB/DDFB/DFRB/DFFB units)	23 (10.4)
DGK72-SS	Designer 72"W. grille (for two DDRB/DDFB/DFRB/DFFB units)	25 (11.3)

Center Trim Kit

- Stainless Steel (SS)
- Kit includes cabinet trim connector to install two custom front units with wood top grille

Model	Description	Approx. ship wt. lbs. (kg)
FCTK-SS	Center trim	5 (2.3)





REFRIGERATION

Built-In 36"W. All Refrigerator



Handle Kits

- For use with custom front refrigerators
- For use on locally supplied custom front panels
- Handles allow refrigerator/freezers with custom front panel to coordinate with other Professional and Designer products
- Kit includes handle(s) and installation hardware

Model	Description	Approx. ship wt. lbs. (kg)
PHK26-SS	Professional one handle (Stainless Steel)	7 (3.2)
PHK26-BR	Professional one handle (Brass)	7 (3.2)
DHK25-SS	Designer one handle (Stainless Steel)	7 (3.2)
DHK25-BR	Designer one handle Brass	7 (3.2)
PHKDFBB-SS	Professional two handles Stainless Steel	10 (4.5)
PHKDFBB-SS	Professional two handles (Brass)	10 (4.5)
HKFDS-SS	Designer two handles (Stainless Steel)	10 (4.5)
HKFDS-BR	Designer two handles (Brass)	10 (4.5)

Compliance Information



WARRANTY SUMMARY*

- Two-year full warranty—complete unit
- Six-year full warranty—sealed refrigeration system and automatic ice maker
- Twelve-year limited warranty—sealed refrigeration system (includes compressor, condenser, dryer/strainer, evaporator, and connecting tubing)
- Ninety-day limited warranty—cosmetic parts such as glass, painted, and decorative items

* For complete warranty see *Use & Care Guide*. Warranty valid on Viking products shipped within the United States and Canada.

