



REFRIGERATION

Built-In 48"W. Side-By-Side Refrigerator/Freezer with Dispenser



Standard Features & Accessories

All models include

- Total capacity—27.1 cu. ft. (767.0 L)
 - 84"H./24"D.
- ProChill™ Temperature Management System
 - Variable-speed single compressor system includes the quietest, most technologically advanced compressor available
 - Electronic controls maintain the temperature selection within 1°F
 - Multi-channel airflow system removes odors and excess humidity
- Frost-free refrigerator
 - Capacity—18.5 cu. ft. (523.6 L)
 - Five adjustable tempered glass spillproof shelves
 - Convertible temperature-controlled Meat Savor™/produce drawer with precision ball-bearing glides
 - Separate temperature control can be set for produce or fresh meat storage
- Frost-free freezer
 - Capacity—8.6 cu. ft. (243.4 L)
 - Adaptive defrost
 - Factory-installed, automatic ice maker
 - Three wire shelves and one slide-out basket
- Quick-chill option chills foods and beverages in minutes
- Two moisture adjustable see-through produce drawers with precision ball-bearing glides
- Two in-the-door dairy compartments
- Four adjustable aluminum door bins
- Top-shelf provides quick chill-down area
- Standard accessories include egg bin and butter tray
- Three large adjustable aluminum door bins
- Ice/water dispenser
 - Through-the-door dispenser provides cubed/crushed ice and water
 - Premium water filter removes bad tastes, odors, sediment, and harmful contaminants
- Open door alarm sounds and glows to warn that door has been ajar for three minutes
- Adjustable door stops standard—90°, 110°, or 120° swing
- Sabbath Mode

Model Options



VCSB483D/VISB483D
Professional/Professional
Integrated

- FINISH DETAILS FOR VCSB/VISB MODEL**
- Stainless Steel (SS), Black (BK), White (WH), Metallic Silver (MS), Graphite Gray (GG), Stone Gray (SG), Taupe (TP), Biscuit (BT), Cotton White (CW), Oyster Gray (OG), Golden Mist (GM), Lemonade (LE), Sage (SA), Mint Julep (MJ), Sea Glass (SE), Iridescent Blue (IB), Viking Blue (VB), Pumpkin (PM), Racing Red (RR), Apple Red (AR), Burgundy (BU), Plum (PL), Chocolate (CH), and Cobalt Blue (CB).
 - Finish codes designate door fronts. Stainless steel upper grille, side trim, and handles (with chrome-plated brackets); black lower kickplate.
 - Brass Trim Option (BR)—nameplate, handle/brackets, and side trim. Brass components have a durable protective coating for maintenance-free normal use.



DDSB483D
Designer

- FINISH DETAILS FOR DDSB MODEL**
- Stainless Steel (SS), Black (BK), White (WH), Metallic Silver (MS), Graphite Gray (GG), Stone Gray (SG), Taupe (TP), Biscuit (BT), Cotton White (CW), Oyster Gray (OG), Golden Mist (GM), Lemonade (LE), Sage (SA), Mint Julep (MJ), Sea Glass (SE), Iridescent Blue (IB), Viking Blue (VB), Pumpkin (PM), Racing Red (RR), Apple Red (AR), Burgundy (BU), Plum (PL), Chocolate (CH), and Cobalt Blue (CB).
 - Finish codes designate door fronts. Stainless steel upper grille, side trim, and handles, with black lower kickplate.
 - Brass Trim Option (BR)—handle. Brass components have a durable protective coating for maintenance-free normal use.



DFSB483D
Custom Front

- FINISH DETAILS FOR DFSB MODEL**
- Handles not included—opt for custom handles, or purchase a Viking Professional Series or Designer Series handle kit (see **Installation Notes & Accessories**).
 - See **Custom Panels** section for more information and additional specifications.

ORDERING INSTRUCTIONS

First specify model number, and then color code (VCSB483D**SS**). If ordering optional brass trim, specify code at end (VCSB483D**SSBR**).





REFRIGERATION

Built-In 48"W. Side-By-Side Refrigerator/Freezer with Dispenser



★ Please see Installation Notes & Accessories for important information, including panel, and handle kits, and water filters.



ALL MODELS

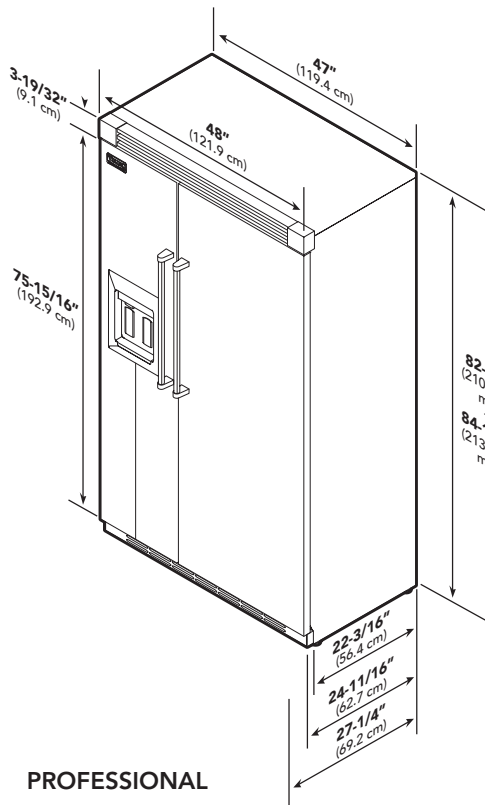
Star-K Kosher Certification for use on the Jewish Sabbath or Jewish holidays

Dimensions & Specifications

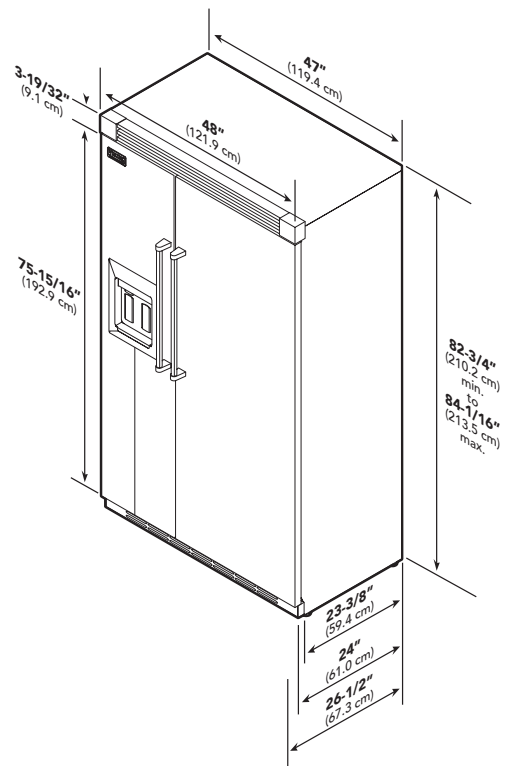
PRODUCT DIMENSIONS



VCSB483D/VISB483D
Professional/Professional
Integrated



PROFESSIONAL



PROFESSIONAL INTEGRATED

| | VCSB483D | VISB483D |
|------------------------------|---|-------------------|
| Overall width | 48" (121.9 cm) | |
| Overall height (from bottom) | 82-3/4" (210.2 cm) min. to 84-1/16" (213.5 cm) max. | |
| Overall depth (from rear) | | |
| To front edge of side trim | 22-3/16" (56.4 cm) | 23-3/8" (59.4 cm) |
| To front of top grille | 24-11/16" (62.7 cm) | 24" (61.0 cm) |
| To front of handle | 27-1/4" (69.2 cm) | 26-1/2" (67.3 cm) |
| Approx. ship weight | 735 lbs. (330.8 kg) | |





★ Please see Installation Notes & Accessories for important information, including panel, and handle kits, and water filters.



ALL MODELS

Star-K Kosher Certification for use on the Jewish Sabbath or Jewish holidays

Dimensions & Specifications

PRODUCT DIMENSIONS

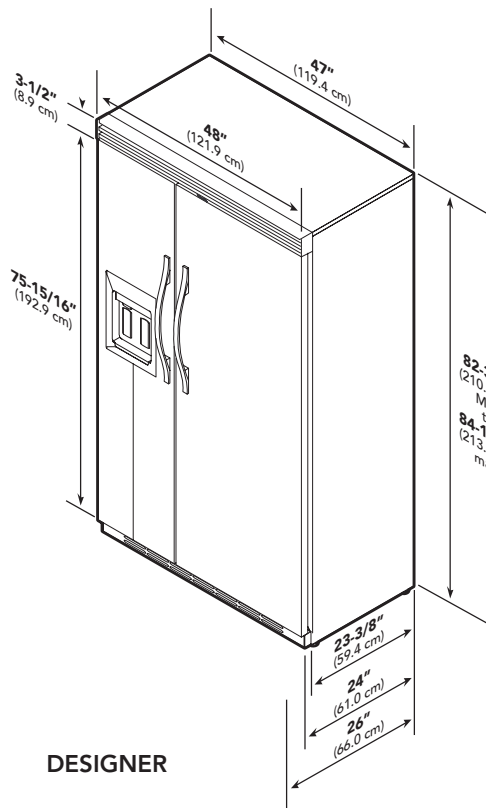


DDSB483D
Designer

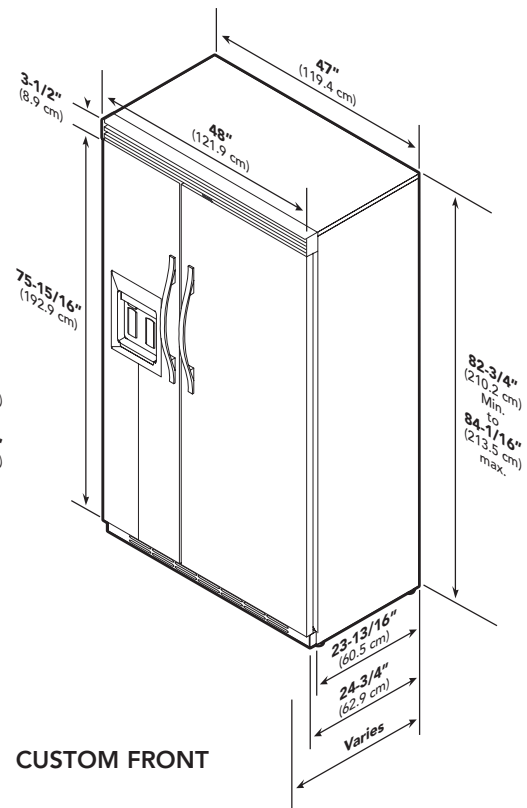


DFSB483D
Custom Front

See Custom Panels section for more information and additional specifications.



DESIGNER



CUSTOM FRONT

| | DDSB483D | DFSB483D |
|------------------------------|--|---------------------|
| Overall width | 48" (121.9 cm) | |
| Overall height (from bottom) | 82-3/4" (210.2 cm) min. to 84-1/16" (213.5 cm) max. | |
| Overall depth (from rear) | | |
| To front edge of side trim | 23-3/8" (59.4 cm) | 23-13/16" (60.5 cm) |
| To front of top grille | 24" (61.0 cm) | 24-3/4" (62.9 cm) |
| To front of handle | 26" (66.0 cm) | Varies |
| Approx. ship weight | 730 lbs. (328.5 kg) | 675 lbs. (303.8 kg) |



REFRIGERATION

Built-In 48" W. Side-By-Side Refrigerator/Freezer with Dispenser



Dimensions & Specifications

DOOR SWING

- Adjustable door stops standard—90°, 110°, or 120° swing



VCSB483D/VISB483D
Professional/Professional
Integrated

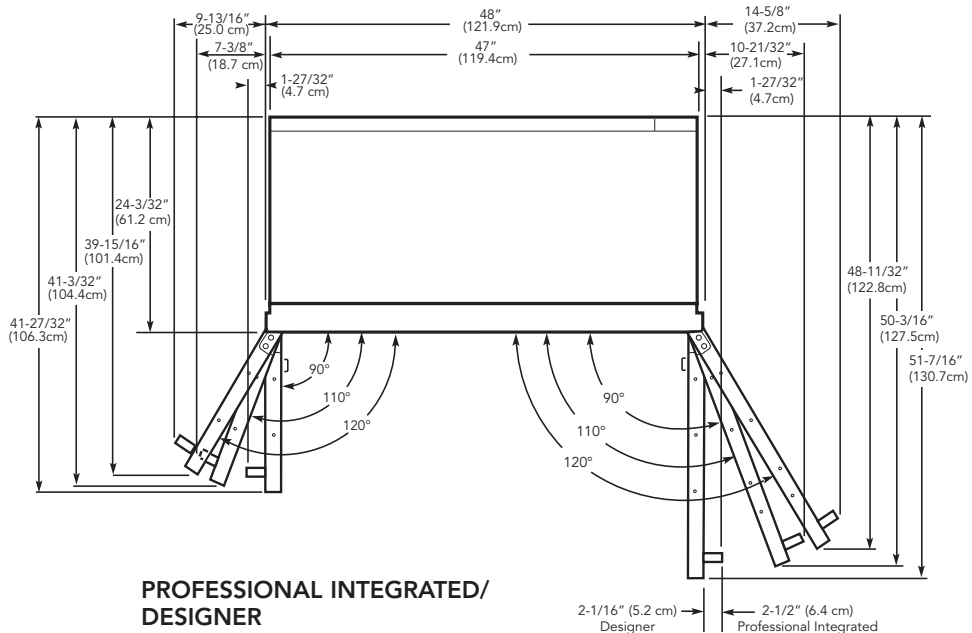
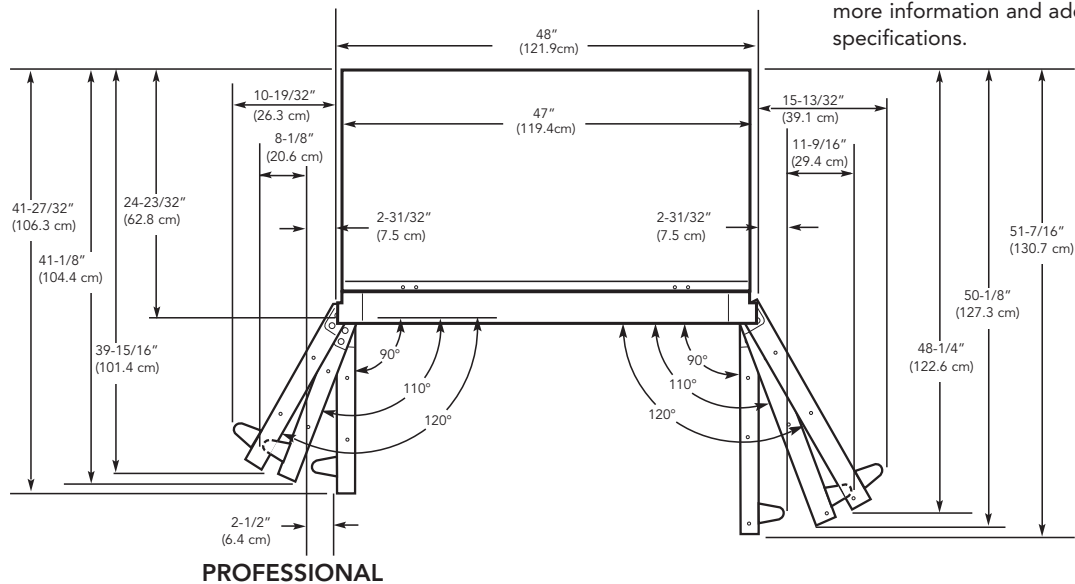


DDSB483D
Designer



DFSB483D
Custom Front

See **Custom Panels** section for more information and additional specifications.





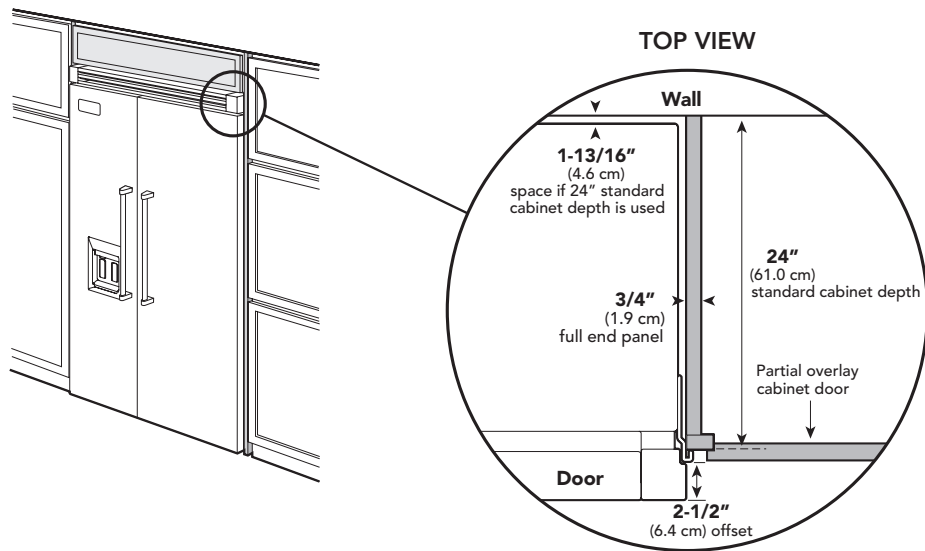
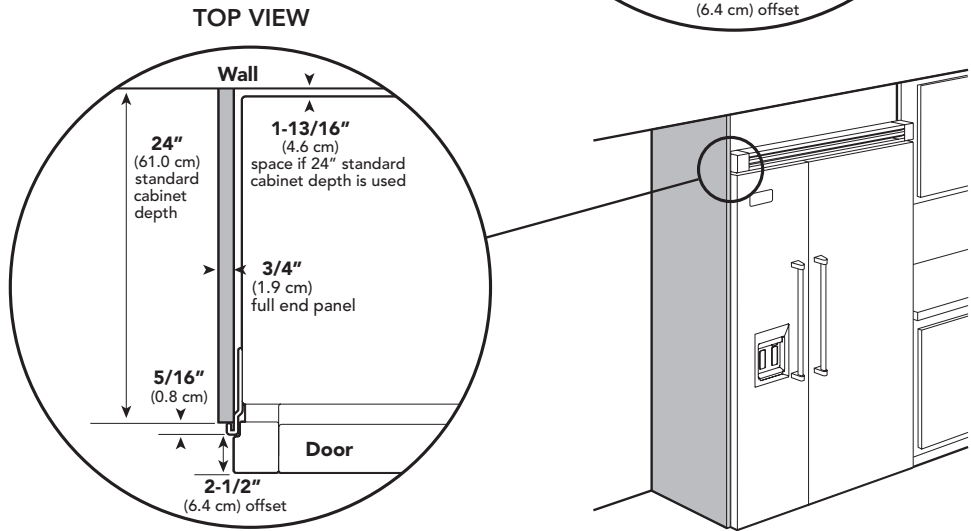
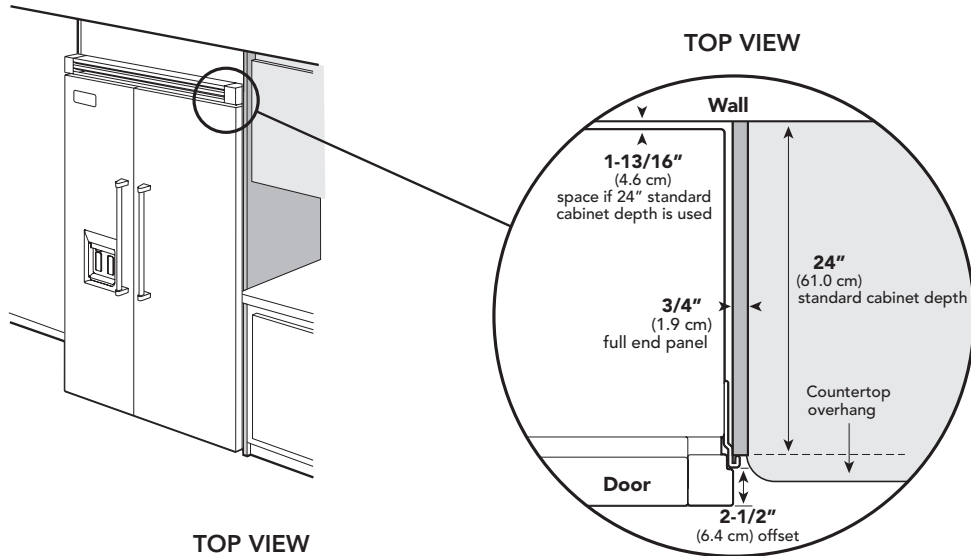
REFRIGERATION

Built-In 48" W. Side-By-Side Refrigerator/Freezer with Dispenser



Dimensions & Specifications

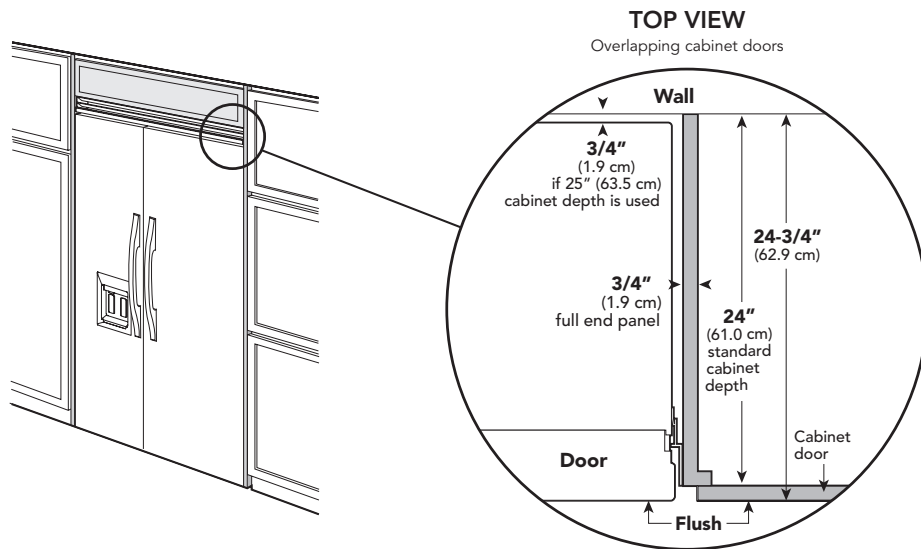
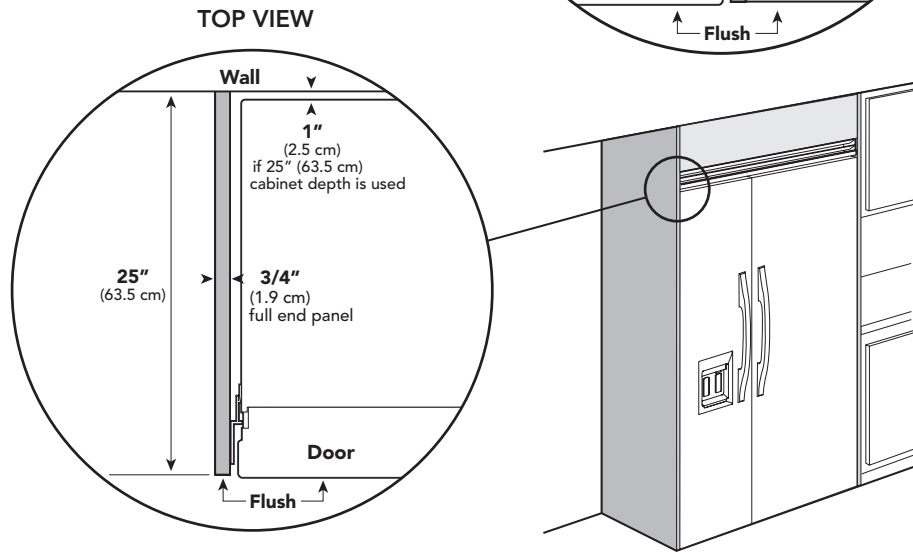
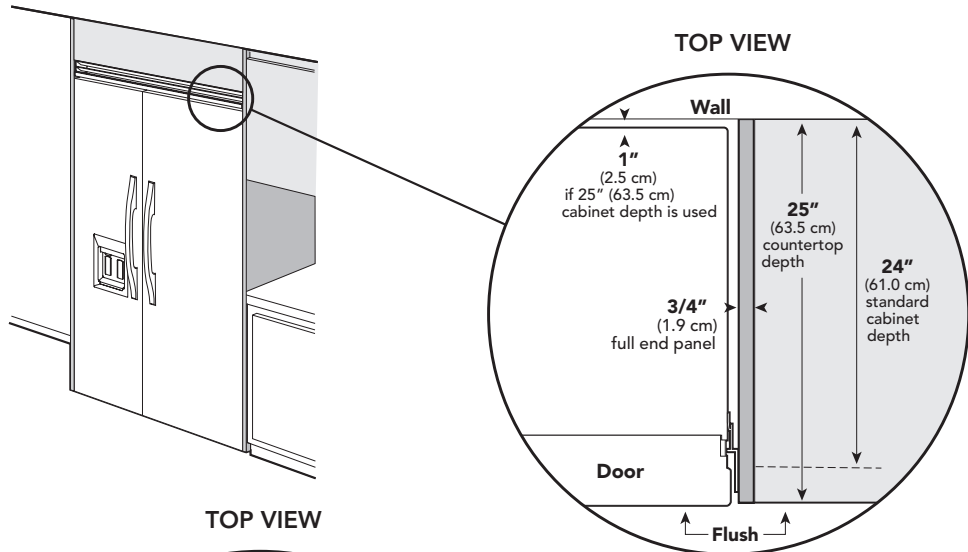
CLEARANCE DIMENSIONS—PROFESSIONAL





Dimensions & Specifications

CLEARANCE DIMENSIONS—PROFESSIONAL INTEGRATED/DESIGNER





UTILITY REQUIREMENTS



GAS
Not applicable



ELECTRICAL

- Three-wire cord with grounded three-prong plug attached to product
- 115 VAC/60 Hz; 15 amp dedicated circuit
- Maximum amp usage—11.5
- Estimated energy usage—727 kWh/year



PLUMBING

- Inlet waterline requirements—1/4" copper tubing
- 35 psi min.; 120 psi max.

Installation Requirements

ACCESS REQUIREMENTS



VCSB483D/VISB483D
Professional/Professional Integrated

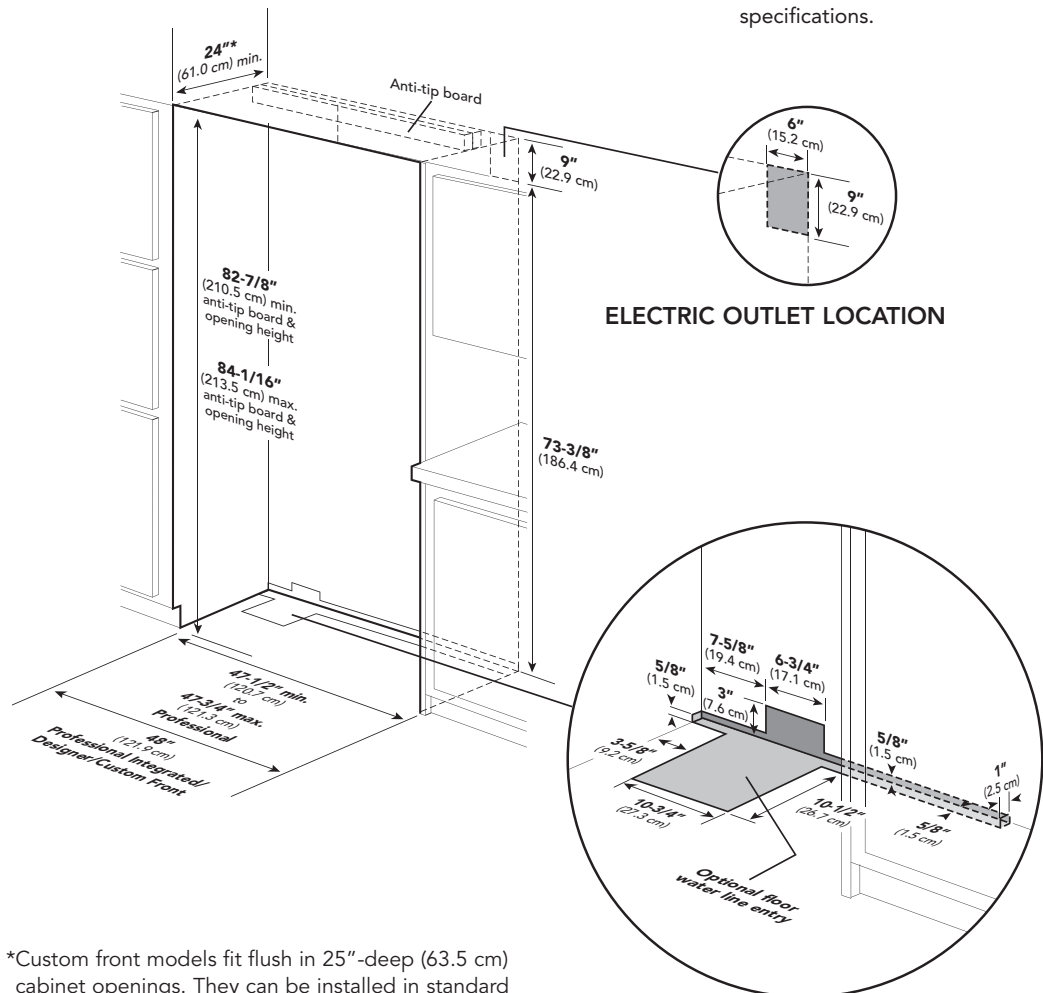


DDSB483D
Designer



DFSB483D
Custom Front

See **Custom Panels** section for more information and additional specifications.



*Custom front models fit flush in 25"-deep (63.5 cm) cabinet openings. They can be installed in standard 24"-deep openings. The door faces and top grille will protrude 3/4" (1.9 cm) into the room.

| | VCSB483D | VISB483D | DDSB483D | DFSB483D |
|---------------|---|----------------|----------------|----------------|
| Cutout width | 47-1/2" (120.7 cm) min. to 47-3/4" (121.3 cm) max. | 48" (121.9 cm) | 48" (121.9 cm) | 48" (121.9 cm) |
| Cutout height | 82-7/8" (210.5 cm) min. to 84-1/16" (213.5 cm) max. | | | |
| Cutout depth | 24" (61.0 cm) min.* | | | |



REFRIGERATION

Built-In 48"W. Side-By-Side Refrigerator/Freezer with Dispenser



★ Installation Notes & Accessories

Side Panel Kits

- Stainless Steel (SS)
- Panels provide finished, freestanding look; unit must still be secured to the wall
- Kit includes one panel and installation hardware

| Model | Description | Approx. ship wt. lbs. (kg) |
|--------|--|----------------------------|
| PSSPL2 | Professional side panel left (VSCB) | 45 (20.2) |
| PSSPR2 | Professional side panel right (VSCB) | 45 (20.2) |
| DSSPL2 | Designer side panel left (VISB/DDSB/DFSB) | 45 (20.2) |
| DSSPR2 | Designer side panel right (VISB/DDSB/DFSB) | 45 (20.2) |

Side Panel Hardware Kit

- For use with Designer built-in refrigerator/freezers
- Hardware allows installation of custom side panels
- Kit includes brackets, screws, and installation instructions to mount panels on left and right side

| Model | Description | Approx. ship wt. lbs. (kg) |
|--------|---------------------|----------------------------|
| SPHKDS | Side panel hardware | 3 (1.4) |

Top Panel Kit

- Stainless Steel (SS)
- Panel provides finished, freestanding look; unit must still be secured to the wall
- Kit includes one panel and installation hardware

| Model | Description | Approx. ship wt. lbs. (kg) |
|--------|-----------------|----------------------------|
| TOP-48 | 48"W. top panel | 24 (10.8) |

Handle Kits

- For use with custom front refrigerator/freezers
- For use on locally supplied custom front panels
- Handles allow refrigerator/freezers with custom front panel to coordinate with other Professional and Designer products
- Kit includes two handles and installation hardware

| Model | Description | Approx. ship wt. lbs. (kg) |
|-------------|--|----------------------------|
| PHK-DFSB-SS | Professional handles (Stainless Steel) | 10 (4.5) |
| PHK-DFSB-BR | Professional handles (Brass) | 10 (4.5) |
| HKFDS-SS | Designer handles (Stainless Steel) | 10 (4.5) |
| HKFDS-BR | Designer handles (Brass) | 10 (4.5) |

Replacement Water Filter

- Reduces sediment, taste, and odor
- Reduces cysts, particulates, turbidity, lead, chlorine, atrazine, and lindane
- NSF-certified
- Ready to install—no assembly required
- Replacement recommended every nine months

| Model | Description | Approx. ship wt. lbs. (kg) |
|----------|--------------------------|----------------------------|
| RWF-DISP | Replacement water filter | 5 (2.3) |

Compliance Information



WARRANTY SUMMARY*

- Two-year full warranty—complete unit
- Six-year full warranty—sealed refrigeration system and automatic ice maker
- Twelve-year limited warranty—sealed refrigeration system (includes compressor, condenser, dryer/strainer, evaporator, and connecting tubing)
- Ninety-day limited warranty—cosmetic parts such as glass, painted, and decorative items

*For complete warranty see *Use & Care Guide*. Warranty valid on Viking products shipped within the United States and Canada.

