



REFRIGERATION

Built-In 42"W. Side-By-Side Refrigerator/Freezer



Standard Features & Accessories

All models include

- Total capacity—24.0 cu. ft. (679.7 L)
 - 84"H./24"D.
- ProChill™ Temperature Management System
 - Variable-speed, single compressor system includes the quietest, most technologically advanced compression system available
 - Electronic controls maintain the temperature selection within 1°F
 - Multi-channel airflow system removes odors and excess humidity
- Frost-free refrigerator
 - Capacity—15.0 cu. ft. (424.8 L)
 - Five adjustable tempered glass spillproof shelves
 - Convertible temperature-controlled Meat Savor™/produce drawer with precision ball-bearing glides
 - Separate temperature control can be set for produce or fresh meat storage
- Frost-free freezer
 - Capacity—9.0 cu. ft. (254.9 L)
 - Adaptive defrost
 - Factory-installed automatic ice maker
 - Three wire shelves and two slide-out baskets
- Quick-chill option chills foods and beverages in minutes
- Moisture adjustable see-through produce drawer with precision ball-bearing glides
- Two in-the-door dairy compartments
- Four adjustable aluminum door bins
- Top-shelf provides quick chill-down area
- Egg bin and butter tray
- Three large adjustable aluminum door bins with tempered glass front
- Open door alarm sounds and glows to warn that door has been ajar for three minutes
- Adjustable door stops standard—90°, 110°, or 120° swing
- Sabbath Mode

Model Options



VCSB423/VISB423
Professional/Professional
Integrated

- FINISH DETAILS FOR VCSB/VISB MODELS**
- Stainless Steel (SS), Black (BK), White (WH), Metallic Silver (MS), Graphite Gray (GG), Stone Gray (SG), Taupe (TP), Biscuit (BT), Cotton White (CW), Oyster Gray (OG), Golden Mist (GM), Lemonade (LE), Sage (SA), Mint Julep (MJ), Sea Glass (SE), Iridescent Blue (IB), Viking Blue (VB), Pumpkin (PM), Racing Red (RR), Apple Red (AR), Burgundy (BU), Plum (PL), Chocolate (CH), and Cobalt Blue (CB).
 - Finish codes designate door fronts. Stainless steel upper grille, side trim, and handles (with chrome-plated brackets); black lower kickplate.
 - Brass Trim Option (BR)—nameplate, handle/brackets, side trim. Brass components have a durable protective coating for maintenance-free normal use.



DDSB423
Designer

- FINISH DETAILS FOR DDSB MODEL**
- Stainless Steel (SS), Black (BK), White (WH), Metallic Silver (MS), Graphite Gray (GG), Stone Gray (SG), Taupe (TP), Biscuit (BT), Cotton White (CW), Oyster Gray (OG), Golden Mist (GM), Lemonade (LE), Sage (SA), Mint Julep (MJ), Sea Glass (SE), Iridescent Blue (IB), Viking Blue (VB), Pumpkin (PM), Racing Red (RR), Apple Red (AR), Burgundy (BU), Plum (PL), Chocolate (CH), and Cobalt Blue (CB).
 - Finish codes designate door fronts. Stainless steel upper grille, side trim, and handles, with black lower kickplate.
 - Brass Trim Option (BR)—handle. Brass components have a durable protective coating for maintenance-free normal use.



DFSB423
Custom Front

- FINISH DETAILS FOR DFSB MODEL**
- Handles not included—opt for custom handles, or purchase a Viking Professional Series or Designer Series handle kit (see **Installation Notes & Accessories**).
 - See **Custom Panels** section for more information and additional specifications.

ORDERING INSTRUCTIONS

First specify model number, and then color code (VCSB423**SS**). If ordering optional brass trim, specify code at end (VCSB423**SSBR**).





REFRIGERATION

Built-In 42"W. Side-By-Side Refrigerator/Freezer



★ Please see Installation Notes & Accessories for important information, including panel and handle kits.



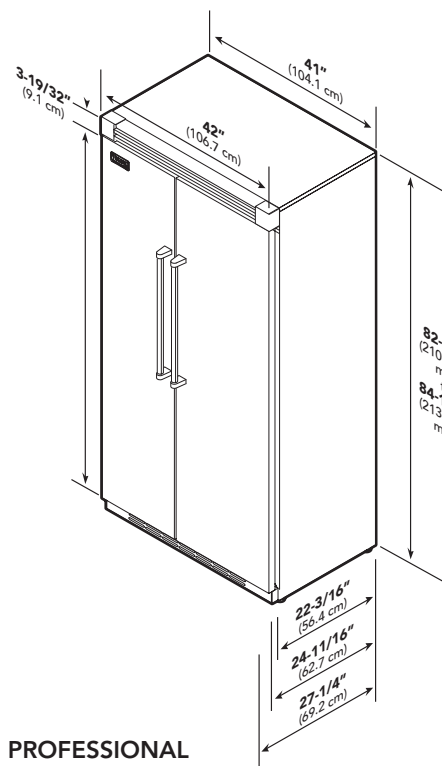
ALL MODELS
Star-K Kosher Certification for use on the Jewish Sabbath or Jewish holidays

Dimensions & Specifications

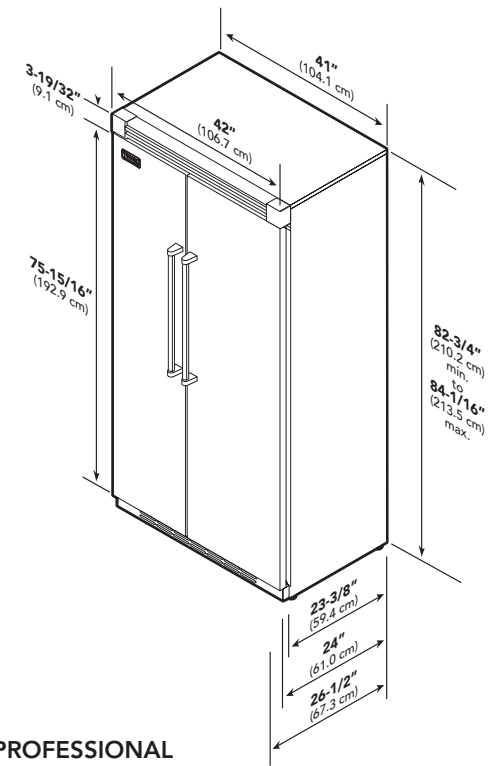
PRODUCT DIMENSIONS



VCSB423/VISB423
Professional/Professional Integrated



PROFESSIONAL



PROFESSIONAL INTEGRATED

	VCSB423	VISB423
Overall width	42" (106.7 cm)	
Overall height (from bottom)	82-3/4" (210.2 cm) min. to 84-1/16" (213.5 cm) max.	
Overall depth (from rear)		
To front edge of side trim	22-3/16" (56.4 cm)	23-3/8" (59.4 cm)
To front of top grille	24-11/16" (62.7 cm)	24" (61.0 cm)
To front of handle	27-1/4" (69.2 cm)	26-1/2" (67.3 cm)
Approx. ship weight	652 lbs. (293.4 kg)	





★ Please see
Installation Notes &
Accessories
for important
information,
including panel and
handle kits.



Star-K Kosher
Certification for
use on the Jewish
Sabbath or Jewish
holidays

Dimensions & Specifications

PRODUCT DIMENSIONS

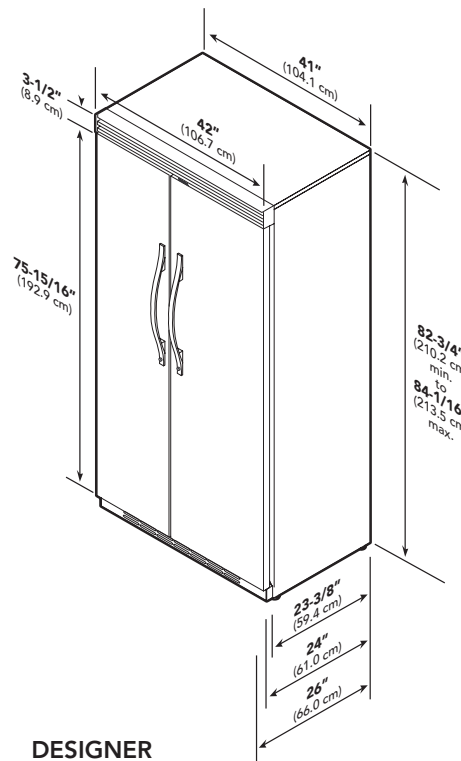


DDSB423
Designer

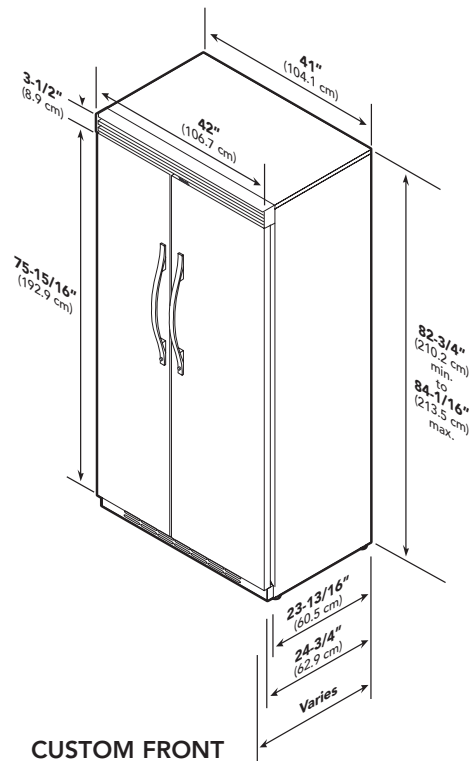


DFSB423
Custom Front

See **Custom Panels** section for
more information and additional
specifications.



DESIGNER



CUSTOM FRONT

	DDSB423	DFSB423
Overall width	42" (106.7 cm)	
Overall height (from bottom)	82-3/4" (210.2 cm) min. to 84-1/16" (213.5 cm) max.	
Overall depth (from rear)		
To front edge of side trim	23-3/8" (59.4 cm)	23-13/16" (60.5 cm)
To front of top grille	24" (61.0 cm)	24-3/4" (62.9 cm)
To front of handle	26" (66.0 cm)	Varies
Approx. ship weight	642 lbs. (289.0 kg)	525 lbs. (236.2 kg)



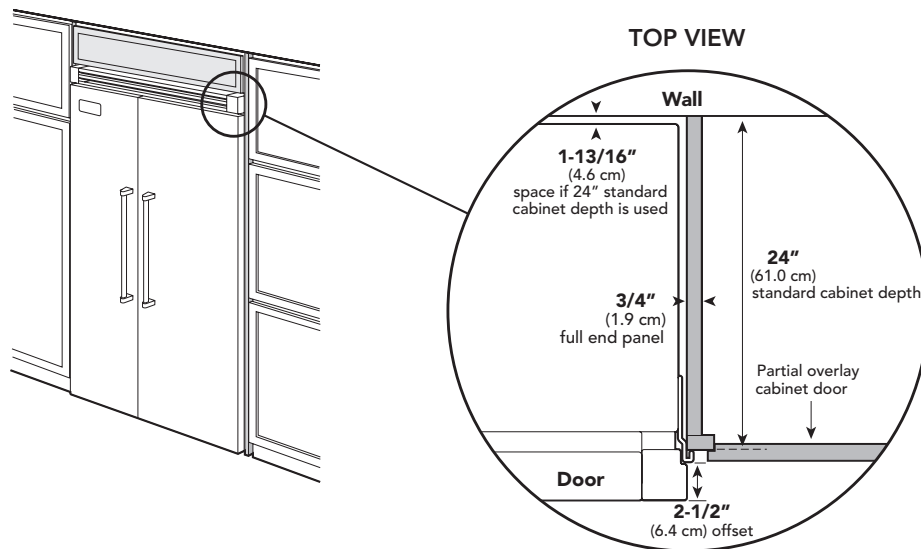
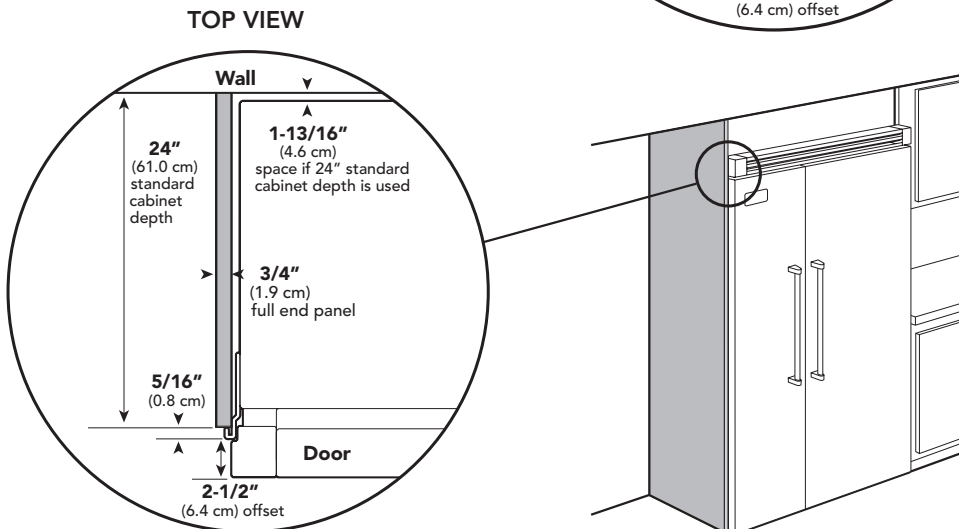
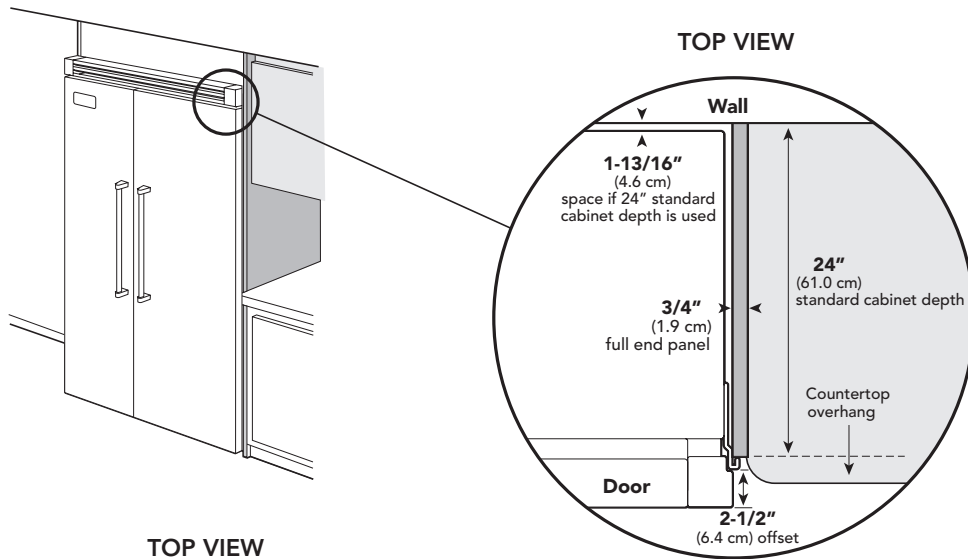
REFRIGERATION

Built-In 42"W. Side-By-Side Refrigerator/Freezer



Dimensions & Specifications

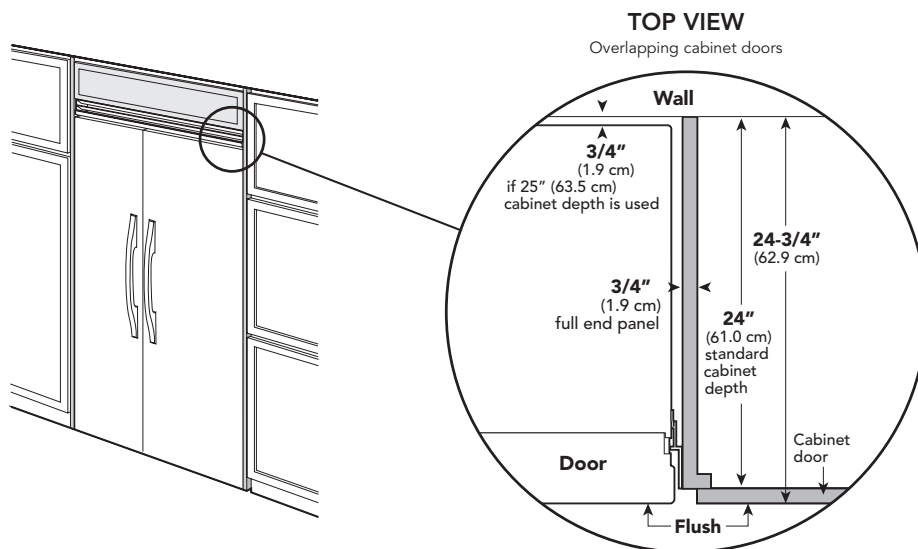
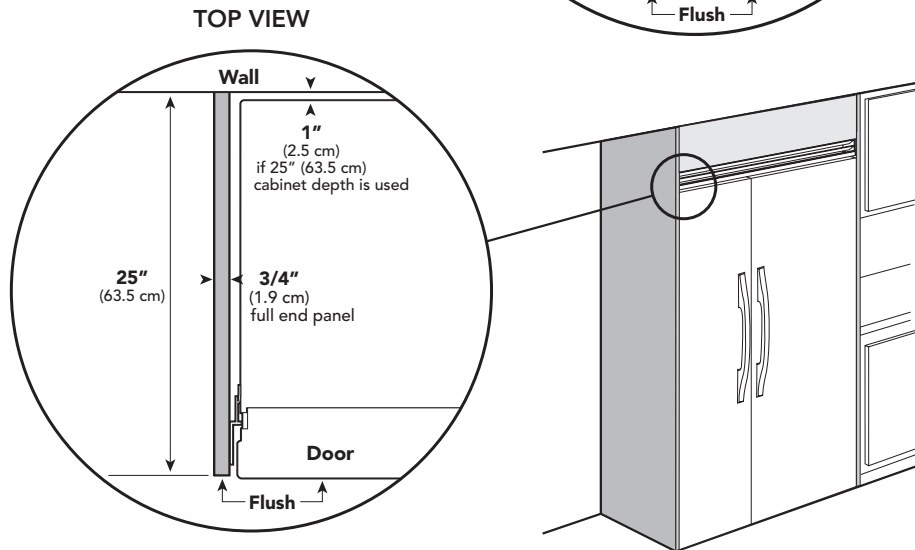
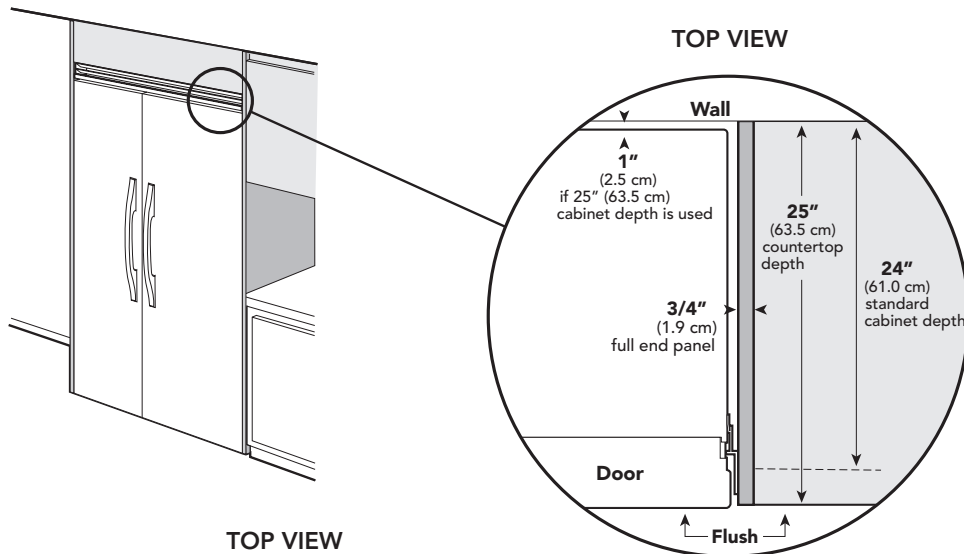
CLEARANCE DIMENSIONS—PROFESSIONAL





Dimensions & Specifications

CLEARANCE DIMENSIONS—PROFESSIONAL INTEGRATED/DESIGNER





UTILITY REQUIREMENTS



GAS
Not applicable



ELECTRICAL

- Three-wire cord with grounded three-prong plug attached to product
- 115 VAC/60 Hz; 15 amp dedicated circuit
- Maximum amp usage—9.9
- Estimated energy usage—653 kWh/year



PLUMBING

- Inlet waterline requirements—1/4" copper tubing
- 20 psi min.; 120 psi max.

Installation Requirements

ACCESS REQUIREMENTS



VCSB423/VISB423
Professional/Professional Integrated

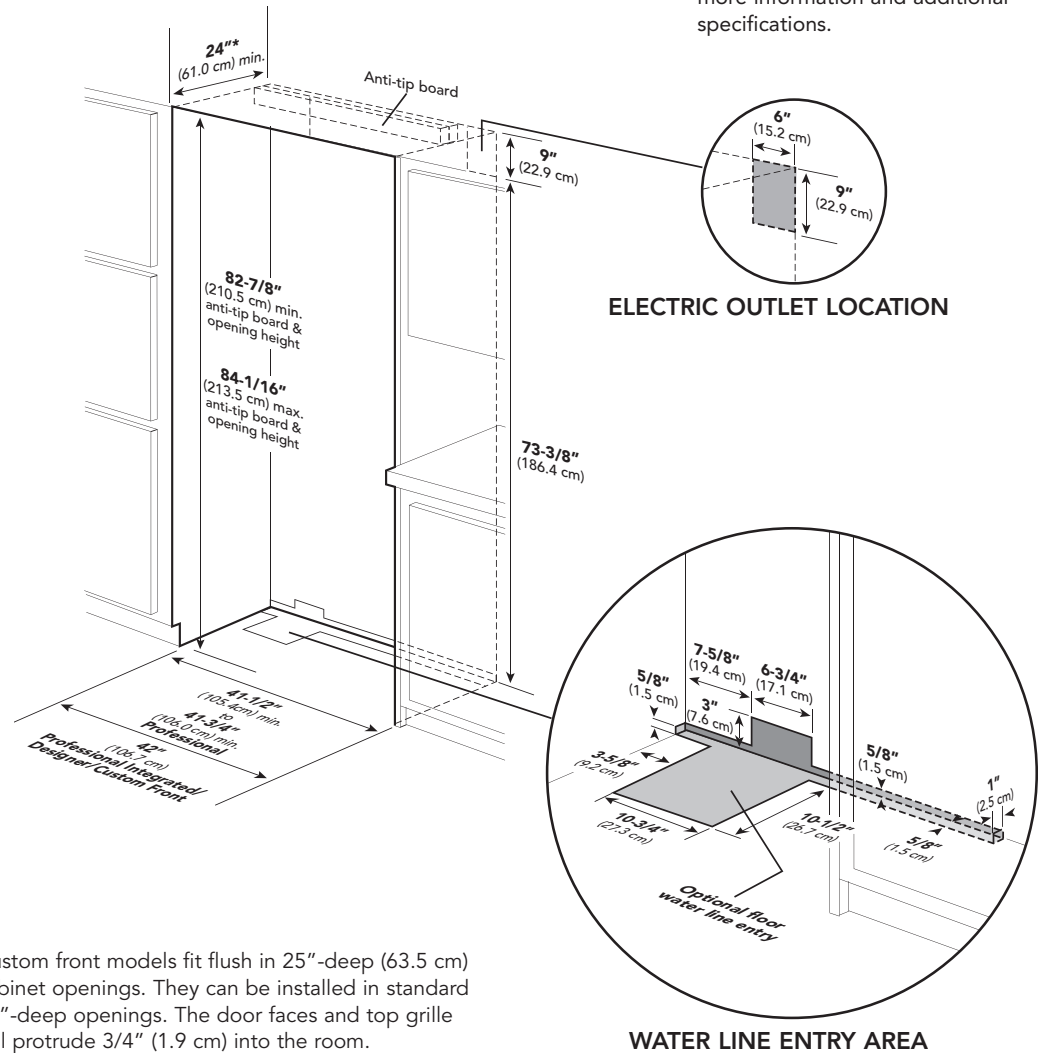


DDSB423
Designer



DFSB423
Custom Front

See **Custom Panels** section for more information and additional specifications.



*Custom front models fit flush in 25"-deep (63.5 cm) cabinet openings. They can be installed in standard 24"-deep openings. The door faces and top grille will protrude 3/4" (1.9 cm) into the room.

	VCSB423	VISB423	DDSB423	DFSB423
Cutout width	41-1/2" (105.4 cm) min. to 41-3/4" (106.0 cm) max.	42" (106.7 cm)	42" (106.7 cm)	42" (106.7 cm)
Cutout height	82-7/8" (210.5 cm) min. to 84-1/16" (213.5 cm) max.			
Cutout depth	24" (61.0 cm) min.*			



REFRIGERATION

Built-In 42"W. Side-By-Side Refrigerator/Freezer



★ Installation Notes & Accessories

Side Panel Kits

- Stainless Steel (SS)
- Panels provide finished, freestanding look; unit must still be secured to the wall
- Kit includes one panel and installation hardware

Model	Description	Approx. ship wt. lbs. (kg)
PSSPL2	Professional side panel left (VCSB)	45 (20.2)
PSSPR2	Professional side panel right (VCSB)	45 (20.2)
DSSPL2	Designer side panel left (VISB/DDSB/DFSB)	45 (20.2)
DSSPR2	Designer side panel right (VISB/DDSB/DFSB)	45 (20.2)

Side Panel Hardware Kit

- For use with Designer built-in refrigerator/freezers
- Hardware allows installation of custom side panels
- Kit includes brackets, screws, and installation instructions to mount panels on left and right side

Model	Description	Approx. ship wt. lbs. (kg)
SPHKDS	Side panel hardware	3 (1.4)

Top Panel Kit

- Stainless Steel (SS)
- Panel provides finished, freestanding look; unit must still be secured to the wall
- Kit includes one panel and installation hardware

Model	Description	Approx. ship wt. lbs. (kg)
TOP-42	42"W. top panel	23 (10.4)

Handle Kits

- For use with custom front refrigerator/freezers
- For use on locally supplied custom front panels
- Handles allow refrigerator/freezers with custom front panel to coordinate with other Professional and Designer products
- Kit includes two handles and installation hardware

Model	Description	Approx. ship wt. lbs. (kg)
PHK-DFSB-SS	Professional handles (Stainless Steel)	10 (4.5)
PHK-DFSB-BR	Professional handles (Brass)	10 (4.5)
HKFDS-SS	Designer handles (Stainless Steel)	10 (4.5)
HKFDS-BR	Designer handles (Brass)	10 (4.5)

Compliance Information



WARRANTY SUMMARY*

- Two-year full warranty—complete unit
- Six-year full warranty—sealed refrigeration system and automatic ice maker
- Twelve-year limited warranty—sealed refrigeration system (includes compressor, condenser, dryer/strainer, evaporator, and connecting tubing)
- Ninety-day limited warranty—cosmetic parts such as glass, painted, and decorative items

*For complete warranty see *Use & Care Guide*. Warranty valid on Viking products shipped within the United States and Canada.

