

CUSTOM PANEL-REFRIGERATION

Built-In 30"/36"W. All Refrigerator/All Freezer—DFRB304/364, DFFB304/364



Dimensions & Specifications

CUSTOM PANEL DIMENSIONS



DFRB304



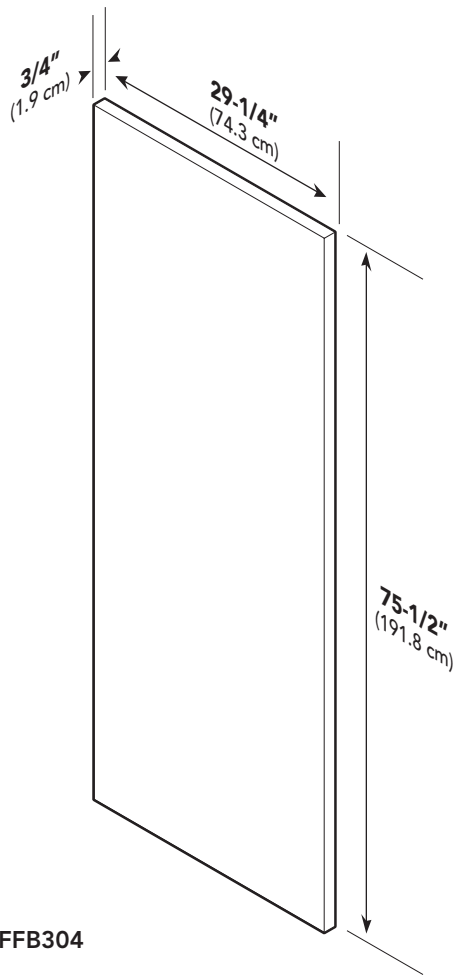
DFRB364



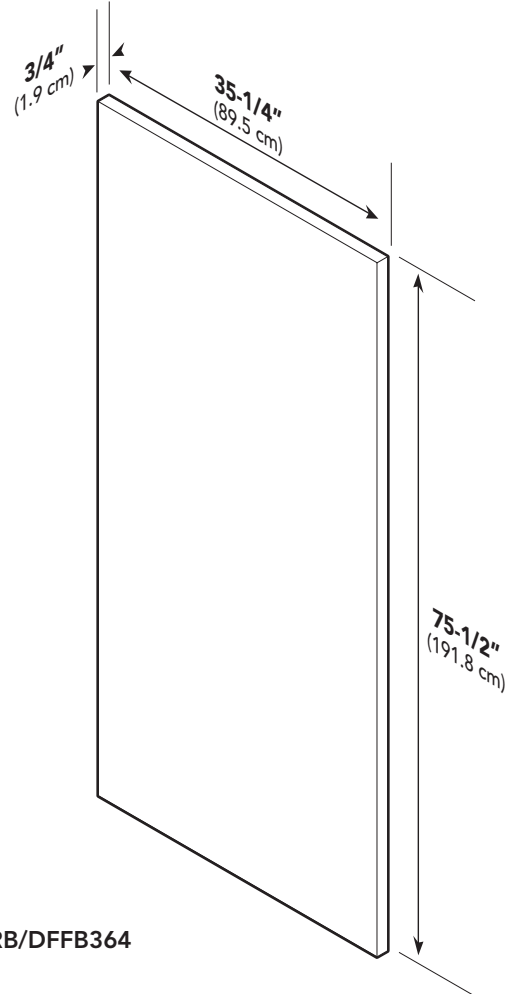
DFFB304



DFFB364



DFRB/DFFB304



DFRB/DFFB364

Note: Panel overlays must be dry, solid, straight one piece panels. The use of multiple panel pieces to achieve the dimensions is not recommended.

Note: A 1/4" wood filler or insulation filler must be used between the door and 3/4" wood panel to prevent condensation from forming. The dimensions of the wood filler are 1/4" smaller than the dimensions shown.

	DFRB304	DFRB364	DFFB304	DFFB364
Overall panel width	29-1/4" (74.3 cm)	35-1/4" (89.5 cm)	29-1/4" (74.3 cm)	35-1/4" (89.5 cm)
Overall panel height	75-1/2" (191.8 cm)			
Overall panel depth	3/4" (1.9 cm)*			
Maximum panel weight	50 lbs. (22.7 kg)	60 lbs. (27.2 kg)	50 lbs. (22.7 kg)	60 lbs. (27.2 kg)

*Panel thickness must not exceed 1" (2.5 cm) on hinge side. Thicker panels will interfere with door swing and clearance.



CUSTOM PANEL-REFRIGERATION

Built-In 30"/36"W. All Refrigerator/All Freezer—DFRB304/364, DFFB304/364



Dimensions & Specifications

CUSTOM SIDE PANEL DIMENSIONS



DFRB304



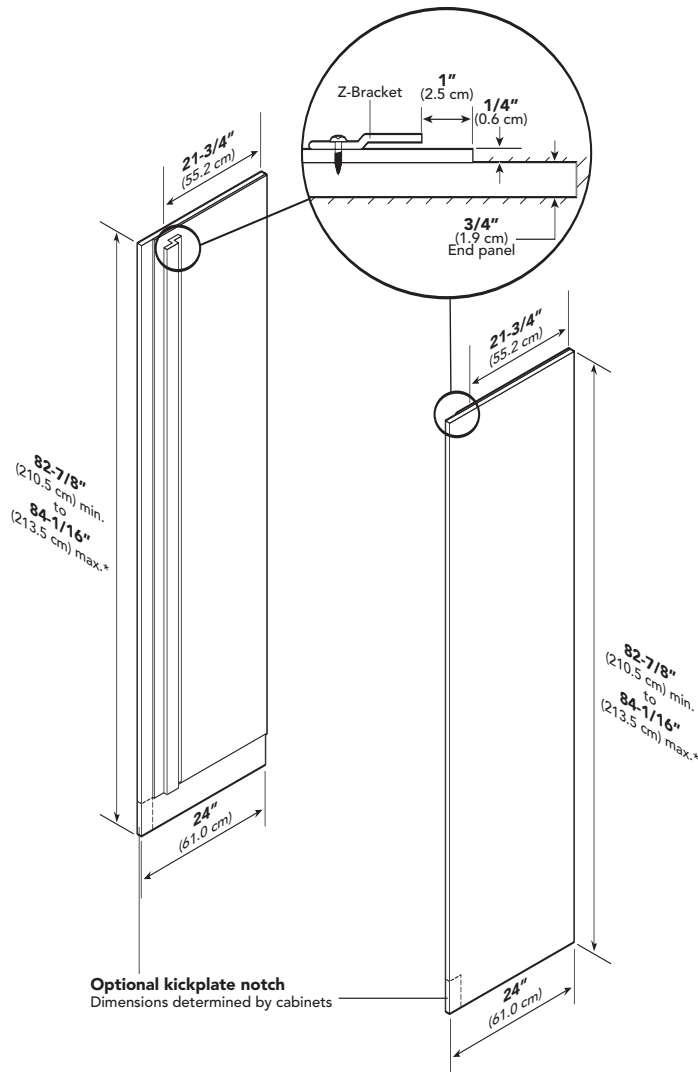
DFRB364



DFFB304



DFFB364



Note: Adding a 3/4" (1.9 cm) side panel adds an additional 3/4" (1.9 cm) to the overall width of the product for each side panel. Requires side panel hardware kit (Kit model number – SPHKDS)

DFRB304/DFRB364/DFFB304/DFRB364

Overall panel width	3/4" (1.9 cm)
Overall panel height	82-7/8" (210.5 cm) min. to 84-1/16" (213.5 cm) max.*
Overall panel depth	24" (61.0 cm)

*Depending on how high leveling feet are raised and cabinet enclosure height.



CUSTOM PANEL-REFRIGERATION

Built-In 30"W. All Refrigerator/All Freezer—DFRB304, DFFB304



Dimensions & Specifications

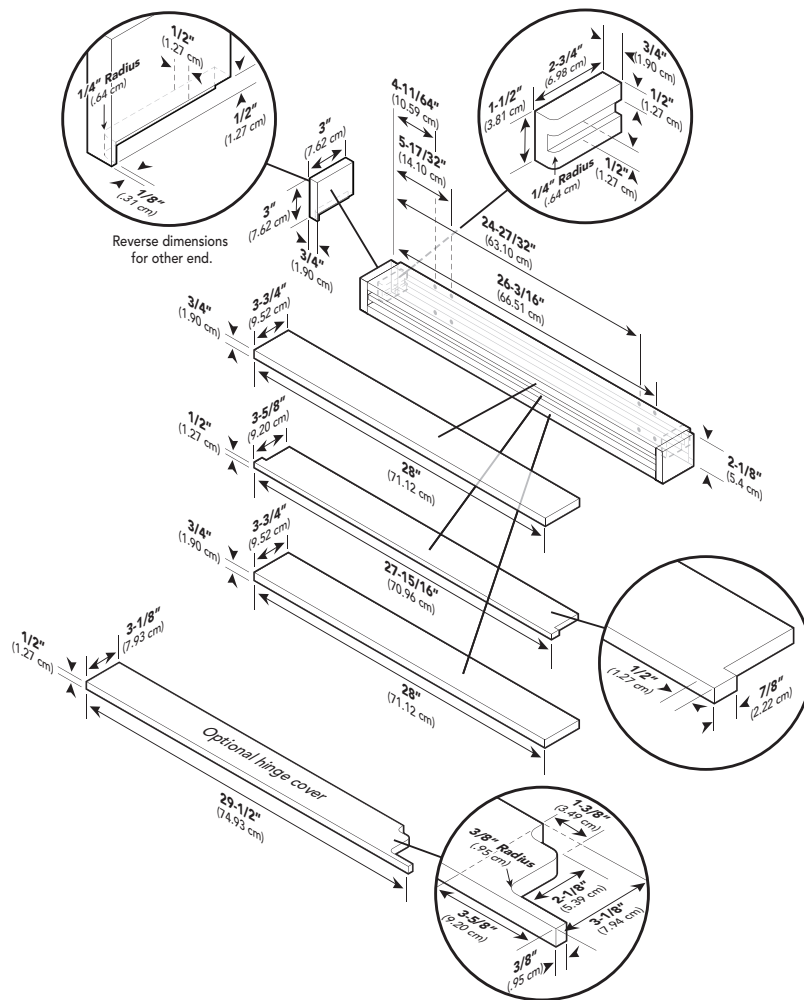
CUSTOM GRILLE DIMENSIONS



DFRB304



DFFB304



DFRB/DFFB304	
Overall grille width	29-1/2" (74.9 cm)
Overall grille height	3" (7.6 cm)
Overall grille depth	3-3/4" (9.5 cm)





Dimensions & Specifications

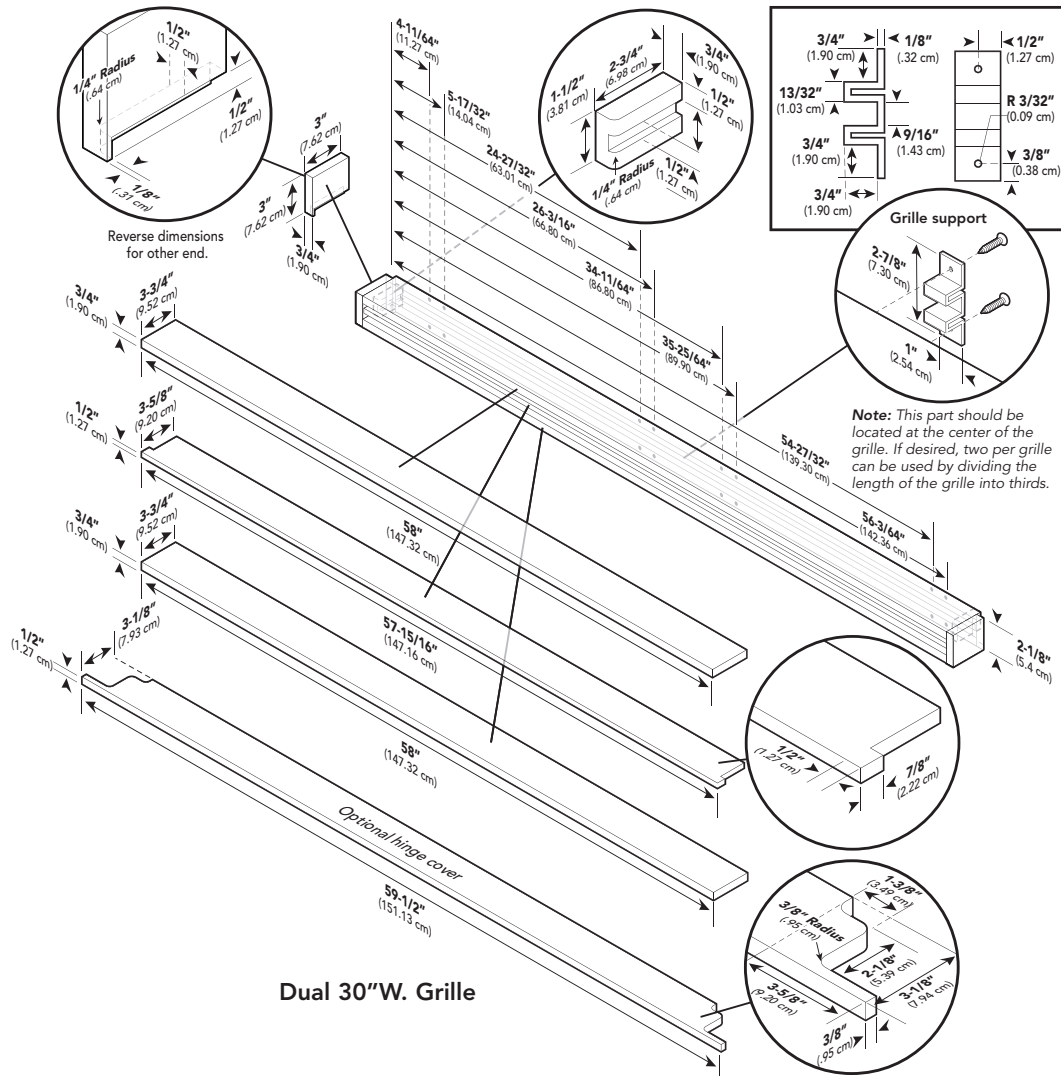
CUSTOM GRILLE DIMENSIONS – DUAL 30"W. ALL REFRIGERATOR/ALL FREEZER INSTALLATION



DFRB304



DFFB304



Note: Dual units can only be made in a left and right hand configuration. To use a custom 60"W. grille, you must purchase the center trim kit FCKSS.

DFRB304/DFFB304	
Overall grille width	59-1/2" (151.1 cm)
Overall grille height	3" (7.6 cm)
Overall grille depth	3-3/4" (9.5 cm)

CUSTOM PANEL-REFRIGERATION

Built-In 36"W. All Refrigerator/All Freezer—DFRB364, DFFB364



Dimensions & Specifications

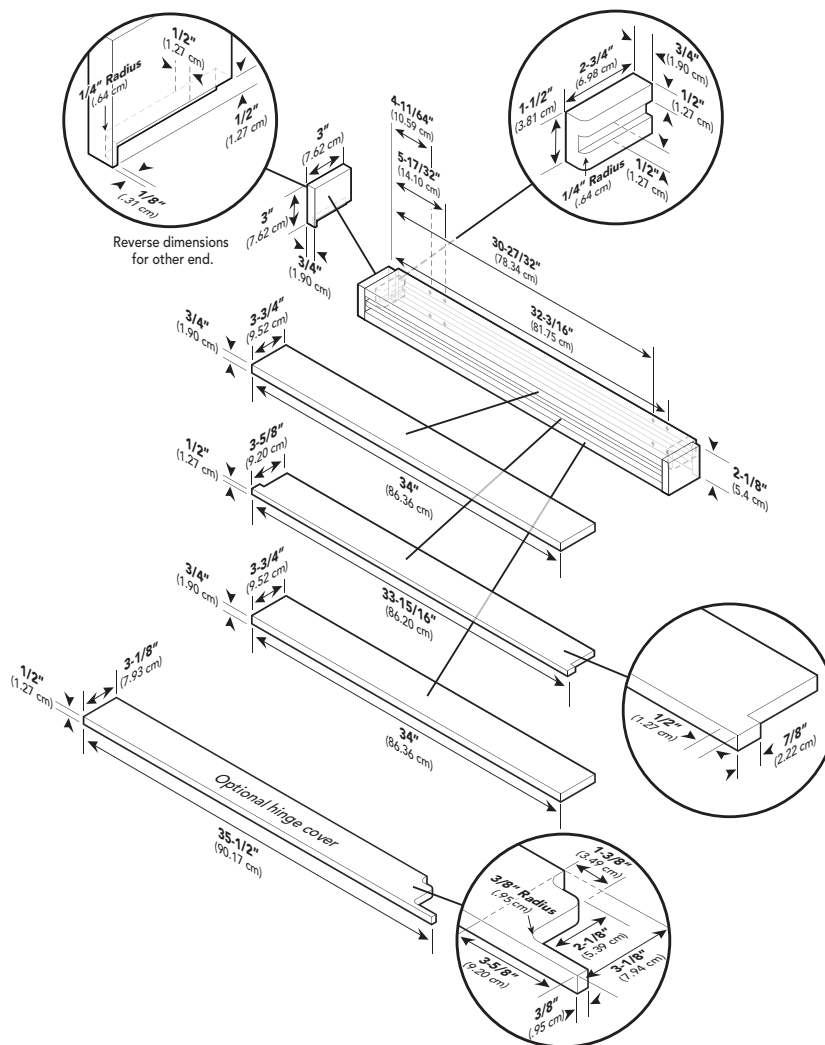
CUSTOM GRILLE DIMENSIONS



DFRB364



DFFB364



DFRB/DFFB364	
Overall grille width	35-1/2" (90.1 cm)
Overall grille height	3" (7.6 cm)
Overall grille depth	3-3/4" (9.5 cm)



CUSTOM PANEL-REFRIGERATION



Built-In 30"/36"W. All Refrigerator/All Freezer—DFRB304/364, DFFB304/364
(1) 30" Unit & (1) 36" Unit

Dimensions & Specifications

CUSTOM GRILLE DIMENSIONS – DUAL ALL REFRIGERATOR/ALL FREEZER INSTALLATION

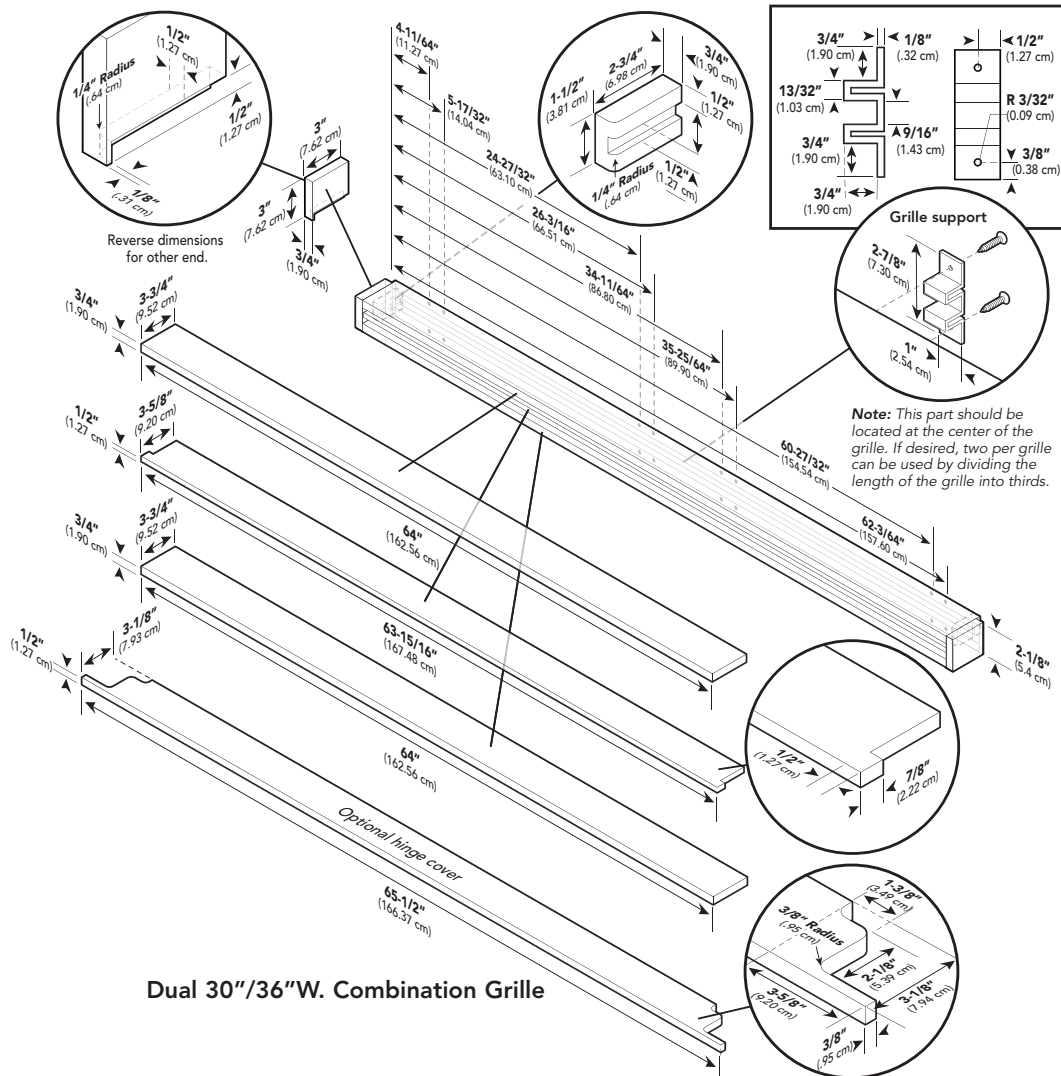


DFRB304

DFRB364

DFFB304

DFFB364



Note: Dual units can only be made in a left and right hand configuration. To use a custom 66"W. grille, you must purchase the center trim kit FCKSS.

	DFRB304	DFRB364	DFFB304	DFFB364
Overall grille width			65-1/2" (166.4 cm)	
Overall grille height			3" (7.6 cm)	
Overall grille depth			3-3/4" (9.5 cm)	



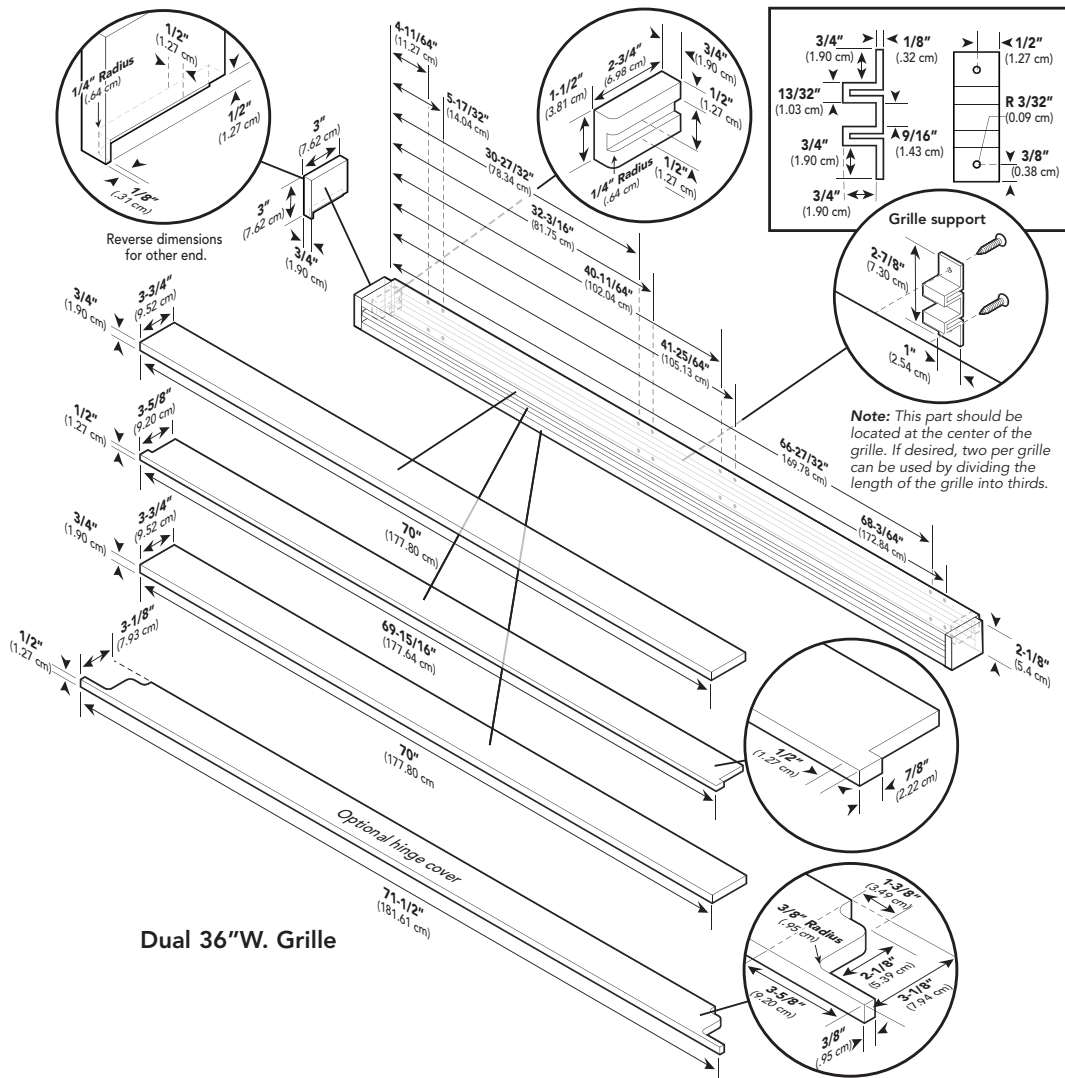


Dimensions & Specifications

CUSTOM GRILLE DIMENSIONS – DUAL 36"W. ALL REFRIGERATOR/ALL FREEZER INSTALLATION



DFRB364



Note: Dual units can only be made in a left and right hand configuration. To use a custom 72"W. grille, you must purchase the center trim kit FCTKSS.

DFRB364/DFFB364	
Overall grille width	71-1/2" (181.6 cm)
Overall grille height	3" (7.6 cm)
Overall grille depth	3-3/4" (9.5 cm)

