

Handles Accessory

Installation Instruction Sheet

INTRODUCTION








Use the following instructions when installing the Handles Accessory Kit to Roadie 25K projectors. The handles are designed to provide a sturdy method of lifting and transporting the projector a short distance. With the optional Rigging Clamp Kit (available separately), the handles can be used for hoisting or rigging a single projector.

Without the need to remove any covers, installation of the handles accessory is relatively straightforward. Accessing the bottom of the projector is the only requirement.

KITS REQUIRED

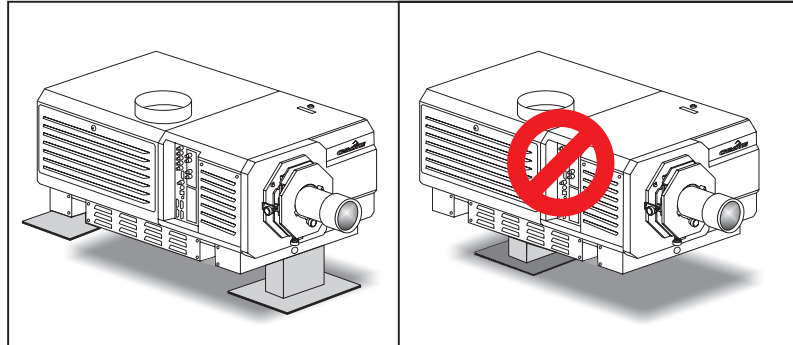
- Handles Accessory Kit (#113-101101-01, includes handles and 4 bolts for installation)
- optional Rigging Clamp Kit (#113-102101-01, required for hoisting/rigging)

SAFETY AND WARNING GUIDELINES

-   Always unplug the projector prior to installation and servicing.
-  This procedure must be completed by qualified personnel only.
-  Four or more people can lift and hand-carry one projector a short distance using the handles.
-  Never use the handles to carry/hoist/rig a stack of projectors.
-  Never exceed the load rating specified for the handles.
-  Please read all instructions before you begin installation.

INSTRUCTIONS

1. **ELEVATE THE PROJECTOR:** Install safe supports under both ends of the projector so there is approximately 12” clearance over the floor or other stable surface. Do not lift at the center.



⚠ WARNING

Do not lift at the center of the projector. The bottom panel of the projector may crush and damage internal components.

2. **ALIGN HANDLES:** Orient handles so that when installed, the “FRONT” label aligns with the end of the front of the projector. With two people supporting the projector, carefully slide handles into position, lifting the projector off the blocks as needed to position handles within the channels at the bottom.

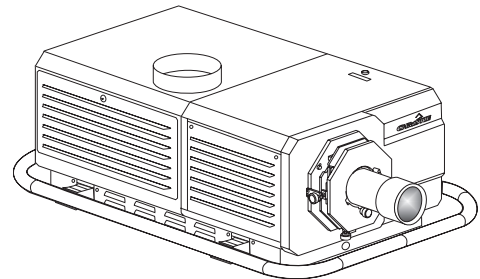


Figure 1 - Align Handles

3. **SECURE HANDLES:** Using the four bolts provided in the kit, secure the handles to the bottom of the projector.

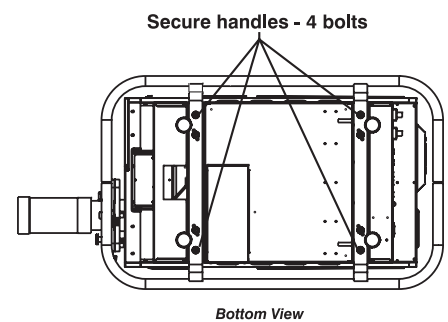


Figure 2 - Secure handles

USING HANDLES TO HOIST/RIG A SINGLE PROJECTOR

You can safely hoist and/or suspend a **single** projector by its handles, using the rigging clamps available separately in the Rigging Clamp Kit (#113-101101-01).

Read the following safety warnings before hoisting/rigging ONE projection head.

⚠ WARNING

Remove the projection lens before hoisting/rigging a projector.

⚠ WARNING

Use the projector's handles for hoisting/rigging ONE projector only. Never use the handles to carry/hoist/rig and stack of projectors.

⚠ WARNING

Maximum load rating of handles is 385 lb./174.63kg.

Use straps and/or cabling with load capacity adequate for the total weight of the projector and handles when lifting/hoisting. Never exceed the load rating specified.

⚠ WARNING

When flying a single projector using the handles, the overhead truss must have a minimum load rating of 1925 lb. (873kg). Support structure/truss must comply with applicable local codes. An inadequate truss may cause serious injury or death.

When hoisting/rigging a single projector using the handles, do the following:

1. Remove projector lens.
2. Clamp the 4 rigging clamps to the projector's handles staying within the assigned rigging zones shown in the figure below. Allow 12 inches between clamps for proper stability. Make sure rigging clamps can swivel freely - do not tighten the cross-bolt of the clevis arm. **NOTE:** Symmetrical placement of the clamps on each side of the handles is strongly recommended. (See Figure 3. and Figure 4.)

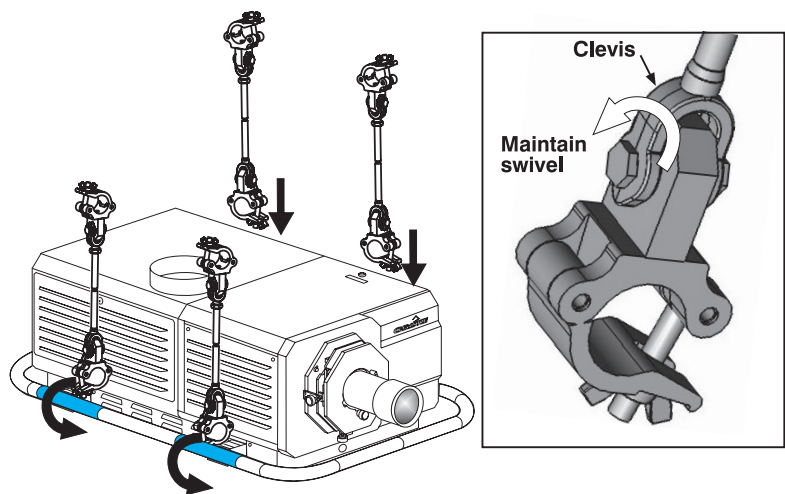
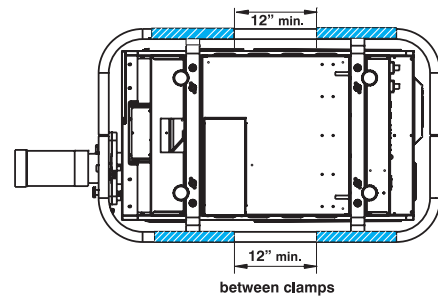


Figure 3 - Install Rigging Clamps

⚠ WARNING

Critical Safety - Minimum of 4 rigging clamps required for a single projector. Always use redundant safety straps and cables. Observe load ratings and all applicable local codes when hoisting/rigging a projector.



BOTTOM VIEW

Figure 4 - Rigging Zones

3. Secure the other end of each clamp to the primary support structure.
4. Secure the projector with an additional two safety straps. Using one safety strap per crossbeam, route the strap through the 2 bottom eyebolts and bring them up and around the outside of the handles.

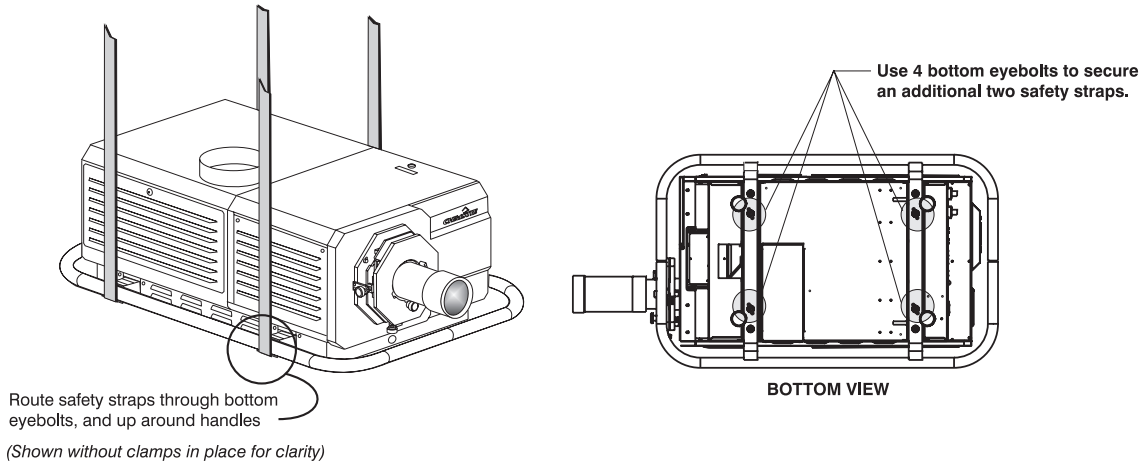


Figure 5 - Secure Projector with Safety Straps

5. Install the projection lens and secure it with its safety ring and tether strap. (Figure 6.) See also the User Manual for more lens installation details.

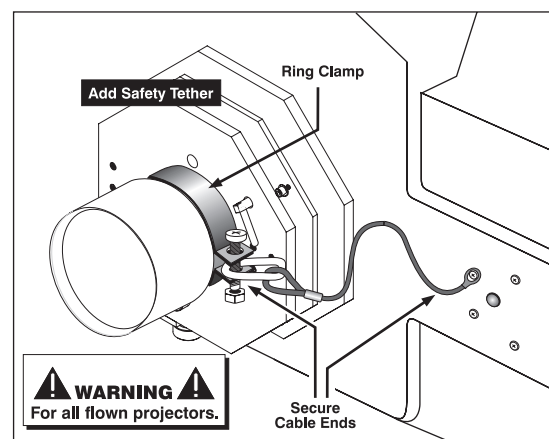


Figure 6 - Secure Lens with Ring Clamp and Tether