

*e*TROSS

ETROSS-8888 CDMA 8 PORTS FWT (GATEWAY)

USER'S MANUAL



ETROSS COPYRIGHT -2009 2'ND VERSION

1. General Description:

Etross-8888 is a CDMA to Analog Converter, the device can produce a FXS line to allow a regular phone to be connected and used just like a local landline(PSTN) except your calls will go out the CDMA network. This device can both receive and make calls.

The main application is: Connecting the RJ-11 FXS line to connect Ordinary telephone set for voice call, to connect PBX for call extentions, to connect billing systems for public phone use, to connect VoIP gateway to realize VoIP call termination, to connect alarm system for security purpose, etc. It is not a VOIP gateway, nor a CDMA+VOIP gateway, It is a CDMA Fixed Wireless Terminal that produces a Analog FXS phone line.

Available in CDMA 800/1900Mhz dual band (optional) ,



1, Front Picture



2, Rear Picture



3, Front Picture with Antenna connection



4, Bottom side picture

- 1), **Front side** has 8pcs RJ-11 ports, and LEDs display for Signal strength, Power, Working Status and Talking indicator;
- 2), **Rear side** has 8pcs SMA antenna connectors, Power switch for every terminal, General Power port and switch;
- 3), **Front side with 8pcs antennas**, this only for display picture, in installation, antenna must be put beyond 1.5 from terminal. Can't be put on the terminal, otherwise it will make noise;
- 4), **Bottom side** has 8pcs Sim card holder slots, you can insert Sim card for each slot when installation.

2. Features:

It is 8 channels CDMA Gateway that has 8 ports FXS interfaces.

It can connect with ordinary telephone set, PBX or VOIP Gateway, call back system

etc. Dialing tone frequency: 450hz

RUIM card Support

Caller ID display

DTMF Dialing

Bell signal

Polarity reversal

The RJ-11 socket which connect the phone or billing system for metering purpose

Antenna socket (SMA)

IP Presetting.

Working status indicator

Signal Strength indicator

3. Technical Specifications

Air interface standard: CDMA 800MHZ 2000 1X RTT

Frequency ranges:

A Frequency ranges:

Tx Frequency: 824.640-848.370MHZ

Rx Frequency: 869.640-893.370MHZ) CDMA 800:

Phone interface: supply RJ-11 Phone Interface

Hanging voltage: 45V

Picking off voltage: 30mA / 41mA

Dialing tone Frequency: 450Hz

Antenna interface: Antenna amplifying>1.5db

Sensitivity:<-104DBM

Transmitting power<3W

Adapter interface: INPUT:AC175~260V

OUTPUT:+12V/1000MA

AC-Power type: EU, US, AU, British can be optional

4. Operation Circumstance:

Operation temperature: -10c~60C

Storage temperature:-20C~70C

Operation humidity:45%-95%

Atmosphere pressure:86-106Kpa

Environment noise: <60DB

Transmitting Power:2W

Sensitivity: <-104dbm

Antenna Amplifying: >1.5db

Dialing frequency: 450Hz

Hanging voltage: 45V

Picking current: 30mA/41mA

5. Checking Package:

ETROSS-8888 CDMA 8 PORTS FWT: **1pcs**;

Power Supply Cable: **1pcs**,

CDMA Antenna with 3m cable: **8pcs**,

User's Manual **1pcs**.

Product dimension: **L455x W280 x H45mm**

Gift box dimension: **L510x W170x H64mm**

G.W: **4.5kg**

6. Installation and Connection

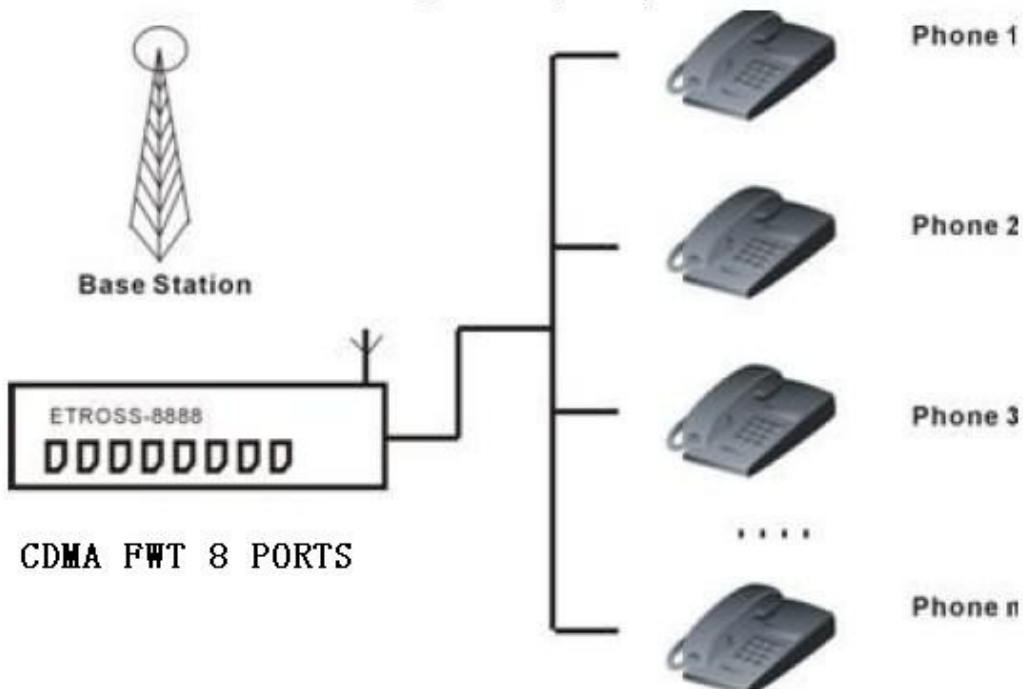
The Condition for Installation

The terminal asks for 110- 220V AV power supply. It must be installed in the area where the CDMA network can cover. The strength of the signal can affect the quality of voice.

1. Screw off the screws that are on the back of the terminal, Insert SIM card for every Sim card holder, and then tighten the screws.
2. Install antenna. In order to ensure the quality of voice, antenna must be put beyond 1.5 from the telephone and terminal.
3. On end of the telephone line connects to the “Phone” port of the terminal, the other end connects to telephone.
4. “Power” port connects to power adapter that is connected to 110-220V AC power supply.

1) The Installation for Connecting to Ordinary Telephone

The Sketch for connecting ordinary Telephone

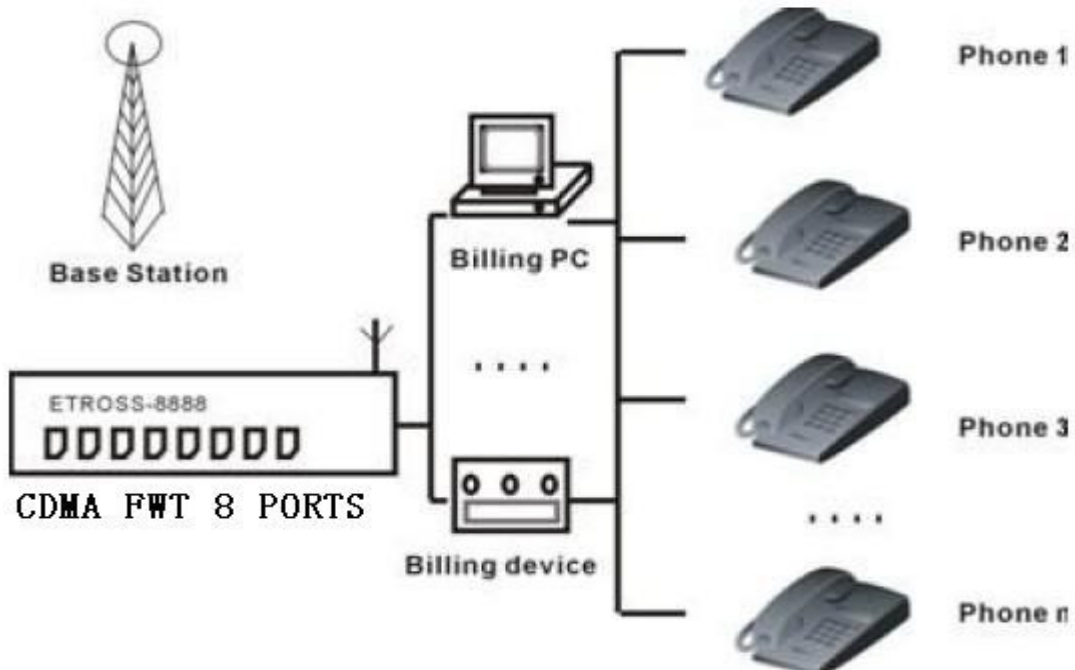


Draw your attention: Because there are many types of ordinary telephone and their electric parameters are different. In order to avoid mutual disturbance between telephone and terminal and affect voice quality. The distance between telephone and terminal is 1.5m at least.

2) The installation for connecting to billing device for metering

If the users demand to register cost during calls, billing device can be connected between terminal and ordinary telephone. Billing device register cost according to the anti-polarity signal that is provided by terminal.

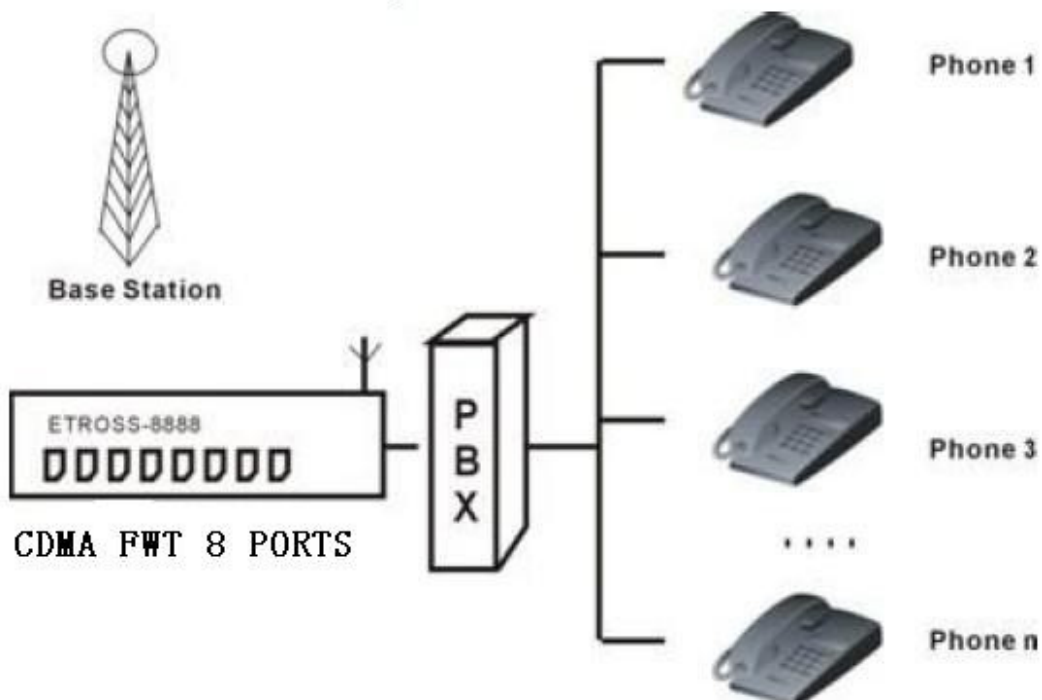
The sketch for connecting to Billing device or Computer charging system



3) The installation for connecting to PBX for call extensions

If users want to connect small PBX to this terminal, connect terminal's "Phone port" to the PBX.

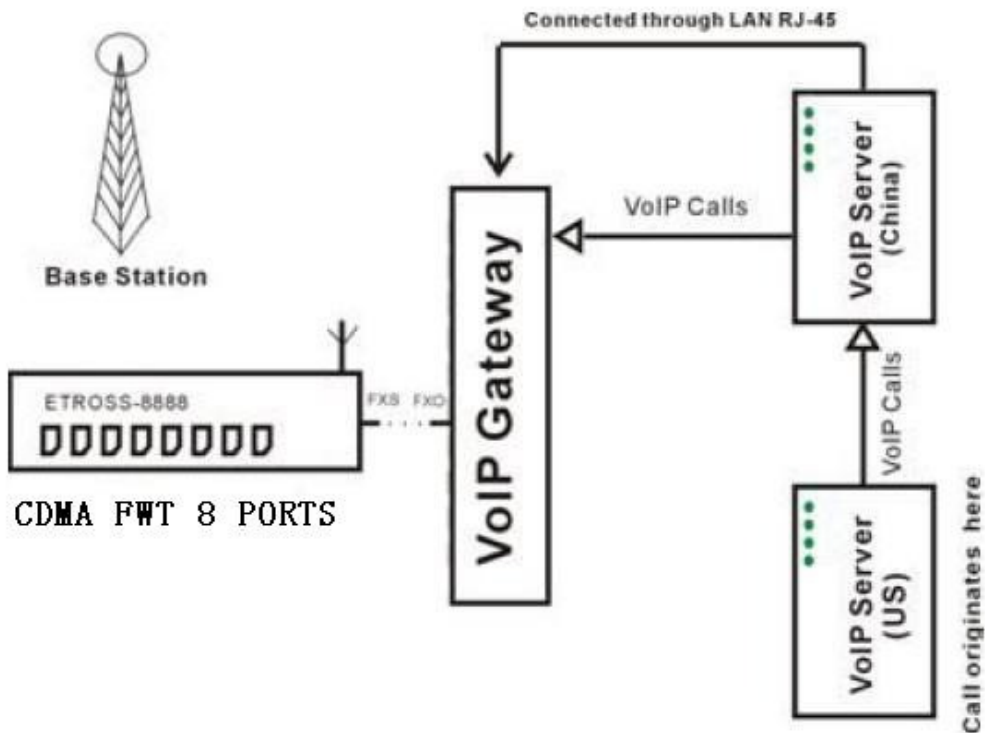
The sketch for connecting to PBX device.



4) The installation for connecting VoIP gateway for Call Termination

Suppose a VoIP call originates from US, which was transferred from US Server to China Server on VoIP, finally the call will be terminated from internet to CDMA network and to be sent out to the destination answer side.

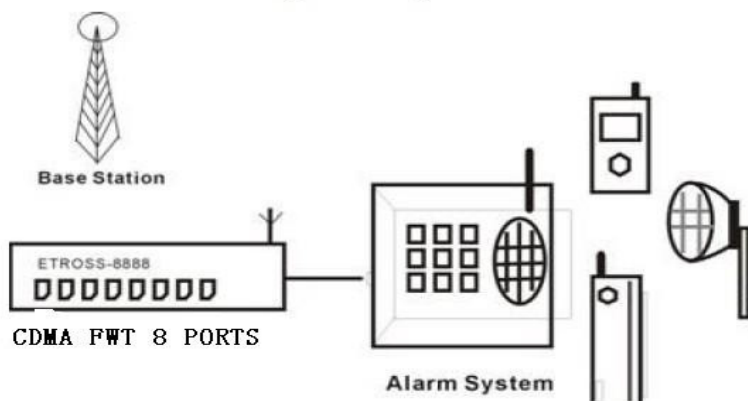
The sketch for connecting to VoIP gateway



5) The installation for connecting to alarm system for Security

The CDMA FWT can substitute the PSTN for connecting to alarm system for security purpose when PSTN failure or not available.

The sketch for connecting to alarm system



7. Function Setting

Before you do the following function settings, Lift handset or press hands-free key of telephone set, then you can press the buttons according to the following instructions to finish setting, you will hear 2 beeps after you finish, this testify setting successfully.

Under standby mode:

1. Press reset button, it shows accumulated billing 1. (If press button for 2 seconds, you can clear the accumulated billing 1)
2. Press reset button for 5 seconds, it shows accumulated billing 2.
3. [Billing 80 groups](#).

*00#000# Restore settings. If it rings "du" for 1 time, it is ok; If it rings "du ..."for more times, it is wrong setting, and you hang up to end. (all the below settings are just the same)

*00#010# Ban calls close (factory default)

*00#011# Ban calls open

*00#012# Not to remove "0" for long-distance calls (factory default)

*00#013# Remove "0" for long-distance calls

*00#014# No need [long ring mode](#) after calls (factory default)

*00#015# Need [long ring mode](#) after calls

*00#016# Allow incoming calls (factory default)

*00#017# Prohibition of incoming calls

*00#018# Close [number sections](#) (factory default)

*00#019# Open [number sections](#)

*00#020# [Not to show the default IP No.](#) (factory default)

*00#021# [show the default IP No.](#)

*00#022# Close automatically lock card

*00#023# Automatically lock card

eTROSS

- *00#024# Close the first three-minute billing
- *00#025# Open the first three-minute billing
- *00#026# GSM network lock
- *00#027# CDMA network lock
- *00#028# cancel network lock (factory default)

- *00#030# lock card manually
- *00#031# unlock card manually
- *00#032# time modification *00#032#NNNNNN#, hour-minute-second format, 2-digit each, 24-hour system

- *00#033# prohibition of out-going calls, direct calls, free calls, clear

- *00#034# [Clear number sections entered manually](#)

- *00#035# Clear total phone charges 2
- *00#036# set recharge number *00#036#NNNNNN#

- *00#040#00000# [1 for prohibition of out-going calls, eg. *00#040#11111#](#)
[*00#040#00000#](#) (factory default)

[Order: local fix-line telephone, local mobile phone, long-distance fix-line telephone, long-distance mobile phone, international call](#)

- *00#051# set 1st group of IP numbers eg.:*00#051#17951# IP numbers are from 3-digit to 9-digit
- *00#052# set 2nd group of IP numbers eg.:*00#052#17911#
- *00#053# set 3rd group of IP numbers eg.:*00#053#19389#
- *00#054# set 4th group of IP numbers eg.:*00#054#19314#
- *00#055# set 5th group of IP numbers eg.:*00#055#19314#

*00#060#<number1><number2><number3><number4><number5>#

[1 is to dial IP numbers additionally, 0 is not to dial IP numbers numbers range from 0 to 5](#)

[number1 local fix-line telephone dial IP number groups 1 to 5](#)

[number2 local mobile phone dial IP number groups 1 to 5 additionally](#)

[number3 long-distance fix-line telephone dial IP number groups 1 to 5](#)

[number4 long-distance mobile phone dial IP number groups 1 to 5](#)

number5 international call dial IP number groups 1 to 5 additionally

eg.: not to dial any additionally *00#060#00000#<factory default>

eg.: all dial group 1 additionally *00#060#11111#.

eg.: not to dial additionally for local fix-line telephone, but others

dial group 2 *00#060#00222#

*00#070# increase No. sections eg.: increase 1380013

*00#070#380013# <it can save 550 group numbers totally>

*00#100# *00#100#NNN# the rate of the first three-minute is NNN 分

*00#101# *00#101#NNN# the rate of receiving call is NNN 分

*00#102# *00#102#NNN# the rate of local call is NNN 分

*00#103# *00#103#NNN# the rate of long-distance call is NNN 分

*00#104# *00#104#NNN# the rate of call to Hongkong and Taiwan is NNN 分

*00#105# *00#105#NNN# the rate of call to USA, Canada and Hawaii

*00#106# *00#106#NNN# the rate of call to UK, and France is NNN 分<UK, France, Italy, Germany, South Korea, Japan, Australia, New Zealand, Malaysia, Thailand, India, Philipphines>

*00#107# *00#107#NNN# the rate of other countries NNN 分<other international rates>

*00#300# 10 groups ban dial whose initial digits are from 0 to 9 *00#300#~*00#309#

*00#400# 10 groups direct dial number s *00#400#~*00#409#

*00#500# 10 groups free numbers *00#500#~*00#509#

8. Making calls and answering incoming calls

Making Calls

1. Lift the handset or press “hand-free” key, you will hear dialing tone, then you can dial the telephone numbers you want to call.
2. Dialing: dialing the telephone numbers you want to call
3. On completion of dialed digits, you can press “#” to transmit the called telephone numbers. If you don’t dial any key for continual 3 seconds during the dialing, terminal transmits called telephone numbers automatically.
4. During calls, if the telephone numbers is not free ones, the terminal sends out anti-polarity signal.
5. If the calling party or called party hangs up, the terminal stops sending out anti-polarity signal.

Answering Incoming Calls

When some calls are coming in, if the connected telephone has the function of displaying incoming calls, the telephone rings and displays the incoming telephone numbers. Now users can lift the handset or press “hand-free” to answer it.

9. Warranty Card

Please fill in the blanks carefully, and keep it properly as the voucher for warranty.

Type of Equipment	Etross-8888 CDMA Fixed Wireless Terminal		
User's name		Contact with:	
Contact Tel.no.			
Address			
Date of Ex-works			
Date of Maintenance	Damage	Management	Maintainer
Sales Agent (Stamp)		Purchasing Date	