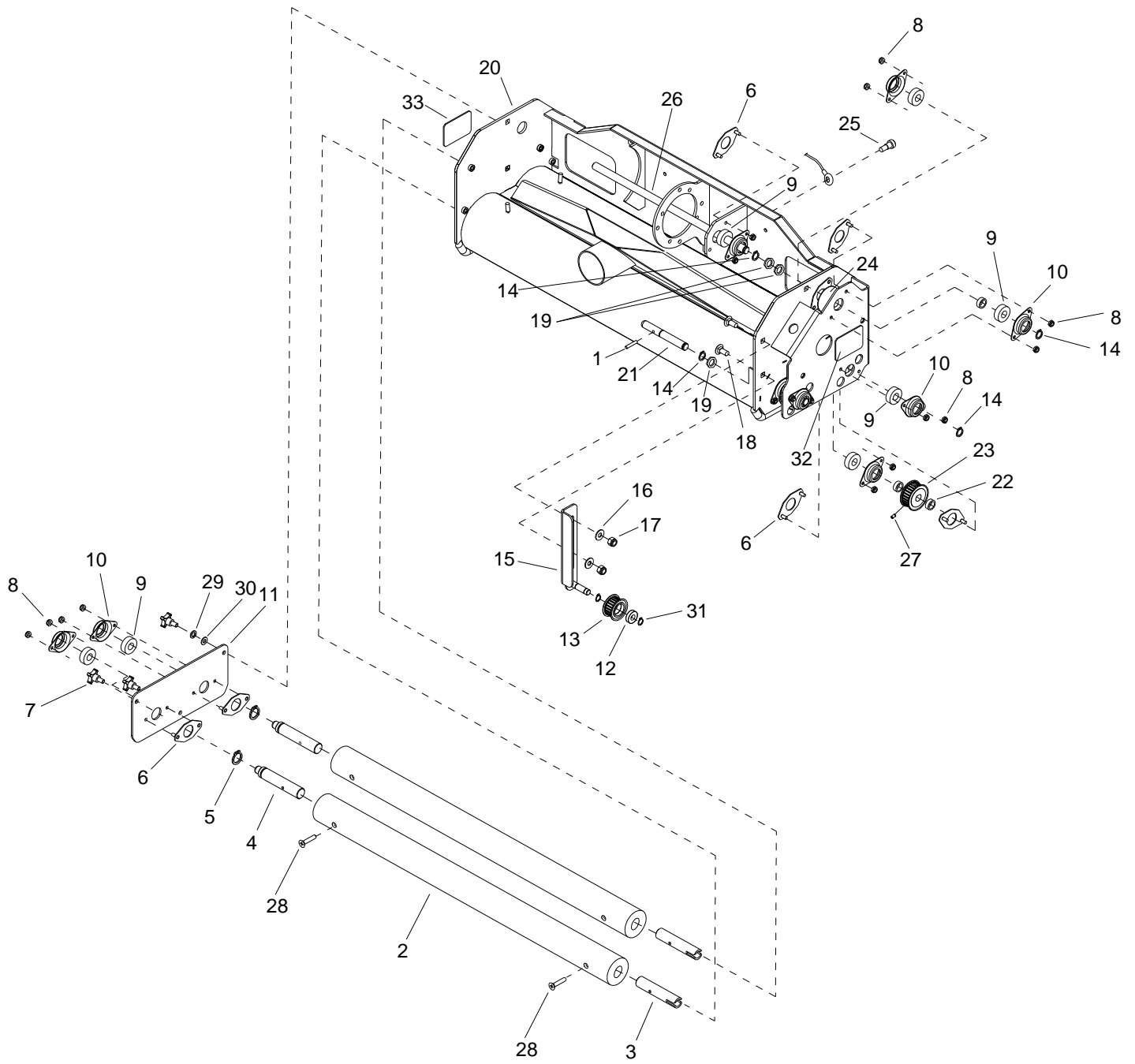




# BRUSH DECK



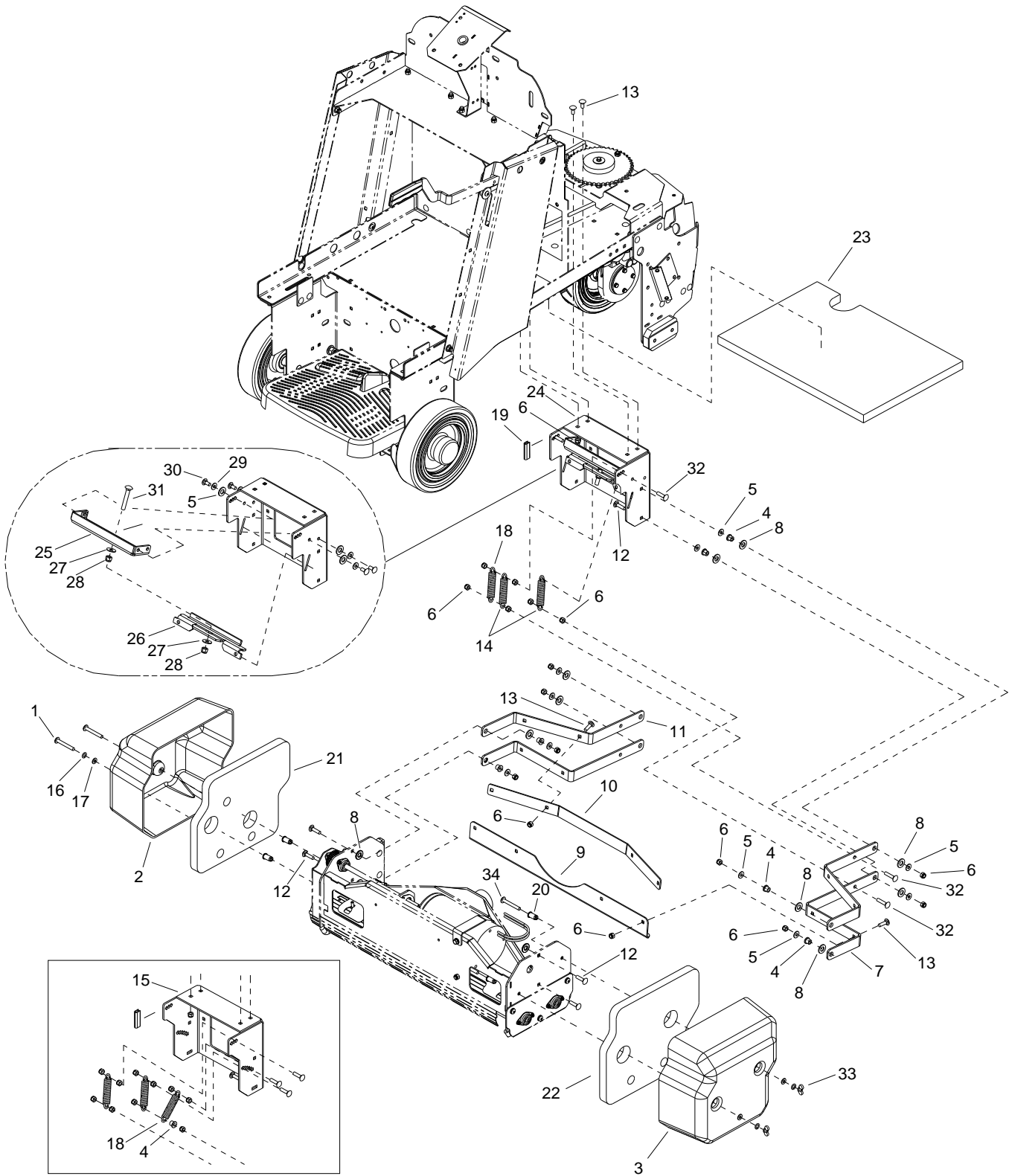
## BRUSH DECK

| REF | PART NO. | PRV NO. | QTY | DESCRIPTION                          | SERIAL NO.<br>FROM | NOTES:    |
|-----|----------|---------|-----|--------------------------------------|--------------------|-----------|
| 1   | 86272350 | 66194   | 2   | PIN, DOWEL GROOVE 3/16" X 3/4"L      |                    |           |
| 2   | 86230700 | 12536   | 2   | BRUSH, 27.75 X 4.0 OD                |                    |           |
| 3   | 86227730 | 03130   | 2   | AXLE, BRUSH DRIVE RECIEVER STUB      |                    |           |
| 4   | 86227720 | 03129   | 2   | AXLE, BRUSH BEARING STUB             |                    |           |
| 5   | 86008710 | 80623   | 4   | RING, 3/4" EXT SNAP H-D              |                    |           |
| 6   | 86079420 | 620113  | 9   | PLATE, LOCK W/STUDS                  |                    |           |
| 7   | 86200500 | 140-11  | 3   | KNOB, RT/TANK                        | *(12)              | WAS 70893 |
| 8   | 86271900 | 57294   | 18  | NUT, 10-24 HEX NYLOCK THIN SS        |                    |           |
| 9   | 86319050 | -       | 9   | BEARING, SHIELDED 1.125 OD X .500 ID | **                 | WAS 09019 |
| 10  | 86000920 | 09055   | 9   | BEARING FLANGE                       |                    |           |
| 11  | 86079430 | 620114  | 1   | PLATE, BRUSH DOOR                    |                    |           |
| 12  | 86229010 | 09162   | 2   | BEARING, 22 X 10 X 6 SS              |                    |           |
| 13  | 86250740 | 64118   | 1   | PULLEY, TIMING 5MM HTD 22T 15W       |                    |           |
| 14  | 86272810 | 67132   | 7   | RING, 1/2 EXT. SNAP H-D              |                    |           |
| 15  | 86068460 | 78943   | 1   | BRACKET, BELT TENSIONER              |                    |           |
| 16  | 86279630 | 87212   | 2   | WASHER, .344 ID X .13 OD X .09 T PLT |                    |           |
| 17  | 86270830 | 57023   | 2   | NUT, 5/16-18 HEX NYLOCK SS           |                    |           |
| 18  | 86277130 | 70795   | 2   | SCR, 5/16-18 X 1.0 CARRIAGE SS       |                    |           |
| 19  | 86279350 | 87140   | 8   | WASHER, WAVE 1/2ID X 3/4D X .125     |                    |           |
| 20  | 86092260 | 29278   | 1   | DECK, BRUSH VACUUM                   |                    |           |
| 21  | 86227710 | 03128   | 2   | AXLE, BRUSH DRIVER STUB              |                    |           |
| 22  | 86254330 | 730401  | 5   | SPACER. .504 ID X .690 OD X .25 L    |                    |           |
| 23  | 86250750 | 64119   | 3   | PULLEY, TIMING 5MM HTD 30T, 15W      |                    |           |
| 24  | 86229450 | 11050   | 1   | BELT, TIMING, 5MM X 12MM 2-SIDED     |                    |           |
| 25  | 86278330 | 70641   | 1   | SHOULDER BOLT, 3/8OD X 3/8L SS       |                    |           |
| 26  | 86227700 | 03127   | 1   | AXLE, .50DIA X 14 W/FLATS, JACK      |                    |           |
| 27  | 86278100 | 70894   | 3   | SET SCR, 10-32 X .5 SOC CUP PT SS    |                    |           |
| 28  | 86277650 | 70895   | 4   | SCR, 1/4-20 X 1.25 PFHMS SS          |                    |           |
| 29  | 86010780 | 87162   | 3   | WASHER, 1/4 SPLIT LOCK PLTD          |                    |           |
| 30  | 86010630 | 87013   | 3   | WASHER, 1/4 ID X 5/8 OD SS           |                    |           |
| 31  | 86272830 | 67138   | 2   | RING, 3/8 EXT SNAP                   |                    |           |
| 32  | 86296990 | -       | 1   | LABEL, BELT ROUTING, IVAC            | *(1)               |           |
| 33  | 86244500 | 501107  | 1   | LABEL, BRUSH ORIENTATION             | *(1)               |           |

\* SEE SERIAL NUMBER PAGE

\*\*CALL MANUFACTURER FOR SERIAL NUMBER

# BRUSH DECK LINKAGE



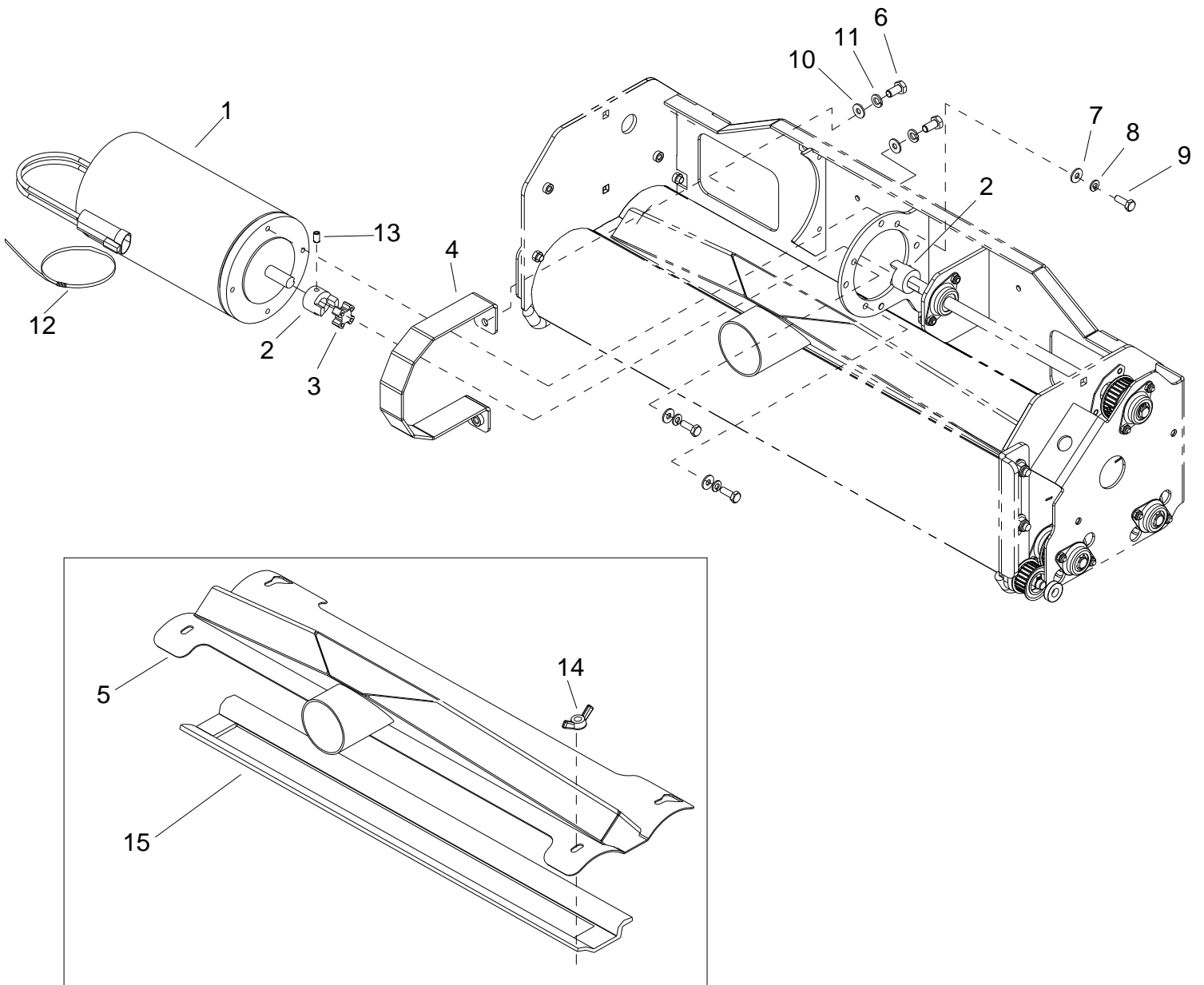
## BRUSH DECK LINKAGE

| REF | PART NO. | PRV NO. | QTY | DESCRIPTION                       | SERIAL NO. FROM | NOTES:       |
|-----|----------|---------|-----|-----------------------------------|-----------------|--------------|
| 1   | 86273920 | 70049   | 4   | SCR, 1/4-20 X 1.75 PPHMS SS       |                 |              |
| 2   | 86063340 | 270141  | 1   | COVER, DECK SIDE, RIGHT           |                 |              |
| 3   | 86063350 | 270142  | 1   | COVER, DECK SIDE, LEFT            |                 |              |
| 4   | 86228840 | 09124   | 6   | BEARING, FLANGED .314ID X .502 OD |                 |              |
| 5   | 86010670 | 87029   | 16  | WASHER, 5/16 FLAT SS              |                 |              |
| 6   | 86270830 | 57023   | 28  | NUT, 5/16-18 HEX NYLOCK SS        |                 |              |
| 7   | 86073550 | 51420   | 2   | BRKT, HEAD ATTACH                 |                 |              |
| 8   | 86259420 | 87232   | 10  | WASHER, THRUST .51 ID X 1 OD BRO  |                 |              |
| 9   | 86068410 | 14838   | 1   | BRACE, ANGLE                      |                 |              |
| 10  | 86088730 | 14819   | 1   | BAR, TIE, DECK                    |                 |              |
| 11  | 86073560 | 51421   | 2   | BRKT, HEAD ATTACH                 |                 |              |
| 12  | 86277030 | 70780   | 8   | SCR, 5/16-18 X 1.25 CARRIAGE SS   |                 |              |
| 13  | 86276070 | 70593   | 8   | SCR, 5/16-18 X 3/4 CARRIAGE SS    |                 |              |
| 14  | 86255000 | 730385  | 4   | SPRING, EXT. .75 OD X 3.5L        |                 |              |
| 15  | 86068420 | 29279   | 1   | BRACKET, SCRUB DECK MOUNTING      |                 |              |
| 16  | 86010780 | 87162   | 4   | WASHER, 1/4 SPLIT LOCK PLTD       |                 |              |
| 17  | 86010810 | 87191   | 4   | WASHER, 1/4 ID X 1.0 OD FLAT SS   |                 |              |
| 18  | 86226830 | 73268   | 2   | SPRING, EXT .68D X 3.00L X .098W  |                 |              |
| 19  | 86235410 | 78946   | 1   | EDGING, 3/16" GRIP X 2.0 LG       |                 |              |
| 20  | 86189050 | 790464  | 4   | NUT, WELL 1/4-20 HD               |                 |              |
| 21  | 86236560 | 43002   | 1   | FOAM, SOUND INSUL, LFT CVR        | *(2)            |              |
| 22  | 86236550 | 43001   | 1   | FOAM, SOUND INSUL, RT CVR         | *(2)            |              |
| 23  | 86236570 | 43003   | 1   | FOAM, SOUND INSUL, UNDR CARR      | *(2)            |              |
| 24  | 86068360 | 141900  | 1   | BRACKET, SCRUB DECK MOUNTING      | *(3)            |              |
| 25  | 86072210 | 141901  | 1   | BRACKET, SPRING TENSIONER         | *(3)            |              |
| 26  | 86068370 | 141903  | 1   | BRACKET, SPRING ANCHOR            | *(3)            |              |
| 27  | 86279510 | 87171   | 2   | WASHER, 3/8 FLAT                  |                 |              |
| 28  | 86271930 | 57297   | 2   | NUT, 3/8-16 HEX NYLOCK SS         |                 |              |
| 29  | 86279130 | 87083   | 2   | WASHER, 5/16 SPLIT LOCK PLTD      |                 |              |
| 30  | 86006560 | 70083   | 4   | SCR, 5/16-18 X 1 HHCS SS NP       |                 |              |
| 31  | 86276870 | 70748   | 1   | SCR, 3/8-16 X 2.50 CARRIAGE SS    |                 |              |
| 32  | 86276710 | 70717   | 6   | SCR, 5/16-18 X 2.0 CARRIAGE SS    |                 |              |
| 33  | 86270900 | 57037   | 2   | NUT, 1/4-20 WING SS               | *(12)           |              |
| 34  | 86276610 | 70697   | 2   | SCR, 1/4-20 X 1.25 PPHMS SS       | **              | WAS<br>70049 |

\* SEE SERIAL NUMBER PAGE

\*\* CALL MANUFACTURER FOR SERIAL NUMBER

# BRUSH DECK MOTOR & NOZZLE

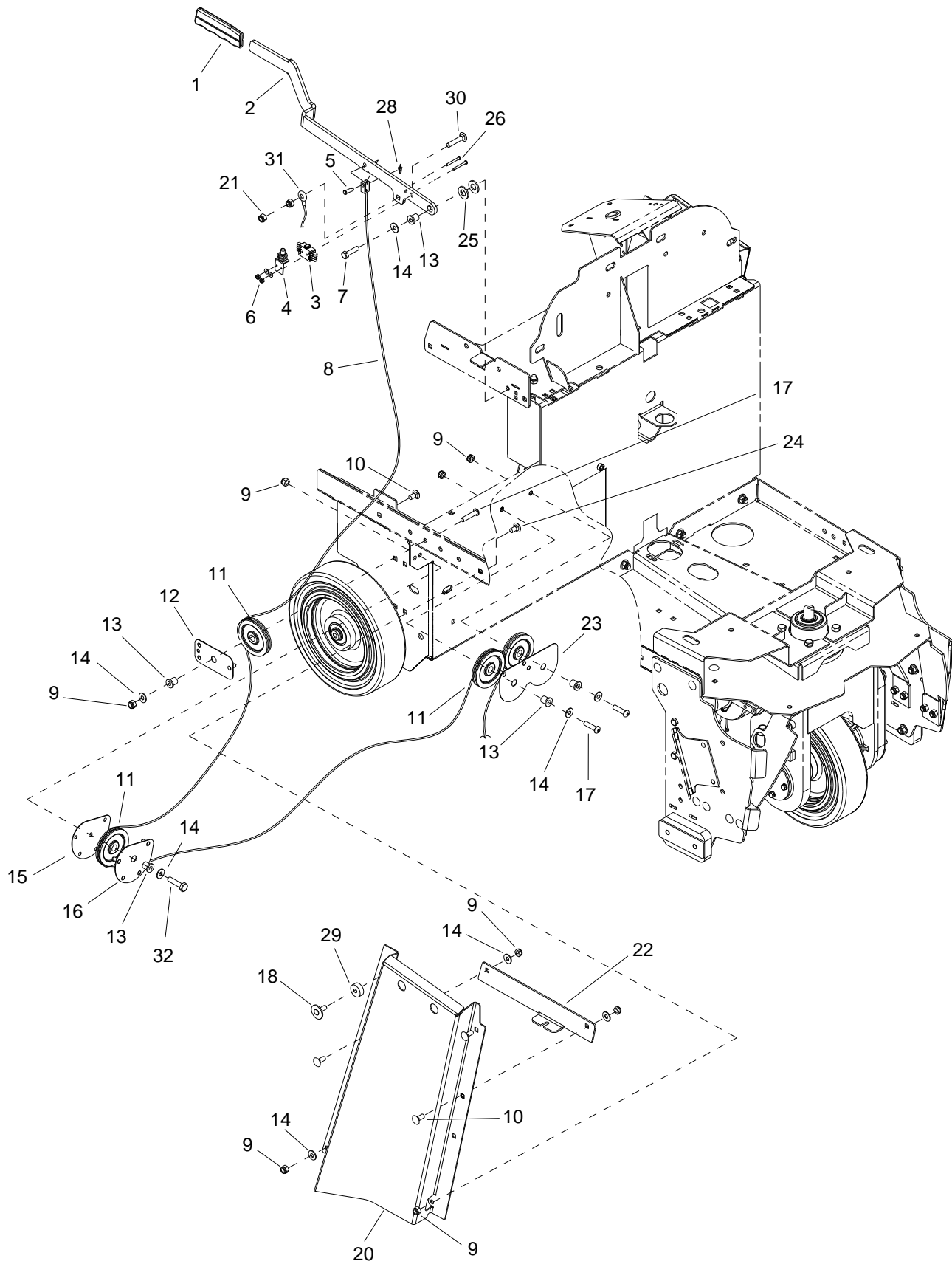


## BRUSH DECK MOTOR & NOZZLE

| REF | PART NO. | PRV NO. | QTY | DESCRIPTION                     | SERIAL NO. FROM | NOTES:    |
|-----|----------|---------|-----|---------------------------------|-----------------|-----------|
| 1   | 86222130 | 53275   | 1   | MOTOR, 36VDC, 20A, .5HP         | *(4)            | WAS 53638 |
| 2   | 86234610 | 22112   | 2   | COUPLER, .501 ID, 1/2 JAW "D"   | *(4)            | WAS 22108 |
| 3   | 86234600 | 22109   | 1   | COUPLER, SPIDER, SHL070, HYTREL |                 |           |
| 4   | 86088100 | 730403  | 1   | STRAP, BRUSH MOTOR              |                 |           |
| 5   | 86078040 | 58006   | 1   | NOZZLE, VACUUM                  | *(5)            |           |
| 6   | 86276780 | 70728   | 2   | SCR, 5/16-18 X 3/4 HHCS SS      |                 |           |
| 7   | 86010630 | 87013   | 3   | WASHER, 1/4 ID X 5/8 OD SS      |                 |           |
| 8   | 86010780 | 87162   | 3   | WASHER, 1/4 SPLIT LOCK PLTD     |                 |           |
| 9   | 86273780 | 70015   | 3   | SCR, 1/4-20 X 3/4 HHCS SS NP    |                 |           |
| 10  | 86010670 | 87029   | 2   | WASHER, 5/16 FLAT SS            |                 |           |
| 11  | 86279130 | 87083   | 2   | WASHER, 5/16 SPLIT LOCK PLTD    |                 |           |
| 12  | 86264940 | 27051   | 2   | CABLE TIE, 11.38" UL/CSA        |                 |           |
| 13  | 86277930 | 70119   | 2   | SET SCR, 1/4-20 X 3/8 KCP DL    |                 |           |
| 14  | 86271720 | 57246   | 4   | NUT, 1/4-20 WING NYLOCK ZINC    | *(5)            |           |
| 15  | 86238060 | 36247   | 1   | GASKET, 3.50 W X 25.75L X .19T  | *(5)            |           |
| 16  | OPEN     |         |     |                                 |                 |           |

\* SEE SERIAL NUMBER PAGE

# BRUSH DECK LIFT



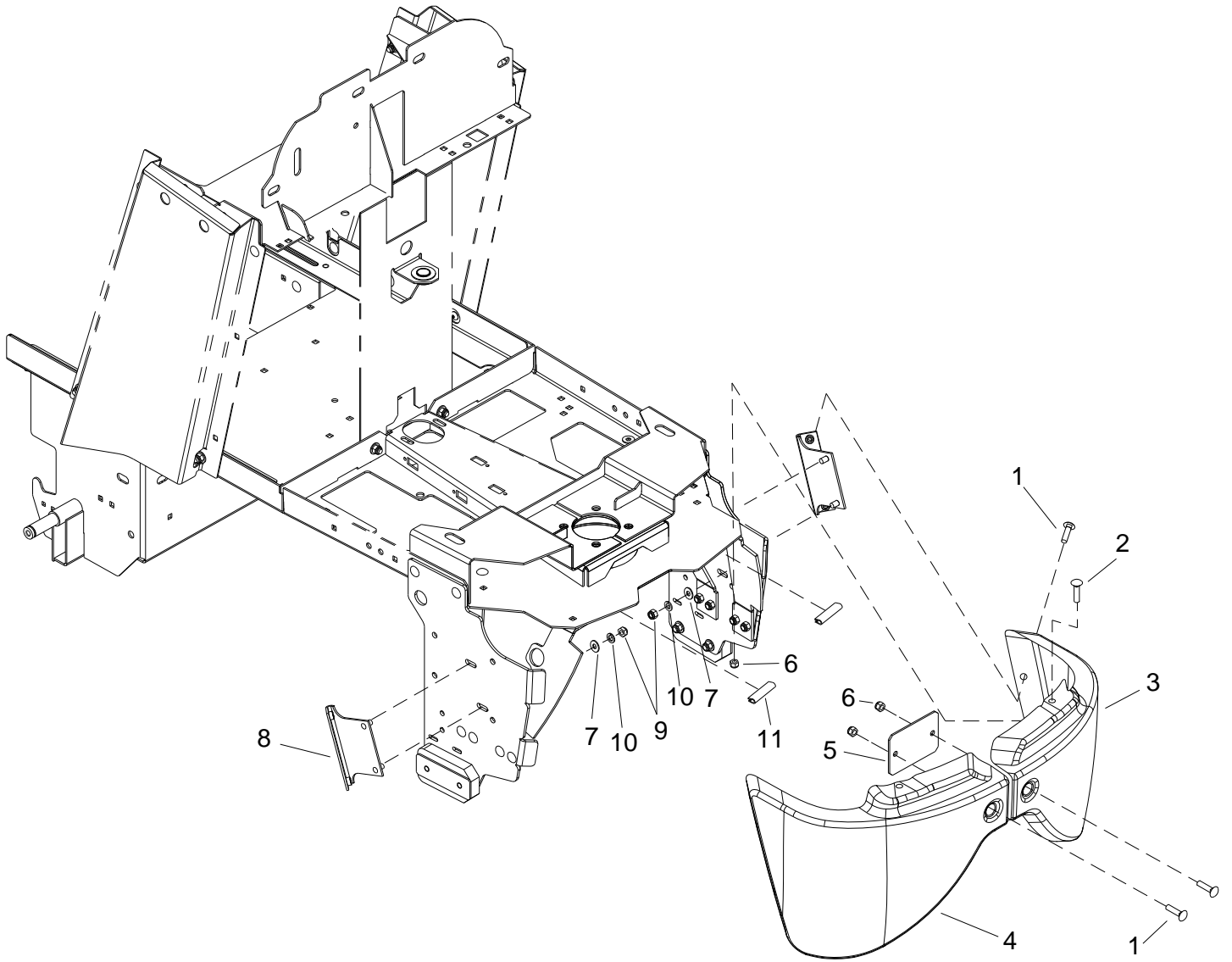


**BRUSH DECK LIFT**

| REF | PART NO. | PRV NO. | QTY | DESCRIPTION                      | SERIAL NO. FROM | NOTES:      |
|-----|----------|---------|-----|----------------------------------|-----------------|-------------|
| 1   | 86238350 | 36214   | 1   | GRIP, 3/16 X 1.00 BLUE           |                 |             |
| 2   | 86076610 | 38319   | 1   | HANDLE, SQUEEGEE LIFT            |                 |             |
| 3   | 86257170 | 72200   | 1   | SWITCH, DPDT, SNAP ACTION        |                 |             |
| 4   | 86250240 | 72201   | 1   | PLUNGER, SWITCH, OVERTRAVEL      |                 |             |
| 5   | 86009560 | 82053   | 1   | PIN, CLEVIS 1/4 X .63 PLTD       |                 |             |
| 6   | 86271660 | 57233   | 2   | NUT, 4-40 HEX NYLOCK             |                 |             |
| 7   | 86007020 | 70673   | 1   | SCR, 5/16-18 X 1.25 HHCS SS NP   |                 |             |
| 8   | 86231570 | 270105  | 1   | CABLE, SQG LIFT SCRUBPLUS        |                 |             |
| 9   | 86270830 | 57023   | 8   | NUT, 5/16-18 HEX NYLOCK SS       |                 |             |
| 10  | 86276070 | 70593   | 2   | SCR, 5/16-18 X 3/4 CARRIAGE SS   |                 | DELUXE ONLY |
| 11  | 86223370 | 66464   | 4   | PULLEY, PLASTIC 3.0 DIA.         |                 |             |
| 12  | 86073600 | 66833   | 1   | BRKT, PULLEY RETAINER, SINGLE    |                 |             |
| 13  | 86231150 | 09151   | 5   | BUSHING FLANGE, .314 ID X.502 OD |                 |             |
| 14  | 86010670 | 87029   | 8   | WASHER, 5/16 FLAT SS             |                 |             |
| 15  | 86083500 | 66832   | 1   | PLATE, PULLEY RETAINER, CORNER   |                 |             |
| 16  | 86083490 | 66831   | 1   | PLATE, PULLEY MOUNT, CORNER      |                 |             |
| 17  | 86276760 | 70724   | 4   | SCR, 5/16-18 X 1.25 BSHCS SS     |                 |             |
| 18  | 86066130 | 89501   | 1   | ASM, HANDLE RETAINER             | *(6)            |             |
| 19  | OPEN     | -       | -   | -                                | -               | -           |
| 20  | 86091820 | 140807  | 1   | BRKT, SIDE CHANNEL R             |                 |             |
| 21  | 86271840 | 57285   | 2   | NUT, 5/16-18 HEX NYLOCK THIN SS  |                 | DELUXE ONLY |
| 22  | 86068400 | 14623   | 1   | BRKT, CABLE MOUNT                |                 | DELUXE ONLY |
| 23  | 86083440 | 66824   | 1   | PLATE, PULLEY MOUNTING, CENTER   |                 |             |
| 24  | 86277460 | 70847   | 1   | SCR, 5/16-18 X 5/8 BSHCS SS      |                 |             |
| 25  | 86259420 | 87232   | 2   | WASHER, THRUST .51 ID X 1 OD BRO |                 |             |
| 26  | 86276010 | 70580   | 2   | SCR, 4-40 X 1.0 PPHMS            |                 |             |
| 27  | 86279450 | 87161   | 2   | WASHER, #6 FLAT SAE PLTD         |                 |             |
| 28  | 86008650 | 80604   | 1   | COTTER, 1/4" RING                |                 |             |
| 29  | 86254280 | 730331  | 1   | SPACER, 1.00 OD X .32 ID X .375  |                 |             |
| 30  | 86277130 | 70795   | 1   | SCR, 5/16-18 X 1.00 CARRIAGE SS  |                 | DELUXE ONLY |
| 31  | 86231760 | 27725   | 1   | CABLE ASM, SQUEEGEE TC           |                 | DELUXE ONLY |

\* SEE SERIAL NUMBER PAGE

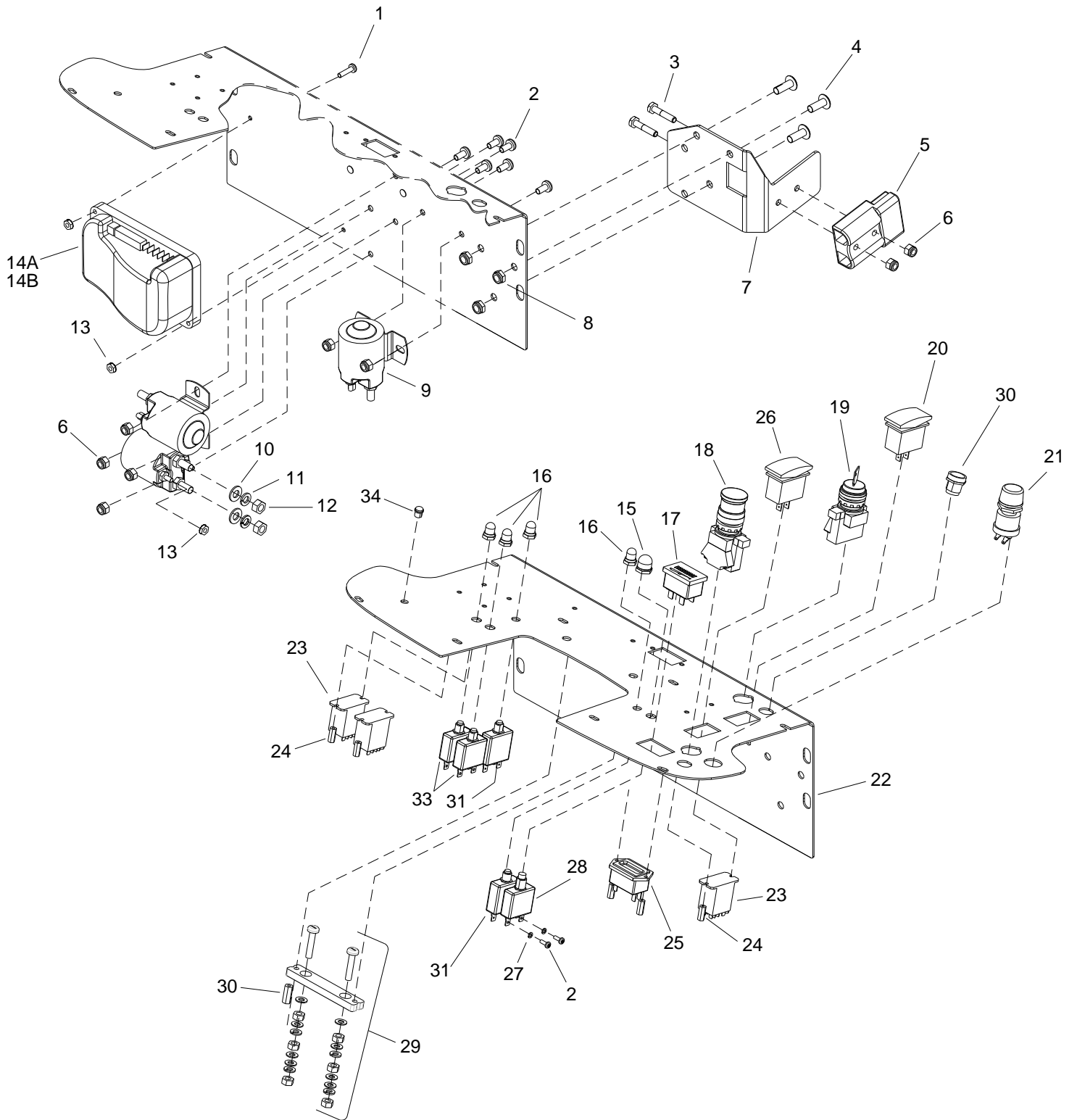
# BUMPER



**BUMPER**

| REF | PART NO. | PRV NO. | QTY | DESCRIPTION                  | SERIAL NO.<br>FROM | NOTES: |
|-----|----------|---------|-----|------------------------------|--------------------|--------|
| 1   | 86276890 | 70752   | 6   | SCR, 5/16-18X3/4 PTHMS SS    |                    |        |
| 2   | 86007070 | 70849   | 2   | SCR, 5/16-18 X 1.00 PPHMS SS |                    |        |
| 3   | 86063230 | 140813  | 1   | BUMPER, LEFT                 |                    |        |
| 4   | 86063240 | 140814  | 1   | BUMPER, RIGHT                |                    |        |
| 5   | 86071020 | 140783  | 1   | BRKT, FRONT BUMPER           |                    |        |
| 6   | 86270830 | 57023   | 4   | NUT, 5/16-18 HEX NYLOCK SS   |                    |        |
| 7   | 86010670 | 87029   | 4   | WASHER, 5/16 FLAT SS         |                    |        |
| 8   | 86070730 | 140729  | 2   | BRKT, BUMPER MOUNT, SIDE     |                    |        |
| 9   | 86197040 | 57264   | 4   | NUT, 5/16-18 HEX ACORN PLTD  |                    |        |
| 10  | 86279130 | 87083   | 4   | WASHER, 5/16 SPLIT LOCK PLTD |                    |        |
| 11  | 86251750 | 67602   | 2   | RISER, BUMPER                |                    |        |

# CONTROL PANEL



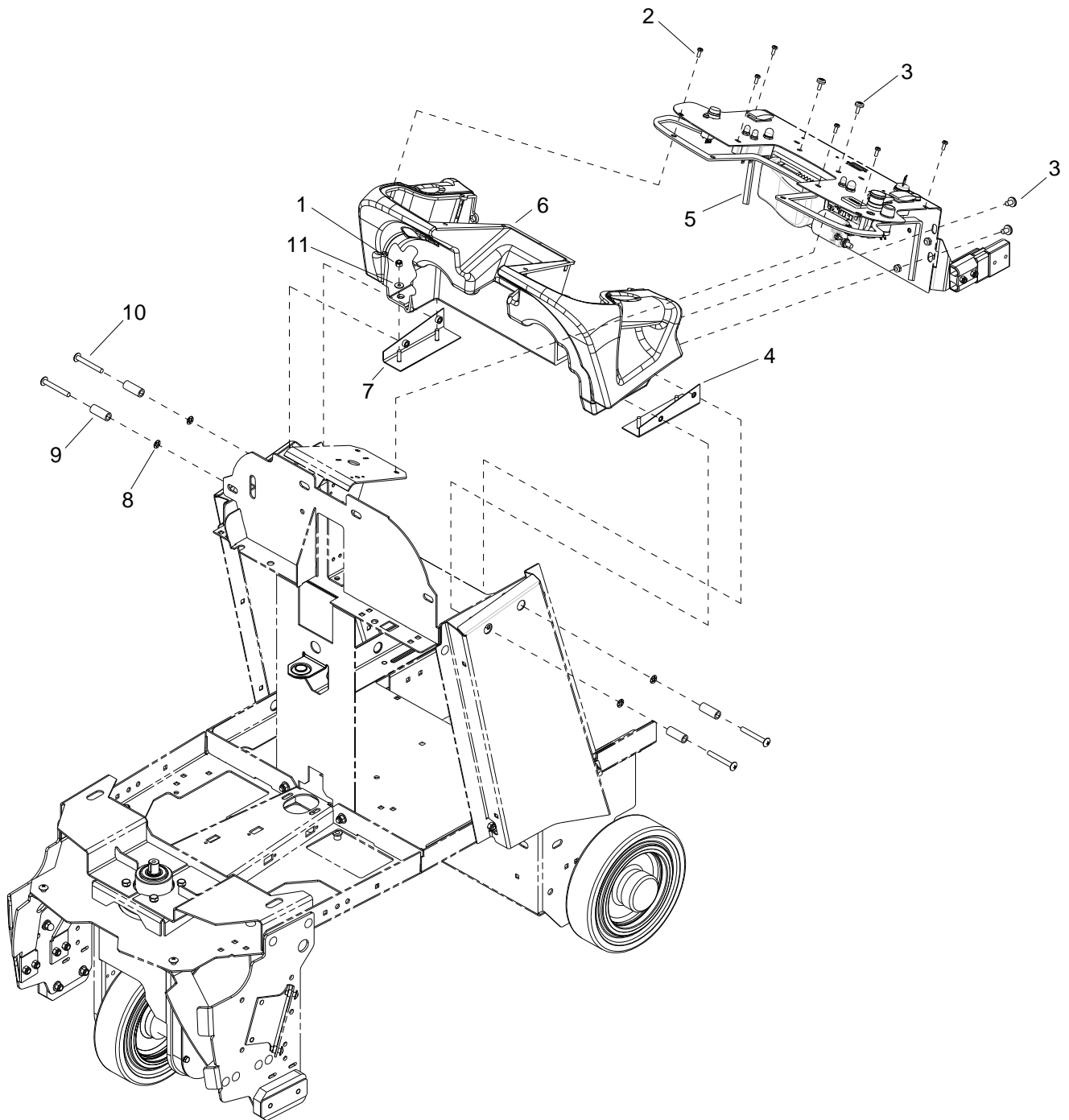
## CONTROL PANEL

| REF | PART NO. | PRV NO. | QTY | DESCRIPTION                     | SERIAL NO.<br>FROM | NOTES:                  |
|-----|----------|---------|-----|---------------------------------|--------------------|-------------------------|
| 1   | 86273980 | 70066   | 2   | SCR, 10-32 X 3/4 PPHMS SS       |                    |                         |
| 2   | 86223740 | 70872   | 6   | SCR, 1/4-20 X .59 PPHMS SSC     |                    |                         |
| 3   | 86273820 | 70019   | 2   | SCR, 1/4-20 X 1.25 HHCS SS      |                    |                         |
| 4   | 86277480 | 70850   | 3   | SCR, 5/16-18 X 1/2 PTHMS SS     |                    |                         |
| 5   | 86008760 | 80682   | 1   | CONN, 175 DCA GRY W/O TERMS     |                    |                         |
| 6   | 86005810 | 57245   | 8   | NUT, 1/4-20 HEX NYLOCK SS       |                    |                         |
| 7   | 86070720 | 140728  | 1   | BRKT, BATT CONN BASIC           |                    |                         |
| 8   | 86271840 | 57285   | 3   | NUT, 5/16-18 HEX NYLOCK THIN SS |                    |                         |
| 9   | 86006370 | 67315   | 3   | RELAY, 36VDC 100 AMP HVY DUTY   |                    |                         |
| 10  | 86010670 | 87029   | 6   | WASHER, 5/16 FLAT SS            |                    |                         |
| 11  | 86279130 | 87083   | 6   | WASHER, 5/16 SPLIT LOCK PLTD    |                    |                         |
| 12  | 86271120 | 57125   | 6   | NUT, 5/16-18 BRASS              |                    |                         |
| 13  | 86005700 | 57104   | 5   | NUT, 10-32 W/STAR WASHER PLTD   |                    |                         |
| 14A | 86002760 | 270092  | 1   | CONTROLLER, CHAIN DRIVE BASIC   |                    | CHAIN<br>DRIVE ONLY     |
| 14B | 86027740 | 27911   | 1   | CONTROLLER, GEAR BASIC          | **                 | GEAR<br>DRIVE ONLY      |
| 15  | 86008900 | 80845   | 1   | BOOT, SEAL-PUSH BUTTON 7/16-28  |                    |                         |
| 16  | 86002010 | 14942   | 4   | BOOT, 3/8 CIRCUIT BREAKER       |                    | BASIC (3)<br>DELUXE (4) |
| 17  | 86005560 | 54199   | 1   | METER, 36V LED BATTERY          |                    |                         |
| 18  | 86007180 | 72160   | 1   | SWITCH, EMERGENCY STOP          |                    |                         |
| 19  | 86007190 | 72161   | 1   | SWITCH KEY DPST                 |                    |                         |
| 20  | 86007130 | 72128   | 1   | SWITCH, DPDT 2-POSITION ROCKER  |                    |                         |
| 21  | 86257280 | 81371   | 1   | SWITCH, PUSH BUTTON             |                    |                         |
| 22  | 86078180 | 61481   | 1   | PANEL, VACUUM                   |                    |                         |
| 23  | 86251410 | 67506   | 3   | RELAY, 15A 36V MINI             |                    |                         |
| 24  | 86255900 | 73538   | 10  | STANDOFF, 6-32 X 5/8 HEX NYL    |                    |                         |
| 25  | 86005530 | 54154   | 1   | METER, 12-48 VDC LED HOUR       |                    |                         |
| 26  | 86257110 | 72189   | 1   | SWITCH, 4P3T FIXED POS ROCKER   |                    |                         |
| 27  | 86279300 | 87134   | 2   | WASHER, #6 LOCK                 |                    |                         |
| 28  | 86001910 | 14606   | 1   | BREAKER, 30A 50VDC CIRCUIT      |                    |                         |
| 29  | 86229770 | 140805  | 1   | BLOCK, SHUNT MOUNT              |                    |                         |
| 30  | 86257140 | 72196   | 1   | SWITCH ASM, SEALED PB RND GRN   |                    |                         |
| 31  | 86002000 | 14717   | 2   | BREAKER, 3 AMP 1681-090-300     |                    | BASIC (1)<br>DELUXE (2) |
| 32  | 86250210 | 66873   | 1   | PLUG, DOME .375                 |                    | BASIC (NOT<br>SHOWN)    |
| 33  | 86230080 | 141044  | 2   | BREAKER, 22A 250VAC, 50VDC      | *(4)               |                         |
| 34  | 86246630 | 82996   | 1   | LIGHT, INDICATOR, RED           |                    |                         |

\* SEE SERIAL NUMBER PAGE

\*\* CALL MANUFACTURER FOR SERIAL NUMBER

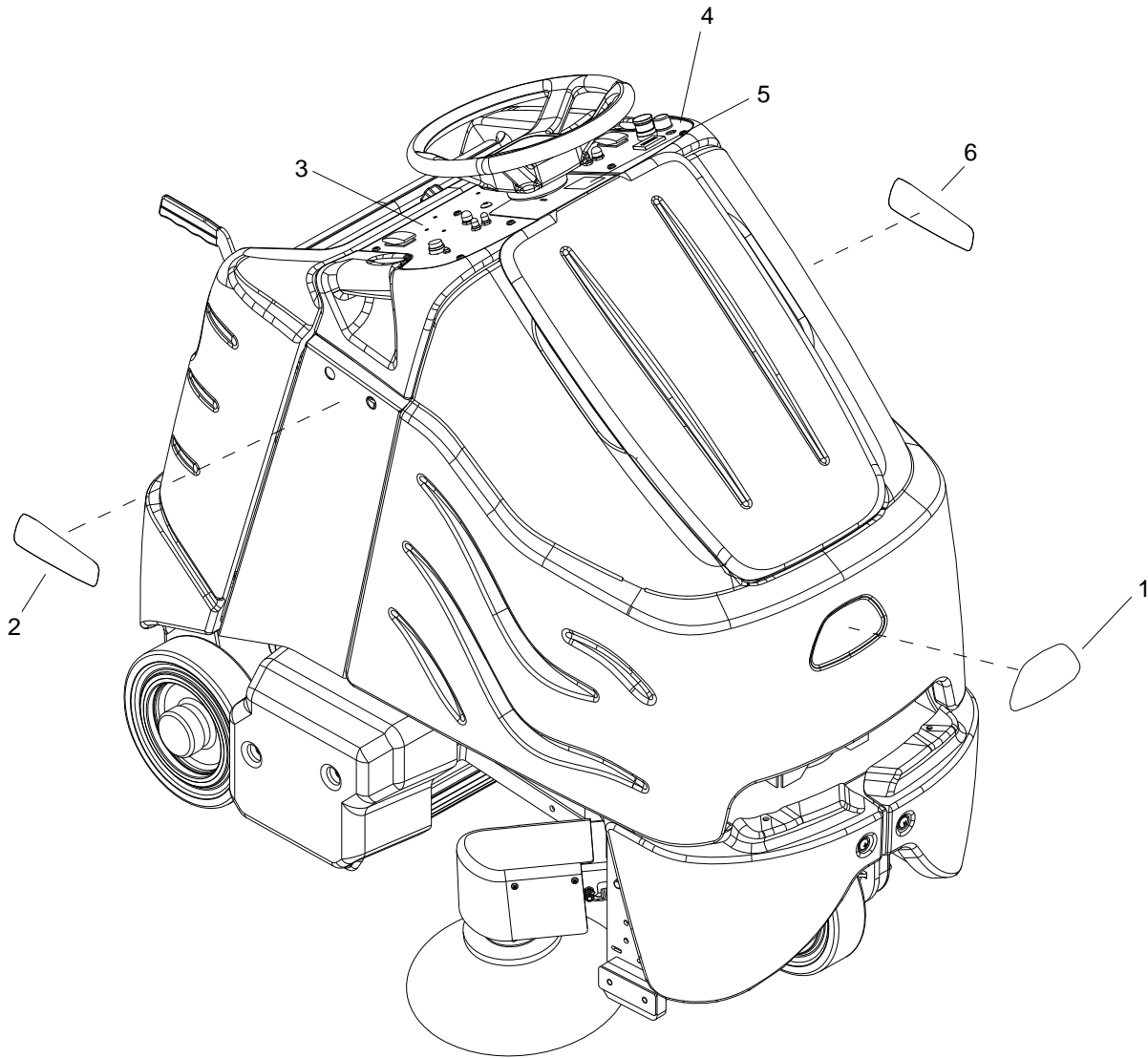
# CONTROL PANEL HOUSING



## CONTROL PANEL HOUSING

| REF | PART NO. | PRV NO. | QTY | DESCRIPTION                     | SERIAL NO.<br>FROM | NOTES: |
|-----|----------|---------|-----|---------------------------------|--------------------|--------|
| 1   | 86005810 | 57245   | 4   | NUT, 1/4-20 HEX NYLOCK SS       |                    |        |
| 2   | 86290540 | -       | 6   | SCR, 10-32 X 1/2 TORX SS BLK NP |                    |        |
| 3   | 86277480 | 70850   | 6   | SCR, 5/16-18 X1/2 PTHMS SS      |                    |        |
| 4   | 86070710 | 140726  | 1   | BRKT, LEFT CONSOLE MOUNT        |                    |        |
| 5   | 86237900 | 35278   | 3   | GASKET, .125T X .25W X 23L      |                    |        |
| 6   | 86062220 | 270117  | 1   | CONSOLE, BURNISHER              |                    |        |
| 7   | 86070700 | 140725  | 1   | BRKT, RIGHT CONSOLE MOUNT       |                    |        |
| 8   | 86279750 | 87252   | 4   | WASHER, RET, PUSHNUT, 5/16 BOLT |                    |        |
| 9   | 86089650 | 78524   | 4   | TUBE, 5/8 OD X .357 ID X 1.57   |                    |        |
| 10  | 86277420 | 70841   | 4   | SCR, 5/16-18 X 2.5 PTHMS SS     |                    |        |
| 11  | 86010630 | 87013   | 4   | WASHER, 1/4 ID X 5/8 OD SS      |                    |        |

# DECAL



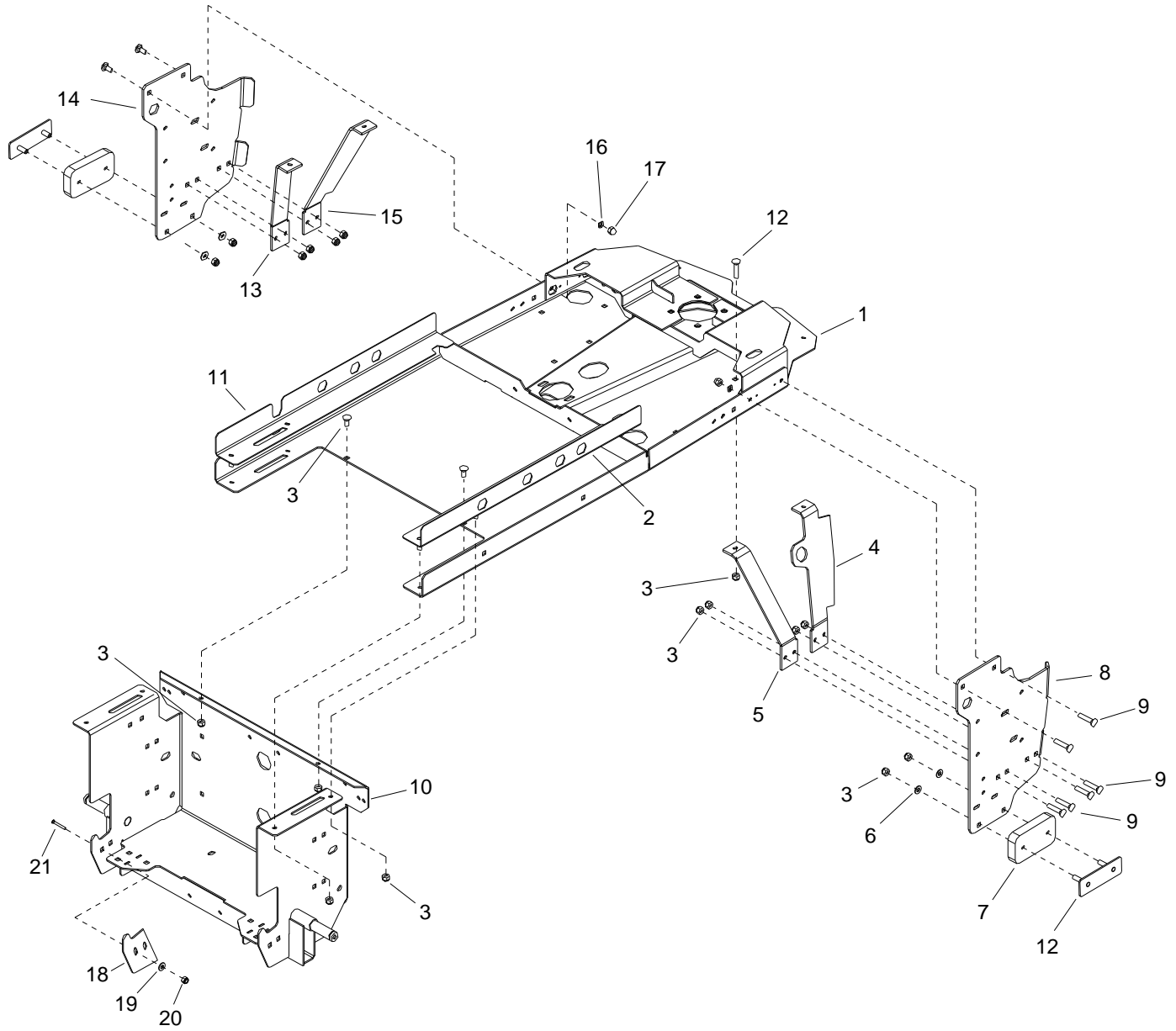


**DECAL**

| REF | PART NO. | PRV NO. | QTY | DESCRIPTION               | SERIAL NO.<br>FROM | NOTES:     |
|-----|----------|---------|-----|---------------------------|--------------------|------------|
| 1   | 86004970 | 50990   | 1   | LABEL, WINDSOR LOGO DOMED |                    |            |
| 2   | 86244800 | 501228  | 1   | LABEL, CHARIOT IVACUUM RT |                    | WAS 500884 |
| 3   | 86244360 | 501071  | 1   | LABEL, PANEL R VAC        |                    |            |
| 4   | 86244190 | 500882  | 1   | LABEL, PANEL BASIC LEFT   |                    |            |
| 5   | 86243990 | 500780  | 1   | LABEL, COVER PANEL        |                    |            |
| 6   | 86244810 | 501229  | 1   | LABEL, CHARIOT IVACUUM LT |                    | WAS 500885 |

**NOTE:** See "SAFETY LABEL LOCATION" page for safety label information.

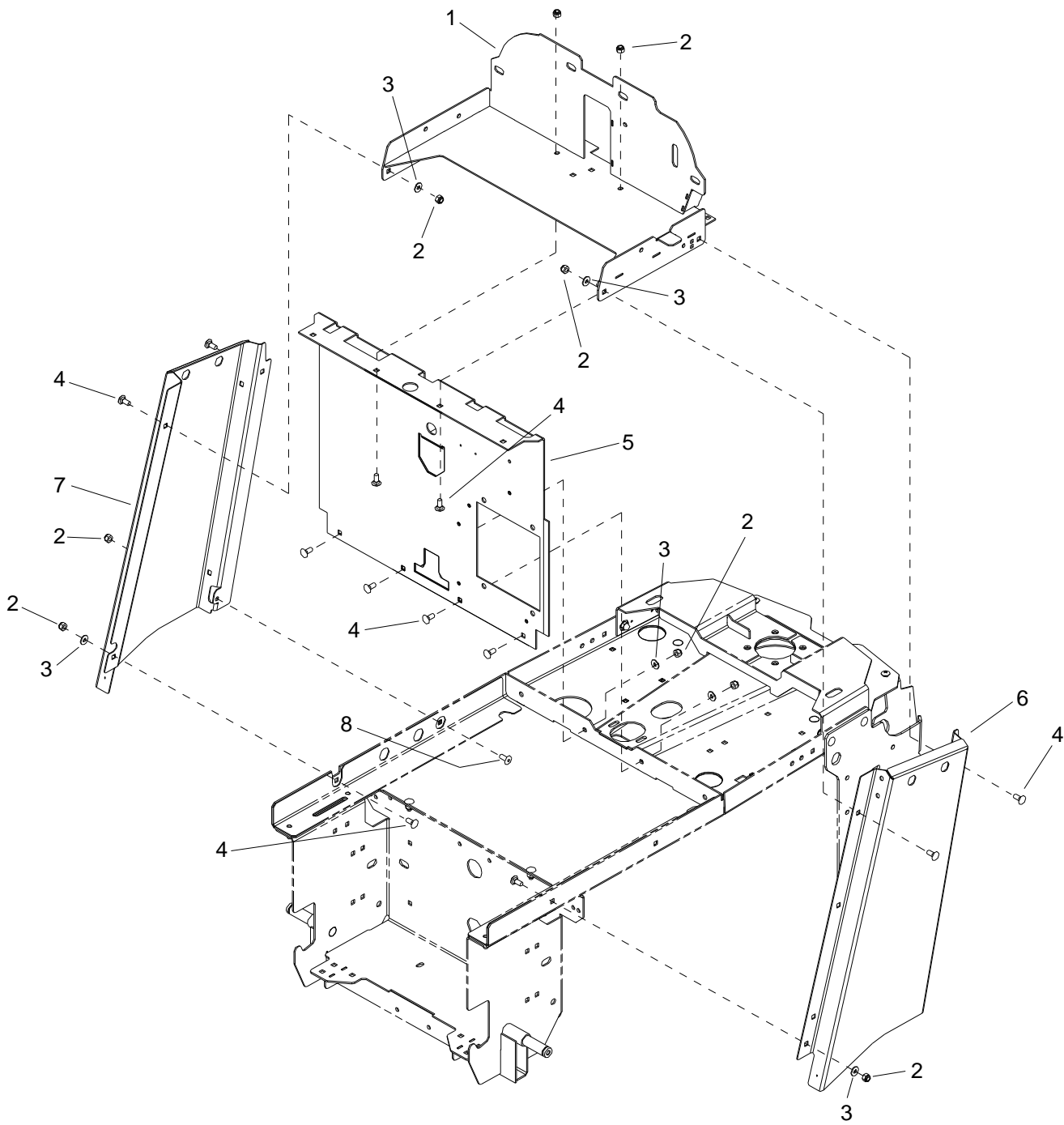
# FRAME-LOWER



**FRAME-LOWER**

| REF | PART NO. | PRV NO. | QTY | DESCRIPTION                    | SERIAL NO.<br>FROM | NOTES: |
|-----|----------|---------|-----|--------------------------------|--------------------|--------|
| 1   | 86092510 | 34440   | 1   | FRAME, MAIN ASM                |                    |        |
| 2   | 86088760 | 75458   | 1   | TRAY, SLIDE, LEFT              |                    |        |
| 3   | 86270830 | 57023   | 18  | NUT, 5/16-18 HEX NYLOCK SS     |                    |        |
| 4   | 86071430 | 140863  | 1   | BRKT, BRACE, RGT FRONT         |                    |        |
| 5   | 86071120 | 140811  | 1   | BRKT, TIP BRACE, RIGHT, REAR   |                    |        |
| 6   | 86010670 | 87029   | 4   | WASHER, 5/16 FLAT SS           |                    |        |
| 7   | 86064300 | 140790  | 2   | PAD, TIPPING BAR               |                    |        |
| 8   | 86070740 | 140730  | 1   | BRKT, LINKAGE, RIGHT           |                    |        |
| 9   | 86276070 | 70593   | 16  | SCR, 5/16-18 X 3/4 CARRIAGE SS |                    |        |
| 10  | 86091420 | 05251   | 1   | AXLE, REAR WELDMENT            |                    |        |
| 11  | 86088750 | 75457   | 1   | TRAY, SLIDE, RIGHT             |                    |        |
| 12  | 86079320 | 620101  | 2   | PLATE, PAD RETAINER            |                    |        |
| 13  | 86071130 | 140812  | 1   | BRKT, TIP BRACE, LEFT, REAR    |                    |        |
| 14  | 86070750 | 140731  | 1   | BRKT, LINKAGE, LEFT            |                    |        |
| 15  | 86070760 | 140733  | 1   | BRKT, BRACE, LEFT FRONT        |                    |        |
| 16  | 86279130 | 87083   | 4   | WASHER, 5/16 SPLIT LOCK PLTD   |                    |        |
| 17  | 86197040 | 57264   | 4   | NUT, 5/16-18 HEX ACORN PLTD    |                    |        |
| 18  | 86079290 | 620097  | 2   | PLATE, REAR COVER ADJ.         |                    |        |
| 19  | 86010630 | 87013   | 4   | WASHER, 1/4 ID X 5/8 OD SS     |                    |        |
| 20  | 86271870 | 57290   | 4   | NUT, 1/4-20 HEX NYLOCK THIN SS |                    |        |
| 21  | 86276950 | 70772   | 4   | SCR, 1/4-20 X 3/4 CARRIAGE SS  |                    |        |

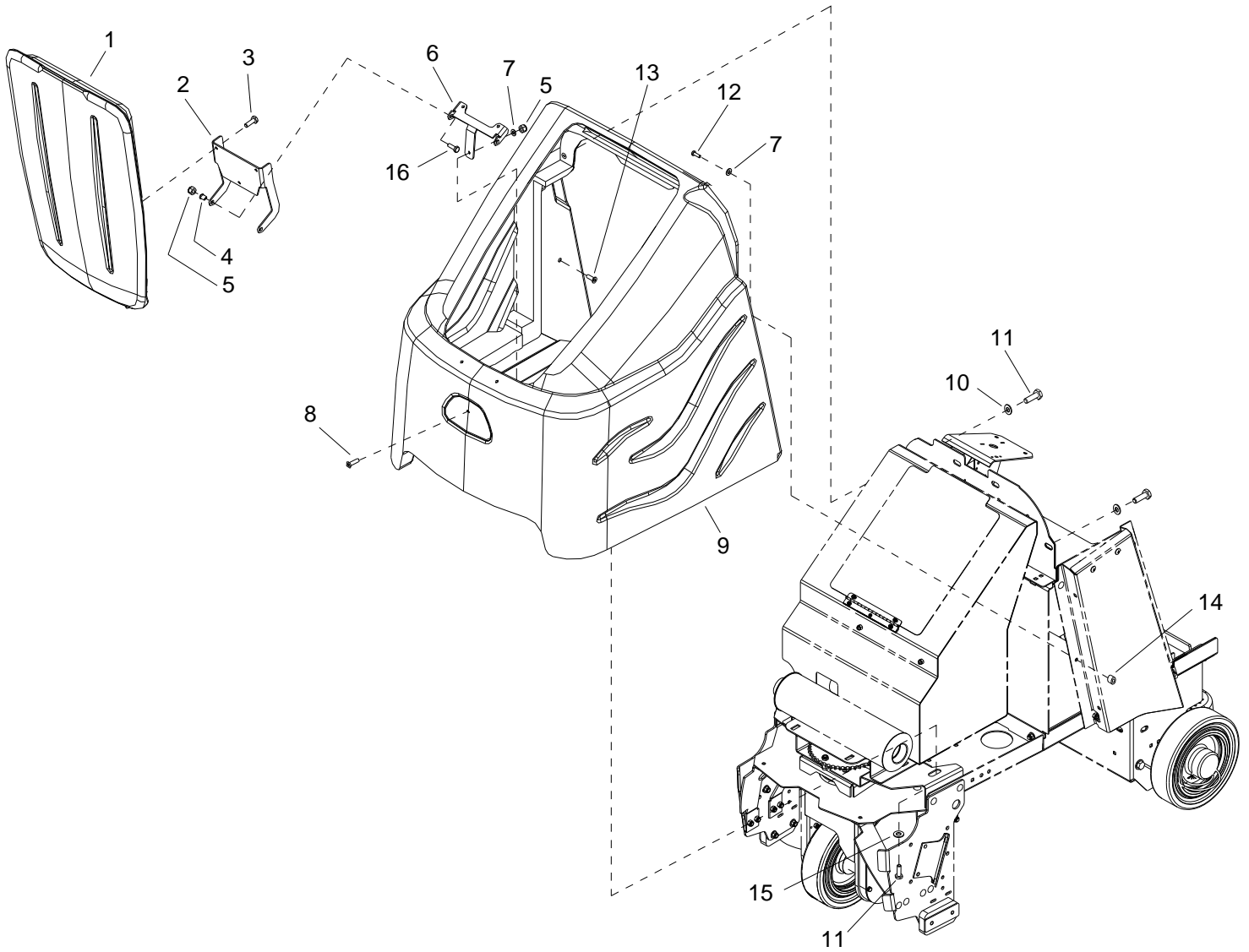
# FRAME-UPPER



**FRAME-UPPER**

| REF | PART NO. | PRV NO. | QTY | DESCRIPTION                  | SERIAL NO.<br>FROM | NOTES: |
|-----|----------|---------|-----|------------------------------|--------------------|--------|
| 1   | 86071360 | 140855  | 1   | BRKT, HORIZ ELECT, BURNISHER |                    |        |
| 2   | 86270830 | 57023   | 13  | NUT, 5/16-18 HEX NYLOCK SS   |                    |        |
| 3   | 86010670 | 87029   | 12  | WASHER, 5/16 FLAT SS         |                    |        |
| 4   | 86276070 | 70593   | 12  | SCR, 5/16 X 3/4 CARRIAGE SS  |                    |        |
| 5   | 86078620 | 14023   | 1   | BRKT, VERTICAL SUPPORT       |                    |        |
| 6   | 86091820 | 140807  | 1   | BRKT, SIDE CHANNEL R         |                    |        |
| 7   | 86073500 | 270090  | 1   | BRKT, SIDE CHANNEL L         |                    |        |
| 8   | 86277460 | 70847   | 1   | SCR, 5/16-18 X 5/8 BSHCS SS  |                    |        |

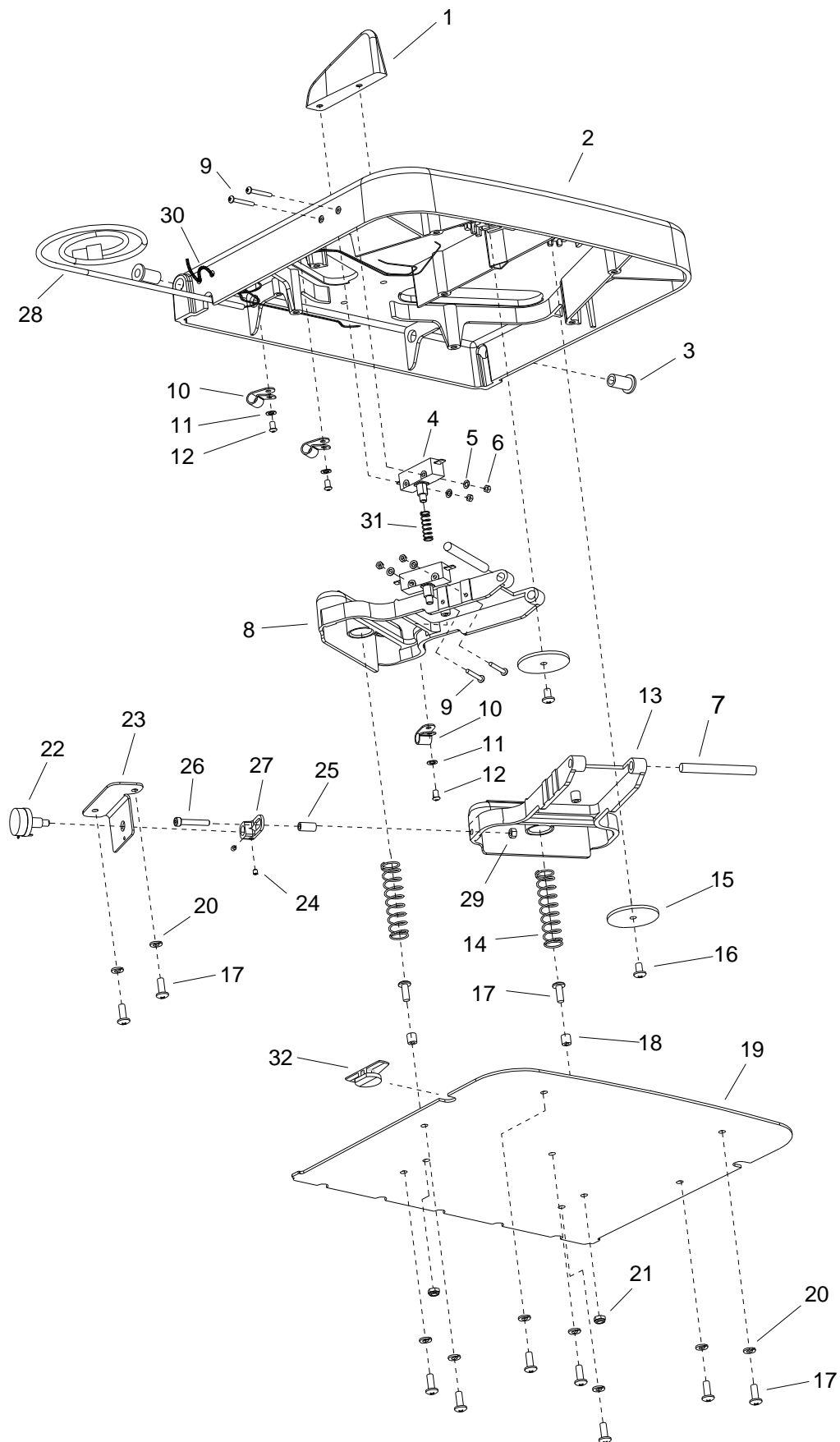
# HOOD



**HOOD**

| REF | PART NO. | PRV NO. | QTY | DESCRIPTION                           | SERIAL NO.<br>FROM | NOTES: |
|-----|----------|---------|-----|---------------------------------------|--------------------|--------|
| 1   | 86293630 | -       | 1   | LID, VACUUM                           |                    |        |
| 2   | 86076720 | 41534   | 1   | HINGE, LID                            |                    |        |
| 3   | 86273830 | 70020   | 3   | SCR, 1/4-20 X 1/2 HHCS SS NP          |                    |        |
| 4   | 86226370 | 14493   | 2   | BUSH, BRZ FLG .25 X .38 X .38         |                    |        |
| 5   | 86005810 | 57245   | 2   | NUT, 1/4-20 HEX NYLOCK SS             |                    |        |
| 6   | 86076710 | 41533   | 1   | HINGE, TANK                           |                    |        |
| 7   | 86010630 | 87013   | 5   | WASHER, 1/4 ID X 5/8 OD SS            |                    |        |
| 8   | 86006840 | 70390   | 3   | SCR, 1/4-20 X 1 FHCS PLTD             |                    |        |
| 9   | 86032920 | 75482   | 1   | TANK, VACUUM BODY COVER               |                    |        |
| 10  | 86279630 | 87212   | 4   | WASHER, .344 ID X 1.13 OD X .09 T PLT |                    |        |
| 11  | 86006760 | 70305   | 6   | SCR, 5/16-18 X 3/4 HHCS GR5 PLTDL     |                    |        |
| 12  | 86273820 | 70019   | 2   | SCR, 1/4-20 X 1.25 HHCS SS            |                    |        |
| 13  | 86250250 | 66286   | 2   | PLUSNUT, 1/4-20 FLATHEAD              |                    |        |
| 14  | 86254280 | 730331  | 2   | SPACER, 1.00 OD X .32 ID X .375       |                    |        |
| 15  | 86279630 | 87212   | 2   | WASHER, .344 ID X 1.13 OD X .09 T PLT |                    |        |
| 16  | 86273780 | 70015   | 2   | SCR, 1/4-20 X 3/4 HHCS SS NP          |                    |        |

# PEDAL PLATFORM





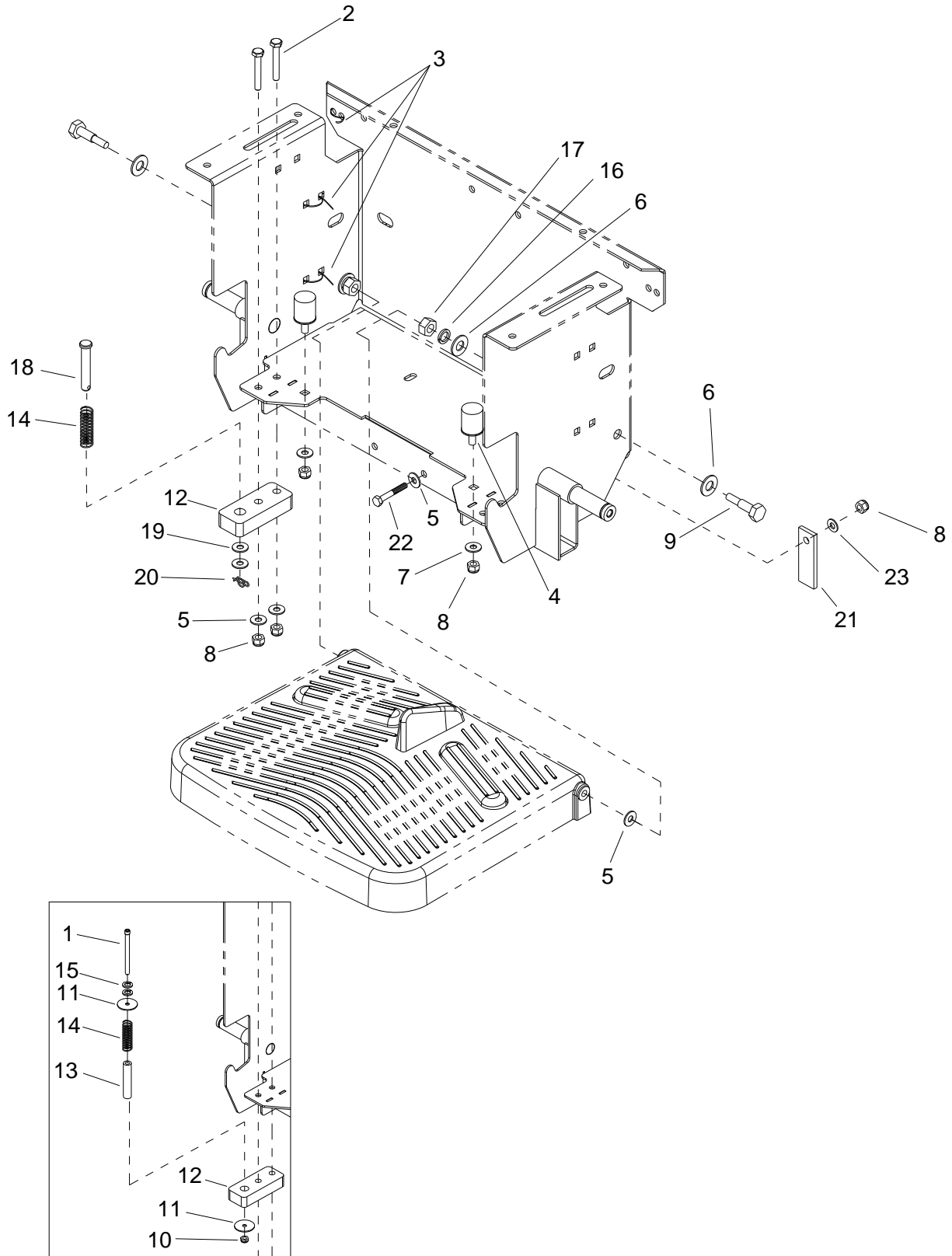
## PEDAL PLATFORM

| REF | PART NO. | PRV NO. | QTY | DESCRIPTION                    | SERIAL NO. FROM | NOTES: |
|-----|----------|---------|-----|--------------------------------|-----------------|--------|
| 1   | 86217650 | 34432   | 1   | DIVIDER                        |                 |        |
| 2   | 86222700 | 34429   | 1   | PLATFORM                       |                 |        |
| 3   | 86216380 | 140713  | 2   | BUSHING, 8MM X 10LG CLY        |                 |        |
| 4   | 86007110 | 72123   | 2   | SWITCH, 25A SPST 125-250V SNAP |                 |        |
| 5   | 86279720 | 87248   | 4   | WASHER, M4 INT STAR            |                 |        |
| 6   | 86272040 | 57503   | 4   | NUT, M3.5 X 2.8 HEX            |                 |        |
| 7   | 86223580 | 67502   | 2   | ROD, PIVOT, 8.5MM X 77         |                 |        |
| 8   | 86222520 | 34431   | 1   | PEDAL, BRAKE                   |                 |        |
| 9   | 86277390 | 70836   | 4   | SCR, M3.5 X 38 PHMS            |                 |        |
| 10  | 86233170 | 20054   | 3   | CLAMP, 3/8 NYLON UL/CSA        |                 |        |
| 11  | 86279730 | 87249   | 4   | WASHER, M5 INT STAR            |                 |        |
| 12  | 86277380 | 70835   | 4   | SCR, M4.8 X 16 PHTF            |                 |        |
| 13  | 86222510 | 34430   | 1   | PEDAL, THROTTLE                |                 |        |
| 14  | 86254970 | 730304  | 2   | SPRING, COMP 18MM OD X 83 X 2  |                 |        |
| 15  | 86222780 | 620047  | 2   | PLATE, PIVOT                   |                 |        |
| 16  | 86277360 | 70833   | 2   | SCR, M6 X 10 PH                |                 |        |
| 17  | 86274340 | 70179   | 11  | SCR, M6 X 16 PH                |                 |        |
| 18  | 86224360 | 730325  | 2   | SPACER 12.7MM ID X 2.78W X 6L  |                 |        |
| 19  | 86222810 | 620050  | 1   | PLATE, COVER                   |                 |        |
| 20  | 86279140 | 87085   | 9   | WASHER, M6 SPLIT LOCK DIN127B  |                 |        |
| 21  | 86288720 | 57277   | 2   | NUT, M6 NYLOCK PLATED          |                 |        |
| 22  | 86250280 | 66135   | 1   | POTENTIOMETER, 5K OHMS         |                 |        |
| 23  | 86222790 | 620048  | 1   | PLATE, THROTTLE                |                 |        |
| 24  | 86278060 | 70759   | 2   | SET SCR, M4 X 4MM NP           |                 |        |
| 25  | 86224350 | 730305  | 1   | SPACER, 8MM 16L                |                 |        |
| 26  | 86277370 | 70834   | 1   | SCR, M5 X 30 SHCS              |                 |        |
| 27  | 86221850 | 34433   | 1   | LINK, THROTTLE                 |                 |        |
| 28  | 86218810 | 23717   | 1   | HARNESS, TWISTER PEDAL         |                 |        |
| 29  | 86136310 | 57086   | 1   | NUT, M5 HEX                    |                 |        |
| 30  | 86264920 | 27049   | 1   | CABLE TIE, 7" UL/CSA           |                 |        |
| 31  | 86224750 | 73993   | 1   | SPRING, COMP, .480D X .91      | *(7)            |        |
| 32  | 86223260 | 66085   | 1   | PLUNGER, PLATFORM SWITCH       | *(7)            |        |

**NOTE:** Complete platform assembly is available, Part No. 86028310

\* SEE SERIAL NUMBER PAGE

# PEDAL PLATFORM

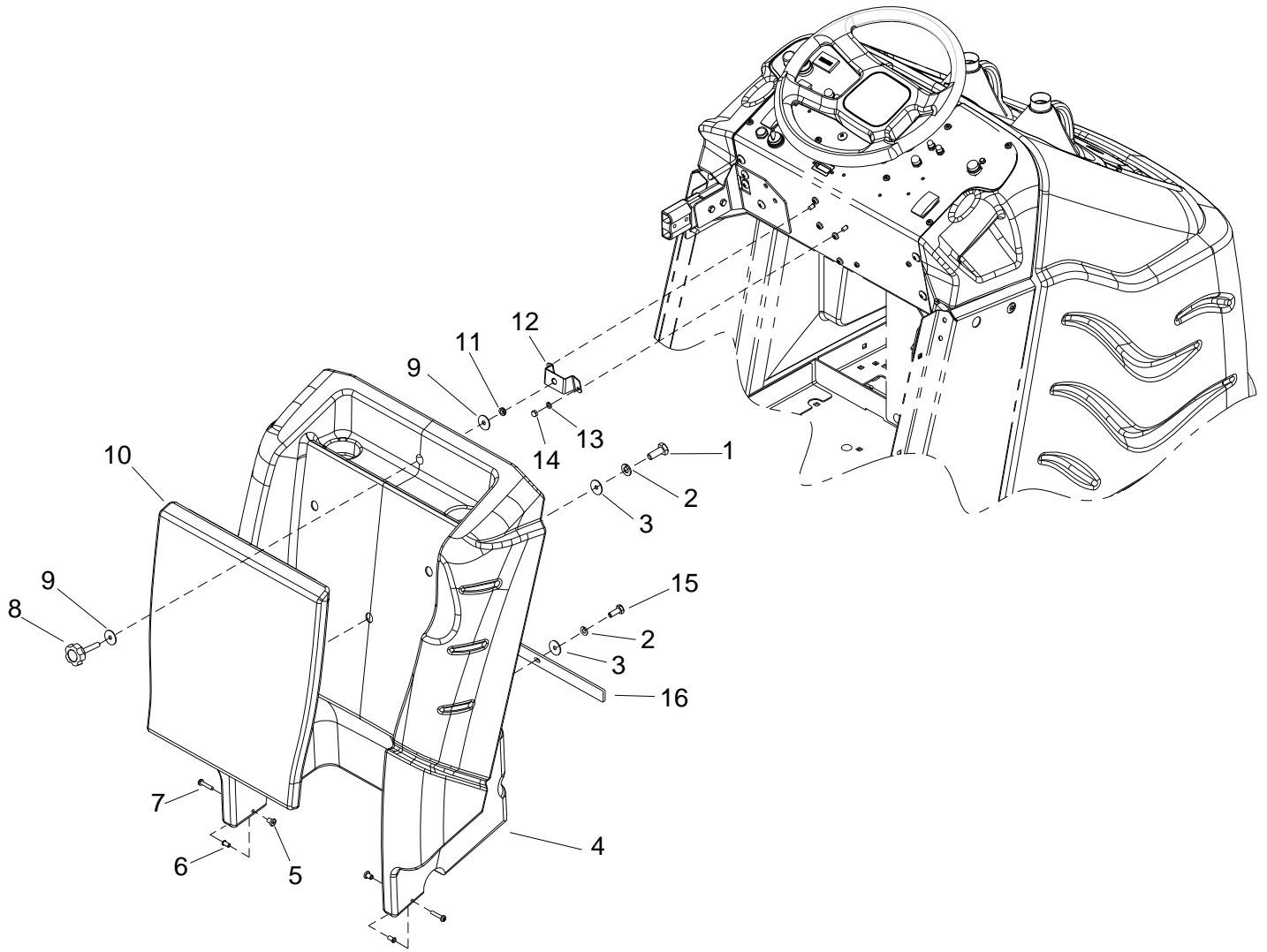


## PEDAL PLATFORM

| REF | PART NO. | PRV NO. | QTY | DESCRIPTION                         | SERIAL NO.<br>FROM | NOTES: |
|-----|----------|---------|-----|-------------------------------------|--------------------|--------|
| 1   | 86277430 | 70843   | 1   | SCR, 1/4-20 X 3.00 SHCS             |                    |        |
| 2   | 86274690 | 70258   | 2   | SCR, 5/16-18 X 1.5 HHCS GR5PLT      |                    |        |
| 3   | 86264920 | 27049   | 3   | CABLE TIE, 7" UL/CSA                |                    |        |
| 4   | 86231070 | 730328  | 2   | BUMPER, 1 X 1.375 RUBBER            |                    |        |
| 5   | 86010670 | 87029   | 5   | WASHER, 5/16 FLAT SS                |                    |        |
| 6   | 86259430 | 87485   | 4   | M12 FLAT WASHER                     |                    |        |
| 7   | 86010770 | 87143   | 2   | WASHER, 7/16ID X1D.08 FLT SS        |                    |        |
| 8   | 86270830 | 57023   | 5   | NUT, 5/16-18 HEX NYLOCK SS          |                    |        |
| 9   | 86256470 | 70852   | 2   | STUB AXLE, M12-1.75 X 45MM          |                    |        |
| 10  | 86005810 | 57245   | 1   | NUT, 1/4-20 HEX NYLOCK SS           |                    |        |
| 11  | 86010810 | 87191   | 2   | WASHER, 1/4" IDX1.0OD FLAT SS       |                    |        |
| 12  | 86064480 | 629993  | 1   | PLATE, SWITCH BASE                  |                    |        |
| 13  | 86286580 | 47479   | 1   | SPACER, ACTUATOR SWITCH             |                    |        |
| 14  | 86007780 | 73576   | 1   | SPRING, COMP .60D X2.0L X .045W     |                    |        |
| 15  | 86279760 | 87256   | 2   | WASHER, 1/4 LOCK HICOLLAR PLT       |                    |        |
| 16  | 86259440 | 87486   | 2   | WASHER, M12 SPRING LOCK             |                    |        |
| 17  | 86271190 | 57142   | 2   | NUT, M12 X 1.75 HEX DIN934 PLT      |                    |        |
| 18  | 86248920 | 66487   | 1   | PIN, CLEVIS 1/2 X 2.25              | *(7)               |        |
| 19  | 86278850 | 80613   | 2   | WASHER, .506 ID X .94D X .064 NYL   | *(7)               |        |
| 20  | 86008680 | 80607   | 1   | COTTER, 1/2" RING                   | *(7)               |        |
| 21  | 86256130 | 730402  | 1   | STRAP, STATIC, .2T X 1W X 3L        |                    |        |
| 22  | 86276980 | 70775   | 1   | SCR, 5/16 X 2 HHCS SS               |                    |        |
| 23  | 86279630 | 87212   | 1   | WASHER, .344ID X 1.13 OD X .09T PLT |                    |        |

\* SEE SERIAL NUMBER PAGE

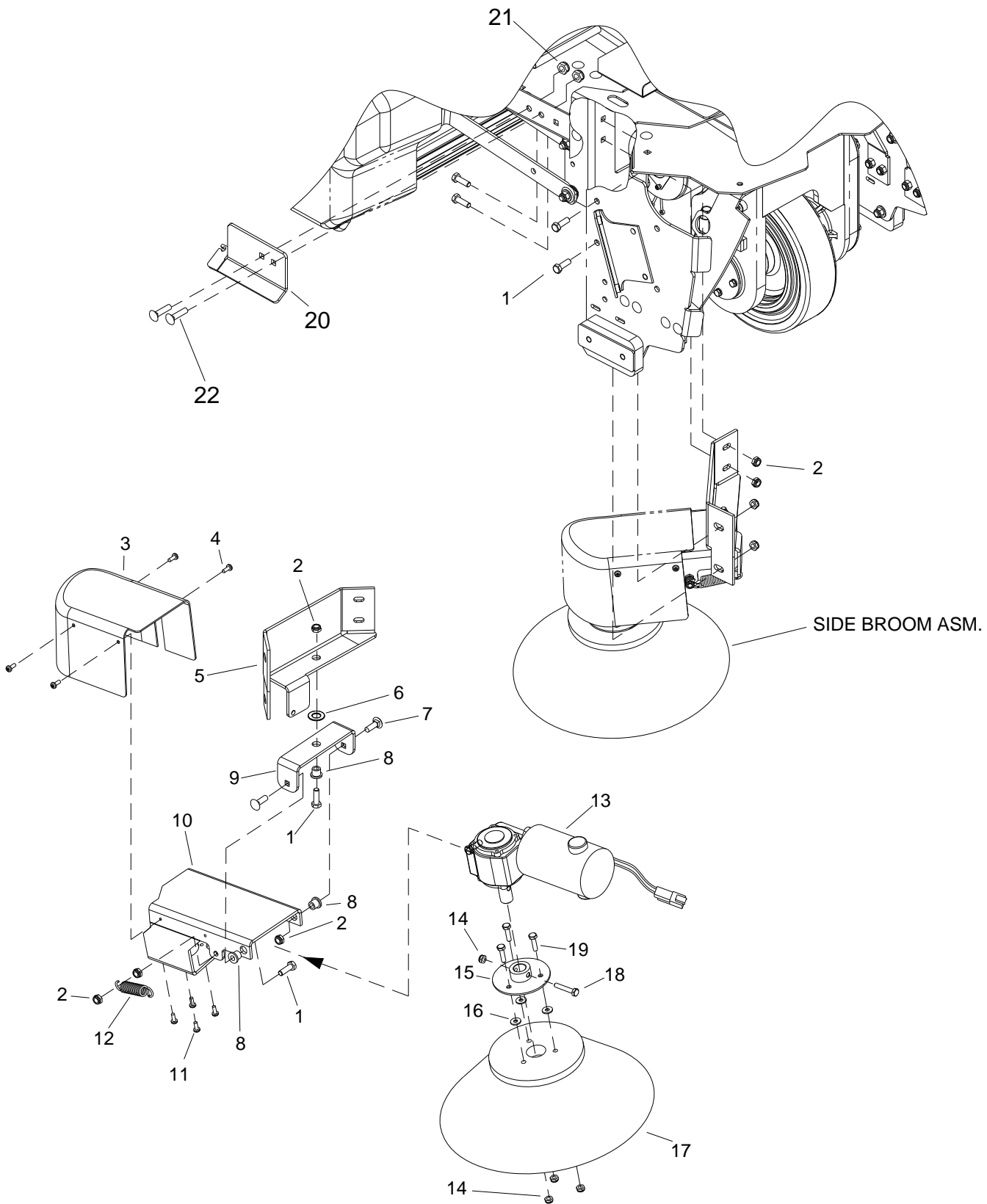
# REAR COVER



## REAR COVER

| REF | PART NO. | PRV NO. | QTY | DESCRIPTION                        | SERIAL NO.<br>FROM | NOTES:    |
|-----|----------|---------|-----|------------------------------------|--------------------|-----------|
| 1   | 86276780 | 70728   | 3   | SCR, 5/16-18 X 3/4 HHCS SS         |                    |           |
| 2   | 86279130 | 87083   | 5   | WASHER, 5/16 SPLIT LOCK PLTD       |                    |           |
| 3   | 86010670 | 87029   | 5   | WASHER, 5/16 FLAT SS               |                    |           |
| 4   | 86031780 | 270082  | 1   | COVER, REAR DELUXE                 |                    |           |
| 5   | 86005860 | 57273   | 2   | NUT, 1/4-20 X 12MM HEX BARREL      |                    |           |
| 6   | 86228980 | 09152   | 2   | BEARING FLANGED .377ID X<br>.505OD |                    |           |
| 7   | 86275870 | 70556   | 2   | SCR, 1/4-20 X 1.5" PPHMS SS        |                    | WAS 70697 |
| 8   | 86242140 | 72193   | 1   | KNOB, 3/8-16 X 1.5                 |                    |           |
| 9   | 86010770 | 87143   | 2   | WASHER, 7/16ID X 1D X .08FLT SS    |                    |           |
| 10  | 86248380 | 66433   | 1   | PAD, FLAT LEANING                  |                    |           |
| 11  | 86005630 | 57022   | 1   | NUT, 3/8-16 HEX NYLOCK THIN SS     |                    |           |
| 12  | 86071030 | 140786  | 1   | BRKT, ASSEMBLY, REAR COVER         |                    |           |
| 13  | 86010780 | 87162   | 2   | WASHER, 1/4 SPLIT LOCK PLTD        |                    |           |
| 14  | 86271940 | 57299   | 2   | NUT, 1/4-20 ACORN SS               |                    |           |
| 15  | 86006560 | 70083   | 2   | SCR, 5/16-18 X 1 HHCS SS NP        |                    |           |
| 16  | 86066940 | 140891  | 1   | BAR, COVER                         |                    |           |

# SIDE BROOM – DELUXE

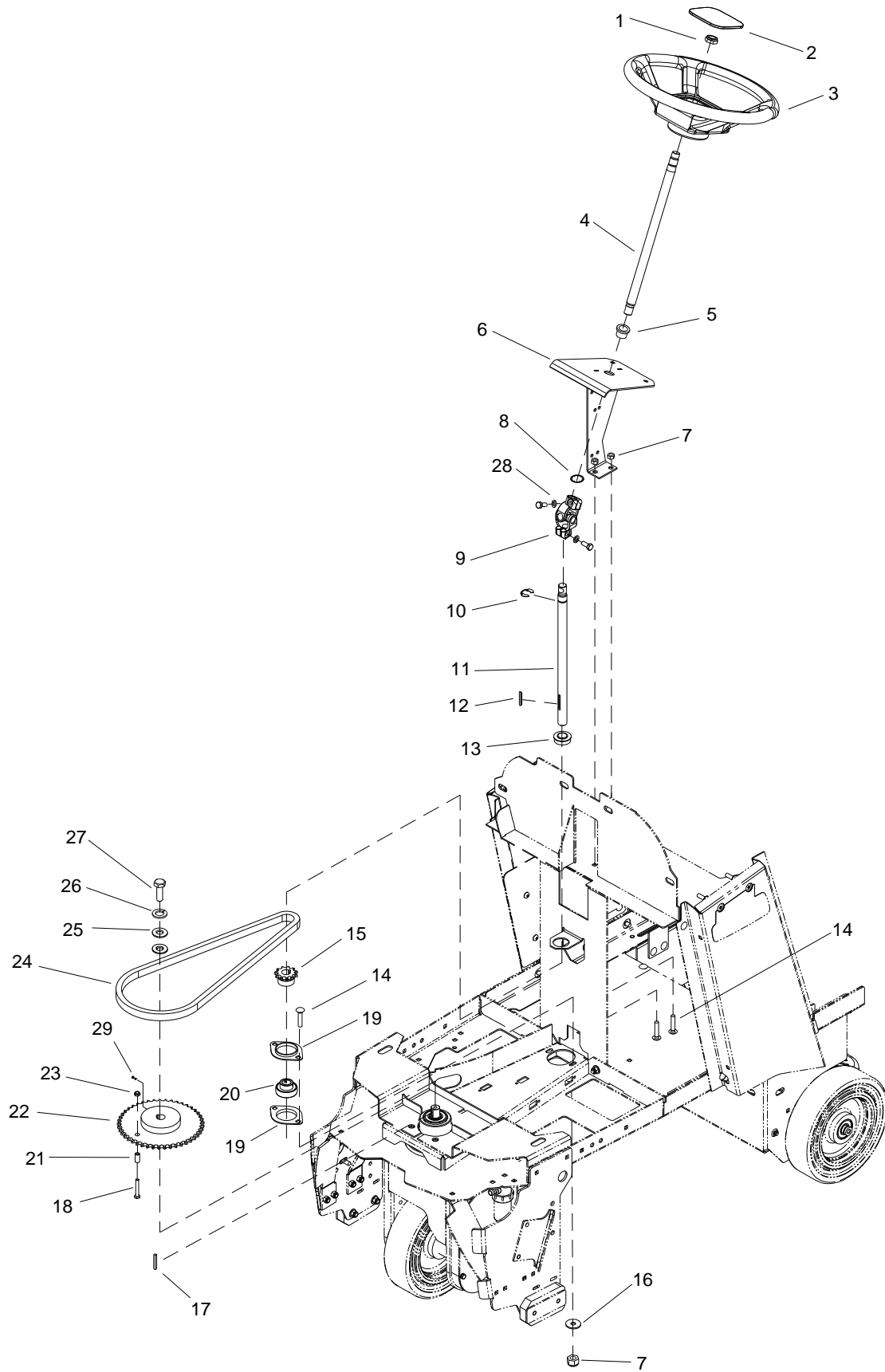


## SIDE BROOM – DELUXE

| REF | PART NO. | PRV NO. | QTY | DESCRIPTION                         | SERIAL NO.<br>FROM | NOTES: |
|-----|----------|---------|-----|-------------------------------------|--------------------|--------|
| 1   | 86006560 | 70083   | 7   | SCR, 5/16-18 X 1 HHCS SS            |                    |        |
| 2   | 86271840 | 57285   | 9   | NUT, 5/16 –18 HEX NYLOCK THIN SS    |                    |        |
| 3   | 86062570 | 27954   | 1   | COVER, SIDE BROOM                   |                    |        |
| 4   | 86274350 | 70187   | 4   | SCR, 10-24 X 1/2 PHTC –F-           |                    |        |
| 5   | 86068350 | 14119   | 1   | BRACKET, MOUNT, SIDE BRUSH          |                    |        |
| 6   | 86259410 | 87206   | 1   | WASHER, THRUST .51 ID X 1 OD X .063 |                    |        |
| 7   | 86277130 | 70795   | 2   | SCR, 5/16-18 X 1.00 CARRIAGE SS     |                    |        |
| 8   | 86228840 | 09124   | 3   | BEARING, FLANGED .314 ID X .502 OD  |                    |        |
| 9   | 86088500 | 14118   | 1   | BRACKET, SWIVEL, SIDE BRUSH         |                    |        |
| 10  | 86065790 | 14104   | 1   | ARM - MOUNTING, SIDE BRUSH          |                    |        |
| 11  | 86006590 | 70088   | 4   | SCR, 10-32 X 1/2 PPHMS SS NP        |                    |        |
| 12  | 86226830 | 73268   | 1   | SPRING, EXT .68D X 3.00 L X .098W   |                    |        |
| 13  | 86247390 | 53276   | 1   | MOTOR, 36VDC, 90 DEG./16HP          |                    |        |
| 14  | 86271870 | 57290   | 4   | NUT, 1/4-20 HEX NYLOCK THIN SS      |                    |        |
| 15  | 86094090 | 89282   | 1   | SHAFT, COLLAR ASSEMBLY PLATE        |                    |        |
| 16  | 86010630 | 87013   | 3   | WASHER, 1/4 ID X 5/8 OD SS          |                    |        |
| 17  | 86230600 | 12040   | 1   | BRUSH, 13", NYLON BLACK, SIDE       |                    |        |
| 18  | 86273740 | 70010   | 1   | SCR, 1/4-20 X 1.5 HHCS SS           |                    |        |
| 19  | 86273810 | 70018   | 3   | SCR, 1/4-20 X 1 HHCS SS             |                    |        |
| 20  | 86073530 | 29280   | 1   | BRKT, SIDE BROOM, CABLE MNT         | *(8)               |        |
| 21  | 86270830 | 57023   | 2   | NUT, 5/16-18 HEX NYLOCK SS          |                    |        |
| 22  | 86276070 | 70593   | 2   | SCR, 5/16-18 X 3/4 CARRIAGE SS      |                    |        |

\* SEE SERIAL NUMBER PAGE

# STEERING

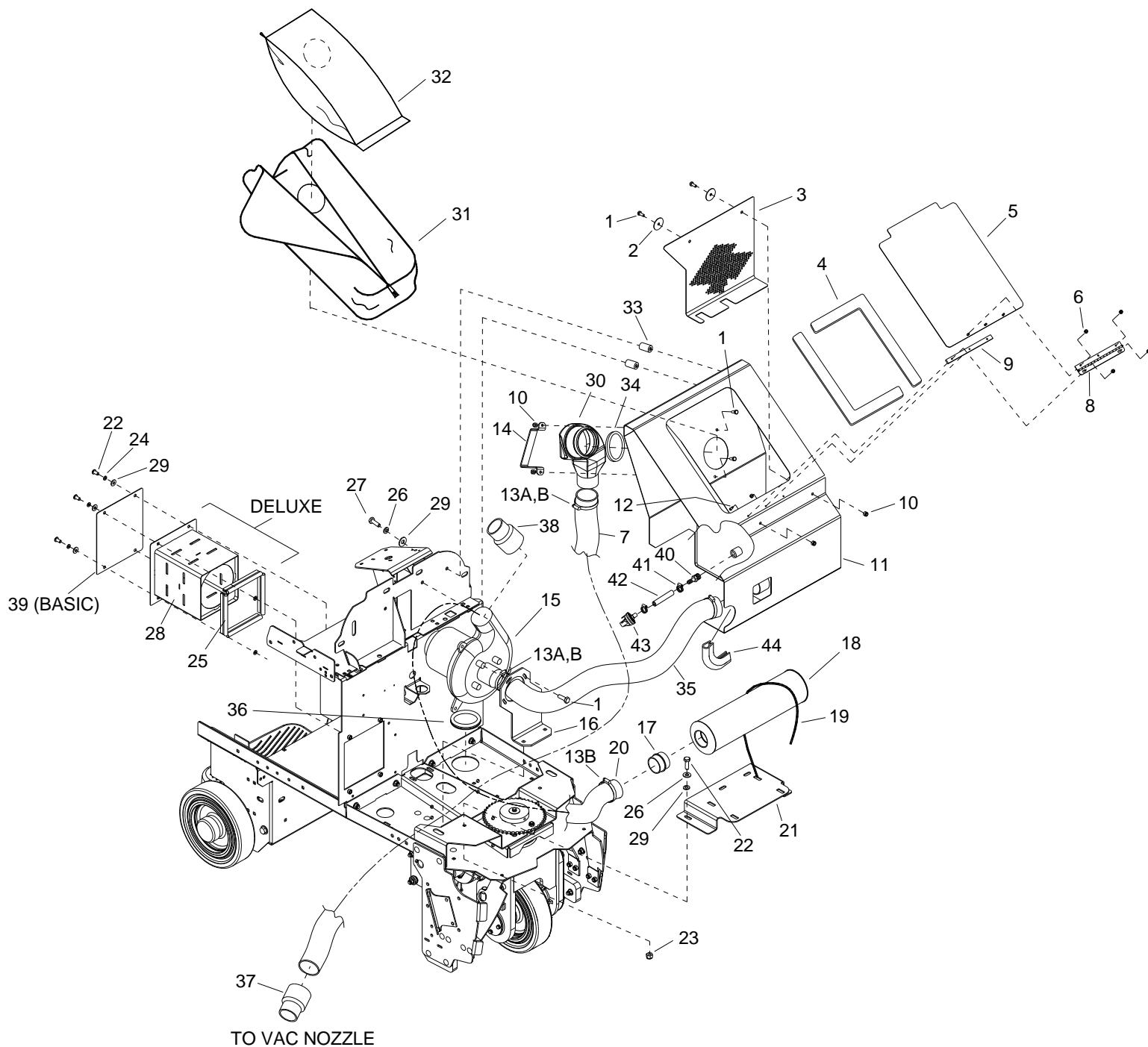




## STEERING

| REF | PART NO. | PRV NO. | QTY | DESCRIPTION                     | SERIAL NO.<br>FROM | NOTES:       |
|-----|----------|---------|-----|---------------------------------|--------------------|--------------|
| 1   | 86271610 | 57228   | 1   | NUT, 5/8-16 HEX NYLOCK THN      |                    |              |
| 2   | 86234810 | 27945   | 1   | COVER, STEERING WHEEL           |                    |              |
| 3   | 86259610 | 730117  | 1   | WHEEL, STEERING 40 SPLINE HUB   |                    |              |
| 4   | 86224050 | 730318  | 1   | SHAFT, UPPER STEERING           |                    |              |
| 5   | 86228790 | 09111   | 1   | BEARING, FLANGE .88ODX.75IDX.75 |                    |              |
| 6   | 86091740 | 140720  | 1   | BRKT, UPPER STEERING            |                    |              |
| 7   | 86270830 | 57023   | 4   | NUT, 5/16-18 HEX NYLOCK SS      |                    |              |
| 8   | 86005610 | 57016   | 1   | NUT, 7/8 DIA PUSHLOCK           |                    |              |
| 9   | 86219600 | 45012   | 1   | JOINT, UNIVERSAL FEMALE         |                    |              |
| 10  | 86272900 | 67416   | 1   | RING, 3/4" KLIP                 |                    |              |
| 11  | 86224060 | 730319  | 1   | SHAFT, LOWER STEERING           |                    |              |
| 12  | 86219650 | 48110   | 1   | KEY, 5MM SQ X 39MM L            |                    |              |
| 13  | 86228670 | 09072   | 1   | BEARING, 3/4" BORE FLANGED      |                    |              |
| 14  | 86276070 | 70593   | 4   | SCR, 5/16-18 X 3/4 CARRIAGE SS  |                    |              |
| 15  | 86224800 | 730315  | 2   | SPROCKET, STEERING SHAFT        |                    |              |
| 16  | 86010670 | 87029   | 2   | WASHER, 5/16 FLAT SS            |                    |              |
| 17  | 86135970 | 48045   | 1   | KEY, 3/16 SQ X 5/8 LONG         |                    |              |
| 18  | 86275190 | 70377   | 1   | SCR, 3/8-16 X 1.25 HHCS SS      |                    |              |
| 19  | 86008610 | 80595   | 2   | FLANGE, BEARING PRESS STEEL     |                    |              |
| 20  | 86001030 | 09148   | 1   | BEARING, BALL 3/4 BORE SPHERED  |                    |              |
| 21  | 86224320 | 730221  | 1   | SPACER, .63 OD X .385ID X .64L  |                    |              |
| 22  | 86224810 | 730316  | 1   | SPROCKET, DRIVE WHEEL STEERING  |                    |              |
| 23  | 86005630 | 57022   | 1   | NUT, 3/8-16 HEX NYLOCK THIN SS  |                    |              |
| 24  | 86002750 | 270088  | 1   | CHAIN, ISO 08B, 12.7MM PITCH    |                    |              |
| 25  | 86278940 | 87008   | 2   | WASHER, 1/4 ID X 1-1/4OD PLT    |                    |              |
| 26  | 86010780 | 87162   | 1   | WASHER, 1/4 SPLIT LOCK PLTD     |                    |              |
| 27  | 86274330 | 70175   | 1   | SCR, M6 X 20HHMS PLTD           |                    |              |
| 28  | 86279130 | 87083   | 2   | WASHER, 5/16 SPLIT LOCK PLTD    |                    |              |
| 29  | 86253200 | 70806   | 1   | SET SCR, M6 X 25 NP             |                    | SERVICE ONLY |
| -   | 86232780 | 279001  | -   | CHAIN, MASTERLINK 12.7MM        |                    | SERVICE ONLY |

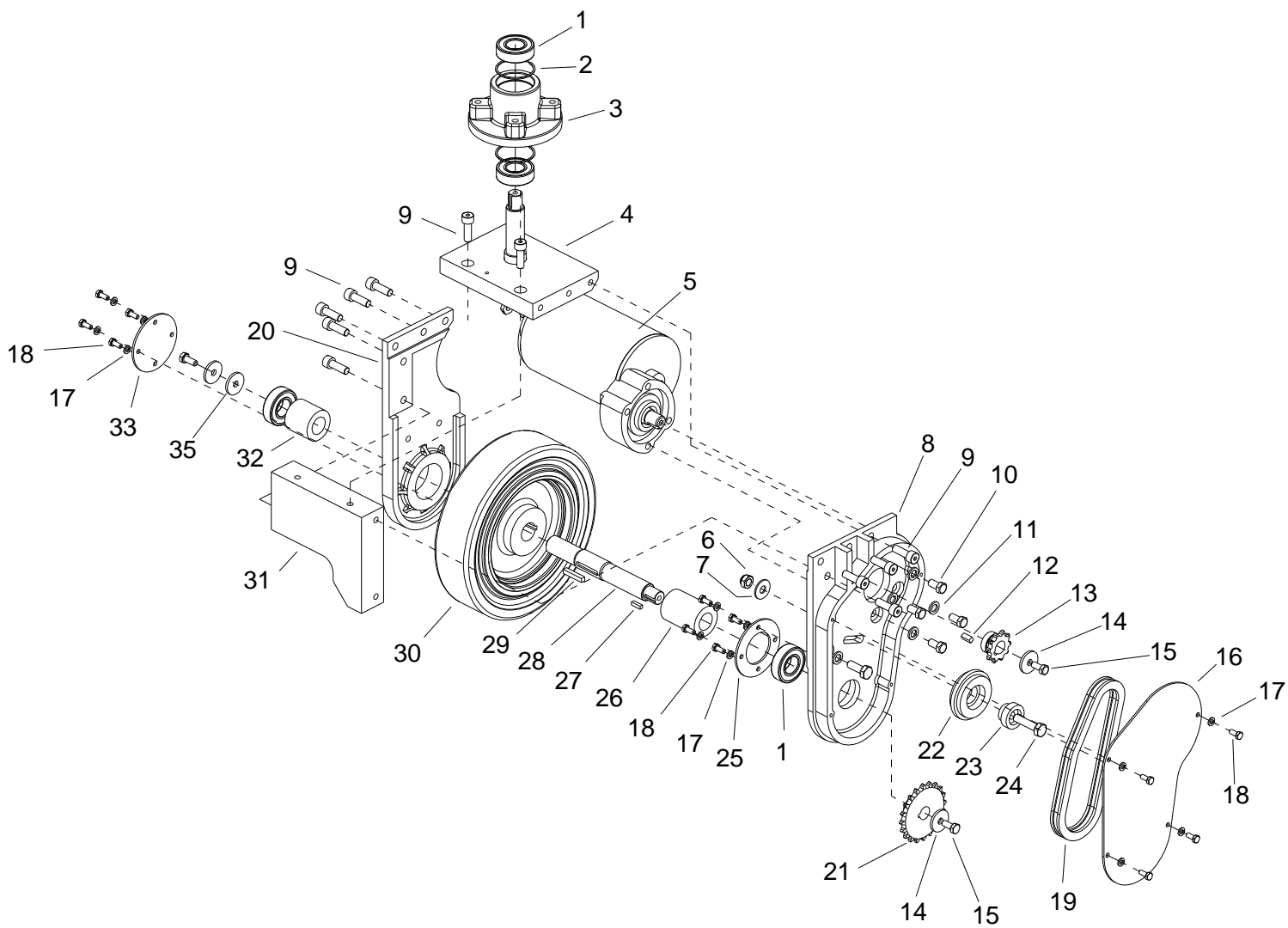
# VACUUM



# VACUUM

| REF | PART NO. | PRV NO. | QTY | DESCRIPTION                    | SERIAL NO. FROM | NOTES:      |
|-----|----------|---------|-----|--------------------------------|-----------------|-------------|
| 1   | 86273780 | 70015   | 8   | SCR, 1/4-20 X 3/4 HHCS SS NP   |                 |             |
| 2   | 86197220 | 87193   | 2   | WASHER, 1/4 X 1.5 FENDER PLTD  |                 |             |
| 3   | 86086740 | 730397  | 1   | SCREEN, VAC INTAKE             |                 |             |
| 4   | 86237960 | 35362   | 2   | GASKET, VACUUM BOX LID         |                 |             |
| 5   | 86075570 | 51460   | 1   | COVER, VAC BOX                 |                 |             |
| 6   | 86272020 | 57313   | 5   | NUT, 3-32 HEX THIN NYLOCK SS   |                 |             |
| 7   | 86240300 | 39718   | 1   | HOSE, GRY VAC, 2.5 X 36        |                 |             |
| 8   | 86200030 | 41394   | 1   | HINGE, ACCESS PLATE SENSEI     |                 |             |
| 9   | 86087370 | 730398  | 1   | SPACER, VAC BOX LID            |                 |             |
| 10  | 86005810 | 57245   | 4   | NUT, 1/4-20 HEX NYLOCK SS      |                 |             |
| 11  | 86229990 | 140927  | 1   | BOX, WAV VACUUM                |                 |             |
| 12  | 86277620 | 70891   | 2   | SCR, 8-32 X 1/2 HHCS SS        |                 |             |
| 13A | 86233120 | 20019   | 3   | CLAMP, 2.75" WORM GEAR         |                 | BASIC ONLY  |
| 13B | 86233120 | 20019   | 4   | CLAMP, 2.75" WORM GEAR         |                 | DELUXE ONLY |
| 14  | 86088130 | 73950   | 1   | STRAP, CHUTE                   |                 |             |
| 15  | 86247520 | 53818   | 1   | VAC MOTOR, 36V 1ST TD          |                 |             |
| -   | 86290210 | -       | -   | BRUSH SET MOTOR 53818          |                 |             |
| 16  | 86068440 | 54208   | 1   | BRACKET, VAC MOTOR MOUNT       |                 |             |
| 17  | 86236190 | 34456   | 1   | FITTING, 2 OD MALE X MALE PVC  |                 | DELUXE ONLY |
| 18  | 86247660 | 54209   | 1   | MUFFLER, SOUND TUBE PLASTIC    |                 | DELUXE ONLY |
| 19  | 86002830 | 27196   | 2   | CABLE, TIE, .375 X 24.7        |                 | DELUXE ONLY |
| 20  | 86240760 | 81399   | 1   | HOSE, 2" VAC X 32"             |                 | DELUXE ONLY |
| 21  | 86068110 | 14028   | 1   | BRACKET, VAC BOX MOUNT         |                 |             |
| 22  | 86276780 | 70728   | 6   | SCR, 5/16-18 X 3/4 HHCS SS     |                 |             |
| 23  | 86270830 | 57023   | 2   | NUT, 5/16-18 HEX NYLOCK SS     |                 |             |
| 24  | 86010780 | 87162   | 6   | WASHER, 1/4 SPLIT LOCK PLTD    |                 |             |
| 25  | 86235400 | 78600   | 2   | EDGING, 16" GRIP X 5.50" LG    |                 |             |
| 26  | 86010670 | 87029   | 6   | WASHER, 5/16 FLAT SS           |                 |             |
| 27  | 86006730 | 70259   | 2   | SCR, 5/16-18 X 1.75 HHCS PLTD  |                 |             |
| 28  | 86075530 | 27923   | 1   | COVER, VAC MOTOR               |                 | DELUXE ONLY |
| 29  | 86279130 | 87083   | 8   | WASHER, 5/16 SPLIT LOCK PLTD   |                 |             |
| 30  | 86062710 | 29274   | 1   | DEBRIS CHUTE, WAV              |                 |             |
| 31  | 86227870 | 140915  | 1   | BAG, CLOTH VACUUM              |                 |             |
| 32  | 86215090 | 140949  | 1   | BAG, PAPER WIDE AREA VAC       |                 |             |
| 33  | 86224380 | 730336  | 2   | SPACER, 1 OD X .391 ID X 1.063 |                 |             |
| 34  | 86238050 | 36246   | 1   | GASKET, 4.25OD X 3.63ID X .25  |                 |             |
| 35  | 86240310 | 39719   | 1   | HOSE, GRAY VAC, 2.25 X 10.0    |                 | WAS 39419   |
| 36  | 86238450 | 36245   | 1   | GROMMET, 3.0 ID X 3.25 GROOVE  |                 |             |
| 37  | 86234890 | 270148  | 1   | CUFF, 2.5 SLIP X 2.5 HOSE      |                 |             |
| 38  | 86009380 | 81866   | 1   | CUFF, 2" ID VAC-U-FLEX HOSE    |                 |             |
| 39  | 86081230 | 62708   | 1   | PLATE, VAC COVER               |                 | BASIC ONLY  |
| 40  | 86198000 | 40067   | 1   | HOSEBARB, 1/8MPT X 3/8 PLASTIC |                 |             |
| 41  | 86281680 | 39486   | 1   | HOSE, 3/8ID NYLOBRAID X 2"     |                 |             |
| 42  | 86233090 | 20016   | 2   | CLAMP, 1/4 ID HOSE             |                 |             |
| 43  | 86257160 | 72199   | 1   | SWITCH, VACUUM 15" H20 NC/NO   |                 |             |
| 44  | 86251750 | 67602   | 1   | RISER, BUMPER                  |                 |             |
| -   | 86316200 | -       | -   | VACUUM LINT BRUSH              |                 | NOT SHOWN   |

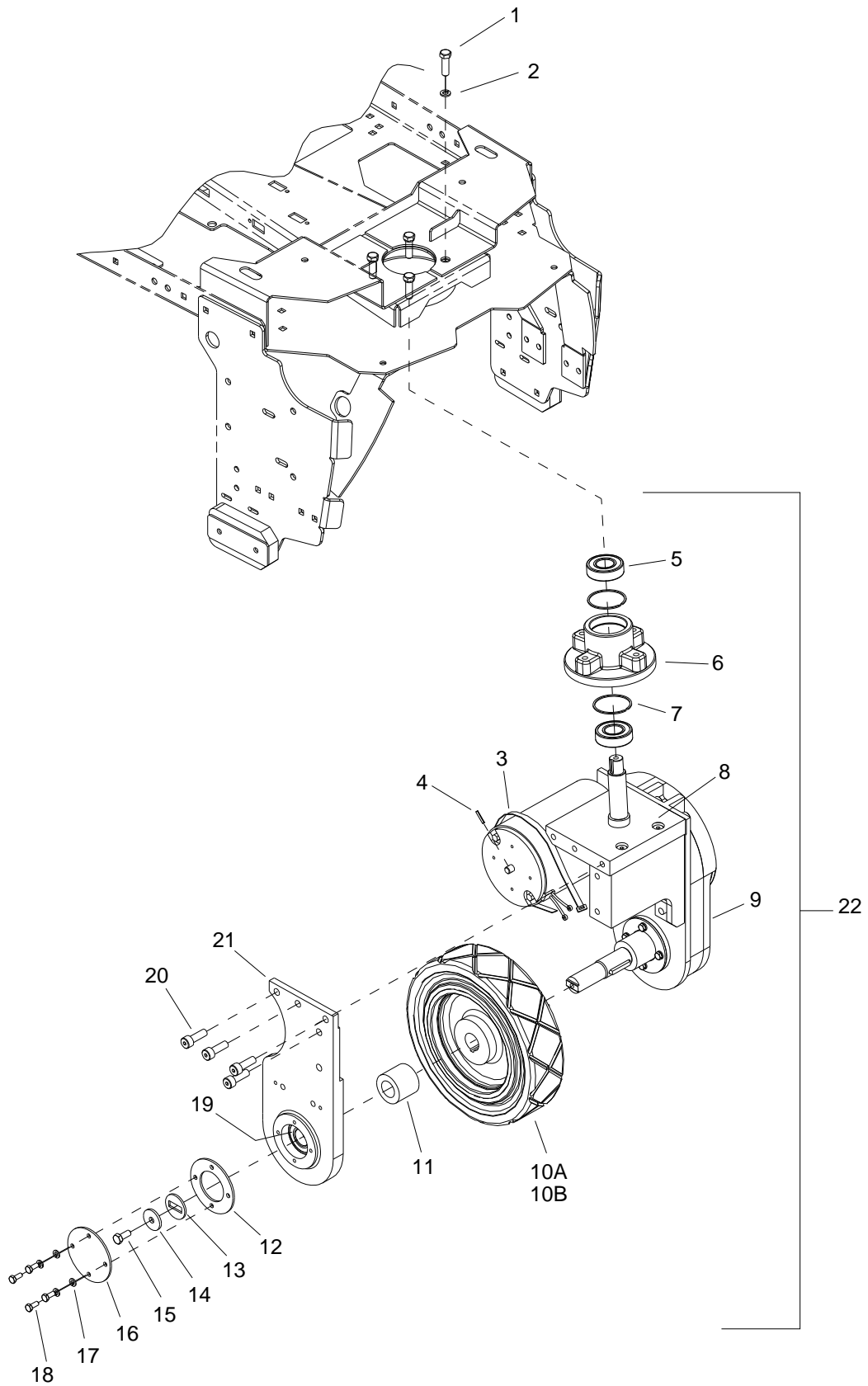
# WHEEL-FRONT DRIVE-CHAIN



## WHEEL-FRONT DRIVE-CHAIN

| REF | PART NO. | PRV NO. | QTY | DESCRIPTION                      | SERIAL NO.<br>FROM | NOTES:       |
|-----|----------|---------|-----|----------------------------------|--------------------|--------------|
| 1   | 86223980 | 09134   | 4   | SEALED BALL BRNG, 25MM X 52MM    |                    |              |
| 2   | 86223480 | 67450   | 2   | RING, 52MM INTERNAL SNAP         |                    |              |
| 3   | 86219420 | 41510   | 1   | STEERING, HUB                    |                    |              |
| 4   | 86224040 | 730306  | 1   | SHAFT, ASM, DRIVE PIVOT          |                    |              |
| 5   | 86005510 | 53810   | 1   | MOTOR, 36V 180RPM GEAR           |                    |              |
| -   | 86216210 | 53820   | -   | BRUSH SET MOTOR 53810            |                    |              |
| -   | 86227440 | 05261   | -   | ARMATURE 53810 MOTOR             |                    |              |
| 6   | 86136360 | 57275   | 1   | NUT, M10X1.5 HEX NYLOCK PLTD     |                    |              |
| 7   | 86010720 | 87086   | 1   | WASHER, M10 X 30 PLTD            |                    |              |
| 8   | 86222730 | 620038  | 1   | PLATE, DRIVE WHEEL YOKE LH       |                    |              |
| 9   | 86277320 | 70828   | 11  | SCR, M10 X 30 HHCS               |                    |              |
| 10  | 86275640 | 70515   | 4   | SCR, 3/8-24 X 3/4 HHCS GR5 PLTD  |                    |              |
| 11  | 86279700 | 87244   | 5   | WASHER, M10 X 18 FLAT            |                    |              |
| 12  | 86219620 | 48106   | 1   | KEY, 1/4 SQ. X .63               |                    |              |
| 13  | 86007620 | 730310  | 1   | SPROCKET, MOTOR SHAFT            |                    |              |
| 14  | 86279710 | 87245   | 3   | WASHER, M8 (2 THK X 26 OD) FLAT  |                    |              |
| 15  | 86136640 | 70262   | 2   | SCR, M8-1.25 X 20HHMS PLTD       |                    |              |
| 16  | 86222710 | 620036  | 1   | PLATE, CHAIN COVER               |                    |              |
| 17  | 86279690 | 87243   | 12  | WASHER, M6 SPLIT LOCK BLK        |                    |              |
| 18  | 86277340 | 70830   | 12  | SCR, M6 X 15 HHCS BLK            |                    |              |
| 19  | 86002730 | 270085  | 1   | CHAIN, ISO 08B 12.7MM PITCH/LINK |                    |              |
| -   | 86232770 | 279000  | -   | CHAIN, OFF-SET LINK 12.7MM       |                    | SERVICE ONLY |
| -   | 86232780 | 279001  | -   | CHAIN, MASTERLINK 12.7MM         |                    | SERVICE ONLY |
| 20  | 86222760 | 620041  | 1   | PLATE, DRIVE YOKE RH             |                    |              |
| 21  | 86007630 | 730311  | 1   | SPROCKET, DRIVE WHEEL            |                    |              |
| 22  | 86002710 | 270076  | 1   | CHAIN TENSIONER                  |                    |              |
| 23  | 86224270 | 730293  | 1   | SLEEVE, CHAIN TENSIONER          |                    |              |
| 24  | 86277330 | 70829   | 1   | SCR, M10 X 45 HHCS               |                    |              |
| 25  | 86222720 | 620037  | 1   | PLATE, BEARING RETAINER          |                    |              |
| 26  | 86224330 | 730294  | 1   | SPACER, 25.5ID X 45OD X 65L      |                    |              |
| 27  | 86219630 | 48107   | 1   | KEY, 3/16 SQ X .67               |                    |              |
| 28  | 86000850 | 05231   | 1   | AXLE, DRIVE                      |                    |              |
| 29  | 86219640 | 48108   | 1   | KEY, 1/4 SQ X 1.5                |                    |              |
| 30  | 86259940 | 89275   | 1   | WHEEL, 10X2.5 W/KEYWY GRY, NT    |                    |              |
| 31  | 86222750 | 620040  | 1   | PLATE, DRIVE YOKE FRONT          |                    |              |
| 32  | 86224340 | 730295  | 1   | SPACER, 25.5ID X 45OD X 43L      |                    |              |
| 33  | 86222770 | 620042  | 1   | PLATE, BEARING COVER             |                    |              |
| 34  | 86217720 | 29269   | -   | DRIVE ASM, MOTOR                 |                    | COMPLETE     |
| 35  | 86311040 | -       | 1   | SPACER, CHAIN DRIVE AXLE         |                    |              |

# WHEEL-FRONT DRIVE, GEAR

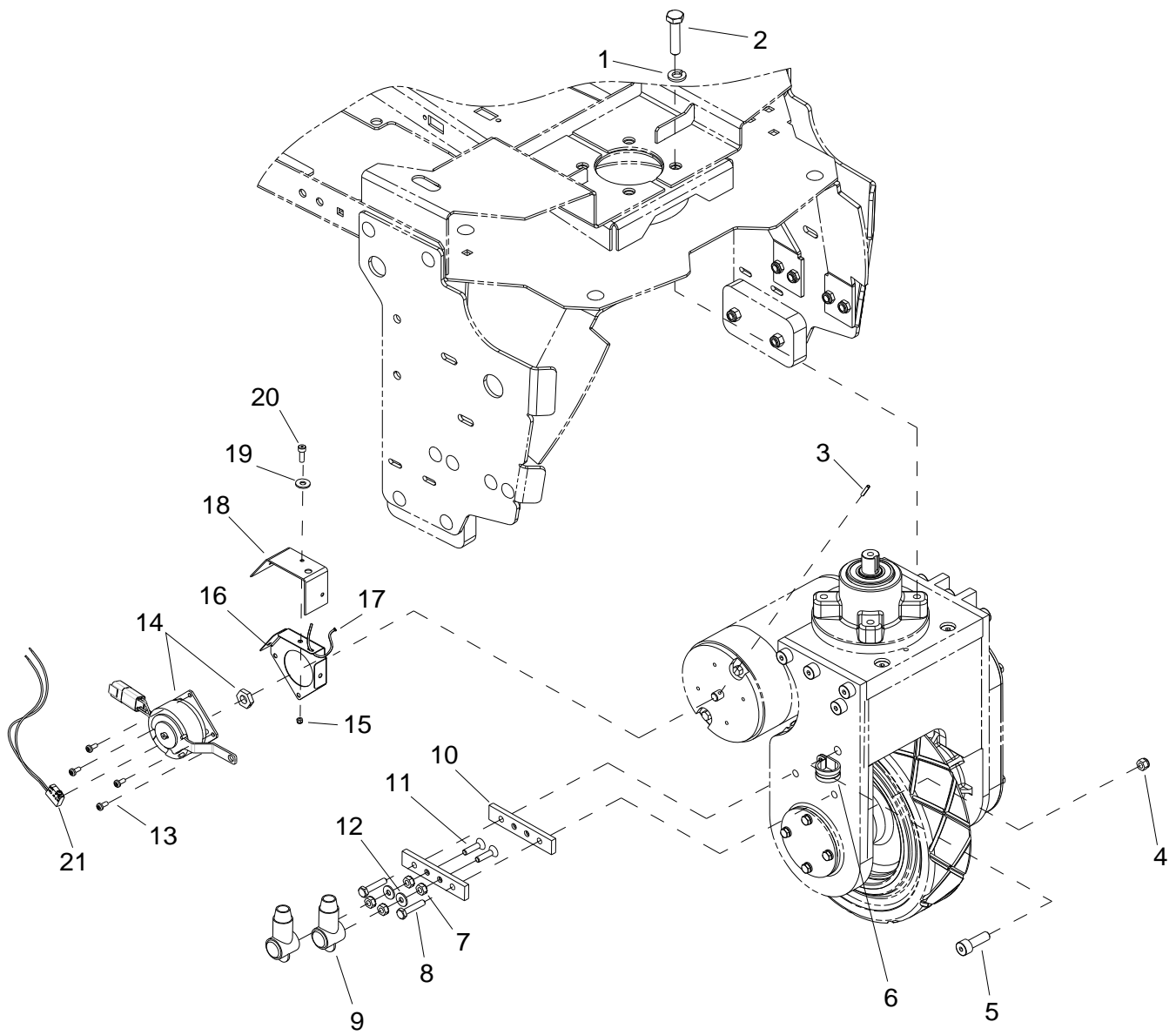


## WHEEL-FRONT DRIVE, GEAR

| REF | PART NO. | PRV NO. | QTY | DESCRIPTION                       | SERIAL NO. FROM | NOTES:   |
|-----|----------|---------|-----|-----------------------------------|-----------------|----------|
| 1   | 86275190 | 70377   | 4   | SCR, 3/8-16 X 1.25 HHCS SS        |                 |          |
| 2   | 86010790 | 87163   | 4   | WASHER, 3/8 SPLIT LOCK PLTD       |                 |          |
| 3   | 86002830 | 27196   | 1   | CABLE TIE, .375 X 24.7            |                 |          |
| 4   | 86006170 | 66031   | 1   | PIN, ROLL 1/8" X 3/4"L            |                 |          |
| 5   | 86223980 | 09134   | 3   | SEALED BALL BRNG, 25MM X 52MM     |                 |          |
| 6   | 86219420 | 41510   | 1   | HUB STEERING                      |                 |          |
| 7   | 86223480 | 67450   | 2   | RING, 52MM INTERNAL SNAP          |                 |          |
| 8   | 86224020 | 730233  | 1   | SHAFT ASM, DRIVE PIVOT            |                 |          |
| 9   | 86215440 | 140920  | 1   | BOX, DRIVE UNIT                   |                 |          |
| 10A | 86011120 | 89262   | 1   | WHEEL, 10 X 2, 5 X 1.06 W/KEYWAY  |                 |          |
| 10B | 86259920 | 89273   | 1   | WHEEL, 10 X 2. 5 W/KEYWAY, GRY    |                 | OPTION   |
| 11  | 86224440 | 730387  | 1   | SPACER, 25.51 ID X 45 OD X 39.1 L |                 |          |
| 12  | 86222720 | 620037  | 1   | PLATE, BEARING RETAINERX          |                 |          |
| 13  | 86225810 | 87506   | 1   | WASHER, ANTI-ROTATION             |                 |          |
| 14  | 86279710 | 87245   | 1   | WASHER, M8 (2THK X 26 OD)         |                 |          |
| 15  | 86136640 | 70262   | 1   | SCR, M8-1.25 X 20 HHMS PLTD       |                 |          |
| 16  | 86222770 | 620042  | 1   | PLATE, BEARING COVER              |                 |          |
| 17  | 86279690 | 87243   | 4   | WASHER, M6 SPLIT LOCK BLK         |                 |          |
| 18  | 86277340 | 70830   | 4   | SCR, M6 X 15 HHCS BLK             |                 |          |
| 19  | 86223980 | 09134   | 3   | SEALED BALL BRNG, .25MM X 52MM    |                 |          |
| 20  | 86277320 | 70828   | 10  | SCR, M10 X 30 HHCS                |                 |          |
| 21  | 86222760 | 620041  | 1   | PLATE, DRIVE YOKE RH              |                 |          |
| 22  | 86217730 | 29276   | 1   | DRIVE MOTOR ASSEMBLY              |                 | COMPLETE |
| -   | 86216210 | 53820   | -   | BRUSH SET MOTOR, 53810 86005510   |                 |          |

\* SEE SERIAL NUMBER PAGE

# WHEEL-FRONT BRAKE



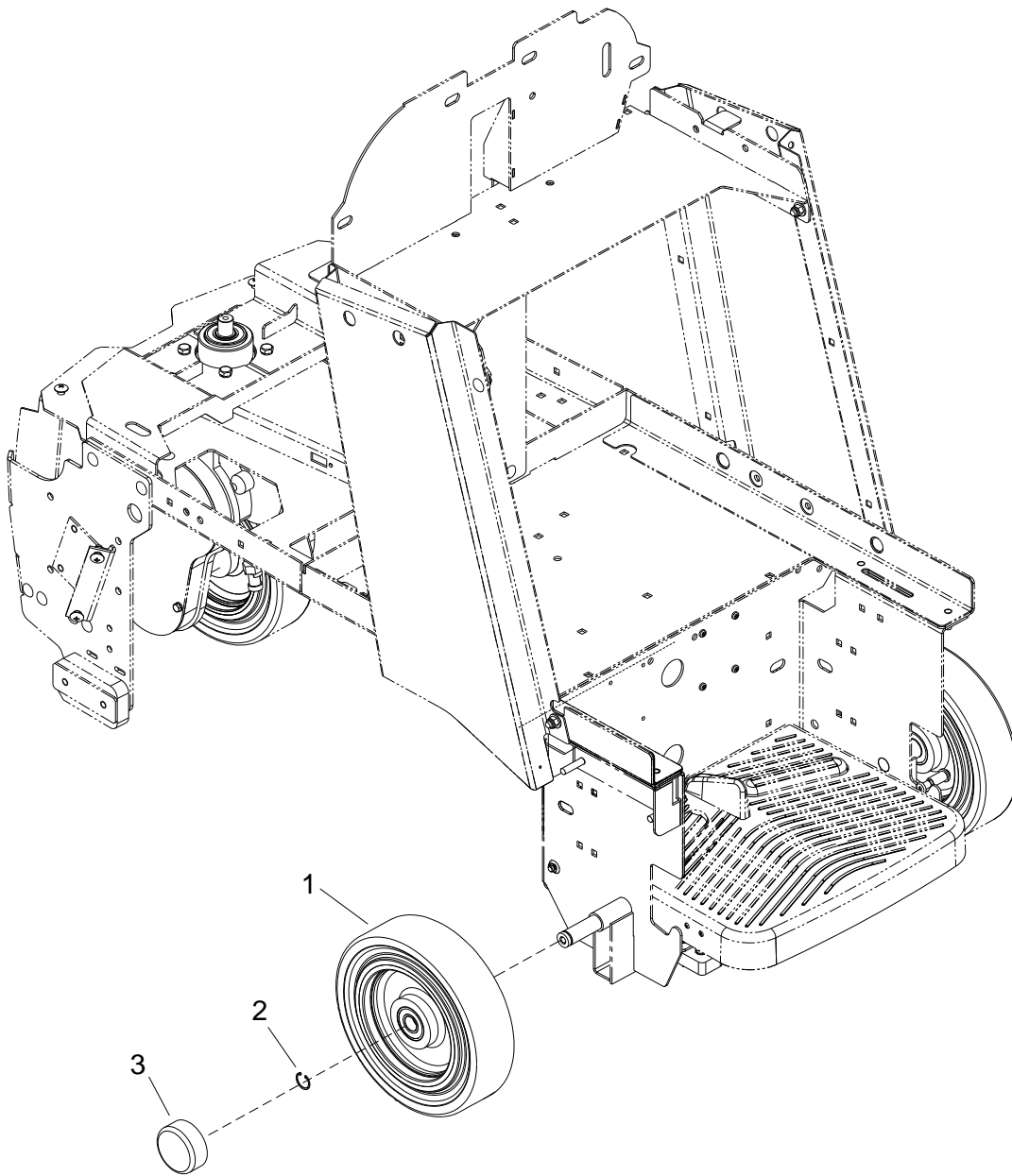


**WHEEL-FRONT BRAKE**

| REF | PART NO. | PRV NO.   | QTY | DESCRIPTION                       | SERIAL NO.<br>FROM | NOTES: |
|-----|----------|-----------|-----|-----------------------------------|--------------------|--------|
| 1   | 86010790 | 87163     | 4   | WASHER, 3/8 SPLIT LOCK PLTD       |                    |        |
| 2   | 86275190 | 70377     | 4   | SCR, 3/8-16 X 1.25 HHCS SS        |                    |        |
| 3   | 86006170 | 66031     | 1   | PIN, ROLL 1/8" X 3/4"L SS         |                    |        |
| 4   | 86005810 | 57245     | 2   | NUT, 1/4-20 HEX NYLOCK SS         |                    |        |
| 5   | 86277320 | 70828     | 1   | SCR, M10 X 30 HHCS                |                    |        |
| 6   | 86233410 | 81270     | 1   | CLAMP, 3/4 DIA CUSHION<br>.406DIA |                    |        |
| 7   | 86005710 | 57105     | 4   | NUT, 1/4-20 HEX W/STAR<br>WASHER  |                    |        |
| 8   | 86273740 | 70010     | 2   | SCR, 1/4-20 X 1.50 HHCS           |                    |        |
| 9   | 86008920 | 80889     | 2   | BOOT, RUBBER TERM.<br>ISOLATOR    |                    |        |
| 10  | 86257490 | 76155     | 2   | TERMINAL MOUNT                    |                    |        |
| 11  | 86006840 | 70390     | 2   | SCR, 1/4-20 X 1 FHCS PLTD         |                    |        |
| 12  | 86010630 | 87013     | 2   | WASHER, 1/4 ID X 5/8 OD SS        |                    |        |
| 13  | 86273340 | 00-000289 | 4   | SCR, 8-32 X 3/8 SHCS SS           |                    |        |
| 14  | 86001740 | 140816    | 1   | BRAKE, 36VDC W/CONNECTOR          |                    |        |
| 15  | 86270990 | 57090     | 3   | NUT, 10-32 HEX NYLOCK SS          | *(9)               |        |
| 16  | 86301950 | -         | 1   | PLATE, BRAKE SPACER               | *(9)               |        |
| 17  | 86264930 | 27050     | 1   | CABLE TIE, 3.5" UL/CSA            |                    |        |
| 18  | 86301960 | -         | 1   | SKIRT, BRAKE                      | *(9)               |        |
| 19  | 86010650 | 87018     | 3   | WASHER, #10 X 9/16 OD             | *(9)               |        |
| 20  | 86274290 | 70162     | 3   | SCR, 10-32 X 3/8 PPHMS SS         | *(9)               |        |
| 21  | 86320870 | -         | 1   | SWITCH, 36V BRAKE                 |                    |        |

\* SEE SERIAL NUMBER PAGE

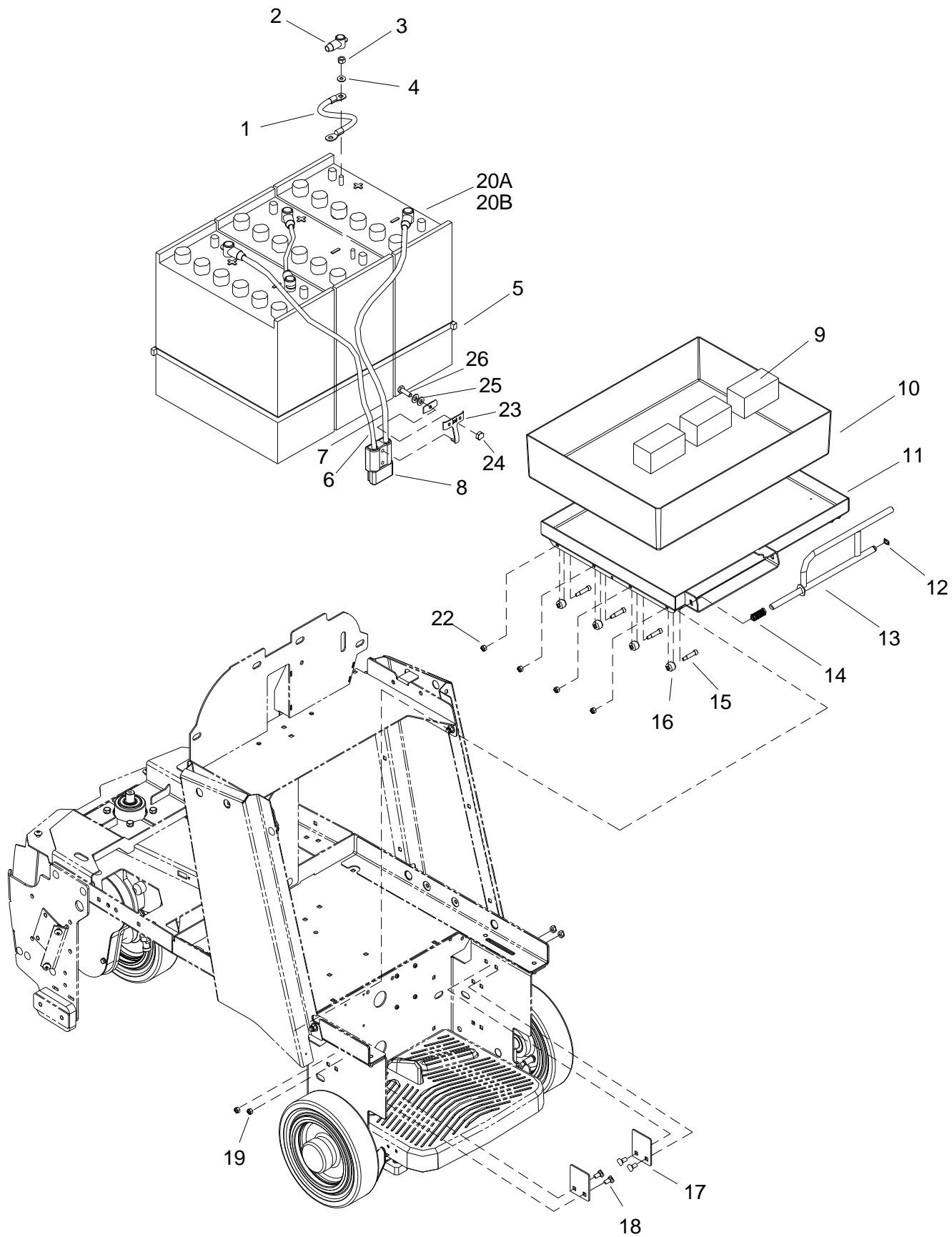
# WHEEL-REAR



**WHEEL-REAR**

| REF | PART NO. | PRV NO. | QTY | DESCRIPTION                     | SERIAL NO.<br>FROM | NOTES: |
|-----|----------|---------|-----|---------------------------------|--------------------|--------|
| 1   | 86259950 | 89276   | 2   | WHEEL, 10X2.5 W/BRNGS, GRAY, NT |                    |        |
| 2   | 86008710 | 80623   | 2   | RING, 3/4" EXT SNAP H-D         |                    |        |
| 3   | 86232130 | 17309   | 2   | CAP, 2.75 ID X 1.0 L BLK VINYL  |                    |        |

# WIRING-BATTERIES

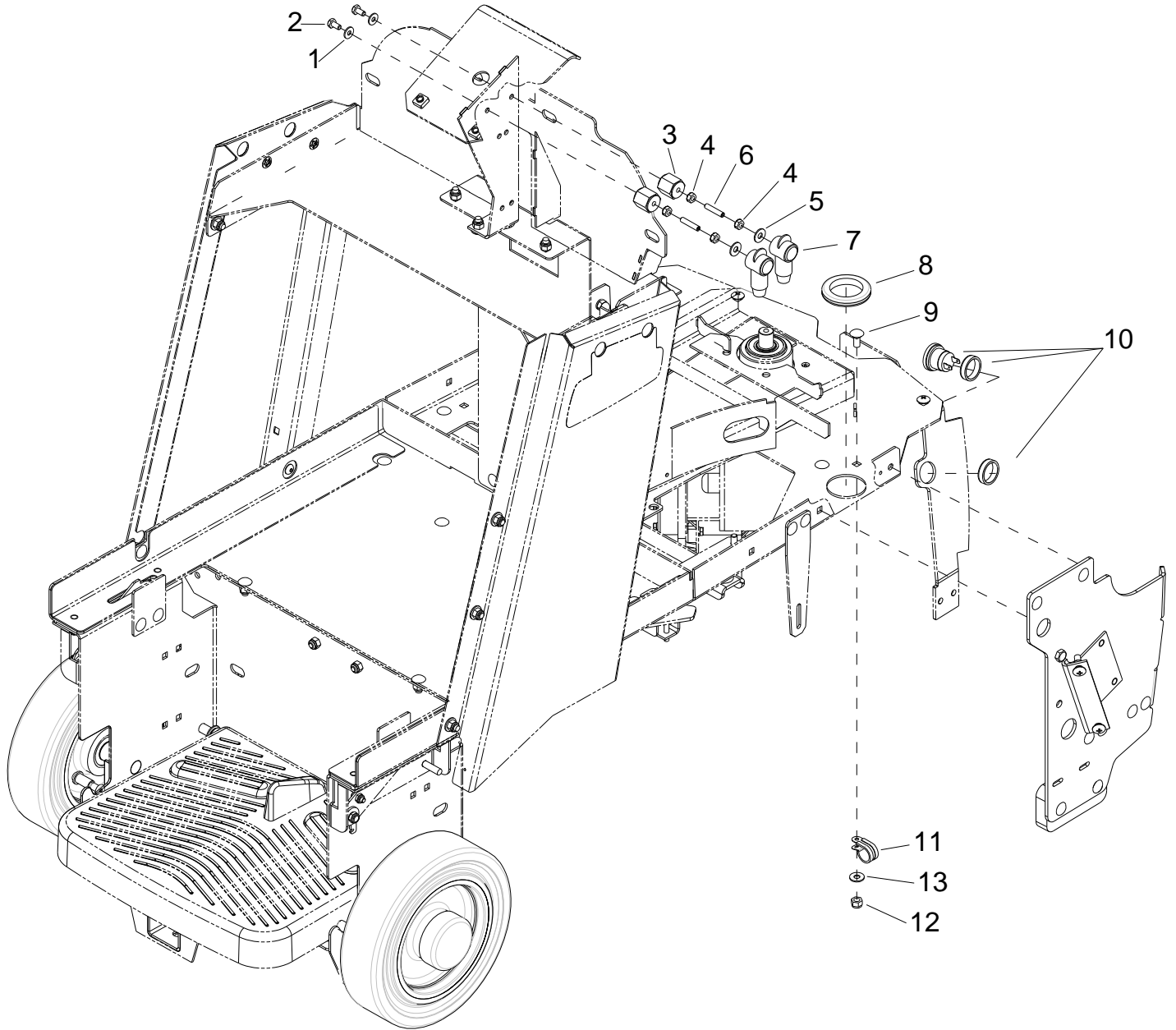


## WIRING-BATTERIES

| REF | PART NO. | PRV NO. | QTY | DESCRIPTION                        | SERIAL NO.<br>FROM | NOTES:    |
|-----|----------|---------|-----|------------------------------------|--------------------|-----------|
| 1A  | 86260200 | 80872   | 2   | WIRE, 4X14.5BK 3/8 RING X 3/8 RING |                    |           |
| 1B  | 86002510 | 23125   | 2   | CABLE ASM, BAT. JUMPER X 15"       |                    |           |
| 2   | 86008920 | 80889   | 6   | BOOT, RUBBER TERM. ISOLATOR        |                    |           |
| 3   | 86271910 | 57295   | 6   | NUT, 5/16-18 FLEXLOCK              |                    |           |
| 4   | 86010670 | 87029   | 6   | WASHER, 5/16 FLAT SS               |                    |           |
| 5   | 86264960 | 27915   | 2   | CABLE TIE, .375 X 43"              |                    |           |
| 6A  | 86260610 | 880836  | 1   | WIRE, 4X25RD CTERM X 3/8RING       | *(10)              |           |
| 6B  | 86002570 | 23190   | 1   | WIRE, 4X27 RD BCLAMP X CTERM       |                    |           |
| 7A  | 86260230 | 80876   | 1   | WIRE, 4X30 BK CTERM X 3/8RING      |                    |           |
| 7B  | 86002580 | 23191   | 1   | WIRE, 4X27 BK BCLAMP X CTERM       |                    |           |
| 8   | 86008760 | 80682   | 1   | CONN, 175 DCA GRY W/O TERMS        |                    |           |
| 9   | 86229700 | 08071   | 3   | BLOCK, 3.0 X 1.5 X 1.5             |                    |           |
| 10  | 86008300 | 78242   | 1   | TRAY, BATTERY LINER                |                    |           |
| 11  | 86008410 | 78568   | 1   | TRAY, BATTERY                      |                    |           |
| 12  | 86272810 | 67132   | 1   | RING, 1/2 EXT. SNAP H-D            |                    |           |
| 13  | 86092910 | 51396   | 1   | LATCH ROD, BATTERY TRAY            |                    |           |
| 14  | 86254990 | 730313  | 1   | SPRING, COMP, 63ODX3.5LX.047       |                    |           |
| 15  | 86278150 | 70117   | 8   | SHOULDER BOLT, 5/16 OD X 1.0 L     |                    |           |
| 16  | 86259910 | 89265   | 8   | WHEEL, BATTERY TRAY                |                    |           |
| 17  | 86088790 | 78571   | 2   | TRAY, STANDARD STOP                |                    |           |
| 18  | 86276070 | 70593   | 4   | SCR, 5/16-18 X 3/4 CARRIAGE SS     |                    |           |
| 19  | 86270830 | 57023   | 4   | NUT, 5/16-18 HEX NYLOCK SS         |                    |           |
| 20A | 86228410 | 10023   | 3   | BATTERY, 12V, 205AH                |                    |           |
| 20B | 86283410 | 10030   | 3   | BATTERY, 12V, 225AH                |                    |           |
| 21  | 86284090 | 02456   | 1   | CHARGER, 36V, 20A, 115V, C175      |                    | NOT SHOWN |
| 22  | 86005810 | 57245   | 8   | NUT, 1/4-20 HEX NYLOCK SS          |                    |           |
| 23  | 86233360 | 28038   | 1   | CLAMP, CABLE KIT SY945             |                    |           |
| 24  | 86270890 | 57034   | 1   | NUT, ACORN 10-32                   |                    |           |
| 25  | 86010650 | 87018   | 1   | WASHER, #10 X 9/16 OD              |                    |           |
| 26  | 86273980 | 70066   | 1   | SCREW, 10-32 X 3/4 PPHMS SS        |                    |           |

\* SEE SERIAL NUMBER PAGE

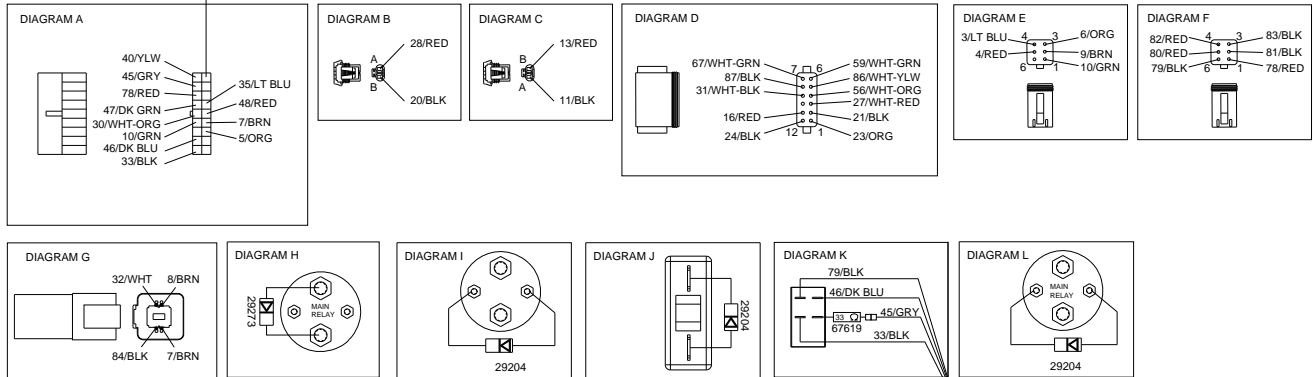
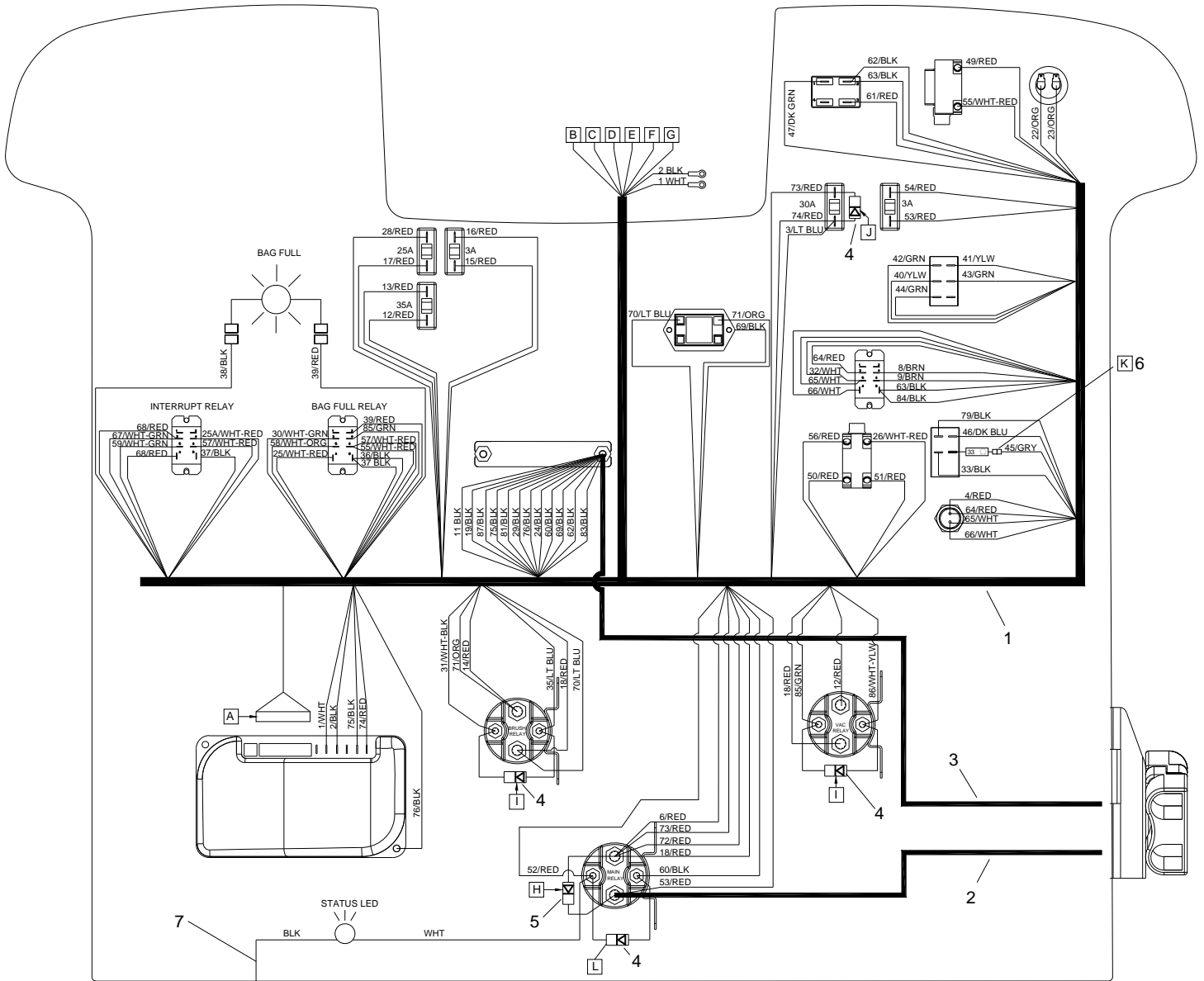
# WIRING-COMPONENTS



## WIRING-COMPONENTS

| REF | PART NO. | PRV NO. | QTY | DESCRIPTION                    | SERIAL NO.<br>FROM | NOTES: |
|-----|----------|---------|-----|--------------------------------|--------------------|--------|
| 1   | 86010780 | 87162   | 2   | WASHER, 1/4 SPLIT LOCK PLTD    |                    |        |
| 2   | 86273830 | 70020   | 2   | SCR, 1/4-20 X 1/2 HHCS SS NP   |                    |        |
| 3   | 86255910 | 73659   | 2   | STANDOFF, 1/4-20 X 1.0 HEX INS |                    |        |
| 4   | 86005710 | 57105   | 4   | NUT, 1/4-20 HEX W/STAR WASHER  |                    |        |
| 5   | 86010630 | 87013   | 2   | WASHER, 1/4 ID X 5/8 OD SS     |                    |        |
| 6   | 86006850 | 70393   | 2   | SET SCR, 1/4-20 1.25L          |                    |        |
| 7   | 86008920 | 80889   | 2   | BOOT, RUBBER TERM. ISOLATOR    |                    |        |
| 8   | 86238500 | 81427   | 2   | GROMMET, 1.703IDX2.5ODX.125GRV |                    |        |
| 9   | 86276070 | 70593   | 1   | SCR, 5/16-18 X 3/4 CARRIAGE SS |                    |        |
| 10  | 86239720 | 41520   | 1   | HORN, 108DB MINIATURE PIEZO    |                    |        |
| 11  | 86233410 | 81270   | 1   | CLAMP, 3/4 DIA CUSHION .406DIA |                    |        |
| 12  | 86270830 | 57023   | 1   | NUT, 5/16-18 HEX NYLOCK SS     |                    |        |
| 13  | 86010670 | 87029   | 1   | WASHER, 5/16 FLAT SS           |                    |        |

# WIRING-CONTROL PANEL



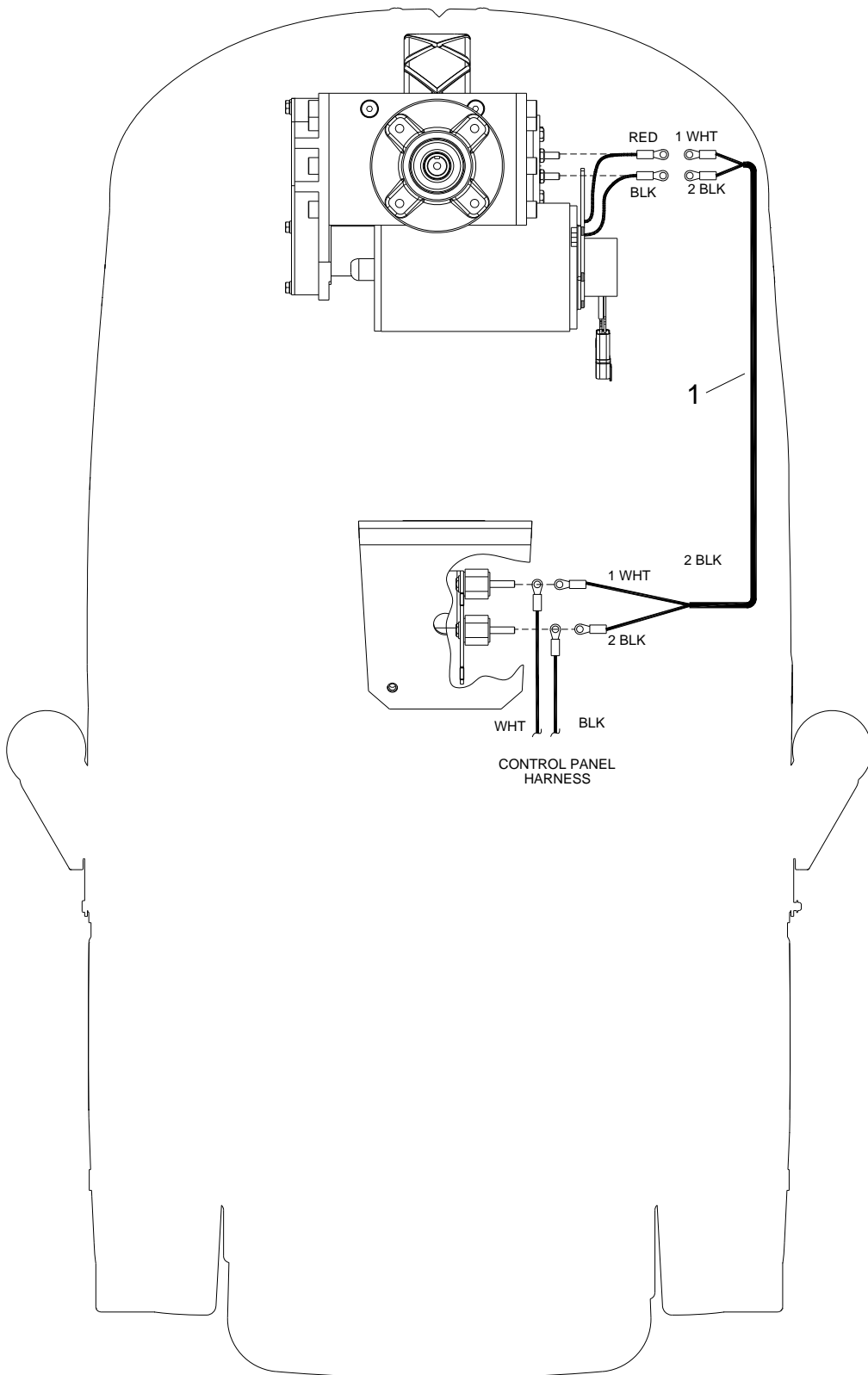


## WIRING-CONTROL PANEL

| REF | PART NO. | PRV NO. | QTY | DESCRIPTION                     | SERIAL NO.<br>FROM | NOTES: |
|-----|----------|---------|-----|---------------------------------|--------------------|--------|
| 1   | 86239230 | 41550   | 1   | HARNESS, CONTROL PANEL          |                    |        |
| 2   | 86260540 | 880426  | 1   | WIRE, 4X13 RD C.TERM X 5/16RING |                    |        |
| 3   | 86010860 | 880353  | 1   | WIRE, 4X20 BL CTERM X5/16RING   |                    |        |
| 4   | 86261210 | 29204   | 3   | DIODE ASM, 76008, 79008         |                    |        |
| 5   | 86261250 | 29273   | 1   | DIODE ASM, FAST RECOVERY        |                    |        |
| 6   | 86251490 | 67619   | 1   | RESISTOR ASM, 1/2 WATT 33 OHM   | *(11)              |        |
| 7   | 86311210 | -       | 1   | LIGHT ASM, INDICATOR, CODE      |                    |        |

\* SEE SERIAL NUMBER PAGE

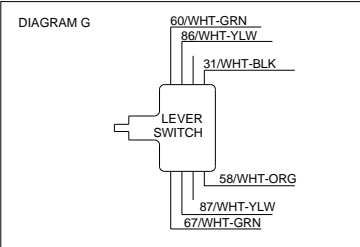
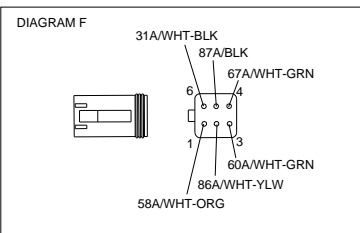
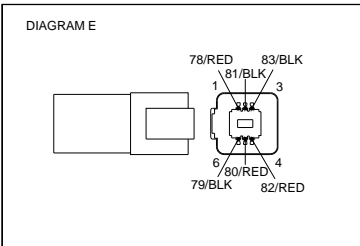
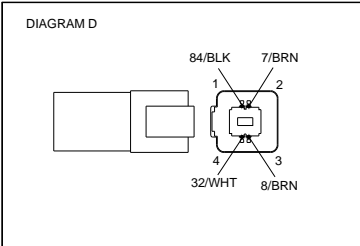
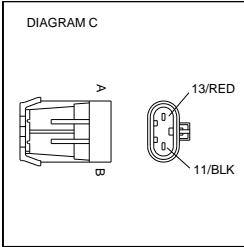
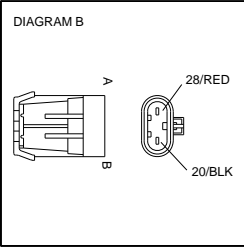
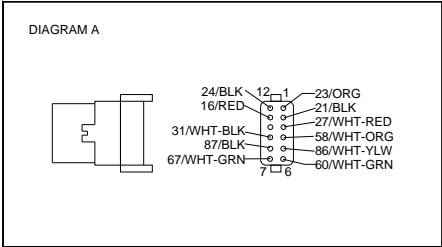
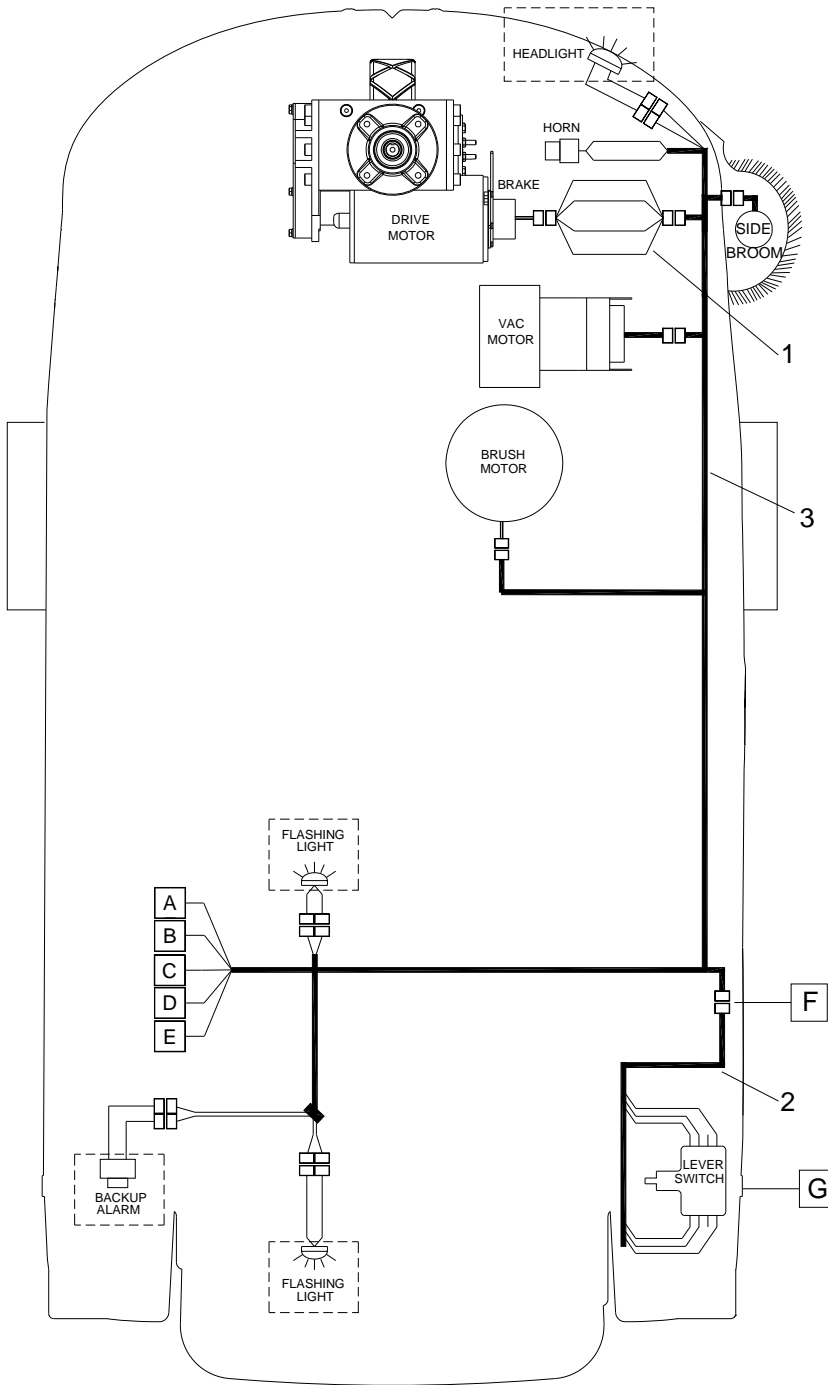
# WIRING-DRIVE MOTOR



## WIRING-DRIVE MOTOR

| REF | PART NO. | PRV NO. | QTY | DESCRIPTION             | SERIAL NO.<br>FROM | NOTES: |
|-----|----------|---------|-----|-------------------------|--------------------|--------|
| 1   | 86239120 | 41522   | 1   | HARNESS, CHARIOT PROPEL |                    |        |

# WIRING-MAIN HARNESS

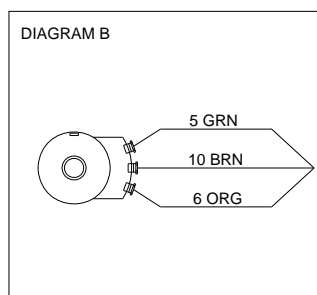
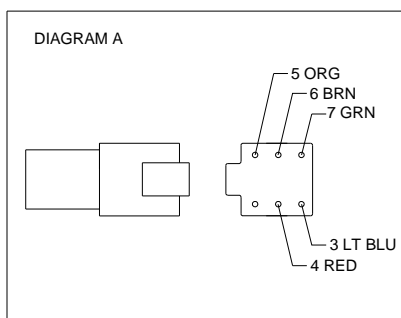
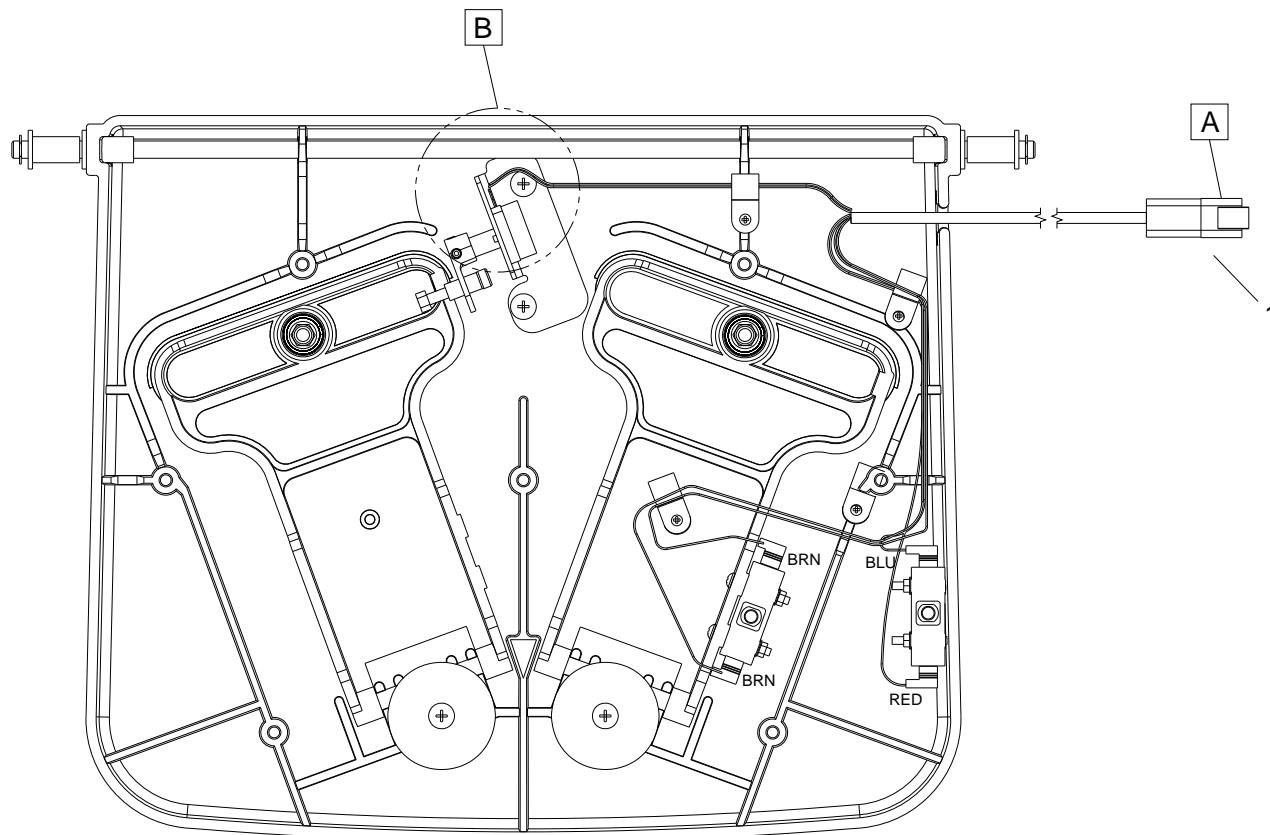


--- DENOTES OPTIONAL EQUIPMENT

## WIRING-MAIN HARNESS

| REF | PART NO. | PRV NO. | QTY | DESCRIPTION           | SERIAL NO.<br>FROM | NOTES: |
|-----|----------|---------|-----|-----------------------|--------------------|--------|
| 1   | 86239170 | 41528   | 1   | HARNESS, BRAKE        |                    |        |
| 2   | 86239240 | 41552   | 1   | HARNESS, LEVER SWITCH |                    |        |
| 3   | 86239220 | 41549   | 1   | HARNESS, I VAC, MAIN  |                    |        |

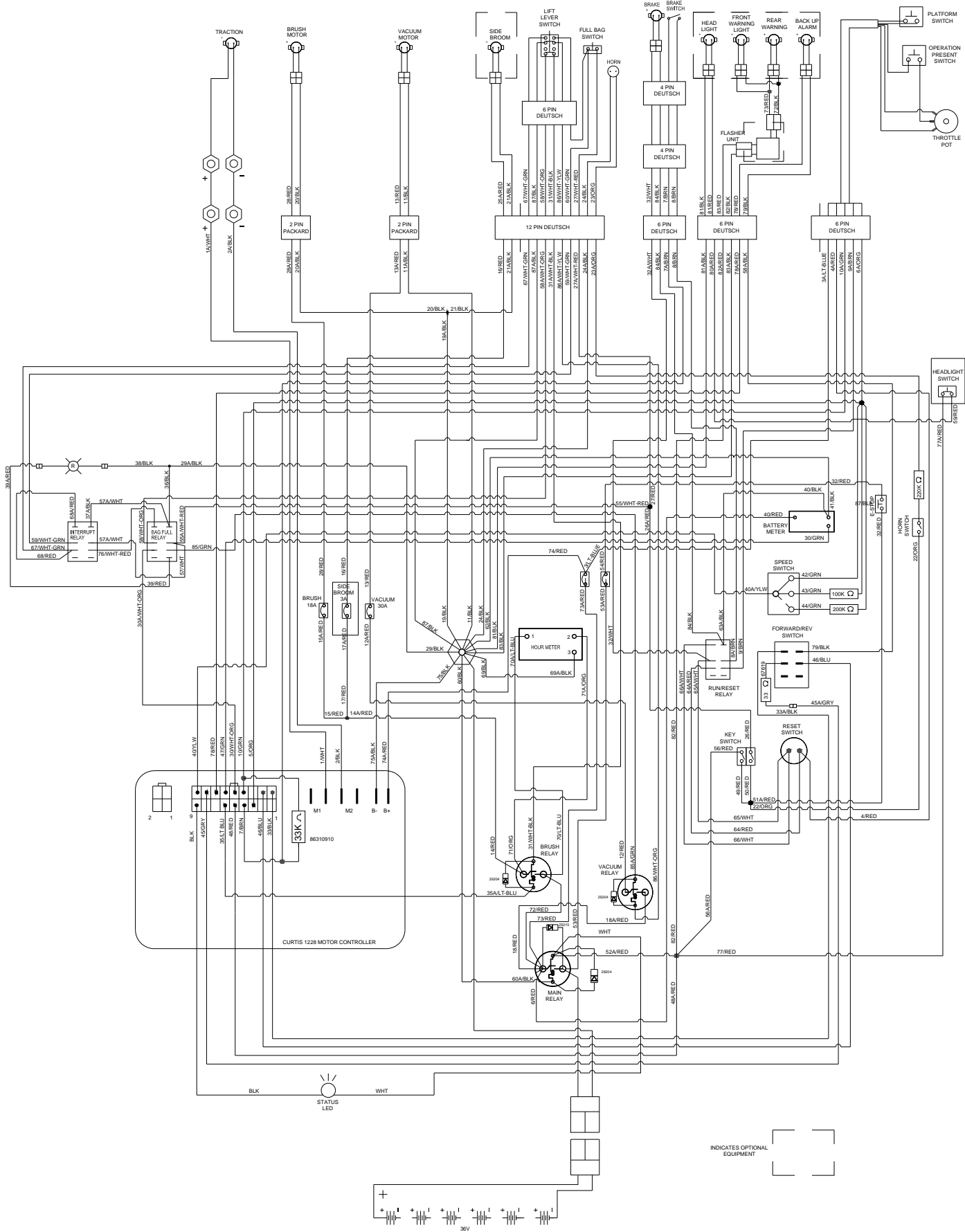
# WIRING-PEDAL PLATFORM



## **WIRING-PEDAL PLATFORM**

| REF | PART NO. | PRV NO. | QTY | DESCRIPTION            | SERIAL NO.<br>FROM | NOTES: |
|-----|----------|---------|-----|------------------------|--------------------|--------|
| 1   | 86218810 | 23717   | 1   | HARNESS, TWISTER PEDAL |                    |        |

# WIRING DIAGRAM

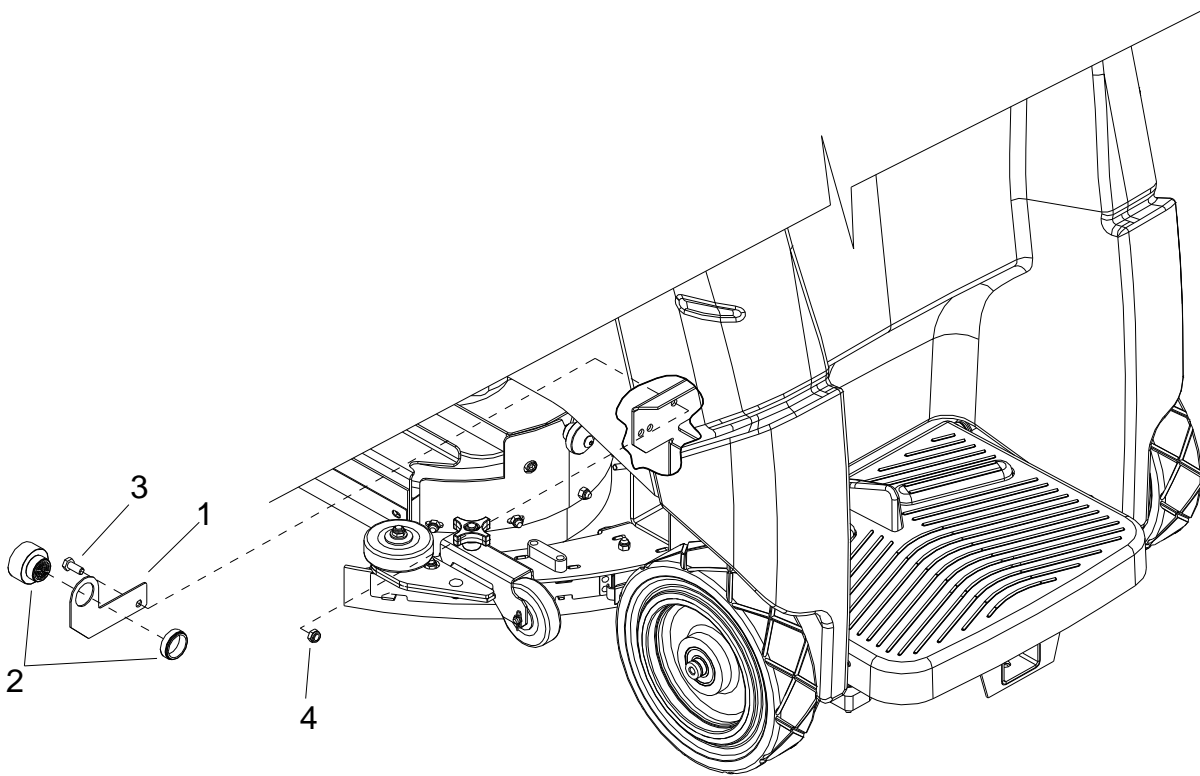




## SUGGESTED SPARE PARTS

| REF | PART NO. | PRV NO. | DESCRIPTION                      | SERIAL NO.<br>FROM | NOTES: |
|-----|----------|---------|----------------------------------|--------------------|--------|
| 1   | 86001910 | 14606   | BREAKER, 30A 50VDC CIRCUIT       |                    |        |
| 2   | 86002000 | 14717   | BREAKER, 3 AMP 1681-090-300      |                    |        |
| 3   | 86002010 | 14942   | BOOT, 3/8 CIRCUIT BREAKER        |                    |        |
| 4   | 86232130 | 17309   | CAP, 2.75 ID X 1.0 L BLACK VINYL |                    |        |
| 5   | 86004860 | 48073   | KEY, SWITCH                      |                    |        |
| 6   | 86251410 | 67506   | RELAY, 15A 36V MINI              |                    |        |
| 7   | 86007140 | 72130   | SWITCH, SPST 2-POSITION ROCKER   |                    |        |
| 8   | 86007190 | 72161   | SWITCH, DPST KEY                 |                    |        |
| 9   | 86001740 | 140816  | BRAKE, 36 VDC W/CONNECTOR        |                    |        |
| 10  | 86002730 | 270085  | CHAIN, ISO 08B 12.7 MM PITCH     |                    |        |

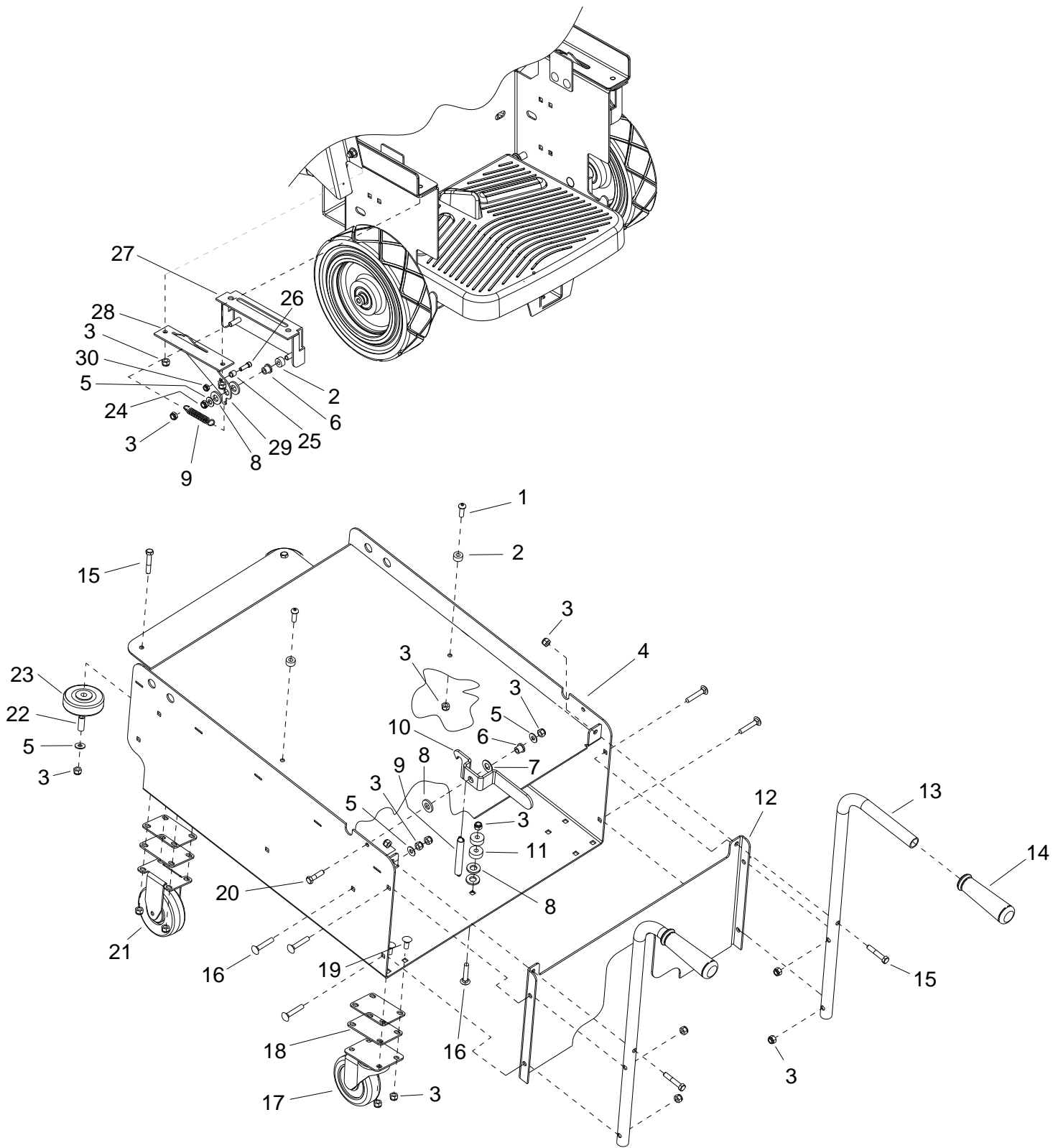
# BACK-UP ALARM - OPTION



## **BACK-UP ALARM - OPTION**

| REF | PART NO. | PRV NO. | QTY | DESCRIPTION                     | SERIAL NO.<br>FROM | NOTES: |
|-----|----------|---------|-----|---------------------------------|--------------------|--------|
| 1   | 86071140 | 140817  | 1   | BRKT, BACK UP ALARM             |                    |        |
| 2   | 86231500 | 80882   | 1   | BUZZER, PIEZO 6-28VCD           |                    |        |
| 3   | 86276780 | 70728   | 1   | SCR, 5/16-18 X 3/4 HHCS SS      |                    |        |
| 4   | 86271840 | 57285   | 1   | NUT, 5/16-18 HEX NYLOCK THIN SS |                    |        |

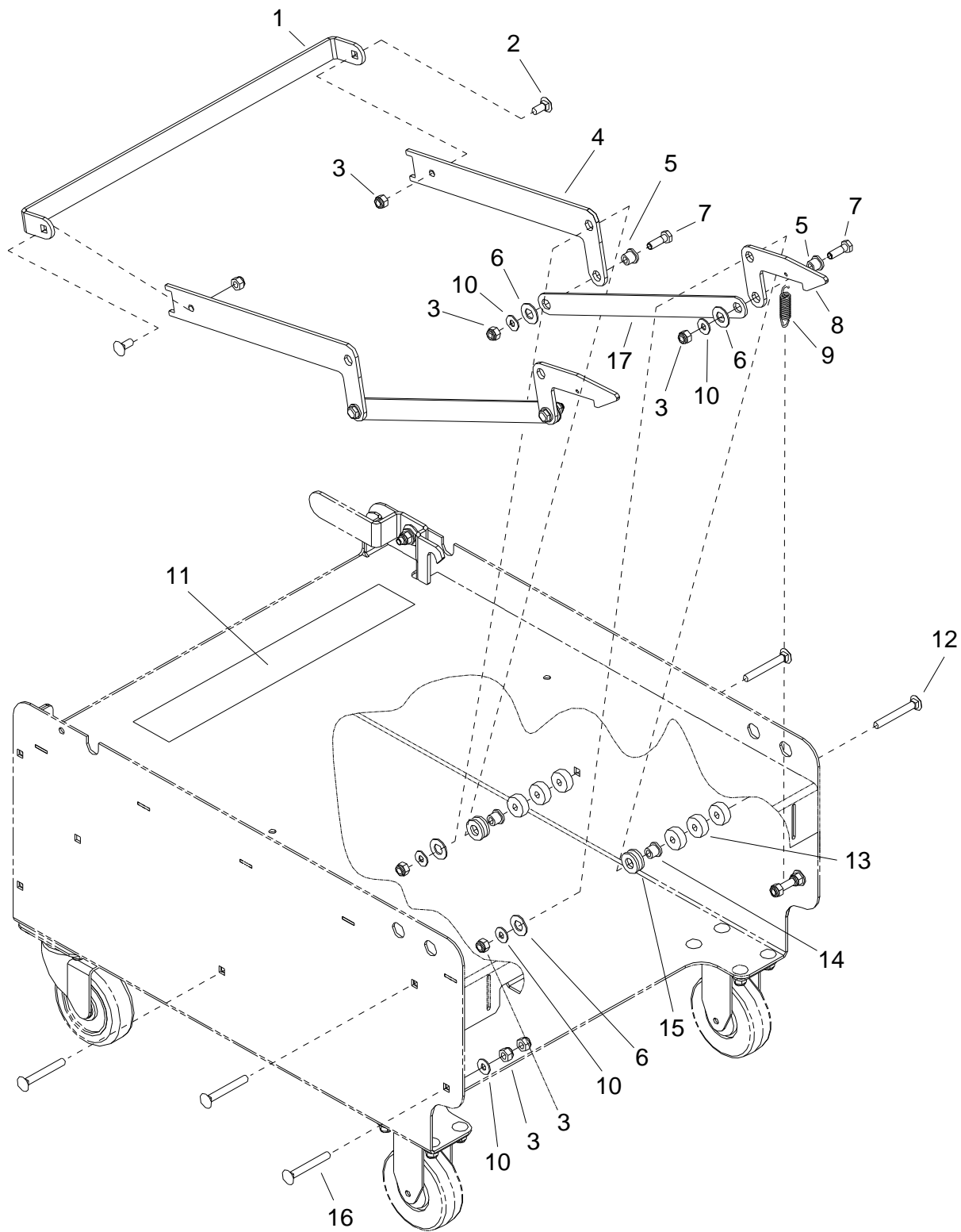
# BATTERY CART - OPTION



## BATTERY CART - OPTION

| REF | PART NO. | PRV NO. | QTY | DESCRIPTION                          | SERIAL NO.<br>FROM | NOTES: |
|-----|----------|---------|-----|--------------------------------------|--------------------|--------|
| 1   | 86006930 | 70514   | 2   | SCR, 5/16-18 X 1.00 BSHCS SS         |                    |        |
| 2   | 86254290 | 730338  | 4   | SPACER, 10D X .343ID, .5 LG          |                    |        |
| 3   | 86270830 | 57023   | 33  | NUT, 5/16-18 HEX NYLOCK SS           |                    |        |
| 4   | 86077010 | 41517   | 1   | HOUSING, BATTERY CART                |                    |        |
| 5   | 86010670 | 87029   | 7   | WASHER, 5/16 FLAT SS                 |                    |        |
| 6   | 86228840 | 09124   | 3   | BEARING, FLANGED .314D X .502OD      |                    |        |
| 7   | 86259410 | 87206   | 1   | WASHER, THRUST, .51 ID X 1 OD X .063 |                    |        |
| 8   | 86259400 | 87205   | 6   | WASHER, THRUST .51 ID X 1 ODBRO      |                    |        |
| 9   | 86254890 | 730018  | 3   | SPRING, EXT, .50D X 4.0L             |                    |        |
| 10  | 86068490 | 140019  | 1   | BRKT, TRAY CATCH                     |                    |        |
| 11  | 86254280 | 730331  | 2   | SPACER, 1.00 OD X .32 ID X .375      |                    |        |
| 12  | 86083120 | 66442   | 1   | PLATE, BATTERY CART BACK             |                    |        |
| 13  | 86076600 | 38318   | 2   | HANDLE, BATTERY CART                 |                    |        |
| 14  | 86004070 | 36196   | 2   | GRIP, POLISHER HANDEL                |                    |        |
| 15  | 86276790 | 70732   | 4   | SCR, 5/16-18 X 1.75 HHCS SS          |                    |        |
| 16  | 86276690 | 70715   | 8   | SCR, 5/16-18 X 1.75 CARR SS          |                    |        |
| 17  | 86199430 | 040-03  | 2   | CASTER SWIVEL 4" 250# CPCTY          |                    |        |
| 18  | 86078890 | 620020  | 8   | PLATE, CASTER SPACER                 |                    |        |
| 19  | 86277130 | 70795   | 16  | SCR, 5/16-18 X 1.00 CARRIAGE SS      |                    |        |
| 20  | 86007020 | 70673   | 1   | SP SCR, 5/16-18 X 1.25 HHCS SS NP    |                    |        |
| 21  | 86232590 | 18032   | 2   | CASTER, 4" HARD RUBBER RIGID         |                    |        |
| 22  | 86001350 | 140390  | 2   | BUSHING, SPANNER .435 X 1.10         |                    |        |
| 23  | 86011020 | 89202   | 2   | WHEEL, 3" DIA CUSHION RUBBER         |                    |        |
| 24  | 86271840 | 57285   | 2   | NUT, 5/16-18 HEX NYLOCK THIN SS      |                    |        |
| 25  | 86008130 | 73958   | 2   | SPACER, 3/8OD X .62W X .312L, AL     |                    |        |
| 26  | 86274730 | 70265   | 2   | SCR, 1/4-20 X 3/4 SHCS PLTD          |                    |        |
| 27  | 86070790 | 140737  | 2   | BRKT, BATTERY LOCK MOUNT             |                    |        |
| 28  | 86087340 | 730339  | 2   | SPACER, LATCH GUIDE                  |                    |        |
| 29  | 86070800 | 140738  | 2   | BRKT, BATTERY TRAY LOCK              |                    |        |
| 30  | 86271870 | 57290   | 2   | NUT, 1/4-20 HEX NYLOCK THIN SS       |                    |        |

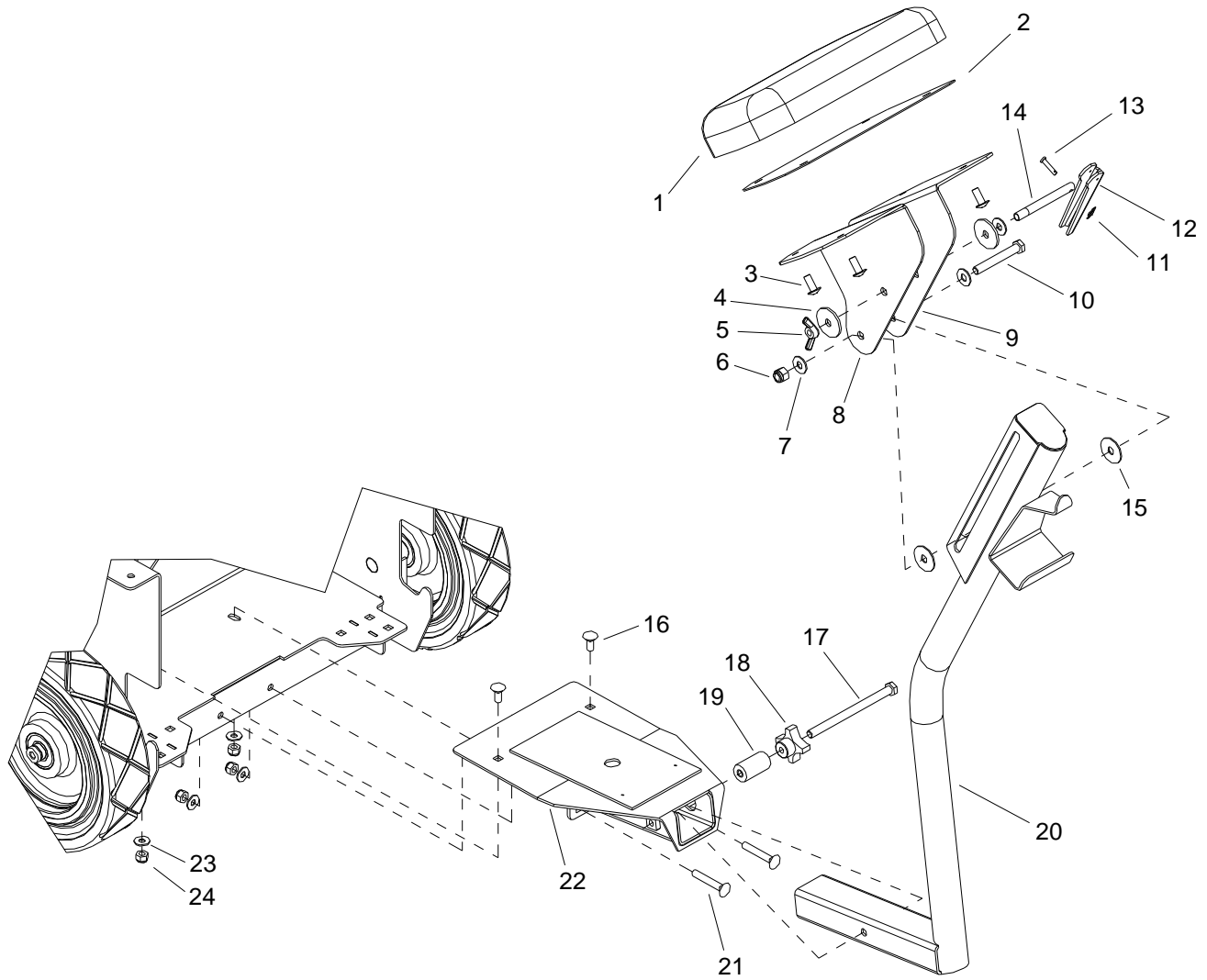
# BATTERY CART - OPTION



## BATTERY CART - OPTION

| REF | PART NO. | PRV NO. | QTY | DESCRIPTION                         | SERIAL NO.<br>FROM | NOTES: |
|-----|----------|---------|-----|-------------------------------------|--------------------|--------|
| 1   | 86078330 | 66478   | 1   | PEDAL, BATTERY CART                 |                    |        |
| 2   | 86276070 | 70593   | 2   | SCR, 5/16-18 X 3/4 CARRIAGE SS      |                    |        |
| 3   | 86270830 | 57023   | 12  | NUT, 5/16-18 HEX NYLOCK SS          |                    |        |
| 4   | 86087800 | 730307  | 2   | STIFFENER, PEDAL, BATTERY CART      |                    |        |
| 5   | 86228840 | 09124   | 4   | BEARING, FLANGED .314ID X .502OD    |                    |        |
| 6   | 86259410 | 87206   | 6   | WASHER, THRUST .51 ID X 1 OD X .063 |                    |        |
| 7   | 86006560 | 70083   | 4   | SCR, 5/16-18 X 1 HHCS SS NP         |                    |        |
| 8   | 86077140 | 51404   | 2   | LATCH, BATTERY CART                 |                    |        |
| 9   | 86226830 | 73268   | 2   | SPRING, EXT .68D X 3.00L X .098W    |                    |        |
| 10  | 86010670 | 87029   | 10  | WASHER, 5/16 FLAT SS                |                    |        |
| 11  | 86244280 | 500934  | 1   | LABEL, BATTERY CAR OPERATION        |                    |        |
| 12  | 86276060 | 70590   | 4   | SCR, 5/16-18 X 2.5 CARR GR5         |                    |        |
| 13  | 86254280 | 730331  | 12  | SPACER, 1.00 ODX .32ID X .375       |                    |        |
| 14  | 86231150 | 09151   | 4   | BUSHING FLANGE, .314 X .502 OD      |                    |        |
| 15  | 86259400 | 87205   | 8   | WASHER, THRUST .51 ID X 1 OD BRO    |                    |        |
| 16  | 86276690 | 70715   | 16  | SCR, 5/16-18 X 1.75 CARR SS         |                    |        |
| 17  | 86077530 | 51403   | 2   | LINKAGE, LATCH, BATT CART           |                    |        |

# SEAT - OPTION

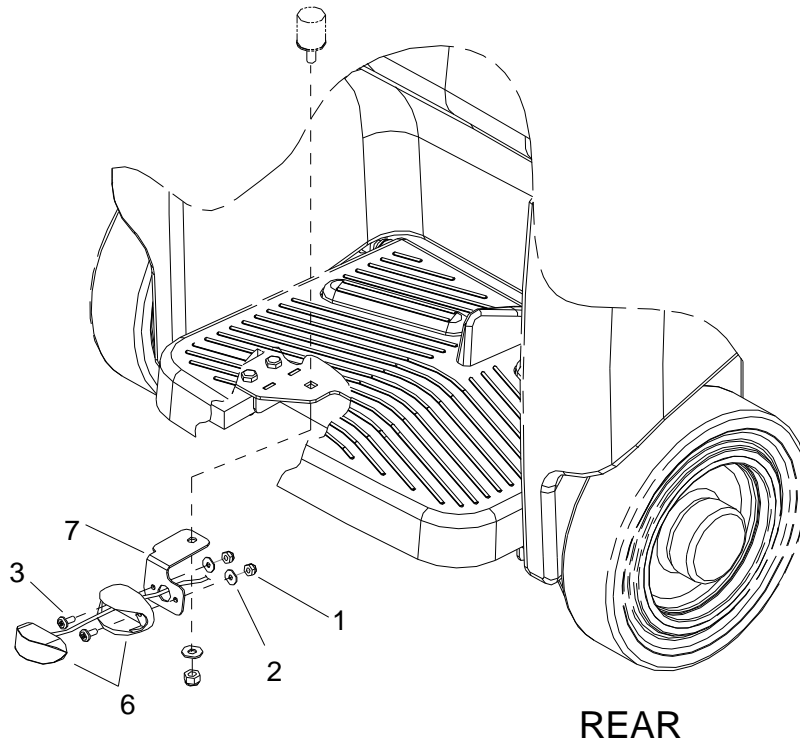
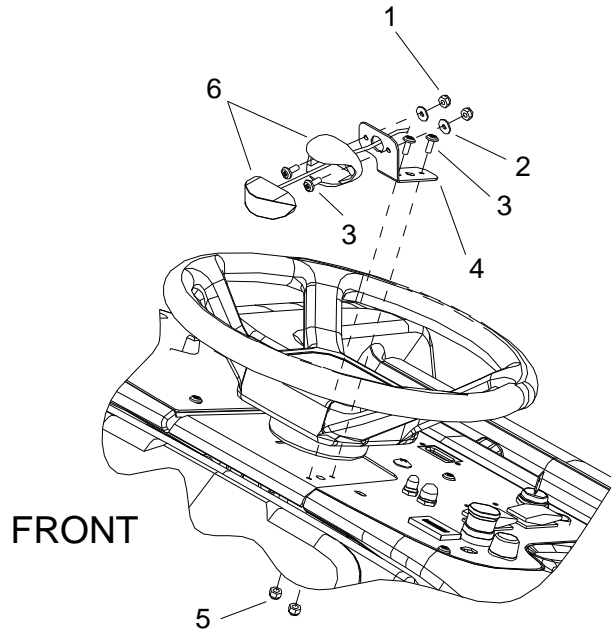




**SEAT - OPTION**

| REF | PART NO. | PRV NO.   | QTY | DESCRIPTION                    | SERIAL NO.<br>FROM | NOTES: |
|-----|----------|-----------|-----|--------------------------------|--------------------|--------|
| 1   | 86248390 | 730324    | 1   | PAD, REAR REST                 |                    |        |
| 2   | 86082640 | 629995    | 1   | PLATE, SEAT COVER              |                    |        |
| 3   | 86276890 | 70752     | 4   | SCR, 5/16-18 X 3/4 PTHMS SS    |                    |        |
| 4   | 86279460 | 87164     | 2   | WASHER, 1/2 SPLIT LOCK PLTD    |                    |        |
| 5   | 86270710 | 01-000277 | 1   | NUT, WING 3/8-16               |                    |        |
| 6   | 86271930 | 57297     | 1   | NUT, 3/8-16 HEX NYLOCK SS      |                    |        |
| 7   | 86278910 | 87003     | 3   | WASHER, 3/8 ID X 7/8 OD SS     |                    |        |
| 8   | 86070830 | 140742    | 1   | BRKT, LEFT REAR SEAT           |                    |        |
| 9   | 86070840 | 140743    | 1   | BRKT, RIGHT REAR SEAT          |                    |        |
| 10  | 86277710 | 730347    | 1   | SCR, 3/8-16 X 2.75 HHCS SS     |                    |        |
| 11  | 86008650 | 80604     | 1   | COTTER, 1/4" RING              |                    |        |
| 12  | 86246320 | 51142     | 1   | LEVER, HANDLE LOCK             |                    |        |
| 13  | 86272300 | 66133     | 1   | PIN, CLEVIS 3/16 X .88 PLTD    |                    |        |
| 14  | 86251860 | 66481     | 1   | ROD, ARM HANDLE LOCK 4" LG     |                    |        |
| 15  | 86279620 | 87200     | 2   | WASHER, .41D X 1.3OD NYLON     |                    |        |
| 16  | 86276070 | 70593     | 2   | SCR, 5/16-18 X 3/4 CARRIAGE SS |                    |        |
| 17  | 86277510 | 70857     | 1   | SCR, 3/8-16 X 5.0 HHCS SS FT   |                    |        |
| 18  | 86009200 | 81535     | 1   | KNOB, 3/8-16 4 PRONG ALUM      |                    |        |
| 19  | 86254300 | 730350    | 1   | SPACER, SEAT LOCK              |                    |        |
| 20  | 86094000 | 05246     | 1   | SEAT MOUNT POST                |                    |        |
| 21  | 86276710 | 70717     | 2   | SCR, 5/16-18 X 2.0 CARRIAGE SS |                    |        |
| 22  | 86093790 | 05247     | 1   | RECEIVER ASSY, SEAT MOUNT      |                    |        |
| 23  | 86010670 | 87029     | 4   | WASHER, 5/16 FLAT SS           |                    |        |
| 24  | 86270830 | 57023     | 4   | NUT, 5/16-18 HEX NYLOCK SS     |                    |        |

# WARNING LIGHTS - OPTION



## WARNING LIGHTS - OPTION

| REF | PART NO. | PRV NO. | QTY | DESCRIPTION                   | SERIAL NO.<br>FROM | NOTES: |
|-----|----------|---------|-----|-------------------------------|--------------------|--------|
| 1   | 86270990 | 57090   | 4   | NUT, 10-32 HEX NYLOCK SS      |                    |        |
| 2   | 86010650 | 87018   | 4   | WASHER, #10 X 9/16 OD         |                    |        |
| 3   | 86276820 | 70740   | 4   | SCR, 10-32 X 1/2 PTHMS BLK NP |                    |        |
| 4   | 86071490 | 140871  | 1   | BRKT, UPPER WARNING LIGHT     |                    |        |
| 5   | 86270990 | 57090   | 2   | NUT, 10-32 HEX NYLOCK SS      |                    |        |
| 6   | 86246200 | 51454   | 2   | LED AMBER LIGHT, 12V          |                    |        |
| 7   | 86071500 | 140872  | 1   | BRKT, LOWER WARNING LIGHT     |                    |        |

## SERIAL NUMBERS

| REF. NO. | MODEL: SERIAL #   |
|----------|---|
| 1        | CV28, CVE28, CVX28, CVXE28, CVXCD28: 10125210000022   |
| 2        | CV28, CVE28, CVX28, CVXE28, CVXCD28: 1000160104   |
| 3        | CV28, CVE28, CVX28, CVXE28, CVXCD28: 1000166771   |
| 4        | CV28, CVE28, CVX28, CVXE28, CVXCD28: 1000168552   |
| 5        | CV28, CVE28, CVX28, CVXE28, CVXCD28: 1000165165   |
| 6        | CV28, CVE28, CVX28, CVXE28, CVXCD28: 1000157499   |
| 7        | CV28, CVE28, CVX28, CVXE28, CVXCD28: 1000157501   |
| 8        | CV28, CVE28, CVX28, CVXE28, CVXCD28: 1000160235   |
| 9        | CV28, CVE28, CVX28, CVXE28, CVXCD28: 10060210000104   |
| 10       | CV28, CVE28, CVX28, CVXE28, CVXCD28: 1000160355   |
| 11       | CV28, CVE28, CVX28, CVXE28, CVXCD28: 1000158030   |
| 12       | CV28: 1062526000009, CVE28: 10125136000009, CVXE28: 1012518000015, CVX28: 1012519000329, CVX28X: 1012521000082, CV28X: 10125280000007, CVXCD28: 1012551000001 |