

CLEAR ICE MODELS
CLEAR ICE COMBO MODELS
ICE COMBO MODELS



CLRCO2175



CO2175



CO1175



CO29



CLR2160

I Table of Contents

Safety Precautions	
Safety Alert Definitions.....	1
General Precautions	1
Inspect & Plan	
Product Registration	2
Product Description	2
Tools / Material Required	2
Exterior Cleaning	2
Black and White Models:.....	2
Stainless Models:.....	2
Prepare Site	
Cut-Out Dimensions.....	3
(CLR)CO21 & CO11 Series.....	3
CLR2160 Series.....	3
CO29 Series.....	3
Product Dimensions	
All Models	4
Door Swing Dimensions	
Other Site Requirements.....	5
Side-By-Side Installation.....	5
Power Supply	5
Water Supply	5
Drain	5
Environmental Requirements.....	5
Standard Doors	
Door Alignment and Adjustment.....	6
Door Reversability.....	6
Reversing the door	6
Self-Closing Doors	
Door Alignment and Adjustment.....	8
Door Reversability.....	8
Reversing the door	8
Door Panel Installation	
Custom 1/4" Thick Door Panel Insert.....	10
Door Panel Preparation.....	10
Panel Dimensions.....	10
Door Panel Installation	10
Prepare Power Supply	
Electrical Specifications	11
Receptacle Location	11
Prepare Plumbing	
Water Supply Connection	12
Drain Connection (CLR2160 CLRCO2175).....	12
Gravity Drain	12
Factory-Installed Drain Pump.....	13
Locally-Installed Drain Pump.....	14
Final Water Connection:.....	14
Level The Unit	
Leveling Information	15
Install the Unit	
Installation.....	15
Relocating the Shelves.....	15
Installation Troubleshooting.....	16

2 Safety Precautions

IMPORTANT

- **PLEASE READ** all instructions before installing, operating, or servicing the appliance.
- Proper installation procedures must be followed when completing an installation or relocation of a unit. Consult the installation guide before any installation begins. U-Line contact information appears on the rear cover of this guide.
- This unit requires connection to a dedicated 15 Amp grounded (three-prong), polarized receptacle, installed by a qualified electrician, compliant with applicable electrical codes.

Safety Alert Definitions

Throughout this guide are safety items labeled with a Danger, Warning or Caution based on the risk type:

DANGER

Danger means that failure to follow this safety statement will result in severe personal injury or death.

WARNING

Warning means that failure to follow this safety statement could result in serious personal injury, property or equipment damage.

CAUTION

Caution means that failure to follow this safety statement may result in minor or moderate personal injury, property or equipment damage.

General Precautions

Use this appliance for its intended purpose only and follow these general precautions with those listed throughout this guide:

DANGER

RISK OF CHILD ENTRAPMENT. Before you throw away your old refrigerator or freezer, take off the doors and leave shelves in place so children may not easily climb inside.

WARNING

SHOCK HAZARD - Electrical Grounding Required.

- Never attempt to repair or perform maintenance on the unit until the electricity has been disconnected.
- Never remove the round grounding prong from the plug and never use a two-prong grounding adaptor.
- Altering, cutting of power cord, removal of power cord, removal of power plug, or direct wiring can cause serious injury, fire and or loss of property and or life, and will void the warranty.
- Never use an extension cord to connect power to the unit.
- Always keep your working area dry.

WARNING

Install provided Anti-Tip kit on all Wine Captain Models and Beverage Centers. Serious personal injury could occur.

CAUTION

- Use care when moving and handling the unit. Use gloves to prevent personal injury from sharp edges.
- If your model requires defrosting, **DO NOT** use an ice pick or other sharp instrument to help speed up defrosting. These instruments can puncture the inner lining or damage the cooling unit. **DO NOT** use any type of heater to defrost. Using a heater to speed up defrosting can cause personal injury and damage to the inner lining.

IMPORTANT

- Do not lift unit by door handle.
- Never install or operate the unit behind closed doors. Be sure front grille is free of obstruction. Obstructing free airflow can cause the unit to malfunction and will void the warranty.
- Failure to clean the condenser every six months can cause the unit to malfunction. This could void the warranty.
- Allow unit temperature to stabilize for 24 hours before use.
- Do not Block any internal Fans

Use only genuine U-Line replacement parts. Imitation parts can damage the unit, affect its operation or performance and may void the warranty.



Product Registration

You have received a carton containing your U-Line Clear Ice, Ice or Ice Combo unit with a package inside containing a Use and Care Guide, a Product Registration Card, and a water line kit. Please complete and mail the Product Registration Card or register online at www.U-LineService.com. Once your unit is installed, keep the Use and Care Guide and this Installation Guide in a safe place for future reference.

Product Description

This installation guide covers the following models.

U-CLR2160B-00	U-CLR2160B-40	U-CLRCO2175S-00	U-CLRCO2175S-01
U-CLR2160S-00	U-CLR2160S-01	U-CLRCO2175S-40	U-CLRCO2175S-41
U-CLR2160S-40	U-CLR2160S-41	U-CO1175B-00	U-CO1175S-00
U-CLR2160SOD-00	U-CLR2160SOD-01	U-CO1175S-01	U-CO2175FB-00
U-CLR2160SOD-40	U-CLR2160SOD-41	U-CO2175FS-00	U-CO2175FS-01
U-CLR2160W-00	U-CLR2160W-40	U-CO2175FW-00	U-CO29B-00
U-CLRCO2175B-00	U-CLRCO2175B-40	U-CO29FB-00	U-CO29FWH-00

Inspection

Unwrap and inspect the unit on a flat, level surface capable of supporting it's entire weight. If necessary remove protective film from Stainless Steel models.

Tools / Material Required

- Screwdrivers — slotted and Phillips head
- 1/4-inch thick door panel material and cutting tools (If installing a 1/4" Panel)
- 1/4" Nut Driver
- 5/16" Nut Driver
- Side Cutter
- Copper tubing cutter
- 12" Level
- 9/16" Open end wrench
- 7/16" Open end wrench
- Pliers
- Copper tubing

CO2175 Models Only

- Full Overlay Door Panel Kit. Part number U-OL2175B (black units) U-OL2175W (white units)

A complete water hook up kit is also available for purchase from your dealer. Order U-Line Part No. WATERHOOKUP.

Exterior Cleaning

Black and White Models:

- Black and White surfaces may be cleaned with a mild detergent and warm water solution. Do not use solvent-based or abrasive cleaners. Use a soft sponge and rinse with clean water. Wipe with a soft, clean towel to prevent water spotting.

Stainless Models:

- Stainless door panels, handles and frames can discolor when exposed to chlorine gas, pool chemicals, salt water or cleaners with bleach.
- Keep your Stainless unit looking new by cleaning with a good quality all-in-one stainless steel cleaner/polish on a monthly basis. For best results use Claire Stainless Steel Polish and Cleaner, which can be purchased from U-Line Corporation (Part numbers 173348). Frequent cleaning will remove surface contamination that could lead to rust. Some installations may require cleaning on a weekly basis.
- **Do not clean with steel wool or abrasive pads.**
- **Do not use cleaners that are not specifically intended for stainless steel on stainless surfaces (this includes glass, tile and counter cleaners).**
- If any surface discolors or rust appears, clean it quickly with Bon-Ami or Barkeepers Friend Cleanser and a non-abrasive cloth. Always clean in the direction of the grain. Always finish this process with Claire Stainless Steel Polish and Cleaner or comparable product to prevent further problems.



Rust that is allowed to linger can penetrate into the surface of the stainless steel and complete removal of the rust may not be possible.

4 Prepare Site

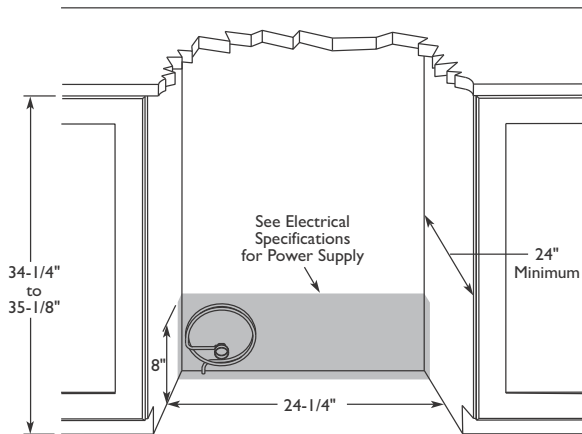
Your U-Line product has been designed for either free-standing or built-in installation. When built-in, your unit does not require additional air space for top, sides, or rear. However, the front grille must NOT be obstructed and clearance is required for an electrical connection in the rear.

IMPORTANT

- Unit can NOT be installed behind a closed cabinet door.
- If you would like to align the face of the unit with other adjacent cabinet doors, you may need to alter the wall just behind the drain connection on the unit to accommodate the drain.

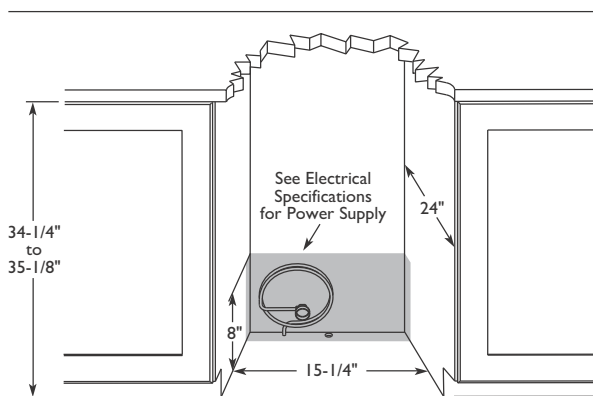
Cut-Out Dimensions

(CLR)CO21 & CO11 Series



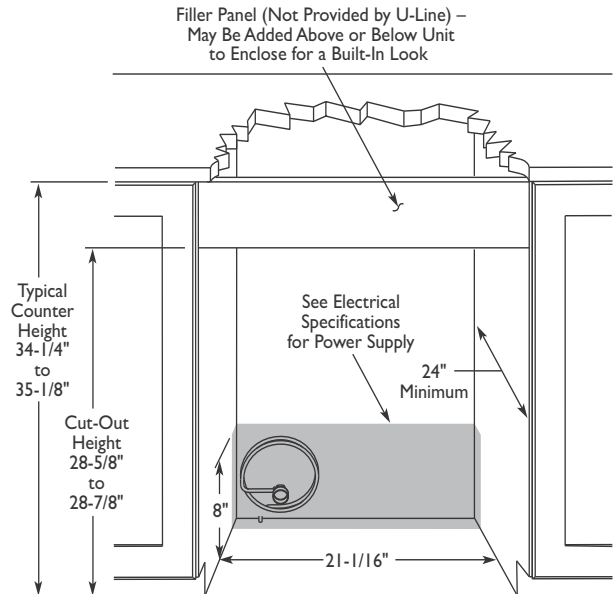
Follow the cut-out drawing. The 24-1/4" width allows 1/4" for ease in installation and removal of the unit. 24" is the cabinet depth in most installations.

CLR2160 Series



Follow the cut-out drawing. The 15-1/4" width allows 1/4" for ease in installation and removal of the unit. 24" is the cabinet depth in most installations.

CO29 Series



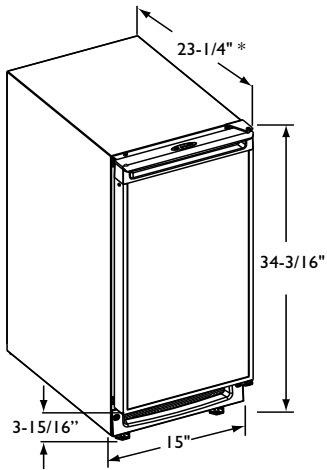
Follow the cut-out drawing. The 21-1/16" width allows 1/4" for ease in installation and removal of the unit. 24" is the counter depth in most installations. The unit is 24" deep including the door and handle.

IMPORTANT

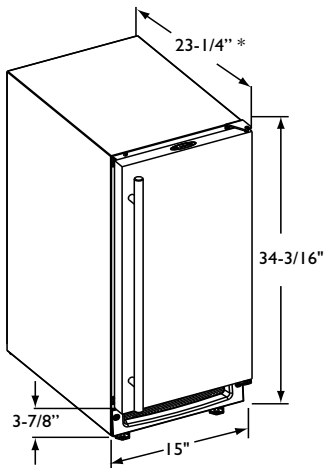
It is extremely important that this unit sits on a level surface, as it does not have feet levelers. If it is not level, the ice mold will not fill evenly.

5 Product Dimensions

CLR2160 Series

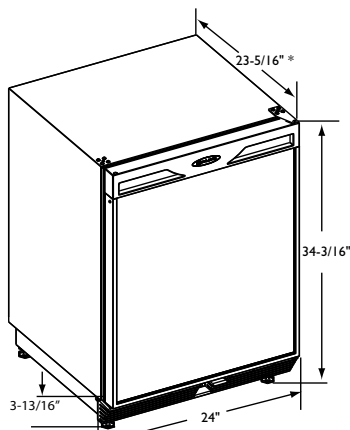


Black and White
*Add 3/4" To Depth For Drain Line Clearance



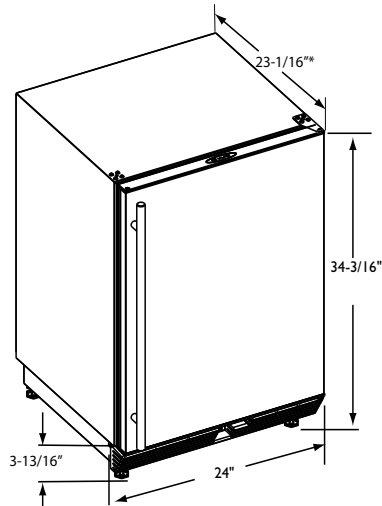
Stainless Steel
*Add 3/4" To Depth For Drain Line Clearance

CO1175 Series



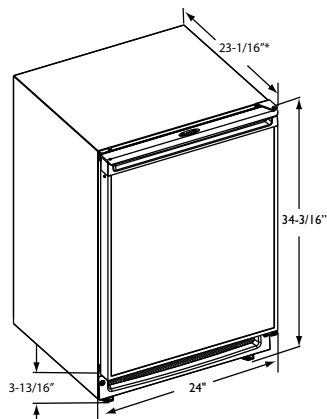
BLACK CO1175
*Add 3/16" to Depth For Water Line Clearance

CO1175 Series

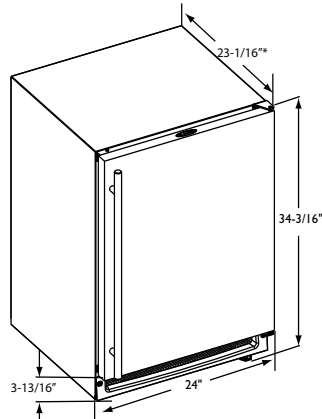


STAINLESS CO1175
*Add 3/16" to Depth For Water Line Clearance

CO2175 Series

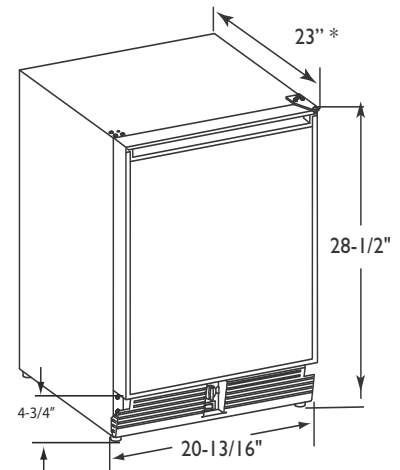


Black and White
*Add 3/16" To Depth For Water Line Clearance



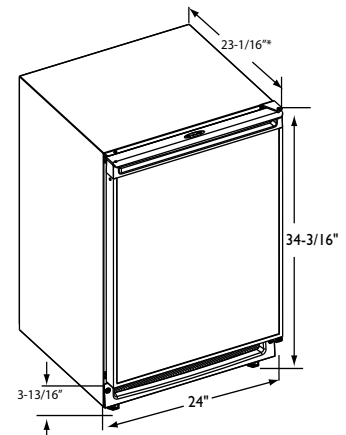
Stainless Steel
*Add 3/16" To Depth For Water Line Clearance

CO29 Series

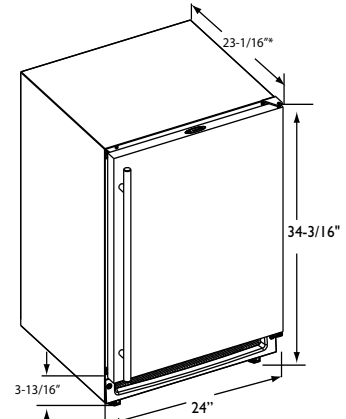


*Add 15/16" To Depth For Water Line Clearance

CLRCO2175 Series



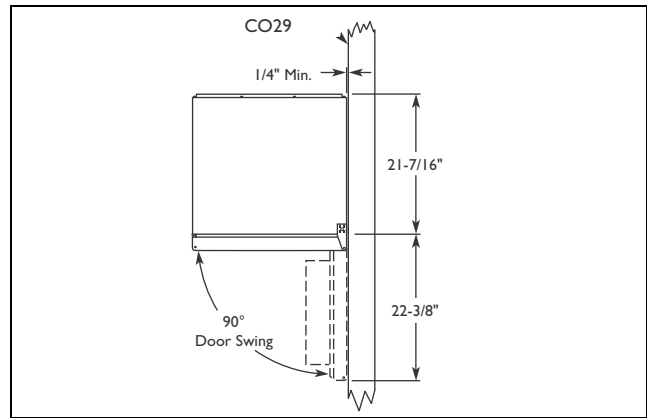
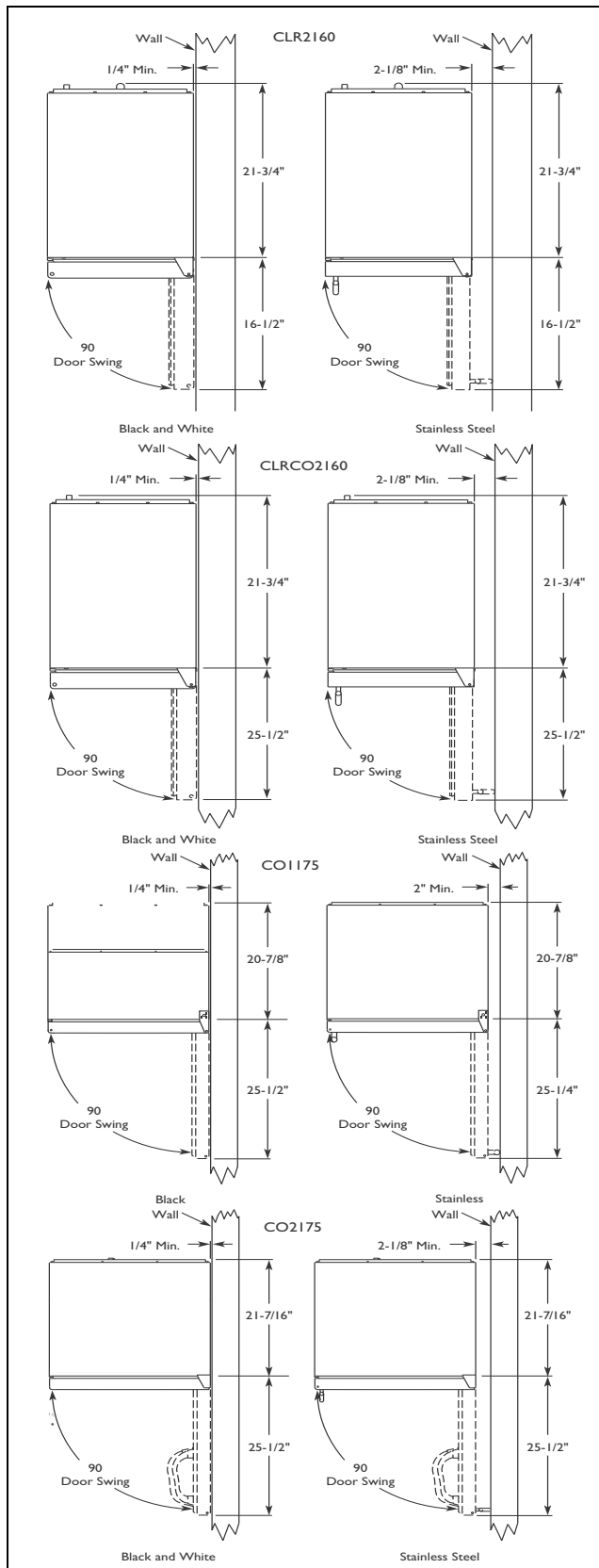
Black and White
*Add 3/4" To Depth For Water Line Clearance



Stainless Steel
*Add 3/4" To Depth For Water Line Clearance

6 Door Swing Dimensions

All units have a zero clearance for the door to open 90°. U-Line recommends a minimum door clearance of 2" to accommodate the handle if the unit is installed next to a wall.



Other Site Requirements

Side-By-Side Installation

For a complete refreshment center, install two units side by side:

Cut-out width for a side-by-side installation is the total of the widths listed under Cut-Out Dimensions in each unit's Installation Guide.

No trim kit is required. However, 1/4-inch space needs to be maintained between the units to ensure unobstructed door swing.

Units must operate from separate, properly grounded electrical receptacles placed according to each unit's Electrical Specifications Requirements

Power Supply

The unit requires a grounded and polarized 115 VAC, 60 Hz, 15A circuit (normal household current). See Electrical Specifications.

Water Supply

The unit requires a 1/4" O.D. soft copper supply line, or flexible water supply kit from U-Line (Part No. WATERHOOKUP).

Drain

The CLR2160 & CLRCO2175 require access to either a gravity or pump fed drain.

Environmental Requirements

The units are designed to operate between 50°F (10°C) and 100°F (37°C). High ambient temperatures (100°F [37°C] or higher) may reduce the unit's ability to reach low temperatures and may also reduce the ice production rate for those models with ice makers.

If the ambient temperature is expected to drop below 45°F (7°C), drain all water from the unit to prevent freezing damage, which is not covered by the warranty.

For best performance, keep the unit out of direct sunlight and away from heat generating equipment.

For best performance and life outdoors, place under a counter or provide shelter of some kind.

In climates where high humidity and dew points are present, condensation may appear on outside surfaces. This is considered normal. The condensation will evaporate when the humidity drops.

7 Standard Doors

Door Alignment and Adjustment

Align and adjust the door if it is not level, or is not sealing properly. If the door is not sealed the unit may not cool properly, or excessive frost may form in the interior.

IMPORTANT

Properly aligned, the door's gasket should be firmly in contact with the cabinet all the way around the door (no gaps). Carefully examine the door's gasket to assure that it is firmly in contact with the cabinet. Also make sure the door gasket is not pinched on the hinge side of the door.

To align and adjust the door:

1. Loosen (do not remove) top and bottom hinge screws.
2. Align door squarely with cabinet.
3. Make sure gasket is firmly in contact with cabinet all the way around the door (no gaps).
4. Tighten bottom hinge screws.
5. Tighten top hinge screws.

Door Reversability

Location of the unit may make it desirable to mount the door on the opposite side of the cabinet.

Models with black and white doors are field-reversible.

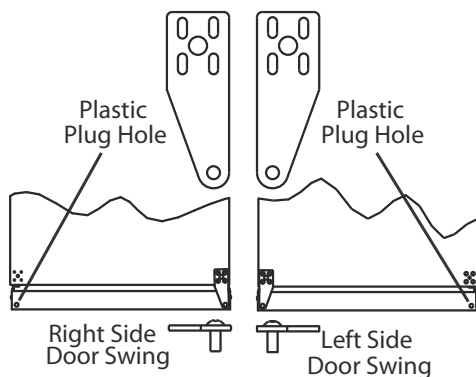
Stainless steel models with glass doors without locks are field-reversible.

Stainless steel models without glass doors must be ordered right- or left-hand hinged.

Reversing the door

The Hinge hardware will be removed and reinstalled on the opposite side of the cabinet.

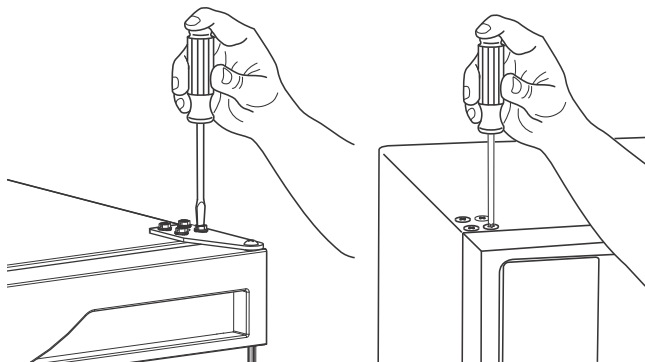
The hinge plate is flipped over when it is reinstalled on the opposite side of the cabinet.



To reverse the door:

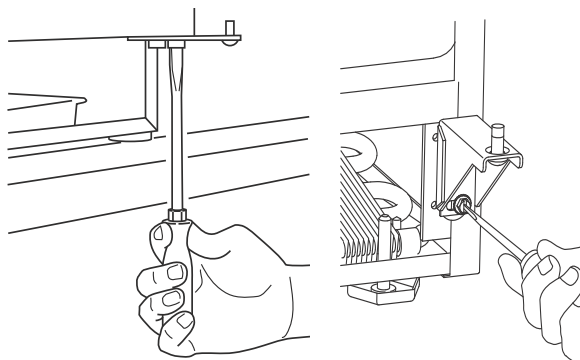
Remove grille:

Remove the grille see MAINTENANCE section of this guide.



Remove top hinge, and door:

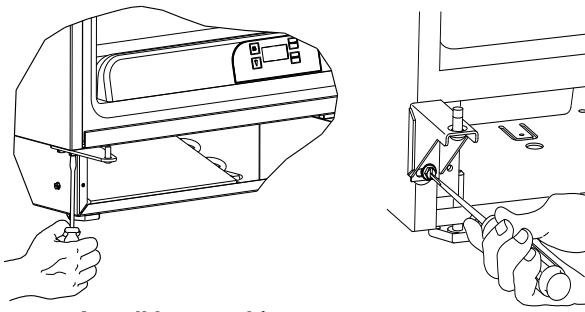
1. Hold door to keep it from falling.
2. Remove top hinge from cabinet by removing three or four screws, depending on model.
3. Remove door by tilting forward and lifting door off bottom hinge.
4. Remove three or four plastic screw plugs from hinge holes on the opposite side. Reinstall into holes where the hinge was



removed. Ensure not to scratch cabinet.

Remove bottom hinge:

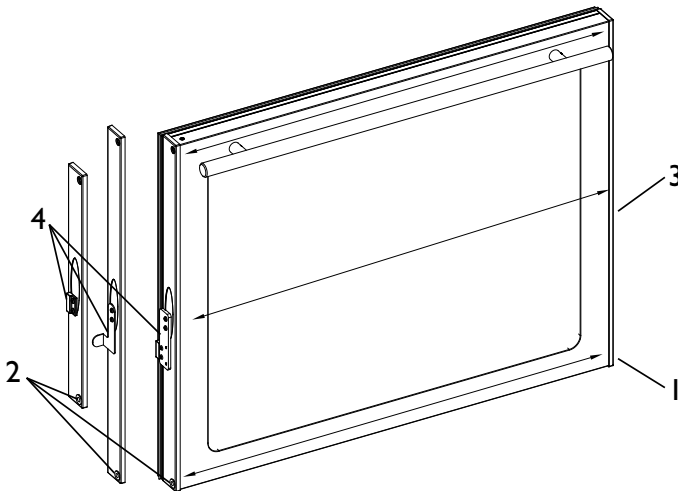
1. Remove bottom hinge from cabinet. Some models will have a gusset with two screws. Other models will have a plate with three screws.
2. Remove corresponding screws on opposite side of cabinet. On



Install bottom hinge:

1. If you have a plate hinge, reorient the pivot screw so it protrudes the opposite direction from the hinge. Remove the pivot screw from the hinge. Turn the plate over and reinstall the screw.
2. Align hinge outer edge with cabinet. For models with a plate hinge, the flat edge of the hinge aligns with the outer edge of the cabinet.

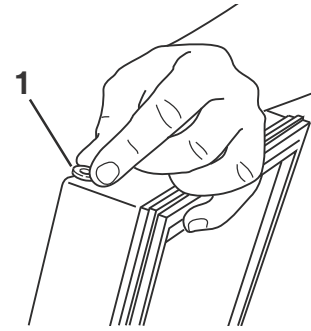
Install two or three screws, depending on model. Replace nuts if used.



Prepare door for reinstallation:

For stainless steel models with glass doors:

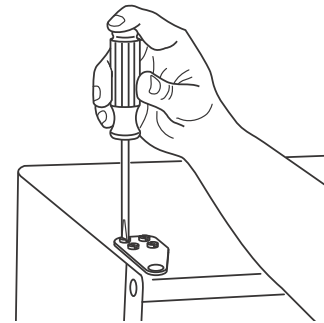
3. Stainless glass doors are flipped upside down to be reversed.
4. Lay the door on it's side. Remove the plastic hole plug (1) and install in the corner opposite of where it was removed.
5. Remove the plastic hinge bushing (2) and install in the corner opposite of where it was removed.
6. Remove the U-Line nameplate (3) from door. This will reveal mounting holes for the door actuator bracket.
7. Remove door actuator (4) from door. Be sure to only remove the two screws holding the actuator to the door. Reinstall the actuator (4) on the opposite end of the door where the nameplate was removed.
8. Install new nameplate where the actuator assembly was removed.
9. Install screws into holes on opposite side, where the hinge was removed. Replace nuts if used.



Prepare door for reinstallation:

For black or white doors:

1. Remove plastic hole plug from top of door handle and reinstall on opposite side.
2. Remove plastic hinge bushing on bottom of door and reinstall on opposite side. Clean out bushing hole in door bottom with a screwdriver if necessary.



Install top hinge, and door:

1. Reorient the pivot screw so it protrudes the opposite direction from the hinge. Remove the pivot screw from the hinge. Turn the plate over and reinstall the screw.
2. Hold door to keep it from falling.
3. Lift the door on to the bottom hinge.
4. Align flat edge of the hinge with the outer edge of the unit.
5. Install three or four screws, depending on model.

Align and adjust the door:

1. Align and adjust the door, see DOOR ALIGNMENT AND ADJUSTMENT above.

Install grille:

Install the grille, see MAINTENANCE section of this guide.

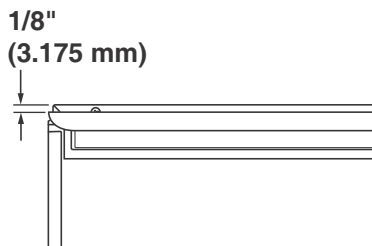
8 Self-Closing Doors

Door Alignment and Adjustment

Align and adjust the door if it is not level, or is not sealing properly. If the door is not sealed the unit may not cool properly, or excessive frost may form in the interior.

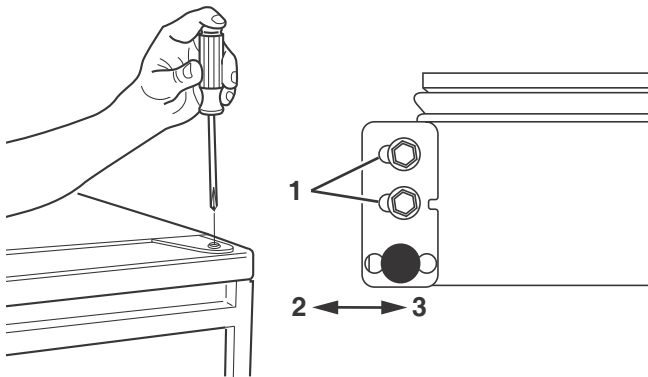
IMPORTANT

- Properly aligned, the door's gasket should be firmly in contact with the cabinet all the way around the door (no gaps). Carefully examine the door's gasket to ensure that it is firmly in contact with the cabinet. Also make sure the door gasket is not pinched on the hinge side of the door.
- The door will not be flush with the top of the cabinet. The top edge of the door will be 1/8 in. (3.175 mm) below the cabinet top.

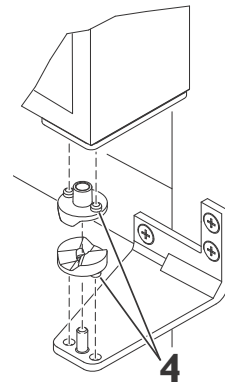


To align and adjust the door:

1. Compare the top edge of the door (opposite the hinges) to the top edge of the cabinet and note the type (up or down) of adjustment needed.



2. Remove the top hinge pivot pin with a Phillips screwdriver and lift door off bottom hinge pin. Be careful not to lose the door closer insert sets.
3. Turn the door upside down and inspect the hinge plate mounting holes. The plate has slotted mounting holes. Loosen but do not remove the two hinge plate screws(1).
4. If door edge opposite the hinges needs to move up, move plate toward outside of door(2). If door edge needs to move down, move plate toward inside of door(3). Repeat until top edge of door is parallel with top of cabinet and tighten screws (1) securely.



5. After adjustment is complete, remove the door closers from the bottom hinge, clean thoroughly and apply petroleum jelly to the mating surfaces of the closers. Be sure that pins on closers align with holes in the door and bottom cabinet hinge plates. Mount door and install top hinge pivot pin.

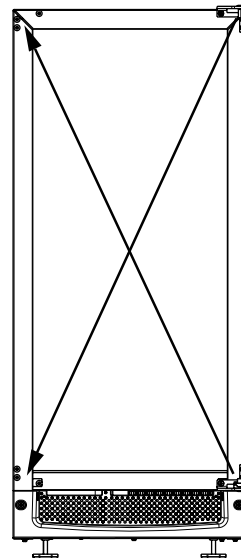
Door Reversability

Location of the unit may make it desirable to mount the door on the opposite side of the cabinet.

Models with black and white doors are field-reversible.

Stainless steel models must be ordered right- or left-hand hinged.

Reversing the door

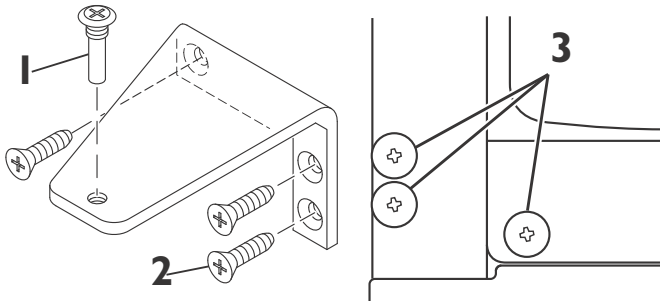


The Hinge hardware will be removed and reinstalled on the opposite side of the cabinet.

The top hinge hardware will be reinstalled on the bottom of the opposite side of the cabinet.

The bottom hinge hardware will be reinstalled on the top of the opposite side of the cabinet.

To reverse the door:



Remove door:

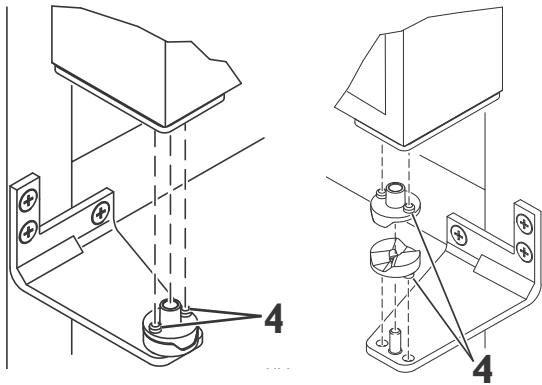
1. Hold door to keep it from falling.
2. Remove hinge screw pin (1) from top hinge using a Phillips screwdriver.
3. Remove door by tilting forward and lifting door off bottom hinge closer inserts.
4. Reinstall hinge screw pin (1) into top hinge using a Phillips screwdriver.

Remove hole plugs.

Remove plastic screw plugs (three each, top and bottom) (3) from new hinge location. Save for reinstallation later.

Remove existing top hinge.

Remove existing top hinge (three screws) (2).



Reinstall hinge to bottom opposite.

1. Install the hinge just removed from the top to the BOTTOM opposite side of the cabinet (three screws) (2).
2. Remove the two door closer inserts (4) from the existing bottom hinge.
3. Install door closer inserts as shown on the new bottom hinge (4).

Remove existing bottom hinge.

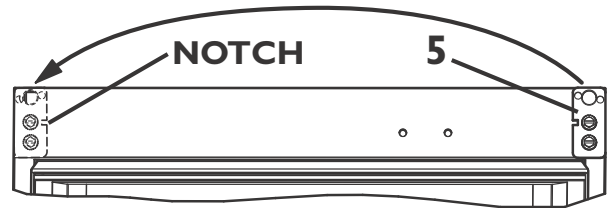
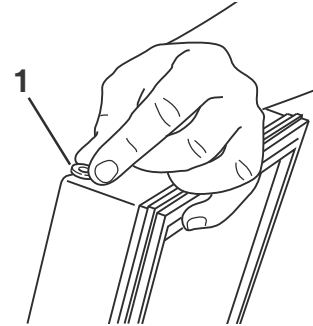
Remove the existing bottom hinge (three screws) (2).

Reinstall hinge to top opposite.

Install the hinge just removed from the bottom to the TOP opposite side of the cabinet (three screws) (2).

Reinstall Hole Plugs.

Install plastic screw plugs (three each, top and bottom) (3) into holes where hinge hardware was removed.



Prepare door for reinstallation.

1. Remove plastic hole plug from top of door handle and reinstall on opposite side.
2. With bottom of door facing up, remove pivot plate (5) (two screws).
3. Flip over and install pivot plate on opposite side of door. Ensure notch in plate faces center.

Install Door.

1. Hold door upright and tilted forward.
2. Lift door on to bottom hinge closer inserts.
3. Tilt door forward into position.
4. Hold door to keep it from falling.
5. Reinstall hinge screw pin (1) into top hinge using a Phillips screwdriver.

Align and adjust the door:

Align and adjust the door, see DOOR ALIGNMENT AND ADJUSTMENT above.

9 Door Panel Installation

Custom 1/4" Thick Door Panel Insert

Door Panel Preparation

A custom door panel may be inserted into the doorframe. Custom door panels can be flat or raised, as long as the maximum panel thickness, when inserted into the door reveal (channel), is no more than 1/4" thick. For raised panels, the depth of the reveal is 1/4" on all four sides.

IMPORTANT

Raised panels will reduce the door's 90° swing/zero clearance if the unit is installed next to a wall or similar type of structure.

Panel Dimensions.

The door panel must not weigh more than 20 lbs.

Model	Width	Height
CLRCO2175	23 1/32"	27 11/16"
CLR2160	14 1/32"	27 11/16"
CO1175	22 15/16"	26 15/16"
CO29	19 13/16"	21 13/32"
CO2175	23 1/32"	27 11/16"

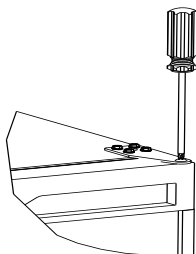
Door Panel Installation

Install the insert as follows:

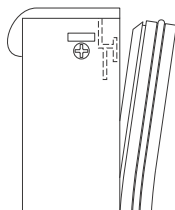
⚠ CAUTION

Use care when handling the insert. Insert edges may be sharp.

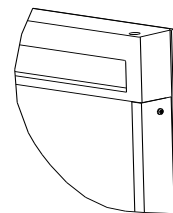
1. Remove top hinge screw pin with Phillips head screwdriver. Remove door by tilting forward and lifting off bottom hinge pin.



2. Pull door gasket out of groove (top edge of door only). Start in the middle and pull outward, moving toward the edge. This may take some force.



3. Remove the two outside screws holding door handle. Slightly separate door handle from door.
4. Pull handle up and off.
5. Slide custom door panel insert into 1/4-inch channel in door front.



IMPORTANT

Use care not to damage magnet, located on door bottom, when installing door insert. Do not set door on bottom edge when pushing insert into place.

6. Holding door gasket out of the way, replace handle on door, making sure it is seated properly on insert and that screw holes line up.
7. Install two small screws removed in **Step 3**.
8. Starting at the corners and working inward, push door gasket into place on door.
9. Place door on bottom hinge pin and install upper hinge screw.

10 Prepare Power Supply

Electrical Specifications

WARNING

SHOCK HAZARD — Electrical Grounding Required.

- Never remove the round grounding prong from the plug and never use a two-prong grounding adapter.
- Never use an extension cord to connect power to the unit.

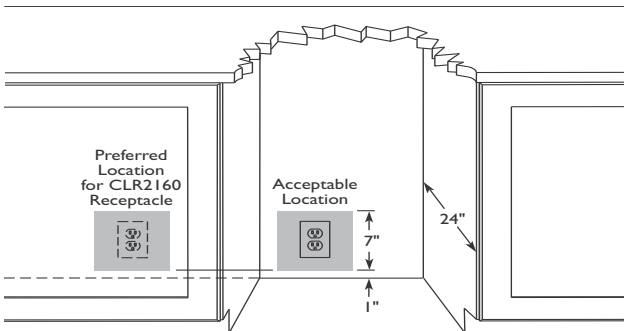
IMPORTANT

Electrical installation must observe all state and local codes. This unit requires connection to a grounded (three-prong), polarized receptacle that has been placed by a qualified electrician.

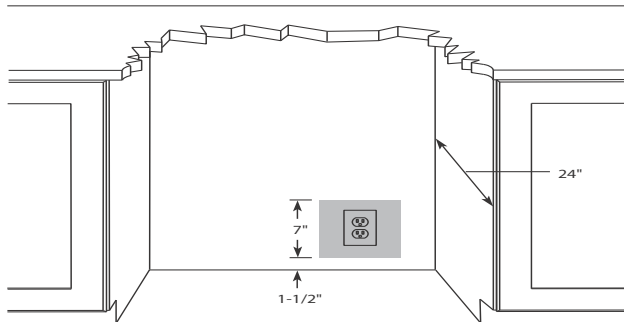
The unit requires a grounded and polarized 115 VAC, 60 Hz, 15A power supply (normal household current). An individual, properly grounded branch circuit or circuit breaker is recommended. GFCI (ground fault circuit interrupter) is usually not required for fixed location appliances and is not recommended for your unit because a GFCI could be prone to nuisance tripping. However, be sure to consult your local codes.

See below for recommended receptacle location

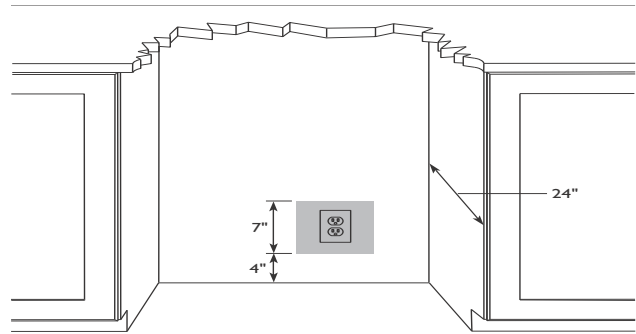
CLR2160 & CLR2175



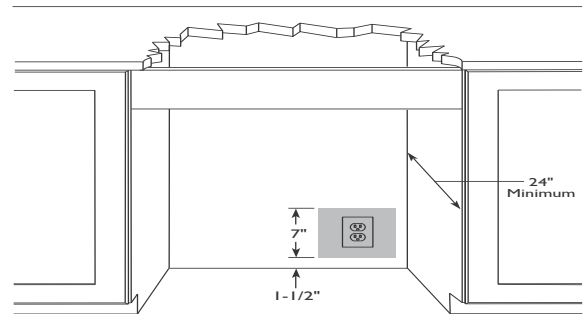
CO29



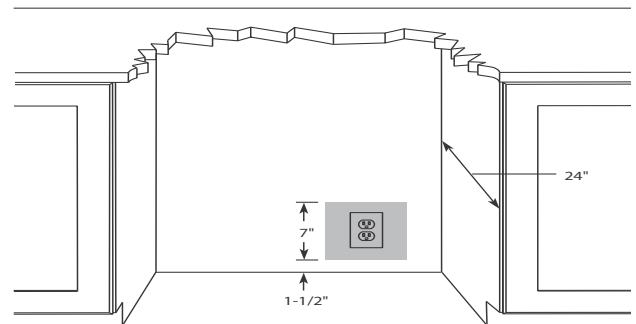
CO1175



CO29



CO2175FF



II Prepare Plumbing

CAUTION

Plumbing installation must observe all state and local codes. All water and drain connections **MUST BE** made by a licensed/qualified plumbing contractor. Failure to follow recommendations and instructions may result in damage and/or harm.

Water Supply Connection

When connecting the water supply, follow these guidelines:

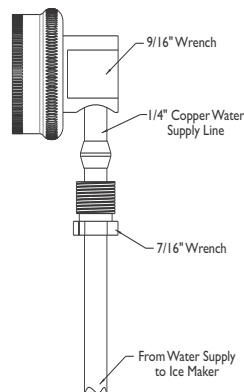
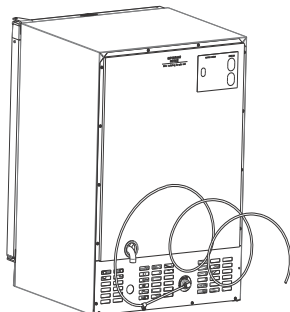
- Review the local plumbing codes before you install the unit.
- Connect to the cold water supply.
- The water pressure should be between 20 and 120 psi.
- The water line **MUST** have a shut-off valve in the 1/4" O.D. supply line.
- Leave approximately 8' of water line to be coiled behind the appliance. The water line should be looped into 2 coils. This will allow the unit to be removed for cleaning and servicing. However, make certain that the tubing is not pinched or damaged during installation.

IMPORTANT

U-Line requires the use of copper tubing for installation. Do not use any plastic water supply line. The line is under pressure at all times. Plastic may crack or rupture with age and cause water damage to your home.

To connect to water supply:

1. Locate the desired cold water supply location. Attach a 1/4" copper line to this location and route the tubing to the appliance. Leave approximately 8' of water line to be coiled behind the appliance. The water line should be looped into 2 coils. This will allow the line to flex when removing the unit for cleaning and servicing.
2. Locate the U-Line supplied garden hose fitting. Ensure the end of the copper tubing has been cut straight and free of burrs. Slide the compression nut and ferrule onto the copper tubing as shown. Push the assembly completely into the garden hose fitting and tighten using the two wrenches.



Drain Connection (CLR2160 CLRCO2175)

IMPORTANT

- Drain can **NOT** be located directly below unit. Unit has a solid base that will not allow the unit to drain below itself.
- We strongly recommend the use of a U-Line drain kit for both gravity & pump installations. A complete drain kit containing all the items needed to connect your unit are available from your dealer. Part No. U-CLRDRINKIT.
- Longer drain connections may require additional drain hose lengths. Additional drain line can be purchased from your dealer or directly from McMaster-Carr. (McMaster-Carr # 52375K35)

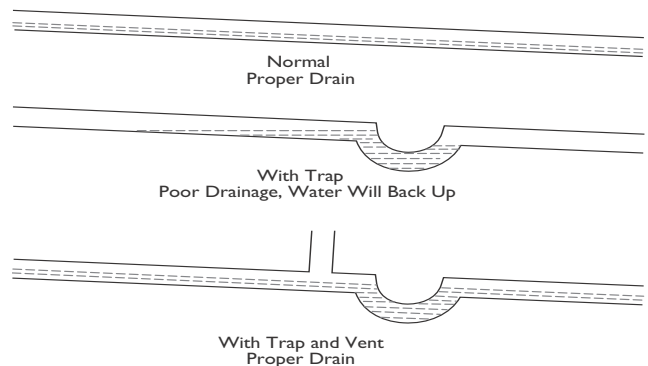
The CLR2160 or CLRCO2175 can be installed using a Gravity Drain, a Factory-Installed Drain Pump (U-Line P60) or a Locally-Installed (U-Line P60) Drain Pump. Drain lines must have a 5/8" inside diameter. The floor drain must be large enough to accommodate drainage from all attached drains.

Follow these guidelines when installing drain lines to prevent water from flowing back into the ice maker storage bin and/or potentially flowing onto the floor, causing water damage:

Gravity Drain

A Gravity Drain may be used if:

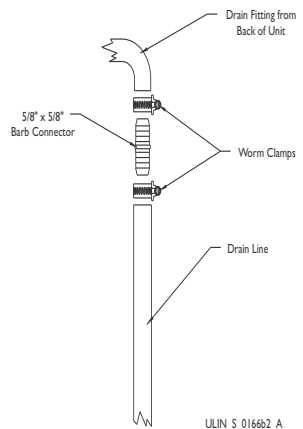
- Drain line has at least a 1-inch drop per 48 inches of run (1/4 inch per foot).



- Drain line does not create traps or created traps are vented.

If using a Gravity Drain:

1. Slide 2 hose clamps onto the drain connection on the rear of the appliance.
2. Insert the barbed fitting halfway into this connection.
3. On the other end of this barbed fitting attach the 5/8" braided tubing.
4. Slide a clamp on each side of the barbed fitting as shown (see Figure 39).



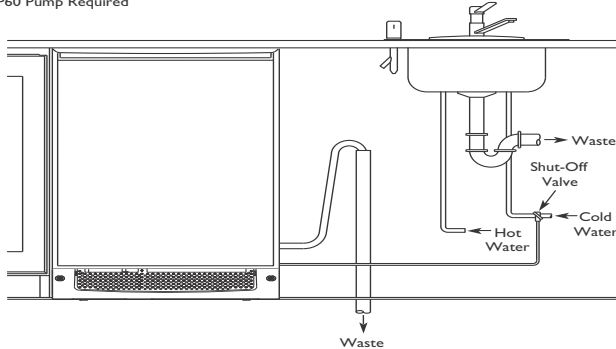
5. Insulate the drain line, if necessary to prevent condensation.

Factory-Installed Drain Pump

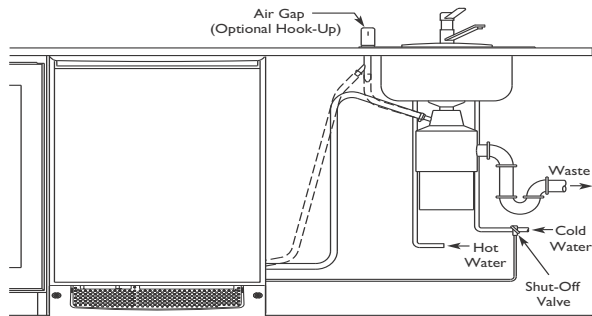
If your drain line will run up to a stand pipe, disposal or spigot assembly, or does not otherwise meet the requirements for a Gravity Drain, you may have ordered the CLR2160 or CLRCO2175 with a U-Line P60 Drain Pump. See Below for typical installations requiring a Drain Pump. If you need to install a P60 Drain Pump into your unit, see Locally-Installed Drain Pump on Page 14.

Typical Installations Requiring a Drain Pump

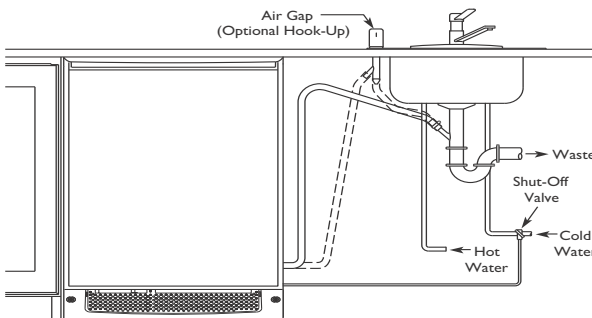
Stand Pipe
P60 Pump Required



Disposal Assembly
P60 Pump Required



Y-Branch Tailpiece
P60 Pump Required

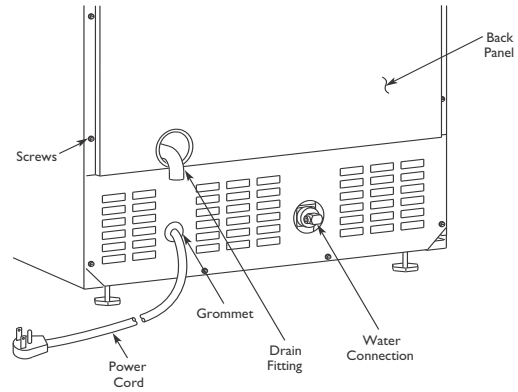


IMPORTANT

Before installing your U-Line CLR2160 or CLRCO2175 with Factory-Installed U-Line P60 Pump, it is extremely important to check and test all hose connections at the drain pump. There is a possibility that hose connections may have loosened during shipment.

To check and test hose connections:

1. Make certain the unit is not plugged into an electrical outlet.
2. Carefully push the power cord grommet through the hole in the back panel.
3. Remove 12 screws and back panel.

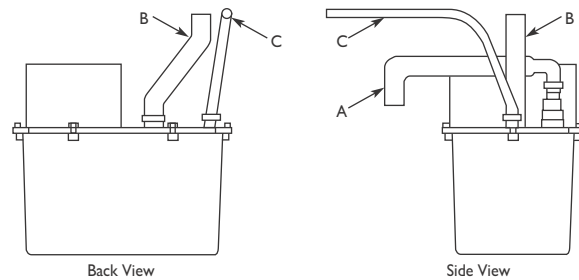


IMPORTANT

Back panel serves as a guard. DO NOT put your hands inside the ice maker cabinet or attempt to touch any components except the discharge tube during testing.

4. Check that the clamps and hose connections are tight at the following areas:

- Discharge tube (A)
- Drain tube (B)
- Vent tube (C)



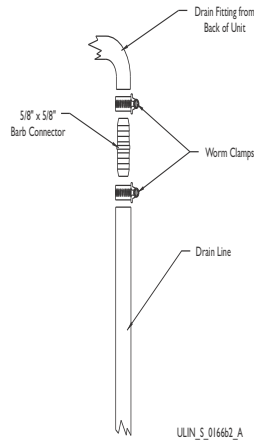
5. Place a suitable container beneath the pump's discharge tube. (The bucket must be able to hold a minimum of one gallon.)
6. Plug the ice maker power cord into a properly grounded, polarized electrical outlet.
7. Place the unit into OFF mode by holding power key for 10 seconds. Not doing this will cause the unit to start the fill cycle which will run for 3 minutes.
8. Verify pump operation by pouring one gallon of water into the ice storage bin of the ice maker. The pump should energize and pump the water into the container.
9. At this time, verify that all tube and clamp connections are tight and leak-free.
10. Unplug unit power cord from electrical outlet.
11. Reinstall back panel.

To connect to drain:

! WARNING

To prevent accidental electrocution, make certain that the floor surfaces surrounding the unit are dry whenever power is removed from, or applied to, the unit.

1. Slide 2 hose clamps onto the drain connection on the rear of the appliance.
2. Insert the barbed fitting halfway into this connection.
3. On the other end of this barbed fitting attach the 5/8" braided tubing.
4. Slide a clamp on each side of the barbed fitting as shown (see Figure 45).
5. Insulate the drain line, if necessary to prevent condensation.



Locally-Installed Drain Pump

If a gravity drain connection is not possible, and you have not purchased a CLR2160 or CLRCO2175 with factory-installed pump, we strongly recommend the use of the U-Line P60 drain pump. The U-Line P60 drain pump is available through your Dealer, with complete installation instructions. If a pump other than the U-Line P60 drain pump is to be used, it must meet the following specifications:

- It must be UL listed and have a UL listed, 120 VAC, 3-wire grounded power cord.
- It must have overall maximum outside dimensions of 8-3/4" wide x 5-3/4" deep x 7-3/4" high.
- It must have a minimum flow rate of 1.5 gallons per minute at 10 feet of lift.
- It must have a sealed sump which does not allow water leakage in the case of a power outage, restricted drain or pump failure.
- It must have a check valve in the discharge line to prevent waste water return to the pump.
- It must have an overflow protection control which will shut off power to the ice maker in the event of a pump failure.
- It must have an operating temperature range of 50°F to 110°F (10°C to 40°C).

IMPORTANT

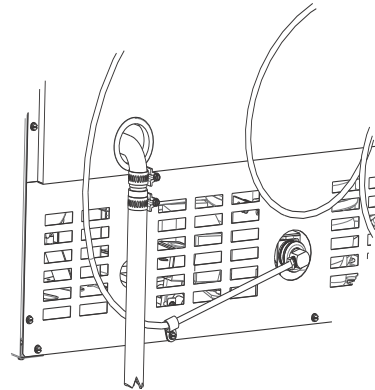
In the event of a power outage, restricted drain or pump failure, the failure to use the U-Line P60 drain pump or a pump with the above listed specifications, could result in substantial water leakage and pooling with severe and costly water damage and related consequential damages and harm.

Final Water Connection:

1. Connect the water supply fitting by screwing the brass garden hose fitting to the water valve in the rear of the unit.
2. Tighten this fitting with pliers.

IMPORTANT

Do not use Teflon tape or joint compound on this fitting. The rubber washer provides an adequate seal. Other materials could cause blockage of the valve.



3. Attach the copper water line to the back of the unit using the supplied clamp and the back panel screw (see above). This will prevent rotation of the line when moving the unit.
4. Plug in the unit and put unit into OFF mode by holding the power key for 10 seconds. Not doing this will cause the unit to fill with water for 3 minutes.
5. Turn on the water supply and ensure the connections are free of leaks.
6. Begin to push the appliance into the desired cabinet opening. The copper tubing should remain in 2 coils behind the unit.

IMPORTANT

Normal operation creates some vibration. A water supply line contacting cabinet wall may cause excessive noise during operation or damage to the line.

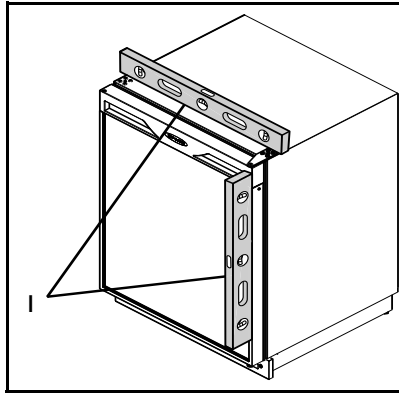
7. While pushing the unit into the opening, continuously reroute the drain tube (if installed) to avoid kinks. The most common installation pulls the slack into an adjacent cabinet or basement area.

12 Level The Unit

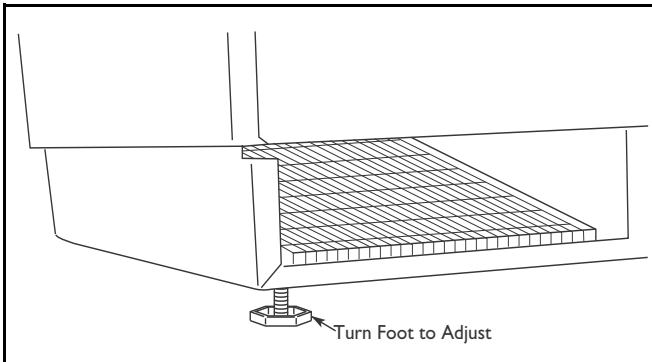
Leveling Information

It is recommended that the unit is level.

1. Use a level to check the levelness of the unit from front to back and from side to side. Level should be placed along top edge and side edge as shown



2. If the unit is not level, adjust the feet on the corners of the unit as necessary (not available in CO29 models).



3. Check the levelness after each adjustment and repeat the previous steps until the unit is level.

INSTALLATION TIP

If the room floor is higher than the floor in the cut-out opening, adjust the rear feet to achieve a total unit rear height of 1/8" less than the opening's rear height. Shorten the unit height in the front by adjusting the front feet. This allows the unit to be gently tipped into the opening. Readjust the front feet to level the unit after it is correctly positioned in the opening.

13 Install the Unit

Installation

1. Open the water supply valve in the main water source.
2. Plug in the power cord.

CLR2160 & CLRCO2175 Only

- Open the door and press the POWER icon, to turn the unit OFF.

Note: If the unit is NOT turned OFF, water will immediately start flowing into the unit when it is first plugged into the electrical outlet.

- Test the drain system by pouring one gallon of water into the ice bin. The water should drain freely and there should be no leakage.

All Models

3. Gently push the unit into position. Be careful not to kink the water supply line or entangle the electrical cord.
4. Re-check the leveling, from front to back and side to side. Make any necessary adjustments. The unit's top surface should be approximately 1/8" below the counter top.
5. Remove the tape from the glass shelves and wipe out the inside of the unit with a clean, water-dampened cloth.

Relocating the Shelves

Both the glass shelves in the refrigerator and the inner door shelves can be moved to accommodate your bottles, cans and containers.

Glass Shelves on Right-Hand Hinge Units

- Open door fully, grasp shelf firmly, lift front edge slightly, and pull straight out.
- Choose new location and slide shelf onto the appropriate rib.

Glass Shelves on Left-Hand Hinge Units

- Pull shelf out about 6" to clear the wall's molded protrusion.
- Tilt right-hand edge of shelf up.
- Keeping at this angle and hugging the right wall, pull the shelf out.
- Choose new location and insert over ribs, tilting right-hand edge up. Push in, then lower shelf onto ribs.

Door Shelves

- First pull shelf up at a 45° angle, then straight out (see Figure 39).
- Choose new location and line up on bosses. First push straight in, then down at a 45° angle.

Installation Troubleshooting

Q: Problem

Water is leaking under the unit.

A: Solution

A water leak under the unit is most likely caused by a bad connection in the water supply line. Make sure the water line's brass fitting is screwed tight to its valve and threaded correctly.

Q: Problem

The door remains open unless it is pushed closed.

A: Solution

The hinges should be self-closing when the door is open approximately 8". If this is not the case, make sure the closers (at the bottom of the hinge pin) are clean, greased and installed correctly. Also, re-check leveling from front to back of the unit and readjust if necessary. Make sure that pivot plate is installed correctly.

Q: Problem

The custom overlay door was designed to align with the rest of the cabinet doors, but the unit has crept forward.

A: Solution

Make sure that the electrical cord and water supply line are not obstructing the installation.

SERVICE INFORMATION

If you have a problem with this appliance, your use and care guide has troubleshooting information to help you quickly identify common problems and provide information on possible cause and remedy. Answers to Customers Frequently Asked Questions are available at www.u-line.com/customer/faq.cfm. You may contact U-Line directly:

GENERAL INQUIRIES:

U-Line Corporation
P.O. Box 245040
Milwaukee, Wisconsin 53224-9540 U.S.A.
Phone (414) 354-0300
FAX (414) 354-7905
Email: sales@u-line.com
www.u-line.com

SERVICE ASSISTANCE:

Phone (800) 779-2547
FAX (414) 354-5696
Email: onlineservice@u-line.com
www.u-lineservice.com

PARTS ASSISTANCE:

E-mail: onlineparts@u-line.com

ABOUT U-LINE

Building on 45 years, U-Line has captivated those with an appreciation for the finer things with exceptional design, inspired innovations and attention to even the smallest details.

U-Line is synonymous with premium built-in undercounter ice making, refrigeration and wine storage appliances, the U-Line Corporation is committed to luxury under the counter. U-Line is known and respected for unwavering dedication to product innovation, quality and selection. A bold and broad line of models is the product of visionaries in the pursuit of distinctive living environments in the kitchen and spaces beyond.

In 1962, Henry Uihlein founded U-Line Corporation as an outgrowth of Ben-Hur Freezer Company and was the first to develop and patent an automatic stand-alone undercounter residential ice maker. His foresight and determination to develop new ideas and to succeed when there were no clear guidelines or solutions are evident today. The Milwaukee, Wisconsin based family operated business provides continuity and vision from which innovations continue to be born.

Going forward, U-Line will continue offering best-in-class products that build on the company's numerous patents and world firsts to guide the undercounter industry in realizing its unlimited potential.