

Operating Instruction Manual

For "CH-LLDXXX-XX/XXX-G-S-III-C-N02"

- Thanks for using our products.
- Read the Operation Manual carefully before using the product.

1. Summary

1.1 Product Features:

- ◆ High power LED Street Light
- ◆ Energy-saving、
- ◆ Green & eco-friendly
- ◆ Long life-span

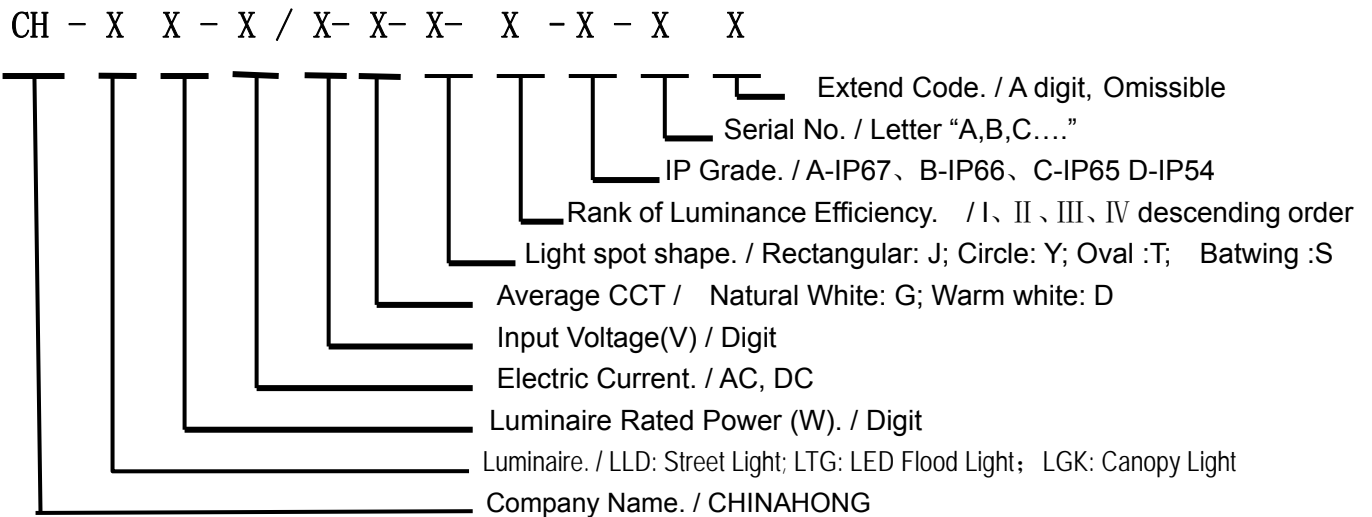
1.2 Applications:

- ◆ Roads, Plazas, Outdoor Leisure Places, Parks, Schools, and courtyard

1.3 Operation Temp.:

- ◆ -30℃~50℃

1.4 Model No. Formulation:



1.5 Certificates:

- ◆ UL Approved No. E343102
- ◆ CE Approved No. ATE20102095
- ◆ ISO9001 Cert No.: 04110O20110ROS
- ◆ ISO14001 Cert No.: 04110E20037ROS

1.6 Standards:

- ◆ CIE140:2000 Road Lighting Calculations
- ◆ CIE121:1996 Photometry and Goniophotometry of Luminaires
- ◆ IEC 60598-2-3:2002 Particular Requirement Luminaires for Road and Street Lighting
- ◆ IEC 60598-1:2003 General Requirement and Tests

2. Product Structure Characteristics:

Waterproof, heat shunt Structure, which ensures LED Module works under a safe and reliable environment, furthermore, this helps to reduce light degradation and improve LED Lifespan. The structure also features a

reflector of light distribution principle, improvement of light distribution, extending of lighting scope and better visual effect.

3. Technical Data Sheet

3.1 Parameters:

S/N	Specifications			
1	Solar Power	Input Volt/Current	<input type="checkbox"/> DC24 <input type="checkbox"/> DC12	
		Rated Power	<input type="checkbox"/> 20 <input type="checkbox"/> 24 <input type="checkbox"/> 40	
	Power Supply Series	Power Supply	Input Volt/Current	220V~ <input type="checkbox"/> 0.6A <input type="checkbox"/> 1.0A <input type="checkbox"/> 1.3A
			Rated Power	<input type="checkbox"/> 20W <input type="checkbox"/> 30W <input type="checkbox"/> 40W
		Output/Constant Current	DC30-36V <input type="checkbox"/> 0.7A <input type="checkbox"/> 1.05A <input type="checkbox"/> 1.4A	
		Input Frequency	50/60HZ	
		Conversion Efficiency	90%	
		Power Factor	0.92	
		2	CCT	2700-6500K
3	Luminou Flux	<input type="checkbox"/> 20W	>1400lm	
		<input type="checkbox"/> 24W	>1700 lm	
		<input type="checkbox"/> 30W	>2100 lm	
		<input type="checkbox"/> 36W	>2500 lm	
		<input type="checkbox"/> 40W	>2800 lm	
4	Operating Temp.	-30~50℃		
5	Anti-wind Capability	≥188 km/h		
6	IP Grade	IP65		
7	Installation elevation	10~15 degrees		
8	Bolts Torque	< 46 Nm		
9	Tempered Glass Cover	284*203*4 mm (material:SiO2)		
10	Maximum Temperature of Heat Sink	58℃		
11	Overall dimension	570*270*170 mm		
12	Net Weight	7.9 kgs		

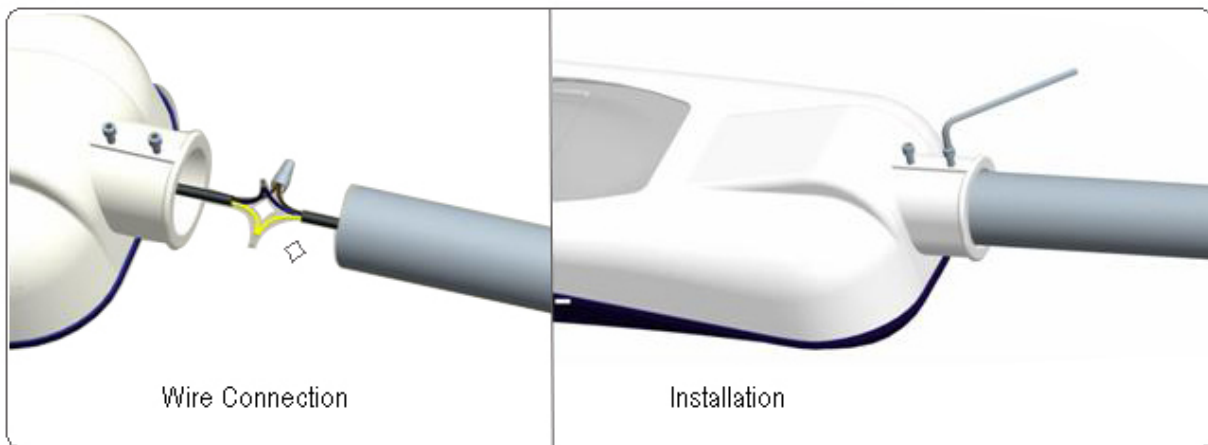
3.2 Declaration of Product Performance:

Optical radiation of this luminaire conforms to the requirements by the EXAMPT GROUP OF “IEC62471-2006”.

4. Installation

4.1 For LED Street Light with Electricity Power supply

- ① Loosen Fasteners;
- ② The Brown Line Connected to Live Line of the Power Grid;
The Blue Line Connected to Null Line of the Power Grid;
The Yellow-Green Line Connected to Earth Wire of the Power Grid;
- ③ Insert the pole into the mounting hole, adjust the illuminate surface of fixture, tighten the Screws and Locked Kits(Bolts Torque must less than 46 Nm for luminaire adjusted).



4.2 For LED Street Light with Electricity Power Supply and Solar Power Supply

1. Loosen Fasteners and Open the “Connecting Line Cavity”,
2. The Brown Line Connected to Anode Line of the Solar Power Supply and Tighten with Wire Connecting Terminal and Mackintosh;
The Blue Line Connected to Cathode Line of the Solar Power Supply and Tighten with Wire Connecting Terminal and Mackintosh;

Warning: Misconnection of Anode Line and Cathode Line must be Prohibited.

3. Connect Solar Power Supply to Live&Null Line of Power Grid.
4. Tighten the Screws and Locked Kits(Bolts Torque must less than 46 Nm for luminaire adjusted).
5. Close the “Connecting Line Cavity” and Fasten the Cover of Connecting Line Cavity.



press.

- 5.2 Storage warehouse should be dry, clean and draughty, No corrosive medium, ambient temperature should be around 0-40°C, keep away from fire and heat source.

6. Open Package and Inspection:

Before you open the package, check if there's any damage of the carton. After opening the carton, please check the enclosed technical data sheet such as User Manual etc. and confirm all the accessories are safe and sound.

7. The dos and don'ts:

- 7.1** Read the Instruction carefully before using the product.
- 7.2** Before installation, make sure the luminaire and all accessories are perfect, no damage.
- 7.3** Before installation, must switch off the power grid, live line work is strictly prohibited.
- 7.4** Handle with care & Make sure Wiring is correct.
- 7.5** To assure LED Module lifespan, please do not change the power supply by yourself.
- 7.6** To assure safety of power supply and better effect of lighting protection, earth line between Power supply and Power grid are well connected. In case of power grid without earth line, the earth line of power supply should be connected with the lamp post.
- 7.7** This is a maintenance free product, in case of maintenance is needed, please contact us.
- 7.8** After installation, please confirm the luminaire is fixed firmly to the lamp post.