

# LTR8 Series

SKOPE Heated Ladder Towel Rail  
8 Bar - Wide, Narrow and Slimline



# Contents

<b>1</b>	<b>Safety Information .....</b>	<b>3</b>
<b>2</b>	<b>Installation .....</b>	<b>4</b>
	Regulations .....	4
	Methods .....	4
	Components.....	5
	Visible Supply Cord.....	6
	Concealed Supply Cord .....	8
	Optional Spacers.....	10
<b>3</b>	<b>Specifications .....</b>	<b>11</b>
	Dimensions .....	11
	Electrical .....	11
	Construction.....	11
<b>4</b>	<b>Operation .....</b>	<b>12</b>
<b>5</b>	<b>Maintenance .....</b>	<b>12</b>

# 1 Safety Information

When using any electrical appliance, safety precautions should always be observed. Read these instructions carefully before installation and retain for future reference.

- This appliance is not intended for use by young children or infirm persons unless they are adequately supervised by a responsible person to ensure that they can use the appliance safely. Young children should be supervised to ensure that they do not play with the appliance.
- This appliance is intended to dry towels and therefore is hot to the touch. Any rise in ambient temperature is directly reflected in the appliance, and as a result of this the appliance will feel hotter to the touch during warmer periods. Also the insulation effect of towels will cause the operating temperature to increase slightly.
- Do **NOT** use this appliance other than for its intended use.
- Do **NOT** immerse in any liquid.
- Do **NOT** allow the supply cord to come into contact with heated surfaces during operation.
- To avoid a hazard this heated towel rail **MUST NOT** be used to carry towels or any other articles that have been in contact with oil, petroleum based products or dry cleaning fluids.
- Use this appliance only on the voltage specified on the rating label.
- Regulations require that electrical work be carried out only by authorised persons. For your own safety, and that of others, please ensure this is done.

## Caution:

If this appliance is supplied from a cord extension set or an electrical portable outlet device, the cord extension set or electrical portable device must be positioned so that it is not subject to splashing or ingress of moisture.

## 2 Installation

### Regulations

This appliance **MUST** be installed in accordance with the relevant wiring rules and regulations which cover installation of appliances and accessories in damp situations such as bathrooms, showers, laundries and other areas with fixed water containers (In Australia and New Zealand - AS/NZS 3000: 2000 Wiring Rules).

**NOTE:** This Class II appliance does **NOT** require Earthing. The side frames of the Towel Rail should be mounted vertically, with the heated rails horizontal, and the supply entry at the bottom.

The Heated Ladder Towel Rail is supplied with a 900mm supply cord and plug. Where protected by an RCD, the Heated Towel Rail can be plugged directly into a socket outlet, otherwise permanent connection to the supply via a permanent connection unit is required. On directly wired models, a suitable disconnection device (acting in all supplies) must be incorporated in the fixed supply wiring.

In order to avoid a hazard for young children, this appliance must be installed so that the lowest heated rail is at least 600mm above the floor.

### Methods

The Towel Rail can be installed with either the supply cord **VISIBLE** or **CONCEALED** inside the bottom mounting leg and wired directly into the wall.

- To install the Towel Rail with the supply cord **VISIBLE**, go to page 6.
- To install the Towel Rail with the supply cord **CONCEALED**, go to page 8.

Optional Spacers (see page 10) are available to space the top Mounting Brackets when the bottom part of the wall is tiled.

# Components

The SKOPE Heated Ladder Towel Rail is supplied with the following installation components:

	Description	Quantity
1	Standard Mounting Bracket	3
2	Cable Mounting Bracket	1
3	Mounting Base Extension	1
4	Leg Fixing Screw (short)	4
5	Wall Fixing Screw (long)	4
6	Flat Washer	1
7	Adhesive Dots	4

Table 1: Installation Components

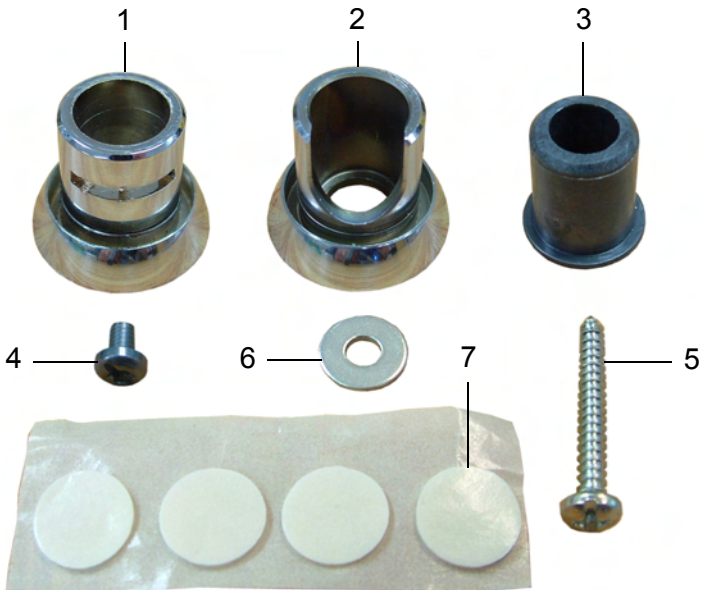


Figure 1: Installation Components

# Visible Supply Cord

As standard, the supply cord exits through the bottom of either the left or right hand mounting leg (see Figure 2 below).

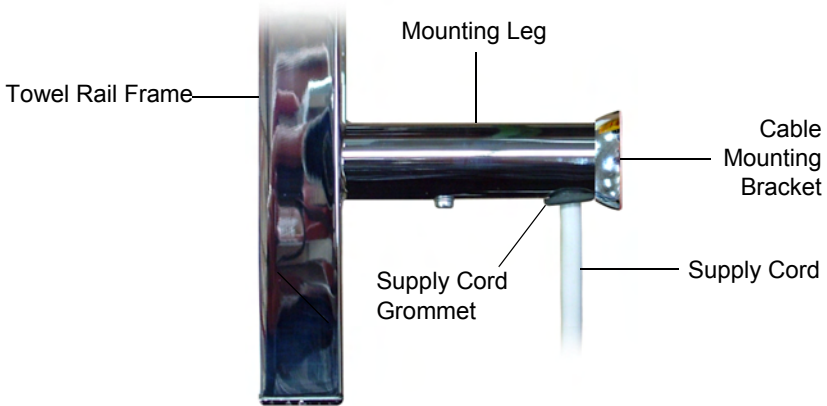


Figure 2: Visible Supply Cord

When installing the Towel Rail with the Supply Cord visible, the Cable Mounting Bracket (item 2) must be fitted to the wall with the Flat Washer (item 6) fitted inside the Bracket and with the slot in the Bracket facing downwards to clear the supply cord (see Figure 3 below).

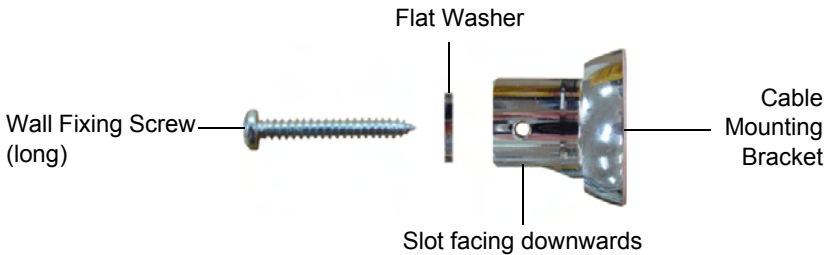


Figure 3: Cable Mounting Bracket Fixing (for visible supply cord)

Follow the instructions on the following page to install the Towel Rail with visible Supply Cord.

## **To install the Towel Rail with visible supply cord:**

1. Firstly, establish a suitable position on the wall for attaching the Towel Rail, with at least two leg Mounting Brackets aligned with wall studs or dwangs.
2. Remove the Cable Mounting Bracket from the Towel Rail by undoing the Leg Fixing Screw (see Figure 5 on page 9).
3. Attach the Cable Mounting Bracket to the wall, ensuring the slot is facing downwards. Fit the Flat Washer (supplied) inside the Bracket (see Figure 3 on page 6) and attach to the wall with either a Wall Fixing Screw (supplied) or a suitable wall fixing plug.
4. Attach one of the Adhesive Dots (supplied) to the back of each of the remaining three Mounting Brackets and remove the protective paper backing.
5. Insert the remaining three Mounting Brackets into the frame mounting legs. Ensure the rectangular fixing slot, in each Mounting Bracket, faces downwards.
6. Fit the Towel Rail frame leg onto the Cable Mounting Bracket, already screwed to the wall, ensuring the Supply Cable Grommet engages firmly into the Mounting Bracket. If necessary use a level to align the Towel Rail in the desired position, before pressing firmly against the frame to adhere the remaining three Mounting Brackets to the wall.
7. Pull the Towel Rail frame away, leaving the Mounting Brackets attached to the wall.
8. Attach the remaining three Mounting Brackets to the wall using the three Wall Fixing Screws (supplied).
9. Refit the Towel Rail frame over the Mounting Brackets and lock in place with the four Leg Fixing Screws (supplied).
10. Either connect the supply cord to a socket outlet or, if installed in a bathroom, have an authorised person connect the supply cord to a switched permanent connection unit.

## Concealed Supply Cord

The supply cord can be concealed inside the bottom mounting leg of the Towel Rail and wired directly into the wall.

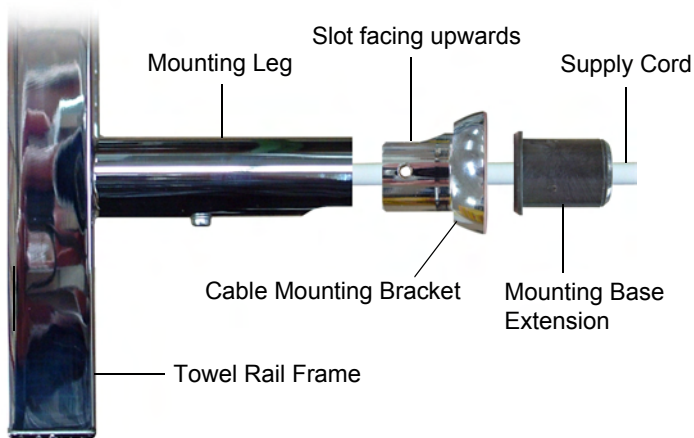


Figure 4: Concealed Supply Cord Installation

Before installing the Towel Rail with the concealed Supply Cord:

1. Remove the Cable Mounting Bracket from the Towel Rail by undoing the Leg Fixing Screw (see Figure 5 on page 9).
2. Cut the plug off the end of the Supply Cord.
3. Slide the Supply Cord Grommet out of the slot in the bottom mounting leg and remove the grommet from the Supply Cord.
4. Feed the Supply Cord through the centre of the Cable Mounting Bracket (see Figure 4 above).
5. Rotate the Cable Mounting Bracket so the slot underneath the mounting leg is blanked off.
6. Screw the Cable Mounting Bracket to the mounting leg with the side Leg Fixing Screw.

To install the Towel Rail on the wall, follow the instructions on the following page.



## To install the Towel Rail with concealed supply cord:

7. Establish a suitable position on the wall for attaching the Towel Rail, with at least two leg Mounting Brackets aligned with wall studs or dwangs. Mark the wall with the location of the Concealed Cable Mounting Bracket.
8. The recess in the back of the Cable Mounting Bracket fits over the flange of the Mounting Base Extension so you will need to drill a Ø16mm hole in the wall to accommodate the Extension. If the hole coincides with a wall stud it will be necessary to drill a hole out of the side of the stud to allow the Supply Cord to exit.
9. Push the Mounting Base Extension into the Ø16mm hole firmly until the back of the flange is flush with the wall.
10. Feed the Supply Cord into the wall through the Mounting Base Extension.
11. Continue with installation as per 'Visible Supply Cord', steps 3 to 9, on page 7.
12. It may be necessary to adjust the Cable Mounting Bracket so that it fits flush against the wall. This can be done by loosening the side Leg Fixing Screw and moving the Bracket forwards or backwards (see Figure 5 below).
13. The wiring must then be connected to a suitable connection unit. A suitable disconnection device (acting in all supplies) **MUST** be incorporated in the fixed supply wiring.

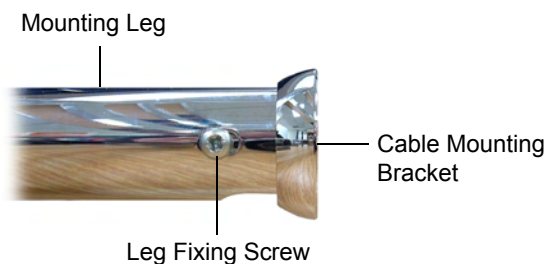


Figure 5: Cable Mounting Bracket Adjustment

# Optional Spacers

Optional 8mm Spacers (SKOPE Part No. TUR9346-2) are available to space the top Mounting Brackets when the bottom half of the wall is tiled (see Figure 6 below).

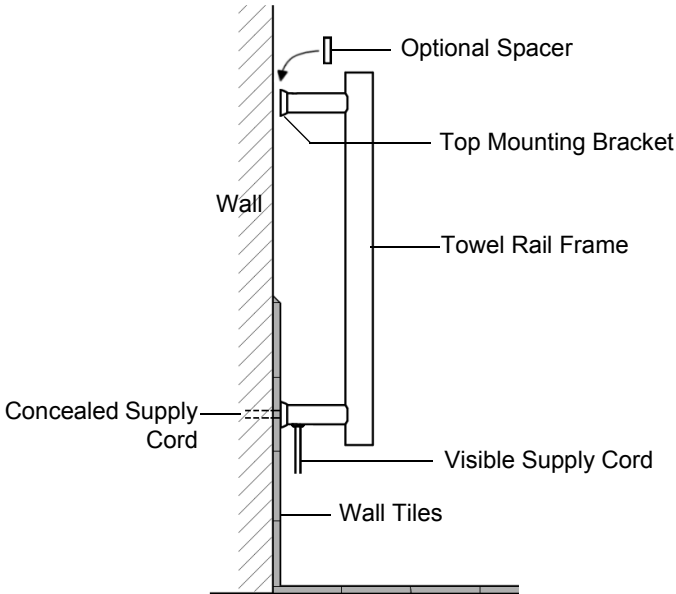


Figure 6: Optional Spacer Installation

To fit the optional Spacers:

1. Before attaching the two top Mounting Brackets to the wall, remove the paper backing from the adhesive dot on each of the optional Spacers. Then press the Spacer firmly and centrally on to the top Mounting Bracket (see Figure 7).
2. Continue with installation as per 'Visible Supply Cord', steps 3 to 9, on page 7.

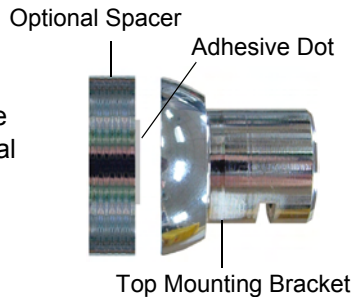


Figure 7:  
Attaching Optional Spacer

# 3 Specifications



Model	Height	Width	Depth	Weight	Wattage
LTR8W	800mm	665mm	105mm	6.3 kg	75-80 W
LTR8N	800mm	525mm	105mm	5.1 kg	60-65 W
LTR8S	800mm	460mm	105mm	4.8 kg	55-60 W

**Electrical**

Supply: 230-240 V a.c. 50 Hz

Insulation Class: Class II - Double Insulated

Wiring: 900mm 2-core supply cord and plug. The plug may be removed for connection to permanent wiring. When ordering, the supply cord entry must be specified either on the left or right hand side.

Controls: No controls provided. Designed for continuous operation.

**Construction**

Ingress Protection Rating: IPX7 (protection against temporary immersion).

Finish: Chrome plated frame and wall mounting brackets, and white supply cord and plug

Table 2: Specifications

Copyright © 2009 SKOPE Industries Limited.  
SKOPE Industries Limited reserve the right to alter specifications without notice

## 4 Operation

Your SKOPE Heated Ladder Towel Rail costs approximately the same to run as a 100 Watt light bulb. It will take approximately 45 minutes to reach normal operating temperature and, if need be, can be left running continuously.

## 5 Maintenance

The Heated Ladder Towel Rail is best wiped down, from time to time, with a damp cloth. Do **NOT** use any abrasive or corrosive cleaners.

The supply cord on this product cannot be replaced without damaging the appliance. If the supply cord becomes damaged, in any way, the appliance should be scrapped. If the appliance is under warranty, contact your nearest Authorised Service Agent.

## Contact Addresses



### New Zealand

SKOPE INDUSTRIES LIMITED

PO Box 1091, Christchurch

New Zealand

Freephone: 0800 947 5673

Fax: (03) 983 3896

Email: [enquiry@skope.co.nz](mailto:enquiry@skope.co.nz)

Website: [www.skope.co.nz](http://www.skope.co.nz)

### Australia

SKOPE AUSTRALIA PTY LTD

A.C.N. 000 384 270

PO Box 7543, Baulkham Hills B.C.

NSW 2153, Australia

Freephone: 1800 121 535

Freefax: 1800 121 533

Email: [enquiry@skope.com.au](mailto:enquiry@skope.com.au)

Website: [www.skope.com.au](http://www.skope.com.au)

