



FS-1020D

Page Printer



Installation Guide

Caution

NO LIABILITY IS ASSUMED FOR ANY DAMAGE CAUSED BY IMPROPER INSTALLATION.

Notice on Software

SOFTWARE USED WITH THIS PRINTER MUST SUPPORT THE PRINTER'S EMULATION MODE. The printer is factory-set to emulate the HP PCL 6. The emulation mode can be changed by following the procedures described in the Operation Guide contained as an electronic file in the *Kyocera Mita Document Library* CD-ROM supplied with the printer.

Notice

The information in this manual is subject to change without notification. Additional pages may be inserted in future editions. The user is asked to excuse any technical inaccuracies or typographical errors in the present edition.

No responsibility is assumed if accidents occur while the user is following the instructions in this manual. No responsibility is assumed for defects in the printer's firmware (contents of its read-only memory).

This manual, any copyrightable subject matter sold or provided with or in connection with the sale of the page printer, are protected by copyright. All rights are reserved. Copying or other reproduction of all or part of this manual, any copyrightable subject matter without the prior written consent of Kyocera Corporation is prohibited. Any copies made of all or part of this manual, any copyrightable subject must contain the same copyright notice as the material from which the copying is done.

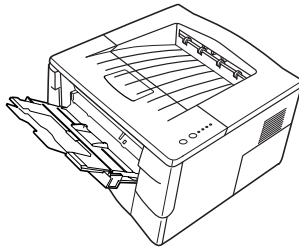
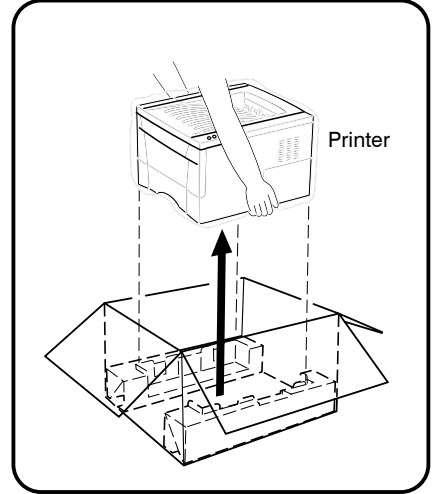
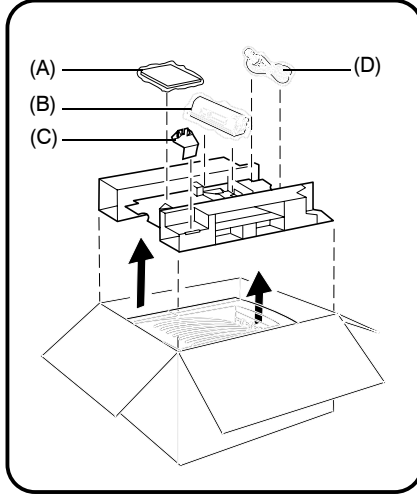
Table of Contents

STEP 1	Unpacking.....	1
STEP 2	Positioning the Printer.....	3
STEP 3	Installing the Toner Container.....	4
STEP 4	Connecting the Printer to the Computer.....	7
STEP 5	Connecting the Power Cord.....	9
STEP 6	Adding Paper to the Paper Cassette and MP Tray.....	10
STEP 7	Printing a Status Page.....	17

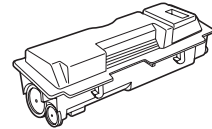
Unpacking

Carefully remove the printer and other items from the box. Check that nothing is missing against the list of shipped components below.

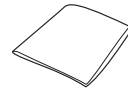
List of Shipped Components



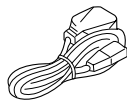
Printer



Toner Container [TK-18] (B)



Cleaning Cloth (A)



Power Cord (D)



CD-ROMs (A)



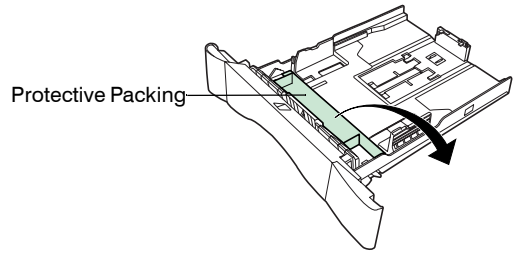
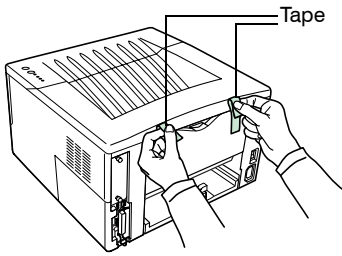
Installation Guide [this booklet] (A)



Extension Tray (C)
[for U.S.A. only]

Removing Shipping Material

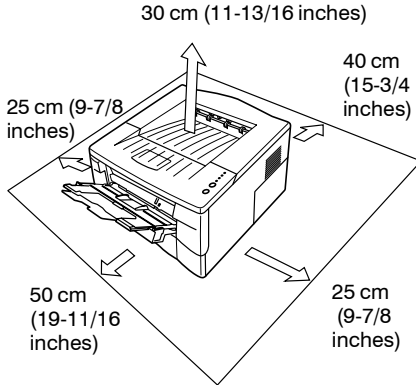
Remove the tape on the rear side of the printer, and remove the protective packing from the paper cassette.



Positioning the Printer

Make sure that the place of installation meets the following requirements:

Clearance



Warning

Be sure to secure enough space around the printer. Prolonged use without sufficient clearance may cause heat to build up within the printer, resulting in fire.

Environment

Temperature	10 to 32.5 °C (50 to 90.5 °F), ideally about 23 °C (73.4 °F)
Humidity	20 to 80 %, ideally 60 %



Note

Do not install the printer where temperature or humidity is outside the recommended range. Print quality may suffer and there will be an increased chance of paper jams.

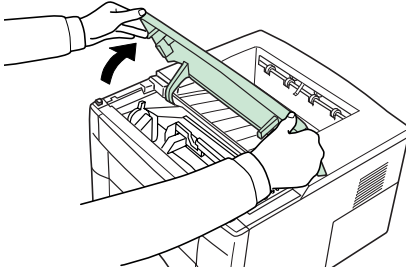
Places to Avoid

Avoid installing the printer in locations subject to:

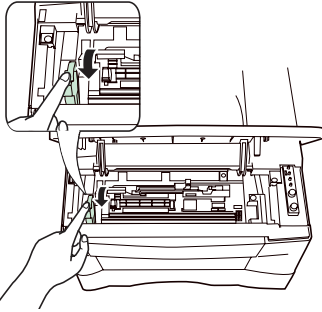
- Direct drafts of hot or cold air
- Direct drafts from outside (Avoid locations near building entrances.)
- Sudden temperature or humidity changes
- Sources of high temperature, for example, near stoves or radiators
- Excessive dust
- Vibration
- Unstable surfaces and surfaces that are not level
- Ammonia or other harmful fumes (If you are planning to fumigate the room, or make liberal use of insecticide, remove the printer first!)
- Excessive sunlight or humidity
- Lack of ventilation
- Low air pressure, e.g., elevations greater than 2000 meters (6500 feet) above sea level

Installing the Toner Container

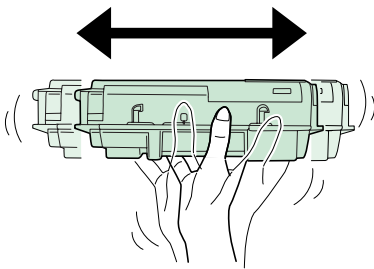
Before you can use the printer for the first time, you must set up the printer by installing the toner container and interfacing with the computer.



- 1 Open the printer top cover all the way.

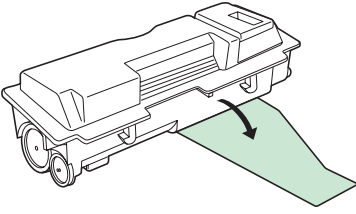


- 2 Confirm that the lock lever is in the release (**UNLOCK**) position. If not, pull it forward until it is in the release position.

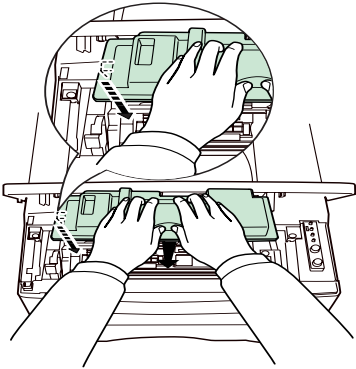


- 3 Take the toner container from the bag. Hold it with the protective seal (orange-colored) facing up. Shake the toner container horizontally at least 5 times. This ensures that the toner is evenly distributed inside.

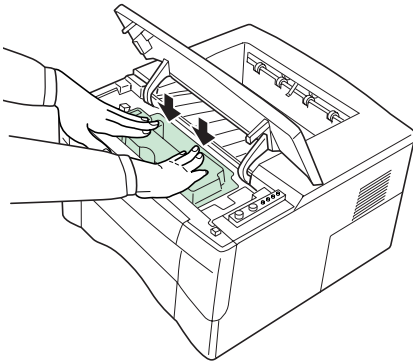
- 4** Carefully remove the protective seal.

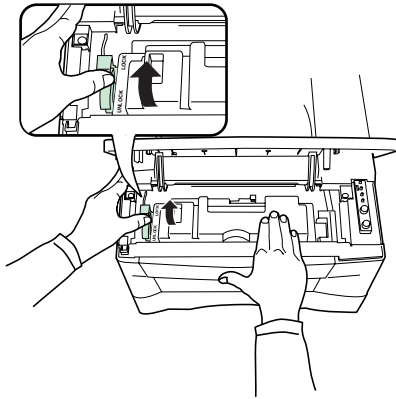


- 5** Install the toner container into the printer.



- 6** Push firmly on the top of the toner container at the positions marked **PUSH HERE**.

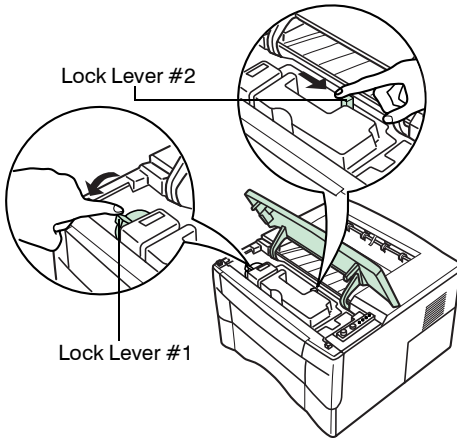




7 Push the lock lever to the lock (**LOCK**) position.

8 Close the top cover.

To remove the toner container

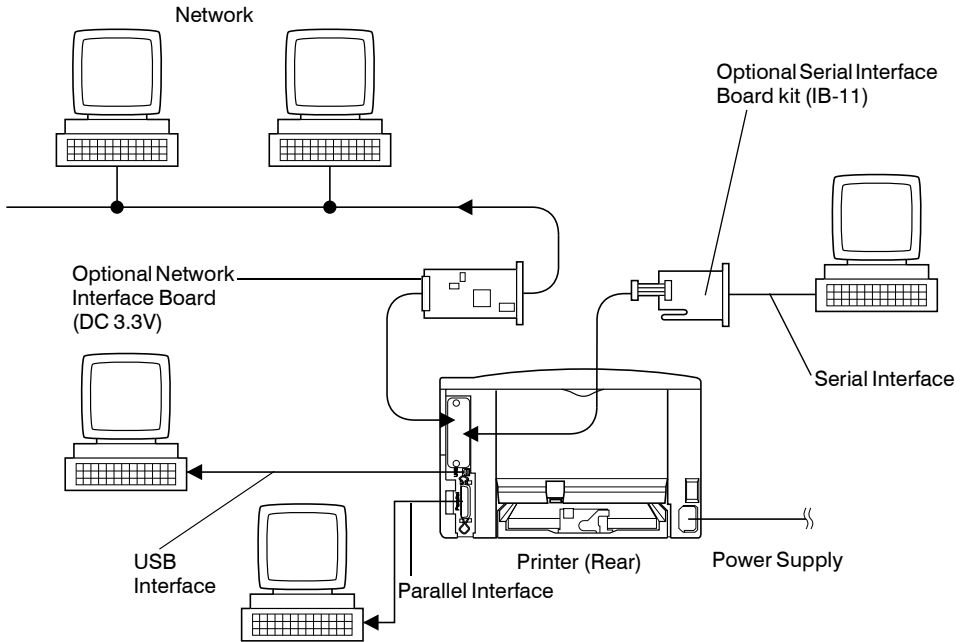


Pull the lock lever #1 to the release (**UNLOCK**) position, pull the lock lever #2, then gently remove the toner container.

Connecting the Printer to the Computer

There are various ways of connecting the printer to the computer, such as through the parallel interface connector, through the USB (Universal Serial Bus) interface connector, through the optional serial interface board kit (IB-11) or through the optional network interface board.

Printer Connections

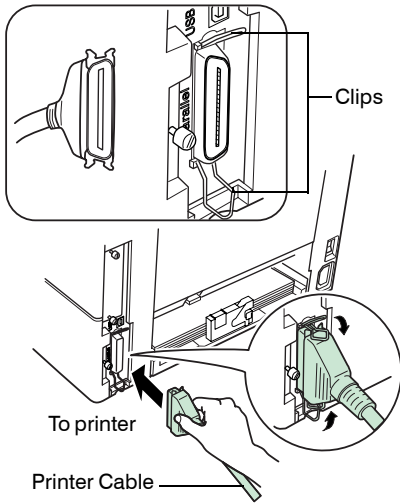


Caution

Before performing this step, be sure to turn off both the printer and the computer's power switches and unplug the printer's power plug from the power outlet. Failure to do so may result in electrical shock.

The standard Centronics parallel interface connector and USB interface connector are located on the rear of the printer.

Parallel Interface Connection



- 1 Plug one end of the printer cable (not included) into the parallel interface connector on the rear of the printer.

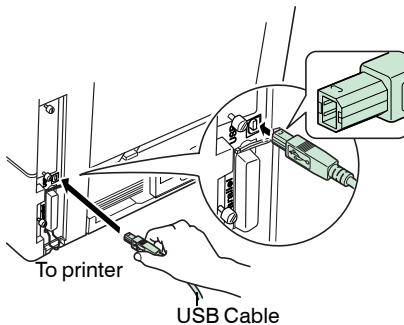


- Use a parallel printer cable that complies with the IEEE1284 standards.
- The printer will work best if it is installed near the computer. The connecting cable should be shielded and not be longer than 3 meters (10 feet).

- 2 Close the clips on both sides to fix the connector in place.

Plug the other end of the printer cable into the computer's Centronics parallel interface connector.

USB (Universal Serial Bus) Interface Connection



- 1 Plug one end of the USB cable on the rear of the printer.



- Use a cable that complies with Revision 2.0 of USB standard (a rectangular Type A plug and a square Type B plug).
- The connecting cable should be shielded and not be longer than 5 meters (16 feet).

- 2 Plug the other end of the USB cable into the computer's USB interface connector.

Connecting the Power Cord

This section describes the procedure for connecting the power cable and various cautions.

Notes on Power Supply

- Install the printer near an AC wall outlet, preferably one that can be used for the printer alone.
- Only use this printer with the supply voltage indicated on the serial number label attached to the printer's rear panel.
- If an extension cord is used, the total length of the power cord plus extension should be 5 meters (16 feet) or less.

Power Requirements

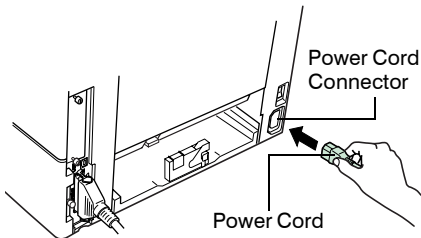
Voltage	110 V, 120 V, 220 to 240 V, $\pm 10\%$ at each voltage
Frequency	60 Hz (110 V, 120 V) $\pm 2\%$, 50/60 Hz (220 to 240 V) $\pm 2\%$
Current capacity	Max. 6.5 A at 110 V, max. 7.1 A at 120 V, or max. 3.8 A at 220 to 240 V

To Connect the Power Cord



Caution

- Be sure the printer's power switch is turned off.
- Only use the power cord supplied with the printer.



- 1** Plug the power cord into the power cord connector on the rear of the printer.

- 2** Connect the other end of the power cord into a power outlet.



Warning

Be sure to connect to a 3-wire grounded power strip.

Adding Paper to the Paper Cassette and MP Tray

The paper cassette can accommodate A5 to Legal size paper and can hold approximately 250 sheets. The Multi-Purpose tray can accommodate the various paper sizes and can hold approximately 50 sheets of paper.

The following paper weights can be used with the printer.

Paper source	Paper weight
Paper cassette	60 to 105 g/m ²
MP tray	60 to 163 g/m ²

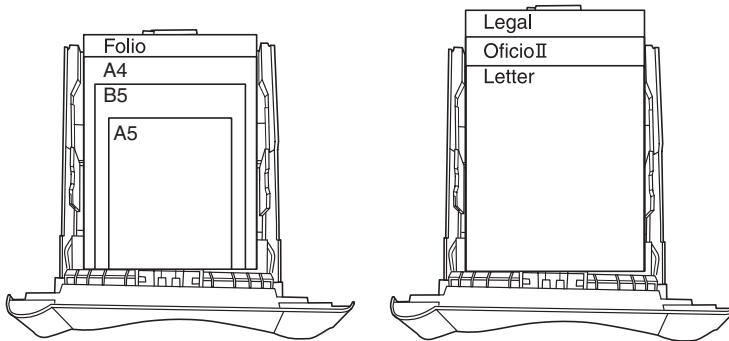


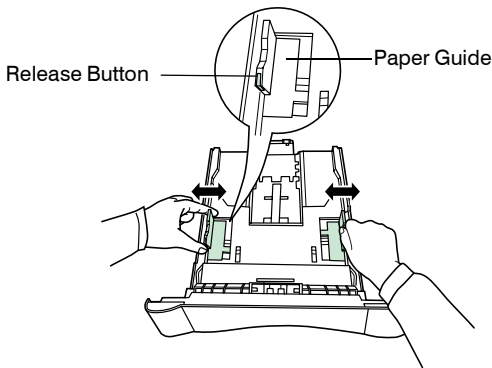
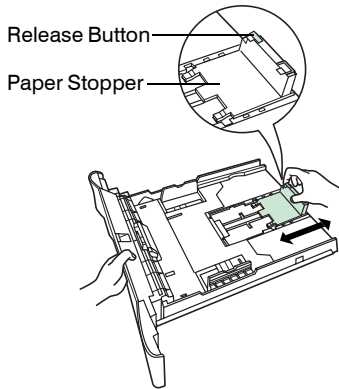
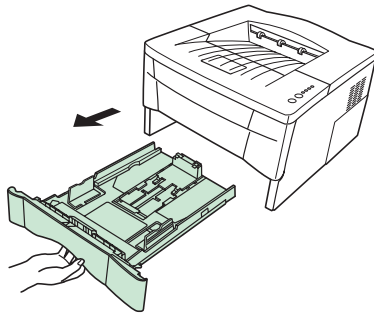
Caution

The edges of paper are sharp. When loading paper, be careful not to cut your hand on the paper.

Paper cassette

Standard paper sizes are attached to the inside of the paper cassette as shown in the following figure. Align the paper guides and paper stopper to the paper size you want to print on as described on the next page.





1 Pull the paper cassette all the way out of the printer.

2 Adjust the position of the paper stopper located at the rear of the paper cassette. Press in the release button and slide the stopper to the desired paper size. When shipped from the factory, the paper cassette is set to either A4 or Letter size.



Note

In order to load either Folio or Oficio II size paper into the paper cassette, refer to *Adjusting the paper stopper for Folio and Oficio II sizes* on page 14 and adjust the paper stopper.

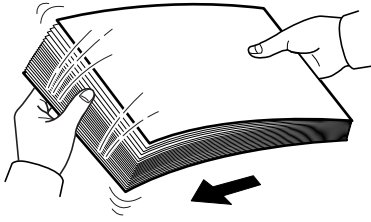
3 Adjust the position of the paper guides located on the left and right sides of the paper cassette. Press in the release button on the left side guide and slide to the desired paper size.

When using custom size paper, move the paper guides and paper stopper all the way out, insert the paper, then adjust the paper guides and paper stopper to the size of the paper. Adjust them so that they are in light contact with the paper.

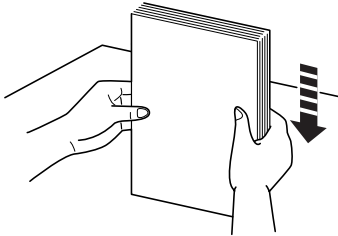


Note

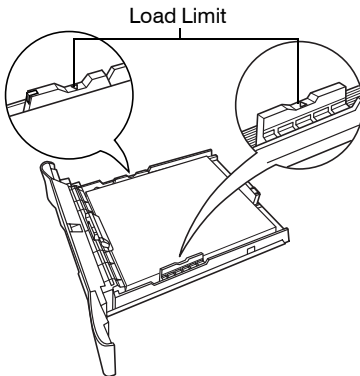
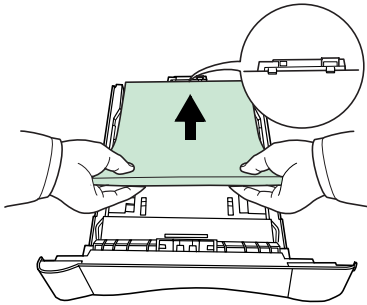
The printer does not automatically detect the size of the paper loaded into the paper cassette or MP tray. As a result, whenever you load paper having a different size, you must adjust the paper size. For details, refer to the *Operation Guide* contained as an electronic file in the CD-ROM supplied with the printer.



Fan the media (paper/transparencies), then tap it on a level surface to avoid media jams or skewed printing.



- 4** Slide the paper into the paper cassette.

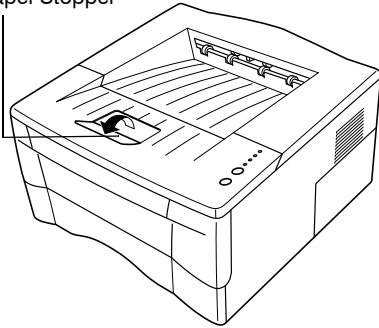


Do not load more paper than will fit under the load limits on the top of the paper guides. (the paper cassette will hold approximately 250 sheets of paper with a 80 g/m² (21 lb.) basis weight, or with a thickness of 110 microns.)

- 5** Insert the paper cassette into the slot in the printer. Push it straight in as far as it will go.

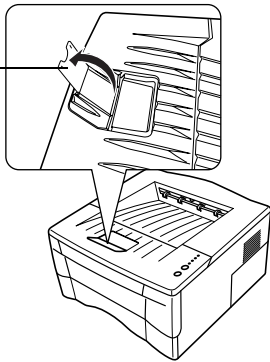
To use large size paper

Paper Stopper



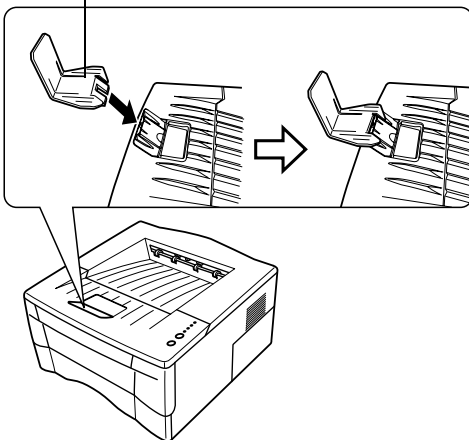
Be sure to open the paper stopper when printing onto A4 or Letter size paper.

Subtray



When printing onto paper of a size larger than A4 or Letter, be sure to open the paper stopper, and then open the subtray as well.

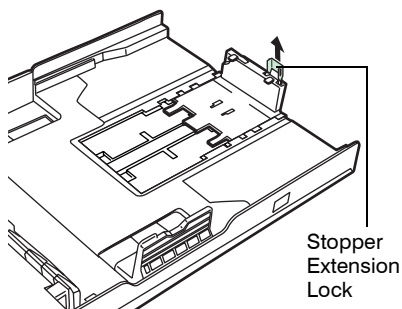
Extension Tray



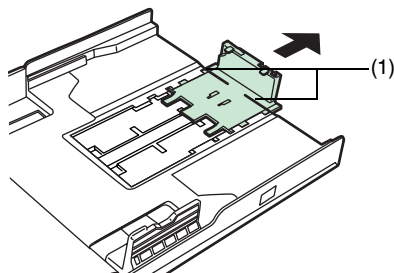
When printing onto Legal size paper, install the extension tray that is included with your printer onto the paper stopper. (The extension tray is supplied for U.S.A. only.)

Adjusting the paper stopper for Folio and Oficio II sizes

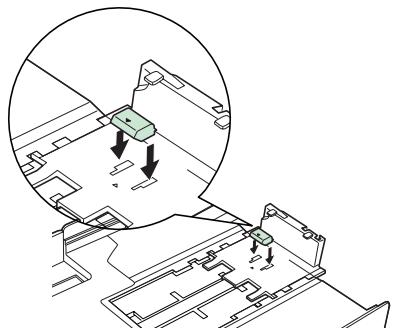
Perform the following procedure in order to adjust the paper stopper when loading Folio and Oficio II size paper into the paper cassette.



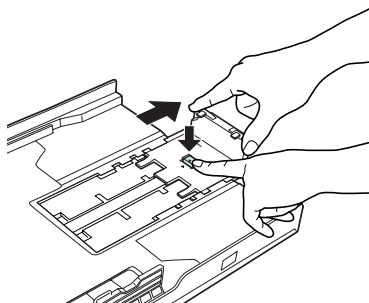
- 1** Remove the stopper extension lock from the paper stopper.



- 2** Slide the paper stopper back until the edge of the cut out portions (1) of the paper stopper are aligned with the back edge of the paper cassette.

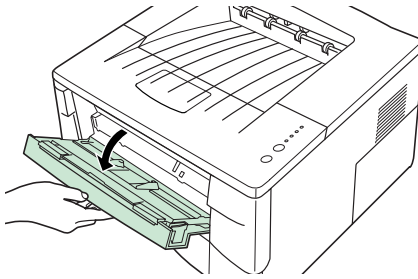


- 3** Insert the stopper extension lock into the holes in the paper stopper.

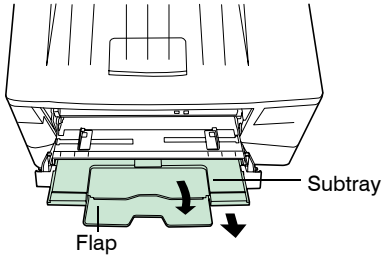


- 4** To secure the stopper extension lock in place, press down on the lock and slide the paper stopper back slightly. The paper stopper will be fixed in place for Folio and Oficio II size paper.

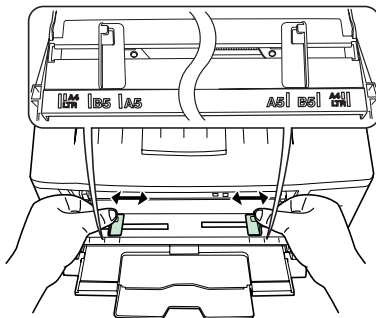
Multi-Purpose (MP) tray



- 1 Pull the MP tray towards you until it stops.



- 2 Pull out the subtray and unfold the flap.



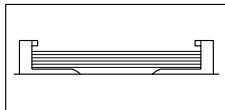
- 3 Adjust the position of the paper guides on the MP tray. Standard paper sizes are attached to the MP tray. For standard paper sizes, slide the guides to the position marked correspondingly.



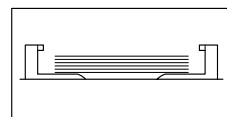
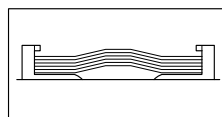
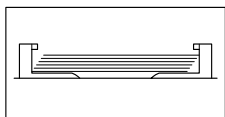
Note

- Do not load more paper than will fit under the load limits on the inside of the MP tray.
- If the paper is considerably curled in one direction, for example, if the paper is already printed on one side, try to roll the paper in the opposite direction to counteract the curl. Printed sheets will then come out flat.

Correct



Incorrect



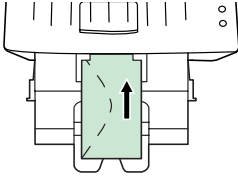
Envelopes

Envelopes should be fed in the face-up position, right edge first.



Note

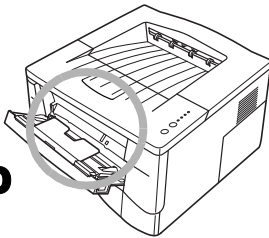
Test a sample envelope on the printer and check that printing quality is satisfactory before purchasing.



Some types of envelopes are not suitable for printing. For details on suitable types of envelopes, see the *Operation Guide* contained as an electronic file in the CD-ROM supplied with the printer.

To close the MP tray

Close the flap on the subtray, then push in the subtray and close the MP tray.



No

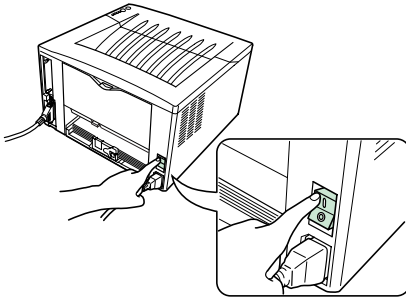


Note

Be careful not to push the tray back into the printer with the subtray folded out horizontally as shown in the figure.

Printing a Status Page

To test the printer, print a status page indicating factory settings.



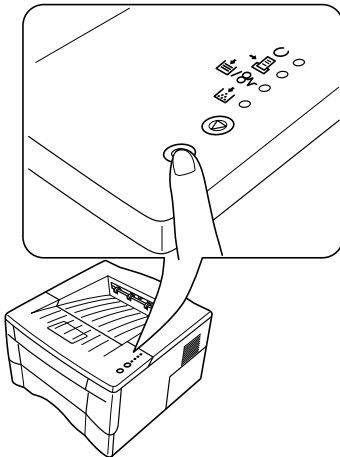
- 1 Turn on the printer's power switch.
Upon turning on the power, the printer's 4 indicators flash in sequence until printer initialization is complete, then the indicator (○ [on line]) lights steadily.



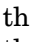
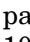
Note

If the indicator does not light, check that previous steps were performed properly.

If you install the toner container and turn on the power, after a moment the indicators light in sequence from top to bottom. **When the printer is first switched on after toner installation, there will be a delay of approximately 15 minutes before the printer gets ready to print.** Once the ○ indicator lights, printer installation is complete.



- 2 The printer can print two different types of status page — standard and service-purpose. A service-purpose status page contains more detailed information about printer settings than a standard status page.

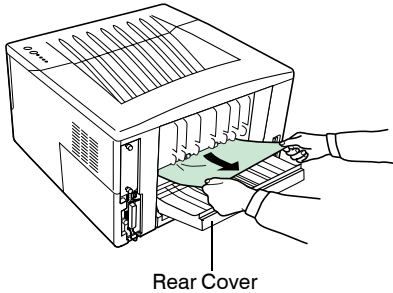
- To print a standard status page, press the  key for at least 3 seconds and the indicators light in sequence from top to bottom.
- To print a service-purpose status page, press the  key for more than 10 seconds and the indicators light in sequence twice from top to bottom.

If the status page prints correctly, printer setup is complete. For details on using the printer, refer to the *Operation Guide* contained as an electronic file in the CD-ROM supplied with the printer.

Correcting a Paper Jam

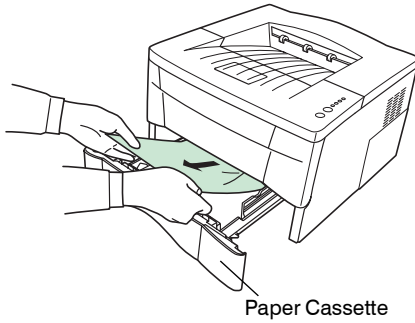
If a paper jam occurs while you are printing, remove the jammed paper as described below. After you have removed the jammed paper, open and close the top cover once.

Jam at the Face-down Tray and the Rear Cover



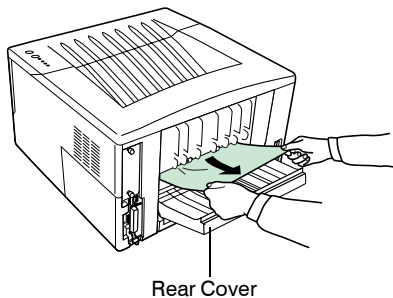
Open the rear cover and remove the jammed paper as shown in the figure.

Jam at the Paper Cassette



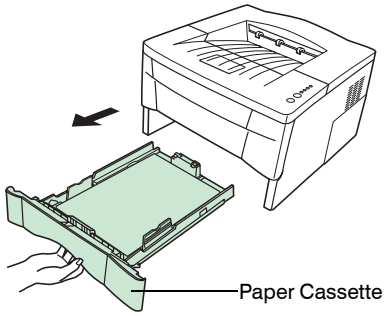
Pull out the paper cassette and remove the jammed paper.

Jam at the Duplexer

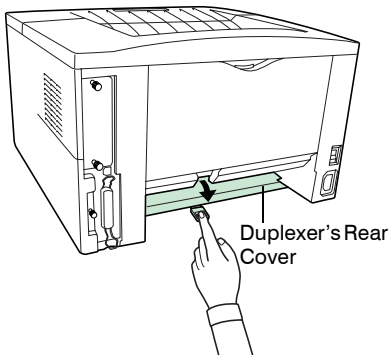


- 1 Open the rear cover and remove the jammed paper as shown in the figure.

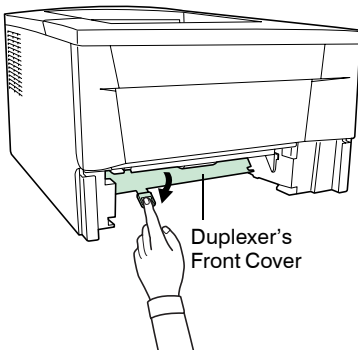
- 2** Pull the paper cassette all the way out of the printer.



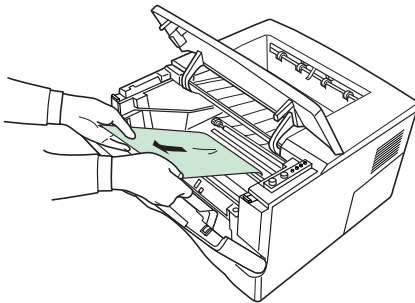
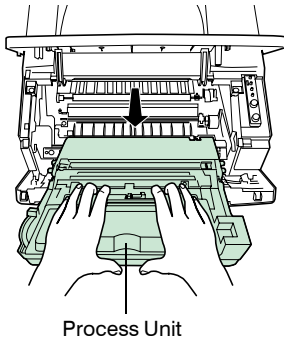
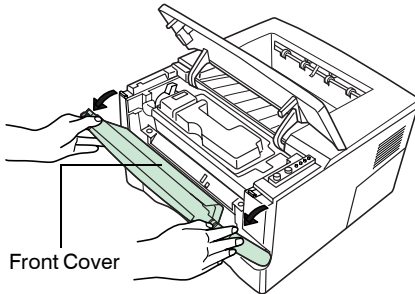
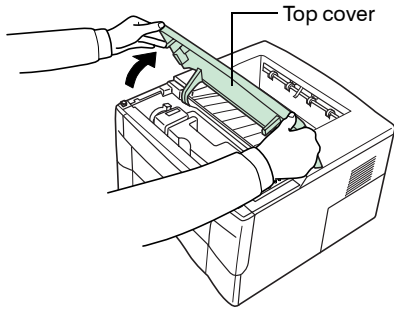
- 3** Open the duplexer's rear cover and remove any jammed paper.



- 4** Open the duplexer's front cover and remove any jammed paper.



Jam Inside the Printer



1 Open the printer's top cover.

2 Open the printer's front cover.

3 Lift the process unit together with the toner container out of the printer.

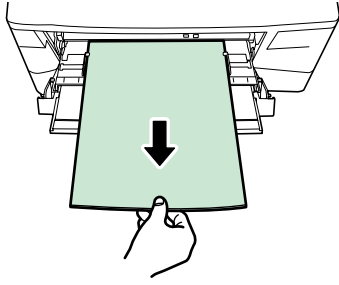
4 Remove the jammed paper.



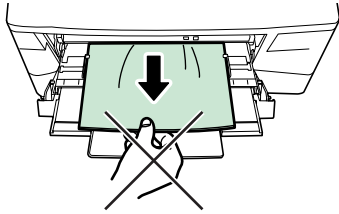
When pulling the paper, pull gently so as not to tear it. Torn pieces of paper are difficult to remove and may be easily overlooked, preventing recovery from the jam.

5 Replace the process unit and toner container, then close the printer.

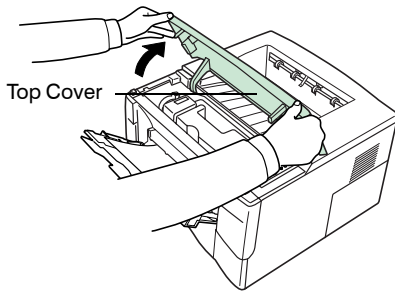
Jam at the MP Tray



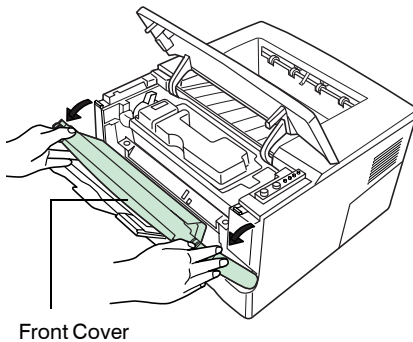
- 1 Leaving any paper that may be jammed there, remove the rest of the paper from the MP tray.



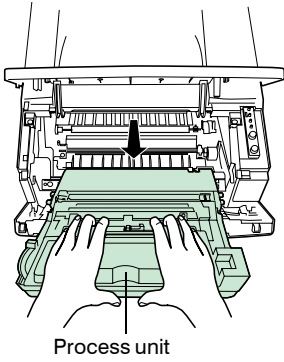
Do not try to forcefully pull out paper that has already been fed partially in to the MP tray. Instead, proceed to the next step.



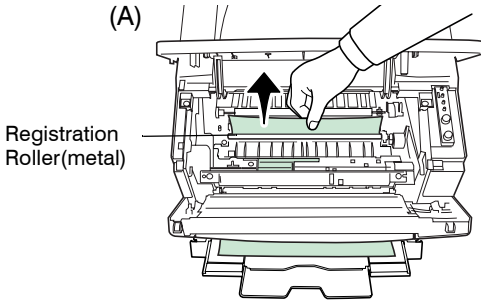
- 2 Open the printer's top cover.



- 3 Open the printer's front cover.

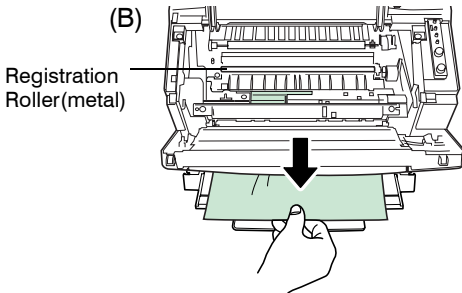


- 4** Lift the process unit, together with the toner container, out of the printer.



- 5** Use the following procedure that corresponds to the status of the jammed paper, in order to remove that paper.

(A) If the leading edge of the jammed paper has been fed further into the printer than the metal registration roller, remove the jammed paper by its leading edge.



(B) If the paper has not been fed as far as the metal registration roller, remove the jammed paper from the MP tray side.

FCC statement (for users in the United States)

This device complies with Part 15 of the FCC Rules. Operation is subject to the following two conditions: (1) This device may not cause harmful interference, and (2) this device must accept any interference received, including interference that may cause undesired operation.

■ Note

This equipment has been tested and found to comply with the limits for a Class B digital device, pursuant to Part 15 of the FCC Rules. These limits are designed to provide reasonable protection against harmful interference in a residential installation. This equipment generates, uses, and can radiate radio frequency energy and, if not installed and used in accordance with the instructions, may cause harmful interference to radio communications. However, there is no guarantee that interference will not occur in a particular installation. If this equipment does cause harmful interference to radio or television reception, which can be determined by turning the equipment off and on, the user is encouraged to try to correct the interference by one or more of the following measures:

- Reorient or relocate the receiving antenna.
- Increase the separation between the equipment and receiver.
- Connect the equipment into an outlet on a circuit different from that to which the receiver is connected.
- Consult the dealer or an experienced radio/TV technician for help.

Changes or modifications not expressly approved by the manufacturer for compliance could void the user's authority to operate the equipment. Shielded circular cable should be used for interfacing with the computer.

■ Caution to user

Any modification without prior permission may cause harmful interference.

If any modification/change is introduced to this equipment without prior permission, Kyocera Mita as the manufacturer cannot guarantee compliance with FCC rules. To use equipment which does not comply with FCC rules is prohibited. The printer may be optionally installed with the following units:

■ Options Conforming to the Class B limits

- IB-11 Serial Interface Board Kit
- IB-20/IB-21E/22 Network Interface Card
- PF-17 Paper Feeder (250 sheets)

Important note on the interface connectors

Be sure to turn off printer power before connecting or disconnecting an interface cable to the printer. For protection against static discharge which may be applied to the printer's internal electronics through the interface connector(s), keep any interface connector which is not in use capped using the protective cap supplied.

Note: Use shielded interface cable.

Safety information

■ Laser safety

This printer is certified as a Class 1 laser product under the U.S. Department of Health and Human Services (DHHS) Radiation Performance Standard according to Radiation Control for Health and Safety Act of 1968. This means that the printer does not produce hazardous laser radiation. Since radiation emitted inside the printer is completely confined within protective housings and external covers, the laser beam cannot escape from the printer during any phase of user operation.

■ Laser notice

This printer is certified in the U.S. to conform to the requirements of DHHS 21 CFR Subchapter for Class I (1) laser products, and elsewhere is certified as a Class I laser product conforming to the requirements of IEC 825.

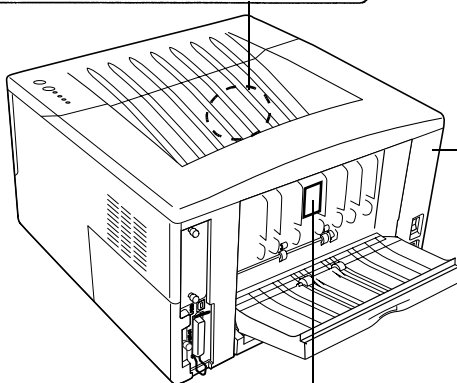
DANGER: INVISIBLE LASER RADIATION WHEN OPEN. AVOID DIRECT EXPOSURE TO BEAM.

CAUTION: Use of controls or adjustments or performance of procedures other than those specified herein may result in hazardous radiation exposure.

■ **Caution labels**

	DANGER - INVISIBLE LASER RADIATION WHEN OPEN. AVOID DIRECT EXPOSURE TO BEAM.
ATTENTION	- RAYONNEMENT LASER INVISIBLE EN CAS D'OUVERTURE. EXPOSITION DANGEREUSE AU FASCICUL.
VORSICHT	- UNSICHTBARE LASERSTRAHLUNG, WENN ABDECKUNG GEÖFFNET. NICHT DEM STRAHLE AUSSETZEN.
ATTENZIONE	- RADIAZIONE LASER INVISIBLE IN CASO DI APERTURA. EVITARE L'ESPOSIZIONE AL FASCIO.
PRECAUZIONI	- RADIAZIONE LASER INVISIBLE CUANDO SE ABRE. EVITAR EXPOSICION AL RAYO.
VAROJ	- AVATTAESA OLET ALTIMA NÄKYVÄTÄMÄLLE LASERGAATELLELLE. ÄLÄ KATSO SÄTEESIEN.
警告	- レーザーの光束が射出される時にレーザー光が照射されています。 レーザー光にさらされるまいようにしてください。
警告	- 开蓋時、可能有害光外溢！ 应即避免光直接照射。
警告	- 开蓋時が射光が、請勿直接打視蓋字。
위험	- 레이저 광선을 직접 보지 마세요.

Label inside the printer (Laser radiation warning)



FS-1020D 220-240V ~ 50/60Hz 3.8A

KYOCERA MITA CORPORATION
CLASS 1 LASER PRODUCT TO IEC25
LASER KLASSE 1 NACH IEC25
KLASSE 1 LASER PRODUKT I.H.T. IEC25
LUOKAN 1 LASERLAITE

CAUTION ACN0088244
REMOVE POWER CORD BEFORE SERVICE AND FUSE REPLACEMENT.

VORSICHT
VOR WARTUNG UND SICHERUNGSWECHSEL, NETZSTECKER ZIEHEN.

ATTENTION
POUR PREVENIR LES CHOCS ELECTRIQUES, COUPER L'ALIMENTATION AVANT DE REMPLACER LE FUSIBLE.

ATENCIÓN
DESENCHUFAR EL CORDÓN DE ALIMENTACION ANTES DEL SERVICIO Y DEL REEMPLAZO DEL FUSIBLE.

PRECAUZIONE
PRIMA DI CAMBIARE I FUSIBILI O DI ESEGUIRE RIPARAZIONI, STACCATRE IL CADO DI ALIMENTAZIONE.

DESIGNED IN JAPAN / ASSEMBLED IN CHINA XBSK

FS-1020D 120V ~ 60Hz 7.1A

KYOCERA MITA CORPORATION
TAMAKI PLANT
705-18 NINOBU, TAMAKI-TOWN
WATARAI-COUNTY, MIIE-PREF. JAPAN
MANUFACTURED: C11

THIS LASER PRODUCT CONFORMS TO THE APPLICABLE REQUIREMENTS OF FEDERAL REGULATIONS 21 CFR CHAPTER 1, SUBCHAPTER J.

UL LISTED
UL 1950

FOR HOME OR OFFICE USE
This device complies with Part 15 of the FCC Rules. Operator is subject to the following two conditions: (1) This device may not cause harmful interference, and (2) this device must accept any interference received, including interference that may cause undesired operation.
This Class B digital apparatus complies with Canadian ICES-003.
Cet appareil numérique de la classe B est conforme à la norme NMB-003 du Canada.

CAUTION
REMOVE POWER CORD BEFORE SERVICE AND FUSE REPLACEMENT.

ATTENTION
POUR PREVENIR LES CHOCS ELECTRIQUES, COUPER L'ALIMENTATION AVANT DE REMPLACER LE FUSIBLE.

PRECAUZIONE
PRIMA DI CAMBIARE I FUSIBILI O DI ESEGUIRE RIPARAZIONI, STACCATRE IL CADO DI ALIMENTAZIONE.

DESIGNED IN JAPAN / ASSEMBLED IN CHINA XBSK

(European/Asian/Pacific countries) (U.S.A./Canada)

CAUTION
HOT SURFACE

ACHTUNG
HEISSE OBERFLÄCHE

ATTENTION
TEMPÉRATURE ÉLEVÉE

ATTENCIÓN
EXTERIOR CALIENTE

ATTENZIONE
SUPERFICIE CHE SCOTIA

高温注意

고온주의

Label inside the rear

Label on the printer's rear panel

CDRH regulations

The Center of Devices and Radiological Health (CDRH) of the U.S. Food and Drug Administration implemented regulations for laser products on August 2, 1976. These regulations apply to laser products manufactured after August 1, 1976. Compliance is mandatory for products marketed in the United States. A label indicating compliance with the CDRH regulations must be attached to laser products marketed in the United States.

Ozone concentration

The printers generate ozone gas (O₃) which may concentrate in the place of installation and cause an unpleasant smell. To minimize concentration of ozone gas to less than 0.1 ppm, we recommend you not to install the printer in a confined area where ventilation is blocked.

IMPORTANT SAFEGUARDS

1. Read all of these instructions and save these instructions for later use.
2. Unplug this product from the wall outlet before cleaning.
3. Do not use this product near water.
4. Do not place this product on an unstable cart, stand, or table. The product may fall, causing serious damage to the product.
5. Slots and openings in the cabinet and the back are provided for ventilation to ensure reliable operation of the product and to protect it from overheating, these openings must not be blocked or covered. The openings should never be blocked by placing the product on a bed, sofa, rug, or other similar surface. This product should never be placed near or over a radiator or heat register. This product should not be placed in a built-in installation unless proper ventilation is provided.
6. This product is equipped with a 3-wire grounding type plug, a plug having a third (grounding) pin. This plug will only fit into a grounding-type power outlet. This is a safety feature. If you are unable to insert the plug into the outlet, contact your electrician to replace your obsolete outlet. Do not defeat the purpose of the grounding-type plug.
7. Do not allow anything to rest on the power cord. Do not locate this product where persons will walk on the cord.
8. If an extension cord is used with this product, make sure that the total of the ampere ratings on the products plugged into the extension cord do not exceed the extension cord ampere rating.
9. Never push objects of any kind into this product through cabinet slots as they may touch dangerous voltage points or short out parts that could result in a risk of fire or electric shock. Never spill liquid of any kind on the product.
10. Except as explained elsewhere in User's Manual, do not attempt to service this product yourself. Removing covers may expose you to dangerous voltage points or other risks. Refer all servicing in those compartments to service personnel.
11. Unplug this product from the wall outlet and refer servicing to qualified service personnel under the following conditions:
 - A- When the power cord or plug is damaged or frayed.
 - B- If liquid has been spilled into the product.
 - C- If the product has been exposed to rain or water.
 - D- If the product does not operate normally when the operating instructions are followed. Adjust only those controls that are covered by the operating instructions since improper adjustment of other controls may result in damage and will often require extensive work by a qualified technician to restore the product to normal operation.
 - E- If the product has been dropped or the cabinet has been damaged.

Canadian Department of Communications compliance statement

This Class B digital apparatus complies with Canadian ICES-003.

Avis de conformité aux normes du ministère des Communications du Canada

Cet appareil numérique de la classe B est conforme à la norme NMB-003 du Canada.

ISO 7779

Maschinenlärminformationsverordnung 3. GSGV, 18.01.1991: Der höchste Schalldruckpegel beträgt 70 dB(A) oder weniger gemäß ISO 7779.

CE Marking Directive

according to *Council Directive 89/336/EEC and 73/23/EEC*

Manufacturer's name: Kyocera Mita Corporation Tamaki Plant
Manufacturer's address: 704-19 Nojino, Tamaki-Cho, Watarai-Gun, Mie-Ken 519-0497, Japan

declares that the product

Product name: Page Printer
Model number: FS-1020D (as tested with the enhancement optional unit: PF-17 and IB-21E)

conforms to the following product specifications.

EN 55 022:1998 Class B

EN 61 000-3-2:1995

EN 61 000-3-3:1995

EN 55 024:1998

EN 60 950:1992 (+A1+A2+A3+A4+A11)

EN 60 825-1:1994+A11

The manufacturer and its merchandising companies retain the following technical documentation in anticipation of the inspection that may be conducted by the authorities concerned.

User's instruction that conforms to the applicable specifications

Technical drawings

Descriptions of the procedures that guarantee the conformity

Other technical information

Declaration of Conformity (Australia)

Manufacturer's name: Kyocera Mita Corporation Tamaki Plant
Manufacturer's address: 704-19 Nojino, Tamaki-Cho, Watarai-Gun, Mie-Ken 519-0497, Japan

declares that the product

Product name: Page Printer
Model number: FS-1020D (as tested with the enhancement optional unit: PF-17 and IB-21E)

Description of device:

The model FS-1020D is a 20-ppm, A4 size plain paper supporting page printer, utilizing laser, dry toner, etc.

The printer can be equipped with the optional paper feeder model PF-17.

Conforms to the following product specifications.

AS/NZS 3548: 1995 (EN 55 022:1998 Class B)

IEC 60950 (EN 60 950:1992+A1+A2+A3+A4+A11)

IEC 60825-1 (EN 60 825-1:1994+A11)

The manufacturer and its merchandising companies retain the following technical documentation in anticipation of the inspection that may be conducted by the authorities concerned.

User's instruction that conforms to the applicable specifications

Technical drawings

Descriptions of the procedures that guarantee the conformity

Other technical information

Kyocera Mita Australia Pty., Ltd.

6-10 Talavera Road, North Ryde, NSW 2113, Australia

Phone: +61 2-9888-9999

Fax: +61 2-9888-9588

Declaration of Conformity (U.S.A.)

Model Number: Page Printer FS-1020D (as tested with enhancement optional units: PF-17, IB-21E.)
Trade Name: Kyocera Mita
Responsible Party: Kyocera Mita America Inc.
Address: 225 Sand Road PO Box 40008 Fairfield, New Jersey 07004-0008, U.S.A.
Telephone number: (973) 808-8444
Fax number: (973) 882-6000

Manufacturer's name: Kyocera Mita Corporation Tamaki Plant
Manufacturer's address: 704-19 Nojino, Tamaki-Cho, Watarai-Gun, Mie-Ken 519-0497, Japan

This device complies with Part 15 of the FCC Rules, Operation is subject to the following two conditions: (1) This device may not cause harmful interference, and (2) this device must accept any interference received, including interference that may cause undesired operation.

The manufacturer and its merchandising companies retain the following technical documentation in anticipation of the inspection that may be conducted by the authorities concerned.

User's instruction that conforms to the applicable specifications.
Technical drawings.
Descriptions of the procedures that guarantee the conformity.
Other technical information.

Kyocera Mita America Inc.

Disclaimer

We shall have no liability or responsibility to customers or any other person or entity with respect to any liability, loss or damage caused or alleged to be caused directly or indirectly by equipment sold or furnished by us, including but not limited to, any interruption of service, loss of business or anticipatory profits, or consequential damages resulting from the use or operation of the equipment or software.

Prolonged Non-Use and Moving the Printer

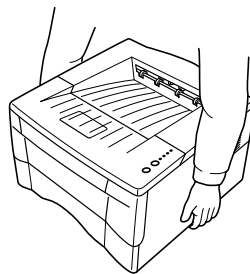
■ Prolonged Non-use

If you ever leave the printer unused for a long period of time, remove the power cord from the wall outlet. We recommend you consult with your dealer about the additional actions you should take to avoid possible damages that may occur when the printer is used next time.

■ Moving the Printer

When you move the printer:

- Move it gently.
- Keep it as level as possible, to avoid spilling toner inside the printer as shown in the figure.
- If you ship the printer, remove and ship the process unit separately. Pack the process unit in a plastic bag and ship them separate from the printer itself. Be sure to consult a serviceman before attempting long-distance transportation of the printer.





As an ENERGY STAR Partner, we have determined that this product meets the ENERGY STAR guidelines for energy efficiency.

The basic objective of the ENERGY STAR Program is to reduce environmental pollution by encouraging the manufacture and sale of equipment that uses energy more efficiently.

This printer is equipped with a sleep timer function that conforms with the standards of the ENERGY STAR Program. This function makes it possible to reduce the amount of electrical power consumed by the printer. For maximum power savings, turn off the printer's power supply when not using the printer for extended periods of time.

For details on the sleep timer function and printer power consumption, refer to the CD-ROM instruction manual provided with the printer.

Initial settings of the sleep timer function and power saved using the sleep timer function:

Initial sleep mode setting	Power consumption in sleep mode
5 minutes (15 minutes)	4.3 W (20 W) [220 to 240 V, 50 Hz/60 Hz] 4.4 W (20 W) [110 V, 60 Hz] 4.5 W (20 W) [120 V, 60 Hz]

(): ENERGY STAR program guideline

Group for Energy Efficient Appliances (GEEA)



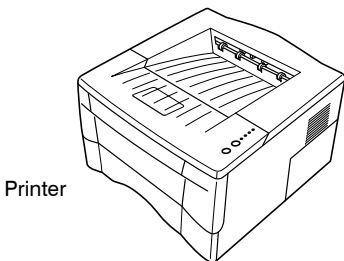
The goal of GEEA is efficient use of energy. This product has a high-efficiency profile and meets the criteria for receiving the GEEA-Label.

Initial sleep mode setting	Power consumption in sleep mode
5 minutes (15 minutes)	4.3 W (10 W) [220 to 240 V, 50 Hz/60 Hz] 4.4 W (10 W) [110 V, 60 Hz] 4.5 W (10 W) [120 V, 60 Hz]

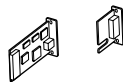
(): GEEA criteria

Options

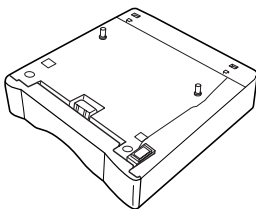
The following options are available for the printer.



Printer



1 Network Interface Card (3.3 V DC) or Serial Interface Board Kit (IB-11)



2 Paper feeder (PF-17)

1	Network Interface Card (IB-20/21E/22)
	Enables printing from multiple computers via a network.
2	Serial Interface Board Kit (IB-11)
	Connect to the computer's serial printer port with a serial cable.
2	Paper Feeder (PF-17)
	Holds approximately 250 sheets of A5 to Legal size paper.
Other Options	
Memory DIMM, CompactFlash™ card	
See your dealer for purchasing information of these optional devices that are best suited for use with this printer.	


Regarding Tradenames

KPDL and KIR (Kyocera Image Refinement) are trademarks of Kyocera Corporation.

Hewlett-Packard, PCL, and PJI are registered trademarks of Hewlett-Packard Company. Centronics is a trade name of Centronics Data Computer Corp. PostScript is a registered trademark of Adobe Systems Incorporated. Adobe and Acrobat are trademarks of Adobe Systems Incorporated. ENERGY STAR is a U.S. registered mark. All other brand and product names are registered trademarks or trademarks of their respective companies.

This Kyocera Mita page printer uses PeerlessPrintXL to provide the HP LaserJet compatible PCL 6 language emulation. PeerlessPrintXL is a trademark of The Peerless Group, Redondo Beach, CA 90278, U.S.A.

This product was developed using the Tornado™ Real Time Operating System and Tools from Wind River Systems.

AGFA  This product contains UFST™ and MicroType® fonts from Agfa Corporation.

IBM PROGRAM LICENSE AGREEMENT

THE DEVICE YOU HAVE PURCHASED CONTAINS ONE OR MORE SOFTWARE PROGRAMS ("PROGRAMS") WHICH BELONG TO INTERNATIONAL BUSINESS MACHINES CORPORATION ("IBM"). THIS DOCUMENT DEFINES THE TERMS AND CONDITIONS UNDER WHICH THE SOFTWARE IS BEING LICENSED TO YOU BY IBM. IF YOU DO NOT AGREE WITH THE TERMS AND CONDITIONS OF THIS LICENSE, THEN WITHIN 14 DAYS AFTER YOUR ACQUISITION OF THE DEVICE YOU MAY RETURN THE DEVICE FOR A FULL REFUND. IF YOU DO NOT SO RETURN THE DEVICE WITHIN THE 14 DAYS, THEN YOU WILL BE ASSUMED TO HAVE AGREED TO THESE TERMS AND CONDITIONS.

The Programs are licensed not sold. IBM, or the applicable IBM country organization, grants you a license for the Programs only in the country where you acquired the Programs. You obtain no rights other than those granted you under this license.

The term "Programs" means the original and all whole or partial copies of it, including modified copies or portions merged into other programs. IBM retains title to the Programs. IBM owns, or has licensed from the owner, copyrights in the Programs.

1. License

Under this license, you may use the Programs only with the device on which they are installed and transfer possession of the Programs and the device to another party.

If you transfer the Programs, you must transfer a copy of this license and any other documentation to the other party. Your license is then terminated. The other party agrees to these terms and conditions by its first use of the Program.

You may not:

- 1) use, copy, modify, merge, or transfer copies of the Program except as provided in this license;
- 2) reverse assemble or reverse compile the Program; or
- 3) sublicense, rent, lease, or assign the Program.

2. Limited Warranty

The Programs are provided "AS IS."

THERE ARE NO OTHER WARRANTIES COVERING THE PROGRAMS (OR CONDITIONS), EXPRESS OR IMPLIED, INCLUDING, BUT NOT LIMITED TO, THE IMPLIED WARRANTIES OF MERCHANTABILITY AND FITNESS FOR A PARTICULAR PURPOSE.

Some jurisdictions do not allow the exclusion of implied warranties, so the above exclusion may not apply to you.

SUPPLEMENT TO AGREEMENT FOR SOFTWARE BUNDLING AND DISTRIBUTION FOR ALDC

3. Limitation of Remedies

IBM's entire liability under this license is the following;

1) For any claim (including fundamental breach), in any form, related in any way to this license, IBM's liability will be for actual damages only and will be limited to the greater of:

- a) the equivalent of U.S.\$25,000 in your local currency; or
- b) IBM's then generally available license fee for the Program

This limitation will not apply to claims for bodily injury or damages to real or tangible personal property for which IBM is legally liable.

IBM will not be liable for any lost profits, lost savings, or any incidental damages or other economic consequential damages, even if IBM, or its authorized supplier, has been advised of the possibility of such damages. IBM will not be liable for any damages claimed by you based on any third party claim. This limitation of remedies also applies to any developer of Programs supplied to IBM. IBM's and the developer's limitations of remedies are not cumulative. Such developer is an intended beneficiary of this Section. Some jurisdictions do not allow these limitations or exclusions, so they may not apply to you.

4. General

You may terminate your license at any time. IBM may terminate your license if you fail to comply with the terms and conditions of this license. In either event, you must destroy all your copies of the Program. You are responsible for payment of any taxes, including personal property taxes, resulting from this license. Neither party may bring an action, regardless of form, more than two years after the cause of action arose. If you acquired the Program in the United States, this license is governed by the laws of the State of New York. If you acquired the Program in Canada, this license is governed by the laws of the Province of Ontario. Otherwise, this license is governed by the laws of the country in which you acquired the Program.

This page intentionally left blank.

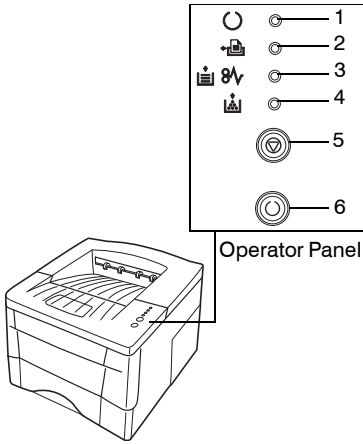
This page intentionally left blank.

**QUALITY
CERTIFICATE**

This machine has passed
all quality controls and
final inspection.

Operating Keys and Indicators

For details on operating procedures, see the *FS-1020D Operation Guide* contained as an electronic file in the CD-ROM supplied with the printer.



Number	Name	Function
1	Ready indicator	Indicates whether the printer is on-line or off-line.
2	Data indicator	Indicates that the printer is receiving data.
3	Attention indicator	Indicates whether the paper cassette is empty or a paper jam has occurred.
4	Toner indicator	Indicates when toner is low, or when toner is exhausted.
5	(Cancel key)	Abandons a printing job.
6	(Go key)	<ul style="list-style-type: none">• Switches the printer on-line and off-line.• When pressed for 3 or more seconds, prints a user status page.• Prints and feeds out one page.