

Smartphone Ready Whiteboard 'MTG Sync' - User's Manual

Thank you for your purchase of Smartphone Ready Whiteboard 'MTG Sync'. Please read through this User's Manual carefully to ensure correct usage of the product. Please keep this manual in a safe place.

1. Please read and follow the directions below for proper and safe use.

Warning

- Dispose of this product properly. Do not incinerate. If incinerated, the product may release toxic gas.

Caution

- Do not remove the PLUS logo sticker. Doing so may render the product inoperable and will void the warranty.
- Setup the product in accordance with the Setup Instructions found in the back of this manual. Incorrect setup may lead to damage or injury.
- Do not disassemble or modify the product. Doing so could lead to damage or injury.

2. Cautions on usage

1. Do not set the product in hot locations, areas near a heating device or in direct sunlight. Doing so may lead to discoloration or warping.
2. Do not set the product in places exposed to dust or humidity. Doing so may lead to discoloration, warping or corrosion.
3. If water or other liquids are spilled on the product, wipe it dry immediately. Otherwise discoloration or warping may occur.
4. The template sheet and pen tray are attached to the whiteboard with magnets. Avoid close proximity with magnetic storage devices such as bank cards and train passes. There is a risk that the memory data could be damaged if such devices are brought within around 10 cm (4 inches) of the product. Do not place objects other than the markers and eraser in the pen tray. They may fall and lead to damage or injury.
5. Refrain from using the product outdoors or places where it may come in contact with water. It may lead to rust or damage.
6. Do not use thumbtacks, nails, ballpoint pens or other metal objects on the whiteboard as any damage they may cause is irreparable.
7. Avoid using tape or adhesive agents on the whiteboard.
8. Do not drop or hit hard objects on/against the whiteboard or frame. Doing so could lead to damage.
9. Mount this product on a flat wall so that it is level with the wall. If it is mounted at an angle, it could lead to damage or injury.
10. Do not use the product in a rough manner or for any other purpose than that which it is intended. It could lead to malfunctions, damage or accidents.
11. Use the dry-erase markers and the included eraser to write on the whiteboard or erase.
12. Do not leave writing on the whiteboard for an extended period of time as it may become difficult to erase.
13. Make sure you do not use oil-based markers or paint markers as they cannot be erased. Always use dry-erase markers.

3. Cleaning

1. Avoid using benzene, thinner, petroleum, acid, polishing powder, scouring pads, hot water and so on when cleaning as it will damage the surface of the whiteboard.
2. If the whiteboard becomes dirty, wipe it with a water dampened, well-wrung out clean cloth. Writing can become difficult to erase if the whiteboard is dirty.
If the whiteboard is notably dirty, wipe using a mild detergent diluted more than 10 times, then wipe with a well-wrung out cloth to remove all detergent. Afterwards, wipe with a dry, soft cloth.
3. If the eraser becomes covered in a significant amount of marker ink, replace it with a new one. If not replaced, it will dirty the whiteboard and not erase writing properly.
The sponge of the eraser that comes with the main unit can be removed from the case and turned over for further use (double-sided).
A four-sided replacement eraser (ER-44369) is also available.

4. How to use

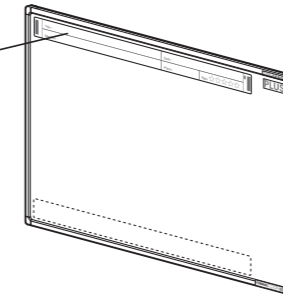
Caution

Do not dirty or peel away or otherwise obscure the PLUS logo on the template sheet. Furthermore, do not attach the pen tray where it will cover part of the template sheet when the image is captured. Failure to adhere to the above will prevent the smartphone function from working.

• Attaching the template sheet

Attach the template sheet by pressing its magnetic back up against either the top or the bottom of the whiteboard frame.

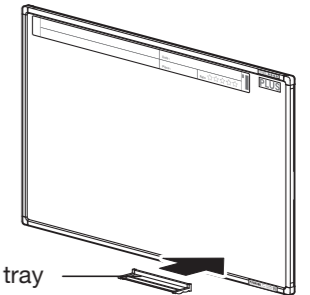
② Template sheet



• Attaching the pen tray

Attach the pen tray (magnetic) to the bottom edge of the whiteboard.

③ Pen tray



5. Specifications

Order code	Product no.	Specifications	Main unit size (Excluding protruding parts)			Weight	Mounting brackets (QTY) Long side x short side
			Width	Height	Thickness		
423-353	SWB-1812SW	Steel plate / Plain	1800 mm (70.87 inches)	1200 mm (47.25 inches)	20 mm (0.79 inches)	14 kg (30.84 lb)	2 x 0
423-354	SWB-1209SW	Steel plate / Plain	1200 mm (47.25 inches)	900 mm (35.43 inches)	20 mm (0.79 inches)	7.1 kg (15.64 lb)	2 x 0

Material: Frame and mounting brackets – aluminum, corner parts – ABS, core – cardboard, pen tray – ABS/magnet, board – coated steel sheet

* Please note that specifications and design of this product may change without prior notice.

Note

Recommended marker : MARKER-BK black [Order code 423-283] Recommended eraser : ER-44369[Order code 44-369]
MARKER-RD red [Order code 423-284]

6. For enquiries relating to product specifications

Please direct enquiries relating to this product to the store of purchase or Authorized Dealer/Distributor as shown below. Please have the product number and serial number ready. These are found on the the product label.

See the below website for details on how to use MTG Sync.

<http://www.plus-vision.com/en/product/mtgsync/index.html>

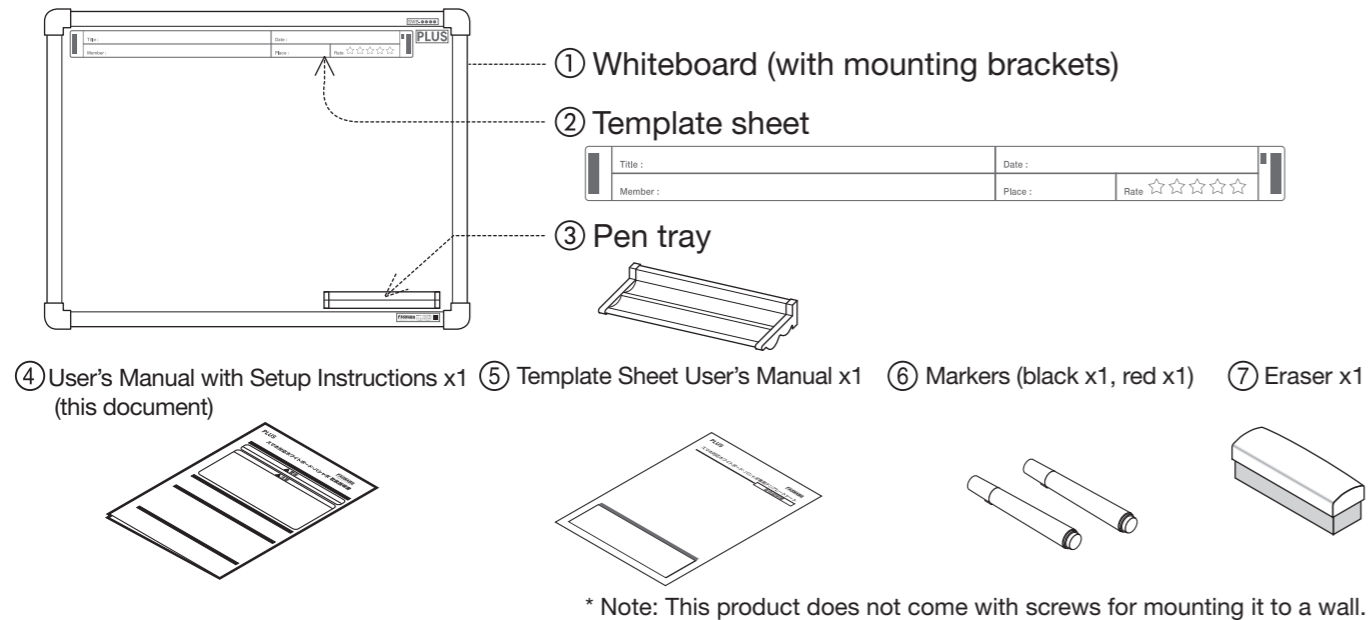
PLUS Corporation



Smartphone Ready Whiteboard 'MTG Sync' - Setup Instructions

- Be sure to setup the product in accordance with the instructions below. Incorrect setup may lead to damage.
- When mounting the whiteboard, make sure the mounting brackets are securely set on the screws to prevent damage or injury.

1. Check product contents



2. Attach components

1. Attach the template sheet to the board using its magnetic back.
2. Attach the pen tray to the board using its magnet.

3. Mount on a wall

This task requires 2 or more people.

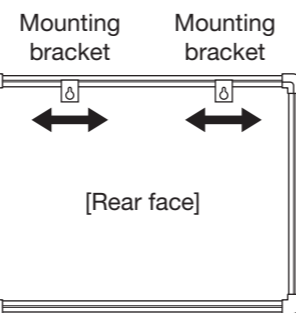
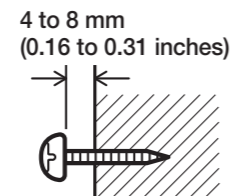
Tools Needed:

- ① Screwdriver.
- ② Two screws with a nominal diameter of 3 to 5 mm (0.12 to 0.2 inches) and a head diameter of 6 to 14 mm (0.23 to 0.55 inches). Be sure to select the appropriate screws for your wall material. Refer the section in the instructions, "Mounting Methods for Various Materials."

⚠ Caution

The product mounting method differs depending on the wall material. Please carefully read the section of this manual titled "Mounting Methods for Various Materials." Make sure you select the appropriate type of screws for your mounting material and make sure that the wall is strong enough to support the total weight of the main unit. If the wall is not strong enough, the board or wall may be damaged.

1. Place the screws in the wall in a level, horizontal manner and in the designated positions (one on the left, one on the right). Be sure to leave 4 to 8 mm (0.16 to 0.31 inches) of distance between the head of the screws and the wall in order to fit the mounting brackets.

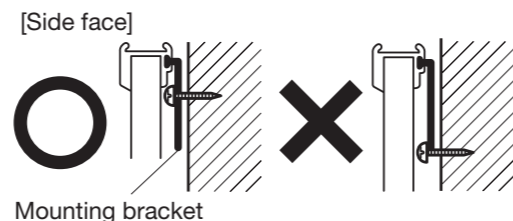


2. Set the two mounting brackets in the top section on the back side of the whiteboard. Slide the mounting brackets to the left and right in order to align them with the two screws.

3. Firmly hook the holes of the mounting brackets into the 2 screws on the wall.

⚠ Caution

Make sure the mounting brackets holes are firmly hooked into the screws. It is possible for the underside of the mounting brackets to catch on the screws, which may lead to the whiteboard falling. To ensure that the board is properly anchored, carefully move it left and right and forwards and backwards.



Mounting Method for Various Materials

1. Confirm the type of material that the wall is made of and select the suitable plug and anchor types from the below table.
2. Use screws with a nominal diameter of 3 to 5 and a head diameter of 6 to 14 mm (0.23 to 0.55 inches).
3. Mount the selected plugs and anchors using the indicated mounting method.

Wall material	Suitable plug & anchor mounting method																																			
Wooden wall	<p>Wood screws</p> <p>① Use an auger or similar sharp tool to make a starter hole of the suitable size.</p> <p>② Screw in the wood screw, leaving a distance between the head of the screw and the wall of between 4 to 8 mm (0.16 to 0.31 inches).</p> <p>③ Hook the mounting brackets on the screws.</p> <p>4 to 8 mm (0.16 to 0.31 inches)</p>																																			
Veneer board Plaster board Gypsum board (Gypsum lining)	<p>Hollow wall anchors Hollow wall anchors designed to open up into an umbrella shape for secure attachment.</p> <p>• Selection based on wall thickness</p> <table border="1"> <thead> <tr> <th>Name</th> <th>Wall thickness</th> <th>Pilot hole dia.</th> </tr> </thead> <tbody> <tr><td>4 · XS</td><td>1.6 - 5</td><td rowspan="4">8.0</td></tr> <tr><td>4 · S</td><td>6 - 12</td></tr> <tr><td>4 · SL</td><td>12 - 18</td></tr> <tr><td>4 · L</td><td>18 - 22</td></tr> <tr><td>4 · XL</td><td>32 - 38</td><td rowspan="4">10.0</td></tr> <tr><td>6 · XS</td><td>1.6 - 5</td></tr> <tr><td>6 · MS</td><td>1.6 - 9.5</td></tr> <tr><td>6 · S</td><td>9 - 16</td></tr> <tr><td>6 · L</td><td>14 - 32</td><td rowspan="4">12.0</td></tr> <tr><td>4 · XL</td><td>35 - 45</td></tr> <tr><td>8 · S</td><td>9 - 16</td></tr> <tr><td>8 · L</td><td>14 - 32</td></tr> <tr><td>8 · XL</td><td>35 - 45</td><td></td></tr> </tbody> </table> <p>■ Mounting method</p> <p>① Select a drill of the appropriate size and drill a hole.</p> <p>② Insert the selected hollow wall anchor into the wall and tighten with a screwdriver.</p> <p>③ Once the umbrella has opened by tightening the screw, bring the screw back 4 to 8 mm (0.16 to 0.31 inches) from the wall.</p> <p>④ Hook the mounting brackets onto the screws.</p>	Name	Wall thickness	Pilot hole dia.	4 · XS	1.6 - 5	8.0	4 · S	6 - 12	4 · SL	12 - 18	4 · L	18 - 22	4 · XL	32 - 38	10.0	6 · XS	1.6 - 5	6 · MS	1.6 - 9.5	6 · S	9 - 16	6 · L	14 - 32	12.0	4 · XL	35 - 45	8 · S	9 - 16	8 · L	14 - 32	8 · XL	35 - 45			
Name	Wall thickness	Pilot hole dia.																																		
4 · XS	1.6 - 5	8.0																																		
4 · S	6 - 12																																			
4 · SL	12 - 18																																			
4 · L	18 - 22																																			
4 · XL	32 - 38	10.0																																		
6 · XS	1.6 - 5																																			
6 · MS	1.6 - 9.5																																			
6 · S	9 - 16																																			
6 · L	14 - 32	12.0																																		
4 · XL	35 - 45																																			
8 · S	9 - 16																																			
8 · L	14 - 32																																			
8 · XL	35 - 45																																			
Concrete wall Brick Block tiles Marble Rock	<p>Toggle anchors Strong anchorage for wooden walls.</p> <p>• Can be mounted even if the hollow portion is small, as is the case for the gypsum lining.</p> <p>■ Mounting method</p> <p>① Fold up the legs.</p> <p>② Insert the legs into the hole and open them on the inside of the hollow wall using a pin-like object. Wood screws or tapping screws with diameters of 3.5 to 6 mm (0.14 to 0.23 inches) can be used.</p> <p>③ Leave a distance between the head of the screw and the wall of between 4 to 8 mm (0.16 to 0.31 inches).</p> <p>④ Hook the mounting brackets on the screws.</p> <table border="1"> <thead> <tr> <th>Name</th> <th>Wall thickness</th> <th>Pilot hole dia.</th> <th>Screw dia. φ</th> </tr> </thead> <tbody> <tr><td>TA</td><td>3 - 5</td><td rowspan="3">8</td><td rowspan="3">3.5 - 6</td></tr> <tr><td>TB or TH</td><td>9 - 12</td></tr> <tr><td>TC</td><td>16 - 18</td></tr> </tbody> </table>	Name	Wall thickness	Pilot hole dia.	Screw dia. φ	TA	3 - 5	8	3.5 - 6	TB or TH	9 - 12	TC	16 - 18																							
Name	Wall thickness	Pilot hole dia.	Screw dia. φ																																	
TA	3 - 5	8	3.5 - 6																																	
TB or TH	9 - 12																																			
TC	16 - 18																																			
Concrete wall	<p>U-plugs Suitable for all concrete types</p> <p>■ Mounting method</p> <p>① Open a pilot hole in the wall using an appropriate drill.</p> <p>② Set the screws and insert the U-plug.</p> <p>③ Tighten with a screwdriver, leaving a distance between the head of the screw and the wall of between 4 to 8 mm (0.16 to 0.31 inches).</p> <p>④ Hook the mounting brackets on the screws.</p> <table border="1"> <thead> <tr> <th>Name</th> <th>Total plug length</th> <th>Pilot hole dia.</th> <th>Screw dia. φ</th> </tr> </thead> <tbody> <tr><td>U-5</td><td>25</td><td>5</td><td>2.6 - 4</td></tr> <tr><td>U-6</td><td>30</td><td>6</td><td>3.5 - 5</td></tr> <tr><td>U-8</td><td>40</td><td>8</td><td>4.5 - 6</td></tr> <tr><td>U-10</td><td>50</td><td>10</td><td>6 - 8</td></tr> <tr><td>U-12</td><td>60</td><td>12</td><td>8 - 10</td></tr> </tbody> </table>	Name	Total plug length	Pilot hole dia.	Screw dia. φ	U-5	25	5	2.6 - 4	U-6	30	6	3.5 - 5	U-8	40	8	4.5 - 6	U-10	50	10	6 - 8	U-12	60	12	8 - 10											
Name	Total plug length	Pilot hole dia.	Screw dia. φ																																	
U-5	25	5	2.6 - 4																																	
U-6	30	6	3.5 - 5																																	
U-8	40	8	4.5 - 6																																	
U-10	50	10	6 - 8																																	
U-12	60	12	8 - 10																																	
Steel walls (Partitions, etc.)	<p>Cross-head tapping screws (pan head)</p> <p>① Check that the wall is reinforced behind the partition joint.</p> <p>② Make a hole with a drill of the suitable diameter.</p> <p>③ Screw in the tapping screw, leaving a distance between the head of the screw and the wall of between 4 to 8 mm (0.16 to 0.31 inches).</p> <p>④ Hook the mounting brackets on the screws.</p> <table border="1"> <thead> <tr> <th>AxB dimensions</th> <th>Pilot hole dia.</th> <th>AxB dimensions</th> <th>Pilot hole dia.</th> </tr> </thead> <tbody> <tr><td>3x13</td><td rowspan="3">2.0</td><td>4x20</td><td rowspan="6">3.2</td></tr> <tr><td>3x16</td><td>4x25</td></tr> <tr><td>3x20</td><td>4x30</td></tr> <tr><td>3x25</td><td>4x35</td><td rowspan="3">4.2</td></tr> <tr><td>3.5x13</td><td>4x40</td></tr> <tr><td>3.5x16</td><td>4x50</td></tr> <tr><td>3.5x20</td><td rowspan="3">3.0</td><td>5x20</td><td rowspan="6">4.2</td></tr> <tr><td>3.5x25</td><td>5x25</td></tr> <tr><td>3.5x30</td><td>5x30</td></tr> <tr><td>4x13</td><td rowspan="3">3.2</td><td>5x40</td><td rowspan="6">4.2</td></tr> <tr><td>4x16</td><td>5x50</td></tr> <tr><td></td><td></td></tr> </tbody> </table>	AxB dimensions	Pilot hole dia.	AxB dimensions	Pilot hole dia.	3x13	2.0	4x20	3.2	3x16	4x25	3x20	4x30	3x25	4x35	4.2	3.5x13	4x40	3.5x16	4x50	3.5x20	3.0	5x20	4.2	3.5x25	5x25	3.5x30	5x30	4x13	3.2	5x40	4.2	4x16	5x50		
AxB dimensions	Pilot hole dia.	AxB dimensions	Pilot hole dia.																																	
3x13	2.0	4x20	3.2																																	
3x16		4x25																																		
3x20		4x30																																		
3x25	4x35	4.2																																		
3.5x13	4x40																																			
3.5x16	4x50																																			
3.5x20	3.0	5x20	4.2																																	
3.5x25		5x25																																		
3.5x30		5x30																																		
4x13	3.2	5x40		4.2																																
4x16		5x50																																		