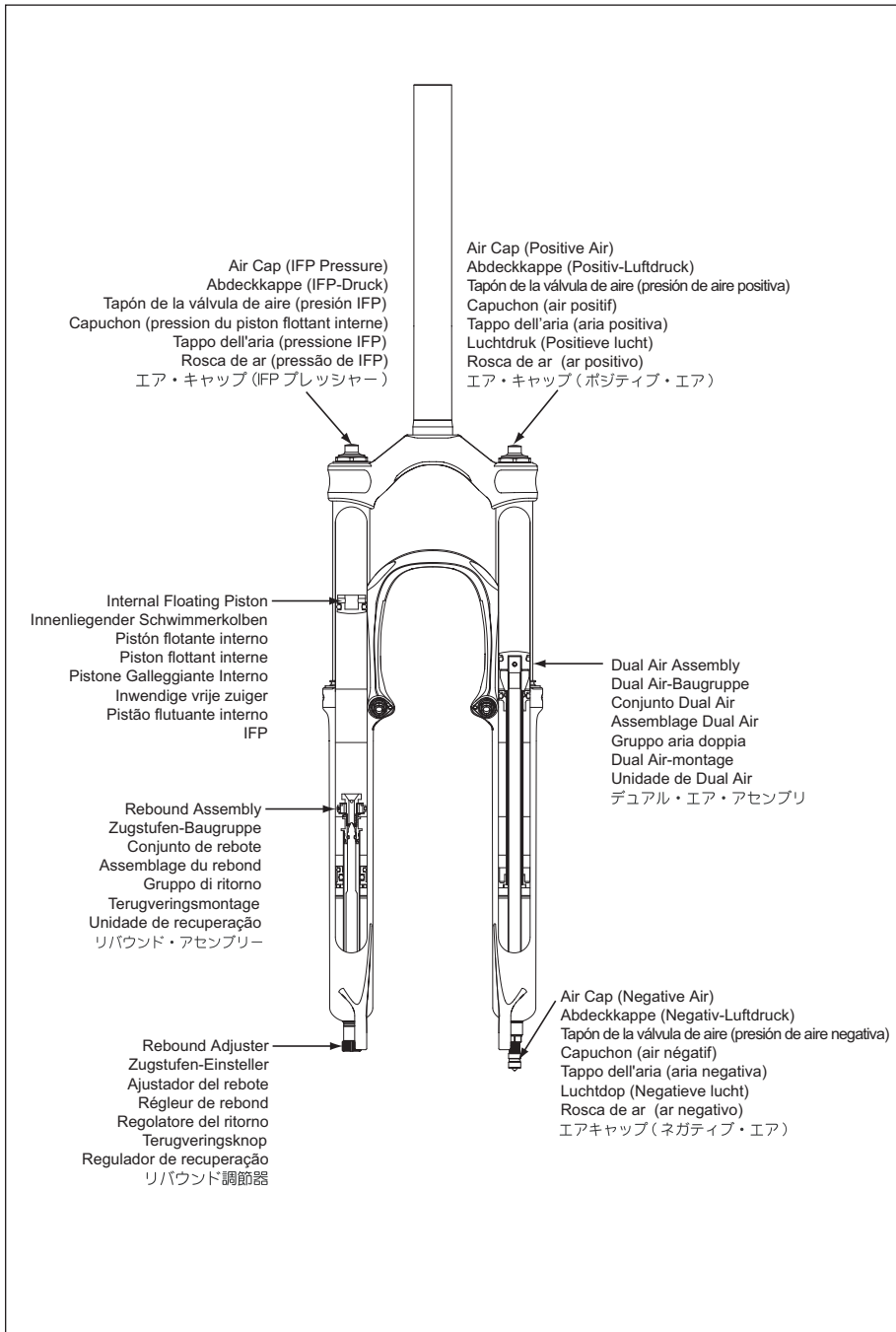




USER MANUAL

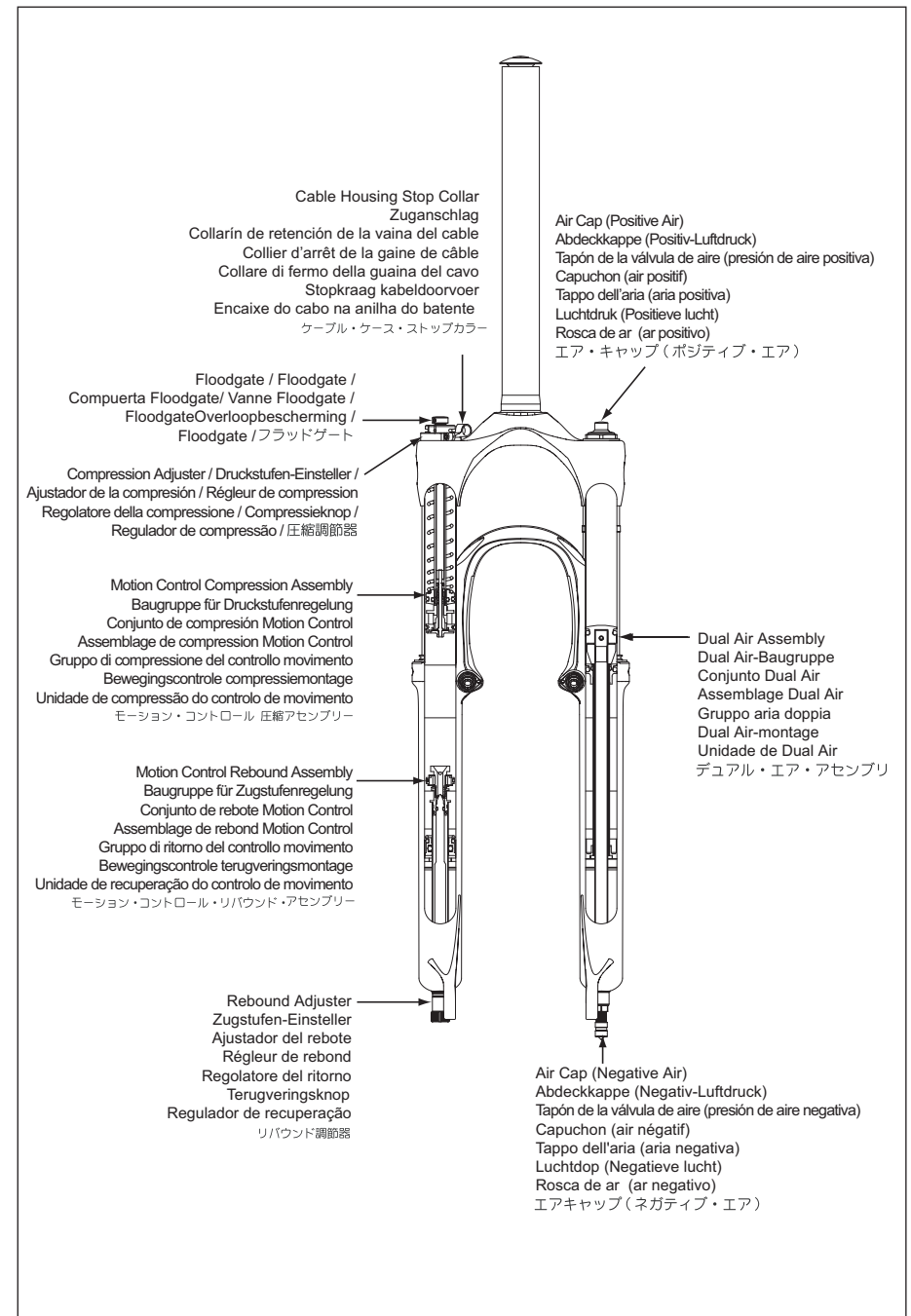
 **POWERED BY SRAM™**

SID RACE



NOTE: YOUR FORK'S APPEARANCE MAY VARY FROM THE ILLUSTRATIONS/PHOTOS IN THIS MANUAL.
 FOR THE LATEST INFORMATION ABOUT YOUR FORK VISIT OUR WEBSITE AT WWW.ROCKSHOX.COM.

SID TEAM AND WORLD CUP



NOTE: YOUR FORK'S APPEARANCE MAY VARY FROM THE ILLUSTRATIONS/PHOTOS IN THIS MANUAL.
 FOR THE LATEST INFORMATION ABOUT YOUR FORK VISIT OUR WEBSITE AT WWW.ROCKSHOX.COM.

Congratulations! You have the best in suspension components on your bicycle! This manual contains important information about the safe operation and maintenance of your fork. To ensure that your RockShox fork performs properly, we recommend that you have your fork installed by a qualified bicycle mechanic. We also urge you to follow our recommendations to help make your riding experience more enjoyable and trouble-free.

I M P O R T A N T Consumer Safety Information

1. The fork on your bicycle is designed for use by a single rider, on mountain trails, and similar off-road conditions.
2. Before riding the bicycle, be sure the brakes are properly installed and adjusted. Use your brakes carefully and learn your brakes' characteristics by practicing your braking technique in non-emergency circumstances. Hard braking or improper use of the front brake can cause you to fall. If the brakes are out of adjustment, improperly installed or are not used properly, the rider could suffer serious and/or fatal injuries.
3. Your fork may fail in certain circumstances, including, but not limited to, any condition that causes a loss of oil; collision or other activity bending or breaking the fork's components or parts; and extended periods of non-use. Fork failure may not be visible. Do not ride the bicycle if you notice bent or broken fork parts, loss of oil, sounds of excessive topping out, or other indications of a possible fork failure, such as loss of shock absorbing properties. Instead, take your bike to a qualified dealer for inspection and repair. In the event of a fork failure, damage to the bicycle or personal injury may result.
4. Always use genuine RockShox parts. Use of aftermarket replacement parts voids the warranty and could cause structural failure to the shock. Structural failure could result in loss of control of the bicycle with possible serious and/or fatal injuries.
5. Use extreme caution not to tilt the bicycle to either side when mounting the bicycle to a carrier by the fork drop-outs (front wheel removed). The fork legs may suffer structural damage if the bicycle is tilted while the drop-outs are in the carrier. Make sure the fork is securely fastened down with a quick release. Make sure the rear wheel is fastened down when using ANY bike carrier that secures the fork's drop-outs. Not securing the rear can allow the bike's mass to side-load the drop-outs, causing them to break or crack. If the bicycle tilts or falls out of its carrier, do not ride the bicycle until the fork is properly examined for possible damage. Return the fork to your dealer for inspection or call RockShox if there is any question of possible damage (See the International Distributor List). A fork leg or drop-out failure could result in loss of control of the bicycle with possible serious and/or fatal injuries.
6. **Forks designed for use with 'v'-style brakes:** only mount cantilever-type brakes to the existing brake posts. Forks with hangerless style braces are only designed for 'V'- style or hydraulic cantilever brakes. Do not use any cantilever brake other than those intended by the brake manufacturer to work with a hangerless brace. Do not route the front brake cable and/or cable housing through the stem or any other mounts or cable stops. Do not use a front brake cable leverage device mounted to the brace. **Forks designed for use with disc-style brakes:** follow the brake manufacturer's installation instruction for proper installation and mounting of the brake caliper.
7. Observe all owner's manual instructions for care and service of this product.

ROCKSHOX FORKS ARE DESIGNED FOR COMPETITIVE OFF-ROAD RIDING AND DO NOT COME WITH THE PROPER REFLECTORS FOR ON-ROAD USE. YOUR DEALER SHOULD INSTALL PROPER REFLECTORS TO MEET THE CONSUMER PRODUCT SAFETY COMMISSION'S (CPSC) REQUIREMENTS FOR BICYCLE STANDARDS IF THE FORK IS GOING TO BE USED ON PUBLIC ROADS AT ANY TIME.

I N S T A L L A T I O N

It is extremely important that your RockShox fork is installed correctly by a qualified bicycle mechanic. Improperly installed forks are extremely **dangerous** and can result in **severe and/or fatal injuries**.

1. Remove the existing fork from the bicycle and the crown race from the fork. Measure the length of the fork steerer tube against the length of the RockShox steerer tube. The RockShox steerer tube may need cutting to the proper length. Make sure there is sufficient length to clamp the stem (refer to the stem manufacturer's instructions).

W A R N I N G

DO NOT ADD THREADS TO ROCKSHOX THREADLESS STEERERS. THE STEERER TUBE CROWN ASSEMBLY IS A ONE-TIME PRESS FIT. REPLACEMENT OF THE ASSEMBLY MUST BE DONE TO CHANGE THE LENGTH, DIAMETER OR HEADSET TYPE (THREADED OR THREADLESS).

DO NOT REMOVE OR REPLACE THE STEERER TUBE. THIS COULD RESULT IN THE LOSS OF CONTROL OF THE BICYCLE WITH POSSIBLE SERIOUS AND/OR FATAL INJURIES.

2. Install the headset crown race (29.9mm for 1 1/8" steerers) firmly against the top of the fork crown. Install the fork assembly on the bike. Adjust the headset until you feel no play or drag.
3. Install the brakes according to the manufacturer's instructions and adjust brake pads properly. Use the fork only with disc style brakes mounted through the provided mounting holes.
4. **Forks designed for standard quick releases:** adjust the front wheel quick release to clear the dropout's counter bore. The quick release nut must be tightened after the wheel is properly seated into the dropout's counter bore. Make sure four or more threads are engaged in the quick release nut when it is closed. Orient the quick release lever in front of and parallel to the lower tube in the locked position. **Forks designed for a thru-axle (not available for all forks):** follow the installation instructions that follow for the Maxle Quick Release system
5. Keep in mind tire clearance as you choose tires. **Maximum size is 2.4" wide or 696 mm diameter installed.** Be sure to check this diameter whenever you change tires. To do this, remove air pressure and compress the fork completely to make sure at least 5 mm of clearance exists between the top of the tire and the bottom of the crown. Exceeding maximum tire size will cause the tire to jam against the crown when the fork is fully compressed.

THIS FORK IS NOT DESIGNED FOR EXTREME APPLICATIONS, SUCH AS DOWNHILL STYLE RIDING OR JUMPING. WE RECOMMEND USING ONE OF OUR OTHER FORKS SUCH AS BOXXER FOR THIS TYPE OF RIDING.

CARBON CROWN-STEERER INSTALLATION (WORLD CUP ONLY)

The SID World Cup is designed for cross-country riding and racing. The one piece carbon crown-steerer accounts for the unique loads and stresses of mountain bike riding, while providing vibration damping and ride control unmatched by traditional material technologies.

It is extremely important that your fork is installed correctly by a qualified bicycle mechanic. **Improperly installed forks are extremely dangerous and can result in severe and/or fatal injuries.** For installation, follow the instructions below as well as the instructions in your owner's manual.

1. The steerer tube must be cut flush with the top of the stem. Apply masking tape to the top of the steerer tube to help prevent carbon fraying during cutting. Use a minimum 28-tooth blade to cut the carbon steerer. For safe handling, smooth the cut surface area with 400 grit sand paper.
2. Install a 2mm spacer above the stem to allow for proper headset adjustment. Do not exceed the 30mm maximum stack height when installing spacers (Fig. 1).
3. Do not use star nuts. Use only expansion style plugs such as the one supplied with the fork. Do not exceed 100 in-lb of torque to the expansion plug bolt. Torque values may vary depending on headset design and condition.

4. To prevent damage to the carbon crown-steerer, a qualified technician should take care when installing or removing the crown race.
5. Remove any burrs from the stem clamp edges before installation on the carbon crown-steerer. Do not use a hammer to install your stem.
6. Follow the stem manufacturer's torque specifications when installing a stem. Exceeding the torque specifications may damage the carbon crown-steerer and reduce the strength of the fork. Cotter style stems are not recommended as the small surface area may cause damage, especially when overtorqued.
7. Do not let brake or derailleur cables rest on, or be attached to the crown. Abrasion over time may cause damage to the crown. If contact is unavoidable, use tape or similar protection to cover the surface.

IMPORTANT: CROWN ABRASION IS NOT COVERED UNDER WARRANTY.

8. Take your bicycle to a qualified dealer for inspection and repair if there is any question of component integrity due to a crash or other direct impact.

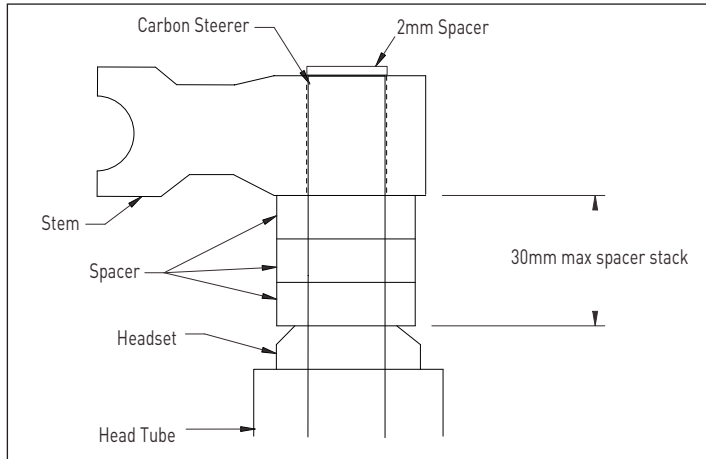


Fig. 1

PERFORMANCE TUNING

RockShox SID forks can be tuned for your particular weight, riding style, and terrain.

Setting Sag

SID forks are designed to sag when you are sitting on your bike. Sag is the compression of the fork caused by the rider's weight. Proper sag allows the front wheel to follow the contour of the terrain as you ride. Sag is adjusted by increasing or decreasing the positive air pressure of your fork. Increasing the pressure in your positive chambers will decrease sag. Decreasing the pressure in your positive air chambers will increase sag.

To measure sag, use the travel indicator on the upper tube of the fork and ensure it is flush against the wiper seal. Sit on the bike with normal riding apparel. Step off the bike, and measure the distance between the wiper seal and the travel indicator. This is your sag. The sag should be approximately 20 percent of maximum travel.

Air Pressure Guidelines

The positive air chamber is the fork's spring. Always tune positive air pressure first, based on the desired sag. More positive air gives a firmer ride, while less positive air gives a softer/plusher ride. Use the tables below to assist with positive and negative air pressure.

ADDING POSITIVE AIR PRESSURE (LEFT TOP CAP, ALL FORKS)

Remove the air cap to expose the air valve (on the left fork leg). Using a RockShox Air Pump (with schrader valve), add the recommended air pressure (see "Air Pressure Guidelines").

NOTE: RECOMMENDED MAXIMUM AIR PRESSURE IS 180 PSI.

Adjusting your forks negative air pressure will change its ride characteristic. More negative air pressure will make the fork more active over small bumps. Less negative air pressure will reduce bobbing. Set the negative air between 50 and 90 percent of the positive air pressure depending on terrain and riding style. Always tune positive air pressure first, then adjust negative air pressure.

Rider Weight	Postive Pressure	Negative Pressure	
		XC (Plush Ride)	Racing (Stiff Ride)
>120lb (55 kg)	70-80 psi	70-80 psi	40-60 psi
120-140lb (55-65 kg)	80-100 psi	80-100 psi	60-80 psi
140-160lb (65-73 kg)	100-120 psi	100-120 psi	80-100 psi
160-180lb (73-82 kg)	120-140 psi	120-140 psi	100-120 psi
>180lb (82 kg)	140-160 psi	140-160 psi	120-140 psi

ADDING NEGATIVE AIR PRESSURE

Remove the schrader air cap from the bottom of the left shaft air valve. Using a RockShox air pump, add the recommended air pressure through the bottom of the left shaft air valve. A small amount of lubricant can escape while adjusting the negative air, use care to avoid contamination of the disc brake rotors.

NOTE: RECOMMENDED MAXIMUM AIR PRESSURE IS 180 PSI. MORE NEGATIVE AIR THAN POSITIVE AIR WILL CAUSE THE FORK TO LOSE TRAVEL

External Rebound Adjustment

Rebound damping controls the speed at which a fork returns to its full extension following compression. Located at the bottom of the right fork leg is the rebound adjuster knob. Turning the adjuster in the direction indicated by the "rabbit" on the rebound speed decal decreases rebound damping, causing the fork to return to full extension faster. Turning the adjuster in the direction indicated by the "turtle" increases rebound damping, slowing the return of the fork to full extension.

Excessive rebound damping will cause the fork to "pack up" over successive bumps, reducing travel and causing the fork to bottom out. Set your fork to rebound as fast as possible without "topping out" or kicking back. This allows your fork to follow the contours of the trail, maximizing stability, traction and control.

Changing Travel

To measure the amount of travel your fork has, measure the amount of exposed upper tube. To change the travel of your fork for 80 to 63 mm you must perform a full service on your fork. To obtain service information or instructions, visit our website at www.rockshox.com or contact your local RockShox dealer or distributor.

MOTION CONTROL (WORLD CUP AND TEAM)

Your fork uses the Motion Control Damping System. This system provides maximum ride control, allowing the rider to smooth out the bumps, with on-the-fly adjustable compression damping (including lockout for climbing).

Installation of PopLoc Remote on the SID Motion Control Damper

Before starting, clean and inspect the fork. You should perform any needed service (i.e., bleeding or rebuilding the Motion Control damper) before installing the PopLoc Remote. For full technical documentation visit www.rockshox.com.

INSTALLING THE POPLOC REMOTE LEVER:

1. Remove the grip, shifter and brake lever from the left side of the bar when viewed from the rider's perspective. Install PopLoc remote inboard of shifter and brake lever. Tighten lever clamp bolt to 20 in-lb. (Fig. 1)
2. Reinstall the brake, shifter and grip according to the manufacturer's instructions.

ATTACHING THE CABLE:

1. Install shifter cable in PopLoc lever and cut a length of cable housing to fit between the remote and cable stop of the remote collar. Be sure to debur the housing ends.

NOTE: BRAKE CABLE HOUSING MUST BE USED FOR CORRECT PERFORMANCE.

2. If using a PopLoc remote with adjustable compression damping set the damper control in the middle position (approximately 2.5 turns from fully closed). For both PopLoc and PopLoc Adjust levers depress the lockout lever toward the handlebar until the lever engages into the lock position.
3. Feed cable through housing and around remote lockout cap. Pull the cable back towards the housing stop collar. Make sure that the cable pinch bolt is contacting the housing stop collar. Tighten cable anchor bolt to 8 in-lb. Verify fork is locked at this setting. (Fig.2)
4. Press release button on PopLoc remote to check action of remote. The cable anchor bolt on the remote top cap should return to approximately 3 or 4 o'clock. (Fig. 3).

PURE DELITE SYSTEM (RACE)

Pure DeLite offers a wide range of rebound damping adjustment. In addition, adjusting the air pressure in this chamber (right fork leg) helps fine-tune the small bump ride (threshold or break-away) of the fork. This chamber should be inflated to a **minimum of 10 psi and a maximum of 60 psi**. Less air pressure will make the fork feel softer and helps absorb smaller bumps, while more air pressure will make the fork feel stiffer.

We recommend adjusting the positive and negative air pressures before you adjust the air pressure in the Pure DeLite chamber (right side, rider's perspective).

NOTE: AIR PRESSURE IN THE PURE DELITE SYSTEM SHOULD NOT BE USED TO TUNE THE SPRING RATE OR BOTTOM OUT FORCE REQUIRED FOR THE FORK.



Fig. 1



Fig. 2



Fig. 3

MAINTENANCE

To maintain the high performance, safety, and long life of your fork, periodic maintenance is required. If you ride in extreme conditions, maintenance should be performed more frequently.

- * WE RECOMMEND THIS SERVICE BE PERFORMED BY A QUALIFIED BICYCLE MECHANIC. TO OBTAIN SERVICE INFORMATION OR INSTRUCTIONS, VISIT OUR WEBSITE AT WWW.ROCKSHOX.COM OR CONTACT YOUR LOCAL ROCKSHOX DEALER OR DISTRIBUTOR.

Torque Tightening Values

Top Caps	65 in-lb
Brake Posts	80 in-lb
Cartridge Sleeve Retainer	60 in-lb
Air Shaft Nut	45 in-lb
Damper Shaft Bolt	60 in-lb
Remote Lockout clamp bolt	8 in-lb
Pure top cap clamp screw	12 in-lb
Climb-It knob screw	12 in-lb

SERVICE INTERVALS	SID Race, SL & World Cup			All 32mm XC & All Mountain Air Forks
	Judy 1/2	Judy 3/4		
Clean dirt and debris from upper tubes	E	E	E	E
Inspect upper tubes for scratches	E	E	E	E
Lubricate dust seals/tubes	10	10	10	10
Check top caps, brake posts and shaft bolts for proper torque	25	25	25	25
Check air pressure	*	*	E	E
Remove lowers, clean/inspect bushings and change oil bath	*	50	50	50
Change oil in Motion Control System	*	*	100	100
Clean and lubricate Air U-Turn/Dual Air/Air Assist assembly/Solo Air	*	*	50	50
Clean and lubricate coil spring or coil U-Turn spring assembly	100	100	*	*
Clean and lubricate PopLoc cable and housing	*	*	50	50

	All 32mm XC & All Mountain Coil Forks	Boxxer Ride. Race & Team	Boxxer World Cup
Clean dirt and debris from upper tubes	E	E	E
Inspect upper tubes for scratches	E	E	E
Lubricate dust seals/tubes	10	E	E
Check top caps, brake posts and shaft bolts for proper torque	25	25	25
Check air pressure	*	*	E
Remove lowers, clean/inspect bushings and change oil bath	50	25	25
Change oil in Motion Control System	100	50	50
Clean and lubricate Air U-Turn/Dual Air/Air Assist assembly/Solo Air	*	50	25
Clean and lubricate coil spring or coil U-Turn spring assembly	100	*	*
Clean and lubricate PopLoc cable and housing	50	*	*

Notes:

E = Every ride

Numeric values represent hours of riding time.

Increase service intervals based on rider weight, aggressive riding style/conditions, inclement weather and racing

SRAM CORPORATION WARRANTY

Extent of Limited Warranty

SRAM warrants its products to be free from defects in materials or workmanship for a period of two years after original purchase. This warranty only applies to the original owner and is not transferable. Claims under this warranty must be made through the retailer where the bicycle or the SRAM component was purchased. Original proof of purchase is required.

Local law

This warranty statement gives the customer specific legal rights. The customer may also have other rights which vary from state to state (USA), from province to province (Canada), and from country to country elsewhere in the world.

To the extent that this warranty statement is inconsistent with the local law, this warranty shall be deemed modified to be consistent with such law, under such local law, certain disclaimers and limitations of this warranty statement may apply to the customer. For example, some states in the United States of America, as well as some governments outside of the United States (including provinces in Canada) may:

- a. Preclude the disclaimers and limitations of this warranty statement from limiting the statutory rights of the consumer (e.g. United Kingdom).
- b. Otherwise restrict the ability of a manufacturer to enforce such disclaimers or limitations.

Limitations of Liability

To the extent allowed by local law, except for the obligations specifically set forth in this warranty statement, In no event Shall SRAM or its third party supplies be liable for direct, indirect, special, incidental, or consequential damages.

Limitations of Warranty

- This warranty does not apply to products that have not been incorrectly installed and/or adjusted according to the respective SRAM technical installation manual. The SRAM installation manuals can be found online at www.sram.com or www.rockshox.com.
- This warranty does not apply to damage to the product caused by a crash, impact, abuse of the product, non-compliance with manufacturers specifications of usage or any other circumstances in which the product has been subjected to forces or loads beyond its design.
- This warranty does not apply when the product has been modified.
- This warranty does not apply when the serial number or production code has been deliberately altered, defaced or removed.
- This warranty does not apply to normal wear and tear. Wear and tear parts are subject to damage as a result of normal use, failure to service according to SRAM recommendations and/or riding or installation in conditions or applications other than recommended.

WEAR AND TEAR PARTS ARE IDENTIFIED AS:

- Dust seals
- Air sealing o-rings
- Rubber moving parts.
- Rear shock mounting hardware and main seals
- Stripped threads/bolts (aluminium, titanium, magnesium or steel)
- Brake pads
- Sprockets
- Shifter and brake cables (inner and outer)
- Shifter grips
- Disc brake rotors
- Bushings
- Glide rings
- Foam rings
- Upper tubes (stanchions)
- Brake sleeves
- Chains
- Cassettes
- Handlebar grips
- Jockey wheels
- Tools

- This warranty shall not cover damages caused by the use of parts of different manufacturers.
- This warranty shall not cover damages caused by the use of parts that are not compatible, suitable and/or authorised by SRAM for use with SRAM components.