

# ***AutoView®***

## **CAR DVR**

### ***USER MANUAL***



## **AVDV-2800**

*DISTRIBUTED IN NEW ZEALAND BY:*

**DIGITAL LOGISTICS GROUP LIMITED**

P.O Box 204 284, Highbrook, Auckland

Phone: 09 571 3375 Fax: 09 571 3376

Email: [sales@digitallogistics.co.nz](mailto:sales@digitallogistics.co.nz)

[www.digitallogistics.co.nz](http://www.digitallogistics.co.nz)

## Product Description

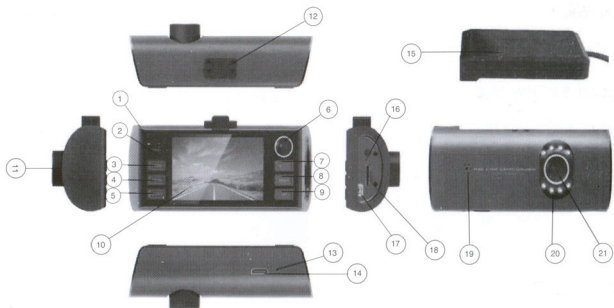
This DVR is a car safety product that features dual lens operation. Thus providing superior HD audio/video recording and high quality photographing capability. This unit also features high speed USB 2.0 interface, charging & filming at the same time, G - sensor and GPS route tracking. This product can be widely used for recording anytime, anywhere.

## Product feature

- Unique dual lens recording at the same time
- GPS route tracking
- G - sensor: when the acceleration of gravity reaches  $6g$  ( $1g = 9.8m/s^2$ ), the video files before and between the accident would be saved and cannot be deleted
- SOS emergency button: when an accident occurs, push the SOS button to save video files from before and between the accident, these files cannot be deleted
- 2.7", 16:9 high resolution display, no distortion, the view angle of the front lens could be  $90^\circ$
- H.264 compression video format
- 30fps high speed video recording, clear view effect
- HD PC camera function, no driver needed
- IR LED night vision
- Seamless cycle recording, overwrites first file when memory is full.
- Starts recording automatically when the car charger is on, supports recording and charging at the same time.
- HDMI high resolution output
- High precision GPS module, records driving route precisely
- 4x zoom

## Specification:

Image Sensor	3MP CMOS WXGA HD
Video resolution	480p/ 720p/ 720p_H
Language	Simplified Chinese/Traditional Chinese/English/ Russian/ Japanese/ Korean/ Italian/ Spanish/ French/ Portuguese/ German
Display	2.7" 16:9 TFT display
Memory	Supports up to 32GB Micro SD card
Focus	2m - limitless
Picture	JPEG
MIC	Built - in microphone
USB	USB 2.0
Battery	3.7V/ 600mAh
Temperature	0 - 65 degrees
Size	(L) 116mm (W) 45mm (H) 27mm
Weight	125g
Accessories	USB cable, car charger, bracket, manual, HDMI cable, GPS module, CD



- |                       |                   |                  |
|-----------------------|-------------------|------------------|
| 1. Charging indicator | 8. Down           | 15. GPS module   |
| 2. MIC                | 9. Up             | 16. GPS slot     |
| 3. Mode               | 10. Display       | 17. USB slot     |
| 4. Menu               | 11. Lens Aperture | 18. TF card slot |
| 5. OK/REC             | 12. Bracket slot  | 19. MIC          |
| 6. Front lens         | 13. Reset         | 20. LED light    |
| 7. ON/OFF/SOS         | 14. HDMI slot     | 21. Back lens    |

### Key function:

POWER/SOS	turn on/ turn off/ SOS emergency
MENU	menu
MODE	shift recording, photograph, playback mode
OK	start/ pause/ confirm
DOWN	down, zoom
UP	up, zoom

## **BASIC OPERATION**

- Fix the GPS module on the bracket, and fix the DVR onto the front wind screen, on a right angle
- Connect the GPS module with the DVR. Attach the car charger to the DVR. The DVR will start recording once the car is turned on and will stop automatically once the car is turned off.

### **Turn on/ off/ SOS**

1. Press the POWER key to turn on/ off the DVR.
2. Press the POWER key fast and SOS function will start automatically.

### **Date and time set:**

- Press UP and DOWN key to adjust date and time, press MODE key to navigate forward, MENU key to navigate backward, OK to confirm.

### **Recording mode:**

1. Turn on the DVR and it will start recording automatically, the red dot on the upper left side will blink.
2. Press REC to start/ stop recording
3. Press UP and DOWN key to adjust the zoom up and down.
4. When an accident happens, press SOS key to lock the video file.

### **Photograph mode:**

1. Press MENU to choose the photograph mode: one frame, 2 sec/ 5 sec/ 10 sec timing, continuous frame.
2. Press MENU to choose the picture resolution

### **Playback mode:**

- Press UP and DOWN to choose the file and press OK to play the video.
- Connect the DVR to a computer with the USB cable

- Press OK to confirm the DVR as a storage space
- Press MODE to shift modes: record/ photograph/ playback



Menu	
Video resolution	Dual lens: 720p/400p    single lens : 1080i/ 720p/ 480p
Picture resolution	5M/ 3M/ 1.3M
Time set	off // 2min/ 5min/ 10min
Recording/photograph mode	Dual lens/ left lens/ right lens
White balance	Auto/ Sunlight/ Fluorescent/ Cloudy/ Tungsten
G - sensor	high/ medium/ low/ off
GPS	on/ off
Key sound	on/ off
Time watermark	on/ off
Audio	on/ off
LED light	Day/ Night
Auto turn off	off/ 2min/ 5min/ 10min

Language	Simplified Chinese/Traditional Chinese/English/ Russian/ Japanese/ Korean/ Italian/ Spanish/ French/ Portuguese/ German
Light frequency	50Hz/ 60Hz
Screen protect	off/ 1min/ 2min/ 3min
Format	ok/ cancel
Default setting	ok/cancel

## Attaching GPS unit to mount



1. Loosen pivot on side of mount by turning anti - clockwise.
2. Push bolt through so that there is sufficient overhang.
3. Slot GPS unit over bolt and re-tighten pivot.



