

# Tricity

## Fridge Freezer Operating Instructions



**IMPORTANT**  
PLEASE READ THE  
INSTRUCTION BOOK  
BEFORE USING THIS  
APPLIANCE



## **IMPORTANT USER INFORMATION**

It is most important that this instruction book should be retained with the appliance for future reference. Should the appliance be sold or transferred to another owner, or should you move house and leave the appliance, always ensure that the book is supplied with the appliance in order that the new owner can be acquainted with the functioning of the appliance and the relevant warnings.

Please ensure that you have read the whole instruction book before using the appliance.

These warnings are provided in the interest of safety. You must read them carefully before installing or using the appliance.

- This product is designed for domestic use only and should be operated by adults. Children should not be allowed to tamper with the controls or play with the product.
- Any electrical work required to install this appliance should be carried out by a qualified electrician or competent person.
- This product should be serviced by an authorised Service Engineer, and only genuine Tricity spare parts should be used.
- Under no circumstances should you attempt to repair the appliance yourself. Repairs carried out by inexperienced persons may cause injury or more serious malfunctioning.
- It is dangerous to alter the specifications or modify this product in any way.
- Care must be taken to ensure that the appliance does not stand on the electrical supply cable.
- Tricity domestic fridge/freezers are designed to be used specifically for the storage of edible foodstuffs only.
- Many parts at the back of this appliance heat up and should not be exposed. Always position the back of the appliance close to, but not touching, a wall ensuring that there is adequate ventilation. Failure to do this will result in component failure and possible food loss. See installation instructions.
- Before defrosting, cleaning or maintenance work is carried out, be sure to switch off the appliance and unplug it.
- The cooling plate and aluminium lining or refrigerated freezer shelves in this appliance contain channels through which the refrigerant passes. If these are punctured this would cause substantial damage to the appliance and result in food loss. **DO NOT USE SHARP INSTRUMENTS** to scrape off frost or ice. Under no circumstances should solid ice be forced off the lining or shelves. Solid ice should be allowed to thaw when defrosting the appliance. See defrost instructions.
- The appliance should be left for 2 hours after installation before it is turned on to allow the refrigerant to settle.
- This appliance is heavy. Care should be taken when moving it.
- Frozen food must not be refrozen once it has thawed out.
- Food manufacturers' storage recommendations should be strictly adhered to. Refer to relevant instructions.
- Do not place carbonated or fizzy drinks in the freezer as it creates pressure on the container which may cause it to explode resulting in damage to the appliance.
- Ice lollies can cause frost burns if consumed straight from the freezer.

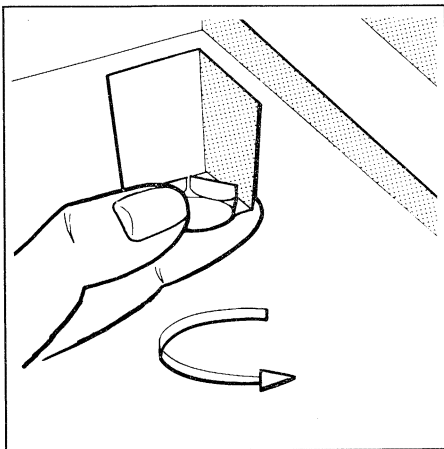
## Installation

This appliance is designed to operate in ambient temperatures between 10°C (50°F) and 32°C (90°F) and should be located in a dry atmosphere, out of direct sunlight and away from extreme temperature, e.g. not next to a cooker or other sources of direct heat, or in a very cold room e.g. an outhouse, where the temperature may fall below 10°C (50°F).

Leave a clearance of at least 50mm (2ins) above the cabinet and do not obstruct the space underneath. The back may be placed close to the wall but should not touch it. Do not install in a small pantry or places with restricted ventilation.

Your fridge/freezer will be heavy when loaded with food and must therefore be stood on a strong firm floor. It should also be level. Adjust the level by screwing out the appropriate level adjusters in the feet using your fingers or a spanner.

**Make sure the appliance is upright and all adjusters are in firm contact with the floor so that the cabinet does not rock in any direction.**



## Connecting to the Mains

Before switching on make sure that the voltage of your electricity supply is the same as that indicated on the rating plate.

**WARNING: THIS APPLIANCE MUST BE EARTHED**

If this appliance is fitted with a non-rewireable plug for which your socket is unsuitable the plug should be cut off and an appropriate plug fitted. The removed plug should be disposed of as insertion of the plug into a 13 A socket is likely to cause an electrical hazard. If it is necessary to change the fuse in a non-rewireable plug the fuse cover must be replaced. If the fuse cover is lost or damaged the plug must not be used until a replacement is obtained. Replacement fuse covers are available from your nearest customer service centre. It is important that the colour of the replacement fuse cover corresponds with the coloured insert or as embossed in words on the base of the plug.

**IMPORTANT:** The wires in the mains lead are coloured in accordance with the following code:

GREEN-AND-YELLOW	EARTH
BLUE	NEUTRAL
BROWN	LIVE

As the colours of the wires in the mains lead of this appliance may not correspond with the coloured markings identifying the terminals in your plug, proceed as follows:

The wire which is coloured green and yellow must be connected to the terminal which is marked with the letter 'E' or by the 'Earth' symbol  $\perp$  or coloured green or coloured green and yellow.

The wire which is coloured blue must be connected to the terminal which is marked with the letter 'N' or coloured black. The wire which is coloured brown must be connected to the terminal which is marked with the letter 'L' or coloured red.

The appliance must be protected by a 13 A ASTA approved (BS 1362) fuse if a 13 A (BS 1363) plug or a non-rewireable plug is used or if any other type of plug is used by a 15 A fuse either in the plug or adaptor or at the distribution board.

## Note

If it becomes necessary to replace the supply cord the cable clamp should be tightened so as to retain the new cord. The cable clamp is reversible to accommodate variations in diameter of cord.

We recommend that the installation be checked by a qualified electrician who can ensure that the appliance is operating satisfactorily and that it has not been damaged in transit.

## Before Use

Ensure any protective film or packaging has been removed from the appliance before switching on.

Wash the interior of the appliance using a solution of 5ml (1 teaspoonful) of bicarbonate of soda to each 500ml (1 pint) of warm water and dry very thoroughly with a clean dry cloth.

Detergents or soap should not be used as they leave a trace of odour. Abrasive cleaning powders must not be used on any part as they may affect the finish.

## SETTING THE CONTROL

To start the cooling system, plug into the wall socket, switch on and turn the thermostat knob to

Model	Thermostat Setting
D8408 D840C	4
D7908 D790C	3

The fridge and freezer compartment temperature will be affected by location, room temperature and frequency of door opening, and adjustment of the thermostat setting may be needed to allow for this.

During normal operation, the outside front edges of the freezer may feel warm to the touch. This is quite normal.

*We advise you to run your appliance for a day before storing frozen food.*

## Temperature Control

With the thermostat knob set as stated above, the temperature in the refrigerator will be suitable for the storage of most fresh foods, salad vegetables, milk, certain wines and other drinks, while the freezer temperature will be suitable for the long term storage of frozen foods under most conditions of use.

If a lower temperature is needed (e.g. during hot weather), turn the thermostat knob to a higher number or, for less cooling, to a lower number.

The required temperature inside the fridge compartment is from 0°C to 7°C (32°F to 45°F) and inside the freezer compartment is -18°C (0°F) or below.

During prolonged periods of abnormally hot weather, if the thermostat is set on too high a number, the cooling system may operate continuously and the fridge compartment cooling plate may not defrost. Turning the knob to a lower number will cause automatic defrosting to resume.

## **USING THE FRIDGE COMPARTMENT**

The fridge compartment provides suitable shelf space to store most kinds of fresh food.

Storage times will vary according to the type of food and how fresh it is when put into the fridge compartment but no food should be stored for longer than the times stated on page 5.

The shelves are designed to allow maximum air circulation, therefore when placing food on shelves, make sure a small space is left between the packages.

Alternative positions are provided for some of the cabinet shelves so you can arrange the interior to suit your own requirements.

### **Hinged Shelf (where fitted)**

A specially designed shelf with a hinged flap on one side to accommodate tall items in the fridge compartment.

### **Egg Rack/Can Dispenser (where fitted)**

A plastic moulding fitted into a special shelf which can be reversed to perform either the function of an egg rack or can dispenser. Alternatively the fitting can be removed from the shelf altogether to provide additional storage for bottles etc.

### **Drink Cooler (where fitted)**

The drink cooler has a capacity of approximately 3 litres.

Fill the container with your favourite fruit drink, diluted squash etc., and position it towards the front of a cabinet shelf with its spout protruding through the bars.

To dispense a drink, simply hold a glass under the spout and push in the button.

**IMPORTANT:** Clean your drink cooler regularly to prevent a build-up of sugary deposits. If deposits do form, soak in warm water until they dissolve then pour fresh water into the container and operate the dispenser button a few times to ensure it is free.

## FRESH FOOD STORAGE

The following foods may be stored in the cabinet unless special provision is made e.g. dairy shelf, etc.

Fats	2-3 weeks	Sausages	Up to 3 days
Cheese	2 weeks	Cooked pies	1 day
Eggs	3 weeks	Cook vegetables	3-4 days
Cooked meat	2-3 days	Cooked fruit	Up to 5 days
Bacon	7-10 days	Milk and cream	2-3 days

The coolest zone in the refrigerator is just above the shelf of the salad drawer and the following foods are best stored there.

Uncooked meat	2-3 days	
Offal	1-2 days	
Minced meat	1-2 days	
Poultry	2-3 days	Remove stuffing from cooled poultry before storing.
Game	2-3 days	Game should be hung before storing.
Fish	1-2 days	

Temperature is a little higher in the salad drawer, and is particularly suitable for storage of the following:

Green vegetables	Up to 5 days	
Salad vegetables	Up to 5 days	
Fresh fruit	Up to 7 days	Do not keep bananas in the refrigerator.

Perishable foods should be kept wrapped. Cover or wrap food to prevent strong flavours being passed from one item to the next. This covering also protects foods from the drying effect which occurs in the refrigerator as cold air circulates. Wines, mineral waters, fruit juice and beer can be chilled in the refrigerator cabinet.

## Door Storage


Searching the in the main compartment can be reduced to a minimum by selectively storing items in the door liner where they come instantly to view on door opening.

The lower door shelf is fitted with a bottle grip for the safe storage of large or heavy bottles whilst the remaining shelves

accommodate fat, butter, small cartons and jars etc.

On certain models the door shelving is adjustable to accommodate varying heights of bottles and other containers. To remove simply lift and tilt the tray.

## USING THE FREEZER COMPARTMENT

The  symbol means that your freezer will store food at  $-18^{\circ}\text{C}$  ( $0^{\circ}\text{F}$ ) for long term storage and will also freeze fresh food.

### Storing frozen food

Your freezer compartment has the following capacities:

Model	Nett Storage Volume		Weight of Stored Food	
	litres	cu ft	kg	lb
D8408 D840C	71	2.5	22.7	50
D7908 D790C	101	3.6	32.3	71

*(This is a standard measurement and the actual capacity depends upon the density, shape and size of the food. The above figures are based on an average density of 0.32 kg per litre).*

Pre-packed commercially frozen food should be stored in accordance with the manufacturer's instructions for 3 star frozen food compartments and should be put into the freezer as soon as possible after purchase. Your freezer provides for long term storage which generally means up to 3 months but the length of storage time can vary and it is important to follow the recommended times shown on packets of commercially frozen food.

For your convenience maximum storage periods for popular home frozen items are given in months on the inside of the freezer door.

If your appliance breaks down or the power fails, don't open the freezer door and the frozen food won't be affected for up to 24 hours.

Any frozen food which is allowed to thaw accidentally should either be eaten as soon as possible or thrown away. Alternatively, if the food is uncooked and it has not been completely defrosted it can be cooked then refrozen. (Note that some items must be thawed completely before cooking).

Frozen cooked food which has been defrosted must never be re-frozen.

## Freezing fresh food

'The Tricity Home Freezing Booklet' gives full details of preparation of fresh food for freezing.

### General Information

In any 24 hours you can freeze up to the maximum quantity of fresh food shown in the table below. Do not exceed the stated weight for the model concerned otherwise the freezing time will be prolonged and the refrigerator temperature may become too cold.

Model	Max. weight of fresh food frozen in 24 hours	
	kg	lb
D8408 D840C	8.5	18.7
D7908 D790C	12	26.4

When the food is ready for freezing place the packages in the freezer as given below, and leave for 24 hours. **During the freezing process, leave the thermostat at the setting recommended on page 3.**

Existing frozen foods should be re-arranged to leave space on the top shelf for freezing. The packets to be frozen should be placed on the top shelf in contact with the refrigerated surface as far as possible and spaced apart to allow cold air to circulate between them. They should not touch existing packets.

If there is room, transfer the food you have frozen to another part of the freezer to allow you to freeze a further load on the top shelf.



## **IMPORTANT POINTS TO REMEMBER**

### **DO ...**

adjust the level of your appliance before loading it with food - see page 2

cover or wrap liquids and foods, particularly those with strong odours

put vegetables and salads in the salad drawer, in plastic bags

cover melons and pineapples and only store for short periods

rotate stocks of frozen foods, date markings will help with this

keep the refrigerator drain outlet clear, if blocked, carefully clean it with a piece of flexible curtain wire

defrost, clean and leave the doors ajar when the appliance is not in use

### **DON'T ...**

obstruct air circulation in the fridge by tightly packing stored items

put hot foods in the fridge or freezer

let food or containers touch the refrigerator cooling plate

store bananas in the fridge or freezer

put bottles or cans of fizzy drinks in the freezer

give children iced lollies straight from the freezer they could cause frost burns

use a sharp instrument to hasten defrosting

leave the drink cooler with residues in it which might harden or go stale. Always rinse out and dry the container as soon as it becomes empty

## **LOOKING AFTER YOUR FRIDGE/FREEZER**

### **How to defrost**

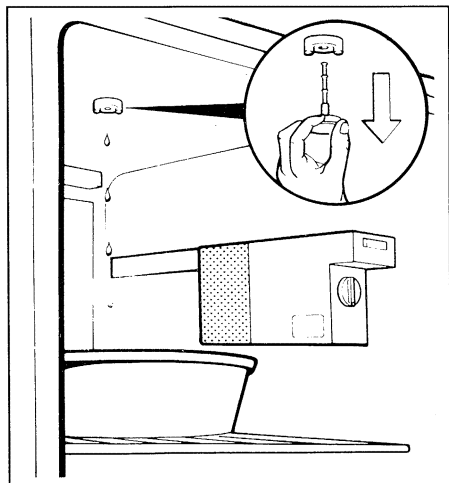
The *Fridge Compartment* is defrosted *automatically*. Defrost water from the cooling plate runs out of the drain and onto a tray on the motor compressor where it is evaporated. This process is completely automatic. Droplets of water on the cooling plate during defrosting are quite normal and will freeze on the plate afterwards.

In the *Freezer Compartment* frost accumulates on the cooling surfaces during normal working and should occasionally be removed using a stiff bristle brush or a plastic scraper.

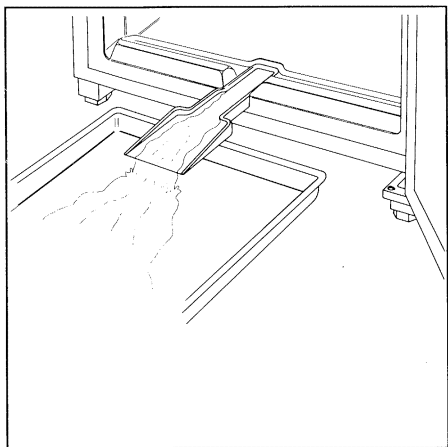
Heavy frosting (about 6mm (¼") thick) reduces the freezer's efficiency and therefore complete defrosting should then be carried out, probably at 6 month intervals depending on usage. Preferably you should do this when there is little or no food in the freezer in the following manner.

1. Any remaining frozen food should be placed in another freezer, or placed in cardboard boxes and wrapped in blankets, layers of paper, or other suitable insulating material. Put in a cool place.
2. Switch off at the wall socket and remove the plug.
3. Defrosting will vary depending on whether the freezer compartment is at the top or bottom of the appliance.
4. With the freezer at the top. A defrost drain is situated in the bottom centre of the freezer compartment, sealed from below (in the top of the refrigerator) by a plastic plug. Remove this plug by pulling it

downwards (see illustration) and put a container under the opening to catch the defrost water. Keep the plug safely for re-use when defrosting is finished.



5. With freezer at the bottom. Place the handle of the plastic scraper supplied, in the recess at the bottom of the freezer compartment to act as a drainage spout. Put a suitable container under the spout to collect the defrost water, and leave the door open.



Defrosting can be speeded up by putting bowls of hot (not boiling) water in the freezer and loosening the frost with a stiff bristle brush.

After defrosting, clean and dry the interior as explained under "Cleaning", and remove the plastic scraper or replace the defrost water drain plug, switch on, replace any frozen food, and close the door.

REMEMBER, if the temperature of frozen food is allowed to rise unduly during defrosting its storage life may be shortened.

## CLEANING

The most suitable time to clean your appliance is after defrosting the freezer and remember to first switch off and pull out the plug.

Both compartments and all the fittings should be thoroughly cleaned with a clean cloth wrung out in a solution of 5ml (1 teaspoonful) of bicarbonate of soda to each 500ml (1 pint) of warm water.

The freezer compartment may contain a combination of baskets and flaps. For safety reasons the baskets are fitted with stops and can readily be removed by pulling forward to the stop, then lifting the front and pulling all the way out. Re-fit by reversing this procedure. The plastic flaps can only be removed in the upright closed position and should be disengaged from their supports for cleaning by lifting directly upwards.

*Never use detergents, abrasive powders, highly perfumed cleaning materials or wax polishes to clean the interior as these will damage the surfaces and leave a strong smell.*

The outside should be occasionally dusted or wiped over with a damp cloth and a small amount of detergent. But not the door seal, which should be cleaned only with soap

and water and thoroughly dried.

A small amount of wax polish applied every few months will maintain the gloss finish of the outside.

The motor compressor and condenser at the rear should also be cleaned of dust occasionally using a brush, but make sure the appliance is unplugged when you do this.

Occasionally, strong smelling food may leave the fridge with a slight odour. Placing a small dish of bicarbonate of soda powder in the fridge should slowly absorb these smells. The dish should be refilled periodically.

## Going on holiday

Don't switch off at the mains if you intend to leave food in the refrigerator and/or freezer.

For 2 days or less there is no need to remove any food from the refrigerator. For up to 1 week remove all food except eggs, butter and bacon.

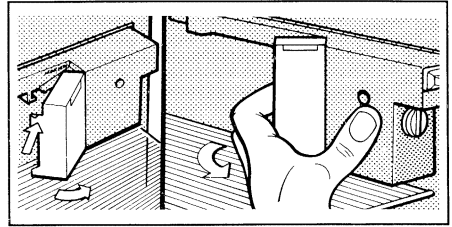
If you are leaving both the refrigerator and freezer compartments empty, switch off at the wall socket and remove the plug. Defrost, clean and dry **and leave both doors open**.

## Changing the light bulb

Should the interior light fail to work, *first switch off and pull out the mains plug*, and then replace the bulb as follows:-

Remove the light cover by pressing the top of the rear forward with your fingers to release the clip and at the same time pull the rear outwards toward the middle of the cabinet. Unscrew the bulb and replace it with a new S.E.S. 10 or 15 watt bulb (available from your nearest Customer Service Centre).

Replace the cover by engaging its front edge in the recess in the light housing and depress the clip at the top of the rear and push into place.



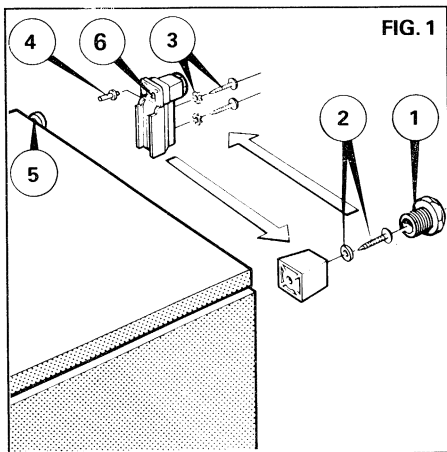
# MODELS D7908, D790C, D8408, D840C

## CHANGING OVER THE DOOR HINGES

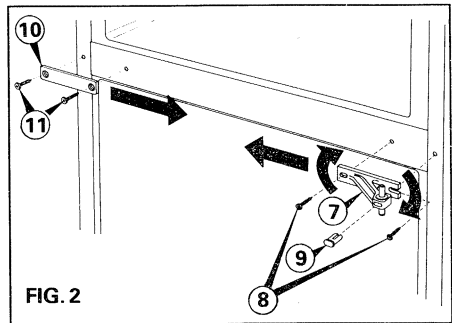
1. If your fridge/freezer is already in use, disconnect it from the electricity supply and remove shelves and other loose items, including food. Place frozen food in another fridge or freezer or in boxes wrapped in blankets or other suitable insulating material and put in a cool place.

2. Gently lie the appliance on its back with the top held away from the floor by at least 12 inches (use a stool or something similar). Remove level adjuster (1) (fig. 1) from the small foot. Remove both front feet by taking out the screw and washer (2) from the centre of the small foot, and both screws and washers (3) from the large foot. (This foot and the hinge blade will come away as a complete assembly). Pull out the lower hinge pin (4) which may have come away with the hinge blade or remained in the door.

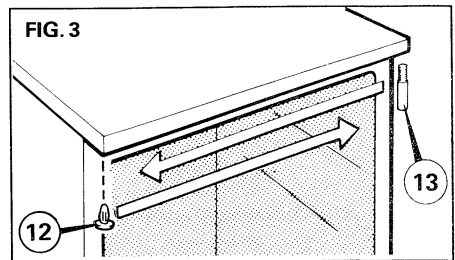
Do not lose the washer(s) (5) (where fitted).



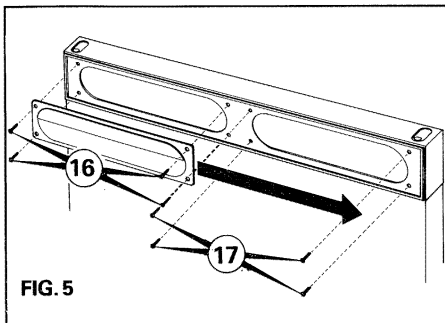
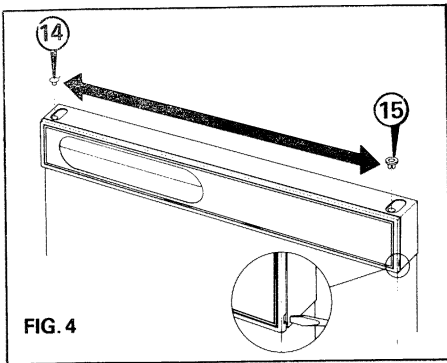
3. Remove the bottom door by lifting it slightly and carefully sliding it down off the centre hinge (7) (fig. 2). Remove centre hinge and washers (where fitted) by taking out the two securing screws (8). Access to the outer screw can be gained by inserting a screwdriver through the hole in the body of the hinge after removing the plastic cap (9). Pull the hinge down out of the top door. The top door can then be removed by carefully sliding it down off the upper hinge pin. Remove the blanking plate (10) by taking out 2 screws (11). Refit the plate and screws on the opposite side.



4. Carefully remove the plastic plug (12) (fig. 3) using a blunt knife blade or similar instrument. Unscrew the upper hinge pin (13) (using a screwdriver if necessary) and transfer it to the opposite side. Fit the plastic plug (12) in the position originally occupied by the upper hinge pin.



5. Transfer the door handles to their new positions as follows (note that figures refer to bottom door, the procedure for transferring the top door handle is identical). Carefully remove hinge plug (14) and hinge bush (15) from both top and bottom of the door and replace on opposite sides. Remove door fascia by inserting a flat screwdriver blade into the end slot and levering off (fig. 4). Remove 4 screws (16) (fig. 5) from handle grip, remove grip and re-insert screws. To fix grip on opposite side, remove 4 screws (17), insert grip and replace screws. Turn fascia around and clip into new position.



6. Re-fit the top door by carefully sliding it onto the upper hinge pin.

7. Turn the centre hinge (7) around from its illustrated position and transfer to the opposite side. To secure the centre hinge, gently press up into top door (refit any spacing washer(s) on the top side of the hinge, to position top door at correct height). Refit the two screws (8) to secure centre hinge to cabinet. Ensure top door is correctly aligned before fully tightening the two screws.

8. Refit the bottom door by carefully sliding it onto the centre hinge pin.

9. Ensure that washer(s) (5) (fig. 1) (if originally fitted) is/are on the lower hinge pin (4), then push the pin (rounded end) into the bush at the bottom of the door on the side opposite to its original position.

10. Refit the lower hinge blade/foot assembly on the opposite side with screws and locking washers (3). Take care to ensure that the shaped end of the hinge pin enters and locate properly in the appropriate hole in the hinge blade.

11. Refit the small foot, its screw entering the hole furthest from the cabinet front; replace the level adjuster (1).

12. Stand the appliance upright.

13. With the appliance standing on a level surface, check that the doors open and close properly and seal all round. If any side adjustment is necessary to the top door, this can be made by loosening the two screws (8) and moving the bottom of the door sideways a little (with the central hinge) to the left or to the right. Be sure to support the door firmly while doing this and re-tighten the screws before testing. When alignment is satisfactory replace plastic cap (9) into the centre hinge.

Adjustment can be made to the lower door by loosening the screw (6) securing the hinge blade to the foot and adjusting the hinge blade in or out, a little at a time, to tighten or loosen the fit. Re-tighten the screw each time an adjustment has been made before again checking for satisfactory door closure. Side adjustment to the lower door can be made by loosening the screws (3) and moving the blade/foot assembly to the left or right. Re-tighten the screws each time an adjustment has been made before checking for satisfactory door closure/alignment.

14. Remember finally to carefully level the fridge/freezer by means of the level adjusters (1) in the feet - see page 2 of operating instructions.

## **SERVICE CHECK**

If the appliance is noisy:

1. Ensure that the appliance compressor unit has not been pushed against the wall, or that any foreign objects are resting against the compressor unit at the base of the appliance.
2. Check that the appliance is level, see 'Installation' section.
3. Ensure that the tubes at the back of the appliance are not vibrating against the cabinet or any other part. If this is so, they should be eased away gently.
4. The liquid refrigerant sometimes causes a very faint bubbling sound. This is quite normal in an appliance of this type.

If appliance fails to operate:

1. Ensure that the appliance is connected to the electricity supply and is switched ON.
2. See the house fuses are intact (this may be checked by plugging another electrical appliance into the same socket outlet). If a fused plug is being used, the internal fuse may have blown – replace with the correct fuse for the circuit (see Installation). Use only certified fuses of reputable make and do not attempt repairs with fuse wire. If the appliance still does not operate contact your nearest Service Centre.

When calling, tell us your name, address with postcode, telephone number and what appears to be wrong, also the model number and serial number of your refrigerator as shown on the rating plate and date of purchase. For future reference we suggest you record these details below:

## **RATING PLATE**

The rating plate is situated inside the appliance. It gives the MODEL AND SERIAL NUMBER, which should be quoted in any communication.

<b>MAKE AND MODEL No.</b>	<b>SERIAL No.</b>	<b>DATE OF PURCHASE</b>

**THIS APPLIANCE COMPLIES WITH THE RADIO INTERFERENCE REQUIREMENTS OF EEC DIRECTIVE 82/499/EEC.**

# HELP US TO HELP YOU

Please determine your type of enquiry before writing or telephoning:

## 1. SERVICE

In the event of your appliance requiring service Tricity Bendix Domestic Appliances have an arrangement with Electrolux Group Service.

Before calling out an Engineer, please ensure you have read the details under the heading 'Service Check' and have the model number and purchase date to hand. The telephone number and address for service is detailed on the list headed 'Customer Service Centres'.

**PLEASE NOTE** that all enquiries concerning service should be addressed to your local Customer Service Centre.

## 2. CUSTOMER RELATIONS DEPARTMENT

FOR GENERAL ENQUIRIES concerning your Tricity or Bendix appliance, or further information on Cookers, Microwaves, Refrigeration or Home Laundry equipment, you are invited to contact our Customer Relations Department.

We have fully trained Home Economists and Advisors just a telephone call away who can provide product information and brochures.

Do not hesitate to contact us by letter or telephone as follows:

Tricity Customer Relations Department  
Tricity Domestic Appliances Limited  
Angel Road,  
Edmonton,  
London N18 3HL

Tel: 01 807 3030



## CUSTOMER SERVICE CENTRES

In the event of your domestic appliance requiring service this can be obtained by calling the nearest Customer Service Centre on the number given below. The areas are defined by Postcode for easy reference.

<b>ABERDEEN</b> IV, KW, AB, DD PH	<b>0224-696569</b>	Electrolux Service 8 Cornhill Arcade, Cornhill Drive, Aberdeen AB2 5UT
<b>ALDERSHOT</b> RG, GU, KT RH	<b>0252 24505</b>	Electrolux Service Hippodrome House, Birchett Road, Aldershot GU11 1LU
<b>BELFAST</b> BT	<b>0232 740296</b>	Electrolux Service Unit C3, Edenderry Ind. Estate, 326 Crumlin Road, Belfast
<b>BIRMINGHAM</b> DY, WR, B WV, TF, ST, WS	<b>021 3587076</b>	Electrolux Service 8 Lammerr Moor Avenue, Great Barr, Birmingham B43 6ET
<b>BRIGHTON</b> BN	<b>0273 694341</b>	Electrolux Service 31 Bristol Gardens, Kemptown, Brighton BN2 5JR
<b>BRISTOL</b> BS, BA, SN	<b>0272 211876</b>	Electrolux Service 3 Waring House, Redcliffe Hill, Bristol BS1 6TB
<b>CANVEY ISLAND</b> RM, CM, SS, CO, IG	<b>0268 694144</b>	Electrolux Service 2-4 Sandhurst, Kings Road, Canvey Island SS8 0QY
<b>CARDIFF</b> SA, LD, HR, NP, CF	<b>0222 460131</b>	Electrolux Service Guardian Industrial Estate, Clydesmuir Road, Tremorfa, Cardiff CF2 2QS
<b>EDINBURGH</b> KY, EH, TD, FK	<b>031 229 1232</b>	Electrolux Service 4 Lochrin Place, Tollcross, Edinburgh EH3 9QY
<b>GATESHEAD</b> NE, CA, DL, TS, DH, SR	<b>091 493 2025</b>	Electrolux Service Suite 3, Saltwell House, Lobley Hill Road Gateshead NE8 4DD
<b>GLASGOW</b> DG, KA, ML, PA, G	<b>041 647 4381</b>	Electrolux Service 20 Cunningham Road, Clyde Estate, Rutherglen Glasgow G73 1PP
<b>LEEDS</b> DN, HU, YO, HG, WF, LS, S HX, HD, BD	<b>0532 608511</b>	Electrolux Service 64-66 Cross Gates Road, Leeds LS15 7NN
<b>LEICESTER</b> LE, DE, NG, LN, CV	<b>0533 515131</b>	Electrolux Service 10-12 Buckminster Road, Leicester, LE3 9AR
<b>LONDON (NORTH)</b> EC, WC, NW, EN, E, N, W	<b>01 884 2284</b>	Electrolux Service Angel Road, Edmonton London N18 3HL
<b>LONDON (SOUTH)</b> SW, SE, SM, CR, BR	<b>01 658 9069</b>	Electrolux Service 127 Croydon Road, Beckenham, Kent
<b>LONDON (WEST)</b> HA, WD, UB, TW	<b>01 965 9699</b>	Electrolux Service 842 Coronation Road, Park Royal, London NW10
<b>LUTON</b> LU, MK, SG, CB, AL	<b>0582 575966</b>	Electrolux Service 101 Oakley Road, Luton LU4 9QQ
<b>MANCHESTER</b> SK, BL, OL, BB, M	<b>061 330 5081</b>	Electrolux Service Ashton Street, Dukinfield Manchester SK16 4RN
<b>NEWTON ABBOT</b> TR, PL, TQ, EX, TA	<b>0626 65909</b>	Electrolux Service 2nd Floor (7), Bridge House, Courtenay Street, Newton Abbot TQ12 2QS
<b>NORWICH</b> PE, NR, IP	<b>0603 667017</b>	Electrolux Service 1 Malthouse Lane, Norwich, Norfolk
<b>OXFORD</b> GL, OX, NN, HP, SL	<b>0993 4411</b>	Electrolux Service Suite 3, Windrush Court, 56A High Street, Witney OX8 6BJ
<b>PORTSMOUTH</b> BH, SP, DT, PO, SO	<b>0705 667411</b>	Electrolux Service Limerline Road, Hilsea, Portsmouth PO3 5JJ
<b>SOUTHPORT</b> CW, CH, LL, SY, LA, WA, WN, PR, FY, L	<b>0704 29221</b>	Electrolux Service Slaidburn Crescent, Fylde Road Industrial Est Southport PR9 9YF
<b>TONBRIDGE</b> TN, DA, ME, CT	<b>0732 357722</b>	Electrolux Service 61-63 High Street, Tonbridge TN10 3RY

The responsibility for service is maintained at a local level and therefore any problems related to service should be addressed to the Customer Service Centre in your area. Telephone lines are busy at peak periods (i.e. Monday morning). In the event of continued problems at a local level you may contact the Customer Care Centre as detailed:

Tricity Bendix Service, PO Box 12, Portsmouth PO3 5JJ. Tel: 0705 664466

April 1988 01

# Guarantee

**This Guarantee is offered to you as an extra benefit and does not affect your legal rights.**

Tricity products are carefully designed, manufactured, tested and inspected and in consequence we undertake to replace or repair any part found to be defective in material or workmanship, within one year of delivery to the original purchaser, free of charge.

The Company does not accept liability for defects arising from neglect, misuse, or accident. The interior lightbulb and glassware (where fitted) are also excluded from the guarantee.

There are certain conditions which may invalidate this guarantee:

- a) It is dependent upon the appliance being correctly installed and used in accordance with the Company's instructions under normal domestic conditions within the United Kingdom or the Republic of Ireland.
- b) Service under the guarantee must be carried out by an Electrolux service representative or authorised agent.
- c) The guarantee may be invalidated by unauthorised repair or modification of the appliance.

Proof of the date of purchase will be required before service under guarantee is provided. Addresses or telephone numbers for service requests are detailed on the list headed 'Customer Service Centre'.

We must point out that this guarantee does not cover liability for loss of food or other contents.



# **Tricity Domestic Appliances Limited**

Angel Road, Edmonton, London N18 3HL

822020039-00-00