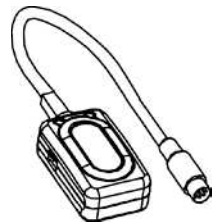
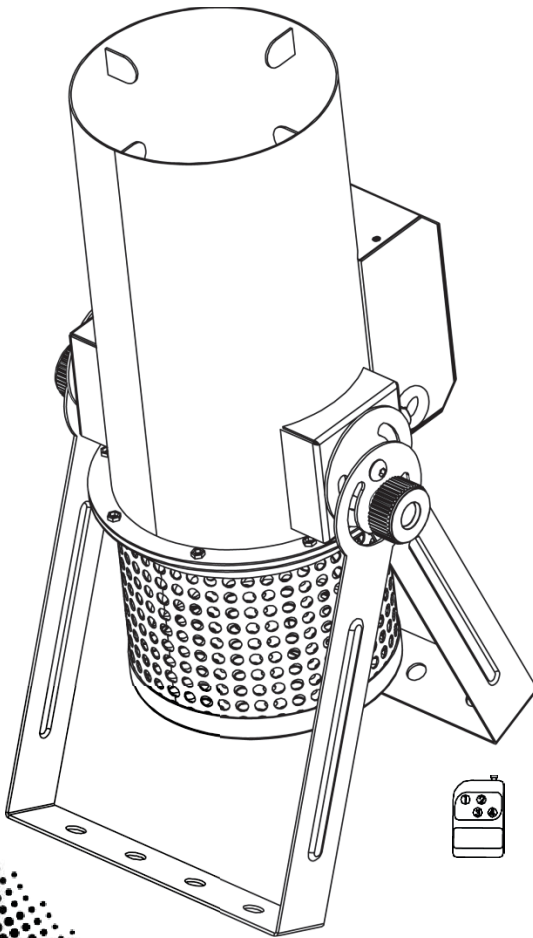


# ***Funfetti***™

## Quick Reference Guide



**CHAUVET**®

**About This Guide** The Funfetti™ Quick Reference Guide (QRG) contains information about the product's connection, mounting, and operation.

**Disclaimer** The information and specifications contained in this QRG are subject to change without notice.

**Safety Notes** These Safety Notes include important safety information about installation, usage, and maintenance.



- Always connect this product to a grounded circuit to avoid the risk of electrocution.
- Always disconnect from the power source before cleaning this product.
- Never disconnect this product from power cord by pulling or tugging on the cord.
- If mounting this product overhead, always secure it to a fastening device using a safety cable.
- Do not mount this product on or near a flammable surface.
- Never aim the cannon at people or animals.
- Never look directly into the cannon.



- Make sure the voltage of the outlet to which you are connecting is within the range stated on the decal or rear panel of the product.
- This product is for indoor use only! (IP20) To prevent risk of fire or shock, do not expose this product to rain or moisture.
- Always install this product in a location with adequate ventilation, at least 20 in (50 cm) from adjacent surfaces.
- Be sure that no ventilation slots on the unit's housing are blocked.
- Do not intentionally obstruct the air vents or leave machine unattended.
- Never connect this product to a dimmer.
- Never carry this product from the power cord.
- The maximum ambient temperature is 104 °F (40 °C). Do not operate this product at higher temperatures.
- In the event of a serious operating problem, stop using the unit immediately.
- Never try to repair this product. Repairs performed by unauthorized technicians can lead to damage or malfunction. Please contact the nearest authorized technical assistance center.
- To eliminate unnecessary wear and improve its lifespan, during periods of non-use completely disconnect the product from the power via the breaker or by unplugging it.

**Contact**

- From outside the U.S., UK, Ireland, or Mexico, contact the distributor of record to request support or return a product.
- From inside the U.S., UK, Ireland, or Mexico, use the information in [Contact Us](#) at the end of this QRG.

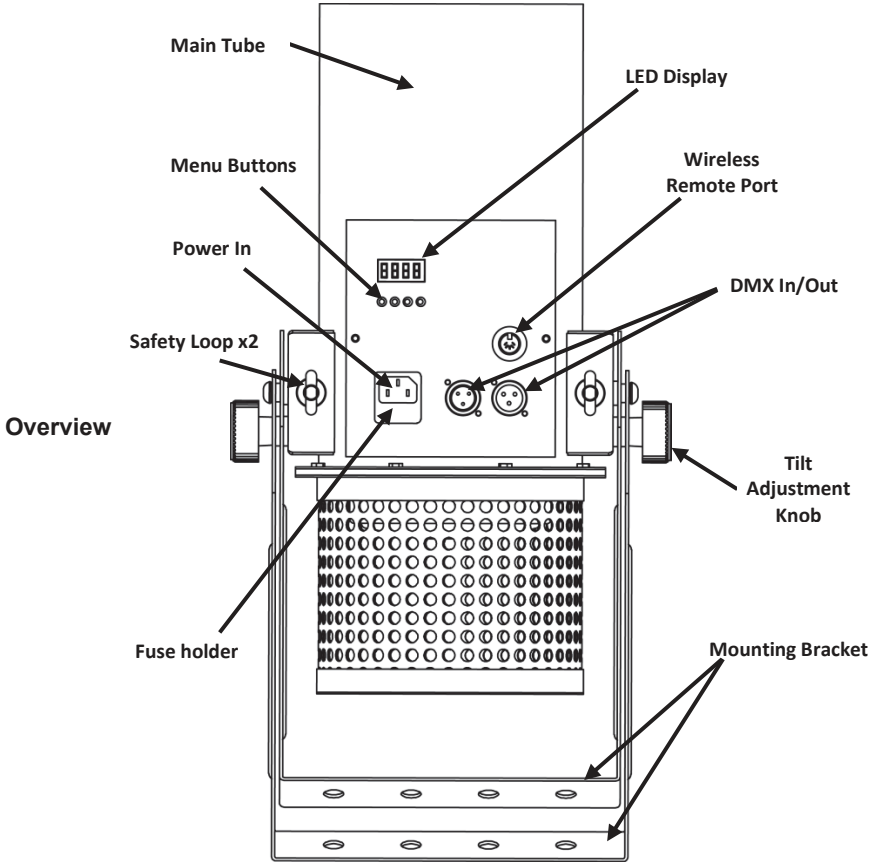
- What Is Included**
- Funfetti™
  - FC-W Wireless Receiver
  - FC-W Wireless Transmitter
  - Power Cord
  - Warranty Card
  - Quick Reference Guide

**To Begin** Carefully unpack the Funfetti™ and check that all the parts are in the package, and are in good condition.

If the box, or any of the contents, appear damaged from shipping, or show signs of mishandling, save all packaging and file a claim with the carrier immediately. Do not notify Chauvet. Failure to report damage to the carrier immediately, or failure to have all packaging available for inspection, could invalidate your claim.

For other issues, such as missing components or parts, damage not related to shipping, or concealed damage, file a claim with Chauvet within 7 days of delivery. For information on contacting Chauvet, see the [Contact Us](#) section of this QRG.

**Description** The Funfetti™ is an electric confetti launcher, perfect for concerts, parties, or special events. Featuring DMX or wireless remote control, this simple to set up launcher requires no CO<sub>2</sub> and comes with a double-bracketed yoke for easy floor standing or hanging. Fits nicely in the CHS-50 VIP Gear Bag by Chauvet.

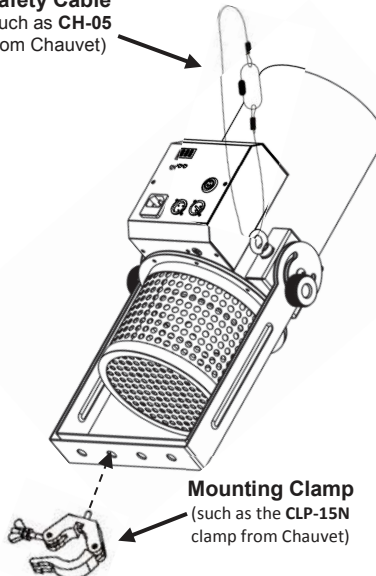


**Mounting** Before mounting this product, read the [Safety Notes](#). Place launcher on a flat, level surface using the double brackets provided or use a clamp to mount to truss systems (such as TRUSST®). Always use at least one safety cable to secure to rigging.

**i** Ensure that the launcher is not shooting directly into anyone's face or above heavy traffic areas.

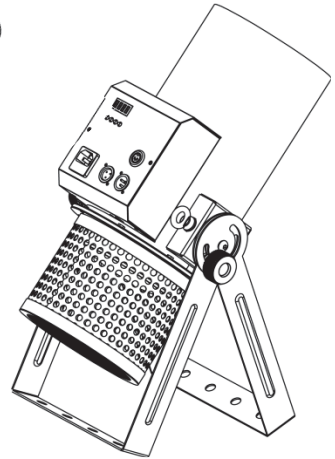
### Mounting Diagram

**Safety Cable**  
(such as CH-05  
from Chauvet)



**Overhead Mounting**

**Mounting Clamp**  
(such as the CLP-15N  
clamp from Chauvet)



**Floor Mounting**



When mounting overhead, be sure to point Funfetti™ at an upward angle to keep the confetti from pouring out prior to launching.

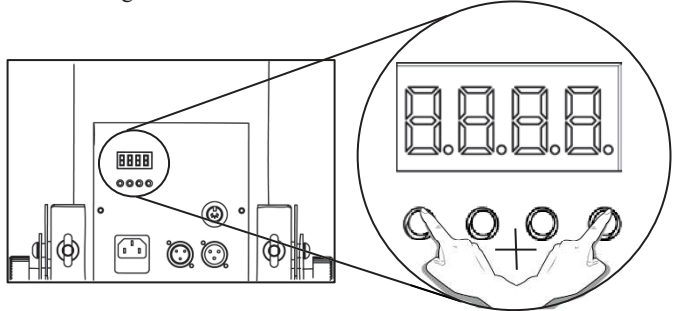
**AC Power** This product has a voltage-specific power supply that can work with an input voltage of 120 VAC, 60 Hz or 230 VAC, 50 Hz.

- Fuse Replacement**
1. Disconnect the product from power.
  2. Wedge the tip of a flat-head screwdriver into the slot of the fuse holder.
  3. Pry the safety cap out of the housing.
  4. Remove the blown fuse from the clip on the front of the safety cap and replace with a fuse of the exact same type and rating.
  5. Re-insert the fuse holder and reconnect power.



Disconnect the product from power before replacing the fuse.

- Operation**
1. Fill the main tube with Funfetti™ refills (FRC, FRM, and FRU, sold separately).
    - Note: The use of CHAUVET® Funfetti™ refills, specially manufactured for use with Funfetti™ launchers, is recommended. The standard tank capacity is: 0.5 lb (0.25 kg) for FRC and FRU; 1 lb (0.45 kg) for FRM.**
  2. Plug into a suitable power outlet.
  3. Turn on the Funfetti™ by one of the following:
    - Pressing the <MENU> and <ENTER> buttons at the same time.



- Using DMX activation.
- Pressing the button assigned to **CH-1** on the FC-W wireless remote control.

**Note: To refill the Funfetti™ launcher, turn off the launcher and add more Funfetti™ refill to the main tube.**

**Control from the Display** Press the <MENU> and <ENTER> buttons at the same time. This will activate the Funfetti™ blower fan immediately. Press buttons again to shut off.



- **The display will show d 1 while in this standalone mode.**
- **Set your DMX before loading Funfetti™ refills.**
- **The fan will blast confetti up to 30 ft (9 m) and run for 25 seconds.**

**FC-W Wireless Remote Control** To trigger the Funfetti™ using the FC-W wireless remote control, plug in the product and do the following:

1. Plug the wireless receiver into the Wireless Remote port on the side of the Funfetti™.
2. On the wireless transmitter, press the button assigned to **CH-1** (1–4) and the Funfetti™ fan turns on.

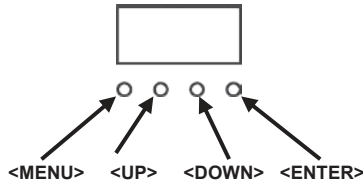
For more information on the FC-W or to download instructions, go to <http://www.chauvetlighting.com/product-manuals-literature/>.

**DMX Linking** The Funfetti™ works with a DMX controller. Information about configuring Funfetti™ for DMX operation is in the User Manual, which is available from the Chauvet website <http://www.chauvetlighting.com/product-manuals-literature/>. Information about DMX is in the DMX Primer, which is available from the Chauvet website <http://www.chauvetlighting.com/downloads>.

**Starting Address** To ensure full access to all channels in each DMX mode, the highest recommended DMX address for this product is **512**.

**Control Panel Description**

Button	Function
<MENU>	Exits from the current menu or function
<UP>	Navigates upwards through the menu list or increases the numeric value when in a function
<DOWN>	Navigates downwards through the menu list or decreases the numeric value when in a function
<ENTER>	Enables the currently displayed menu or sets the currently selected value into the selected function



**Menu Map**

Main Function	Programming Levels		Description
DMX Address	Addr	d 1–512	Sets the DMX address

**DMX Assignments**

1 Channel	Channel	Function	Value	Setting
	1	Off/On	000 ⇄ 009	Off
			010 ⇄ 255	On

**Technical Specifications**

<b>Dimensions and Weight</b>	<b>Length</b>	<b>Width</b>	<b>Height</b>	<b>Weight</b>
	11.2 in (284 mm)	9 in (228 mm)	21.8 in (553 mm)	13.6 lb (6.2 kg)
<b>Note:</b> Dimensions in inches rounded to the nearest decimal digit.				
<b>Tank Capacity</b>	<b>Standard Confetti (FRC)</b>	<b>Mirror Confetti (FRM)</b>	<b>UV Confetti (FRU)</b>	
	0.5 lb (0.25 kg)	1.0 lb (0.45 kg)	0.5 lb (0.25 kg)	
<b>Parameters</b>	<b>Launch Duration</b>	<b>Throw Distance</b>	<b>Coverage Area</b>	
	25 Seconds	30 ft (9 m)	540 ft <sup>2</sup> (50 m <sup>2</sup> )	
<b>Power</b>	<b>Power Supply Type</b>	<b>Range</b>	<b>Voltage Selection</b>	
	Voltage specific	120 VAC, 60 Hz or 230 VAC, 50 Hz	Fixed voltage	
	<b>Parameter</b>	<b>120 V, 60 Hz</b>	<b>230 V, 50 Hz</b>	
	Consumption	1,380 W	1,430 W	
	Operating current	12 A	7 A	
	Fuse	F 15 A, 250 V	F 7 A, 250 V	
	<b>Power I/O</b>	<b>US/Canada</b>	<b>UK/Worldwide</b>	
Power Cord plug	Edison (US)	Local plug		
<b>DMX</b>	<b>I/O Connectors</b>	<b>Connector Type</b>	<b>Channel Range</b>	
	3-pin XLR	Sockets	1	
<b>Thermal</b>	<b>Maximum External Temp.</b>	<b>Cooling</b>		
	104 °F (40 °C)	Fan-Assisted Convection		
<b>Ordering</b>	<b>Product Name</b>	<b>Item Code</b>	<b>UPC Number</b>	
	Funfetti™	(120 V) 05070918	(120 V) 781462212667	
		(230 V) 05070933	(230 V) 781462212810	