

Bellman Visit Baby Cry Transmitter, BE1490 (GB)



Thank you for choosing products from Bellman & Symfon.

The Bellman Visit 868 System consists of a number of radio transmitters and receivers. The transmitters detect different events in the surrounding area and transmit a radio signal to the receivers. The receivers pick up this signal and provide indications using light, sound and/or vibration.

The transmitter determines what type of light, sound or vibration should be displayed so that the reason for the indication is evident.

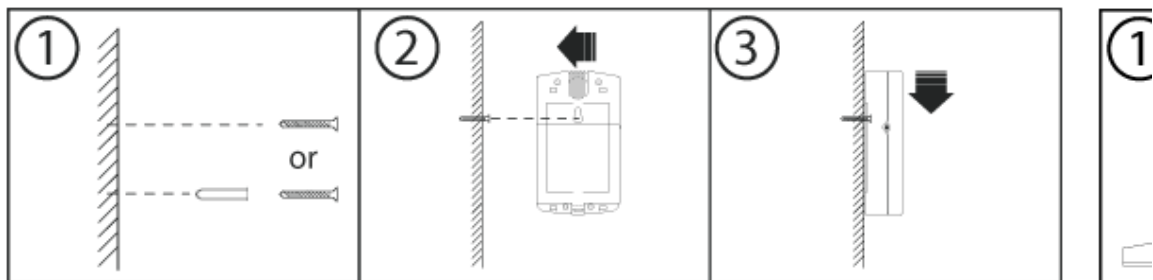
Read through the entire user manual first and then start to install the system.

Refer to the illustration of the Bellman Visit 868 System on the inside of the cover.

Getting started

Unpacking, installing and testing the unit

1. Open the battery cover (6). Fit one 9V battery, either a 6LR61 alkaline or 6F22 lithium type battery, and close the battery cover.
2. Press the Test Button (3). The Bellman Visit 868 Baby Cry Transmitter lights up the LED (1) to indicate that the unit is transmitting a radio signal. The Bellman Visit 868 receivers will indicate the Baby Cry Transmitter.
3. The Bellman Visit 868 Baby Cry Transmitter can either be placed on a level surface using the base supplied or suspended on the wall mount bracket (5) on the screw supplied. A suitable distance from the child is 0.5-2 m. It should not be placed close enough for the child to reach it.

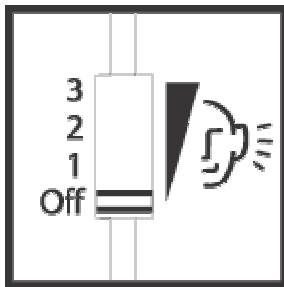


Function

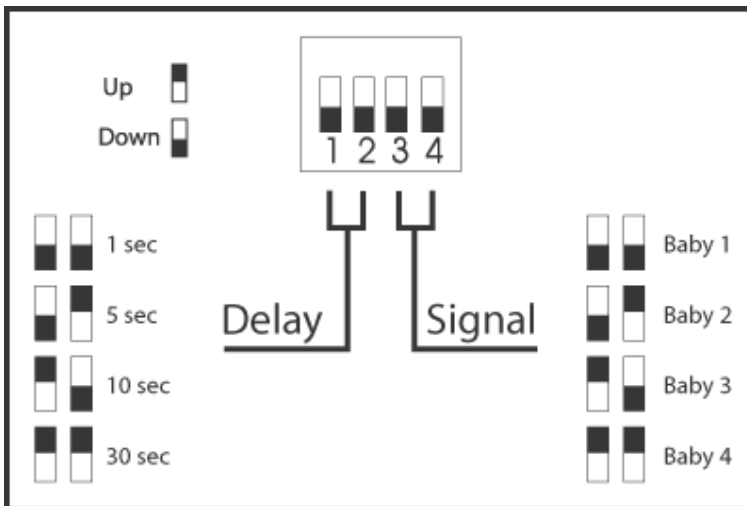
General

The BE1490 Bellman Visit 868 Baby Cry Transmitter is a radio transmitter within the Bellman Visit 868 System for indoor

use, which recognises the sound from a crying baby. The Baby Cry Transmitter is activated by the built-in microphone and can transmit different signal patterns to the receivers in the Bellman Visit 868 System. The sensitivity can be controlled via the sound sensitivity switch (4) and the delay time before the Baby Cry Transmitter transmits radio signals can be controlled via the delay switches (7).



- 3 = On, high sensitivity
- 2 = On, normal sensitivity
- 1 = On, low sensitivity
- 0 = Off



Radio key

On delivery all Bellman Visit 868 units are tuned to the same Radio Key. If you have a neighbour with a similar system, you can change to different Radio Keys so that you do not affect each other's systems. If you use the Radio Key Switch (8) to change the radio key on this transmitter, you must also change all other units in your Bellman Visit 868 System to the same radio key. Refer to the user manual for the relevant unit.

Indicators and Signals

System indicators

When the LED (1) lights up, the Baby Cry Transmitter transmits radio signals.

Power supply

When the Baby Cry Transmitter is activated, the LED (1) lights up green. This means that the battery is in good condition. If the LED (1) lights up yellow, this means that the battery is flat and must be changed. Only use an alkaline 6LR61 or a lithium 6F22 type battery.

Troubleshooting in brief

| Problem | Solution |
|---------|----------|
|---------|----------|

| | |
|---|--|
| Nothing happens when the transmitter is activated. | <ul style="list-style-type: none"> • Check that the Baby Cry Transmitter is switched on. • Change the battery. Only use an alkaline 6LR61 or a lithium 6F22 type battery. |
| The LED (1) lights up yellow when the Baby Cry Transmitter is activated. | <ul style="list-style-type: none"> • Change the battery. Only use an alkaline 6LR61 or a lithium 6F22 type battery. |
| The LED (1) lights up green when the Baby Cry Transmitter is activated, but the receivers are not signalling. | <ul style="list-style-type: none"> • Check the battery in the receiver. • Check that the receivers are not placed too far away by moving them closer to the transmitter. • Check that the Baby Cry Transmitter is set to the correct radio key. For further information see Function/Radio key. |
| The Baby Cry Transmitter does not signal even though the child is crying. | <ul style="list-style-type: none"> • Increase the sensitivity using the sound sensitivity switch (4) or place the Baby Cry Transmitter closer to the child, but not close enough for the child to reach it. For further information see Function/General. |
| The Baby Cry Transmitter transmits a signal even though the baby is not making much noise. | <ul style="list-style-type: none"> • Reduce the sensitivity using the sound sensitivity switch (4) or move the Baby Cry Transmitter further away from the child. For further information see Function/General. |
| The child cries for a long time before the Baby Cry Transmitter transmits a signal to the receiver. | <ul style="list-style-type: none"> • Reduce the delay time using the Delay Switch (7). For further information see Function/General. |
| The Baby Cry Transmitter transmits a signal even though the baby only cries for a short time. | <ul style="list-style-type: none"> • Increase the delay time using the Delay Switch (7). For further information see Function/General. |
| The receiver signals when no | <ul style="list-style-type: none"> • Change the Radio Key on all units in the system. For further |

For further information about the product in English, refer to the Appendix.

1. LED. Combined transmission and battery indicator. For further information see Indicators and Signals
2. Microphone
3. Test button
4. Sound sensitivity switch
5. Wall mount bracket
6. Battery cover
7. Delay and signal switches
8. Radio key switch

