



Quality Refrigeration

OWNER'S MANUAL

Instructions for the installation, operation
and maintenance of Traulsen:

RMC Milk Cooler

RMC34, RMC49 & RMC58 Models



This Traulsen unit is built to our highest quality standards. We build our refrigerators and freezers this way as a matter of pride. This philosophy has made Traulsen the leader in commercial refrigeration since 1938. We thank you for your choice and confidence in Traulsen equipment and we know you will receive many years of utility from this equipment.

All Traulsen units are placed on a permanent record file with the service department. In the event of any future questions you may have, please refer to the model and serial number found on the name tag affixed to the unit. Should you need service, call us on our toll free number, 800-825-8220 between 7:30 am - 4:30 pm CST, Monday thru Friday. You may also log onto www.traulsen.com for further information. It is our pleasure to help and assist you in every possible way.

INSTALLER

COMPLETE THE FOLLOWING INFORMATION PRIOR TO UNIT INSTALLATION

INITIAL START DATE: _____ SERIAL NO. _____

MODEL TYPE: _____

COMPANY/INDIVIDUAL NAME: _____

INSTALLER: _____

TABLE OF CONTENTS

I. THE SERIAL TAG	Page 1
II. RECEIPT INSPECTION	Page 2
III. INSTALLATION	
a-Location	Page 2
b-Packaging	Page 2
c-Installing/Adjusting the Casters	Page 2
d-Cord & Plug	Page 2
e-Power Supply	Page 2
IV. OPERATION	
a-Temperature Control	Page 2
V. CARE & MAINTENANCE	
a-Cleaning The Condenser/Filter	Page 3
b-Replacing The Door Gaskets	Page 3
c-Cleaning The Cabinet Surface	Page 3
VI. WIRING DIAGRAM	Page 4
VII. TROUBLE SHOOTING GUIDE	Page 5
VIII. SERVICE ASSISTANCE	
a-Service Check List	Page 5
b-Service Information	Page 5
IX. WARRANTIES	Page 6
X. SERVICE PARTS LIST	Page 7-8



SERIAL		MODEL	
VOLTS	Hz		PH
TOTAL CURRENT		AMPS	
MINIMUM CIRCUIT	AMPS		
MAXIMUM OVERCURRENT PROTECTION			AMPS
LIGHTS	WATTS		
HEATERS	AMPS		
REFRIGERANT		TYPE	OZ
DESIGN PRESSURE		HIGH	LOW
REFRIGERANT		TYPE	OZ
DESIGN PRESSURE		HIGH	LOW

370-60294-00 REV (A)



I. THE SERIAL TAG

The serial tag is a permanently affixed label on which is recorded vital electrical and refrigeration data about your Traulsen product, as well as the model and serial number. This tag is located in the left interior compartment on all standard milk cooler models.

READING THE SERIAL TAG

- Serial = The permanent ID# of your Traulsen unit
- Model = The model # of your Traulsen unit
- Volts = Voltage
- Hz = Cycle
- PH = Phase
- Total Current = Maximum amp draw
- Minimum Circuit = Minimum circuit ampacity
- Lights = Light wattage
- Heaters = Heater amperage (Hot Food units only)
- Refrigerant = Refrigerant type used
- Design Pressure = High & low side operating pressures and refrigerant charge
- Agency Labels = Designates agency listings

II. RECEIPT INSPECTION

All Traulsen products are factory tested for performance and are free from defects when shipped. The utmost care has been taken in crating this product to protect against damage in transit.

You should carefully inspect your unit for damage during delivery. If damage is detected, you should save all the crating materials and make note on the carrier's Bill Of Lading describing the damage. A freight claim should be filed immediately. If damage is subsequently noted during or immediately after installation, contact our customer care team to file a freight claim. There is a fifteen (15) day limit to file freight damage with the carrier. Under no condition may a damaged unit be returned to Traulsen without first obtaining written permission (return authorization). You may contact Hobart/Traulsen customer care at 800-333-7447 to request a return or file a claim.

III. INSTALLATION

III. a - LOCATION:

Select a proper location for your unit, away from extreme heat or cold.

III. b - PACKAGING:

Your Traulsen unit is shipped from the factory bolted to a sturdy wooden pallet in stretch wrapped material.

Most exterior stainless steel surfaces have a protective vinyl covering to prevent scratching during manufacturing, shipping and installation. After the unit is installed in place of application peel, remove and discard the covering from all surfaces.

To remove the wooden pallet, first if at all possible, we suggest that the cabinet remain bolted to the pallet during all transportation to the point of final installation. The bolts can then be removed with a 1/2" socket wrench. Avoid laying the unit on its back for removal of the pallet.

NOTE: Traulsen does not recommend laying the unit on its back. If you must, please allow the unit to remain in an upright position for 24 hours before plugging it in so that the compressor oils and refrigerant may settle.

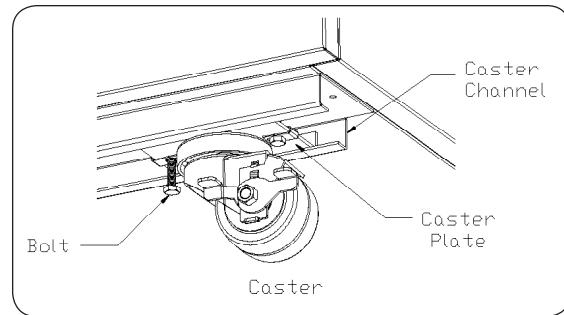
III. c - INSTALLING/ADJUSTING LEGS OR CASTERS:

Castors are installed at the factory but will require adjustment upon installation.

To adjust the legs or casters, loosen the two bolts and move leg or caster to desired location, spacing between leg or caster not to exceed 48 inches. Leg or caster on each end of the unit can not exceed 8 inches from the end of the cabinet.

III. INSTALLATION (continued)

III. c - INSTALLING/ADJUSTING LEGS OR CASTERS:



III. d - CORD & PLUG:

All self-contained models are shipped standard with a NEMA 5-15P plug and 9 foot cord. Select only a dedicated electrical outlet for power source.

NOTE: Do not under any circumstances, cut or remove the round grounding prong from the plug, or use an extension cord.

III. e - POWER SUPPLY:

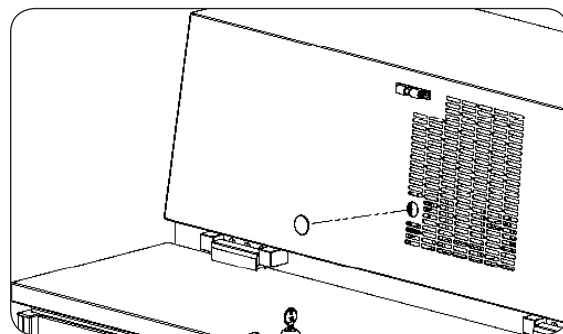
The supply voltage should be checked prior to connection to be certain that proper voltage for the cabinet wiring is available (refer to the serial tag to determine correct unit voltage, see page 1). Make connections in accordance with local electrical codes. Use qualified electricians.

Use of a separate, dedicated circuit is required. Size wiring to handle indicated load and provide necessary over current protector in circuit (see amperage requirements on the unit's serial tag).

IV. OPERATION

IV. a - TEMPERATURE CONTROL:

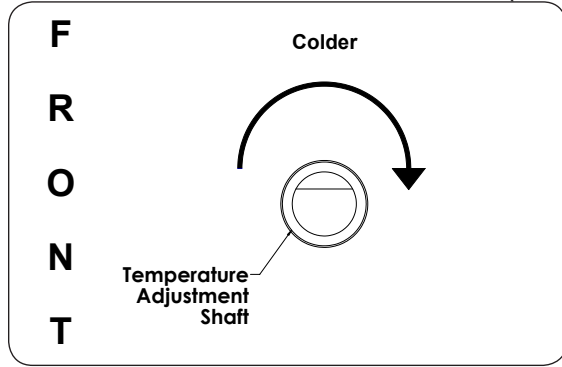
The temperature is set at the factory but local conditions may necessitate slight adjustment.



The temperature control is located behind the silver plug on the front side of the system area (dial thermometer side). To adjust, remove the plug turn the adjustment screw with a pair of pliers a small amount at a time; turning clockwise lowers the temperature. An "OFF" position is fully counterclockwise and interrupts power to the compressor and condenser fan only, not the entire refrigerator.

IV. OPERATION (continued)

IV. a - TEMPERATURE CONTROL: (continued)



V. CARE & MAINTENANCE

V. a - CLEANING THE CONDENSER/FILTER:

The most important thing you can do to insure a long, reliable service life for your Traulsen is to regularly clean the condenser coil and or filter.

WARNING: DISCONNECT ELECTRICAL POWER SUPPLY BEFORE CLEANING ANY PARTS OF THE UNIT.

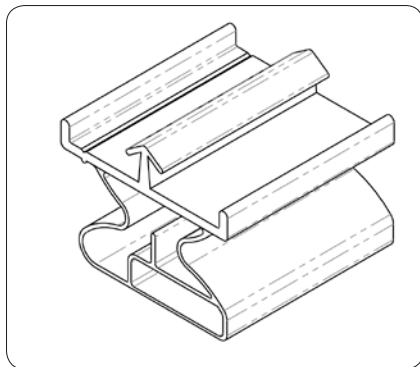
To clean the condenser/filter, first disconnect electrical power to the cabinet and remove the system side cover.

Proceed to vacuum or brush any dirt, lint or dust from the finned condenser coil/filter, the compressor and other cooling system parts. If significant dirt is clogging the condenser fins or filter, use compressed air to blow this clear. To replace the system side cover reverse the process.

V. b - REPLACING THE DOOR GASKETS:

To remove the gasket to be replaced, grasp it firmly by one corner and pull it out. Before attempting to install a new gasket, both the unit and the gasket itself must be at room temperature. Insert the four corners first by using a rubber mallet (or hammer with a block of wood). After the corners are properly inserted, work your way towards the center from both ends by gently hitting with a mallet until the gasket is completely seated in place (see figure below for proper gasket placement).

NOTE: The gasket may appear too large, but if it is installed as indicated above it will slip into place.

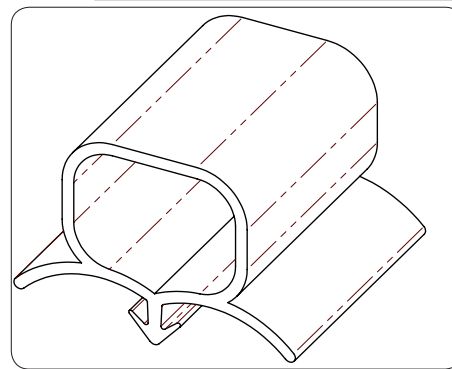


Front Door Gasket

NOTE: System gasket attached with screw.

V. CARE & MAINTENANCE (continued)

V. b - REPLACING THE DOOR GASKETS:



Top Door Gasket

V. c - CLEANING THE CABINET SURFACES:

WARNING: DISCONNECT ELECTRICAL POWER SUPPLY BEFORE CLEANING ANY PARTS OF THE UNIT.

Exterior stainless steel should be cleaned with warm water, mild soap and a soft cloth. Apply with a dampened cloth and wipe in the direction of the metal grain.

Avoid the use of strong detergents and gritty, abrasive cleaners as they may tend to mar and scratch the surface. Do NOT use cleansers containing chlorine, such as bleach, this may promote corrosion of the stainless steel.

Care should also be taken to avoid splashing the unit with water, containing chlorinated cleansers, when mopping the floor around the unit.

For stubborn odor or spills, use baking soda and water (mixed to a 1 tbsp baking soda to 1 pint water ratio).

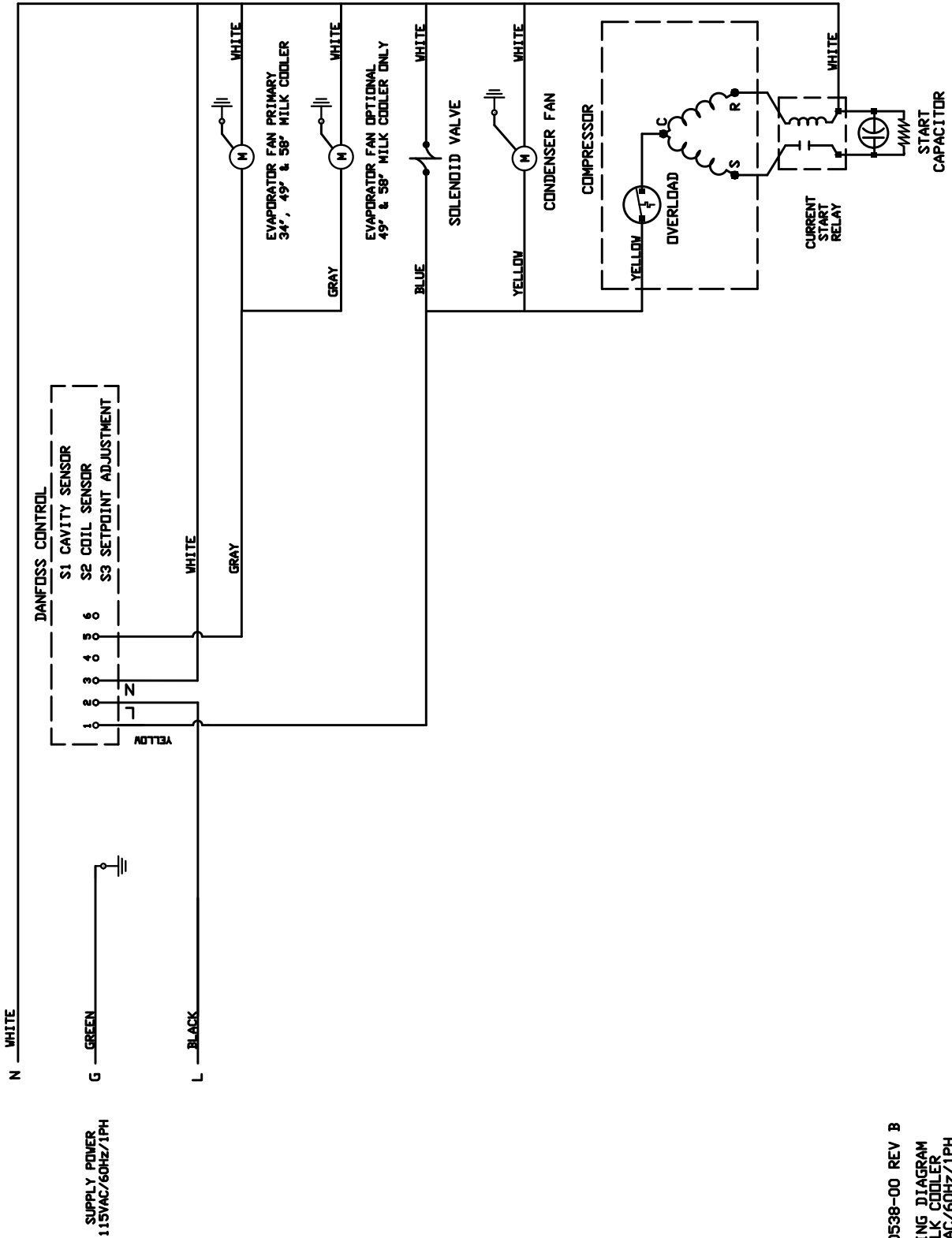
A stainless steel polish is recommended for shining of unit.



The unit is equipped with a drain for cleaning the inside of the unit.

VI. WIRING DIAGRAM

NOTE: Refer to the wiring diagram below for any service work performed by a qualified technician.



379-60538-00 REV B
 WIRING DIAGRAM
 MILK COOLER
 115VAC/60Hz/1PH

VII. TROUBLE SHOOTING GUIDE

PROBLEM	POSSIBLE SOLUTION
1. Condensing unit fails to start.	a. Check if cord & plug has been disconnected. b. Clean Condenser
2. Condensing unit operates for prolonged periods or continuously.	a. Are doors closed properly? b. Dirty condenser or filter. Clean properly. c. Evaporator coils iced. Needs to defrost.
3. Food Compartment is too warm. (NOTE: Compressor may be cycling ON/OFF frequently)	a. Check door(s) and gasket(s) for proper seal. b. Check if a large quantity of warm food was recently added or the door was kept open for a long period of time. c. Clean Condenser
4. Food Compartment is too cold.	a. Check if a large quantity of very cold or frozen food has recently been added. Allow adequate time for the cabinet to recover its normal operating temperature.
5. Condensation on exterior surface.	a. Check door(s) alignment and gaskets for proper seal. b. Condensation on the exterior surface of the unit is perfectly normal during periods of high humidity.
6. Compressor hums & does not start.	a. Call for service.

VII. SERVICE ASSISTANCE

VII. a - SERVICE CHECK LIST:

Before calling for service, please check the following:

- Is the electrical cord plugged in?
- Is the fuse OK or circuit breaker on?
- Clean condenser coil
- Is the power switch on?

If after checking the above items and the unit is still not operating properly, please contact an authorized Traulsen service agent. A complete list of authorized service agents was provided along with your Traulsen unit. If you cannot locate this, you may also obtain the name of a service agent from the Tech Service page at traulsen.com. If service is not satisfactory, please contact our in-house service department at:

Traulsen
4401 Blue Mound Road Fort Worth, TX 76106
800.825.8220

Traulsen reserves the right to change specifications or discontinue models without notice.

VII. b - SERVICE INFORMATION:

To purchase replacement parts or to speak to service support for Traulsen and most Hobart Refrigeration units please contact our Ft. Worth facility by phone at 800.825.8220 or fax to 817.740.6748 (parts) or 817.740.6757 (service).

To obtain other service information you may log onto:

1. **traulsen.com**
2. Select **Service & Parts** Tab (upper right of screen)
3. Select one of the following: **Service Finder, Service Parts Manuals, Parts Pricing & Warranty Registration**

NOTE: When calling for service support, please make sure you have model and serial number of unit available.

IX. WARRANTIES



STANDARD DOMESTIC WARRANTY

TRAULSEN warrants new equipment to the original purchaser, when installed within the United States against defective material and workmanship for three (3) years from the date of original installation. Under this warranty, TRAULSEN will repair or replace, at its option, including service and labor, all parts found to be defective and subject to this warranty. Warranty term begins upon the date of Installation, the date of End User Invoice or the date of Dealer Invoice, whichever is proven to occur latest, not to exceed 18 months from Dealer Invoice date (the "Warranty Period"). Warranty excludes components that are removable without tools.

The compressor part is warranted for an additional two (2) years. During this period TRAULSEN will supply replacement compressor(s) if deemed defective, however all installation, recharging and repair costs will remain the responsibility of the owner.

This warranty does not apply to damage resulting from fire, water, burglary, accident, abuse, misuse, transit, acts of God, terrorism, attempted repairs, improper installation by unauthorized persons, and does not apply to food loss.

For Traulsen units purchased with a remote feature, standard warranty will apply only to those components contained within the unit to the point of connection of the refrigeration lines leading to the remote condenser.

"Defective Part Return" – All claimed defective replacement part(s) must be returned to TRAULSEN for inspection within 30 days from the date of the repair. Failure to return all claimed defective part(s) to TRAULSEN will invalidate the warranty claim, this warranty statement, and forfeit payment for those repairs affected.

INTERNATIONAL COMMERCIAL WARRANTY

TRAULSEN warrants to the original purchaser the Refrigeration Equipment shall be manufactured free from defects in material and workmanship under normal use and service for a period of one (1) year from date of shipment. Under this warranty, TRAULSEN will reimburse the purchaser for the replacement of any part of said equipment (excluding dryers & refrigerant gas) which then proves to be defective. This warranty does not apply to damage resulting from fire, water, burglary, accident, abuse, misuse, transit, acts of God, terrorism, attempted repairs, improper installation by unauthorized persons, and will not apply to food loss.

TRAULSEN'S standard warranty does not apply to Export Sales. Rather, for a period of one (1) year from date of original installation not to exceed Fifteen (15) months from date of shipment from factory, TRAULSEN: will, at Traulsen's sole discretion, replace or repair, F.O.B. factory, any defective parts normally subject to warranty and will not cover the cost of packing, freight or labor, such costs being the sole responsibility of the dealer.

THERE ARE NO ORAL, STATUTORY OR IMPLIED WARRANTIES APPLICABLE TO TRAULSEN, INCLUDING BUT NOT LIMITED TO, ANY IMPLIED WARRANTY OF MERCHANTABILITY OR FITNESS FOR ANY PARTICULAR PURPOSE WHICH EXTEND BEYOND THE DESCRIPTION ON THE FACE HEREOF. TRAULSEN SHALL HAVE NO OBLIGATION OR LIABILITY FOR CONSEQUENTIAL OR SPECIAL DAMAGES, INCLUDING, BUT NOT LIMITED TO, INDIRECT, PUNITIVE DAMAGES, LOSS OF USE, LOSS OF PRODUCT, DOWN TIME OR LOST PROFITS, GROWING OUT OF OR WITH RESPECT TO THE EQUIPMENT OR ITS SALE, OPERATION OR USE, AND TRAULSEN NEITHER ASSUMES NOR AUTHORIZES ANYONE ELSE TO ASSUME FOR IT ANY OBLIGATION OR LIABILITY IN CONNECTION WITH THE EQUIPMENT OR ITS SALE, OPERATION OR USE OTHER THAN AS STATED HEREIN.

THIS WARRANTY IS IN LIEU OF ALL OTHER WARRANTIES EITHER EXPRESSED OR IMPLIED AND CONSTITUTES TRAULSEN'S FULL OBLIGATION AND LIABILITY. WARRANTIES NOT AVAILABLE ON REMOTE MODELS.

X. SERVICE PARTS LIST

ITEM	DESCRIPTION	PART NUMBER
CASTER	ALL MODELS	
	6" ADJUSTABLE CASTER NO LOCK	SER-60538-00
	6" ADJUSTABLE CASTER WITH LOCK	SER-60538-01
	4" ADJUSTABLE CASTER NO LOCK	SER-60536-00
	4" ADJUSTABLE CASTER WITH LOCK	SER-60536-01
LEG	ALL MODELS	
	6" LEG	SER-60542-00
DOOR	MODELS RMC34	
	TOP DOOR ASSEMBLY	200-60899-02
	FRONT DOOR ASSEMBLY	200-60899-03
	MODELS RMC49	
	TOP DOOR ASSEMBLY	200-60899-00
	FRONT DOOR ASSEMBLY	200-60899-01
	MODELS RMC58	
	TOP DOOR ASSEMBLY	200-60899-04
	FRONT DOOR ASSEMBLY	200-60899-05
	GASKET TOP DOOR RMC34	341-60267-00
	GASKET TOP DOOR RMC49	341-60267-01
	GASKET TOP DOOR RMC58	341-60267-02
	GASKET FRONT DOOR RMC34	341-60262-00
	GASKET FRONT DOOR RMC49	341-60262-01
	GASKET FRONT DOOR RMC58	341-60262-02
	GASKET SYSTEM RMC34	341-60268-00
	GASKET SYSTEM RMC49	341-60268-01
	GASKET SYSTEM RMC58	341-60268-02
	DOOR CATCH	3801100
	BUMPER	358-60247-00
	DOOR SLIDE LH	560-10280-00
	DOOR SLIDE RH	560-10280-01
	PIN FRONT DOOR	SER-60620-00
	HINGE	409-130-056-200
FLOOR RACKS	ALL MODELS	
	FLOOR RACK 14-3/4"	701-61633-00
	MODELS RMC58	
	FLOOR RACK 8-3/4"	701-61634-00
AIR DUCT	MODELS RMC34	
	AIR DUCT ASSEMBLY	600-70050-00
	MODELS RMC49 & RMC58	
	AIR DUCT ASSEMBLY	600-70050-01
DRAIN	ALL MODELS	
	STOPPER 1"	358-10077-00

X. SERVICE PARTS LIST (continued)

ITEM	DESCRIPTION	PART NUMBER
REF SYSTEM	MODELS RMC34S	
	REPLACEMENT REFRIGERATION SYSTEM SINGLE ACCESS	SER-60617-00
	MODELS RMC34D	
	REPLACEMENT REFRIGERATION SYSTEM DUAL ACCESS	SER-60617-01
	MODELS RMC49S	
	REPLACEMENT REFRIGERATION SYSTEM SINGLE ACCESS	SER-60618-00
	MODELS RMC49D	
	REPLACEMENT REFRIGERATION SYSTEM DUAL ACCESS	SER-60618-01
	MODELS RMC58S	
	REPLACEMENT REFRIGERATION SYSTEM SINGLE ACCESS	SER-60619-00
	MODELS RMC58D	
	REPLACEMENT REFRIGERATION SYSTEM DUAL ACCESS	SER-60619-01
CONTROL	ALL MODELS	
	MICROPROCESSOR CONTROL	337-60445-00
	MICROPROCESSOR COIL TEMPERATURE SENSOR	337-60447-00
	MICROPROCESSOR CABINET TEMPERATURE SENSOR	337-60448-00
	THERMOMETER DIAL	344-60249-00

NOTE: Part numbers listed are for standard products as currently manufactured. For products manufactured as other than standard, please contact the factory.

HOURS OF OPERATION:
Monday thru Friday 7:30 am - 4:30 pm CST



Quality Refrigeration

Traulsen
4401 Blue Mound Road Fort Worth, TX 76106
Phone 800.825.8220 Fax 817.740.6757
traulsen.com