

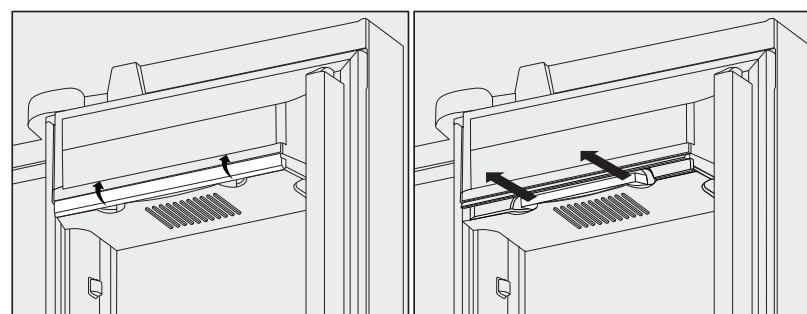
## Air filter

The air filter is located under the utility bin.

### REPLACING YOUR AIR FILTER

To ensure optimal filtering of refrigerator odors, you should change the air filter every six (6) months (the filter status light on the Touch Panel prompts you to replace the filter after six (6) months).

- 1 Open the air filter door.
- 2 Remove the old filter and discard it.
- 3 Unpack the new filter and slide it into the housing.
- 4 To close the air filter door, push the top and bottom to lock the door closed.
- 5 Press and hold the **Air Filter Reset** button on the control panel for three (3) seconds. When the display changes from "Replace" to "Good," the status has been reset.
- 6 The **Air Filter Reset** will turn itself off after a few seconds.



## Ordering replacement filters

Order new filters by calling 888-845-4641, online at [www.vikingrange.com](http://www.vikingrange.com) in the US or [brigade.ca](http://brigade.ca) in Canada, or through the dealer where you bought your refrigerator. You may want to consider ordering extra filters when you first install your refrigerator.

Water Filter Replacement Cartridge #RWFVRF

Air Filter Replacement cartridge, part #RAFVRF

This guide is not intended to replace your user's manual. Refer to the **Use & Care Guide** for complete instructions. If you have a Viking Range, LLC appliance visit our website at [www.vikingrange.com](http://www.vikingrange.com) in the US or [brigade.ca](http://brigade.ca) in Canada.

Viking Range, LLC  
111 Front Street  
Greenwood, Mississippi 38930

F21459A EN

(061515)

## Ice maker operation & care

After the refrigerator is installed properly and has cooled for several hours, the ice maker can produce ice within 24 hours. It can completely fill an ice bin in about three (3) days.

The ice maker produces approximately four (4) pounds of ice every 24 hours depending on usage conditions.

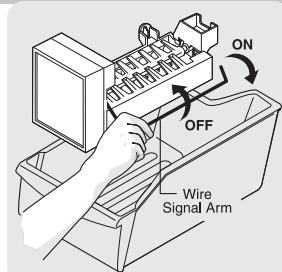
When using the ice maker for the first time and in order for the ice maker to work properly, it is necessary to clear air from water filter tubing. Once ice maker begins making ice, allow the bucket to fill completely, then discard the first TWO (2) FULL buckets of ice. It will take at least two (2) days to completely fill the bucket on regular ice making mode or 1 1/2 days on fast ice mode.

### IMPORTANT

Your ice maker is turned on at the factory so it can work as soon as you install your refrigerator. If you cannot connect a water supply, lift the ice maker's wire signal arm to turn it off. Otherwise, the ice maker's fill valve may make a loud chattering noise when it attempts to operate without water.

### TURNING THE ICE MAKER ON AND OFF

Ice production is controlled by lifting/lowering the ice maker's **wire signal arm**. To gain access to the ice maker, pull the freezer drawer out. Lift the wire signal arm to turn the ice maker OFF and lower the wire signal arm to turn it ON.



## Water filter

The water filter is located at the lower left side of the fresh food compartment.

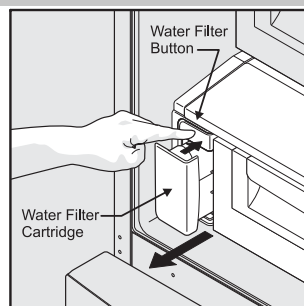
### REPLACING YOUR WATER FILTER

In general, you should change the water filter every six (6) months to ensure the highest possible water quality. The **Water Filter Status** light on the Touch Panel prompts you to replace the filter after the 6 month time period has elapsed. The water filter status light on this model is not performance tested or certified by NSF.

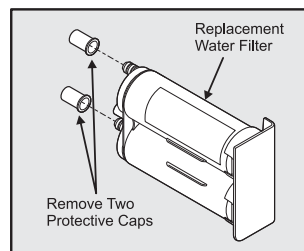
If your refrigerator has not been used for a period of time (during moving for example), change the filter before reinstalling the refrigerator.

It is not necessary to turn the water supply off to change the filter. Be ready to wipe up any small amounts of water released during the filter replacement.

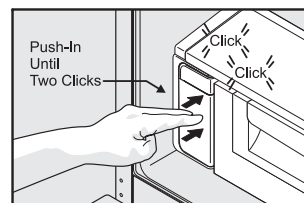
- 1 Push the filter release button above the cartridge to disconnect it.
- 2 Slide the old water filter cartridge straight out of the housing and discard it.
- 3 Unpack the new filter cartridge and remove the two (2) protective caps covering the inlet and exit of the filter. Slide the filter gently into the housing until it stops against the snap-in connector at the back of the housing.
- 4 Push firmly until the cartridge snaps into place (you should hear two clicks). When fully engaged, the front of the filter cartridge should be flush with the filter release button.
- 5 Press and hold the **Filter Status** button on the control panel for three (3) seconds. When the display changes from "Replace" to "Good," the status has been reset.
- 6 Once ice maker begins making ice, then discard the first TWO (2) FULL buckets of ice.



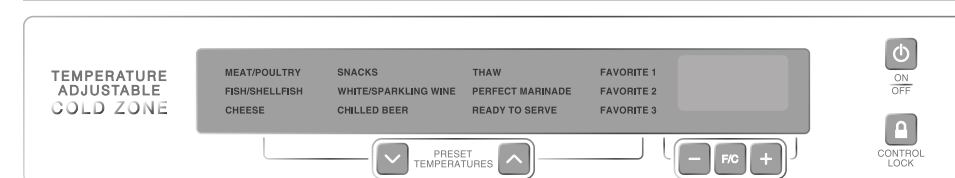
Push Water Filter Button



Reinstall Water Filter



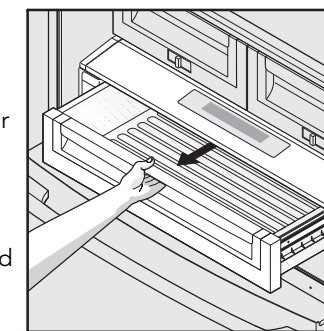
## Temperature Adjustable Cold Zone



The Cold Zone drawer is designed to keep food items at a precise temperature whether cooler, warmer, or the same as the fresh food section of the refrigerator. The thaw setting holds a temperature for thawing frozen foods for 12 hours. At the end of that time, it then switches to the snacks setting to store the thawed food.

### To operate:

- 1 To turn on and off, press the drawer's On/Off button. The numeric display will show a temperature between "28°F and 38°F" when on and "OFF" when off.
- 2 Press F/C if you prefer to display Fahrenheit "F," or Celsius "C".
- 3 Press either the up ^ or down v scroll buttons to illuminate the desired item.
- 4 Once an option is selected, the drawer will adjust and maintain the temperature for the setting selected.
- 5 When turned off, the Cold Zone drawer functions as a standard meat pan. The Cold Zone drawer is best used for packaged food products. Leafy vegetables and unpackaged fruits are best kept in one of the crisper drawers.
- 6 The three favorite selections provide flexibility to set and store personal temperature selections. The temperature is adjusted up by pressing the + or - buttons. The drawer will store the selected temperature setting until it is changed.
- 7 The control buttons can be locked to prevent accidental changes by pressing the **control lock** button for three (3)seconds. Deactivate by pressing for three (3) seconds again.



Opening the Drawer

### IMPORTANT

DO NOT clean the display area of the Temperature Adjustable Cold Zone Drawer with abrasive or caustic cleaners. Wipe clean with a moist sponge.

### CAUTION

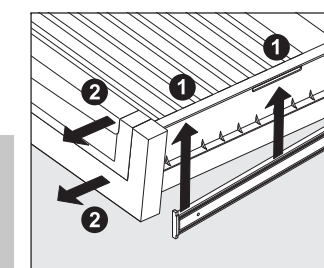
The Temperature Adjustable Cold Zone drawer and cover can be removed for cleaning but the control unit, attached to the right side of the fridge, cannot be removed. Do not immerse the drawer cover in water or put it in a dishwasher. Clean with a damp cloth or sponge.

To remove the Temperature Adjustable Cold Zone Drawer for cleaning:

- 1 Pull the drawer out until it stops.
- 2 Lift the front slightly and remove the drawer.

### NOTE

When the refrigerator is turned off by pressing the main TruTouch on/off button, the Temperature Adjustable Cold Zone drawer will also be turned off. When the refrigerator is turned back on, the Cold Zone Drawer will resume operations at the temp setting that was set before the refrigerator was turned off.



Removing the Drawer

## Quick Reference

### French Door Bottom Freezer/ Refrigerator

We appreciate your choice of our refrigerator and hope that you will again select our products for your other major appliance needs.

## TruTouch Control



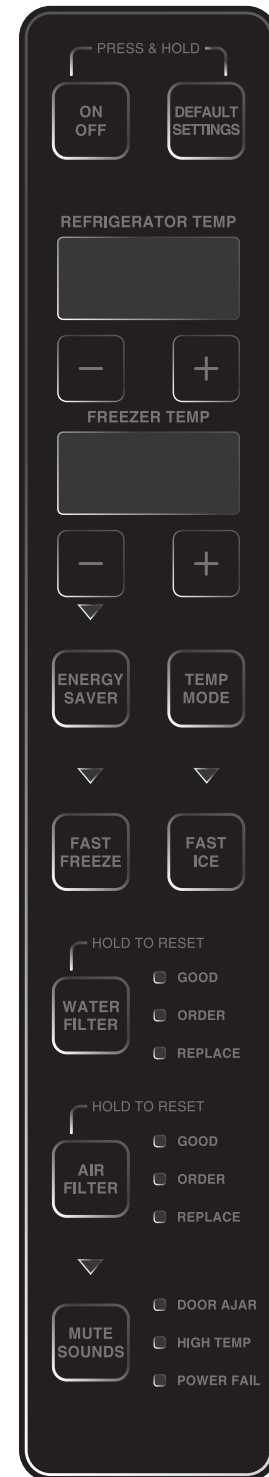
An indicator light will be illuminated above most active features. Touch the icon to activate the options below.

- fast freeze Activates a faster rate for freezing food.
- fast ice Increases the production of ice.
- energy saver Keep this switch set on energy saver (light on) for lowest energy usage. If moisture appears on the cabinet between the doors, pressing this button will turn the light off and enable an electric heater used to reduce moisture on the cabinet between the doors.
- water filter filter change. Press and hold for three seconds to reset after filter change.
- air filter Filter condition status is always displayed when door is open. Press and hold for three seconds to reset after filter change.
- temp mode Touch to toggle display from Fahrenheit to Celsius.
- mute sounds Tones emitted by each key press can be turned off based on user preference. The sounds are muted when the red indicator is lit. Warning signals will stay active.
- default settings Resets all refrigerator settings such as temp, temp display and tones to their factory default settings.
- on off Press and hold for three seconds to turn off the cooling system to clean the refrigerator. It also turns off the ice maker. The temperature displays will read OFF.

### IMPORTANT

Pressing the **power on/off** icon does not turn off power to your refrigerator. You must unplug the power cord from the wall outlet.

## TruTouch Control (continued)



### Setting cooling temperatures

Press the + or - indicator to adjust the temperature to the desired setting. The temperature display will begin to blink with the first touch. The display will time out after 10 seconds and return to the basic display.

### Alarms

#### Door Ajar

If the door has been left open for an extended period of time, an alarm will sound and the door ajar indicator will display on the bottom display of the control panel. The alarm is turned off by closing the door. The mute sounds key will blink to prompt the reset of any active alarms. Press this key to reset any system alarms.

#### High Temp

In the event of a high temperature condition, the temperature display will blink and display "HI". After 20 minutes, the alarm will sound and the high temp indicator will be red on the bottom of the control panel. The mute sounds icon will illuminate until pressed, acknowledging the alarm, at which time the highest temperature reached will be displayed and the refrigerator will resume normal operation. In case the high temp alarm is not acknowledged at the first alarm sound time out, when the door is first opened, the alarm sound will be repeated.

#### Power Fail

In the event of a power failure, the power fail alert will be displayed and the temperature display will blink until the mute sounds icon is pressed, acknowledging the alarm. Other modes may be turned off until the alarm is acknowledged. The power fail alert is turned off and the refrigerator will resume normal operation. The high temp alarm may also be illuminated until a safe operating range temperature has been reached.

## TruTouch Control Sabbath Mode

The Sabbath Mode is a feature that disables portions of the refrigerator and its controls for the TruTouch Control, in accordance with observance of the weekly Sabbath and religious holidays within the Orthodox Jewish community.

Sabbath Mode is turned ON and OFF by pressing and holding the freezer temp " - " and the refrigerator temp " + " indicators for five (5) seconds. The display shows "Sb" while in Sabbath mode.

In the Sabbath Mode, the High Temp alarm is active for health reasons. If a high temperature alarm is activated during this time, for example due to a door left ajar, the alarm will sound intermittently for about 10 minutes. The alarm will then silence on its own and a red high temperature icon will display. The high temp icon will continue to display, even if the door is closed, until the Sabbath mode is exited and the icon reset. The refrigerator will function normally once the door is closed, without any violation of the Sabbath/Holidays.

For further assistance, guidelines for proper usage and a complete list of models with the Sabbath feature, please visit the web at <http://www.star-k.org>.

### NOTE

While in Sabbath Mode, neither the lights nor the control panel will work until Sabbath Mode is deactivated.

Refrigerator stays in Sabbath Mode after power failure recovery. It must be deactivated with the buttons on the control panel.

### NOTE

During Sabbath Mode, the ice maker is turned off by main control board.

### Sabbath Mode and the Temperature Adjustable Cold Zone Drawer

The Temperature Adjustable Cold Zone Drawer should be turned off for the Sabbath/Holidays. Before putting the refrigerator into the Sabbath mode, turn the Cold Zone drawer off by pressing the drawer on/off button. The display will show "OFF" and the drawer will turn off. Then enter the Sabbath mode function on the main refrigerator display. See the TruTouch Control Sabbath Mode section. When in Sabbath mode, the display will not illuminate and the drawer will remain off. The drawer can still be used as a non-temp controlled drawer in this mode. When the refrigerator is taken out of Sabbath mode, the Temperature Adjustable Cold Zone Drawer will have to be turned back on.

### NOTE

If the Temperature Adjustable Cold Zone drawer is not turned off prior to putting the unit into Sabbath Mode, it will continue to adjust itself to maintain the set point even if the display does not illuminate to show that it is still on.

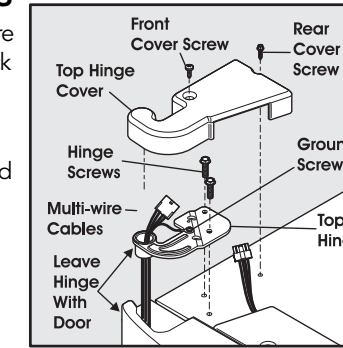
## Removing the Doors

### Getting through narrow spaces

If your refrigerator will not fit through an entrance area, before installing the door handles, you can remove the doors. Check first by measuring the entrance.

To prepare for removing the doors:

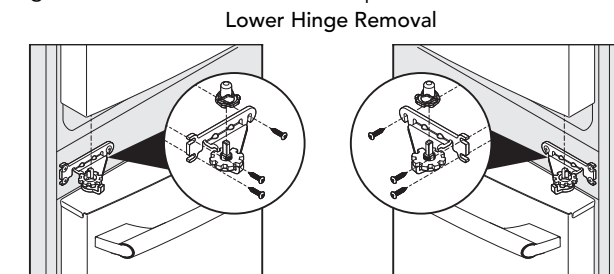
- 1 Make sure the electrical power cord is unplugged from the wall outlet.
- 2 Open the freezer drawer and remove the toe grille (see "Installation" section).
- 3 Remove any food from the door shelves and close the doors.



To remove the refrigerator doors:

- 1 Trace lightly around the door's top hinges with a pencil. This makes reinstallation easier.
- 2 Disconnect the harness by grasping both sides of the connector firmly, depress the latch, and pull apart. Remove the two (2) screws from the top hinge. Lift the door off of the bottom hinge and set it aside.
- 3 Unscrew the three (3) lower hinge screws and hinge if necessary.

To reinstall the right door, reverse the above steps.



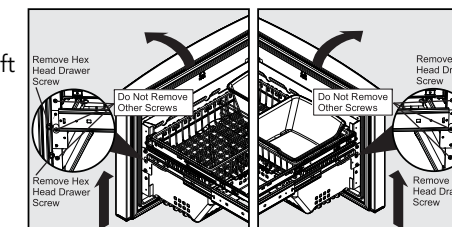
Once both doors are in place, ensure they are aligned with each other and level (please see the "Installation" section for more details), and replace the top hinge cover.

### CAUTION

Be sure doors are set aside in a secure position where they cannot fall and cause personal injury, or damage to the doors or handles.

Removing Freezer Drawer

- 1 Open freezer drawer.
- 2 Remove drawer screws on right and left sides (two (2) screws on each side).
- 3 Lift drawer up and out to remove.



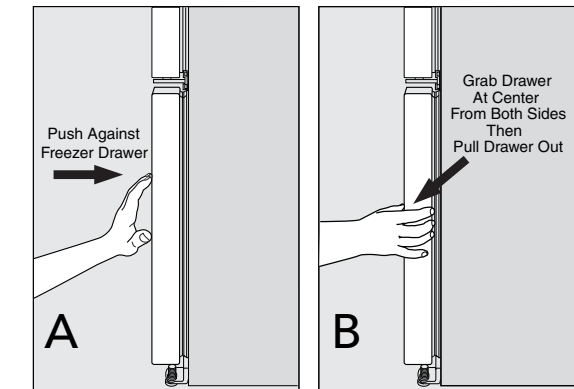
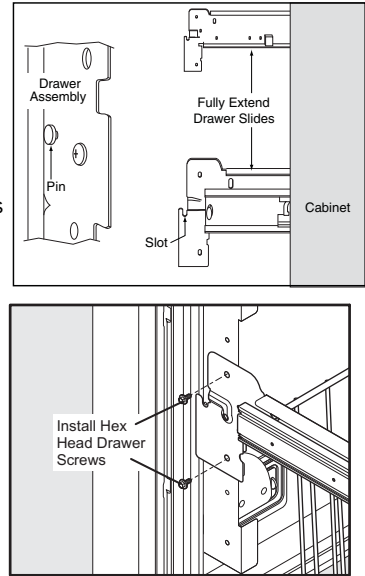
### CAUTION

Drawer is heavy. Use caution when lifting.

## Removing the Doors (continued)

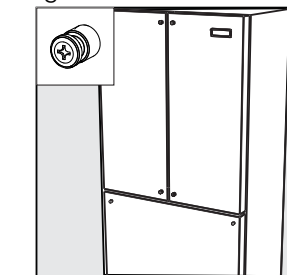
Installing Freezer Drawer

- 1 With lower slides pulled out, hang drawer onto slide brackets ensuring pins on each side are fully inserted into slots on each side.
- 2 Reinstall four (4) drawer screws (two (2) per side), tighten down, and close drawer (C).
- 3 Check gasket seal around top, bottom, and sides of freezer drawer.
- 4 If gasket is not sealed, open drawer and slightly loosen four (4) drawer screws (two (2) on each side) to allow drawer to rotate.
- 5 Close drawer and recheck the seal on the gasket (A). Open the drawer grabbing by the sides in the center (B). Be careful not to rotate the drawer.
- 6 Tighten four (4) drawer screws.
- 7 Recheck gasket seal.
- 8 Install the toe grille by fitting into place.

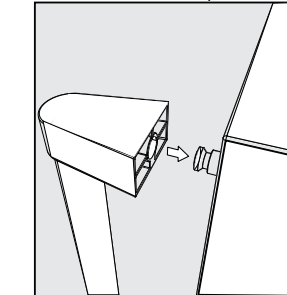


## Installing the Door Handles

- 1 There are 6 handle studs on the refrigerator.
- 3 Tighten the set screw. There are 2 set screws per handle assembly.



- 2 Slide handle endcaps over door stud.



- 4 Repeat with all 3 handle assemblies.

