



## **IAP-W520+/522+ Series**

**IEEE 802.11 a/n Access**

# **User Manual**

**Version 1.0**

**November, 2014**

[www.oring-networking.com](http://www.oring-networking.com)

## **COPYRIGHT NOTICE**

Copyright © 2014 ORing Industrial Networking Corp.

All rights reserved.

No part of this publication may be reproduced in any form without the prior written consent of ORing Industrial Networking Corp.

## **TRADEMARKS**

**ORing** is a registered trademark of ORing Industrial Networking Corp.

All other trademarks belong to their respective owners.

## **REGULATORY COMPLIANCE STATEMENT**

Product(s) associated with this publication complies/comply with all applicable regulations.

Please refer to the Technical Specifications section for more details.

## **WARRANTY**

ORing warrants that all ORing products are free from defects in material and workmanship for a specified warranty period from the invoice date (5 years for most products). ORing will repair or replace products found by ORing to be defective within this warranty period, with shipment expenses apportioned by ORing and the distributor. This warranty does not cover product modifications or repairs done by persons other than ORing-approved personnel, and this warranty does not apply to ORing products that are misused, abused, improperly installed, or damaged by accidents.

Please refer to the Technical Specifications section for the actual warranty period(s) of the product(s) associated with this publication.

## **DISCLAIMER**

Information in this publication is intended to be accurate. ORing shall not be responsible for its use or infringements on third-parties as a result of its use. There may occasionally be unintentional errors on this publication. ORing reserves the right to revise the contents of this publication without notice.

## **CONTACT INFORMATION**

### **ORing Industrial Networking Corp.**

3F., No.542-2, Zhongzheng Rd., Xindian Dist., New Taipei City 23148, Taiwan (R.O.C.)

Tel: +886-2-2218-1066 // Fax: +886-2-2218-1014

Website: [www.oring-networking.com](http://www.oring-networking.com)

### **Technical Support**

E-mail: [support@oring-networking.com](mailto:support@oring-networking.com)

### **Sales Contact**

E-mail: [sales@oring-networking.com](mailto:sales@oring-networking.com) (Headquarters)

[sales@oring-networking.com.cn](mailto:sales@oring-networking.com.cn) (China)

## Table of Content

<b>Getting Started .....</b>	<b>4</b>
1.1 About the IAP-W520+/522+ Series .....	4
1.2 Software Features .....	4
1.3 Hardware Features .....	4
<b>Hardware Overview .....</b>	<b>6</b>
2.1 Front Panel .....	6
2.1.1 Ports and Connectors .....	6
2.1.2 Front Panel LEDs .....	6
2.2 Rear Panel .....	7
<b>Hardware Installation.....</b>	<b>8</b>
3.1 Wall Mounting.....	8
3.2 Pole Mounting.....	10
3.3 Wiring.....	10
3.3.1 Power Supply .....	10
3.3.2 Reset .....	11
<b>Cables and Antenna.....</b>	<b>12</b>
4.1 Ethernet Pin Definition.....	12
4.2 Wireless Antenna.....	12
<b>Management .....</b>	<b>13</b>
5.1 Network Connection .....	13
5.2 Web Browser Management.....	13
5.3 Status.....	14
5.3.1 Overview .....	14
5.3.2 System Log.....	14
5.3.3 Realtime Graphs .....	15
Load.....	15
Traffic .....	15
Wireless .....	16
Connections.....	16
5.4 System.....	17
5.4.1 System Properties .....	17
General Setting.....	17

Logging.....	17
Time Synchronization.....	18
5.4.2 Administration.....	18
Router Password.....	18
5.4.3 Time Synchronization.....	18
5.4.4 Backup/Flash Firmware.....	19
Backup / Restore / Rest to default.....	19
5.4.5 Reboot.....	20
Flash new Firmware.....	20
5.5 Network.....	21
5.5.1 Interfaces.....	21
Interface – LAN.....	22
5.5.2 Wifi.....	26
Associated Stations List.....	34
5.5.3 Diagnostics.....	34
Network Utilities.....	34
<b>Technical Specifications.....</b>	<b>36</b>
<b>Compliance.....</b>	<b>38</b>

# Getting Started

## 1.1 About the IAP-W520+/522+ Series

The IAP-W520+/W522+ is a reliable IP-67 outdoor IEEE 802.11 a/n WLAN access point with two 10/100Base T(X) Ethernet ports. It can be configured to operate in AP/AP-Client/Client modes and is specifically designed for the toughest industrial environments. With the combination of an IP-67 design and superb management functionality, the series provides a waterproof, dust-tight connection. In addition, IAP-W520+ provides a high power output of 500mw and throughput up to 80Mbps to satisfy long distance connections. The IAP-W522+ provides two N-type connectors for any N-type antennas to extend communication distances. You can configure the device by Web interface via the LAN port or by WLAN interface. In addition, the series provides a P.D. port which is fully compliant with IEEE802.3af PoE standard to save the layout cost of power line. The series can be easily adopted in almost all kinds of applications and provides the most rugged solutions for managing your network in outdoors.

## 1.2 Software Features

- High speed air connectivity with support up to 300Mbps
- Highly secure transmission with WEP/WPA/WPA-PSK(TKIP,AES)/WPA2/WPA2-PSK(TKIP,AES)/802.1X authentication supported
- High throughput over 80Mbps
- High power output of 500mw
- Long distance air connectivity up to 7 KM (IAP-W520+ only)
- Supports AP/AP-Client/Client modes
- Support MAC/IP Filter
- Wireless connecting status monitoring
- Secured management by HTTPS
- Event warning via Syslog, e-mail, SNMP traps

## 1.3 Hardware Features

- 2 x 10/100Base-T(X) Ethernet ports in RJ45 connector type
- Build-in 15dBi antenna (IAP-W520+ only)
- Support external N-Type antenna installation (IAP-W522+ only)
- IP-67 waterproof housing
- Operating temperature: -25 to 70°C
- Storage temperature: -40 to 85oC

- Operating humidity: 5% to 95%, non-condensing
- Dimensions: 162(W) x 101.5(D) x 58(H) mm (6.38x 4.0x 2.28 inch.) (IAP-W520+) /  
162(W) x 101.5(D) x 47.3(H) mm (6.38x 4.0x 1.86 inch.) (IAP-W522+)

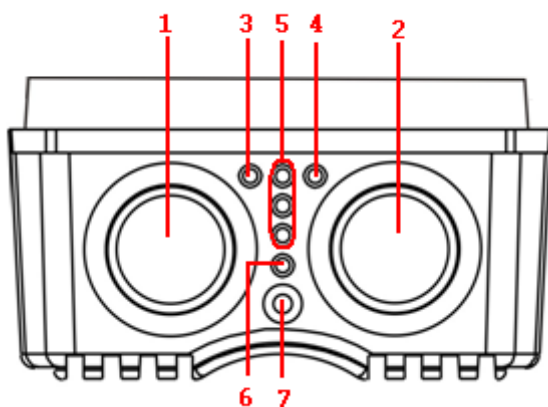
# Hardware Overview

## 2.1 Front Panel

### 2.1.1 Ports and Connectors

The devices are equipped with the following ports and features on the bottom panel.

Port	Description
<b>10/100Base-T(X) Ethernet port</b>	2 x 10/100Base-T(X) ports supporting auto-negotiation. One with PoE support.
<b>Reset button</b>	To restore the device configurations back to the factory defaults, press the Reset button for a few seconds. Once the power indicator starts to flash, release the button. The device will then reboot and return to factory defaults.

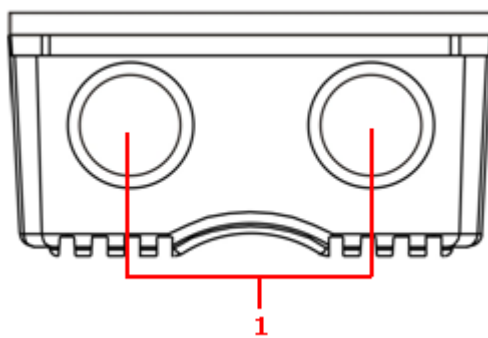


1. Non-PoE LAN port
2. PoE LAN port
3. LNK/ACT LED for non-PoE LAN port
4. LNK/ACT LED for PoE LAN port
5. WiFi connections (weakest signal strength at the bottom, strongest at the top)
6. Power indicator
7. Reset button

### 2.1.2 Front Panel LEDs

LED	Color	Status	Description
<b>PWR</b>	Green	On	PoE power is on and power supply in normal function
		Blinking	Transmitting data
<b>ETH</b>	Green	On	Port is linked
		Blinking	Transmitting data
<b>WLAN</b>	Green	On	WLAN activated (WLAN strength: 1<30%, 2<60%, 3<90%)
		Blinking	Transmitting data via WLAN

## 2.2 Rear Panel



IAP-522+

1. N-type antenna connectors



# Hardware Installation

The device can be fixed to a pole or the wall using the supplied mounting kits. Before installing the device, make sure you have all of the package contents available and a PC with Microsoft Internet Explorer 6.0 or later, for using web-based system management tools.



When installed outdoors, make sure the LAN ports are covered by RJ-45 rubber seals provided with the package.



Do not remove the water-proof casing, and avoid touching or moving the device when the antennas are transmitting or receiving.

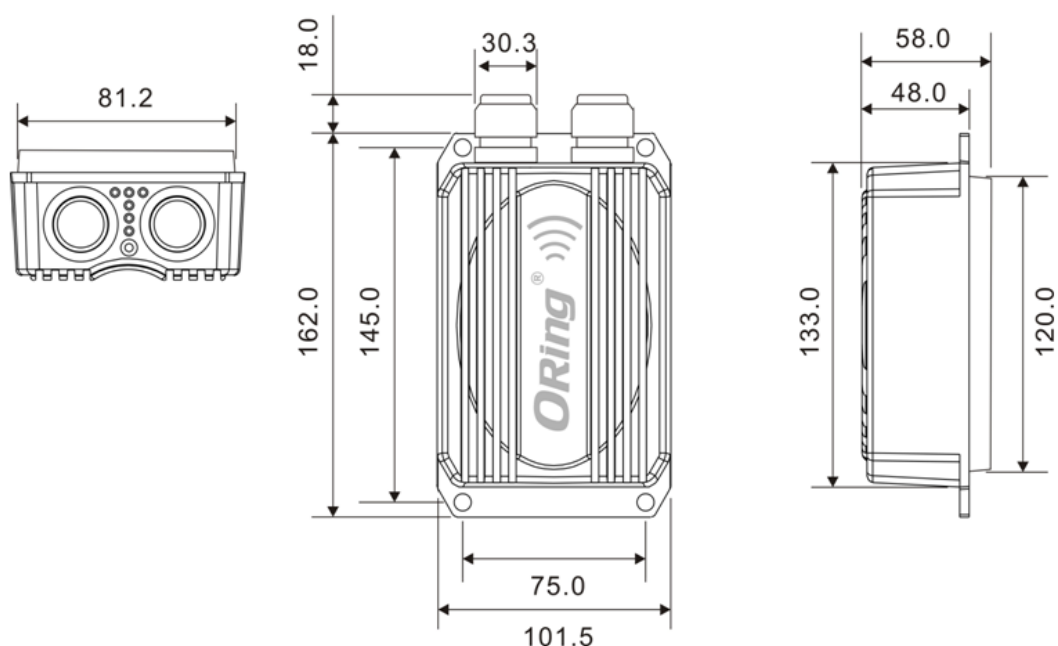


When installing the device, make sure to keep the radiating at a minimum distance of 20 cm (7.9 inches) from all persons to minimize the potential for human contact during normal operation.

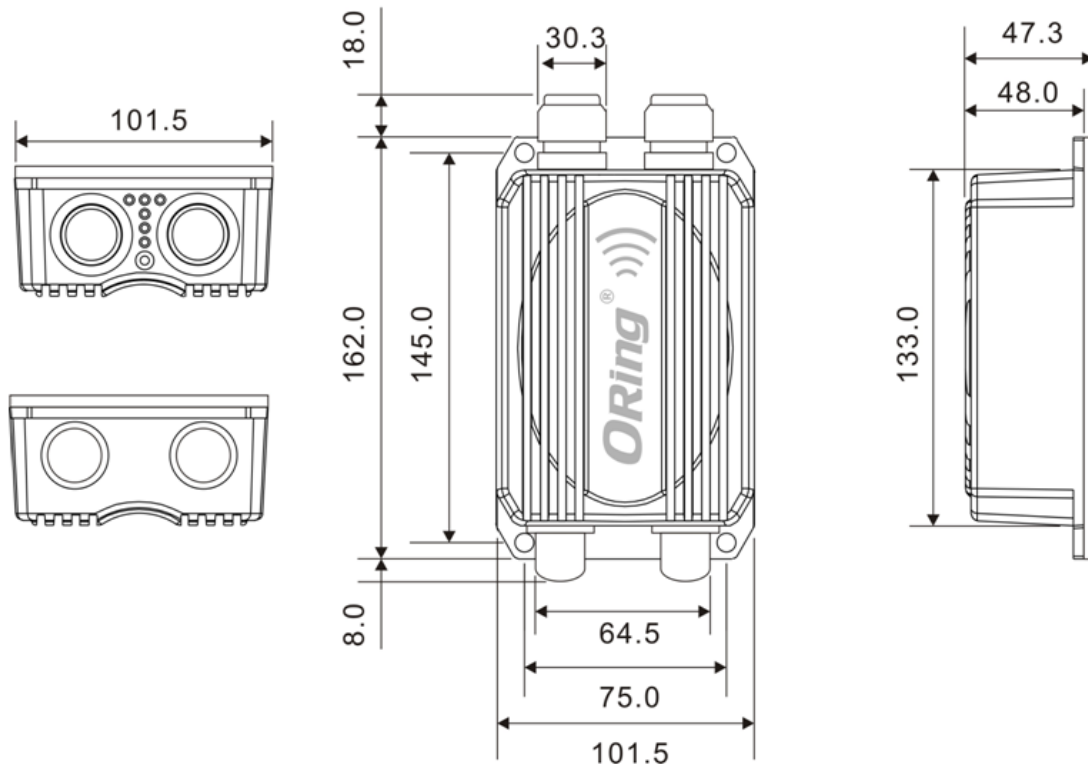


Do not operate the device near unshielded blasting caps or in an otherwise explosive environment unless the device has been modified for such use by qualified personnel.

## 3.1 Wall Mounting



IAP-W520+ Wall-mounting Measurements (Unit = mm)



**IAP-W522+ Wall-mounting Measurements (Unit = mm)**

To mount the device to the wall, simply insert a screw through the screw hole on the edge of the unit and tighten the screw for added stability.





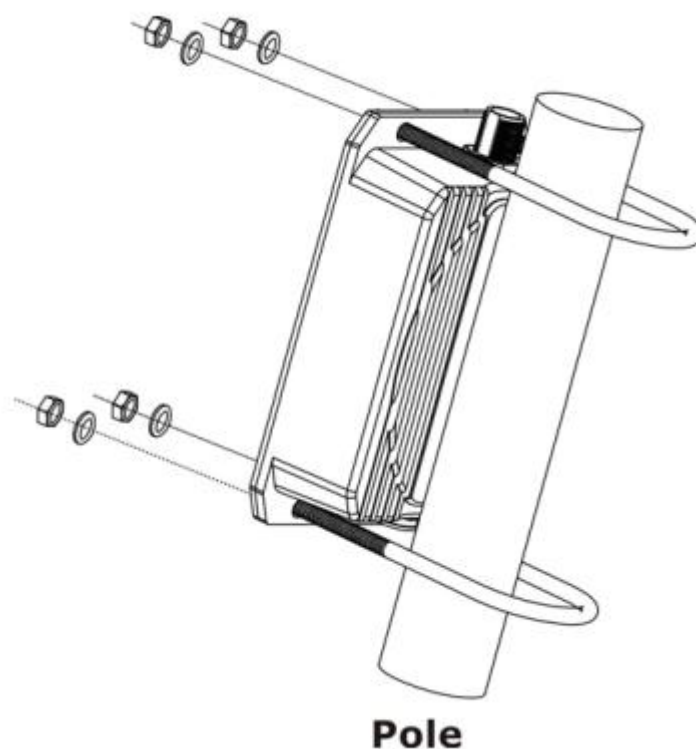
Instead of screwing the screws in all the way, it is advised to leave a space of about 2mm to allow room for sliding the device between the wall and the screws.

---

## 3.2 Pole Mounting

You can mount the device to a pole using adjustable steel band straps included in the package.

Thread the two supplied metal mounting straps through the screw holes on the edge of the unit and then put the straps around the pole, as shown below. Put the washers and nuts through the straps and tighten the strap.



## 3.3 Wiring

For pin assignments of the power connector, please refer to the following tables.

### 3.3.1 Power Supply

The device is powered by an Ethernet cable via the PoE port, which is on the right hand side. Make sure the PoE port is connected with an RJ-45 cable and check if the power LED lights up after connection.

### **3.3.2 Reset**

For protection, the reset button is placed in the case covered by a screw head. If you need to reset the device, remove the screw and use a very small point object like a needle or a toothpick to poke the reset button. To reboot the device, press the Reset button for 5 seconds. To restore the device configurations back to the factory defaults, press the Reset button for 5 seconds.

# Cables and Antenna

## 4.1 Ethernet Pin Definition

The device provides two 10/100Base-T(X) Ethernet ports in RJ45 connector type. According to the link type, the AP uses CAT 3, 4, 5, 5e, UTP cables to connect to any other network device (PCs, servers, switches, routers, or hubs). Please refer to the following table for cable specifications and pin assignments.

Cable	Type	Max. Length	Connector
10Base-T	Cat. 3, 4, 5 100-ohm	UTP 100 m (328 ft)	M12 or RJ45
100Base-T(X)	Cat. 5 100-ohm UTP	UTP 100 m (328 ft)	M12 or RJ45

10/100Base-T(X) RJ-45 Port Pin Assignments	
Pin Number	Assignment
1	TD+
2	TD-
3	RD+
4	N.C.
5	N.C.
6	RD-
7	N.C.
8	N.C.

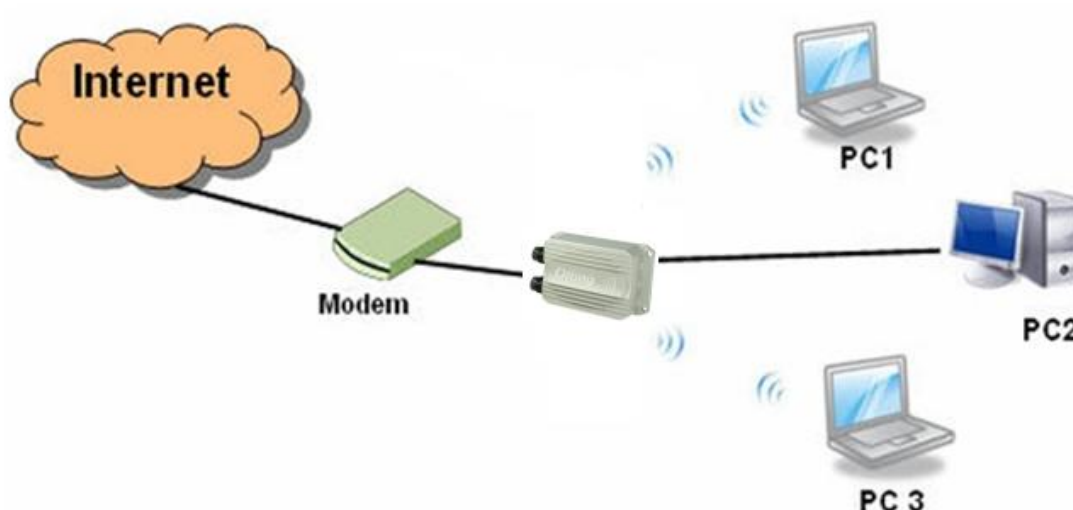
## 4.2 Wireless Antenna

The IAP-W522+ comes with two N-type WiFi antenna connectors. Attach the antenna to the connector by fastening the N-type male connector to the N-type female connector. Make sure both connectors are clean and dry.

# Management

## 5.1 Network Connection

Before installing the device, you need to be able to access the device via a computer equipped with an Ethernet card or wireless LAN interface. To simplify the connection, it is recommended to use an Ethernet card to connect to a LAN.



Follow the steps below to install and connect the device to PCs:

Connect a computer to the device. Use either a straight-through Ethernet cable or cross-over cable to connect the LAN port of the device to a computer. Once the LED of the LAN port lights up, which indicates the connection is established, the computer will initiate a DHCP request to retrieve an IP address from the AP.

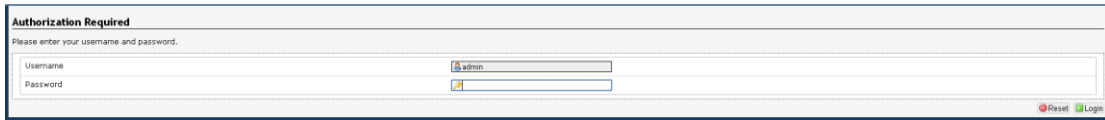
## 5.2 Web Browser Management

An embedded HTML web site resides in the flash memory of the device. It contains advanced management features which you can manage from anywhere on the network through a standard web browser such as Microsoft Internet Explorer (Internet Explorer 5.0 or later versions). It is based on Java Applets which can reduce network bandwidth consumption, enhance access speed, and provide user-friendly viewing windows.

**Note:** By default, IE5.0 or later version does not allow Java Applets to open sockets. You need to explicitly modify browser settings in order to enable Java Applets to use network ports.

Open a web browser on your computer and type <http://192.168.10.2> (default gateway IP of

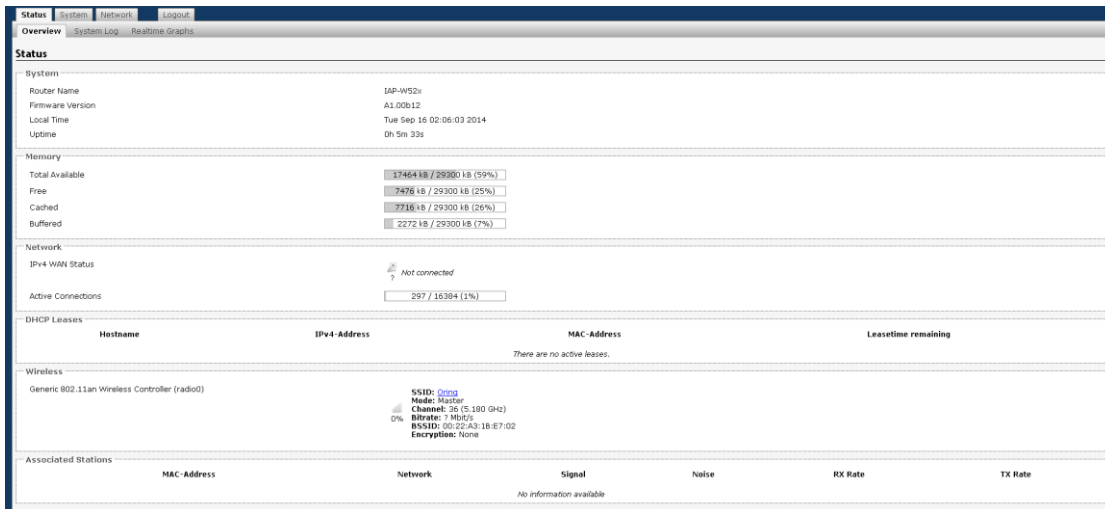
the device) in the address box to access the webpage. A login window will pop up where you can enter the default login name admin and password **admin**. For security reasons, we strongly recommend you to change the password. Click on **Administrator > Password** after logging in to change the password.



## 5.3 Status

### 5.3.1 Overview

The overview screen will appear with general information of the device, including information regarding the system, memory, network, DHCP leases, wireless, and associated stations.



### 5.3.2 System Log

The device will constantly log events and activities in System Log and provide the file for you to review. When you click on this tab, you can see the log of system messages.

```

System Log
-----
Sep 16 02:01:04 ORing IAP-W522+-DEEC syslog.info syslogd started: BusyBox v1.19.4
Sep 16 02:01:04 ORing IAP-W522+-DEEC kern.notice kernel: klogd started: BusyBox v1.19.4 (2014-11-04 09:56:15 CST)
Sep 16 02:01:04 ORing IAP-W522+-DEEC kern.notice kernel: [ 0.000000] Linux version 3.3.8 (risc@ORing-080) (gcc version 4.6.3 20110201 (pre-release) (Linaro GCC 4.6-2012.02) ) #1 Tue Nov 4 10:12:39 CST 2014
Sep 16 02:01:04 ORing IAP-W522+-DEEC kern.debug kernel: [ 0.000000] MLoader: sypm=ec76396, boardid=66035aa, parta=ecb29796
Sep 16 02:01:04 ORing IAP-W522+-DEEC kern.info kernel: [ 0.000000] bootconsole [ttyS0] enabled
Sep 16 02:01:04 ORing IAP-W522+-DEEC kern.info kernel: [ 0.000000] CPU revision is: 0001974c (MIPS 74Kc)
Sep 16 02:01:04 ORing IAP-W522+-DEEC kern.info kernel: [ 0.000000] Soc: Atheros AR9342 rev 2
Sep 16 02:01:04 ORing IAP-W522+-DEEC kern.info kernel: [ 0.000000] Clocks: CPU@50.000MHz, HB@450.000MHz, LHM@125.000MHz, Ref.40.000MHz
Sep 16 02:01:04 ORing IAP-W522+-DEEC kern.info kernel: [ 0.000000] Determined physical RAM map:
Sep 16 02:01:04 ORing IAP-W522+-DEEC kern.info kernel: [ 0.000000] memory: 0x00000000 @ 0x00000000 (usable)
Sep 16 02:01:04 ORing IAP-W522+-DEEC kern.info kernel: [ 0.000000] Initrd not found or empty - disabling initrd
Sep 16 02:01:04 ORing IAP-W522+-DEEC kern.warn kernel: [ 0.000000] Zone PFN ranges:
Sep 16 02:01:04 ORing IAP-W522+-DEEC kern.warn kernel: [ 0.000000] Normal: 0x00000000 -> 0x00002000
Sep 16 02:01:04 ORing IAP-W522+-DEEC kern.warn kernel: [ 0.000000] Movable zone start PFN for each node
Sep 16 02:01:04 ORing IAP-W522+-DEEC kern.warn kernel: [ 0.000000] Early memory PFN ranges:
Sep 16 02:01:04 ORing IAP-W522+-DEEC kern.warn kernel: [ 0.000000] 0: 0x00000000 -> 0x00002000
Sep 16 02:01:04 ORing IAP-W522+-DEEC kern.warn kernel: [ 0.000000] free area init node: node 0, pgdat 802dc2c0, node_mem_map 81000000
Sep 16 02:01:04 ORing IAP-W522+-DEEC kern.debug kernel: [ 0.000000] Normal zone: 64 pages used for memmap
Sep 16 02:01:04 ORing IAP-W522+-DEEC kern.debug kernel: [ 0.000000] Normal zone: 0 pages reserved
Sep 16 02:01:04 ORing IAP-W522+-DEEC kern.debug kernel: [ 0.000000] Normal zone: 8128 pages, LIFO batch:0
Sep 16 02:01:04 ORing IAP-W522+-DEEC kern.debug kernel: [ 0.000000] page-allocation: 40 40 432768 432768 alloc=1*32768
Sep 16 02:01:04 ORing IAP-W522+-DEEC kern.debug kernel: [ 0.000000] page-allocation: [0] 0
Sep 16 02:01:04 ORing IAP-W522+-DEEC kern.warn kernel: [ 0.000000] Built 1 zonelists in Zone order, mobility grouping on. Total pages: 8128
Sep 16 02:01:04 ORing IAP-W522+-DEEC kern.notice kernel: [ 0.000000] Kernel command line: boardID=1020 console=ttyS0,115200 mcpart=pp10.01256k(u-boot);co,64k(u-boot-ewv)co,635k(rootfs),1408k(kernel),64k(usrvm),64k(Dr7)
Sep 16 02:01:04 ORing IAP-W522+-DEEC kern.info kernel: [ 0.000000] PID hash table entries: 128 (order: -1, 512 bytes)
Sep 16 02:01:04 ORing IAP-W522+-DEEC kern.info kernel: [ 0.000000] Dentry cache hash table entries: 4096 (order: 2, 16384 bytes)
Sep 16 02:01:04 ORing IAP-W522+-DEEC kern.info kernel: [ 0.000000] Inode-cache hash table entries: 2048 (order: 1, 8192 bytes)
Sep 16 02:01:04 ORing IAP-W522+-DEEC kern.warn kernel: [ 0.000000] Primary instruction cache 64Kb, VIVT, 4-way, linesize 32 bytes
Sep 16 02:01:04 ORing IAP-W522+-DEEC kern.warn kernel: [ 0.000000] Primary data cache 32Kb, 4-way, VIVT, cache aliases, linesize 32 bytes
Sep 16 02:01:04 ORing IAP-W522+-DEEC kern.info kernel: [ 0.000000] Writing ErrCtl register=00000000
Sep 16 02:01:04 ORing IAP-W522+-DEEC kern.info kernel: [ 0.000000] Readback ErrCtl register=00000000
Sep 16 02:01:04 ORing IAP-W522+-DEEC kern.info kernel: [ 0.000000] Memory: 290920/32768k available (12138k kernel code, 3676k reserved, 404k data, 208k init, 0k highmem)
Sep 16 02:01:04 ORing IAP-W522+-DEEC kern.info kernel: [ 0.000000] SLUB: Genslabs=9, HWalign=32, Order=0-3, MinObjects=0, CPUs=1, Nodes=1
Sep 16 02:01:04 ORing IAP-W522+-DEEC kern.info kernel: [ 0.000000] NR_IRQS:16
Sep 16 02:01:04 ORing IAP-W522+-DEEC kern.info kernel: [ 0.000000] Calibrating delay loop... 178.93 BogoMIPS (lpj=1394680)
Sep 16 02:01:04 ORing IAP-W522+-DEEC kern.info kernel: [ 0.070000] pid_max: default: 32768 minimum: 301
Sep 16 02:01:04 ORing IAP-W522+-DEEC kern.info kernel: [ 0.080000] Mount-cache hash table entries: 512
Sep 16 02:01:04 ORing IAP-W522+-DEEC kern.info kernel: [ 0.080000] NET: Registered protocol family 16
Sep 16 02:01:04 ORing IAP-W522+-DEEC kern.info kernel: [ 0.080000] gpiochip_add: registered OFI0n 0 to 23 on device: atb79
Sep 16 02:01:04 ORing IAP-W522+-DEEC kern.info kernel: [ 0.090000] MIPS: machine is Atheros AR9342 reference board
Sep 16 02:01:04 ORing IAP-W522+-DEEC kern.err kernel: [ 0.090000] ar71xx: invalid PHY interface mode for GE1
Sep 16 02:01:04 ORing IAP-W522+-DEEC kern.info kernel: [ 0.310000] bios: create s1ab -010-0- at 0
Sep 16 02:01:04 ORing IAP-W522+-DEEC kern.info kernel: [ 0.310000] Switching to clocksource MIPS
Sep 16 02:01:04 ORing IAP-W522+-DEEC kern.info kernel: [ 0.320000] NET: Registered protocol family 2
Sep 16 02:01:04 ORing IAP-W522+-DEEC kern.info kernel: [ 0.320000] IP cover cache hash table entries: 1024 (order: 0, 4096 bytes)
Sep 16 02:01:04 ORing IAP-W522+-DEEC kern.info kernel: [ 0.320000] TCP established hash table entries: 1024 (order: 1, 8192 bytes)
Sep 16 02:01:04 ORing IAP-W522+-DEEC kern.info kernel: [ 0.330000] TCP bind hash table entries: 1024 (order: 0, 4096 bytes)
Sep 16 02:01:04 ORing IAP-W522+-DEEC kern.info kernel: [ 0.330000] TCP: hash tables configured (established 1024 bind 1024)
Sep 16 02:01:04 ORing IAP-W522+-DEEC kern.info kernel: [ 0.340000] TCP reno registered
Sep 16 02:01:04 ORing IAP-W522+-DEEC kern.info kernel: [ 0.340000] UDP hash table entries: 256 (order: 0, 4096 bytes)
Sep 16 02:01:04 ORing IAP-W522+-DEEC kern.info kernel: [ 0.350000] UDP-Lite hash table entries: 256 (order: 0, 4096 bytes)

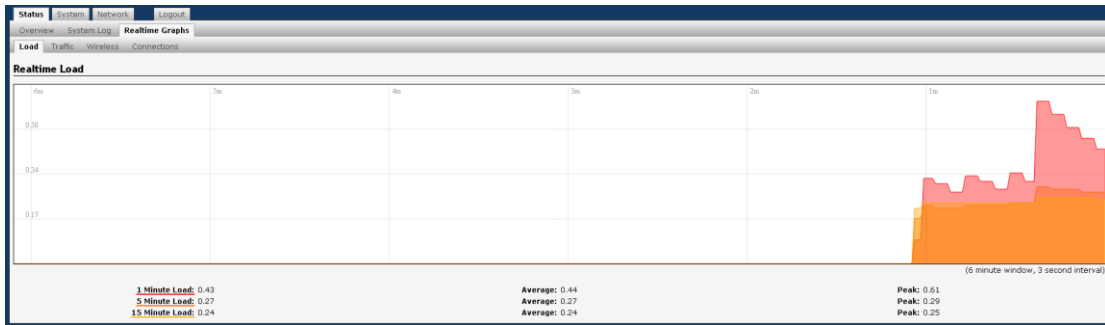
```

### 5.3.3 Realtime Graphs

Under the tab for Realtime Graphs, there are four tabs titled **Load**, **Traffic**, **Wireless**, and **Connection**.

#### Load

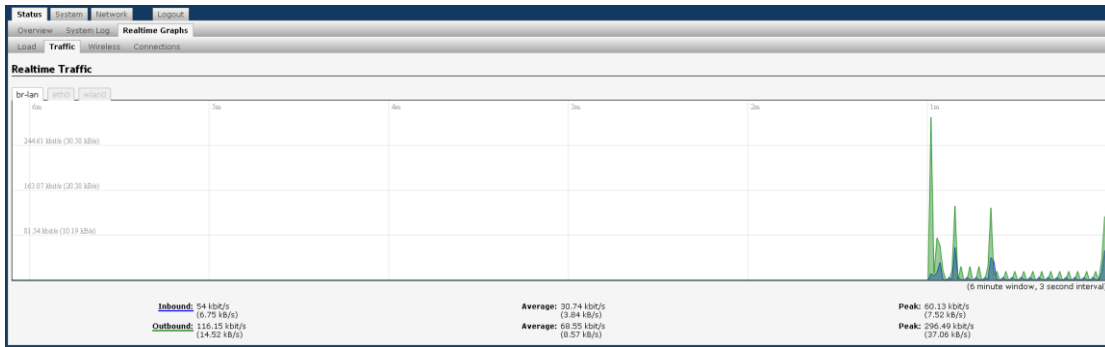
This tab will show the real-time CPU load of the device in chart which will be updated every few minutes.



#### Traffic

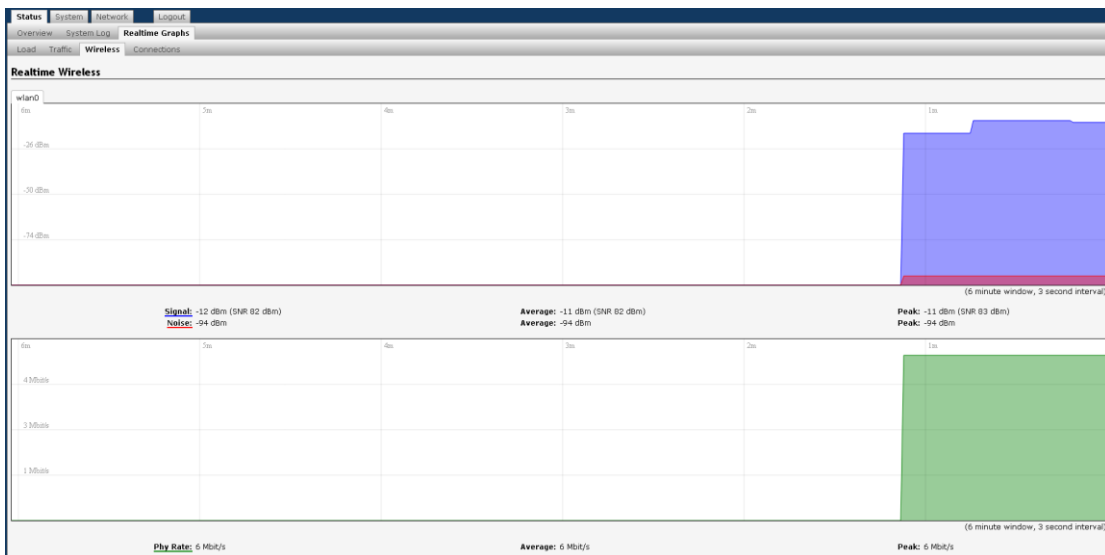
This tag shows network traffic in real time so that you can see how your bandwidth is being used. The incoming and outgoing traffic is represented on a line chart in different color, along with average and peak utilization.





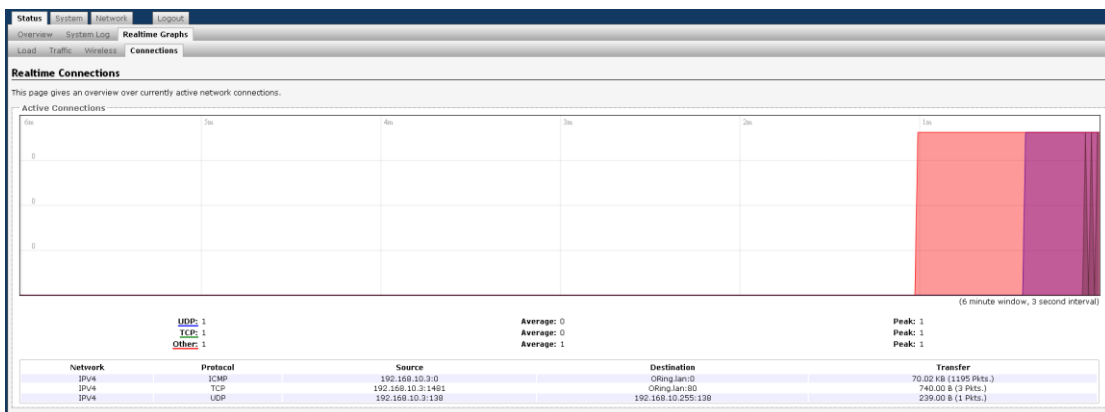
## Wireless

This tag will show the real-time status of wireless transmission in chart including wireless signal transmission and noises as well as the physical layer transmission rate.



## Connections

This tag will show the real-time status of existing network connections of the device, including UDP, TCP, and other connections.



## 5.4 System

This section is about the System top-level tab.

### 5.4.1 System Properties

#### General Setting

This tab allows you to do general settings for the device including the host name and the time zone where the device is located in. You can use the **local time** of the **browser** time zone by clicking **Sync with browser**.

Label	Description
<b>Local Time</b>	Displays the local time according to the Timezone.
<b>Hostname</b>	Input a name for the device to be its hostname.
<b>Timezone</b>	Choose a timezone for the device from the drop-down list.

#### Logging

Specifies parameters used for the system log, such as System log buffer size, External system log server, External system log server port, Log output level, and Cron Log Level.

Label	Description
<b>System log buffer size</b>	Specify a log buffer size in KB.
<b>External system log sever</b>	Input the IP address of the external system log server you want to use.
<b>Log output level</b>	The log output level controls the level of debug output that will be output. Choose a level from the drop-down list. Available options include <b>Debug, Info, Notice, Warning, Error, Critical, Alert, and Emergency</b> .
<b>Cron log level</b>	Select a value from the drop-down list. <b>Debug:</b> Verbose messages to aid in troubleshooting;

	<p>detailed messages, normal messages, warnings, and errors are logged.</p> <p><b>Normal:</b> Common administrative messages of the server, warnings, and errors are logged.</p> <p><b>Warning:</b> Problems that require attention and errors are logged.</p>
--	----------------------------------------------------------------------------------------------------------------------------------------------------------------------------------------------------------------------------------------------------------------

## Time Synchronization

The Network Time Protocol (NTP) synchronizes the clocks of computer systems across the Internet. A correct date and time will help the system log events. To synchronize the computer clock of the device with the clock of an NTP server, you need to configure the NTP settings.

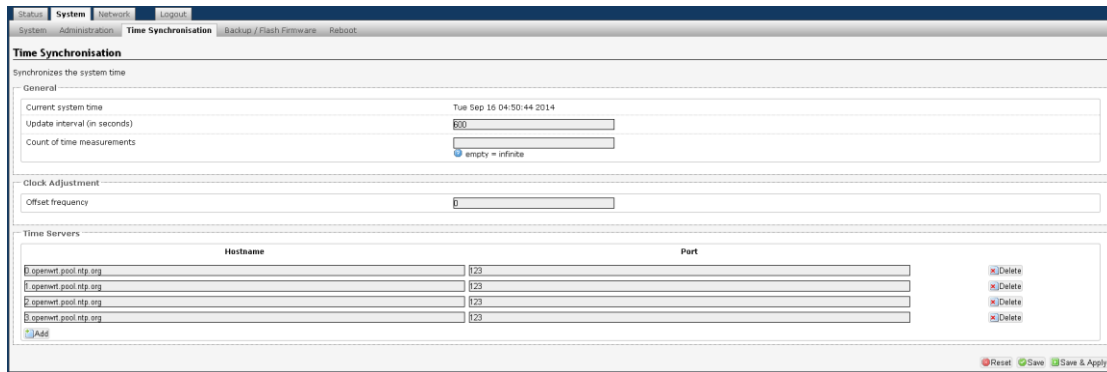
Label	Description
<b>Enable NTP client</b>	Obtains the date and time from specified Network Time Protocol (NTP) servers.
<b>Provide NTP server</b>	Check this box will turn the device into a local NTP server.
<b>NTP server candidates</b>	These are the sources of the time information. You can add new servers by clicking <b>add</b> button at the end of server hostname field.

### 5.4.2 Administration Router Password

This page allows you to set up a password for the device. You need to type in the password twice in the following fields.

### 5.4.3 Time Synchronization

This page enables you to configure system time update settings. You can set up update intervals and the time server you want to use.



**General**

Label	Description
<b>Current system time</b>	Shows the current time of the device
<b>Update intervals (in seconds)</b>	Specify an interval for time synchronization. The synchronization protocol will adjust the clock according to the specified interval.
<b>Count of time measurements</b>	Number of time measurements to perform before exiting. 0 means to never stop.

**Clock Adjustment**

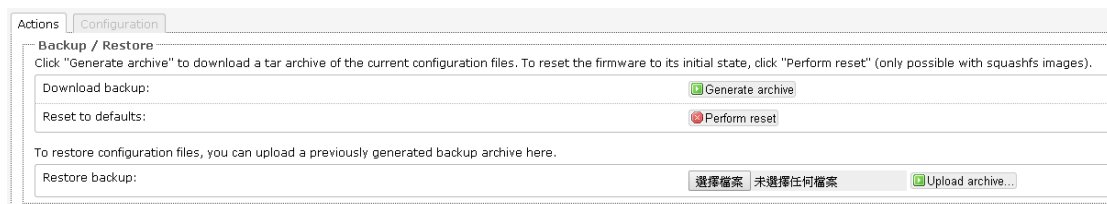
Label	Description
<b>Offset frequency</b>	Specify the desired local oscillator offset frequency as a double precision scalar. The default is 0 Hz.

**Time Servers**

Label	Description
<b>Hostname</b>	Enter the hostname of the time server you want to use.
<b>Port</b>	Enter the port of the time server you want to connect to.

**5.4.4 Backup/Flash Firmware  
Backup / Restore / Rest to default**

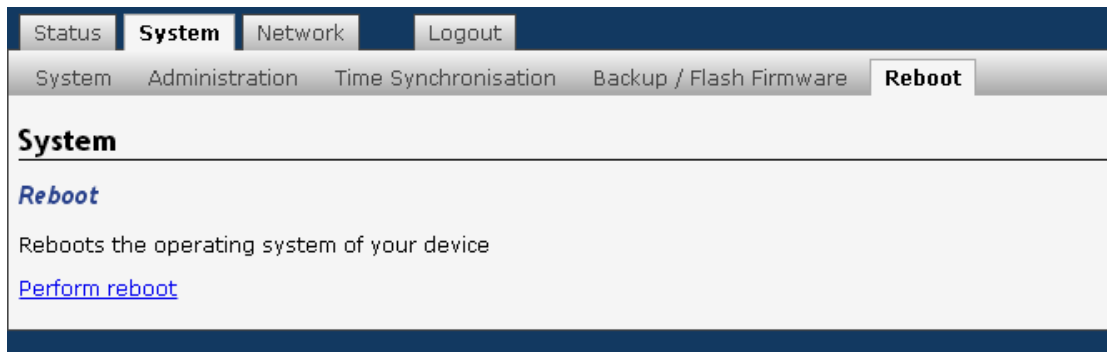
This page allows you to save existing configurations as a backup file or return the device to previous settings.



Label	Description
<b>Download backup</b>	Click <b>Generate archive</b> to save the current system settings as a file stored in the local hard drive.
<b>Reset to defaults</b>	Click <b>Perform reset</b> to reset the device to the factory settings. The device will reboot to validate the default settings.
<b>Restore backup</b>	You can restore configurations to previous status by installing a previous configuration file. To do this, click on <b>Browse</b> to locate the file you want to upload in the local hard drive and click <b>Upload archive</b> .

### 5.4.5 Reboot

This page allows you to reboot the operating system of your device. This is similar to the power-off and power-on cycle. The system configuration remains the same. Any changes that are not applied are lost.



### Flash new Firmware

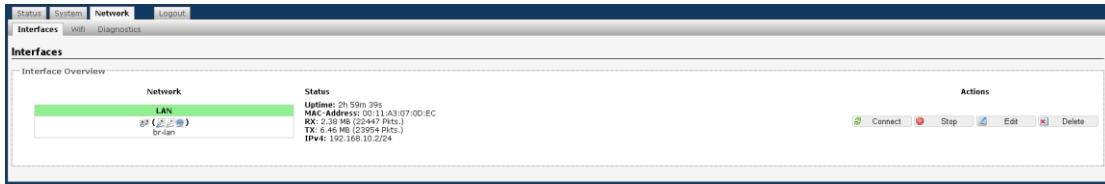
ORing launches new firmware constantly to enhance performance and functions. To upgrade firmware, download new firmware from ORing’s website to your PC and install it via Web upgrade. Make sure the firmware file matches the model of your device. It will take several minutes to upload and update the firmware. After upgrade completes successfully, reboot the device. If you want to preserve network settings after updating, check the **Keep settings** box.



## 5.5 Network

### 5.5.1 Interfaces

This section allows you to set up network configurations for your device, including LAN and Wifi settings. Interfaces tab shows an overview of the network interfaces. You can view and configure the interfaces of the local area network (LAN) zone as well as the wide area network (WAN) zone. The LAN zone (icon with two Ethernet ports) has the bridged interface “br-lan” which is used to make multiple virtual or physical network interfaces act as if they were just one network interface Network address translation (NAT) occurs between these two network zones. The router that performs the NAT is called a gateway. A gateway is a network point that acts as an entrance to another network. You can edit existing interfaces or add new interfaces in this page.



Label	Description
<b>Status</b>	Shows network information of the device including interface IP, uptime, MAC address, TX/RX counters, and IPv4 setting.
<b>Action</b>	You can perform different actions in this section. <b>Connect:</b> Reconnect this interface <b>Stop:</b> Shutdown this interface <b>Edit:</b> Edit this interface

Clicking **Add new interfaces** will bring up the following window. After filling out the required field, press Submit button to save new interface.

**Create Interface**

Name of the new interface    
The allowed characters are: A-Z, a-z, 0-9 and \_

Protocol of the new interface

Create a bridge over multiple interfaces

Cover the following interface

- Ethernet Adapter: "eth0" ([lan](#))
- Ethernet Adapter: "eth1" ([lan](#))
- Wireless Network: Master "Oring" ([lan](#))
- Custom Interface:

[Back to Overview](#)

Label	Description
<b>Name of the new</b>	Specify a name for the new interface

<b>interface</b>	
<b>Protocol of the new interface</b>	Choose a protocol for the new interface. Available values include: <b>Static address:</b> static configuration with fixed address and netmask <b>DHCP client:</b> address and netmask are assigned by DHCP <b>Unmanaged:</b> unspecified protocol <b>Relay bridge:</b> use the relay bridge protocol
<b>Create a bridge over multiple interfaces</b>	This checkbox enables a bridge over multiple interfaces.
<b>Cover the following interface</b>	Choose which interfaces to be covered from (Ethernet Adapter: eth0, eth1, Master ORing and Custom Interface).

Clicking **Edit** will bring you to the following interface.

## Interface – LAN Common Configuration

This section provides general and advanced configurations for LAN interfaces. Any change in the Network Configuration requires a **Save** and **Apply** in order for the changes to be applied to the system. Once the "**Save & Apply**" button is clicked, the system will save the current configuration automatically.

### General Setup

Common Configuration

---

General Setup | Advanced Settings | Physical Settings | Firewall Settings

Status

br-lan **Uptime:** 0h 2m 57s  
**MAC-Address:** 00:11:A3:07:0D:EC  
**RX:** 617.74 KB (6037 Pkts.)  
**TX:** 161.75 KB (648 Pkts.)  
**IPv4:** 192.168.2.155/24

Protocol: Static address

IPv4 address: 192.168.2.155

IPv4 netmask: 255.255.255.0

IPv4 gateway: 192.168.2.1

IPv4 broadcast:

Use custom DNS servers:

Label	Description
<b>Status</b>	Shows a summary of the current LAN port status, which includes uptime, MAC address, received bytes and packets, transmitted bytes and packets, and IPv4 address.
<b>Protocol</b>	This specifies the interface protocol. Static address is necessary if other devices obtain internet connection through this device. The

	<p>interface protocol may be one of the following:</p> <p><b>Static address:</b> static configuration with fixed address and netmask</p> <p><b>DHCP client:</b> address and netmask are assigned by DHCP</p> <p><b>Unmanaged:</b> unspecified protocol, PPP - PPP protocol - dialup modem connections</p> <p><b>PPtP:</b> connection via PPtP VPN</p> <p><b>PPPoE:</b> PPP over Ethernet - DSL broadband connection,</p> <p><b>PPPoATM:</b> PPP over ATM - DSL connection using a built in modem</p> <p><b>UMTS/GPRS/EV-DO:</b> protocol 3G, CDMA, UMTS or GPRS connection using an AT-style 3G modem,</p> <p><b>L2TP:</b> Layer 2 Tunneling protocol.</p> <p>Default is specified as <b>Static address</b>.</p>
<b>IPv4 address</b>	Sets the IP address of the device (e.g. 192.168.21.1), where you can access the router's configuration web page.
<b>IPv4 netmask</b>	Sets the subnet mask e.g. 255.255.255.0. The IP address and netmask together determine the subnet or network ID (e.g. 192.168.21.0/24). Two devices must be in the same subnet in order to establish a (Layer 2) link between them.
<b>IPv4 gateway</b>	Specifies the IP address of the remote router that allows the device's shell to gain internet access.
<b>IPv4 broadcast</b>	Specifies the IPv4 broadcast address, optional.
<b>Use custom DNS servers</b>	Configures the IP address of the DNS servers. The computers in the same subnet as this device can then set this device's IP address as their preferred DNS server to obtain the same DNS service.

### Advanced Setting

The following are options in the Advanced Settings section tab. Some of these options are shown, depending on the protocol being used.

- Common Configuration

---

General Setup | **Advanced Settings** | Physical Settings | Firewall Settings

---

Bring up on boot	<input checked="" type="checkbox"/>
Override MAC address	<input type="text" value="00:11:A3:07:0D:EC"/>
Override MTU	<input type="text" value="1500"/>
Use gateway metric	<input type="text" value="0"/>



Label	Description
<b>Bring up on boot</b>	Check the box to make sure that your new swap space is activated while booting up computer
<b>Override MAC address</b>	Allows you to specify a different MAC address other than the router's original MAC address. This is useful if the ISP uses the MAC address of a router to identify a customer. Suppose that the router needs to be replaced. The new router can take on the MAC address of the previous router in order to continue having internet access.
<b>Override MTU</b>	Sets the maximum transmission unit (MTU), the default being 1500 bytes. Unless, your ISP requires, it is not recommended to change this setting.
<b>Use gateway metric</b>	Allows you to specify a gateway metric. This acts as a cost for choosing the gateway when a connected device has to select between multiple available gateways. The gateway with the smallest metric is chosen.

### Physical Setting

Common Configuration

General Setup | **Advanced Settings** | Physical Settings | Firewall Settings

Bridge interfaces  creates a bridge over specified interface(s)

Enable STP  Enables the Spanning Tree Protocol on this bridge

Interface

- Ethernet Adapter: "eth0" (lan)
- Ethernet Adapter: "eth1" (lan)
- Wireless Network: Master "Oring" (lan)
- Custom Interface:



Label	Description
<b>Bridge interfaces</b>	Check to create a bridge over specified interface
<b>Enable STP</b>	Enables the Spanning Tree Protocol on this bridge. It is unchecked by default.
<b>Interface</b>	Chooses which physical interface to use for the WAN zone. This can be the Ethernet Adapter "eth0" or "eth1" that corresponds to each of the two ports on the device for example. It could also be set as the Wireless Network. If no Interface is selected, all interfaces would be within the LAN zone.

### Firewall Setting

Common Configuration

General Setup | **Advanced Settings** | Physical Settings | Firewall Settings

Create / Assign firewall-zone

- lan: lan:  
- wan: (empty)
- unspecified -or- create:

Choose the firewall zone you want to assign to this interface. Select **unspecified** to remove the interface from the associated zone or fill out the create field to define a new zone and attach the interface to it.

Label	Description
<b>Create/Assign firewall-zone</b>	This field chooses the firewall zone you want to assign to this interface. Select <b>unspecified</b> to remove the interface from the associated zone or fill out the create field to define a new zone and attach the interface to it. The default is set to <b>lan</b> .

### DHCP Server

The Dynamic Host Configuration Protocol (DHCP) is a standardized networking protocol used by servers on an IP network to allocate IP addresses automatically to client devices. It is recommended to enable the DHCP server because network address translation (NAT) occurs between the WAN zone and the LAN zone. Devices or computers that connect to this hotspot router can then obtain their IP addresses automatically. In addition, the default gateway IP address and the DNS server IP address are automatically configured for these connected devices. If the DHCP server is left disabled, it is still possible for devices to connect to the hotspot. Each device would need a unique static IP address on the same subnet as this hotspot router. Set the default gateway and DNS server for the device both to be the IP address of this hotspot router.

### General Setup

DHCP Server

General Setup | **Advanced Settings**

Ignore interface   Disable DHCP for this interface.

Start  Lowest leased address as offset from the network address.

Limit  Maximum number of leased addresses.

Leasetime  Expiry time of leased addresses, minimum is 2 Minutes (2m).

Label	Description
<b>Ignore interface</b>	Disables DHCP for this interface. You should uncheck this to enable DHCP.
<b>Start</b>	Specifies the lowest leased address as offset from the network address, the default being 100.
<b>Limit</b>	Sets the maximum number of leased addresses, the default being 150.
<b>Leasetime</b>	States the expiry time of leased addresses, the default being 12h.

### Advanced Settings

DHCP Server

General Setup | **Advanced Settings**

Dynamic DHCP  Dynamically allocate DHCP addresses for clients. If disabled, only clients having static leases will be served.

Force  Force DHCP on this network even if another server is detected.

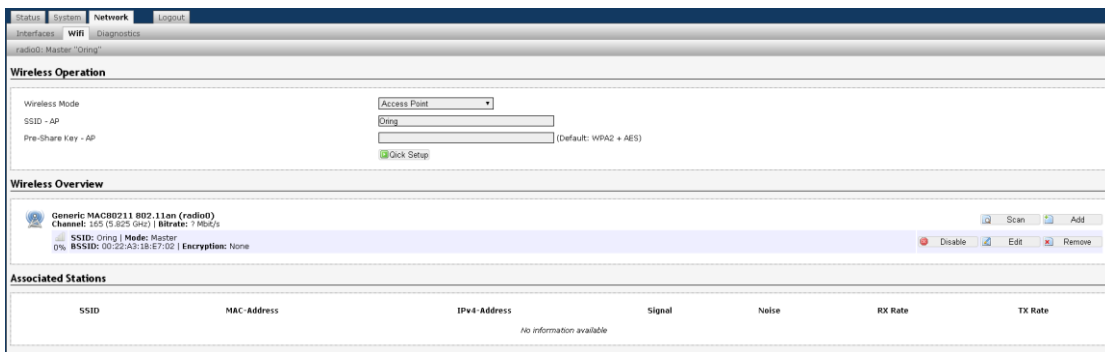
IPv4-Netmask  Override the netmask sent to clients. Normally it is calculated from the subnet that is served.

DHCP-Options  Define additional DHCP options, for example "6,192.168.2.1,192.168.2.2" which advertises different DNS servers to clients.

Label	Description
<b>Dynamic DHCP</b>	Dynamically allocates DHCP addresses for clients. If disabled, only clients having static leases will be served. Checked by default.
<b>Force</b>	Forces DHCP on this network even if another server is detected, unchecked by default.
<b>IPv4-Netmask</b>	Overrides the netmask sent to clients. Normally it is calculated from the subnet that is served.
<b>DHCP-Options</b>	Defines additional DHCP options, for example "6,192.168.2.1,192.168.2.2" which advertises different DNS servers to clients. Normally, connected devices would take this board's IP address as the default gateway. To set an alternative default gateway, add the DHCP option "3,192.168.2.3" for example.

### 5.5.2 Wifi

This section contains the section tabs for General Setup, Wireless Security, MAC-Filter, and Advanced Settings.



### Wireless Option

This section contains the section tabs for General Setup, Wireless Security, MAC-Filter, and Advanced Settings. The options will vary with the wireless mode you use.

### Wireless Mode

**Wireless Operation**

---

Wireless Mode: Access Point

SSID - AP: Access Point

Pre-Share Key - AP: Station/Client (Default: WPA2 + AES)

AP-Client

Quick Setup

### Access Point Mode

This mode can be connected to Station mode and forwards all traffic to the network devices connected to the Ethernet devices of the Station.

**Wireless Operation**

---

Wireless Mode: Access Point

SSID - AP: Oring

Pre-Share Key - AP:  (Default: WPA2 + AES)

Quick Setup

Label	Description
<b>SSID-AP</b>	Fill in the interface SSID. This will display the name of the wireless network that this access point (AP) is offering.
<b>Pre-share Key - AP</b>	Fill in the KEY value (Default is <b>WPA2+AES</b> . you can change to other option after interface is built)

### Station/Client

This is a client mode that can be connected to the Access Point mode. It is used to bridge the wireless connection to an Access Point. It forwards all the traffic to and from network devices to the Ethernet interface. This mode translates all the packets that pass through the device to its own MAC address, resulting in a lack of transparency. Interface as Client function

**Wireless Operation**

---

Wireless Mode: Station/Client

SSID - Station:

BSSID - Station:

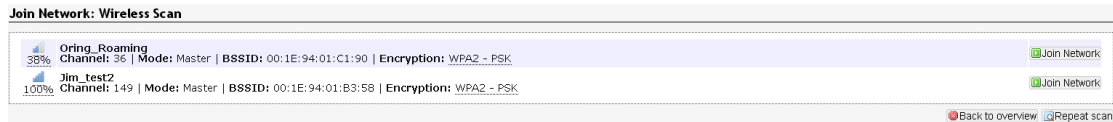
Encryption: Open

Quick Setup

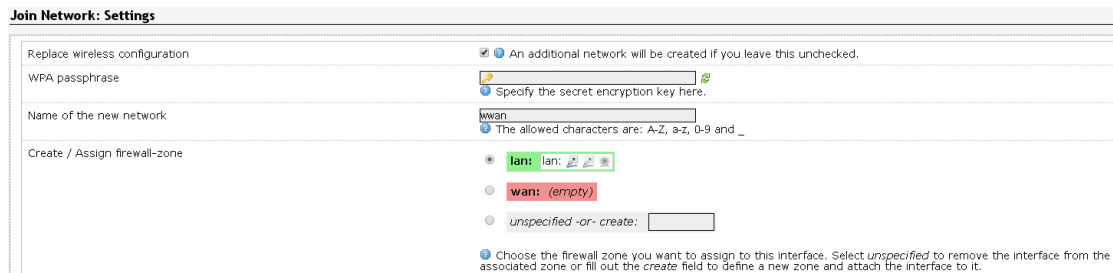
Label	Description
<b>SSID - Station</b>	This will display the name of the wireless network that this station should be associated with.
<b>BSSID - Station</b>	This is the MAC address of the AP's radio.

<b>Encryption</b>	<p>Chose an encryption method among the following options: <b>Open, WEP Open System, WEP Shared Key, WPA-PSK, WPA2-PSK, and WPA-PSK/WPA2-PSK Mixed Mode.</b> Wired Equivalent Privacy (WEP) is the oldest and least secure encryption algorithm. Stronger encryption using WPA or WPA2 should be used where possible. For the WEP Open System and WEP Shared Key encryptions, you can specify up to 4 keys and only 1 would be used at a time.</p> <p>WiFi protected access (WPA) is a stronger encryption than WEP. Furthermore, WPA2 was developed to strengthen the security of WPA and is stronger than WPA and WEP.</p>
-------------------	------------------------------------------------------------------------------------------------------------------------------------------------------------------------------------------------------------------------------------------------------------------------------------------------------------------------------------------------------------------------------------------------------------------------------------------------------------------------------------------------------------------------------------------------------------------------------------------------------------------------------

You can also click the **Scan** button next to the SSID field and have the information to be filled in automatically. When clicking **Scan** button, the following window will appear for you to join the network. A list of available nearby wireless networks will be displayed.



Click on **Join Network** will bring up the following window. This page will associate this device with the selected wireless network. Un-check the **Replace Wireless Configuration** and enter the connection details for the network you selected. If desired you can name the new network configuration, and assign the connection to a specific firewall zone.



## AP – Client

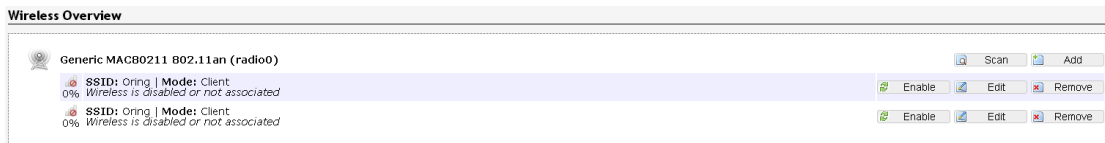
### Wireless Operation

Wireless Mode	AP-Client
SSID - AP	Oring
Pre-Share Key - AP	(Default: WPA2 + AES)
SSID - Station	<input type="text"/> <a href="#">Scan</a>
BSSID - Station	<input type="text"/>
Encryption	Open
	<a href="#">Click Setup</a>

Label	Description
<b>SSID – AP</b>	Fill in the interface SSID. This will display the name of the wireless network that this access point (AP) is offering.
<b>Pre-share Key - AP</b>	Fill in the KEY value (Default is WPA2+AES. you can change to other option after interface is built)
<b>SSID – Station</b>	This will display the name of the wireless network that this station should be associated with.
<b>BSSID - Station</b>	This is the MAC address of the AP's radio.
<b>Encryption</b>	Chose an encryption method among the following options: <b>Open, WEP Open System, WEP Shared Key, WPA-PSK, WPA2-PSK, and WPA-PSK/WPA2-PSK Mixed Mode.</b> Wired Equivalent Privacy (WEP) is the oldest and least secure encryption algorithm. Stronger encryption using WPA or WPA2 should be used where possible. For the WEP Open System and WEP Shared Key encryptions, you can specify up to 4 keys and only 1 would be used at a time.  Wifi protected access (WPA) is a stronger encryption than WEP. Furthermore, WPA2 was developed to strengthen the security of WPA and is stronger than WPA and WEP.

## Wireless Overview

This page shows the status of the available wireless networks. You can use the **Scan** button to scan for available wireless networks. This button is available if the device is operating as a Station. You can then select the network to connect to. You can also click on **Enable** to enable the wireless network or click on **Edit** to modify network settings.



## Add/ Edit

Clicking on the **Edit** button for a network would bring you to the configuration page. This page contains the sections **Device Configuration** and **Interface Configuration**. The **Device Configuration** section covers the physical settings of the hardware such as channel, transmit power, or antenna selection. These are shared among all defined wireless networks of the radio. Per network settings like encryption or operation mode are grouped in the **Interface Configuration**.

Device Configuration

General Setup | **Advanced Settings**

Status

Mode: Master | SSID: Oring  
 BSSID: 00:22:A3:1B:E7:02 | Encryption: None  
 Channel: 165 (5.825 GHz) | Tx-Power: 4 dBm  
 Signal: 0 dBm | Noise: -95 dBm  
 Bitrate: 0.0 Mbit/s | Country: US

Wireless network is enabled  Disable

Channel: 165 (5.825 GHz)

Transmit Power: 25% (4 dbm)

Label	Description
<b>Wireless network is enabled</b>	Click on <b>Disable</b> will disable the wireless network.
<b>Channel</b>	Chooses the frequency channel. The default setting of <b>Auto</b> may be used. For an AP, it would select the channel with the least interference from other APs. For a station, it would automatically select the same channel as its AP. The frequency channel may also be manually selected. An AP and its station must have the same channel in order to communicate.
<b>Transmit Power</b>	Chooses the transmit power of the radio. This is the total power supplied to the antennas of the radio. The maximum power also depends on the frequency channel used.

Device Configuration

General Setup | **Advanced Settings**

Mode: 802.11a+n

HT Mode: 20MHz

Country Code: US - United States  
 Use ISO/IEC 3166 alpha2 country codes.

Distance Optimization:   
 Distance to farthest network member in meters.

Fragmentation Threshold: 2346

RTS/CTS Threshold: 2347

Label	Description
<b>Mode</b>	Chooses the wireless standard used. 802.11a is an older standard while 802.11n is a newer standard that offers higher data rates. The choice of 802.11a+n is a combination of 802.11a and 802.11n, and operates in the 5 GHz frequency band. The 802.11ac is the latest standard that offers even higher data rates (up to 1300 Mbps) and it also operates in the 5 GHz frequency band.
<b>HT Mode</b>	Allows the network to use both 20 MHz and 40 MHz bands. Required on AP side primarily to support co-existence. The station

	<p>can also send intolerant bit status to AP to signal use of 20 MHz channel. The station will follow the AP's channel bonding and channel switching HT 20/40 mechanism. Disabling this setting forces the use of 40 MHz bandwidth/channel bonding, and results in high data rate.</p>
<b>Country Code</b>	<p>Selects the country. Each country has its own transmit power and frequency regulations. To ensure regulatory compliance, you must select the country where the device is operating in. The transmit power levels for each channel are tuned accordingly.</p>
<b>Distance Optimization</b>	<p>Specifies the distance between the AP and the station. Min is 300 meters and Max is 12000 (80MHz), 24000 (40MHz), 48000 (20MHz). This value may be set to slightly more than the physical distance between the AP and the farthest station.</p>
<b>Fragmentation Threshold</b>	<p>Specifies the maximum size for a packet before data is fragmented into multiple packets. The range is 256-2346 bytes, or "off". Setting the Fragmentation Threshold too low may result in poor network performance. The use of fragmentation can increase the reliability of frame transmissions. Because smaller frames are sent, collisions are much less likely to occur. However lower values of the Fragmentation Threshold will result lower throughput as well. Little or no modification of the Fragmentation Threshold value is recommended as the default setting of 2346 is optimum for most wireless networks.</p>
<b>RTS/CTS Threshold</b>	<p>Determines the packet size of a transmission and, through the use of an access point, helps control traffic flow. The range is 0-2347bytes, or "off". The default value is 2347, which means that RTS is disabled. RTS/CTS (Request to Send / Clear to Send) is the mechanism used by the 802.11 wireless networking protocol to reduce frame collisions introduced by the hidden terminal problem. RTS/CTS packet size threshold is 0-2347 bytes. If the packet size the node wants to transmit is larger than the threshold, the RTS/CTS handshake gets triggered. If the packet size is equal to or less than threshold the data frame gets sent immediately. System uses Request to Send/Clear to Send frames for the handshake which provide collision reduction for access point with hidden stations. The stations are sending an RTS frame first while data is sent only after handshake with an AP is completed.</p>



	Stations respond with the CTS frame to the RTS, which provides clear media for the requesting station to send the data. CTS collision control management has time interval defined during which all the other stations hold off the transmission and wait until the requesting station will finish transmission.
--	------------------------------------------------------------------------------------------------------------------------------------------------------------------------------------------------------------------------------------------------------------------------------------------------------------------

Interface Configuration

General Setup | Wireless Security | MAC-Filter

Mode: Access Point

ESSID: Oring

Hide ESSID:

WMM Mode:

Label	Description
<b>Mode</b>	Selects whether the device is operating as an Access Point (AP) or a Station. Other options are Access Point WDS and Station WDS.
<b>ESSID</b>	Specifies the name or extended service set identifier (ESSID) of the wireless network as it is provided in the beacon message. The network name can be up to 32 characters in length and can contain spaces. When running in AP mode, it is the name of the network as advertised in the beacon message. In Station mode, it is the network name that the station associates with.
<b>Hide ESSID</b>	Hides the network name (ESSID) from being broadcast publicly. (This option is for a device operating as an AP.)
<b>WMM Mode</b>	Provides Quality of Service (QoS) features, checked by default. Wireless multimedia enables the classification of the network traffic into 4 main types, voice, video, best effort, and background, in decreasing order of priority. Higher priority traffic has a higher transmission opportunity and would have to wait less time to transmit. As a result, an existing video stream would not be interrupted by additional background processes.

Interface Configuration

General Setup | Wireless Security | MAC-Filter

Encryption: [Dropdown Menu]

- No Encryption
- No Encryption
- WPA2-EAP
- WPA-EAP
- WPA,PSK/WPA2-PSK Mixed Mode
- WPA2-PSK
- WPA-PSK
- WEP Shared Key
- WEP Open System

Label	Description
-------	-------------

<b>Encryption</b>	<p>Choose an encryption method from the drop-down list. Wired Equivalent Privacy (WEP) is the oldest and least secure encryption algorithm. Stronger encryption using WPA or WPA2 should be used where possible. For the WEP Open System and WEP Shared Key encryptions, you can specify up to 4 keys and only 1 would be used at a time.</p> <p><b>Used Key Slot:</b> Chooses between Key #1 to Key #4.</p> <p><b>Key 1 ~ Key 4:</b> Specifies a string of characters to be used as the password. It may consist of 5 ASCII characters or 10 HEX characters, implying a 64-bit WEP key length. Otherwise, it may consist of 13 ASCII or 26 HEX characters, implying a 128-bit key length.</p> <p>WiFi protected access (WPA) is a stronger encryption than WEP. Furthermore, WPA2 was developed to strengthen the security of WPA and is stronger than WPA and WEP.</p> <p><b>Cipher:</b> Can be set to CCMP (AES), TKIP, or TKIP and CCMP (AES). The Temporal Key Integrity Protocol (TKIP) was developed as a temporary replacement for WEP. The Counter Mode Cipher Block Chaining Message Authentication Code Protocol (CCMP) is based on the Advanced Encryption Standard (AES) and is the most secure protocol.</p> <p><b>Key:</b> The pre-shared key (PSK) is the password for the wireless network. This may consist of 8 to 63 ASCII characters.</p>
-------------------	----------------------------------------------------------------------------------------------------------------------------------------------------------------------------------------------------------------------------------------------------------------------------------------------------------------------------------------------------------------------------------------------------------------------------------------------------------------------------------------------------------------------------------------------------------------------------------------------------------------------------------------------------------------------------------------------------------------------------------------------------------------------------------------------------------------------------------------------------------------------------------------------------------------------------------------------------------------------------------------------------------------------------------------------------------------------------------------------------------------------------------------------------------------------------------------------------------------------------------------------------------------------------------------------------------------------------------------------------------------

This section tab is only available for a device operating as an AP.

Label	Description
<b>MAC-Address Filter</b>	Allows only devices with the listed MAC address to associate with this AP, or lets you block devices with the listed MAC address.
<b>MAC-List</b>	Adds the MAC address of the remote device to either block or allow.

## Associated Stations List

This section shows the connected devices, if the router is in the AP mode.

SSID	MAC Address	IPv4-Address	Signal	Noise	RX Rate	TX Rate
Oring	AC:22:08:BE:55:34	?	-17 dbm	-95 dbm	130.0 Mb/s, MCS 15, 20MHz	6.0 Mb/s, MCS 0, 20MHz

Label	Description
<b>SSID</b>	Displays the name of the wireless network that this station should be associated with.
<b>MAC Address</b>	Displays the MAC address of the station's radio.
<b>IPv4-Address</b>	Shows the IP address of the device as seen from the WAN zone.
<b>Signal</b>	Displays the received signal strength from the station.
<b>Noise</b>	Displays the received noise power at the AP.
<b>RX Rate</b>	Shows the transmit bit rate from the AP towards this station.
<b>TX Rate</b>	Shows the receive bit rate at the AP from this station.

## 5.5.3 Diagnostics Network Utilities

This page provides several network utility tools for diagnosing the cause of network or hardware errors such as ping, traceroute, and nslookup.

### Ping

A simple ping of the server checks to see if it's responding. If there are serious server problems, a ping will either time out, or run very slowly. If you are able to find the server via DNS, but can't get a ping response from it, this would point to an error with either the physical server, or a fault in the network that connects the client and server.

The screenshot shows the 'Diagnostics' section of the router's web interface. Under 'Network Utilities', there are input fields for IP addresses and a dropdown menu set to 'IPv4'. A 'Ping' button is highlighted with a red box. Below the input fields, the output of a ping command is displayed in a text area, also highlighted with a red box. The output shows a successful ping to 192.168.10.3 with 5 data bytes, 5 packets transmitted, 5 packets received, and 0% packet loss. The round-trip times are 0.315ms, 0.342ms, 0.319ms, and 0.324ms.

```

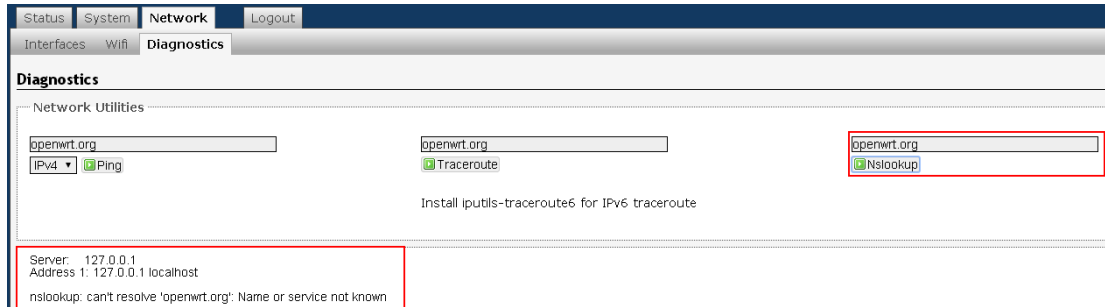
PING 192.168.10.3 (192.168.10.3): 56 data bytes
64 bytes from 192.168.10.3: seq=0 ttl=128 time=0.428 ms
64 bytes from 192.168.10.3: seq=1 ttl=128 time=0.315 ms
64 bytes from 192.168.10.3: seq=2 ttl=128 time=0.342 ms
64 bytes from 192.168.10.3: seq=3 ttl=128 time=0.319 ms
64 bytes from 192.168.10.3: seq=4 ttl=128 time=0.324 ms

--- 192.168.10.3 ping statistics ---
5 packets transmitted, 5 packets received, 0% packet loss
round-trip min/avg/max = 0.315/0.345/0.428 ms
    
```

### Traceroute

Traceroute will try to follow the path that connects the client and server. In the case where the

client can find but is unable to connect to your server, the Traceroute will help locate the cause of the error. This test is useful for identifying when specific data centers or CDN locations are having issues. Note: Traceroute is an imperfect test because many nodes in the network will not respond to the trace route calls, and those nodes will show as timeouts.



## Nslookup

Nslookup will identify where the URL for the server points to. This command will check to determine what IP address the name server is pointing to for your URL. This tool will help identify if the name servers encounters conflicts, propagation errors, or specific locations that have trouble finding the server.

# Technical Specifications

ORing WLAN Access Point Model	IAP-W520+	IAP-W522+
<b>Physical Ports</b>		
10/100 Base-T(X) Ports in RJ45 Auto MDI/MDIX	<b>2 (one port with PoE)</b>	
<b>WLAN interface</b>		
Operating Mode	AP/Bridge/AP-Client/Client	
Antenna Connector	Build-in 15dBi panel antenna	2 x External N-type antenna connector
Radio Frequency Type	OFDM	
Modulation	IEEE802.11a : OFDM with BPSK, QPSK, QAM, 64QAM IEEE802.11n : BPSK, QPSK, 16-QAM, 64-QAM	
Frequency Band	America / FCC : 5.180 ~ 5.240 GHz & 5.745 ~ 5.825 GHz ( 9 channels ) Europe CE / ETSI : 5.180 ~ 5.240 GHz ( 4 channels )	
Transmission Rate	IEEE802.11a: 6/ 9/ 12/ 18/ 24/ 36/ 48/ 54 Mbps IEEE801.11n: up to 300Mbps	
Transmit Power	500mw Max.	
Receiver Sensitivity	-97dBm ± 2dBi	
Encryption Security	WEP: (64-bit ,128-bit key supported) WPA/WPA2 :802.11i(WEP and AES encryption) WPAPSK (256-bit key pre-shared key supported) 802.1X Authentication supported TKIP encryption	
Wireless Security	SSID broadcast disable	
<b>Protocol Support</b>		
Protocol	ARP,BOOTP, DHCP, DNS, HTTPs, IP, ICMP, SNTP, TCP, UDP, RADIUS, SNMP, STP (IEEE 802.1D)	
<b>LED indicators</b>		
Power indicator	1 x LED, Green On: Power(PoE) is on and functioning Normally.	
10/100Base-T(X) RJ45 port indicator	2 x LED, Green On: Port Link / Act, Blinking: data transmission	
WLAN LED	3 x LED, Green for WLAN Strength: 1<30%, 2<60%, 3<90%	
<b>Power</b>		
Input power	48VDC from P.o.E	
Power consumption (Typ.)	9watts	
<b>Physical Characteristic</b>		
Enclosure	IP-67	
Dimension (W x D x H)	162(W)x 101.5(D)x 58(H) mm (6.38x 4.0x 2.28 inch.)	162(W)x 101.5(D)x 47.3(H) mm (6.38x 4.0x 1.86 inch.)
Weight (g)	720 g	790 g
<b>Environmental</b>		
Storage Temperature	-30 to 85°C (-22 to 185°F)	
Operating Temperature	-20 to 70°C (-4 to 158°F)	
Operating Humidity	100% Non-condensing	
<b>Regulatory approvals</b>		
EMI	FCC Part 15, CISPR (EN55022) class A	
EMS	EN61000-4-2 (ESD), EN61000-4-3 (RS), EN61000-4-4 (EFT), EN61000-4-5 (Surge), EN61000-4-6 (CS), EN61000-4-8, EN61000-4-11	
Shock	IEC60068-2-27	

Free Fall	IEC60068-2-32
Vibration	IEC60068-2-6
Safety	EN60950-1
<b>Warranty</b>	3 years

## Compliance

### FCC Statement

This device complies with Part 15 of the FCC Rules. Operation is subject to the following two conditions:

(1) This device may not cause harmful interference and (2) this device must accept any interference received, including interference that may cause undesired operation.

RF exposure warning: The equipment complies with RF exposure limits set forth for an uncontrolled environment. The antenna(s) used for this transmitter must not be co-located or operating in conjunction with any other antenna or transmitter.

You are cautioned that changes or modifications not expressly approved by the party responsible for compliance could void your authority to operate the equipment. This device should be operated with minimum distance 20cm between the device and all persons. Operations in the 5.15-5.25GHz band are restricted to indoor usage only.

### Industry Canada Statement

This device complies with Industry Canada licence-exempt RSS standard(s). Operation is subject to the following two conditions: (1) this device may not cause interference, and (2) this device must accept any interference, including interference that may cause undesired operation of the device.

*Le présent appareil est conforme aux CNR d'Industrie Canada applicables aux appareils radio exempts de licence. L'exploitation est autorisée aux deux conditions suivantes : (1) l'appareil ne doit pas produire de brouillage, et (2) l'utilisateur de l'appareil doit accepter tout brouillage radioélectrique subi, même si le brouillage est susceptible d'en compromettre le fonctionnement.*

Industry Canada - Class B This digital apparatus does not exceed the Class B limits for radio noise emissions from digital apparatus as set out in the interference-causing equipment standard entitled "Digital Apparatus," ICES-003 of Industry Canada.

*Cet appareil numérique respecte les limites de bruits radioélectriques applicables aux appareils numériques de Classe B prescrites dans la norme sur le matériel brouilleur: "Appareils Numériques," NMB-003 édictée par l'Industrie.*

Operation is subject to the following two conditions: (1) this device may not cause interference, and (2) this device must accept any interference, including interference that may cause undesired operation of the device.

*L'opération est soumise aux deux conditions suivantes: (1) cet appareil ne peut causer d'interférences, et (2) cet appareil doit accepter toute interférence, y compris celles susceptibles de provoquer le fonctionnement du dispositif.*

To reduce potential radio interference to other users, the antenna type and its gain should be so chosen that the equivalent isotropically radiated power (e.i.r.p.) is not more than that permitted for successful communication.

*Afin de réduire les interférences radio potentielles pour les autres utilisateurs, le type d'antenne et son gain doivent être choisis de telle sorte que la puissance isotrope rayonnée équivalente (PIRE) est pas plus que celle permise pour une communication réussie*

RF exposure warning: The equipment complies with RF exposure limits set forth for an uncontrolled environment. The antenna(s) used for this transmitter must not be co-located or operating in conjunction with any other antenna or transmitter.

*Avertissement d'exposition RF: L'équipement est conforme aux limites d'exposition aux RF établies pour un environnement non contrôlé. L'antenne (s) utilisée pour ce transmetteur ne doit pas être co-localisée ou fonctionner en conjonction avec toute autre antenne ou transmetteur.*