



MiniMax—DeskTop
MiniMax—Midsize
MiniMax—FullSize

FURGER • GADGET

Owner's Manual

CONTENTS

TABLE OF CONTENTS

Important Safety Instructions	3-4
Parts—Exploded View & Identification	
MiniMax Desktop	5
MiniMax MidSize	6
MiniMax FullSize	7
Introduction	
MiniMax—All-In-OneReactor	8
Specifications	9
Getting Started	
Unpacking & Inspection	10
Pump Assembly	10
Adding Media	11-12
Mounting Bracket Assembly	13
MiniMax Placement	
DeskTop	14
MidSize	14
FullSize	15
Height Adjustment	16
MiniMax Controls	
Water Flow Adjustment	17
Maintenance	
Replacing Media	18
Pump Cleaning—Desktop	19
Pump Cleaning—MidSize	21
Pump Cleaning—FullSize	21
Notes	22
Warranty Information	23
Owner's Product Information	24

WARNING

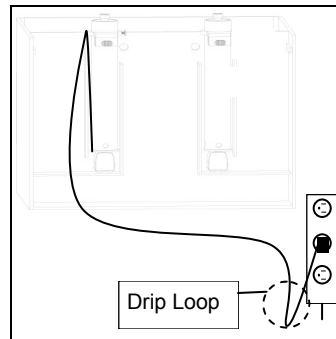
To guard against injury, basic safety precautions should be observed including the following:

READ ALL SAFETY INSTRUCTIONS BEFORE USE.

WARNING

To avoid electric shock, special care should be taken since water is employed in the use of aquarium equipment. For each of the following situations, do not attempt to repair yourself. Return the appliance to an authorized service facility for service or discard the appliance.

- If the appliance falls into water, DO NOT reach for it! First unplug it and then retrieve it. If the electrical components of the appliance get wet, unplug the appliance immediately.
- Carefully examine the appliance after installation. It should not be plugged in if there is water on parts not intended to be wet.
- Do not operate any appliance if it has a damaged cord or plug, or if it is malfunctioning or if it is dropped or damaged in any manner.
- To avoid the possibility of the appliance plug or receptacle getting wet, position aquarium to one side of a wall mounted receptacle to prevent water from dripping onto the receptacle plug. A “Drip Loop” should be arranged by the user for EACH cord connecting an aquarium appliance to a receptacle. The “Drip Loop” is that part of the cord below the level of the receptacle or the connector if an extension cord is used. This “Drip Loop” prevents water travelling along the cord and coming in contact with the receptacle. If the plug or the receptacle do get wet DO NOT unplug the cord. Disconnect the fuse to the circuit breaker that supplies power to the appliance. Then unplug and examine for the presence of water in the receptacle.
- Close supervision is necessary when any appliance is used by or near children.
- To avoid injury, do not contact moving parts or hot parts such as heaters, reflectors, lamps bulbs and etc.
- Always unplug an appliance from the outlet when not in use, before putting on or taking off parts, and before cleaning. Never yank the cord to pull plug from outlet. Grasp the plug and pull to disconnect.



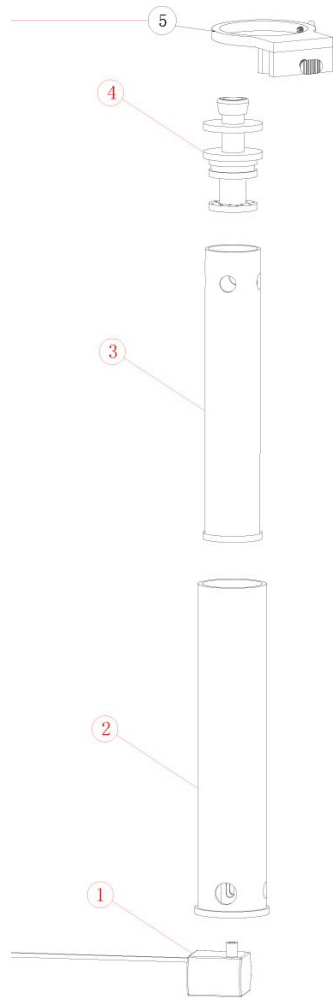
IMPORTANT SAFETY INSTRUCTIONS

- Do not use an appliance for other than intended use. The use of attachments not recommended or sold by the appliance manufacturer may cause an unsafe condition.
- Do not install or store the appliance where it will be exposed to the weather or to temperatures below freezing.
- Make sure an appliance mounted on a tank is securely installed before operating it.
- Read and observe all the important notices on the appliance.
- This appliance has a polarized plug (one blade is wider than the other). As a safety feature, this plug will fit in a polarized outlet only one way. If the plug does not fit fully in the outlet, reverse the plug. If it still does not fit, contact a qualified electrician. Never use with an extension cord unless plug can be fully inserted. Do not attempt to defeat this safety feature.
- This appliance is intended FOR HOUSEHOLD USE ONLY.
- If an extension cord is necessary, a cord with a proper rating should be used.

CLEANING

- Always unplug the MiniMax before performing maintenance or cleaning.
- Make sure hands are dry before re-plugging into an approved electrical outlet

MiniMax—DeskTop #7301

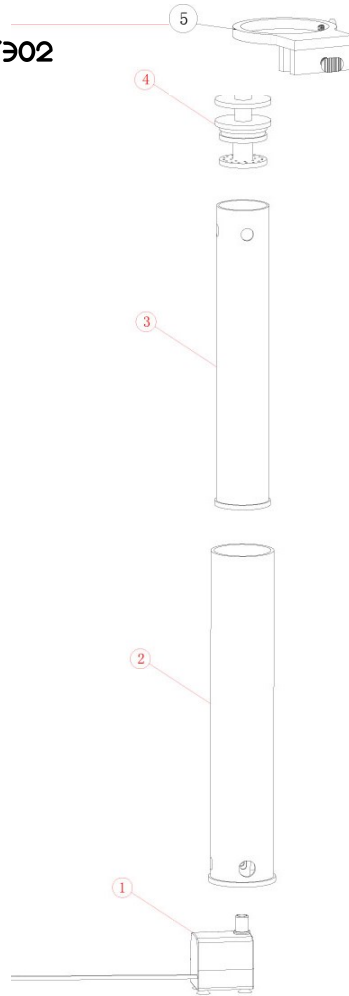


PARTS
Exploded View

#	Description	Item Code
1	MiniMax—Desktop Pump	730101
2	MiniMax—Desktop Outer Acrylic Chamber	730102
3	MiniMax—Desktop Inner Acrylic Chamber	730103
4	MiniMax—Desktop Cap	730104
5	MiniMax—Desktop Mounting Bracket	730106

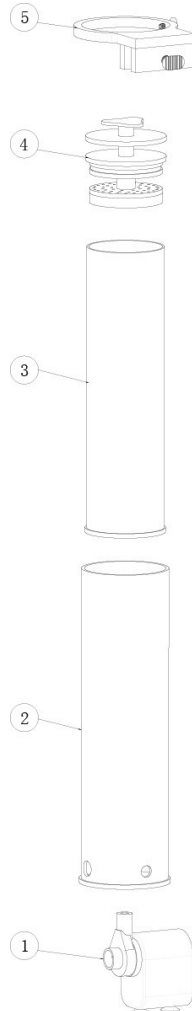
**PARTS
Exploded View**

MiniMax—MidSize #7302



#	Description	Item Code
1	MiniMax—MidSize Pump	020001
2	MiniMax—MidSize Outer Acrylic Chamber	730202
3	MiniMax—MidSize Inner Acrylic Chamber	730203
4	MiniMax—MidSize Cap	730204
5	MiniMax—MidSize Mounting Bracket	730206

MiniMax—DeskTop #7303



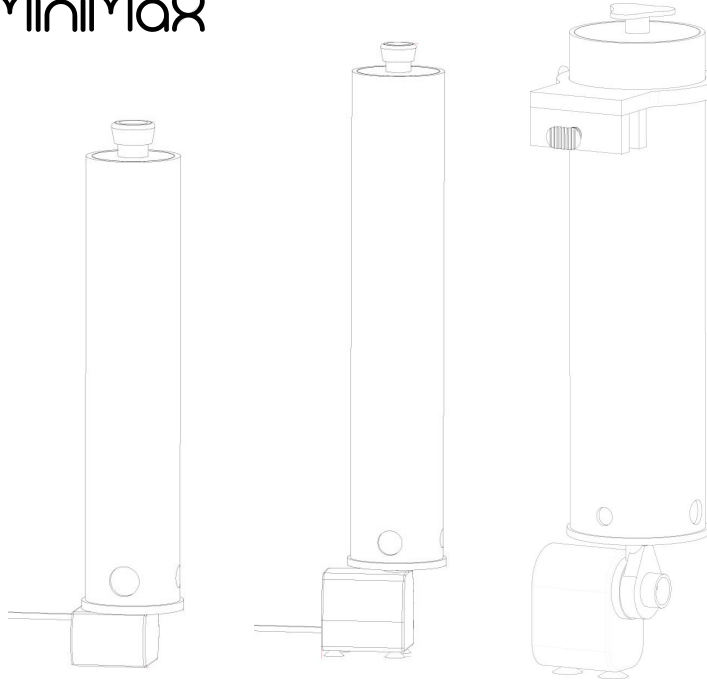
PARTS
Exploded View

#	Description	Item Code
1	MiniMax—FullSize Pump	020005
2	MiniMax—FullSize Outer Acrylic Chamber	730302
3	MiniMax—FullSize Inner Acrylic Chamber	730303
4	MiniMax—FullSize Cap	730304
5	MiniMax—FullSize Mounting Bracket	730306

INTRODUCTION

AUQA GADGETS are a new line of fresh & clever tools that aid in your daily chores for your aquarium. Innovative design and simplicity are the core ingredients to save you time and frustration. AUQA GADGETS series include SMART products that encompass maintenance, filtration, feeding, and organization to streamline your husbandry needs without the hassle.

MiniMax



DeskTop
Item#7301

MidSize
Item#7302

FullSize
Item#7303

Nano Reactor—Less is Definitely More

If you desire the highest water quality but are frustrated with media reactors on the market... Meet the game changing MiniMax. The MiniMax All-In-One Media Reactor is a novel approach to optimize chemical and biological filtration for nano and mini marine aquariums. Its' innovative Patent Pending design minimizes the need for flexible tubes, pvc pipes, ball valves, thumb screws, and unnecessary clutter that are usually associated with typical media reactors. Its' ingenious design maximizes performance and offers out of the box responsive flow control, easy maintenance, low power consumption, and the smallest form factor ever built. The versatile MiniMax is designed to be discreetly hidden behind All-in-One Aquariums or placed directly in sumps.

MiniMax

Features:

- Offered in 3 convenient Models
- Desktop – 150 ml Maximum Volume Capacity
- Midsize – 350 ml Maximum Volume Capacity
- Fullsize—1 liter Maximum Volume Capacity
- All-In-One Design - For use with BioPellets, GFO, or Carbon
- Made from quality cell cast acrylic - Bracket Included
- Pump Included
- Easy turn knob for Responsive Flow Control
- Energy Efficient - 2.5 to 11 watt power consumption
- Double O-Ring Seal
- Small compact form factor

SPECS

MODEL	7301—Desktop	7302—Midsize	7303—FullSize
<i>Dimensions w/ pump</i>	2.2" x 2.3" x 11.41"	2.6" x 3.07" x 15.75"	5.31"x 4.8" x 17.13" w/ Mounting Bracket
<i>Max Volume Capacity</i>	150 ml	350 ml	1 Liter
<i>Designed For</i>	NANO 16	MICRO 30 & MINI 38	IN SUMP
<i>Power</i>	110-120V/60HZ	110-120V/60HZ	110-120V/60Hz
<i>Pump Watts</i>	2.5 WATTS	8 WATTS	11 WATTS
<i>Max Flow Rate</i>	52 GALLONS PER HOUR	92 GALLONS PER HOUR	211 GALLONS PER HOUR

MiniMax—DeskTop & MidSize

Unpacking and Inspection

Please inspect your new MiniMax Media Reactor and confirm all parts are included before assembly.

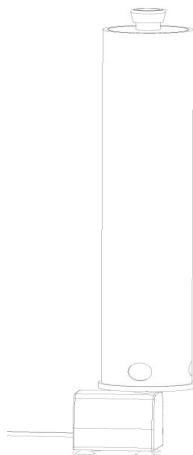
Immediately report if there is any damage or missing parts to info@innovative-marine.com

Your MiniMax purchase should include:

1. Inner & Outer Acrylic Chamber
2. Double O-Ring Cap
3. Acrylic Bracket
4. (2) Foam Sponges (for use with fine media such as GFO & Carbon)
5. Pump

MiniMax—DeskTop & MidSize

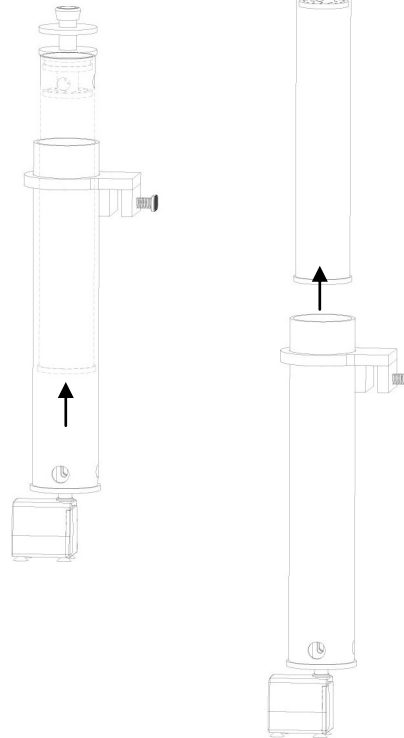
MiniMax Pump Assembly



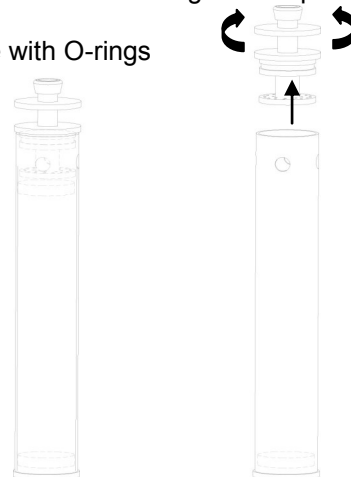
1. Attach pump to underside of chamber

Adding Media to the MiniMax

1. Grab turn knob and pull inner chamber out of outer chamber.



2. Securely grab the cap and twist left to right while pulling upwards.
3. The cap is held in place with O-rings



Adding Media to the MiniMax

The MiniMax is designed to work with Bio Pellets, (GFO) Granular Ferric Oxide, or Pelletized Carbon.

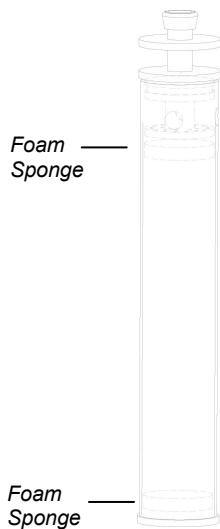


Generally, Bio Pellets require a stronger tumble, while GFO and Pelletized Carbon require less water flow to prevent crumbling. Please check with the manufacturer's instructions for volume needed for your tank size and rinsing procedures prior to adding media to reactor.



Note: The MiniMax includes two black sponges for use with GFO and Pelletized Carbon. Insert first black sponge directly over the dispersion plate. Add GFO or Pelletized Carbon and place second black sponge below the top dispersion plate.

Bio Pellets do not require the two black sponges

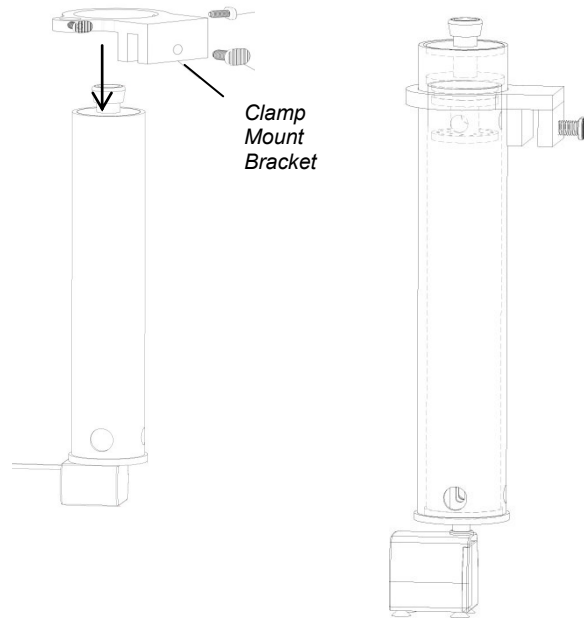


Remember to leave room for the media to fluidize in reactor. We do not recommend filling reactor to the maximum volume capacity.

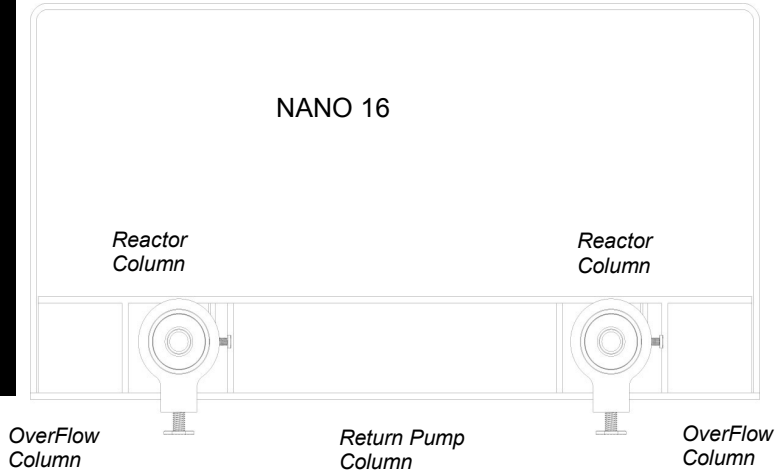
Please check with manufacturer's instruction for proper amount of media needed for your specific set up.

MiniMax Mounting Bracket Assembly

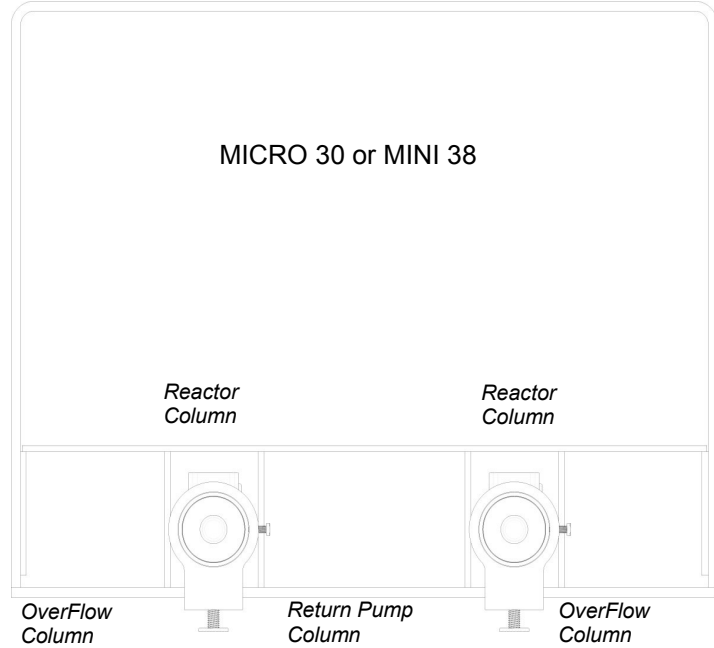
1. Slide bracket over MiniMax Outer Chamber body and turn tightening screw for secure hold.



MiniMax Placement—DeskTop

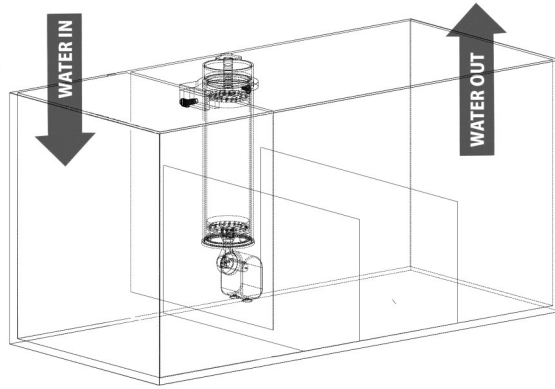


MiniMax Placement—MidSize



MiniMax Placement—FullSize

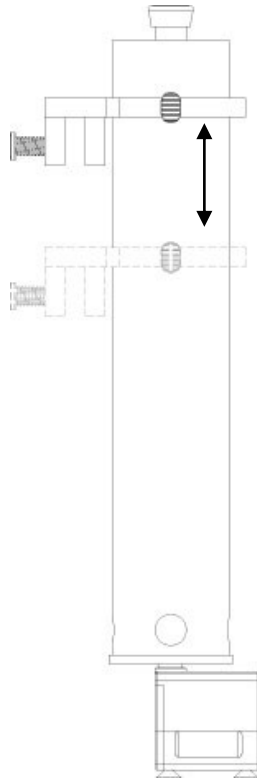
Shown in Sump



GETTING STARTED

MiniMax Height Adjustment

The MiniMax includes an acrylic bracket to securely fasten to rimless tanks, sumps, and AIO divider baffles. Once reactor is set in your desired position, adjust the bracket height by sliding up/down over chamber. Finish by tightening the two screws to secure reactor and clamp to an edge.

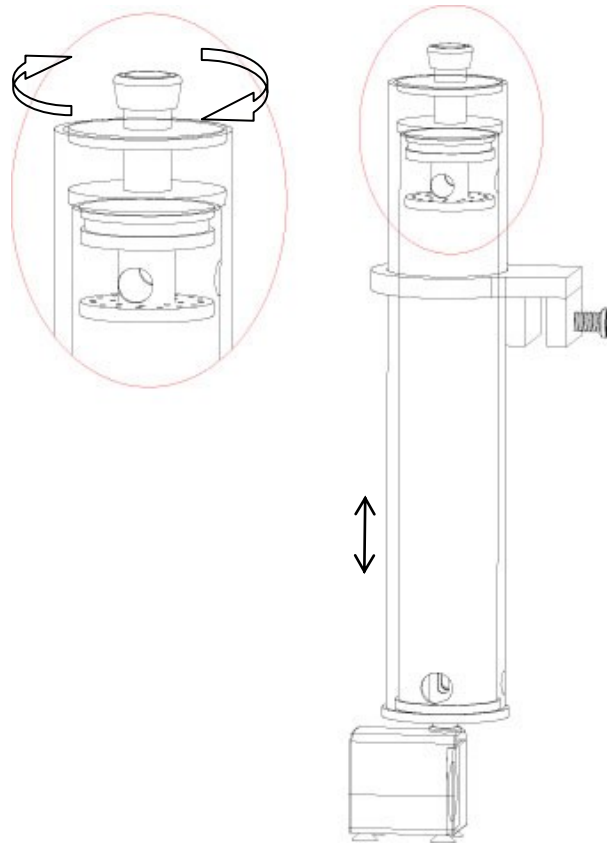


MiniMax—is designed to be submerged in water and should not be used as a hang-on type reactor out of water.

MiniMax Water Flow Adjustment

MiniMax reactors incorporate a responsive water flow adjusting knob. Since, different media require different flow rates, this feature allows min to max flow settings with a simple turn of the knob.

Turn knob to increase/decrease desired water flow.



Replacing Media- MiniMax

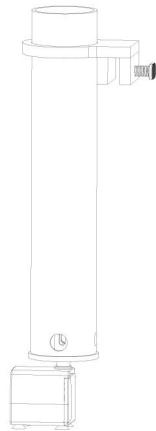
A



- A. Slide out inner chamber by lifting up on adjustment knob. Wait for 5 seconds for water to drain out bottom before taking to sink.
- B. Firmly grab cap lid and twist left to right while pulling upwards.
- C. Replenish media

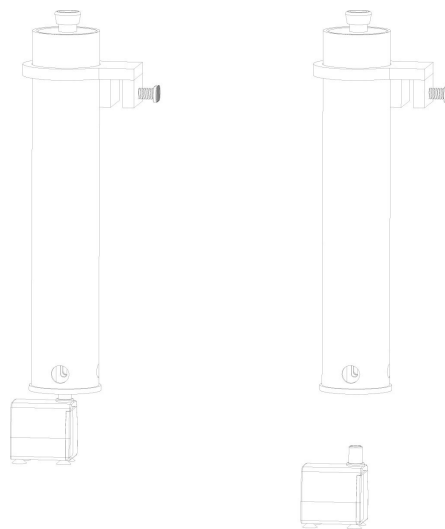


B



CLEANING / REMOVING PUMP

- Unplug MiniMax pump from electrical outlet before performing any maintenance.
- Pull entire MiniMax out
- Drain water that is in the main body.
- Disconnect pump from MiniMax



Removing Impeller

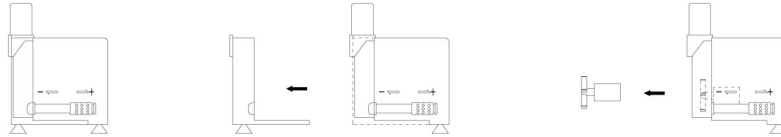
DESKTOP PUMP

- • Unplug pump from power strip
- • Slide the Impeller Cover off of pump motor shown below
- • Lift the Impeller out of pump motor



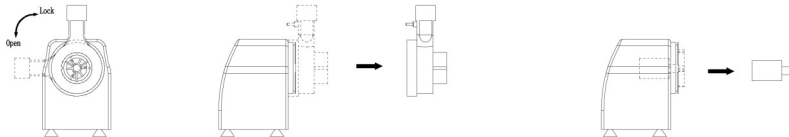
MIDSIZE PUMP

- • Unplug pump from power strip
- • Slide the Impeller Cover off of pump motor shown below
- • Lift the Impeller out of pump motor



FULLSIZE PUMP

- • Unplug pump from power strip
- • Turn the outlet coupling from lock position to open position shown below.
- • Disassemble the outlet coupling from pump motor
- • Lift out the impeller & shaft from pump motor



NOTES

WARRANTY INFORMATION

LIMITED 1 YEAR WARRANTY— MiniMax

This MiniMax has a 1 YEAR limited warranty. The MiniMax is warranted to the original purchaser against defective material and workmanship for 1 YEAR from the date of original purchase. This warranty is valid only under the following conditions: additions, modifications, or changes made to the product by the purchaser and not by the manufacturer shall void this warranty. Damages brought on by abuse, misapplication, or mishandling also voids this warranty.

This warranty is limited to the repair or replacement of the product at the discretion of the manufacturer. This warranty does not cover personal injury, property loss, including livestock or damage (direct, incidental, or consequential) arising out of use of this product. This warranty gives you specific rights and you may also have other rights, which may vary from state to state.

The Product Registration Card must be filled out completely and returned within (14) days from the date of purchase. Failure to do so will void this warranty. **A proof of purchase from an authorized dealer must be provided when making a warranty claim.**

For Warranty Claim please contact our Customer Care Department.

A RMA # must be issued before sending any product back to Innovative Marine. Products sent back to Innovative Marine without a RMA# will be not be accepted. Service on products will not extend the original warranty period.

Email: warranty@innovative-marine.com

PRODUCT INFORMATION

MODEL #
MINIMAX SERIAL #
DATE OF PURCHASE

Please keep your receipt in a safe place to ensure you have this information.

**OWNER'S PRODUCT
INFORMATION**



WWW.INNOVATIVE-MARINE.COM

A Division of

