



REFRIGERATION

SIDE-BY-SIDE

Thermador Side-by-Side Refrigerators offer legendary Thermador performance and quietness in a configuration that puts convenience first. They feature adjustable, frameless glass shelves, which offer impressive capacity while giving easy access to all contents. Plus, with both Professional and Masterpiece® Handles available, they can be customized to perfectly coordinate with all Thermador kitchen appliances.

SIDE-BY-SIDE FEATURES & BENEFITS



ADJUSTABLE FRAMELESS GLASS SHELVES

Elegant, adjustable frameless glass shelves offer increased storage capacity as well as better visibility of all stored items at all levels.



INTEGRATED GALLON DOOR STORAGE

Convenient storage for large containers.



FRESH FOOD COMPARTMENT

This special drawer keeps all varieties of vegetables and fruits fresher longer.



ELECTRONIC CONTROLS

Precision adjustment capability for both the freezer and fresh food compartments.

ADJUSTABLE-TEMPERATURE MEAT-STORAGE DRAWER

Keeps meats and seafoods fresh and ready for preparation.

HOLIDAY MODE

A special holiday mode acts as an auto-shut-off feature to comply with certain religious holiday observances.

FULL-FILTERED INTERNAL ICE MAKER WITH EASY-TO-CHANGE WATER FILTER

Enjoy the pure taste of filtered water and ice.

FULL-FILTERED EXTERNAL WATER AND ICE DISPENSER

Full-filtered external water and ice dispenser.

MODEL OPTIONS

Select from the 42-inch and 48-inch side-by-side refrigerator, with a full-filtered internal ice maker or external ice and water dispenser. Masterpiece® or Professional Handles are available to match our built-in or Professional Series product lines, or choose our custom panel models to integrate beautifully with your cabinetry.

INSTALLATION CONSIDERATIONS

The information in this design guide provides key features, product dimensions, cutouts and installation specifications. Before installing a Thermador Side-by-Side, be sure to verify the cabinet dimensions and electrical connections. Also, always consult with the installation manual packed with the product for complete details before installing.

The refrigerator can be recessed in an opening between cabinets or installed at the end of a cabinet run using a side panel to enclose the refrigerator.

CUSTOM PANELS

The custom panel series features factory-installed, traditional style trim to provide a “framed” look. This series requires the installation of custom panels that are not included. You will need to create the panels yourself or consult a qualified cabinetmaker or carpenter. See dimension drawings on the following pages for panel specifications.

On the custom panel series, you can create a “frameless” look using full-overlay custom panels. You will need to order a Trimless Trim Kit (TRIMKITSXS). This accessory kit contains parts to replace the factory trim. Full-overlay custom panels and handles are required but not included in the accessory kit. Create the panels according to the specifications in the “Full-Overlay Custom Panels” section. You can order a set of Thermador’s handles or select handles from another source. For door clearances, see “Handle and Door Clearances for Custom Panel Series.”

SIDE PANELS

Custom side panels may be needed when not enough space is available to have cabinets on both sides of the refrigerator or when the refrigerator is placed at the end of a cabinet run. For the stainless steel models, you may choose an Inset, Flush, or Recessed Inset panel installation. For the custom panel series, you may choose an Inset or Recessed Inset panel installation.

WARRANTY

Limited two-year warranty—for two years from date of original purchase, we will provide, free of charge, parts and service labor in your home to repair or replace any part of the refrigerator that fails because of a manufacturing defect.

Limited warranty on sealed refrigeration system**; parts and labor (3rd–6th year)

Limited warranty on sealed refrigeration system; parts only (7th–12th year)

See page 294 for additional warranty details.

ELECTRICAL SPECIFICATIONS

Before you move your refrigerator into its final location, it is important to make sure you have the proper electrical connection.

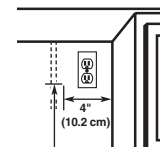
RECOMMENDED GROUNDING METHOD

A 115 Volt, 60 Hz., AC only, 15- or 20-Amp fused, grounded electrical supply is required. It is recommended that a separate circuit serving only your refrigerator be provided. Use an outlet that cannot be turned off by a switch. Do not use an extension cord.

Important: If this product is connected to a GFCI (Ground Fault Circuit Interrupter) protected outlet, nuisance tripping of the power supply may occur, resulting in loss of cooling. Food quality and flavor may be affected. If nuisance tripping has occurred, and if the condition of the food appears poor, dispose of it.

ELECTRICAL LOCATION

Be sure your appliance is properly installed and grounded by a qualified technician. Installation, electrical connections and grounding must comply with all applicable local codes.



A grounded 3 prong electrical outlet should be placed within 4" (10.2 cm) of the right side cabinets or end panel. The water shutoff should be located in the base cabinet on either side of the refrigerator or some other easily accessible area. If the water shutoff valve is not in the cabinets, the plumbing for the water line can come through the floor or the back wall.

WATER LOCATION

All installations must meet local plumbing code requirements.

The water shutoff should be located in the base cabinet on either side of the refrigerator or some other easily accessible area. The right-hand side is recommended. The access hole through the cabinet must be within 1/2" (12.7 mm) of the rear wall.

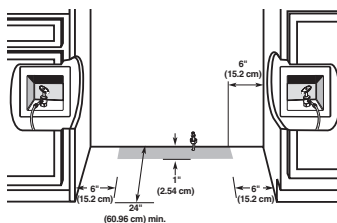
Note: If the water shut off valve is in the back wall behind the refrigerator, it must be at an angle so that the tube is not kinked when the refrigerator is pushed into its final position.

If the water shutoff valve is not in the cabinets, the plumbing for the water line can come through the floor. A 1/2" (12.7 mm) hole for plumbing should be drilled at least 6" (15.2 cm) from the right or left hand side cabinet or panel. On the floor, the hole should be no more than 1" (2.54 cm) away from the back wall.

If additional tubing is needed, use copper tubing and check for leaks. Install the copper tubing only in areas where the household temperatures will remain above freezing.

Do not use a piercing-type or 3/16" (4.76 mm) saddle valve which reduces water flow and clogs more easily.

Note: Your refrigerator dealer has a kit available with a 1/4" (6.35 mm) saddle-type shutoff valve, a union, and copper tubing. Before purchasing, make sure a saddle-type valve complies with your local plumbing codes.



**Sealed refrigeration system includes compressor, evaporator, condenser, dryer/strainer and connecting tubing.

SIDE-BY-SIDE CUSTOM PANELS

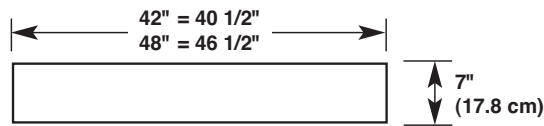
If you plan to install custom wood panels, you will need to create the panels yourself or consult a qualified cabinetmaker or carpenter. See dimension drawings for panel specifications.

Important: Panels weighing more than recommended may cause damage to your refrigerator.

Note: Dimensions shown have a $(\pm) 1/16$ " (1.5 mm) tolerance. Panels that are more than $1/4$ " (6 mm) thick must be routed. If panels are less than $1/4$ " (6 mm) thick, install a filler panel between the doors and decorative panels.

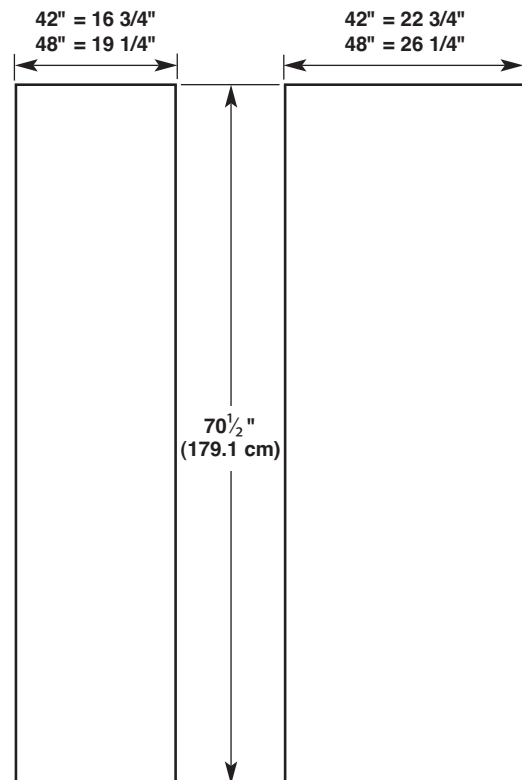
TOP GRILLE PANEL

The top panel should not weigh more than 10 lbs. (4.5 kg) total weight.



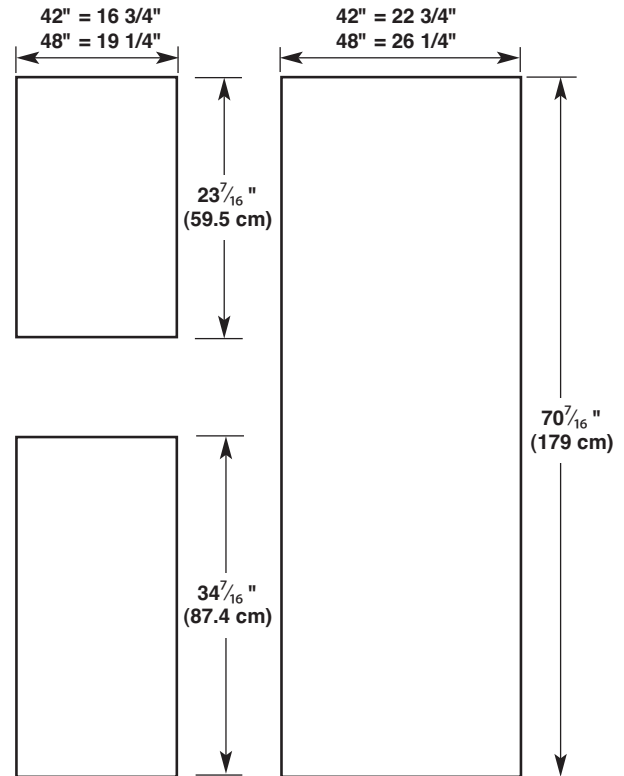
DOOR PANELS FOR NON-DISPENSER MODELS

The freezer panel should not weigh more than 30 lbs. (13.5 kg) total weight. The refrigerator panel should not weigh more than 50 lbs. (23 kg) total weight.



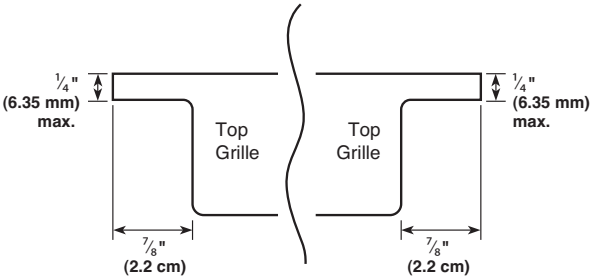
DOOR PANELS FOR DISPENSER MODELS

The two freezer panels combined should not weigh more than 30 lbs. (13.5 kg) total weight. The refrigerator panel should not weigh more than 50 lbs. (23 kg) total weight.

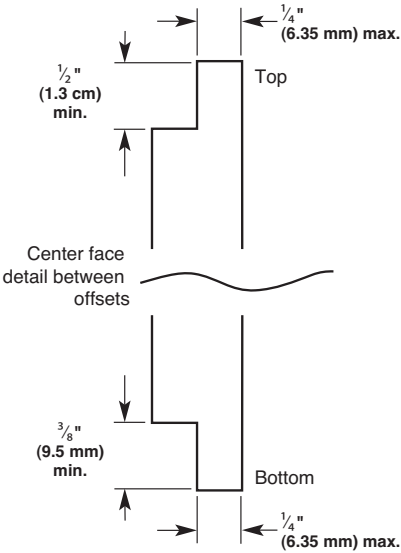


TOP GRILLE PANEL – ROUTING REQUIREMENTS

Top and bottom edges of the top panel should be edge routed $\frac{1}{2}$ " (1.3 cm) and $\frac{3}{8}$ " (9.5 mm), respectively. Both ends should be edge routed $\frac{7}{8}$ " (2.2 cm) as shown.



NOTE: When creating a panel with face detail, the offsets will be hidden and must be accounted for in order to center the detail in the top grille.

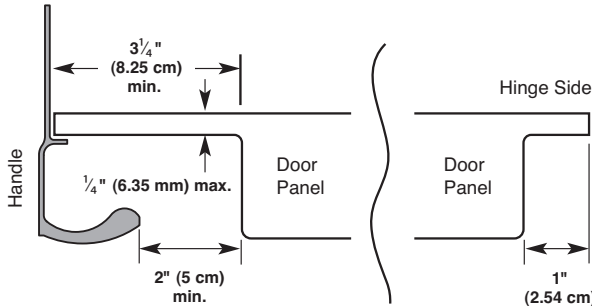


DOOR PANELS – ROUTING REQUIREMENTS

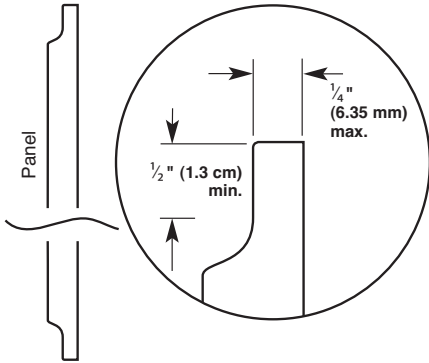
If an extended handle kit is used (EXHANDSXS), then routing the handle side of the panels is not required.

If the standard handle is used, route the entire handle side of both panels $3 \frac{1}{4}$ " (8.25 cm) to allow for finger clearance. Then route the other sides 1" (2.54 cm).

STANDARD HANDLE – TOP VIEW



DOOR PANEL - SIDE VIEW

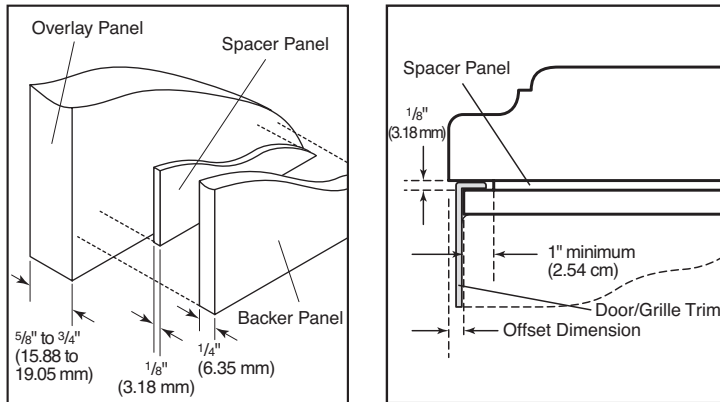


SIDE-BY-SIDE FULL-OVERLAY CUSTOM PANELS

Custom overlay panels allow you to blend the exterior of your refrigerator into the overall kitchen décor, and to use custom handles for additional design flexibility.

Note: To use full-overlay custom panels, a Trimless Trim Kit for Side by Sides is required (TRIMKITSXS). Full-overlay custom panels and handles are required but not included. Create the panels according to these specifications.

The custom panels must have backer panels attached in order to mount them to the refrigerator. It is most common to work with three panels, as shown in the following graphic: a decorative overlay panel, a $\frac{1}{8}$ " (3.18 mm) spacer panel or spacer strips and a $\frac{1}{4}$ " (6.35 mm) backer panel.

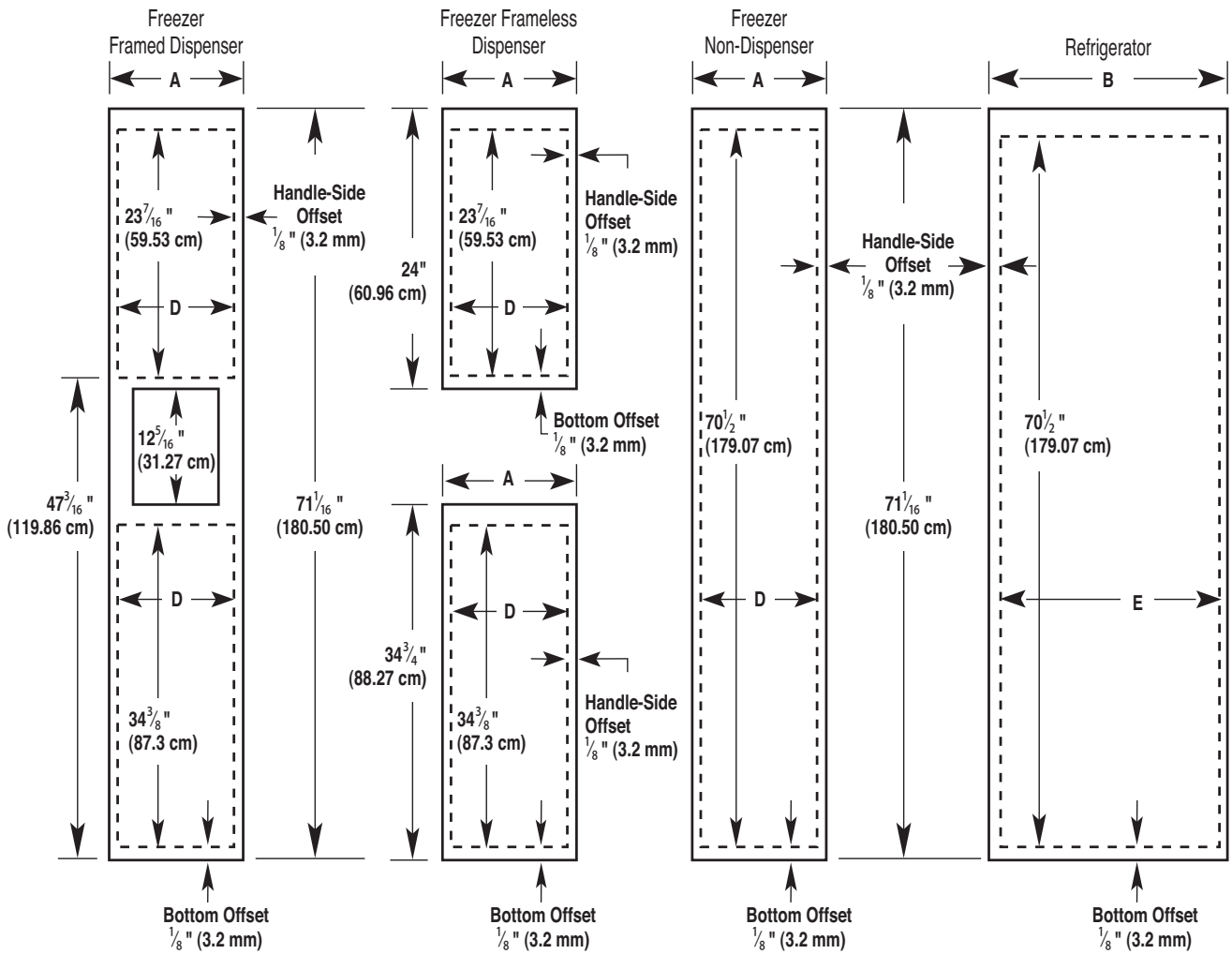
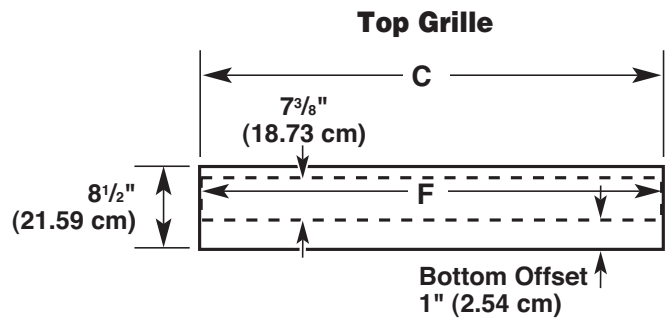


In some cases, your cabinet manufacturer may choose to work with one panel routed for the different dimensions. Follow these panel dimension and placement instructions to be sure that the custom overlay panels will fit properly.

Important:

- The total weight of the refrigerator door overlay panel cannot exceed 50 lbs. (23 kg).
- The total weight of the freezer door overlay panel cannot exceed 30 lbs. (13.5 kg).
- The total weight of the top grille overlay panel cannot exceed 10 lbs. (4.5 kg).

To minimize panel weight, you may use 2" (5.08 cm) spacer strips around the perimeter in place of full-sheet solid spacer panels. The spacer strips must be set in at least 1" (2.54 cm) from the top, bottom and sides edges of the backer panel. If you use spacer strips, it is also recommended that you use two 2" (5.08 cm) strips horizontally centered for added support.



DECORATIVE OVERLAY PANELS

Model	A	B	C
42-Inch (106 cm)	17 1/8" (43.50 cm)	23 1/8" (58.74 cm)	41 3/8" (105.09 cm)
48-Inch (122 cm)	19 5/8" (49.85 cm)	26 5/8" (67.63 cm)	47 3/8" (120.33 cm)

BACKER PANELS

Model	D	E	F
42-Inch (106 cm)	16 15/16" (43.50 cm)	22 15/16" (58.26 cm)	40 1/2" (102.87 cm)
48-Inch (122 cm)	19 7/16" (49.37 cm)	26 7/16" (67.15 cm)	46 1/2" (118.11 cm)

SIDE-BY-SIDE CUSTOM PANEL SERIES SIDE PANELS

Custom side panels may be needed when not enough space is available to have cabinets on both sides of the refrigerator or when the refrigerator is placed at the end of a cabinet run. You may choose an Inset or Recessed Inset panel installation.

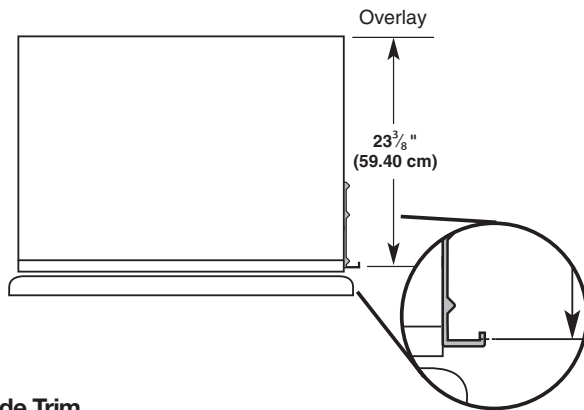
REFRIGERATOR AND SIDE TRIM DIMENSIONS

The width and height of a side panel are determined by the type of installation you are planning.

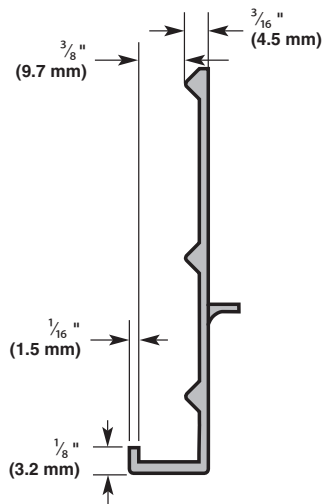
Notes:

- The dimensions shown are actual product dimensions and may not reflect the needed installation dimensions.
- The side panel should be a minimum of 1/2" (1.27 cm) thick to avoid warping.
- If the opening depth is 25" (63.5 cm) or more, you may want to install a support board on rear wall.

Refrigerator

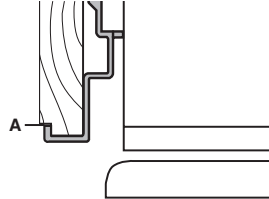


Side Trim



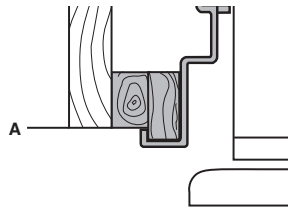
INSET INSTALLATION DIMENSIONS

1. Measure the distance from point A (as shown) to the back wall. Add $\frac{1}{32}$ " (0.8 mm) to this measurement to allow the side panel to fit into the trim.
2. If the panel is more than $\frac{3}{8}$ " (9.5 mm) thick, route the front edge to allow the side panel to fit into the trim.



RECESSED INSET INSTALLATION DIMENSIONS

1. Measure the distance from point A (as shown) to back wall.
2. Rout the front edge of the support board or attach a $\frac{3}{8}$ " (9.5 mm) board to hold the panel in the cabinet side trim.



Custom side panels may be needed when not enough space is available to have cabinets on both sides of the refrigerator or when the refrigerator is placed at the end of a cabinet run. You may choose an Inset, Flush, or Recessed Inset panel installation.

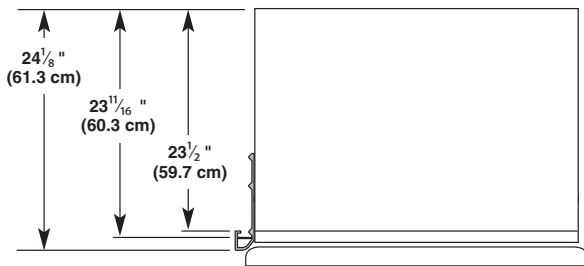
REFRIGERATOR AND SIDE TRIM DIMENSIONS

The width and height of a side panel are determined by the type of installation you are planning.

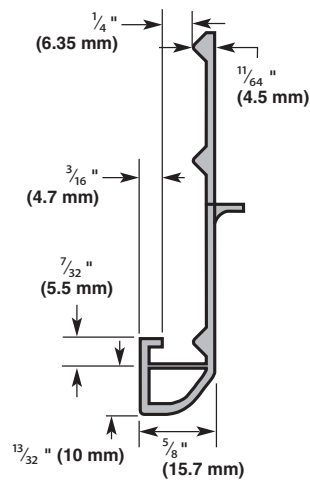
Notes:

- The dimensions shown are actual product dimensions and may not reflect the needed panel installation dimensions.
- The side panel should be a minimum of 1/2" (1.27 cm) thick to avoid warping.
- If the opening depth is 25" (63.5 cm) or more, you may want to install a support board on rear wall.

Refrigerator

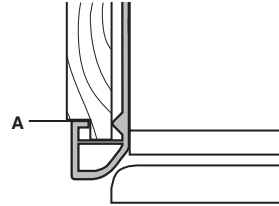


Side Trim



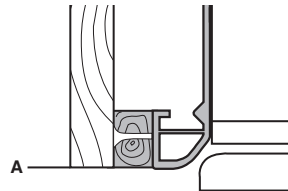
INSET INSTALLATION DIMENSIONS

1. Measure the distance from point A (as shown) to the back wall. Add 7/32" (5.6 mm) to this measurement to allow the side panel to fit into the trim.
2. If the panel is more than 1/4" (6.35 mm) thick, route the front edge to allow the side panel to fit into the trim.



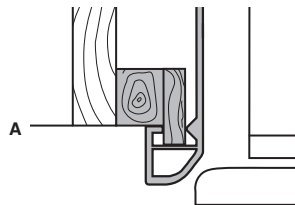
FLUSH INSTALLATION DIMENSIONS

1. Measure the distance from point A (as shown) to the back wall.
2. Attach the support board with a screw or adhesive that is compatible with aluminum and wood.



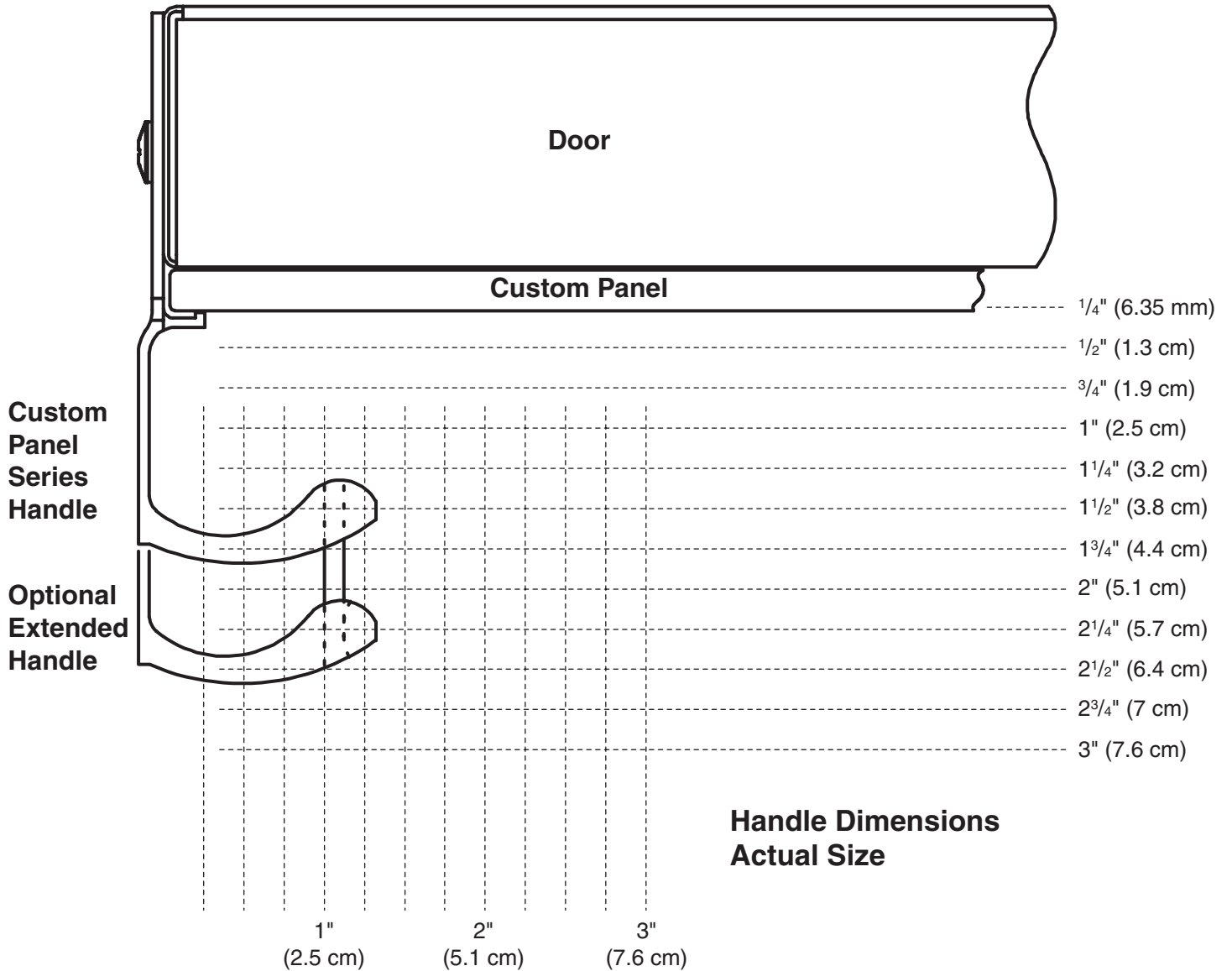
RECESSED INSET INSTALLATION DIMENSIONS

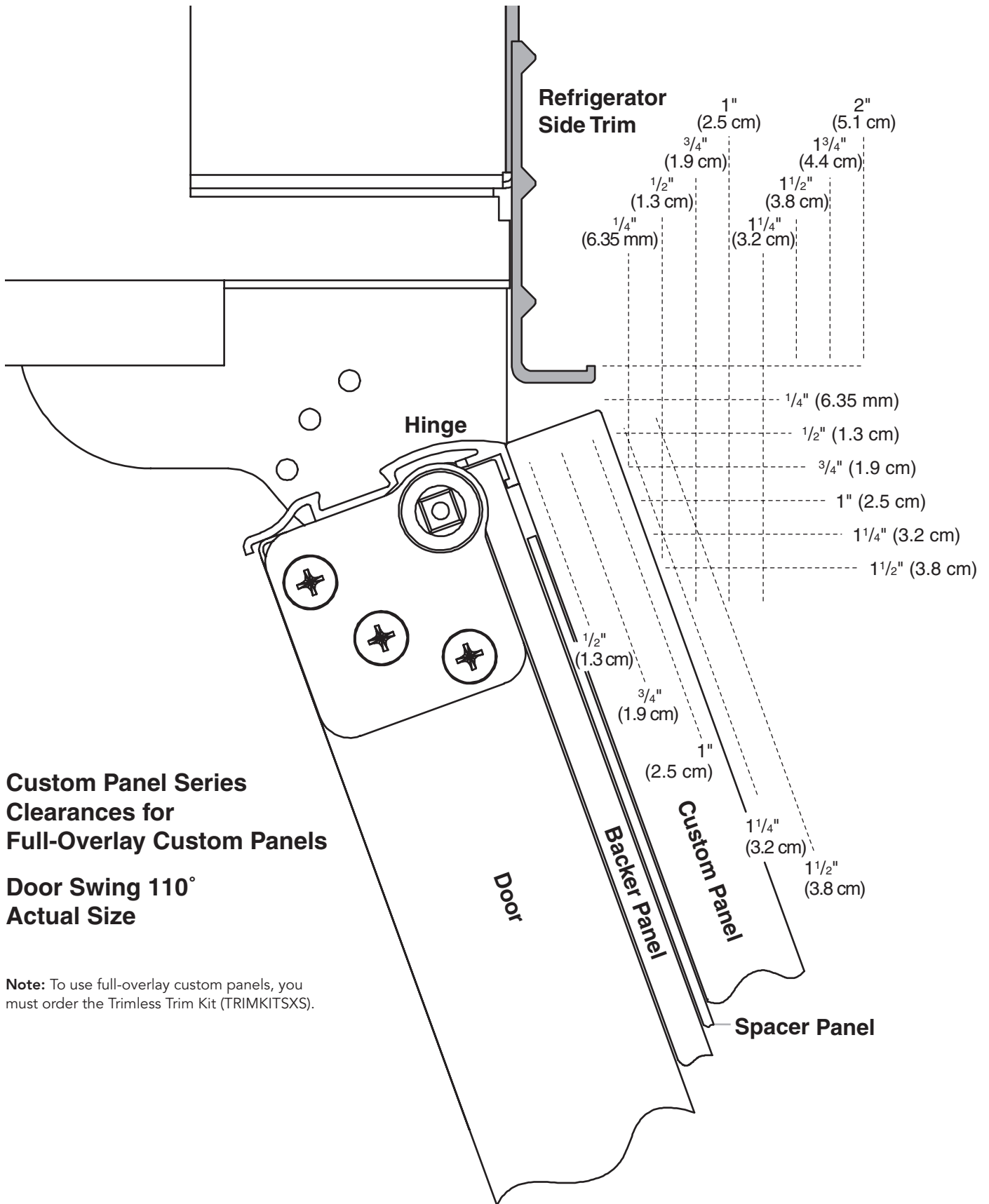
1. Measure the distance from point A (as shown) to the back wall.
2. Route the front edge of the support board or attach a 1/4" (6.35 mm) board to hold the panel in the cabinet side trim.



SIDE-BY-SIDE HANDLE AND DOOR CLEARANCES FOR CUSTOM PANELS

If you are installing custom panels, the panels must allow certain clearances for the handles and for the doors to swing open. An Extended Handle Kit (EXTHANDSXS) may be required if you install a custom raised panel.





**Custom Panel Series
Clearances for
Full-Overlay Custom Panels**

**Door Swing 110°
Actual Size**

Note: To use full-overlay custom panels, you must order the Trimless Trim Kit (TRIMKITSXS).

REFRIGERATION 42-INCH SIDE-BY-SIDE REFRIGERATOR

Models: KBUIT4255E, KBUIT4265E, KBUIT4275E, KBUDT4255E, KBUDT4265E, KBUDT4275E



Stainless steel side-by-side with internal ice maker.

KBUIT4255E
Masterpiece® handles

KBUIT4265E
Professional Series Handles



Stainless steel side-by-side with full-filtered external ice and water dispenser.

KBUDT4255E
Masterpiece® handles

KBUDT4265E
Professional Series Handles



Custom panel side-by-side with internal ice maker.

KBUIT4275E
Masterpiece® and Professional Series Handles can be ordered separately.



Custom panel side-by-side with full-filtered external ice and water dispenser.

KBUDT4275E
Masterpiece® and Professional Series Handles can be ordered separately.

SPECIFICATIONS

Total Capacity (cu. ft.)	25.2
Refrigerator Capacity (cu. ft.)	16
Freezer Capacity (cu. ft.)	9.2 (KBUDT) 9.3 (KBUIT)
Product Width	41"
Product Height	83 1/8"
Product Depth	25"
Cutout Width	41 1/2" – 41 3/4"
Cutout Height (Min–Max)	83 1/2" – 84 3/8"
Cutout Depth	24"
Energy Consumption	611.01 kWh w/Dispenser 561.01 kWh w/o Dispenser
Electrical Supply	115V / 60Hz / 6.9 Amp
Power Cord Included	120V-3 prong
Shipping Weight (lbs.)	573 – 613

INSTALLATION OPTIONS

Specifications in the planning pages provide dimensions and installation detail for the stainless steel models as well as installation detail for the custom panel series.

CUSTOM PANELS

The custom panel series features factory-installed, traditional style trim to provide a "framed" look. This series requires the installation of custom panels that are not included. You will need to create the panels yourself or consult a qualified cabinetmaker or carpenter. See dimension drawings on pages 264-271 for panel specifications.

On the custom panel series, you can create a "frameless" look using full-overlay custom panels. You will need to order a Trimless Trim Kit (TRIMKITSXS). This accessory kit contains parts to replace the factory trim. Full-overlay custom panels and handles are required but not included in the accessory kit. Create the panels according to the specifications in the "Full-Overlay Custom Panels" section. You can order a set of Thermador's handles or select handles from another source. For door clearances, see "Handle and Door Clearances for Custom Panel Series."

SIDE PANELS

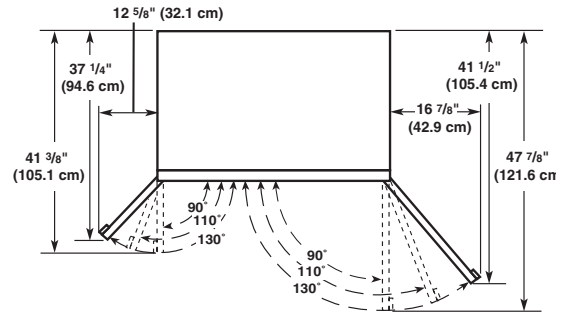
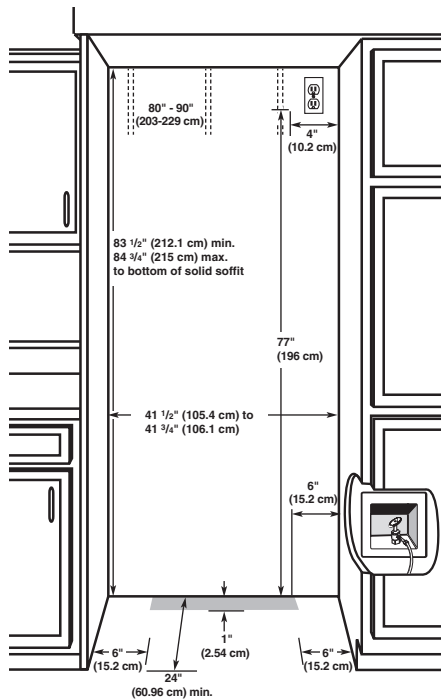
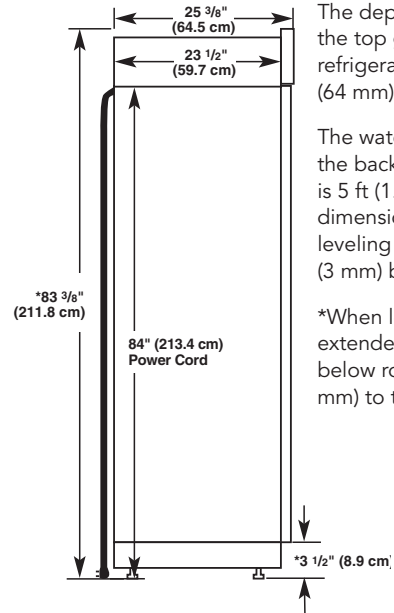
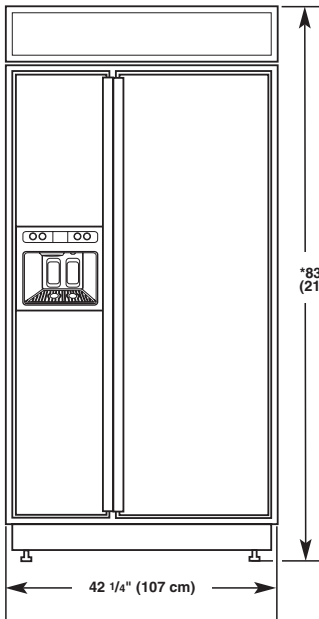
Custom side panels may be needed when not enough space is available to have cabinets on both sides of the refrigerator or when the refrigerator is placed at the end of a cabinet run. For the stainless steel models, you may choose an Inset, Flush, or Recessed Inset panel installation. For the custom panel series, you may choose an Inset or Recessed Inset panel installation.



All refrigerators are UL and CUL approved.

REFRIGERATION 42-INCH SIDE-BY-SIDE REFRIGERATOR

Models: KBUIT4255E, KBUIT4265E, KBUIT4275E, KBUIT4255E, KBUIT4265E, KBUIT4275E



The location must permit both doors to open to a minimum of 90°. Allow 4 1/2" (11.4 cm) minimum space between the side of the refrigerator and a corner wall.

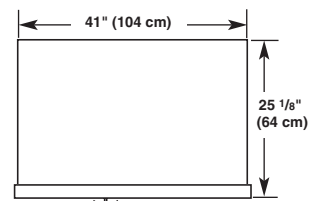
NOTE: More clearance may be required if you are using overlay panels or custom handles.

To avoid tipping during use, the solid soffit must be within 1" (2.5 cm) maximum above the refrigerator. If the solid soffit is higher than 1" (2.5 cm) or one is not available, then the refrigerator must be braced.

If the anti-tip boards are needed, they must be attached to the rear wall studs 80" to 90" (203 to 229 cm) above the floor.

Note: A clearance of 1/2" (1.3 cm) must be maintained above the top grille in order for the top grille to be removed.

A grounded 3 prong electrical outlet should be placed within 4" (10.2 cm) of the right side cabinets or end panel. The water shutoff should be located in the base cabinet on either side of the refrigerator or some other easily accessible area. If the water shutoff valve is not in the cabinets, the plumbing for the water line can come through the floor or the back wall.



REFRIGERATION 48-INCH SIDE-BY-SIDE REFRIGERATOR

Models: KBUIT4855E, KBUIT4865E, KBUDT4855E, KBUDT4865E, KBUIT4875E, KBUDT4875E



Stainless steel side-by-side with internal ice maker.

KBUIT4855E
Masterpiece® Handles

KBUIT4865E
Professional Series handles



Stainless steel side-by-side with full-filtered external ice and water dispenser.

KBUDT4855E
Masterpiece® Handles

KBUDT4865E
Professional Series handles



Custom panel side-by-side with internal ice maker.

KBUIT4875E
Masterpiece® and Professional Series Handles can be ordered separately.



Custom panel side-by-side with full-filtered external ice and water dispenser.

KBUDT4875E
Masterpiece® and Professional Series Handles can be ordered separately.

SPECIFICATIONS

Total Capacity (cu. ft.)	29.6
Refrigerator Capacity (cu. ft.)	18.8
Freezer Capacity (cu. ft.)	10.8
Product Width	47"
Product Height	83 1/8"
Product Depth	25"
Cutout Width	47 1/2" – 47 3/4"
Cutout Height (Min–Max)	83 1/2" – 84 3/8"
Cutout Depth	24"
Energy Consumption	657 kWh with Dispenser 580 kWh without Dispenser
Electrical Supply	115V / 60Hz / 6.9 Amp
Power Cord Included	120V-3 prong
Shipping Weight (lbs.)	573 – 613

INSTALLATION OPTIONS

Specifications in the planning pages provide dimensions and installation detail for the stainless steel models as well as installation detail for the custom panel series.

CUSTOM PANELS

The custom panel series features factory-installed, traditional style trim to provide a "framed" look. This series requires the installation of custom panels that are not included. You will need to create the panels yourself or consult a qualified cabinetmaker or carpenter. See dimension drawings on pages 264-271 for panel specifications.

On the custom panel series, you can create a "frameless" look using full-overlay custom panels. You will need to order a Trimless Trim Kit (TRIMKITSXS). This accessory kit contains parts to replace the factory trim. Full-overlay custom panels and handles are required but not included in the accessory kit. Create the panels according to the specifications in the "Full-Overlay Custom Panels" section. You can order a set of Thermador's handles or select handles from another source. For door clearances, see "Handle and Door Clearances for Custom Panel Series."

SIDE PANELS

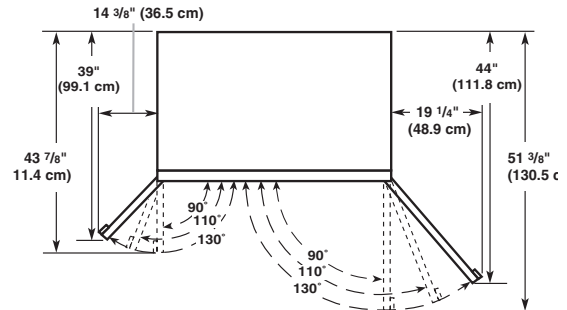
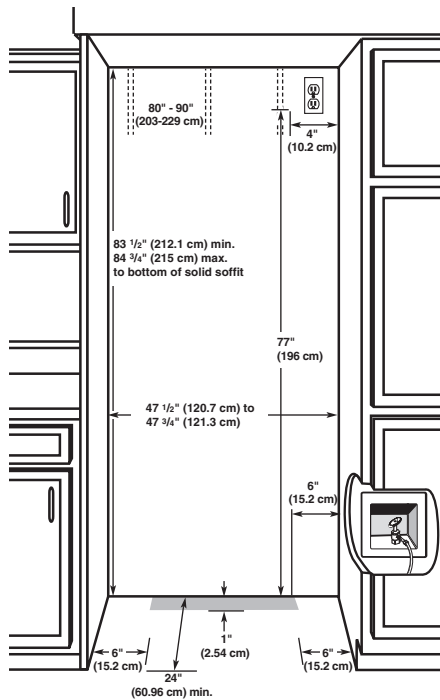
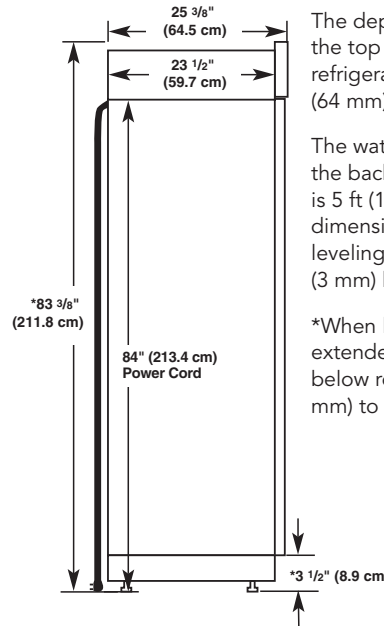
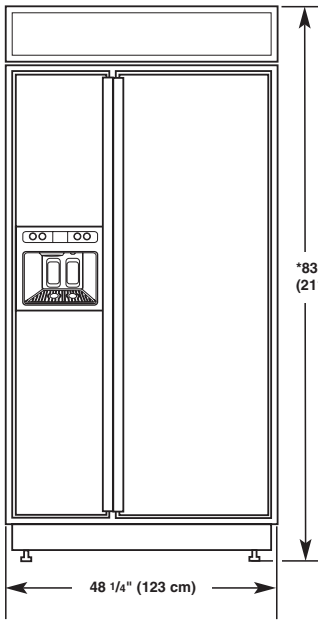
Custom side panels may be needed when not enough space is available to have cabinets on both sides of the refrigerator or when the refrigerator is placed at the end of a cabinet run. For the stainless steel models, you may choose an Inset, Flush, or Recessed Inset panel installation. For the custom panel series, you may choose an Inset or Recessed Inset panel installation.



All refrigerators are UL and CUL approved.

REFRIGERATION 48-INCH SIDE-BY-SIDE REFRIGERATOR

Models: KBUIT4855E, KBUIT4865E, KBUIT4875E, KBUDT4855E, KBUDT4865E, KBUDT4875E



The location must permit both doors to open to a minimum of 90°. Allow 4 1/2" (11.4 cm) minimum space between the side of the refrigerator and a corner wall.

NOTE: More clearance may be required if you are using overlay panels or custom handles.

To avoid tipping during use, the solid soffit must be within 1" (2.5 cm) maximum above the refrigerator. If the solid soffit is higher than 1" (2.5 cm) or one is not available, then the refrigerator must be braced.

If the anti-tip boards are needed, they must be attached to the rear wall studs 80" to 90" (203 to 229 cm) above the floor.

Note: A clearance of 1/2" (1.3 cm) must be maintained above the top grille in order for the top grille to be removed.

A grounded 3 prong electrical outlet should be placed within 4" (10.2 cm) of the right side cabinets or end panel. The water shutoff should be located in the base cabinet on either side of the refrigerator or some other easily accessible area. If the water shutoff valve is not in the cabinets, the plumbing for the water line can come through the floor or the back wall.

