



Model MX-13000



Pressure Sealer

User Manual

Greeting

Thank you for purchasing PAITEC USA products.
This manual is prepared to provide guidelines on how to properly operate and maintain
MX13000

Copyright

Any of the contents should not be copied, re-printed or translated by other languages
without PAITEC USA approval.

Notice

Caution: Physical injury and serious mechanical damage will occur when
disregarding this information.



Important: This information is contained with useful information and guidance.



Reference: This information guides the chapter which detailed contents.



Table of Contents

Chapter 1 - Installation

- 1-1 Installation Environment
- 1-2 Unpacking
- 1-3 Removing Safety Tapes and Styrofoam
- 1-4 Power Connection
- 1-5 Power Fan Installation
- 1-6 Tray Guide Installation
- 1-7 Online Interface Installation
- 1-8 Conveyor Installation

Chapter 2 - Before Operating

- 2-1 Identifying Parts
- 2-2 Caution for Installation

Chapter 3 - Preparing for Operation

- 3-1 Paper Size
- 3-2 Loading the Forms
- 3-3 Fold Setting
- 3-4 Fine Adjustment of Folding Position
- 3-5 Conveyor Wheel Setup

Chapter 4 - Handling Errors

- 4-1 Error Message
- 4-2 Handling Paper Jams

Chapter 5 - Maintenance

- 5-1 Exchanging Friction Reverse Roller
- 5-2 Cleaning Rollers

Chapter 6 - Troubleshooting

- 6-1 No Power
- 6-2 Incorrect Folding
- 6-3 Power On, but No Start
- 6-4 Frequent Double or Multiple Sheet Feeding

Chapter 7 - Conveyor

- 7-1 Conveyor Installation

Chapter 1 - Installation

1-1 Installation Environment

1. Input power: 110V (Max 5A)
2. Machine size (mm): 17" x 24" x 15" (without conveyor)
3. Machine weight: 143 lbs.
 - Since the weight of a product is heavy, please use appropriate table for putting it on.
 - Please use folded power cable.

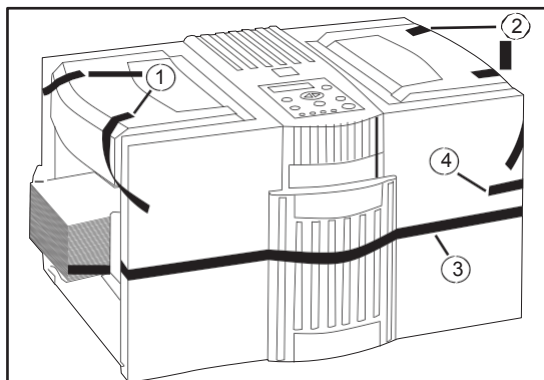
1-2 Unpacking

Please check if all of the following parts are included in the box.

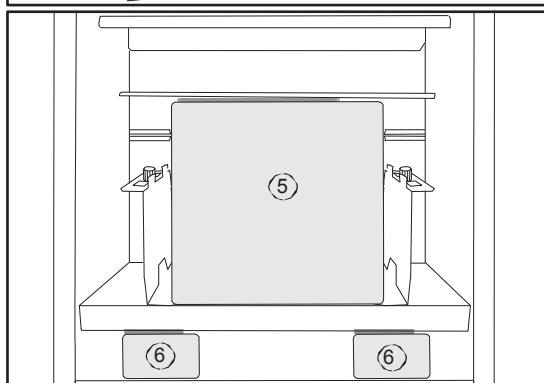
- | | |
|--|---|
| - Main body | - Inline interface unit and guide |
| - Power cable | - Power infeed fan, power adaptor and fix bracket |
| - User's manual | - Spare fuse (8A) |
| - Jam removal handle and spare handle tips | |
| - Tray guide | |

1-3 Removing Safety Tape and Styrofoam Location

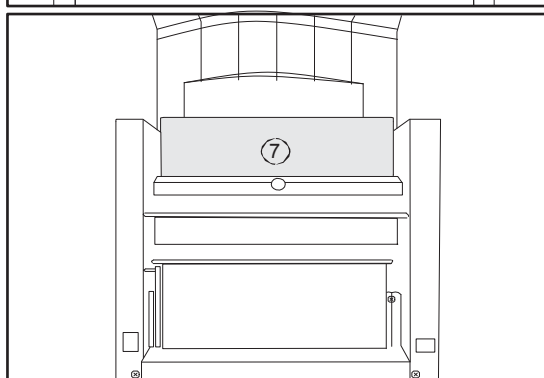
Please remove all safety tapes and Styrofoam before operation.



1. Safety cover of feeding unit (2ea)
2. Safety cover of upper cassette (2ea)
3. Lower cassette cover (2ea)
4. Upper cassette (1ea)



5. Paper tray (upper/1ea)
6. Paper tray (lower/2ea)

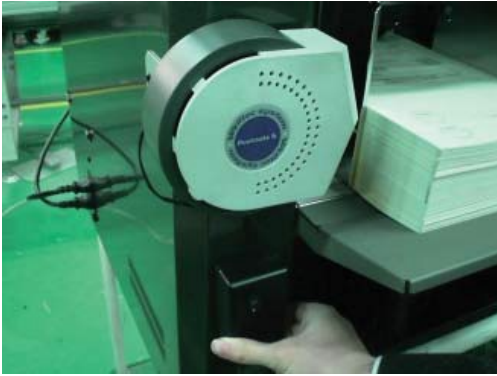


7. Upper cassette (1ea)

1-4 Power Connection

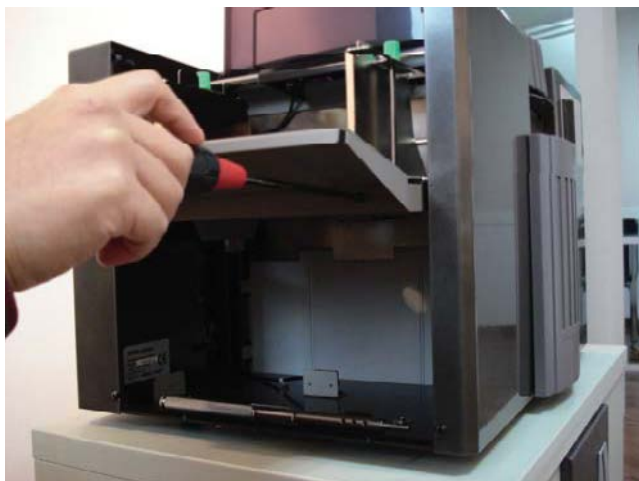
Please refer to the label for electric information which is located at the back side of the machine. When the power cable is properly connected, please switch the machine on and check whether 'Ready' sign is displayed on the display panel. If not, please contact your local dealer for service.

1-5 Power Fan Installation



Please attach the power infeed fan at the rear cover like the picture above. The power infeed fan allows smoother feeding of the forms.

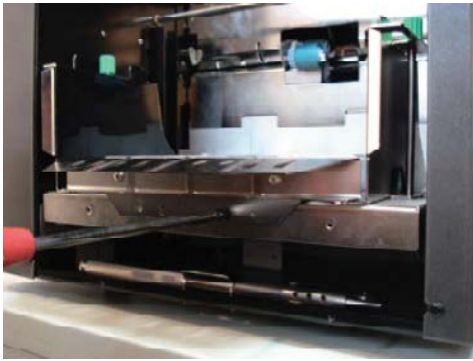
1-6 Tray Guide Installation



Please install like the left picture by using enclosed tray guide and two fixing screws.

Tray guide has to be removed when using the printer online.

1-7 Inline Interface Installation



Picture A



Picture B

1. Please prepare enclosed inline interface guide and a guide clip.
2. Remove a tray guide if it is set up.
3. Install like the left pictures after moving the tray down and fix it by using two fixing screws.
4. Install a guide clip like picture B.
5. Change to inline mode by using 'machine set up mode'. (Please see below)

Inline Set Up Mode Installation (Optional)

By pressing set-up button for three seconds, users can access into setup program mode

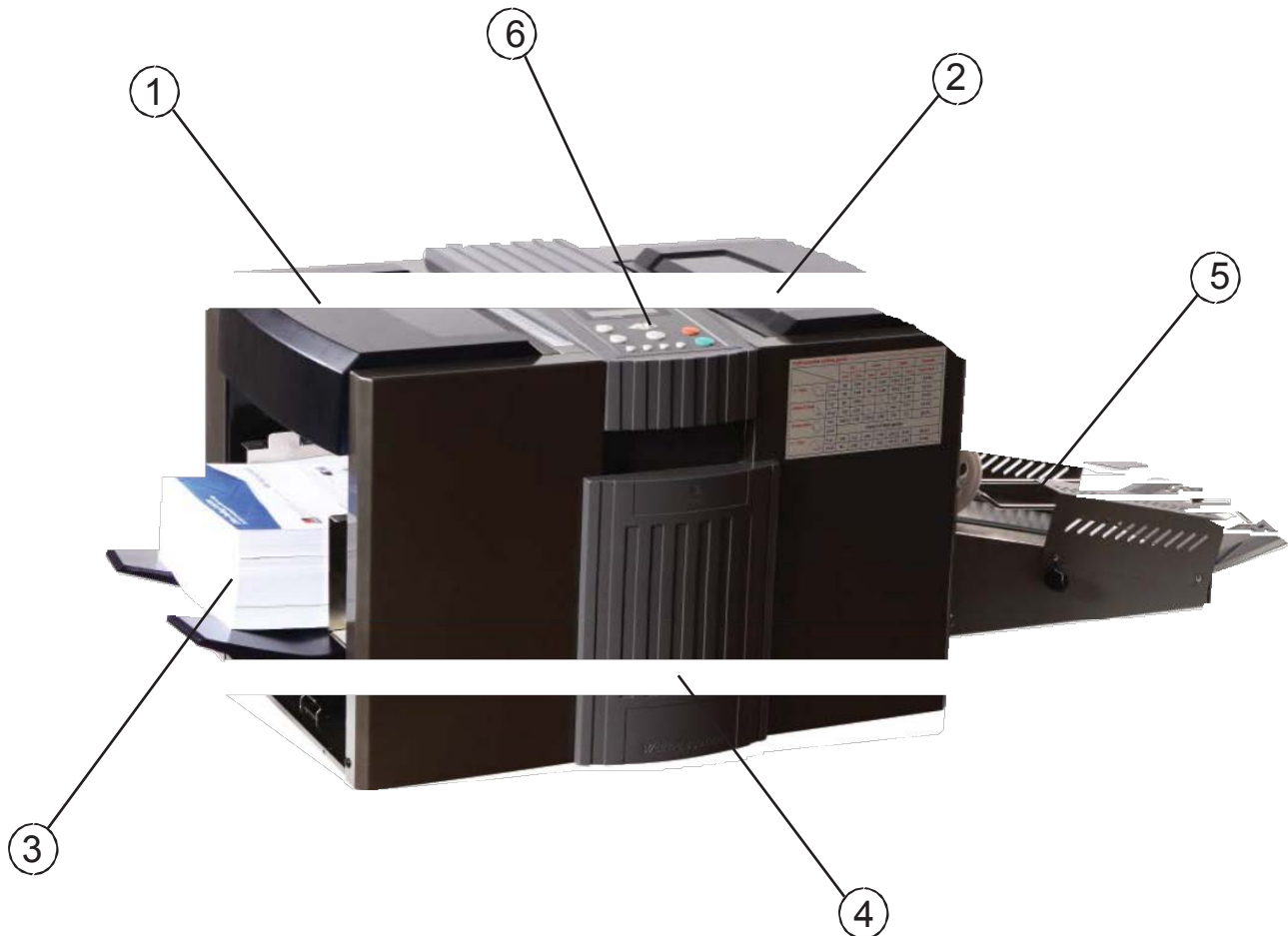
1. Inline select mode: Users are able to use printer inline button in operation panel when inline mode is on.
2. Inline LCT cover mode: In the inline mode, it able to recognize whether feeding unit safety cover is opened, closed or ignore it so it is possible to set up for users' environment. (This function is needed when printing security documents.)
3. Initialize: It makes the machine to be initialized to set-up condition when first delivered from a warehouse. (Factory default)

1-8 Conveyor Installation

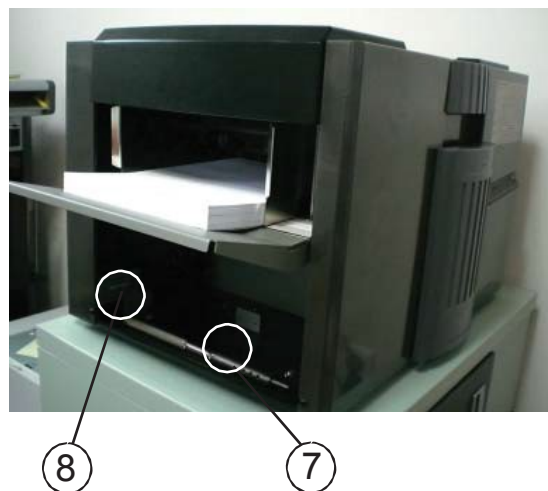
Please refer to page 28 for proper conveyor installation.

Chapter 2 - Before Operating

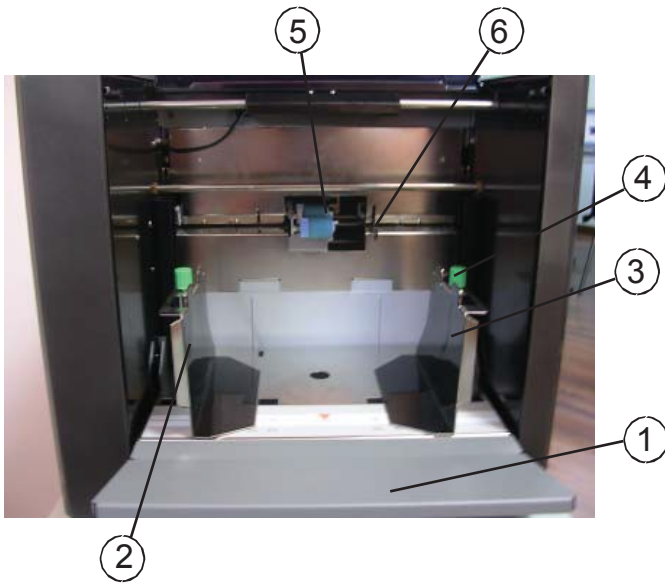
2-1 Identifying Parts and Functions



1. Feeding Unit Safety Cover
2. Upper Fold Cassette Safety Cover
3. Large Capacity Tray
4. Lower Fold Cassette
5. Conveyor
6. Control Panel
7. Jam Removal Handle
8. Serial Number Label

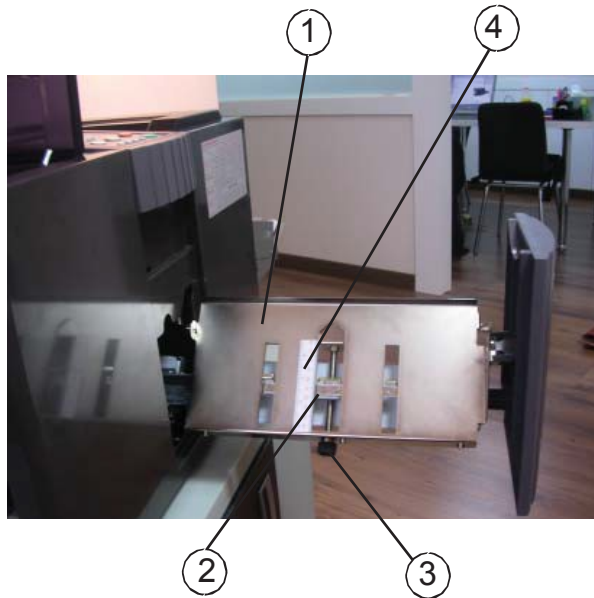


Large Capacity Tray



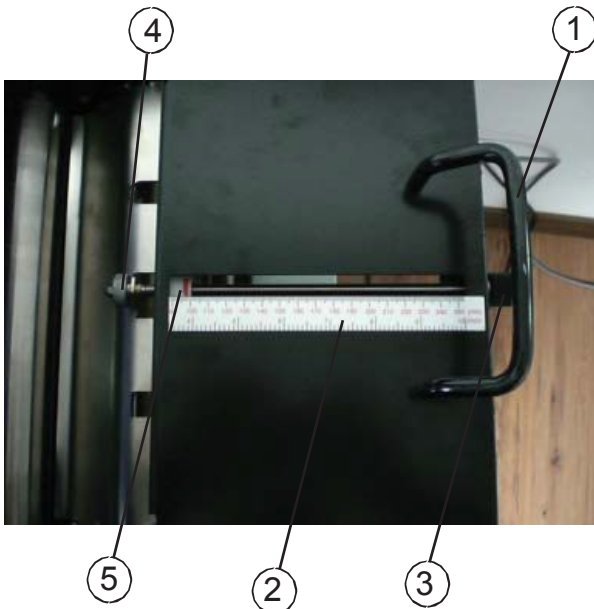
1. Tray Guide
2. Feed Guide (Left)
3. Feed Guide (Right)
4. Locking Knob
5. Infeed Roller
6. Tray Level Sensor

Lower Cassette



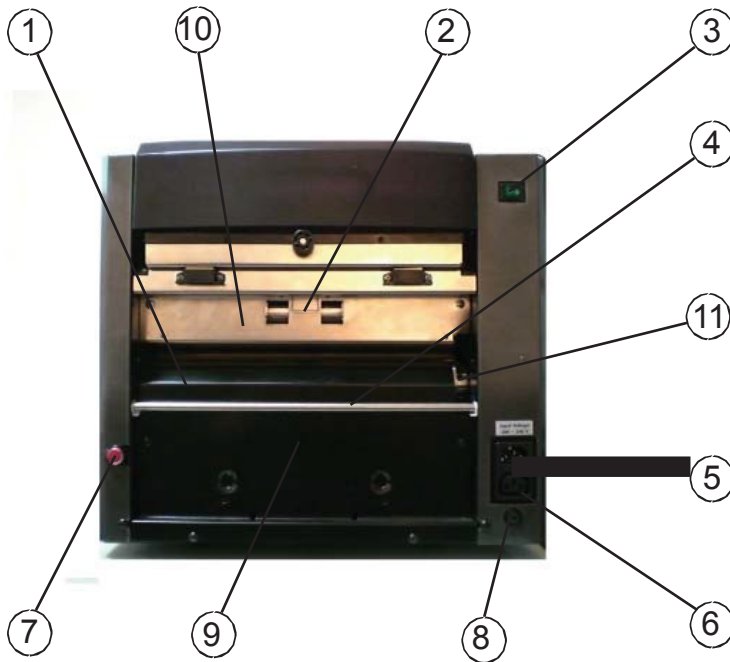
1. Lower Cassette
2. Stopper
3. Stopper Adjustment Knob
4. Folding Scale Label
5. Stopper Locking Knob

Upper Cassette



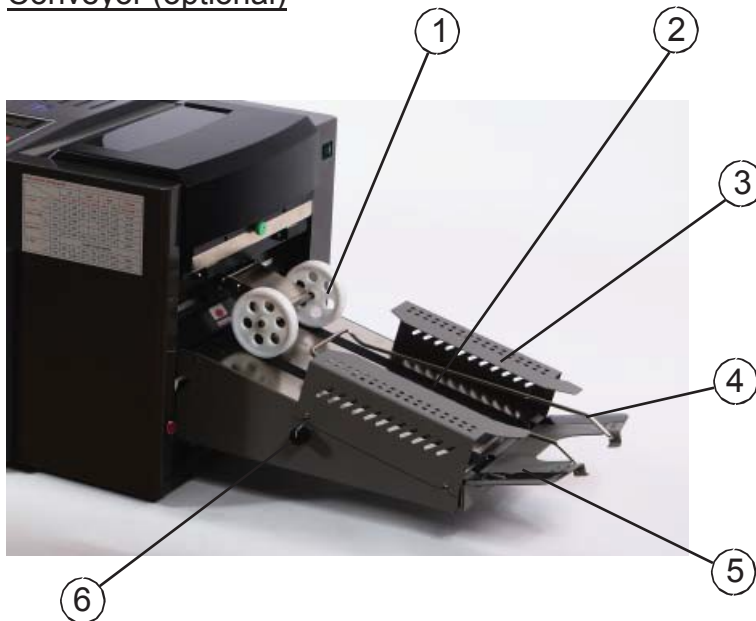
1. Upper Cassette Handle
2. Folding Scale Label
3. Stopper Adjustment Knob
4. Stopper Locking Knob
5. Fold Position Marker

Exit Side



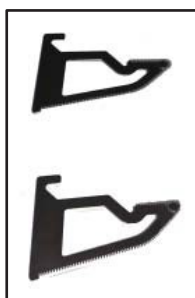
1. Press Rollers
2. Conveyor Wheel Holder
3. Power Switch
4. Conveyor Shaft
5. Main Power Socket
6. Conveyor Power Socket
7. Manual Feed Button
8. Fuse Socket
9. Lower Press Roller Cover
10. Upper Press Roller Cover
11. Jam Removal Holes

Conveyor (optional)

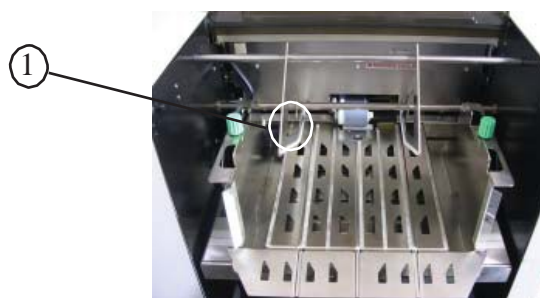


1. Conveyor Wheel
2. Conveyor
3. Conveyor Side Guide
4. Guide Wire
5. Tray
6. Speed Controller

Inline interface Guide (optional)



Guide Clip

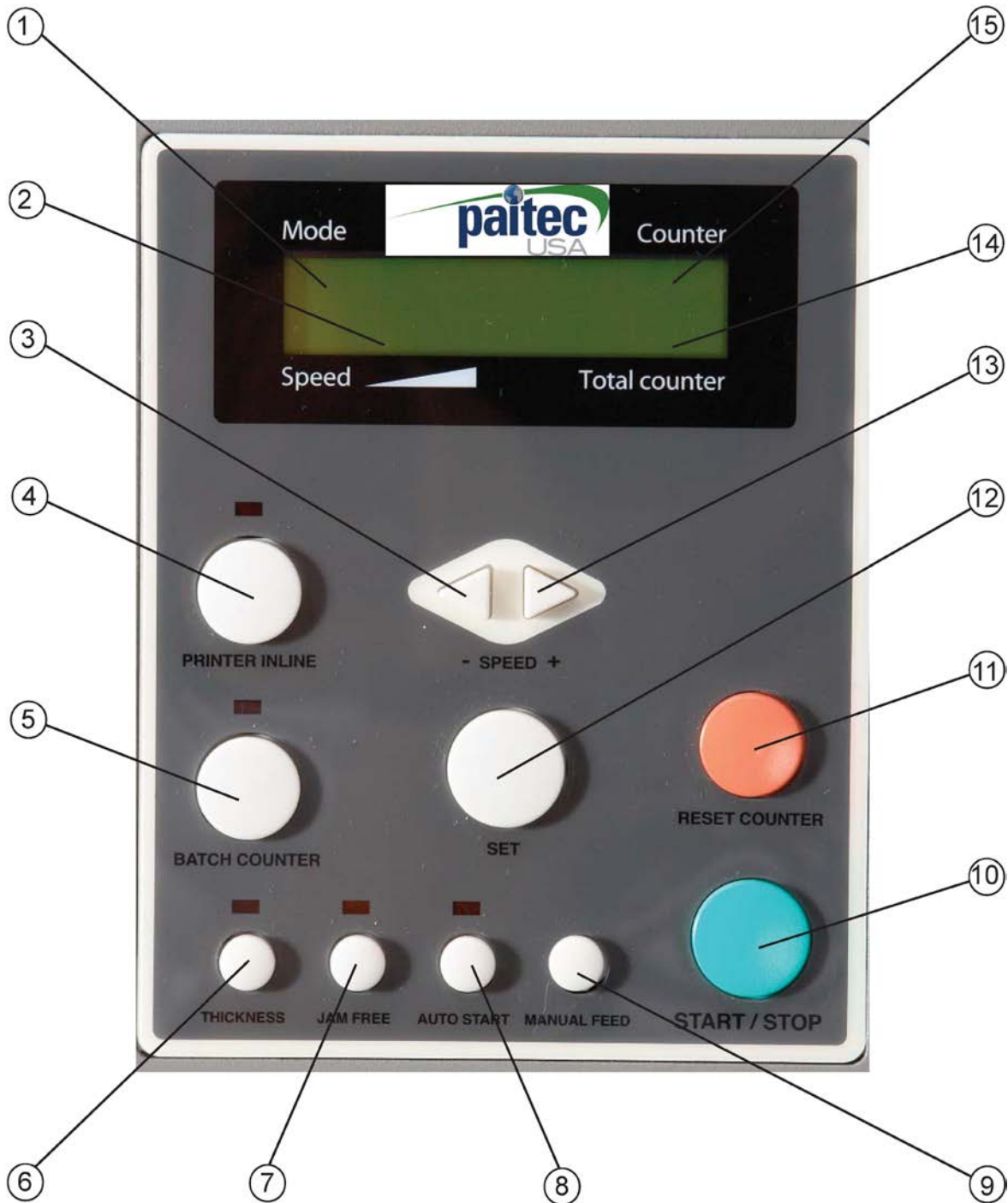


1. Guide Clip



Installed Interface Unit

Name and Function of Each Button



1. Mode - Displays current status of the machine.
2. Speed - Displays the machine's current set speed.
3. (-) Button - Decreases the speed or value.
4. Printer Inline Button - Changes to online/offline mode. (operable only at online mode)
5. Batch Counter Button - You can set the number of forms that you wish to process and have the machine stop automatically until you press the start button. For example, if you set the batch counter at 100, after 100 forms are processed, the machine will automatically stop and will not start until you press the start button.
 - Press the batch counter button and the light will blink.
 - Change the displayed value by using +/- button and when ready, press the set button.
 - When changing the value, press the batch counter button to increase the value by 50 up to 500.
 - This setting is not stored after rebooting the machine.
6. Thickness Sensor Button - Thickness sensor function allows you to prevent any serious paper jams caused by double feeding or multiple sheet feeding.
 - Press the thickness sensor button and one form will feed.
 - The form stops and is scanned by the thickness sensor.
 - After the reading is completed, the form then processes through.
 - The LED light will remain on and your desired thickness is stored in the setting.
 - Feeding of any forms outside of the calibrated setting will stop the machine from further processing while using this function.

 Reference

- Whenever you change to a different form, please reset the thickness value by following the steps indicated above.
- Using the same setting with a different paper will stop the machine as the form will be recognized as a double feed.

7. Jam Free Button - Clears any jam in the press roller unit.

 Important

- Jam free function will not clear all jams. If a jam is not cleared with this function, please refer to the next chapter on handling errors.

8. Auto Start Button - You can choose to separate your job by using the 'Auto Start' function. You can simply set your desired volume per run and the time interval in between run. For example, if you set the counter at 50 and auto start at 5 seconds, the machine will run 50 forms and stops for five seconds until it starts again to process 50 forms and so on. (Available only when using batch counter function)

- Press the auto start button while the batch counter button is on.
- Change the time interval by using +/- button from 1 to 99.
- After the setting is ready, press the set button to store the setting.

9. Manual Feed Button - Allows the processing of single damaged forms.

- Press the manual feed button on the control panel.
- Place the folded form at the entrance of the exit press rollers on the conveyor.
- Then press the second manual button (red button located at the front cover).



⚠ Important

- Please do not release the manual feed button on the control panel until the job is completed.
- In case you release the manual feed button and the panel reads 'stacker full', press the jam free button to clear the form from the press rollers.

10. Start/Stop Button - Start or stops the machine.

11. Reset Counter Button - Clears the count on the display panel.

12. Set Button - Stores any value or setting.

13. (+) Button - Increases the speed or value.

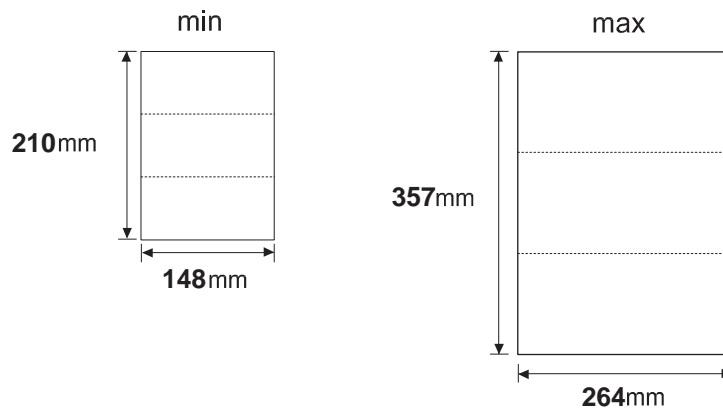
14. Total Counter - Displays the total count of the machine.

15. Counter - Displays the current count of the machine.

Chapter 3 - Preparing for operation

3-1 Paper Size

MX13000 will not handle any form that is larger or smaller than the following forms.



Reference

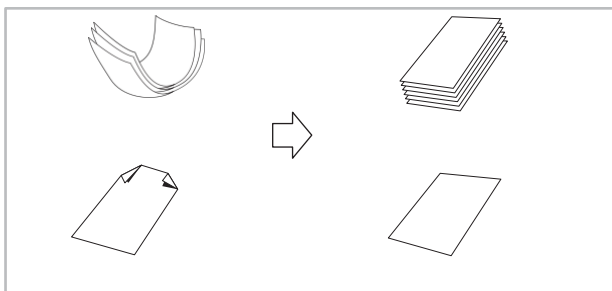
- Using forms that do not fall under the specified size may result in paper jam or machine damage.

Important

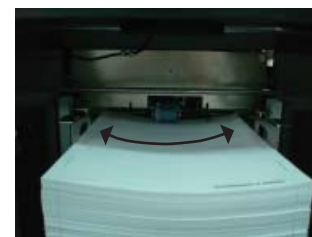
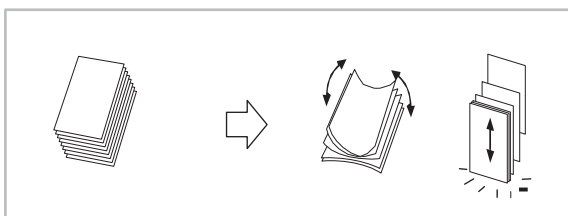
- Please check whether any forms are stapled. Staples will seriously damage the machine.

3-2 Loading the Forms

1. Before loading the forms onto the machine, please make sure all forms are aligned and fanned. Please refer to the images below.



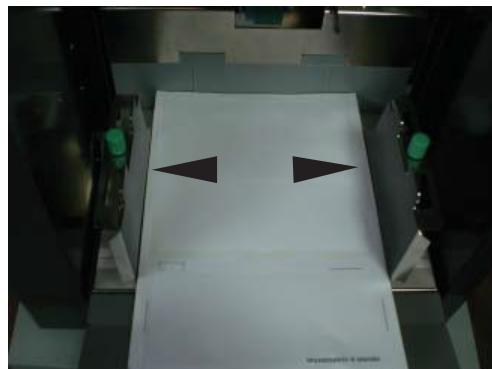
Good



Bad

If the conditions of the forms are not flat as the picture above (Bad), place appropriate quantity of forms, otherwise forms will be jammed.

2. Open the safety cover of the feeding unit. The tray will go down.
3. When the feed tray is down to the bottom, loosen the green knobs on both paper guides.
4. Load the aligned forms onto the feed tray and adjust the paper guides so they are gently covering the sides of the stacked forms.



5. Tighten back the green knobs on both paper guides.
6. Once loading is complete, please close the safety cover. The feed tray will go up.

⊗ Caution

- Poor quality forms may cause frequent paper jams.
- Make sure the paper guides are not set narrower or wider than the width of the paper.

📖 Reference

- When the forms are fed into the machine, all forms go to the upper cassette and then to the lower cassette.
- Please refer to the images below to understand more about the path in which the forms are folded.



⊗ Caution

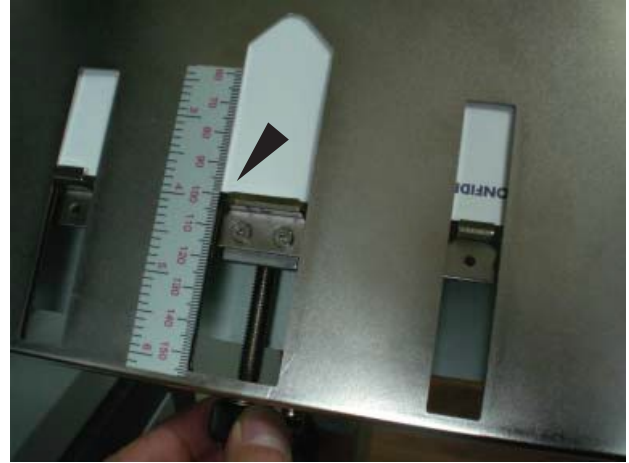
- Please do not place any objects that may cover the sensor as indicated in the picture.



3-3 Fold Setting

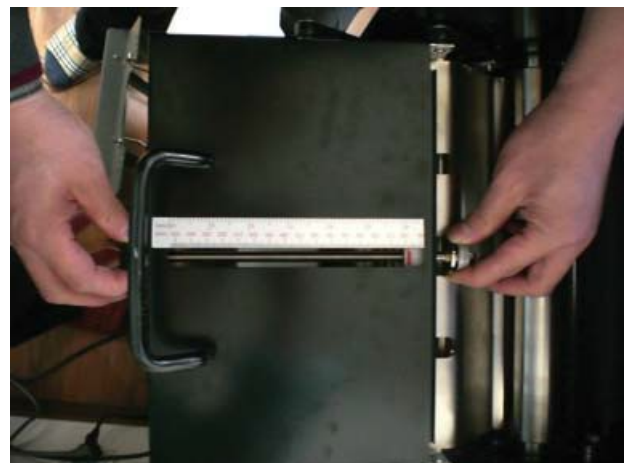
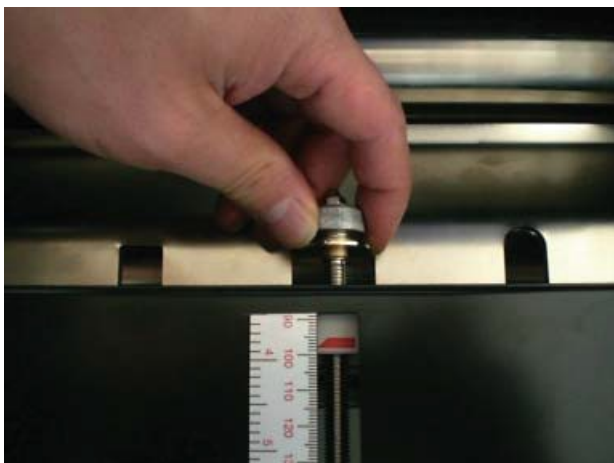
The following instruction shows how to set 8 1/2 X 11 sizes Z-Fold.

1. Lower Cassette Fold Setting - 93mm



1. Unlock the fold position of the lower cassette by turning the stopper locking knob counter clockwise.
2. Adjust the stopper so the surface of the rubber is lined up at 93mm.
3. Lock the stopper by holding the stopper adjustment knob and turning the stopper locking knob clockwise.

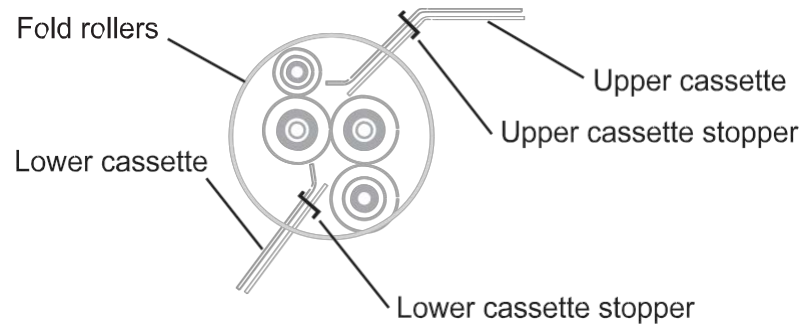
2. Upper Cassette Fold Setting - 93mm



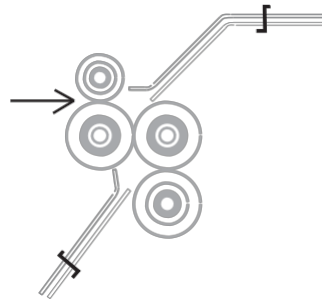
1. Unlock the fold position of the upper cassette by turning the stopper locking knob counter clockwise.
2. Adjust the stopper so the red marker is lined up at 93mm.
3. Lock the stopper by holding the stopper adjustment knob and turning the stopper locking knob clockwise.

Understanding Folding Mechanism

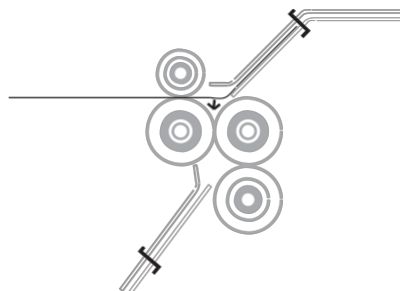
It is important to understand how MX-13000 folds paper in order to accurately set the fold setting. Please read the following information carefully to fully understand the folding mechanism of MX-13000.



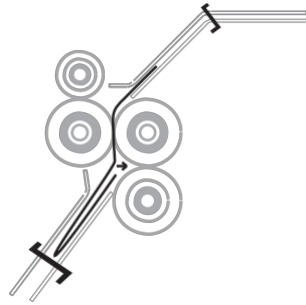
1. The folding unit is composed of rollers, cassettes and stoppers.



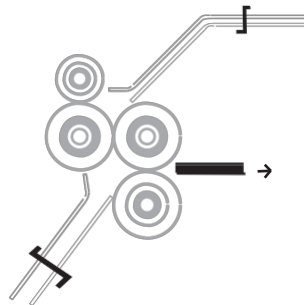
2. The form enters in between the two front fold rollers.



3. The form hits the upper cassette stopper and buckles in the middle. Then the folded portion enters in between the middle two rollers.

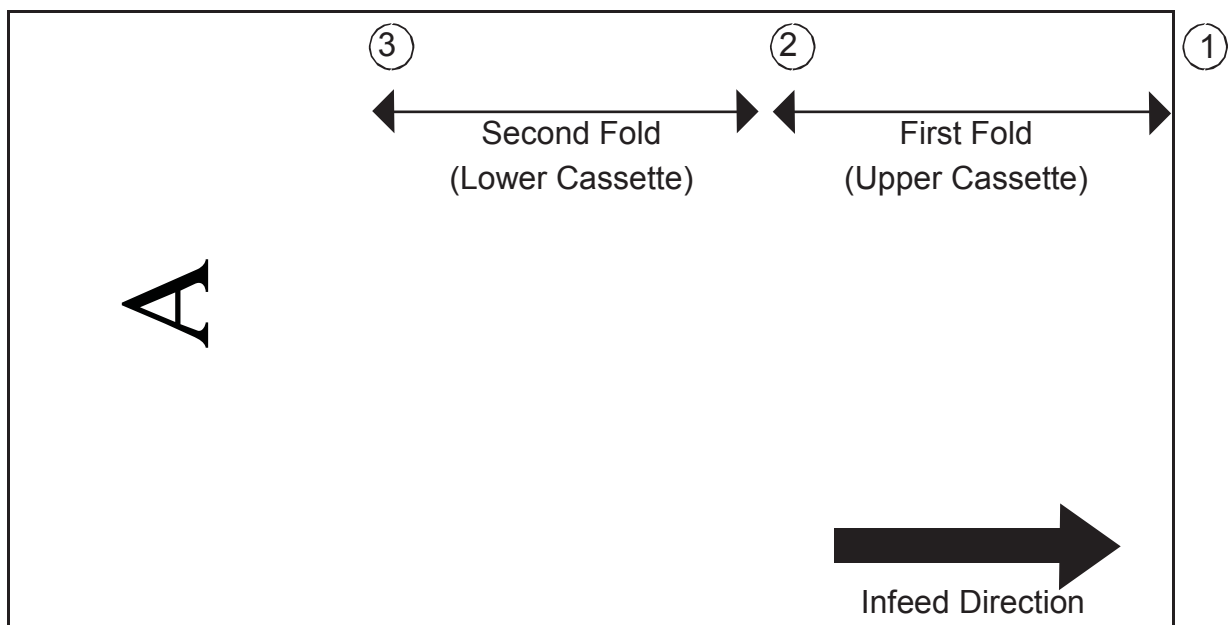
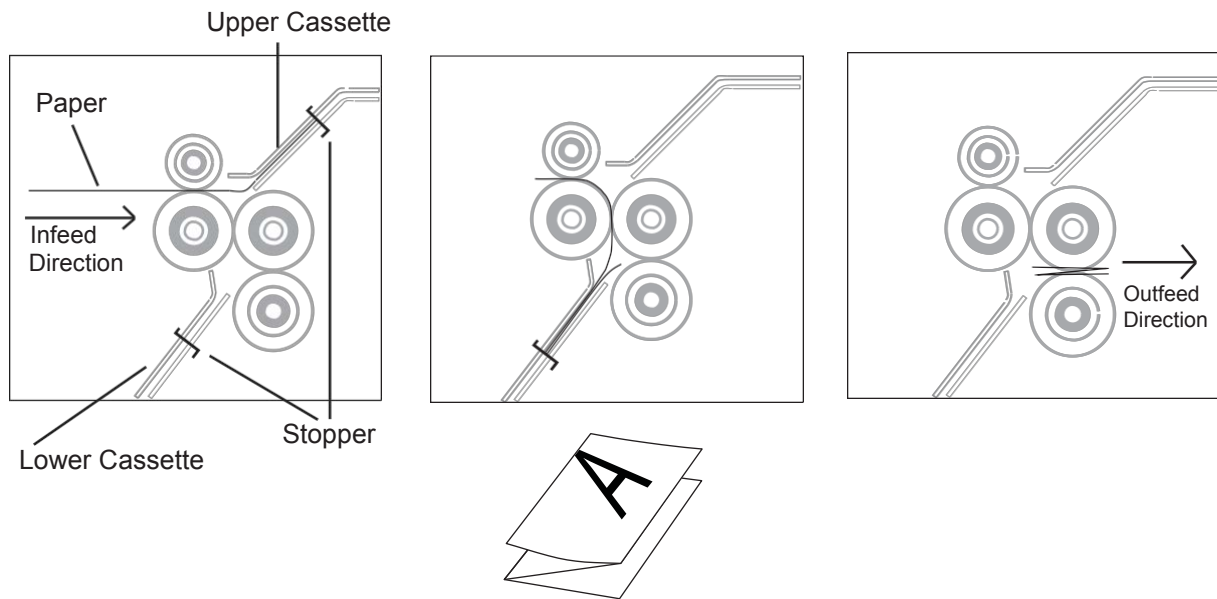


4. The form hits the lower cassette stopper and forms a buckle. The folded form then enters in between the two outer rollers.



5. The folded form then exits the fold rollers and then are sent to the press unit.

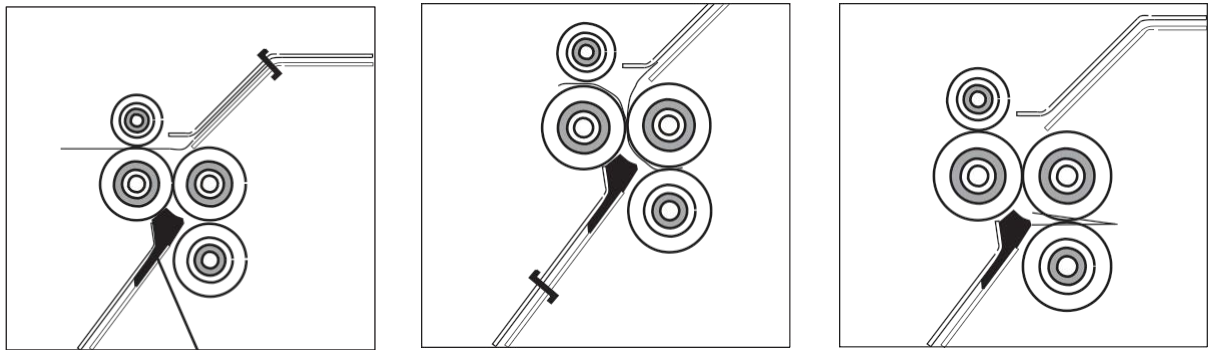
Z-Fold Setting



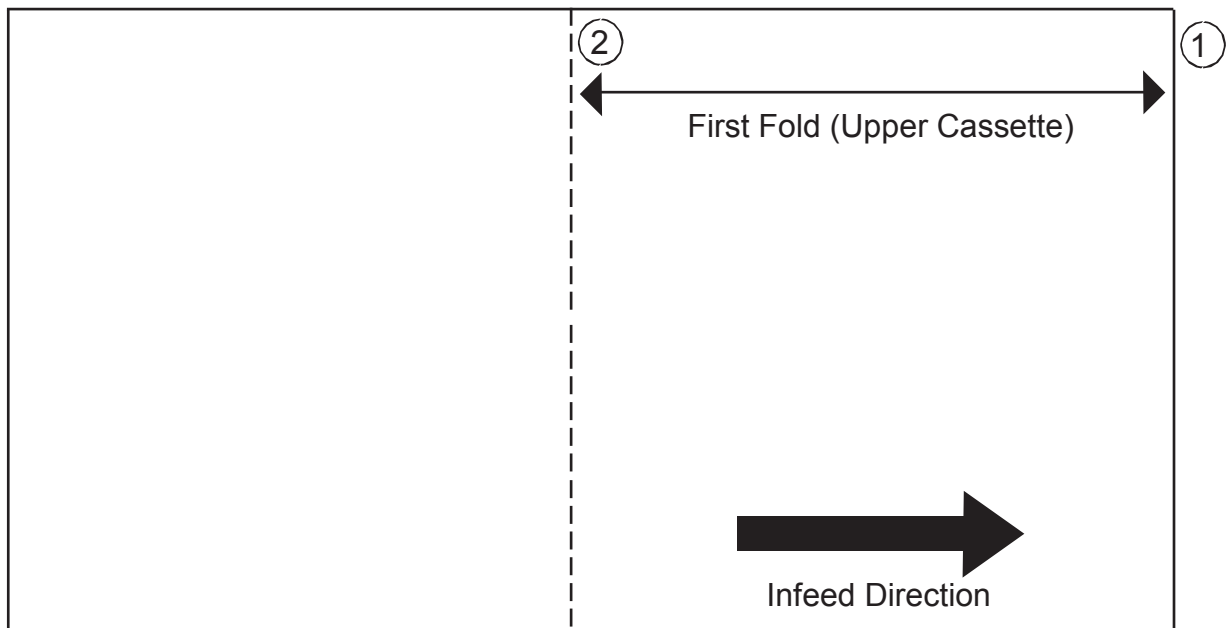
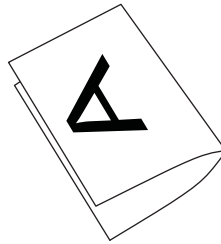
When setting a Z-Fold, please read the following steps.

1. Measure the length from line 1 to line 2 of the form as indicated in the image above. That measurement is the fold setting for the first (upper cassette) fold.
2. Measure the length from line 2 to line 3 of the form as indicated in the image above. That measurement is the fold setting for the second (lower cassette) fold.

V-Fold Setting



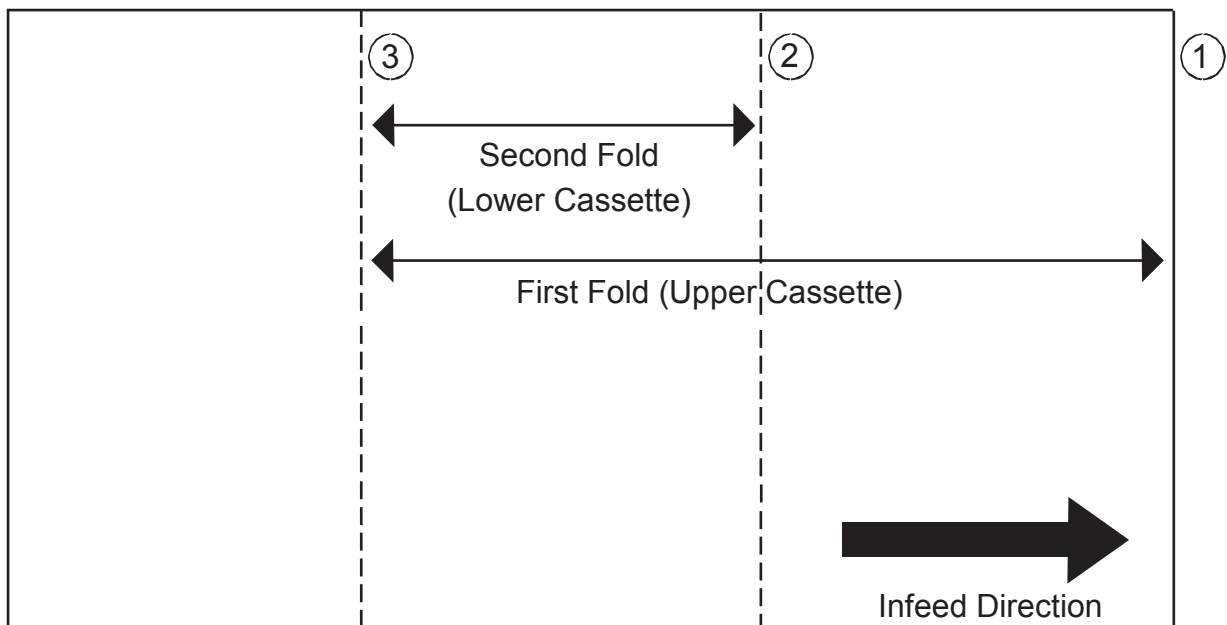
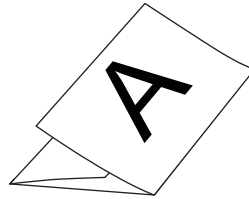
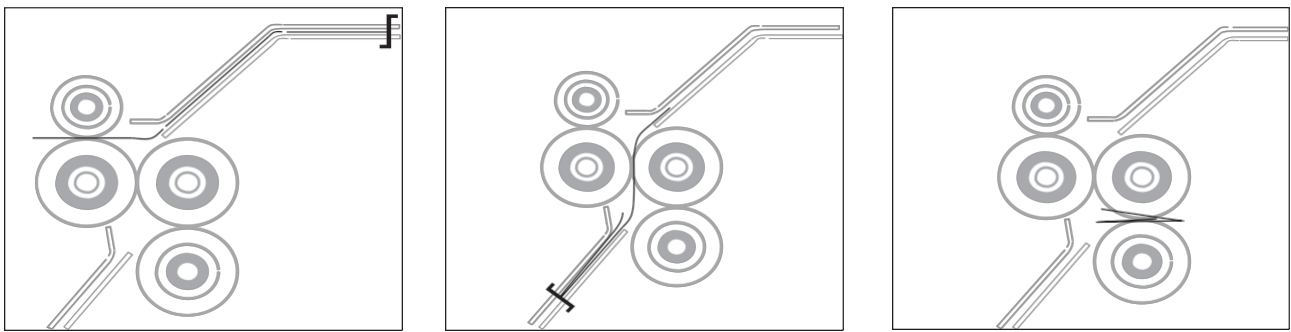
V-Fold Guide



When setting a V or a Single-Fold, please read the following steps.

1. Measure the length from line 1 to line 2 of the form as indicated in the image above. That measurement is the fold setting for the first (upper cassette) fold.
2. Make sure the V-fold guide is placed at the entrance of the lower cassette.

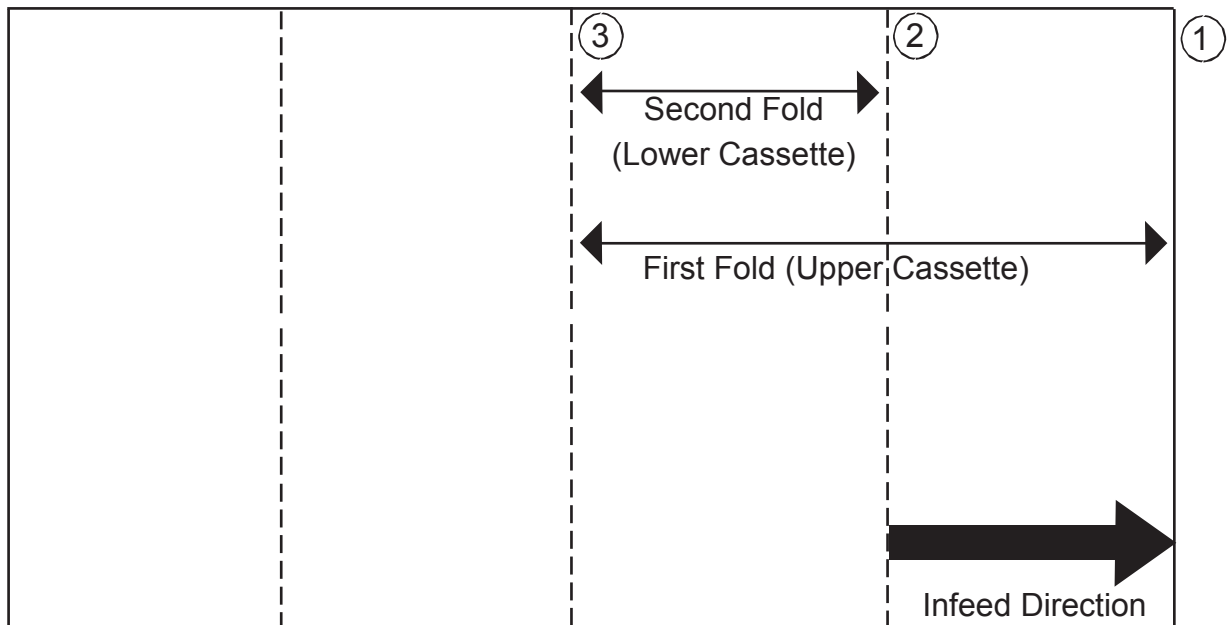
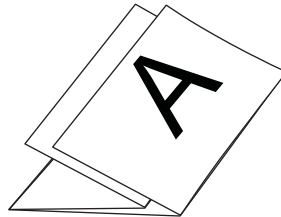
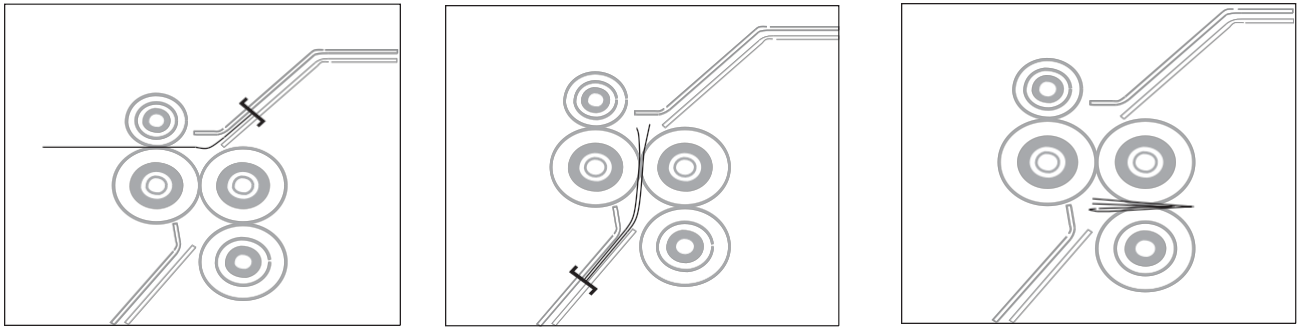
C-Fold Setting



When setting a C-Fold, please read the following steps.

1. Measure the length from line 1 to line 3 of the form as indicated in the image above. That measurement is the fold setting for the first (upper cassette) fold.
2. Measure the length from line 3 to line 2 of the form as indicated in the image above. That measurement is the fold setting for the second (lower cassette) fold.

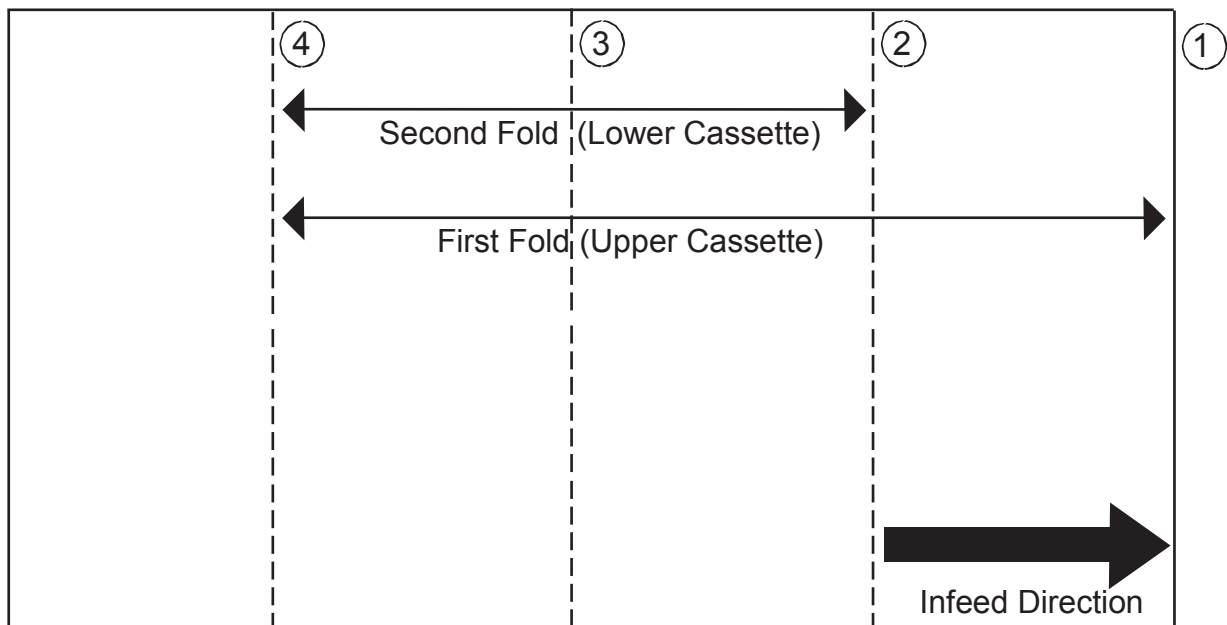
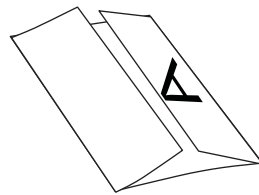
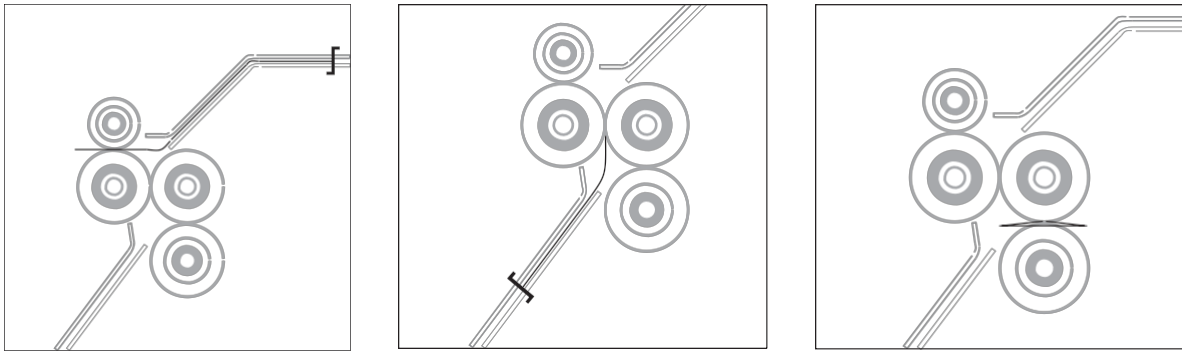
Double Folding



When setting a Double-Fold, please read the following steps.

1. Measure the length from line 1 to line 3 of the form as indicated in the image above. That measurement is the fold setting for the first (upper cassette) fold.
2. Measure the length from line 3 to line 2 of the form as indicated in the image above. That measurement is the fold setting for the second (lower cassette) fold.

Window Folding



When setting a Window-Fold, please read the following steps.

1. Measure the length from line 1 to line 4 of the form as indicated in the image above. That measurement is the fold setting for the first (upper cassette) fold.
2. Measure the length from line 4 to line 2 of the form as indicated in the image above. That measurement is the fold setting for the second (lower cassette) fold.

3-4 Fine Adjustment of Folding Position

You can adjust the fold setting in the following cases.

1. Fine adjustment is required from the standard folding type.
2. In case the folding is slightly different.

Reference

If the folding is slightly off from the desired position, please check the following possible causes.

- a. Incorrect fold setting
- b. Machine clearance
- c. Incorrect position of fold cassettes
- d. The FRR or the fold rollers are worn out

3-5 Conveyor Wheel Setup

The conveyor wheel can be adjusted to accommodate different forms with different lengths. Please refer to the following pictures to correctly set the wheels to accommodate your form lengths.



Good



Bad

Chapter 4 - Handling Errors

4-1 Error Message

There are various types of sensors located at different parts of MX-13000. These sensors detect and display the location of an error on the panel. Please read the following errors to understand how to handle each error.

Error Message

Miss feeding Jam

When a form does not reach the infeed sensor after infeed.

infeed sensor Jam

When a form is jammed at the infeed sensor.

folder

When a form is jammed at the folding unit.

Press jam

When a form is jammed at the press unit.

Stacker full Paper

When the stacker is full and the last form is detected by the exit sensor.

thickness error Lower

When the paper thickness cannot detect the thickness of the form being scanned by the thickness sensor.

cassette missing

When the lower cassette is not closed all the way.

Out of paper

When there are no forms on the paper tray or the paper sensor is not detecting any forms.

Right cover open

When the upper cassette safety cover is opened.

Left cover open

When the feeding unit safety cover is opened.

4-2 Handling paper jams

Removing the jammed paper at the upper cassette

1. Open the top upper cassette safety cover.
2. Pull out the upper cassette and remove any jammed paper.

⊗ Caution

Please be cautious when removing jammed forms as it may result in damaging the upper cassette.

Removing jammed paper at the lower cassette

1. Open the lower cassette cover.
2. Remove any jammed paper.

Removing jammed paper at the press unit.

There can be different reasons for a paper jam at the press unit.

A. Double Feed

1. Try to remove the jam by using the jam free button.
2. If the jam is not cleared by using the jam free button, please use the jam removal handle to manually remove the jam.



When removing the jam, turn the press rollers by inserting the jam removal handle and turn it clockwise like the picture.

⊗ Caution

1. Turn off the power.
2. Never operate the machine with the jam removal handle set up.

⊗ Caution

- If the jammed paper is too thick to pass through the press roller even by using the jam removal handle, please turn the handle in the reverse direction of the direction which is indicated in the picture above.

⚠ Important

- The press rollers are designed to accept 16~29 lbs. forms. Any forms that are heavier may affect the machine to malfunction.

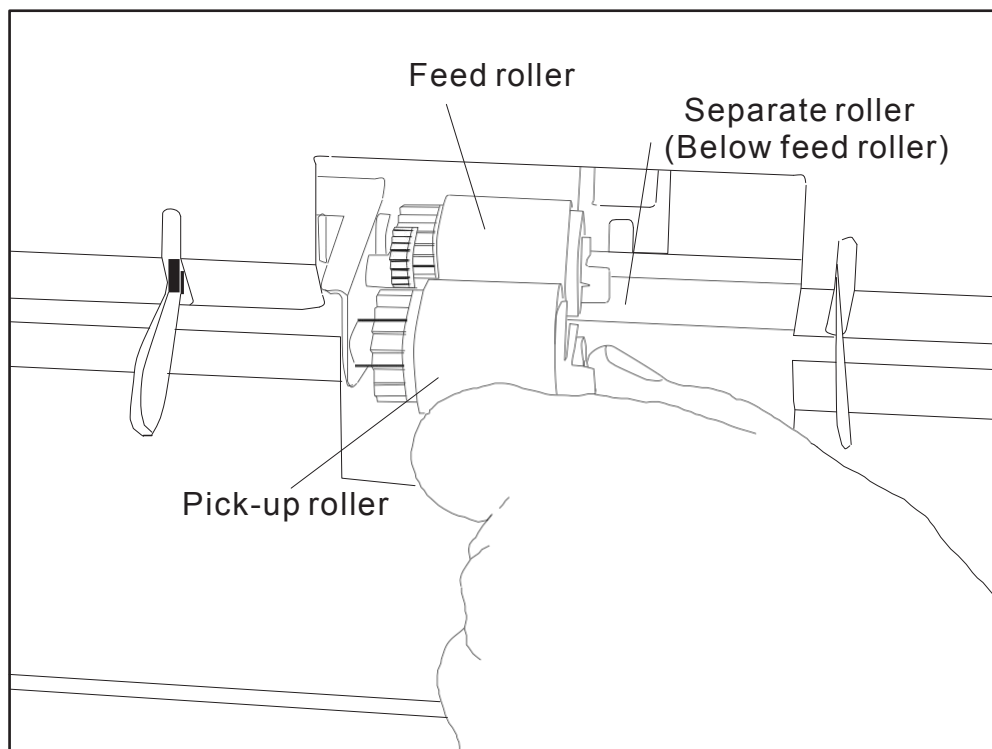
Chapter 5 - Maintenance

5-1 Replace Feed Roller (set of three)

The feeding rollers consist of three different rollers;

1. Pick up roller
2. Feed roller
3. Separate roller

There is no certain life cycle for these rollers since it may vary depending on different environment, forms, and etc. Read the following instructions on how to replace these rollers.



1. Remove the snap ring (white clip).
2. Replace the roller and place back the snap ring.
3. Follow step 1 & 2 for the rest of the rollers.

5-2 Cleaning Rollers

Since Pressure seal forms leave paper dust, ink and toner residues, it is very important to occasionally clean the surface of the each roller to maintain its best condition for better performance.

1. Paper dust

- Use small air cleaner or dust remover.

2. Cleaning fold rollers

- Open the safety cover and slide out the upper cassette. With a piece of soft cloth, use Denatured Alcohol to remove any ink contamination or toner residues on the surface of the fold rollers.

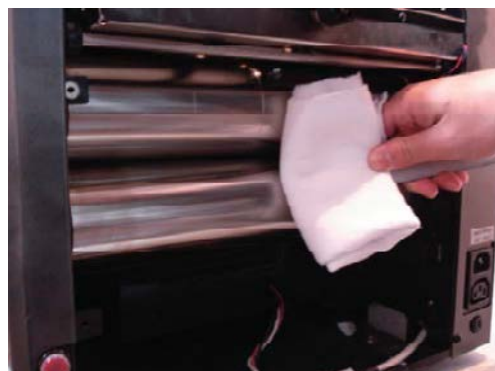
- ⊗ Caution - Please do not use any other substance when cleaning the surface of the fold rollers as it may damage the rubber.

3. Cleaning press rollers

- A professional's aid is necessary to clean press rollers. Try to clean it by an engineer's help, if possible. If you are going to do it by yourself, please remove (unplug) the power.
- Remove conveyor wheel holder, lower press roller cover and upper press roller cover in the picture below.
- Two rollers and inner lower press roller shown in picture A can be cleaned.
- Inner upper roller can be cleaned like picture B.



Picture A



Picture B

Chapter 6 - Troubleshooting

Some of the errors can easily be fixed by the user without a professional's aid.

6-1 No Power

1. Check whether the power cable is properly connected.
2. Check the power supply.

6-2 Incorrect Folding

1. Please check whether the fold position is correct.

6-3 Power On, but No Start

1. Check if the left safety cover is opened.
2. Check if the right safety cover is opened.
3. Check if the lower cassette is pushed all the way in.
4. Check for any paper jams.

6-4 Frequent Double or Multiple Sheet Feeding

1. Exchange all three rollers all at once. They are probably worn-out.
2. Check whether the adhesive paper is too thick or strong.
3. Check whether the forms are lighter than 16 lbs.
4. Check whether the infeed tray guide is set correctly.

Chapter 7 - Conveyor (Optional)

7-1 Conveyor Installation



Please attach the tray to the main body of the conveyor like the picture.



Please loosen the screws and attach the side guide on both sides by using the same screws like the picture.



Please attach the lower bracket like the picture.



Place the conveyor on to the shaft like the picture.



Please tighten the two screws to fix the conveyor to the main body.



Please attach the wheels on to the holder like the picture.



The conveyor wheel can be adjusted to accommodate different forms with different lengths. Please refer to the following pictures to correctly set the wheels to accommodate your form lengths.



Completed.

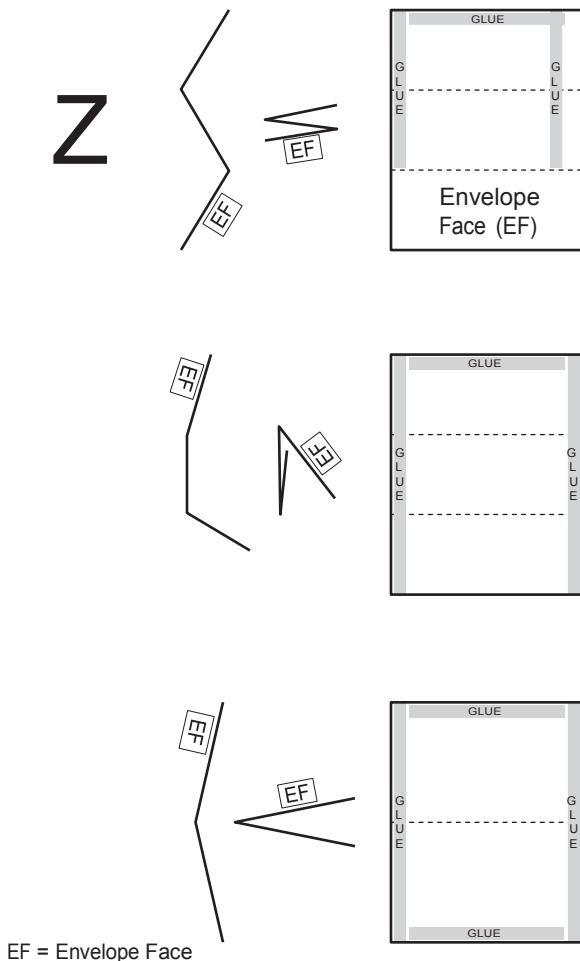
This page intentionally left blank



Headquarters & Factory
15951 SW 41st Street Suite 400
Davie, FL 33331
E-mail paitec@paitec.com
Website: www.paitec.com

Size and Fold Type	ES5000 - IM4000 - IM9500						ES2000 – ES8000 – MX9000 – MX13000			
	Drum		First		Second		First		Second	
	CV	Z	mm	inches	mm	inches	mm	inches	mm	inches
11" Z-Fold	X	X	186	7-1/3	93	3-2/3	93	3-2/3	93	3-2/3
14" Z-Fold		X	237	9-1/3	118	4-2/3	118	4-2/3	118	4-2/3
14" EZ-Fold *		X	222	8-3/4	133	5-1/4	133	5-1/4	133	5-1/4
11" C-Fold **	X		92	3-5/8	94	3-11/16	188	7-3/8	94	3-11/16
14" C-Fold ***	X		<i>Note: there are no standards for this format, measure your form for settings</i>							
14" EC-Fold ****	X		86	3-3/8	135	5-5/16	270	10-5/8	135	5-5/16
11" V-Fold	X		140	5-1/2	0	0	140	5-1/2	Use V-Insert	
14" V-Fold *****	X		178	7	0	0	178	7	Use V-Insert	

Fold Type



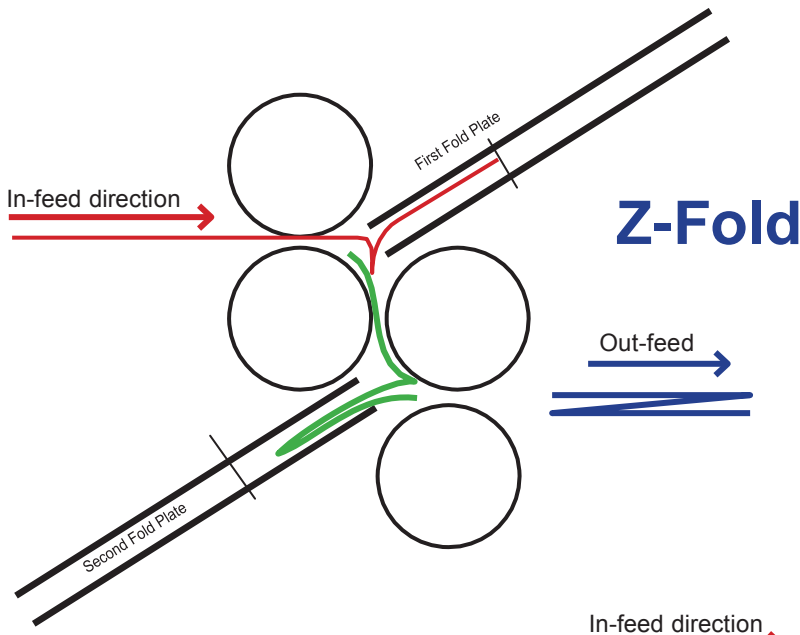
EF = Envelope Face

To Identify Fold Position Number and Feed Direction			
ES5000 - IM4000 - IM9500		ES2000 – ES8000 – MX9000 – MX13000	
Fold #	Feed Direction	Fold #	Feed Direction
1st Fold	↓	1st Fold	↑
2nd Fold		2nd Fold	
1st Fold	↓	1st Fold	↑
2nd Fold		2nd Fold	
1st Fold	↓ ↑	1st Fold	↑ ↓

* Indicated settings are for the standard 14" EZ-Fold with two 5.25" and one 3.5" panels.
 ** These settings are for a correctly Mfg. 11" C-Fold form. The inside panel is shorter than the outside panels to avoid jamming during folding.
 *** Rarely used, please measure your form as there is no standard for this size and format.
 **** Settings are for the 14" C-Fold form that creates a reply envelope when folded and sealed. Other configurations will vary.
 ***** Not commonly used as this size will require additional postage if mailed

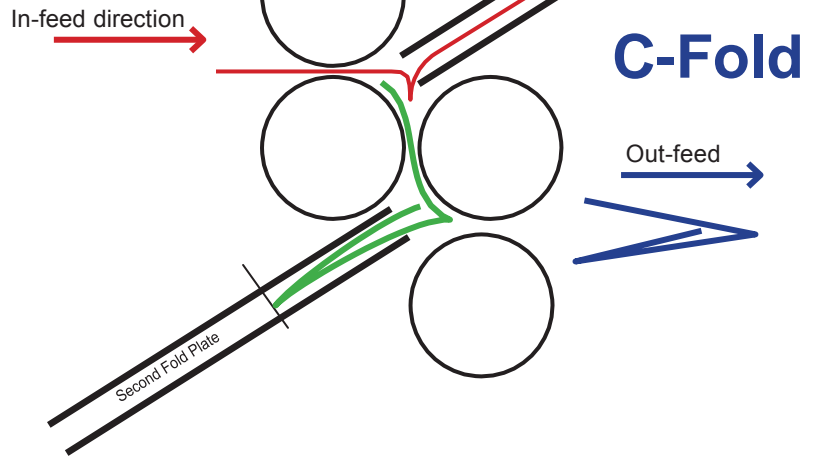
Folding Diagram

ES2000
ES8000
MX9000
MX13000



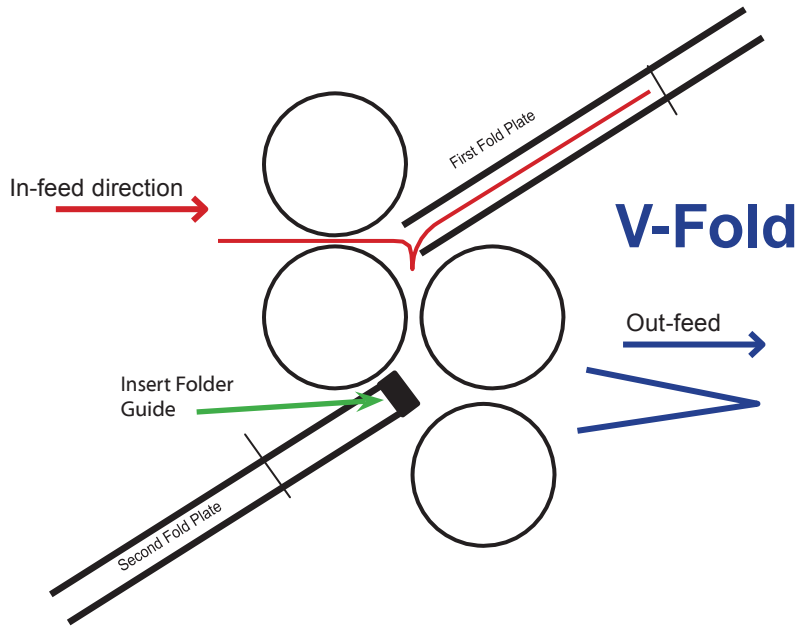
Z-Fold

Out-feed



C-Fold

Out-feed



V-Fold

Out-feed

Symmetrical Fold	1st Fold	2nd Fold
Z-Fold	1/3	1/3
V-Fold	1/2	None
C-Fold	2/3	1/3
Double Parallel	1/2	1/4

Fold Plates	1st Fold	2nd Fold
Minimum	80 mm 3.15 in	70 mm 2.75 in
Maximum	255 mm 10 in	155 mm 6.1 in

