



3.2 CU.FT. DOUBLE DOOR
REFRIGERATOR
USER MANUAL

Model #: RF-322SS (Stainless Steel)
Model #: RF-322W (White)



INSTALLING YOUR REFRIGERATOR

UNPACKING YOUR REFRIGERATOR

WARNING: The refrigerator should be moved with two or more people. Failure to do so can result in back or other injury.

- Remove tape and any labels from the refrigerator before using (except the rating label).
- To remove any remaining tape or glue, rub the area briskly with your thumb.
- Tape or glue residue can also be easily removed by rubbing a small amount of liquid dish soap over the adhesive with your fingers. Wipe with warm water and dry.
- Do not use sharp instruments, rubbing alcohol, flammable fluids, or abrasive cleaners to remove tape or glue. These products can damage the surface of your refrigerator.
- When moving the refrigerator, do not tilt the refrigerator beyond 45° from upright position.

DANGER or WARNING:

1. Risk of child entrapment. Before you throw away your old refrigerator or freezer:
 - Take off doors.
 - Leave the shelves in place so that children may not easily climb inside.
2. Do not use extension cords.

➤ **CLEANING BEFORE USE**

After you remove all of the packing materials, clean the inside of your refrigerator before using it.

SPACE REQUIREMENTS

WARNING: Keep flammable materials and vapors, such as gasoline, away from refrigerator.

Failure to do so can result in death, explosion, fire or burns.

- To ensure proper ventilation for your refrigerator, allow 8 inches of clearance on both sides, 4 inches on the backside and 12 inches on the top.
- If you are installing your refrigerator next to a fixed wall, leave sufficient space on the hinge side to allow room for the door to swing open.
- Never install your refrigerator near a heat source and under direct sunlight.

ELECTRICAL REQUIREMENT

WARNING: DO NOT REMOVE GROUND PRONG.

DO NOT USE AN ADAPTOR.

DO NOT USE EXTENSION CORD.

Failure to follow these instructions can result in death, fire or electrical shock.

Before you move your refrigerator into its final location, it is important to make sure you have the proper electrical connection.

Recommended Grounding Method

This unit is applied with power supply of single-phase alternating current of 115V~, 60Hz. This appliance is equipped with a 3-prong (grounding) plug which mates with a standard 3-prong wall outlet. **DO NOT, UNDER ANY CIRCUMSTANCES, CUT OR REMOVE THE THIRD (GROUND) PRONG FROM THE POWER CORD.** Unit should be plugged in a dedicated outlet.

Use a receptacle which cannot be turned off with a switch or pull chain. Do not use an extension cord.

NOTE: Before performing any type of installation, cleaning, or replacing a light bulb, turn the refrigerator control to OFF and disconnect the refrigerator from electrical source. When finished, reconnect the refrigerator to the electrical source and reset the control to the desired setting.

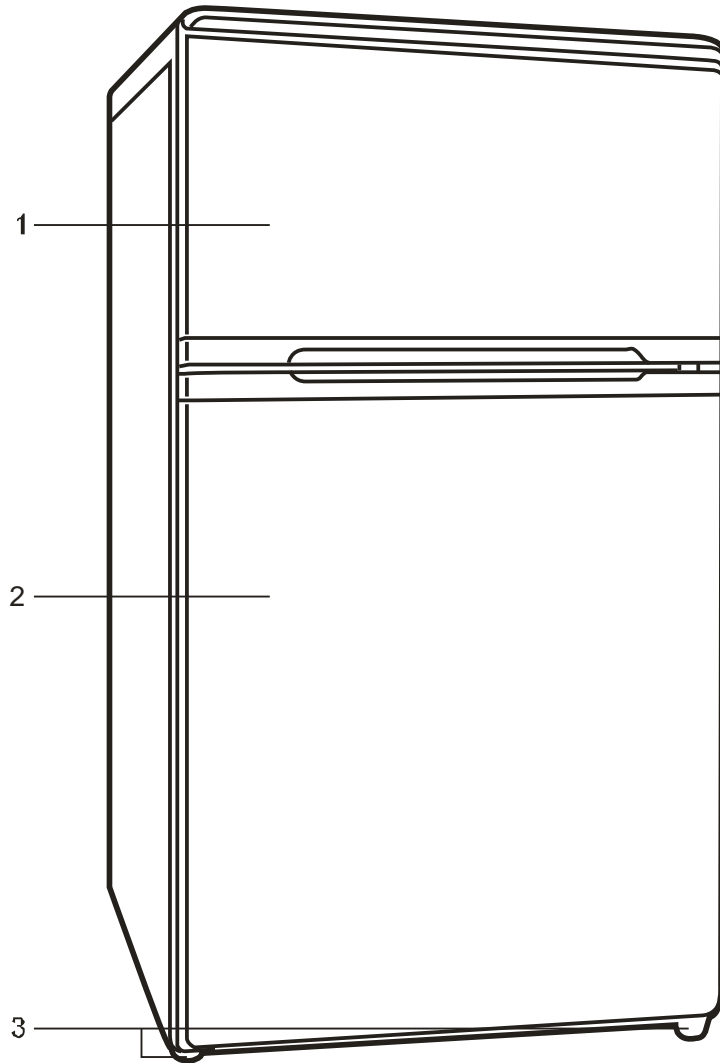
LEVELING

If the refrigerator is not leveled during installation, the doors may not close or seal properly, causing cooling, frost, or moisture problems. It is very important that the refrigerator is leveled in order to function properly.

To level your refrigerator, turn the level leg clockwise to raise or turn counter-clockwise to lower.

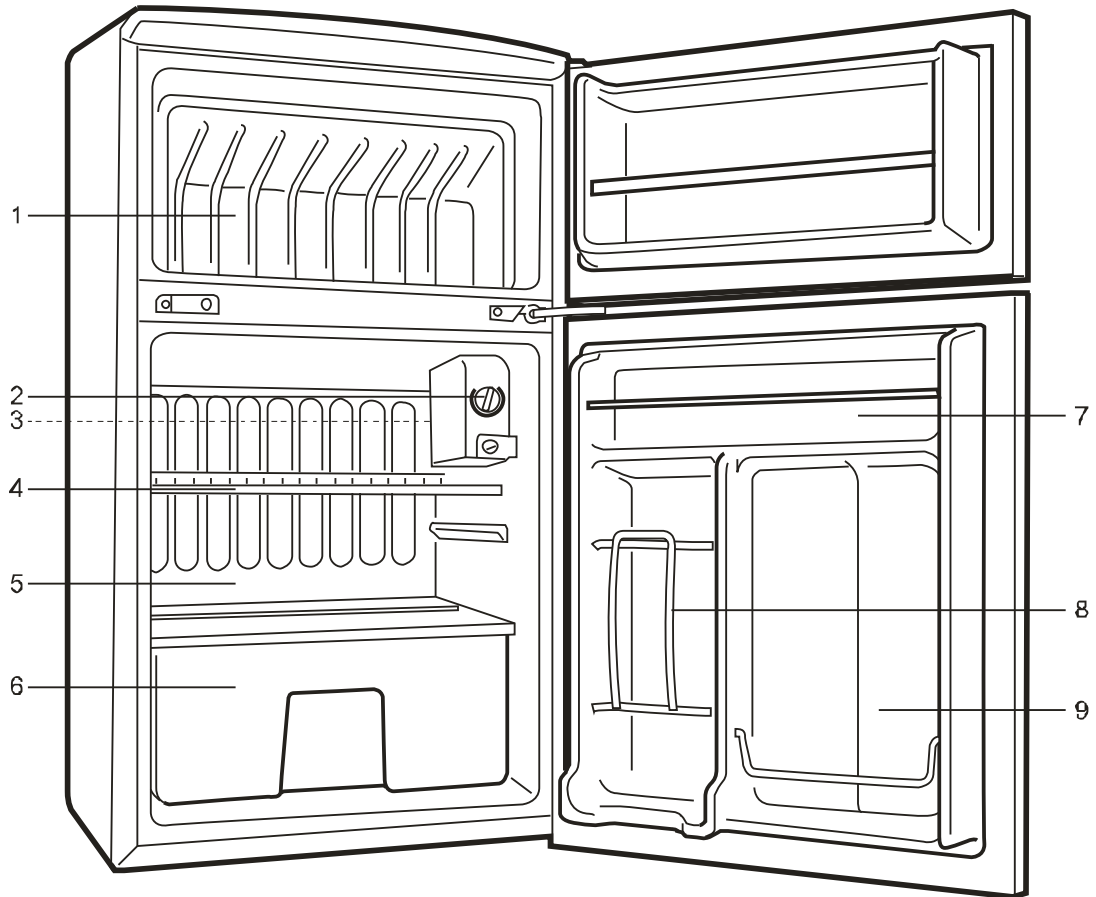
NOTE: Having someone push and tilt the unit backwards to take some weight off the leveling leg will make adjustment easier.

CLOSED



- 1. Freezer Door
- 2. Refrigerator Door
- 3. Leveling Feet

OPEN



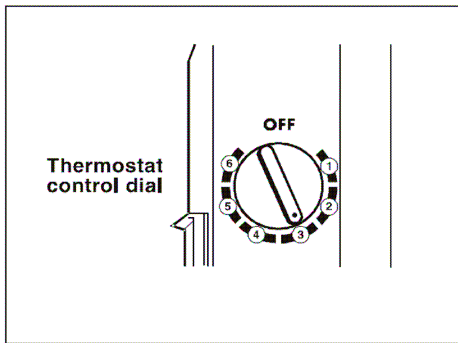
- 1. Freezer Compartment
- 2. Thermostat
- 3. Light Bulb (Behind Thermostat)
- 4. Shelf
- 5. Refrigerator Compartment
- 6. Crisper Drawer
- 7. Small Rack
- 8. Can Storage
- 9. Bottle/Carton Storage

USING YOUR REFRIGERATOR

To obtain the best possible results from your refrigerator, it is important that you operate it properly.

THERMOSTAT CONTROL

The thermostat for both the refrigerator and freezer is located at the upper right hand corner inside the refrigerator compartment. The thermostat has a total of 7 settings, from 1 to 6 (1 = least cold / 6 = coldest) and OFF.



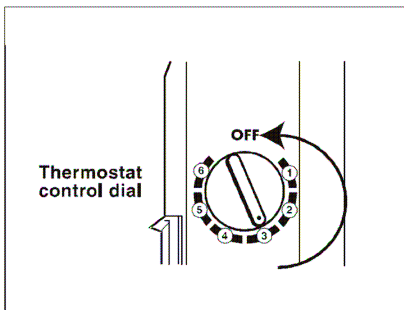
The first time you turn the unit on, adjust the temperature control knob to 3 and give your refrigerator time to cool down completely before adding food; a full 24 hours is recommended. After it is fully cooled, test and adjust accordingly. Turn dial towards 1 for less cool setting or towards 6 for colder setting. Setting the thermostat at 3 is recommended for general home or office use.

DEFROSTING

Refrigerator compartment (Automatic defrosting):

- Melted frost will flow into drip tray for automatic evaporating.

Freezer compartment (Manual defrosting):

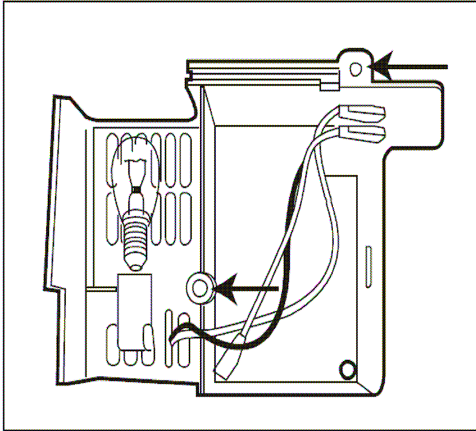


- Turn the thermostat knob to **OFF** position and leave the freezer door open.
- Remove ice cube tray and shelf. Transfer all food to another freezer unit or to the refrigerating compartment.
- Clean and wipe the melted frost with a cloth.
- After defrosting, turn thermostat knob to original position.

Note: To avoid damaging the freezing compartment wall, do not use any sharp objects or tools to remove the frost or separate frozen food.

CHANGING THE LIGHT BULB

1. Unplug refrigerator or disconnect refrigerator from power supply before you remove the light bulb.



2. Unscrew the middle and lower parts of the thermostat holder assembly, marked by arrows in the diagram.
3. Pull the light bulb cover (Thermostat holder assembly) outward to remove it.
4. Unscrew the light bulb.
5. Replace with a 15-watt 120V appliance bulb only. Not all bulbs will fit your refrigerator. Be sure to replace bulb with the same type (E-12)

and shape. The bulb T6 can be used.

6. Reconnect refrigerator to power supply.

POWER INTERRUPTIONS

When the electricity in your house goes out:

- For a short period, keep both doors closed to help food stay cold and frozen.
- For a long period, it is recommended to transfer your food to a different refrigerating unit with power; or keep both doors closed.

FRESH FOOD STORAGE

Food stored in the refrigerator should be well wrapped or stored in airtight containers.

This will help prevent odor and taste transfer.

- Fruit: wash, dry and store in refrigerator in plastic bag or in the crisper.
- Leafy vegetables: Remove wrapping and trim/tear off bruised and discolored sections. Wash in cold water and drain. Place in plastic bag or plastic container and store in crisper.
- Fish: It is recommended to use fresh fish the same day it is purchased. To refrigerate, wrap securely or store in airtight container.
- Meat: It is okay to store meat in original wrapping as long as it is airtight and moisture-proof. Rewrap if necessary.
- Leftovers: Cover leftovers with plastic wrap or aluminum foil. Or store in airtight containers.

FROZEN FOOD STORAGE

The freezer compartment is designed for storing frozen food or freezing food at home. Successful freezing depends on proper packaging. When you close and seal the package you must not allow air or moisture in or out. If you do, you could have food odor and taste transfer and also dried-out frozen food.

Note: Never put bottled food or drinks in the freezer compartment.

Note: For best performance, leave enough space in the freezer and refrigerator compartment for air to circulate around the packages. Also leave enough room at the front so the door can close tightly.

MAINTAINING YOUR REFRIGERATOR

The refrigerator should be clean at least once a month to prevent odors from building up. Wipe up spills immediately.

- Turn thermostat control to OFF position and unplug from power source.
- Remove all movable parts, such as shelves, crisp drawer, etc.
- Use a clean sponge or soft cloth soaked in a mild detergent and warm water solution. Do not use abrasive or harsh cleaners.
- Hand wash, rinse and dry all surfaces thoroughly.
- Do not use cleaning wax, concentrated detergent, bleach or cleaners containing petroleum on plastic and rubber parts.
- Never use paper towel, window spray, scouring pad or flammable fluid on plastic parts as these can scratch or damage the material.

TROUBLESHOOTING

In case of malfunction, you can solve many common problems easily.

Your refrigerator will not operate...Check if

- The power supply cord is unplugged.
- The thermostat knob is set to **OFF** position.

The light does not come on...Check if

- The power supply cord is unplugged.
- Household fuse or circuit breaker has tripped.
- Light bulb is loose in the socket.
- Light bulb has burned out.

Food in the refrigerator compartment freezing...Check if

- The thermostat knob is set too cold.
- The food is touching the refrigerant power at the back wall.

Food in the refrigerator compartment is not cold...Check if

- The air vents are blocked, which prevents the movement of cold air.
- The door(s) are opened too frequently or not closed properly.
- A large amount of food has just been added.
- The thermostat is set too low.

Melted frost leaks inside the compartment inside or onto floor...Check if

- The drain sprout is blocked.
- Evaporator pan is in place.

The refrigerator seems to make unusual noise...Check if

- The refrigerator is leveled on the floor.
- The body of the refrigerator is touching the wall.
- The drip tray is placed properly.

There is interior moisture build-up...Check if

- The air vents are blocked in the refrigerator.
- The door is opened frequently.
- The room is humid.
- The food is not packaged properly.
- The control is not set correctly to the surrounding conditions.

The doors will not close completely...Check if

- Food packages are blocking the door.
- The shelves are out of position
- The gaskets are dirty.
- The refrigerator is leveled.

REQUESTING ASSISTANCE OR SERVICE

If the problem is not due to one of the items listed in Troubleshooting, Contact Sunpentown customer service at 800.330.0388.



Your Guarantee

If this product is found to be faulty as a result of faulty materials or workmanship within one year from date of purchase, it will be repaired free of charge.

This guarantee is subject to the following terms:

- Sunpentown must be notified of the fault.
- Proof of purchase must be presented to Sunpentown's nominated representative.
- The warranty will be void if the product is modified, misused or repaired by an unauthorized person.
- The warranty after repair will not be extended beyond the original one-year period.
- All replacement parts will be new or reconditioned.
- Parts, which are replaced, become the property of Sunpentown.
- The warranty applies for the use of the product in the USA only.

What is NOT COVERED:

- Warranty does not include freight charges.
- Incidental or consequential damage caused by possible defects with this product.
- Damage to product caused by improper power supply voltage, accident, fire, floods or acts of nature.
- Failure of product resulting from unauthorized modifications to the product.
- Improper installation or failure to perform the necessary maintenance.

This GUARANTEE is in addition to your Statutory Rights

SUNPENTOWN INTERNATIONAL INC.
21415 Baker Parkway, City of Industry, CA 91789-5236
Tel: 909-468-5288 · Fax: 909-468-5279
service@sunpentown.com
www.sunpentown.com