

SW701ci – MULTIFUNCTION FISHFINDERS

7 inches Combo wide screen with internal GPS antenna. Powerful multifunction sunlight viewable combo unit featuring a unique fashion design compact and in unsurpassed quality.

Product Description

SW701cx Series comes with internal or external GPS, with high resolution display 800x480 pixel WVGA (Wide Screen) and a built-in 600W Dual-frequency fishfinder. It is extremely fast responsive, completely waterproof (IP67), and can be flush mount (completely built in, on a level with the helm) or bracket mounted.

The new revolutionary quick disconnect adjustable bracket can be both tilted and rotated, matching all possible positioning and installation needs, plus offering the easiest removal solution.

SW701cx Series can be transformed into a radar when connected to one of the Seiwa radar scanners.

SW701cx Series supports advanced features such as free downloadable weather overlays and forecasts, 3D perspective view, HD photos, tidal heights and currents as well as the Guardian Alarm which checks your route for potential grounding issues.

SW701cx Series has an internal Dual Frequency Fish Finder 50/200Khz, 600W, allowing you to choose from a full screen sounder display or split screen sounder/chart plotter, and can be coupled with various kinds of plastic stern thru hull transducers, or in hull transducers, or bronze thru hull transducers: the unit works with Xid AIRMAR transducers.

ADSP (Advanced Digital Signal Processing) and underwater sound propagation physical modelling improves signal sensitivity and noise discrimination providing faster and reliable bottom acquisition and tracking.

ANR (Automatic Noise Reduction) automatically adjusts operating parameter balancing optimal noise rejection with maximum signal sensitivity in order to improve target discrimination performances with dynamic cancellation of surface noise.

Soft Keys are available to guarantee maximum efficiency and easiness of use, which change function depending upon the current display with an easy key label prompted on the screen.

User friendly state-of-the-art software with outstanding graphics and cutting edge functions such as 'Grounding Alarm', Anchor Alarm, Weather Forecast, Multilanguage.

SW701cx Series is compatible with DSC and AIS equipments and is equipped with WAAS/EGNOS/MSAS GPS active antenna.

The units are compatible with C-MAP by Jeppesen cartography, using SD cartridges.

Summary of Features

- Worldwide Built-in Cartography showing detail up to 2.0 NM
- C-MAP by Jeppesen MAX charts compatible
- Object-oriented chart system with enhanced functionality including:
 - Guardian alarm, Safety Status Bar, Safe Route Checking
 - Perspective View
 - Satellite Image Coverage (on worldwide background)
 - Turbo and Smooth Zoom
 - Multilanguage
 - Enhanced Port Information database
 - Tides & Currents data
 - Photos & Diagrams
 - Automatic Information on all chart objects and User Points
 - Find function for Ports Services, Ports By Name, Ports By Distance, Tide Stations, Wrecks, Obstructions, Lakes Information

- 10,000 User Points: Waypoints/Marks
- 10,000 Track Points
- 5 Tracks
- 50 Routes
- User Points Icons 16
- Create, Move, Insert, Edit, Delete, Send, Receive Waypoint
- Create, Move, Edit, Delete, Send, Receive Mark/Event
- Navigation to Goto
- Create, Save, Name, Edit, Delete, Send, Receive or Follow a Route
- Route Data Report and User Points (Marks/Waypoints) List pages
- Display vessel's position, direction and Track
- Man OverBoard (MOB) to navigate back to a missing person or object
- Weather Service capability
- Range & Bearing function
- Simulation Mode with cursor control

Functions

- BBFF Dual frequency 50/200Khz, 600W
- Radar compatible
- AIS compatible
- DSC compatible
- WAAS/EGNOS/MSAS compatible
- MOB (Man Over Board)
- Time to Destination
- Distance to Destination
- Selectable track color
- Compass Calibration
- Navigation Info
- Automatic Info on cartographic objects
- Simulation Mode

Key pages

- Positional information from GPS
- Depth Graph Page (Split & Full)
- Navigation Data page
- 3D Road page
- GPS Status page
- Wind Data page
- Gauges page
- DSC Log and DSC Directory pages
- AIS Report List page
- Fish Finder Page
- Radar Page
- User Points List Page

Alarms Handling

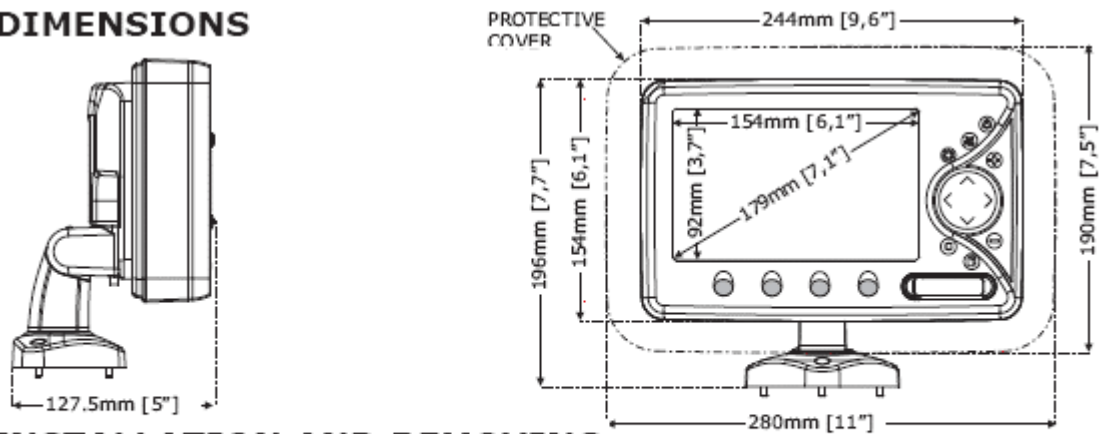
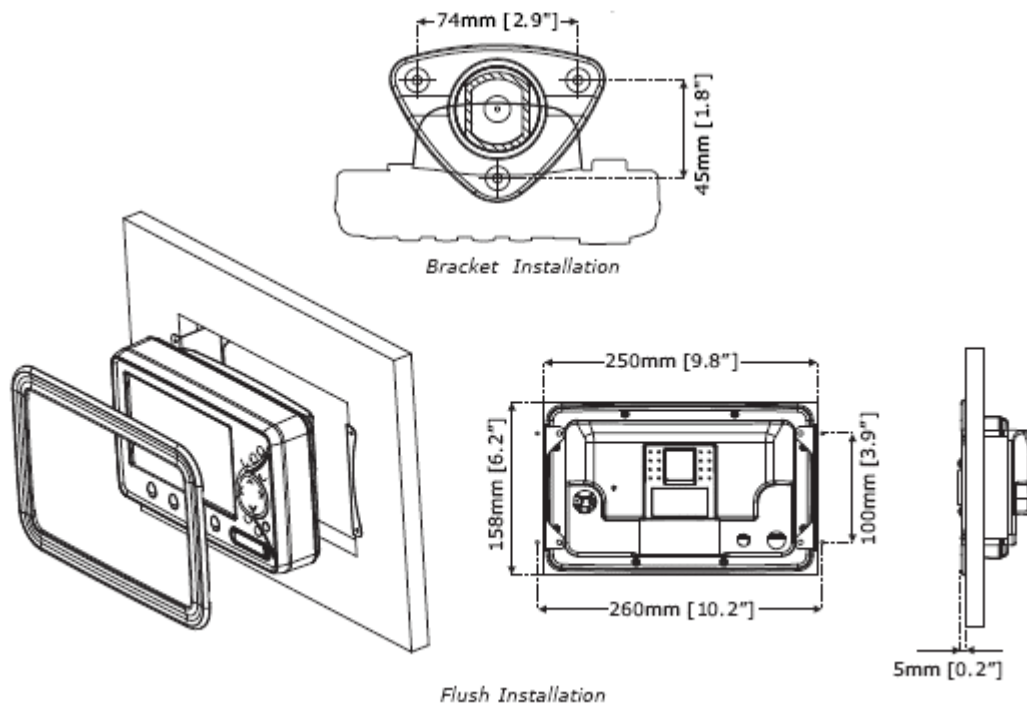
- Auto Off
- Arrival Alarm
- XTE Alarm
- Anchor Alarm
- Depth Alarm
- HDOP Alarm
- Heading Alarm
- Grounding Alarm
- Grounding Depth Limit Alarm
- Grounding Alarm Range
- External Alarm

Technical specifications

- Microprocessor: ARM9 S32442MSP3 300 Mhz
- Display: 7 " TFT LCD Colour
- Sunlight viewable Display
- Resolution: 800x480
- Power consumption: 18W (1.5 A @ 12 V)
- Supply Voltage: 10-35 Vdc
- Cartridge slots: 1 x SD-Card
- GPS Antenna: SW701ci internal
- Operating temperature: 0-55 °C
- Frequency: 50/200 Khz
- Depth Range*:
 - 1KW/200kHz : 2.5Ft (0.76m) to 1200Ft (366m), Typical 980Ft (299m);
 - 1KW/50kHz : 5Ft (1.52m) to 4000Ft (1219m), Typical 2700Ft (823m);
 - 600W/200kHz : 2.5Ft (0.76m) to 700Ft (213m), Typical 600 Ft (183m);
 - 600W/50kHz : 5Ft (1.52m) to 1500Ft (457m), Typical 1350 Ft (411m);

* This is not a guaranteed specification. The actual maximum depth capability of the system depends on the type of transducer fitted, the reflectivity of the bottom, water condition, etc.

- Connectors:
 - In/Out NMEA ports: 4 x Nmea 0183
 - Video Input: 1 PAL or NTSC composite video
 - For SW701ce, the GPS connection is made through the quick disconnect bracket
 - Power In/Out: 10 pin

DIMENSIONS**INSTALLATION AND REMOVING****The box contains:**

- #1 SW701c1 (P2CJ710VSW);
- #1 Suncover (HPC34AX/A);
- #1 Fuse holder + fuse (K0FUSHV001);
- #1 quick disconnect bracket with Power I/O cable, 1,5mt (K10QDB004A);
- #1 Aux/I/O cable (CBC0FS0804);
- #1 Video In cable with adaptors (CBFS0200SE);
- #1 Cap for Aux I/O (CAP-WABMMLA1);
- #1 Cap for Video In connectors (CAP-WAAPMLA1);
- #1 User Manual (English language);

SW701ce – MULTIFUNCTION FISHFINDERS

7 inches Combo wide screen with external GPS antenna. Powerful multifunction sunlight viewable combo unit featuring a unique fashion design compact and in unsurpassed quality.

Product Description

SW701cx Series comes with internal or external GPS, with high resolution display 800x480 pixel WVGA (Wide Screen) and a built-in 600W Dual-frequency fishfinder. It is extremely fast responsive, completely waterproof (IP67), and can be flush mount (completely built in, on a level with the helm) or bracket mounted.

The new revolutionary quick disconnect adjustable bracket can be both tilted and rotated, matching all possible positioning and installation needs, plus offering the easiest removal solution.

SW701cx Series can be transformed into a radar when connected to one of the Seiwa radar scanners.

SW701cx Series supports advanced features such as free downloadable weather overlays and forecasts, 3D perspective view, HD photos, tidal heights and currents as well as the Guardian Alarm which checks your route for potential grounding issues.

SW701cx Series has an internal Dual Frequency Fish Finder 50/200Khz, 600W, allowing you to choose from a full screen sounder display or split screen sounder/chart plotter, and can be coupled with various kinds of plastic stern thru hull transducers, or in hull transducers, or bronze thru hull transducers: the unit works with Xid AIRMAR transducers.

ADSP (Advanced Digital Signal Processing) and underwater sound propagation physical modelling improves signal sensitivity and noise discrimination providing faster and reliable bottom acquisition and tracking.

ANR (Automatic Noise Reduction) automatically adjusts operating parameter balancing optimal noise rejection with maximum signal sensitivity in order to improve target discrimination performances with dynamic cancellation of surface noise.

Soft Keys are available to guarantee maximum efficiency and easiness of use, which change function depending upon the current display with an easy key label prompted on the screen.

User friendly state-of-the-art software with outstanding graphics and cutting edge functions such as 'Grounding Alarm', Anchor Alarm, Weather Forecast, Multilanguage.

SW701cx Series is compatible with DSC and AIS equipments and is equipped with WAAS/EGNOS/MSAS GPS active antenna.

The units are compatible with C-MAP by Jeppesen cartography, using SD cartridges.

Summary of Features

- Worldwide Built-in Cartography showing detail up to 2.0 NM
- C-MAP by Jeppesen MAX charts compatible
- Object-oriented chart system with enhanced functionality including:
 - Guardian alarm, Safety Status Bar, Safe Route Checking
 - Perspective View
 - Satellite Image Coverage (on worldwide background)
 - Turbo and Smooth Zoom
 - Multilanguage
 - Enhanced Port Information database
 - Tides & Currents data
 - Photos & Diagrams
 - Automatic Information on all chart objects and User Points
 - Find function for Ports Services, Ports By Name, Ports By Distance, Tide Stations, Wrecks, Obstructions, Lakes Information

- 10,000 User Points: Waypoints/Marks
- 10,000 Track Points
- 5 Tracks
- 50 Routes
- User Points Icons 16
- Create, Move, Insert, Edit, Delete, Send, Receive Waypoint
- Create, Move, Edit, Delete, Send, Receive Mark/Event
- Navigation to Goto
- Create, Save, Name, Edit, Delete, Send, Receive or Follow a Route
- Route Data Report and User Points (Marks/Waypoints) List pages
- Display vessel's position, direction and Track
- Man OverBoard (MOB) to navigate back to a missing person or object
- Weather Service capability
- Range & Bearing function
- Simulation Mode with cursor control

Functions

- BBFF Dual frequency 50/200Khz, 600W
- Radar compatible
- AIS compatible
- DSC compatible
- WAAS/EGNOS/MSAS compatible
- MOB (Man Over Board)
- Time to Destination
- Distance to Destination
- Selectable track color
- Compass Calibration
- Navigation Info
- Automatic Info on cartographic objects
- Simulation Mode

Key pages

- Positional information from GPS
- Depth Graph Page (Split & Full)
- Navigation Data page
- 3D Road page
- GPS Status page
- Wind Data page
- Gauges page
- DSC Log and DSC Directory pages
- AIS Report List page
- Fish Finder Page
- Radar Page
- User Points List Page

Alarms Handling

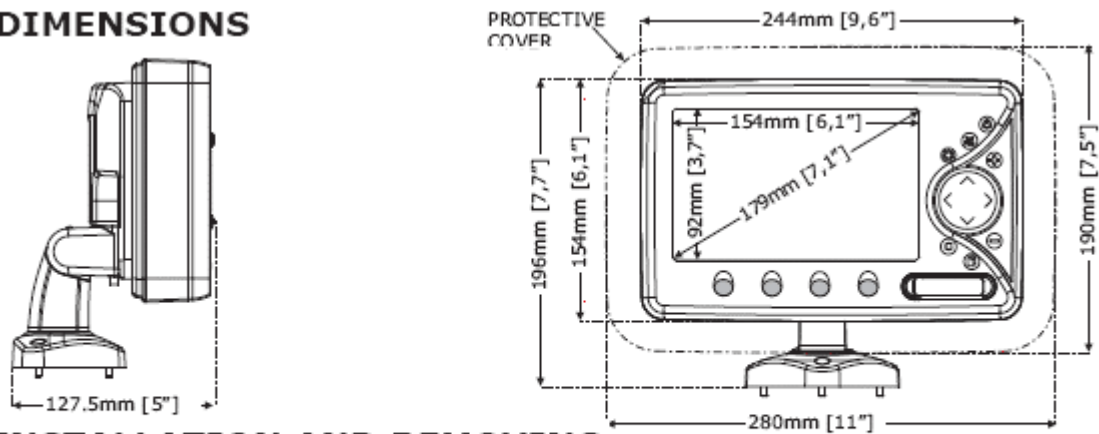
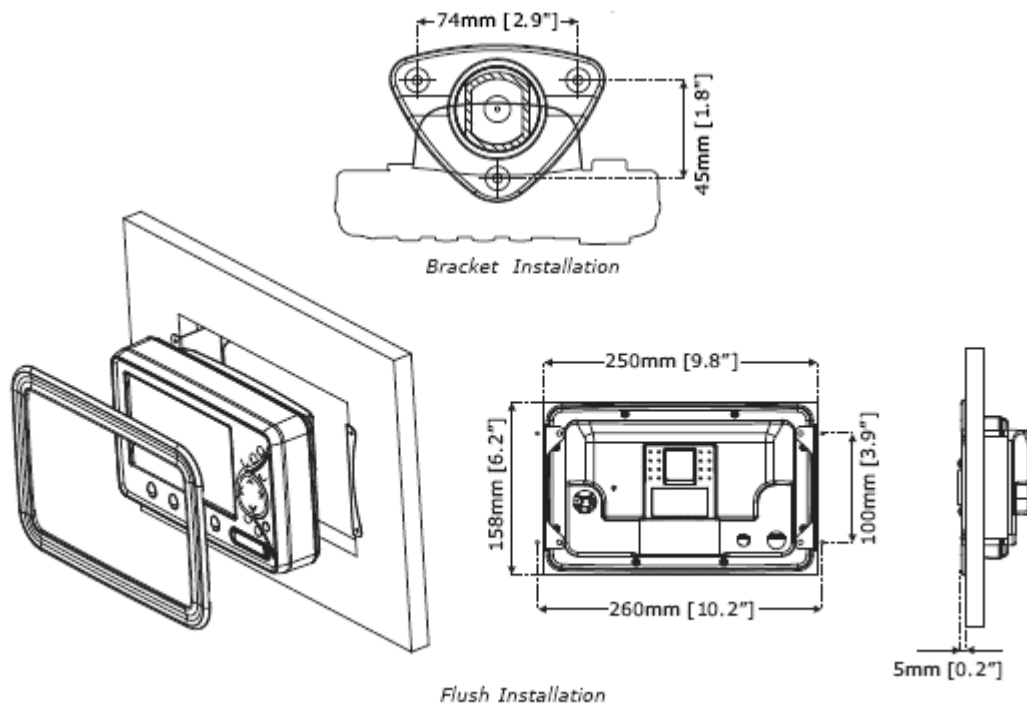
- Auto Off
- Arrival Alarm
- XTE Alarm
- Anchor Alarm
- Depth Alarm
- HDOP Alarm
- Heading Alarm
- Grounding Alarm
- Grounding Depth Limit Alarm
- Grounding Alarm Range
- External Alarm

Technical specifications

- Microprocessor: ARM9 S32442MSP3 300 Mhz
- Display: 7 " TFT LCD Colour
- Sunlight viewable Display
- Resolution: 800x480
- Power consumption: 18W (1.5 A @ 12 V)
- Supply Voltage: 10-35 Vdc
- Cartridge slots: 1 x SD-Card
- GPS Antenna: SW701ce external with cable
- Operating temperature: 0-55 °C
- Frequency: 50/200 Khz
- Depth Range*:
 - 1KW/200kHz : 2.5Ft (0.76m) to 1200Ft (366m), Typical 980Ft (299m);
 - 1KW/50kHz : 5Ft (1.52m) to 4000Ft (1219m), Typical 2700Ft (823m);
 - 600W/200kHz : 2.5Ft (0.76m) to 700Ft (213m), Typical 600 Ft (183m);
 - 600W/50kHz : 5Ft (1.52m) to 1500Ft (457m), Typical 1350 Ft (411m);

* This is not a guaranteed specification. The actual maximum depth capability of the system depends on the type of transducer fitted, the reflectivity of the bottom, water condition, etc.

- Connectors:
 - In/Out NMEA ports: 4 x Nmea 0183
 - Video Input: 1 PAL or NTSC composite video
 - For SW701ce, the GPS connection is made through the quick disconnect bracket
 - Power In/Out: 10 pin

DIMENSIONS**INSTALLATION AND REMOVING****The box contains:**

- #1 SW701ce (P2CJ710BSW);
- #1 Suncover (HPC34AX/A);
- #1 Fuse holder + fuse (K0FUSHV001);
- #1 quick disconnect bracket with Power I/O cable, 1,5mt (K10QDB004A);
- #1 Aux/I/O cable (CBC0FS0804);
- #1 Video In cable with adaptors (CBFS0200SE);
- #1 Cap for Aux I/O (CAP-WABMMLA1);
- #1 Cap for Video In connectors (CAP-WAAPMLA1);
- #1 GPS antenna (UX0GSU42SE);
- #1 GPS cable, 15,0 mt (CBCCFS0801);
- #1 User Manual (English language);