



30" Wine Storage

Better wine storage conditions for the bottle ultimately means better enjoyment in the glass. Model WS-30 is our largest wine storage unit with a capacity of 147 (750 ml) bottles. Two independent storage zones maintain the temperature and humidity that wine — and wine lovers — require. Model WS-30 is available in framed, overlay, flush inset and stainless steel design options.



Model WS-30/S/PH shown.

FEATURES

- Four design options: framed, overlay, flush inset and stainless steel.
- Built-in design allows for dual installation with built-in unit.
- Full-size wine storage with individual temperature control of two separate compartments.
- Maintains ideal storing and serving temperature for all wines, humidity and UV protection.
- Temperature zones range from 38°F to 65°F.
- Full-view, UV-resistant glass door—high altitude glass available.
- Illuminated touch control panel.
- Discreet interior lighting.
- Wine shelves accommodate 750 ml bottles, half-bottles and magnums.
- Roller-glide wine shelves with natural cherrywood facing have three-quarter extension for easy access.
- Illuminated display shelf for prized bottles of wine.
- Can be connected to home security system.
- Star-K compliant with installation of a harness kit.

MODEL OPTIONS

MODEL OPTIONS	WS-30/O	WS-30/S/TH	WS-30/S/PH
Design	Overlay/Framed/Flush Inset	Stainless	Stainless
Grille	Panel	Stainless	Stainless
Handle	*	Tubular	Pro

*Handle not included to allow for design flexibility.

ACCESSORIES

- Grilles for 83" or 88" finished height (84" is standard).
- Flush inset and dual flush inset panels in stainless steel with tubular or pro handles.
- Dual installation kits with and without dual wide grille—84" finished height.
- Side panels in white and stainless steel.
- Stainless steel kickplate.
- Framed grille insert and full-length handles.
- Stainless steel tubular and pro handles.
- UL approved door lock.
- 90° door stop.

Accessories are available through your Sub-Zero dealer. For local dealer information, visit the find a showroom section of our website, subzero.com.

ENEMIES OF WINE

Heat – Two independent storage zones can be set in a range of 38°F to 65°F, with one-degree digital accuracy.

Light – UV resistant bronze tinted glass shields wines from harmful rays.

Humidity – Dual evaporators, one for each storage zone, maintain steady, moderate humidity.

Vibration – Sub-Zero's quiet compressor lets wines rest undisturbed. Shelves glide out smoothly, providing access without agitating the wine.

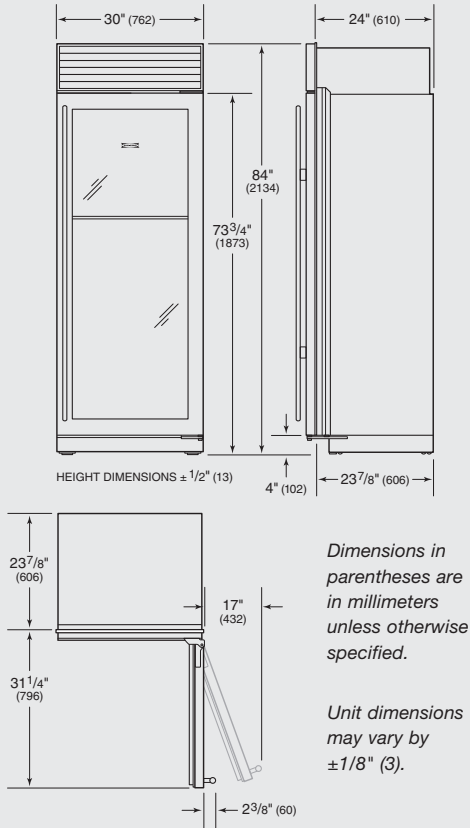
For additional information on the enemies of wine, visit www.subzerowine.com.





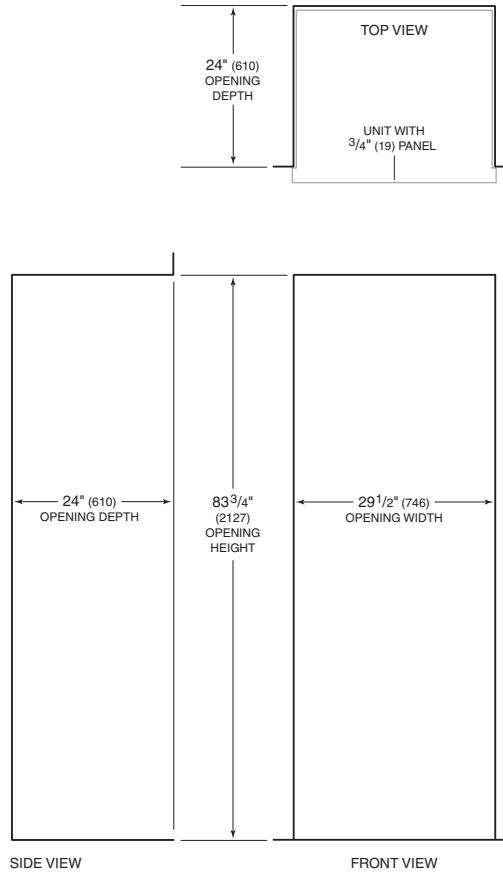
30" Wine Storage

OVERALL DIMENSIONS

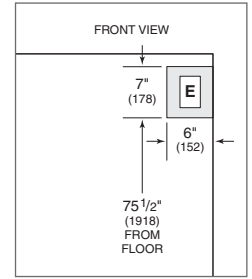


INSTALLATION SPECIFICATIONS

Standard Installation



Location of Electrical Supply



SPECIFICATIONS

Overall Dimensions	30"W x 84" H x 24" D
Door Clearance	Standard 31 1/4" Flush Inset 31 3/4"
Wine Storage Capacity	147 bottles*
Opening Width	29 1/2"
Flush Inset Width	32"
Opening Height	83 3/4"
Flush Inset Height	84"
Opening Depth	24"
Flush Inset Depth	26 3/16"
Electrical Requirements	115 V AC, 60 Hz 15 amp circuit
Shipping Weight	445 lbs

*750 ml bottles.

INSTALLATION NOTES

For overlay models, you will be adding a door panel for a custom look. Overlay models allow you to match surrounding cabinetry hardware, and the panel grille accepts a custom panel insert.

Complete installation specifications, including panel sizes, can be found on our website, subzero.com/specs.

Flush Inset Installation

IMPORTANT NOTE:
Dimensions assume a 3/4" (19) panel thickness.

