



## Built-In Refrigeration Design Guide





## Contents

- 3 Built-In Refrigeration
- 4 Design Options
- 6 Specifications
- 17 Custom Panels
- 32 Full-Scale Templates

Features and specifications are subject to change at any time without notice. Visit [subzero.com/specs](http://subzero.com/specs) for the most up-to-date information.

**IMPORTANT NOTE:** Throughout this guide, dimensions may vary by  $\pm 1/8"$  (3). Dimensions in parentheses are millimeters unless otherwise specified.

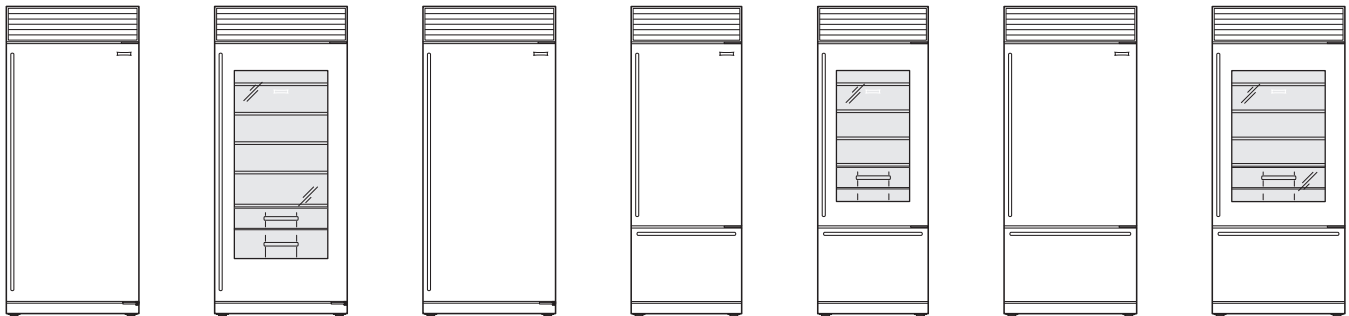
## Built-In Refrigeration

For the built-in line, Sub-Zero designers and engineers took a fresh look at everything, inside and out. Exterior refinements include redesigned grilles and lower-profile hinges. Inside, new technology in food preservation makes the built-in line nothing short of revolutionary.

### KEY FEATURES

- Four distinct design approaches: framed, overlay, flush inset and stainless steel.
- Handle options coordinate with handles of Wolf cooking products.
- Dual refrigeration; two compressors preserve food's goodness in two sealed compartments.
- Energy efficient; many models are ENERGY STAR® qualified.
- Advanced water filtration and air purification systems.
- NEW! French door models requires less space for door clearance to accommodate virtually any-size kitchen.
- NEW! Internal dispenser models provide ice and chilled water inside the refrigerator.
- Crisper and deli drawers form a lower-temperature zone for produce and meats.
- Flip-up grille provides easy access for quick routine maintenance.
- All models are Star-K certified.

### BUILT-IN MODELS



BI-36R

BI-36RG

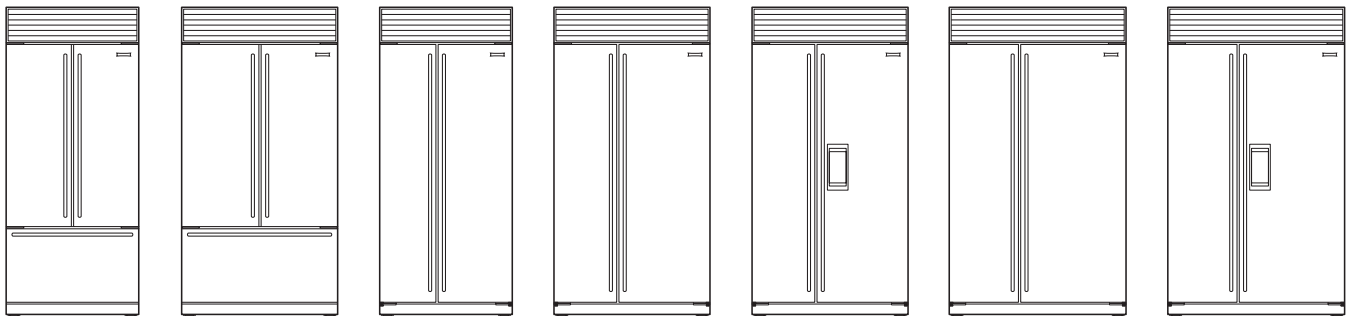
BI-36F

BI-30U

BI-30UG

BI-36U

BI-36UG



BI-36UFD

BI-42UFD

BI-36S

BI-42S(ID)

BI-42SD

BI-48S(ID)

BI-48SD

## Built-In Design Options

### FRAMED

For the classic Sub-Zero look, choose framed custom door panels that contrast with the stainless steel full-length handles and louvered grille (shown). The framed application is an overlay model with framed design features. Panel, grille and handle options are available.

**Panels** | Custom panels, stainless steel or white enamel.

**Grille** | Classic louvered grille insert or solid custom panel for 84" (standard), 83" or 88" overall unit height. Dual wide grille for dual installations.

**Handles** | Full-length standard or extended.

### OVERLAY

Custom overlay door panels can be combined with unique handle hardware for design flexibility. Shown with pro handle option to complement Wolf ranges. Customize with panel, grille and handle options.

**Panels** | Custom panels or stainless steel.

**Grille** | Solid custom panel or pro louvered grille for 84" (standard), 83" or 88" overall unit height. Dual wide grille for dual installations.

**Handles** | Custom, tubular or pro handles.



Framed.



Overlay.

## Built-In Design Options

### FLUSH INSET

The flush inset design option allows for flush door and grille panels and custom handle hardware. Shown with tubular handle option to match Wolf built-in ovens. The flush inset application is an overlay model with flush inset panels. Customize with panel, grille and handle options.

**Panels** | Custom panels or stainless steel.

**Grille** | Solid custom panel or pro louvered grille for 84" (standard), 83" or 88" overall unit height. Dual wide grille for dual installations.

**Handles** | Custom, tubular or pro handles.



Flush inset.

### STAINLESS STEEL

For a professional look, classic stainless steel models require no customization. To complement the look of Wolf ranges, choose the pro handle option (shown). Grille and handle options are available.

**Grille** | Pro louvered grille for 84" (standard), 83" or 88" overall unit height. Dual wide grille for dual installations.

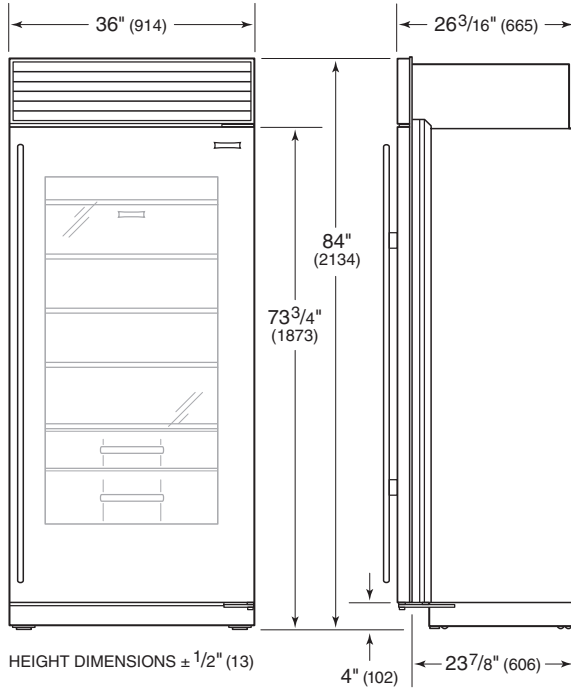
**Handles** | Tubular or pro handles.



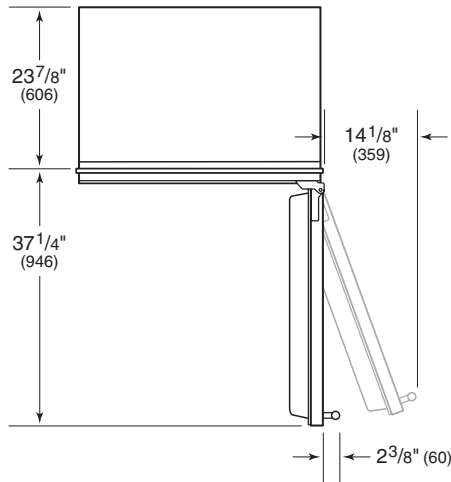
Stainless steel.

## Overall Dimensions

### ALL REFRIGERATOR / ALL FREEZER



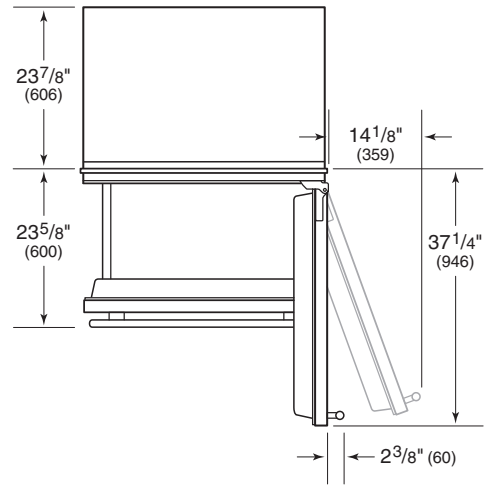
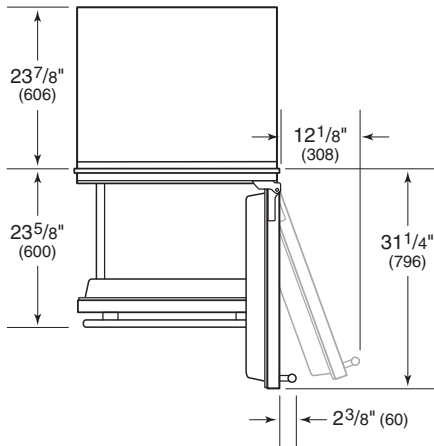
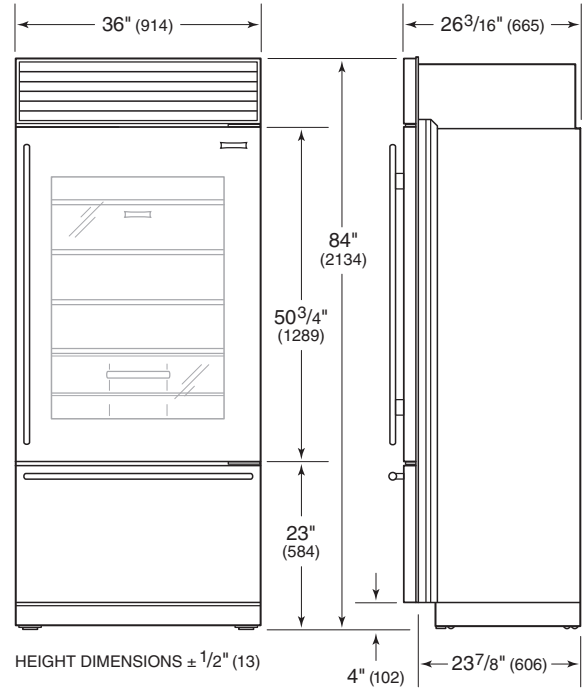
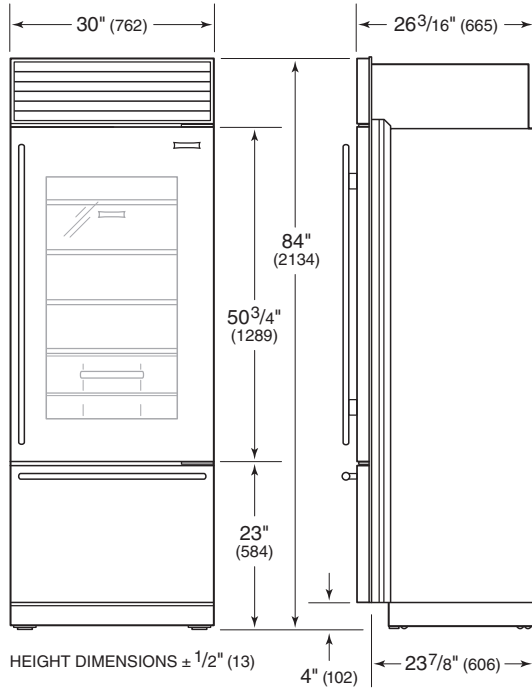
Overall dimensions are based on stainless steel models. For flush inset applications, add 1/2" (13) to door clearance dimensions.



Models BI-36R, BI-36RG and BI-36F.

Overall Dimensions

OVER-AND-UNDER

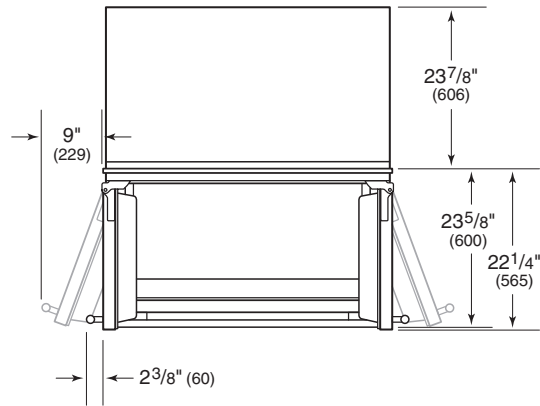
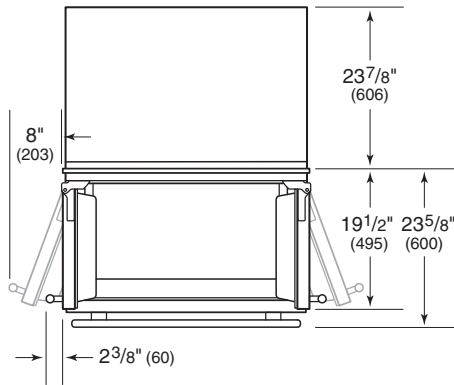
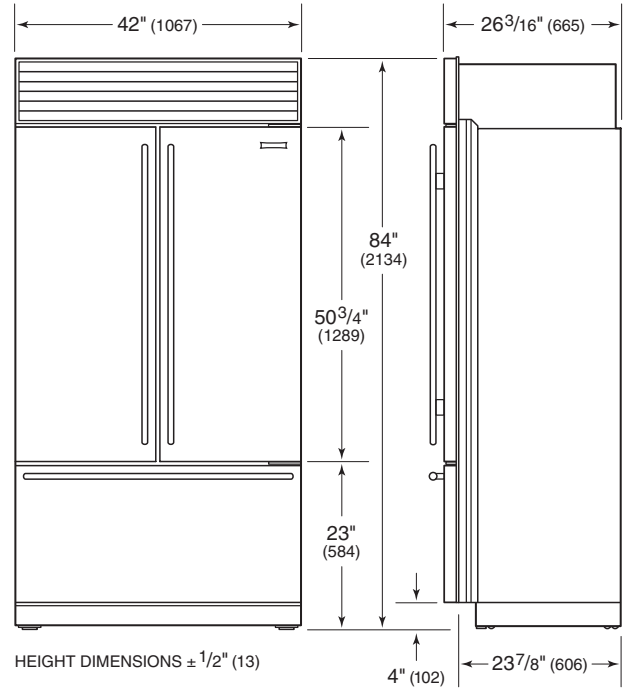
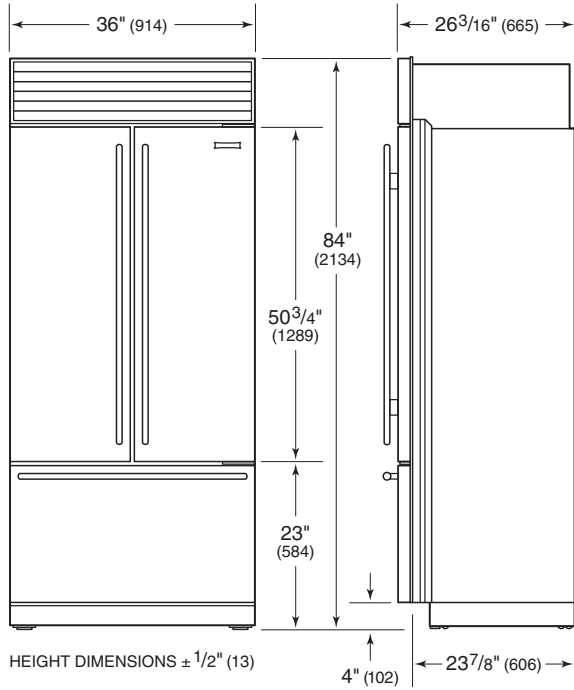


Models BI-30U and BI-30UG.

Models BI-36U and BI-36UG.

Overall Dimensions

OVER-AND-UNDER



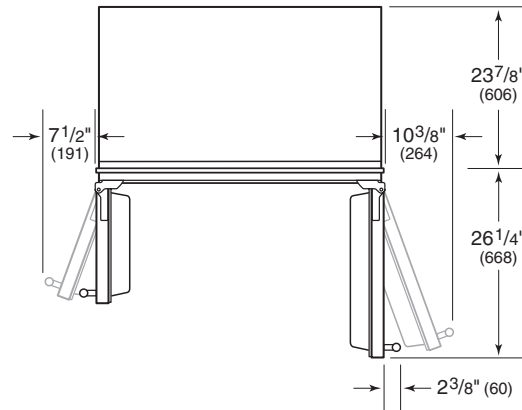
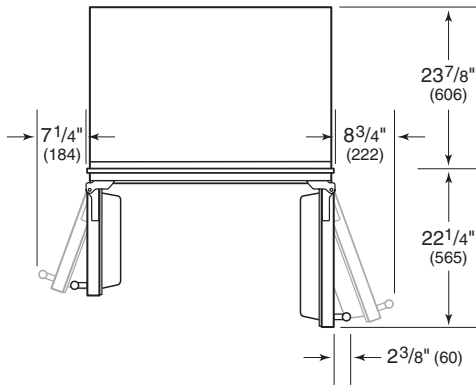
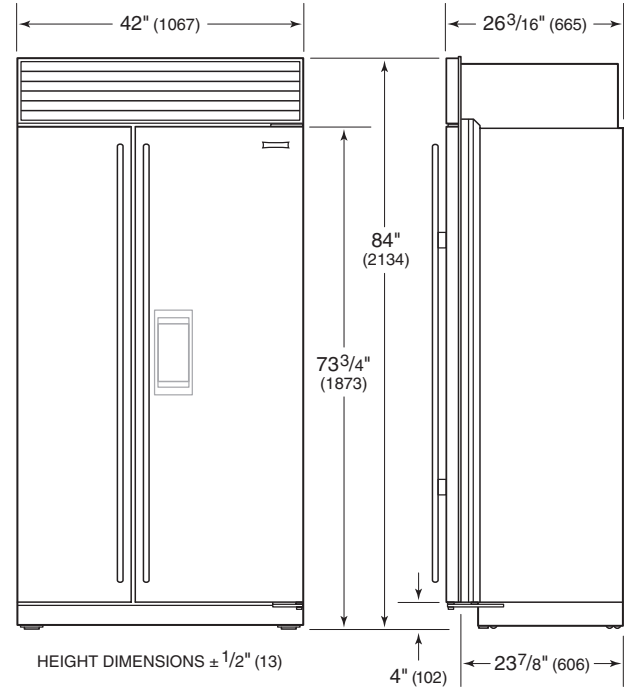
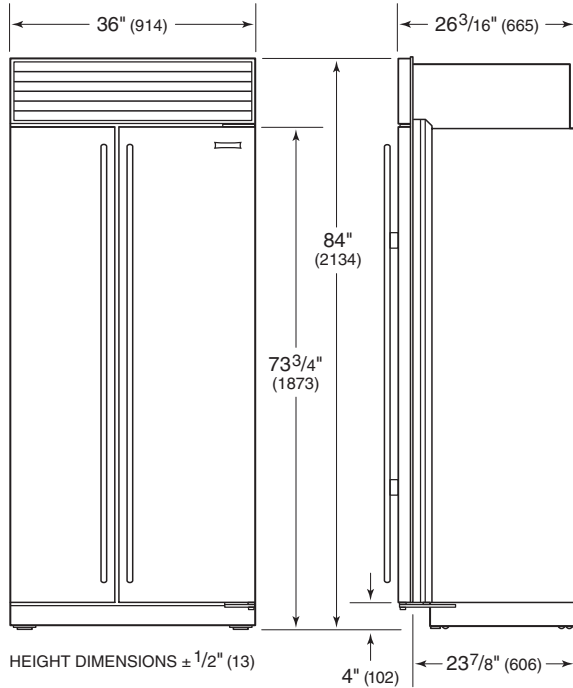
Model BI-36UFD.

Model BI-42UFD.



Overall Dimensions

SIDE-BY-SIDE

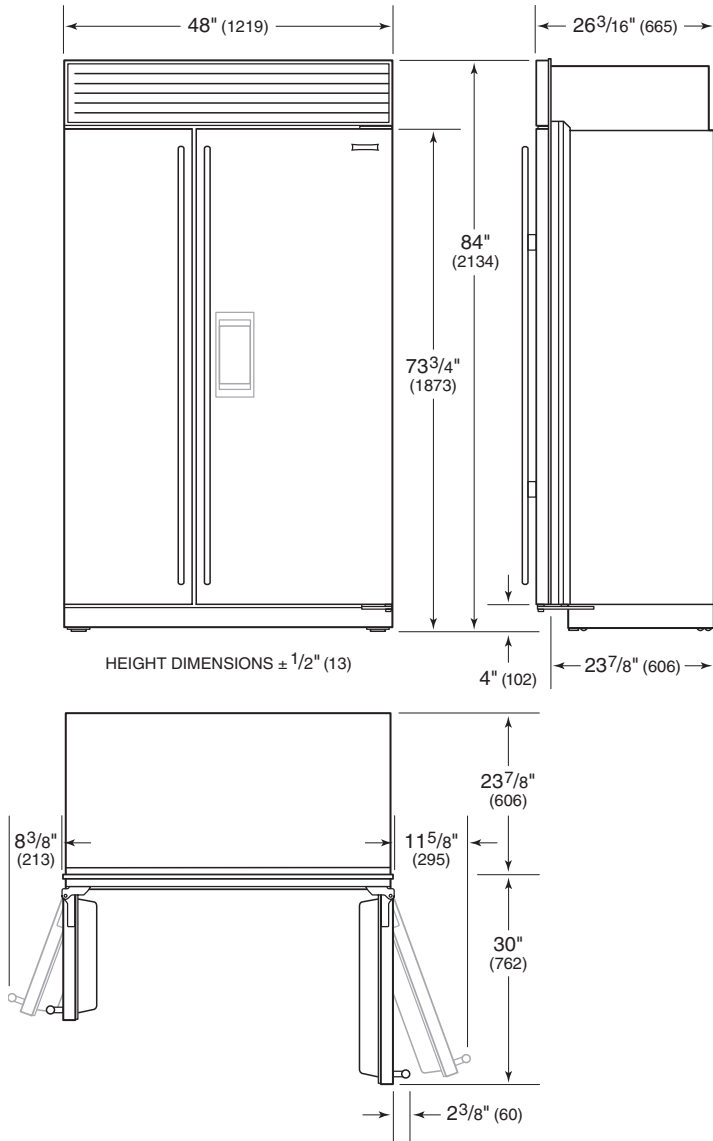


Model BI-36S.

Model BI-42S, BI-42SID and BI-42SD.

### Overall Dimensions

#### SIDE-BY-SIDE



Model BI-48S, BI-48SID and BI-48SD.

## Specifications

### BUILT-IN MODELS

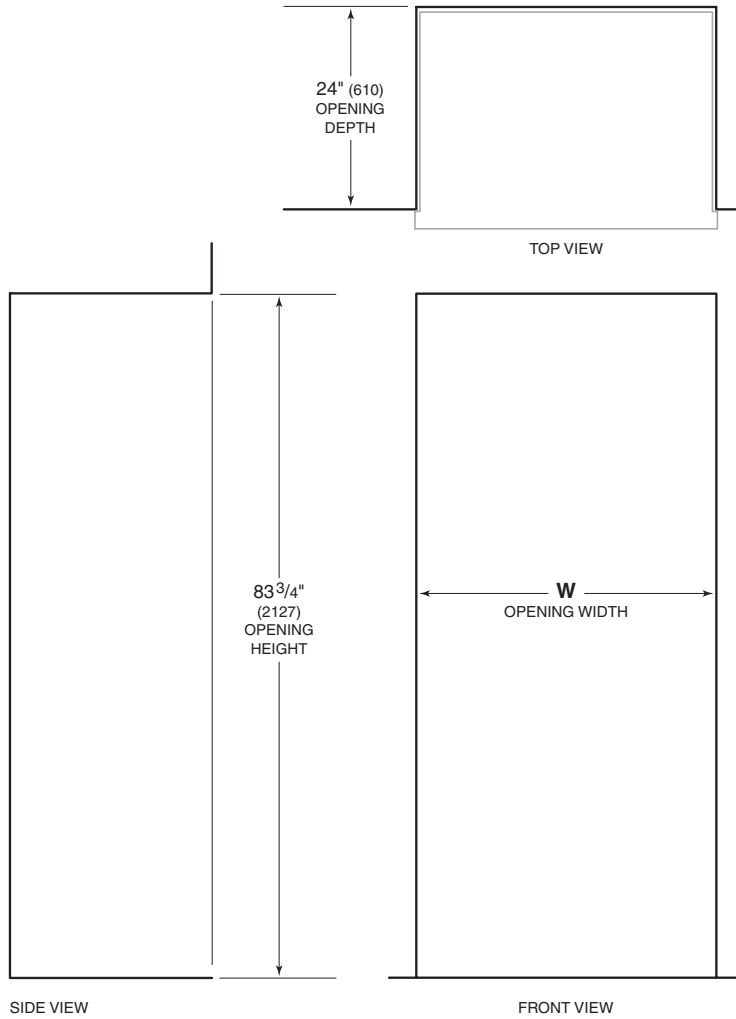
| INTERIOR CAPACITY              |             |             |
|--------------------------------|-------------|-------------|
| ALL REFRIGERATOR / ALL FREEZER | R CU FT (L) | F CU FT (L) |
| BI-36R                         | 23.5 (665)  |             |
| BI-36RG                        | 23.4 (663)  |             |
| BI-36F                         |             | 22.7 (643)  |
| OVER-AND-UNDER                 | R CU FT (L) | F CU FT (L) |
| BI-30U                         | 13.2 (374)  | 4.2 (119)   |
| BI-30UG                        | 13.1 (371)  | 4.2 (119)   |
| BI-36U                         | 16.4 (464)  | 5.3 (150)   |
| BI-36UG                        | 16.3 (462)  | 5.3 (150)   |
| BI-36UFD                       | 15.7 (445)  | 5.3 (150)   |
| BI-42UFD                       | 18.3 (518)  | 6.4 (181)   |
| SIDE-BY-SIDE                   | R CU FT (L) | F CU FT (L) |
| BI-36S                         | 12.4 (351)  | 8.2 (232)   |
| BI-42S                         | 16.3 (462)  | 8.0 (227)   |
| BI-42SID                       | 15.8 (447)  | 7.9 (224)   |
| BI-42SD                        | 16.0 (453)  | 7.9 (224)   |
| BI-48S                         | 19.1 (541)  | 9.8 (278)   |
| BI-48SID                       | 18.6 (527)  | 9.6 (272)   |
| BI-48SD                        | 18.8 (532)  | 9.6 (272)   |

| SHIPPING WEIGHT                |           |
|--------------------------------|-----------|
| ALL REFRIGERATOR / ALL FREEZER | LB (KG)   |
| BI-36R                         | 420 (191) |
| BI-36RG                        | 430 (195) |
| BI-36F                         | 406 (184) |
| OVER-AND-UNDER                 | LB (KG)   |
| BI-30U                         | 462 (210) |
| BI-30UG                        | 476 (216) |
| BI-36U                         | 515 (234) |
| BI-36UG                        | 529 (240) |
| BI-36UFD                       | 529 (240) |
| BI-42UFD                       | 582 (264) |
| SIDE-BY-SIDE                   | LB (KG)   |
| BI-36S                         | 538 (244) |
| BI-42S                         | 582 (264) |
| BI-42SID                       | 608 (276) |
| BI-42SD                        | 608 (276) |
| BI-48S                         | 630 (286) |
| BI-48SID                       | 656 (298) |
| BI-48SD                        | 656 (298) |

Shipping weights are based on stainless steel models.

## Opening Dimensions

### STANDARD INSTALLATION



NOTE: Shaded line represents profile of unit.

#### OPENING WIDTH

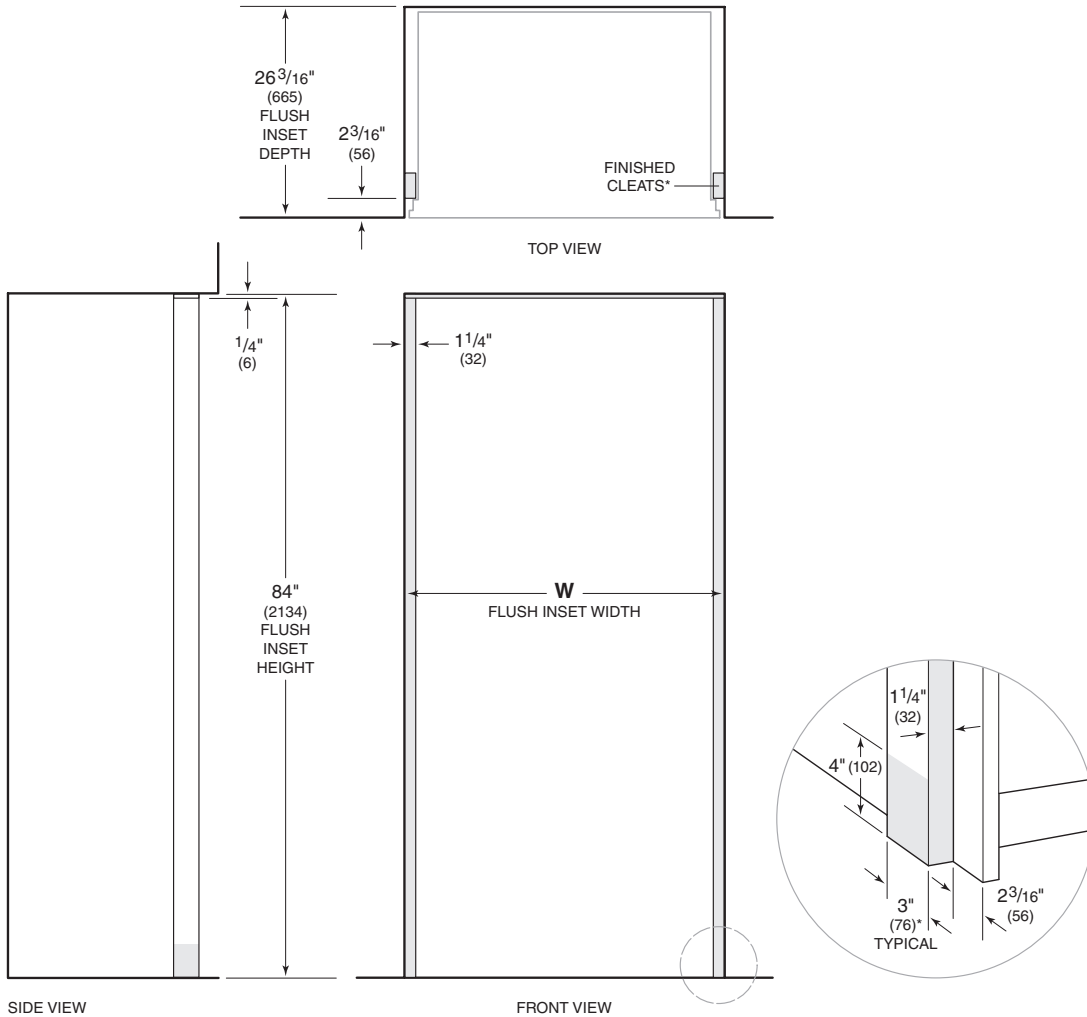
| MODEL                               | W              |
|-------------------------------------|----------------|
| BI-36R, BI-36RG, BI-36F             | 35 1/2" (902)  |
| BI-30U, BI-30UG                     | 29 1/2" (749)  |
| BI-36U, BI-36UG, BI-36UFD, BI-36S   | 35 1/2" (902)  |
| BI-42UFD, BI-42S, BI-42SID, BI-42SD | 41 1/2" (1054) |
| BI-48S, BI-48SID, BI-48SD           | 47 1/2" (1206) |

If an 83" (2108) grille height is specified, the opening height must be decreased by 7/8" (22). If an 88" (2235) grille height is specified, the opening height must be increased by 4" (102).

If two units are installed side by side, refer to page 14 for dual standard installations.

## Opening Dimensions

### FLUSH INSET INSTALLATION



\*3" (76) typical depth. Shaded areas will be visible and should be finished to match cabinetry.  
 NOTE: Shaded line represents profile of unit with  $\frac{3}{4}$ " (19) panel.

| FLUSH INSET WIDTH                   |            |
|-------------------------------------|------------|
| MODEL                               | W          |
| BI-36R, BI-36RG, BI-36F             | 38" (965)  |
| BI-30U, BI-30UG                     | 32" (813)  |
| BI-36U, BI-36UG, BI-36UFD, BI-36S   | 38" (965)  |
| BI-42UFD, BI-42S, BI-42SID, BI-42SD | 44" (1118) |
| BI-48S, BI-48SID, BI-48SD           | 50" (1270) |

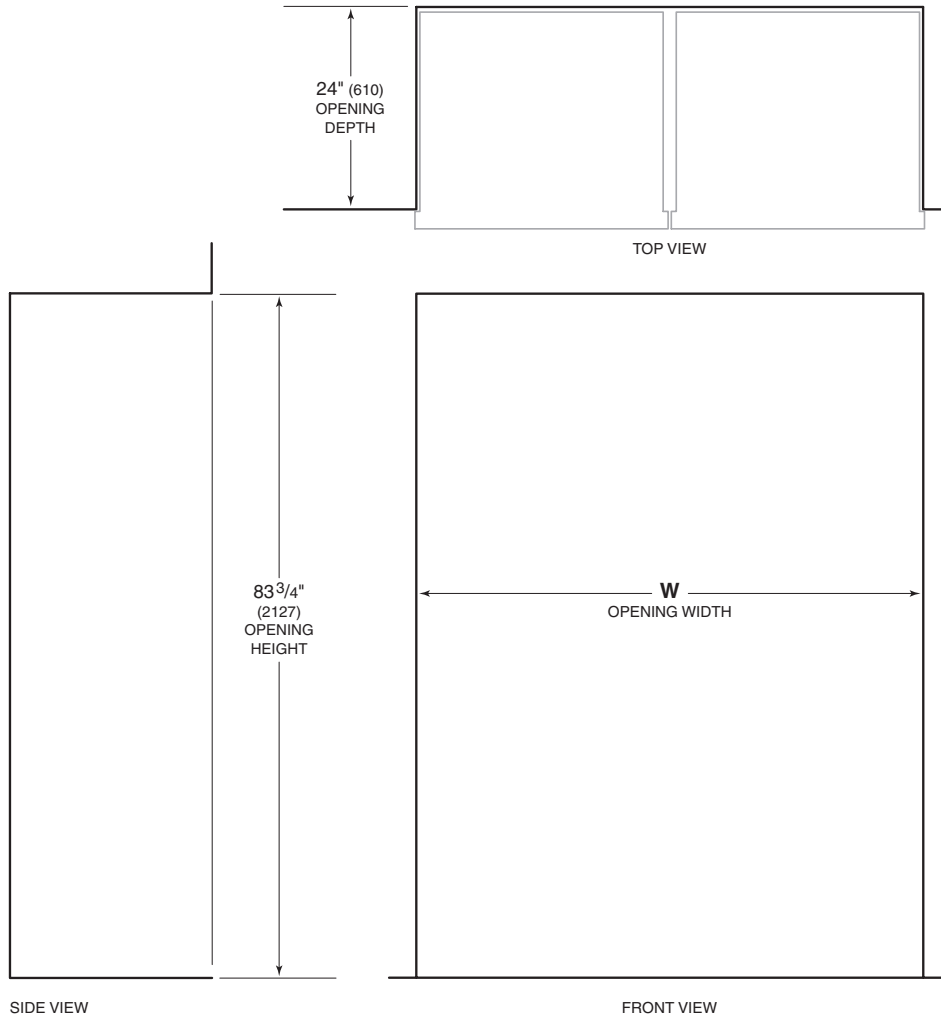
Dimensions assume a  $\frac{3}{4}$ " (19) panel thickness.

If an 83" (2108) grille height is specified, the flush inset height must be decreased by  $\frac{7}{8}$ " (22). If an 88" (2235) grille height is specified, the flush inset height must be increased by 4" (102).

If two units are installed side by side, refer to page 15 for dual flush inset installations.

## Opening Dimensions

### DUAL STANDARD INSTALLATION



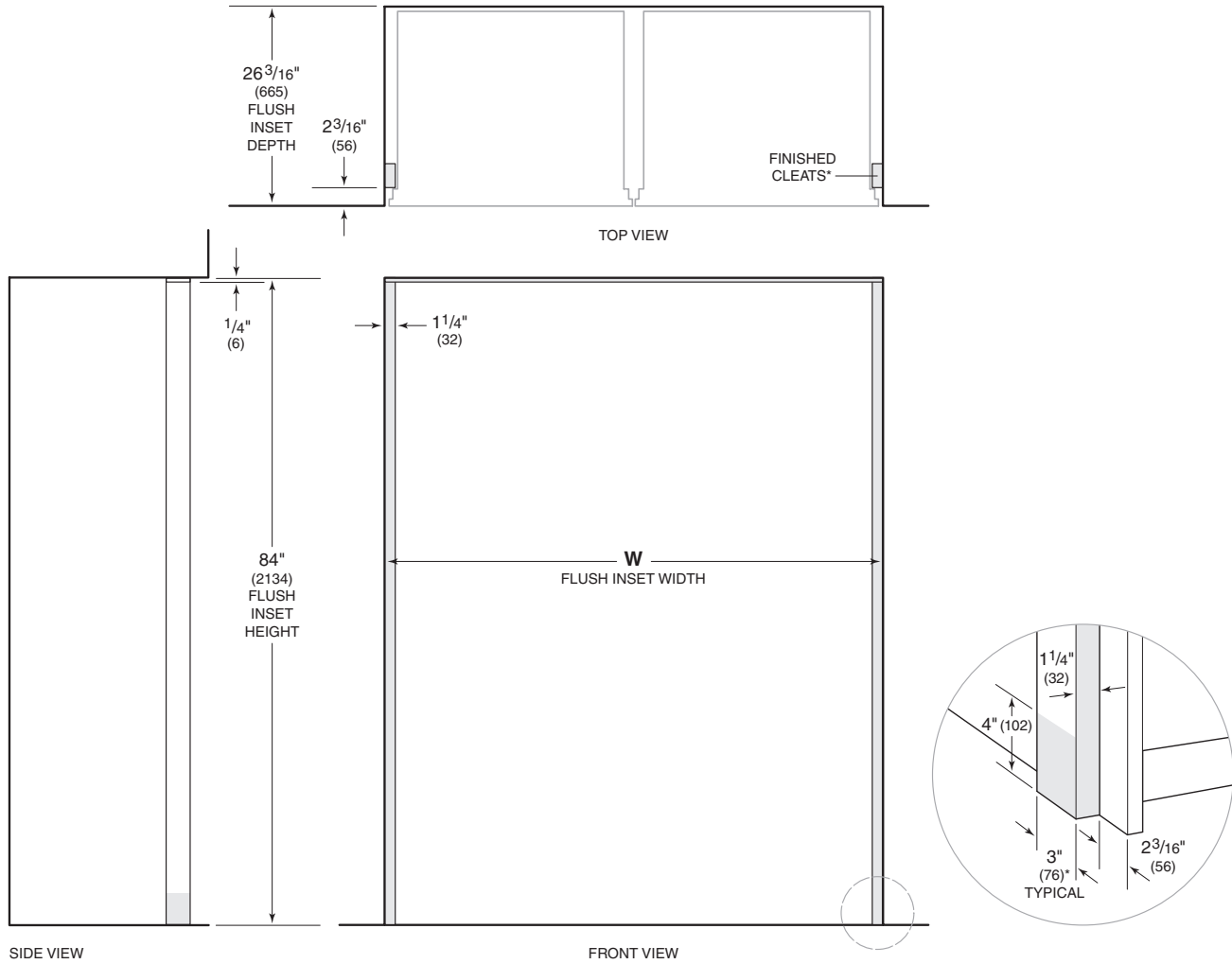
NOTE: Shaded line represents profile of unit.

| OPENING WIDTH           |                |
|-------------------------|----------------|
| <b>MODELS</b>           | <b>W</b>       |
| Two 30" Models          | 59 3/4" (1518) |
| 30" Model and 36" Model | 65 3/4" (1670) |
| Two 36" Models          | 71 3/4" (1822) |

A dual installation kit will be required for this installation.

## Opening Dimensions

### DUAL FLUSH INSET INSTALLATION



\*3" (76) typical depth. Shaded areas will be visible and should be finished to match cabinetry.  
 NOTE: Shaded line represents profile of unit with 3/4" (19) panel.

| FLUSH INSET WIDTH       |                |
|-------------------------|----------------|
| <b>MODELS</b>           | <b>W</b>       |
| Two 30" Models          | 62 1/4" (1581) |
| 30" Model and 36" Model | 68 1/4" (1734) |
| Two 36" Models          | 74 1/4" (1886) |

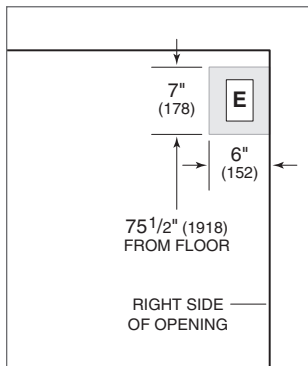
Dimensions assume a 3/4" (19) panel thickness. A dual installation kit will be required for this installation.

### Electrical

The electrical supply should be located within the shaded area shown in the illustration below. A separate circuit, servicing only this appliance is required. A ground fault circuit interrupter (GFCI) is not recommended and may cause interruption of operation.

Installation must comply with all applicable electrical codes.

| ELECTRICAL REQUIREMENTS |                        |
|-------------------------|------------------------|
| Electrical Supply       | 115 VAC, 60 Hz         |
| Service                 | 15 amp                 |
| Receptacle              | 3-prong grounding-type |



Electrical supply location.

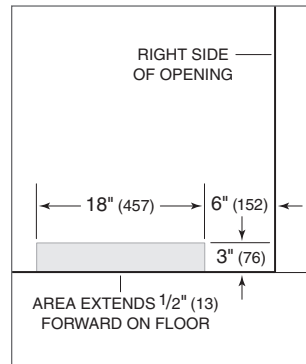
### Plumbing

The water supply line should be located within the shaded area shown in the illustration below. The water supply line should be connected to the house supply with an easily accessible shut-off valve. Do not use self-piercing valves. The water supply line must not interfere with installation of the anti-tip brackets.

A reverse osmosis system can be used provided there is constant water pressure of 35–120 psi (2.4–8.3 bar) supplied to the unit at all times. A copper line is not recommended for this application.

Installation must comply with all applicable plumbing codes.

| PLUMBING REQUIREMENTS      |   |
|----------------------------|---|
| Water Supply               | 1/4" OD copper, braided stainless steel or PEX tubing |
| Pressure                   | 35–120 psi (2.4–8.3 bar)                              |
| Excess Line for Connection | 36" (914)   |



Water supply location.



### Custom Panels

For framed, overlay and flush inset applications, custom door panels must be provided. Handle hardware must also be provided for overlay and flush inset applications. Refer to panel requirements below and the charts on pages 20–25 for custom panel dimensions for your specific design application.

**IMPORTANT NOTE:** Do not cover a glass door with a solid panel.

Finish all sides of the custom panels. They may be visible when the door is open or through the window of glass door models.

| PANEL REQUIREMENTS      |               |
|-------------------------|---------------|
| <b>PANEL WEIGHT</b>     | <b>MAX</b>    |
| BI-36R, BI-36RG, BI-36F | 75 lb (34 kg) |
| All Other Models        | 50 lb (23 kg) |
| Grille Panel            | 13 lb (6 kg)  |
| <b>PANEL THICKNESS</b>  | <b>MIN</b>    |
| Framed                  | 1/4" (6)      |
| Overlay and Flush Inset | 5/8" (16)     |

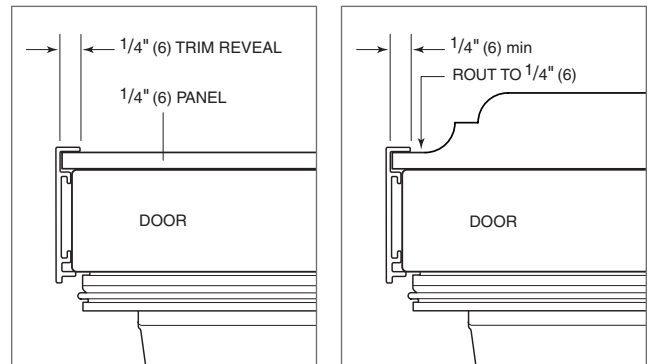
### FRAMED PANELS

The framed application is an overlay model with framed design features. It is not a separate model.

If the custom panel is thinner than 1/4" (6), a filler material must be added to achieve a proper fit. If the panel is thicker than 1/4" (6), rout an edge around the panel or mount the custom panel on a sheet of 1/4" (6) thick material and insert into the channel. Refer to the illustrations below.

Routing, recessing or optional extended handles may be required for finger clearance. Refer to the full-scale template on page 32.

When installing two units side by side, refer to page 14 for dual standard installations.



Panel 1/4" thick or less.

Panel thicker than 1/4".

## Custom Panels

### PARTIAL FRAMED OPTION

The partial framed kit includes a stainless steel panel for above and below the external dispenser. Refer to the chart below for panel width. The kit is available through an authorized Sub-Zero dealer. For local dealer information, visit the find a showroom section of our website, subzero.com.

| PARTIAL FRAMED PANEL |   |
|----------------------|---|
| MODEL                | WIDTH                                   |
| BI-42SD              | 15 <sup>1</sup> / <sub>16</sub> " (383) |
| BI-48SD              | 18 <sup>3</sup> / <sub>4</sub> " (476)  |

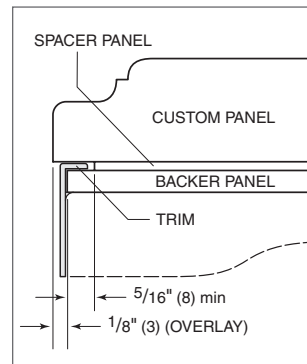
### PANEL MOUNTING KIT

A Sub-Zero custom panel mounting kit eliminates the need for a backer and spacer panel and is available through an authorized Sub-Zero dealer. For local dealer information, visit the find a showroom section of our website, subzero.com. The kit consists of mounting cleats, screws and gages used to properly position the cleats. The kit is available for all built-in models except glass door models. Dual installations require two mounting kits.

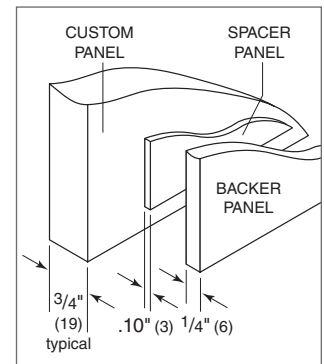
### OVERLAY PANELS

Overlay panels are typically created by combining a <sup>3</sup>/<sub>4</sub>" (19) custom panel, a .10" (3) spacer panel and a <sup>1</sup>/<sub>4</sub>" (6) backer panel. Refer to the illustrations below.

When installing two units side by side, refer to page 14 for dual standard installations.



Panel assembly cross section (overlay).



Panel assembly rear view.

## Custom Panels

### FLUSH INSET PANELS

The flush inset application is an overlay model with flush inset panels. It is not a separate model.

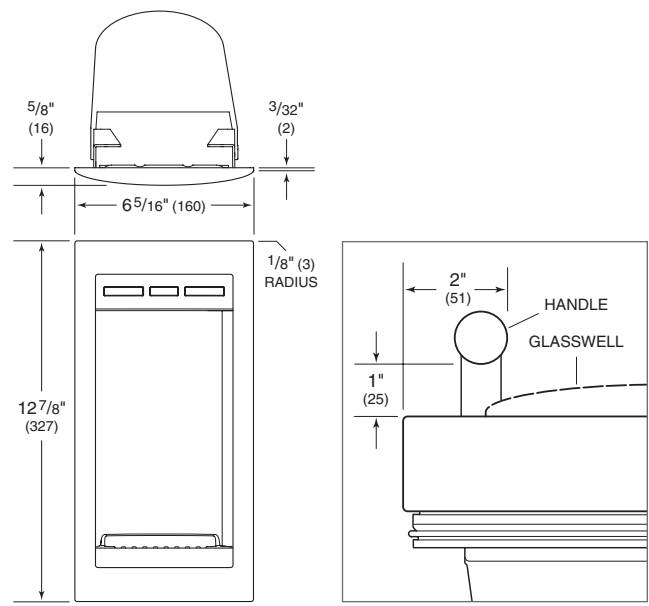
The flush inset design allows custom panels to be installed flush with adjacent cabinets. Similar to overlay, flush inset panels are typically created by combining a  $\frac{3}{4}$ " (19) custom panel, a .10" (3) spacer panel and a  $\frac{1}{4}$ " (6) backer panel. Refer to the illustrations for overlay panels.

For flush inset panels thicker than  $\frac{3}{4}$ " (19), a 90° door stop may be required to prevent interference with adjacent cabinets. Refer to the full-scale templates at the end of this guide.

When installing two units side by side, refer to page 15 for dual flush inset installations.

### ICE AND WATER DISPENSER

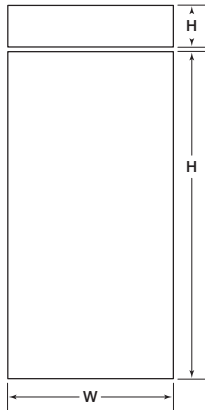
For models BI-42SD and BI-48SD, the refrigerator door panel must include a cut-out to accommodate the external dispenser. The thickness of the panel in this area can range from  $\frac{1}{4}$ " (6) to a maximum of  $1\frac{1}{8}$ " (29). Refer to the illustrations below.



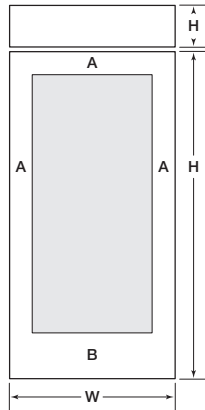
Dispenser dimensions.

Handle placement.

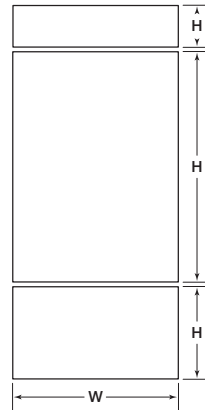
### Framed Panel Dimensions



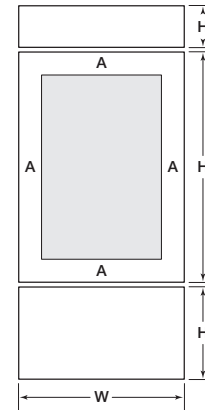
BI-36R / BI-36F



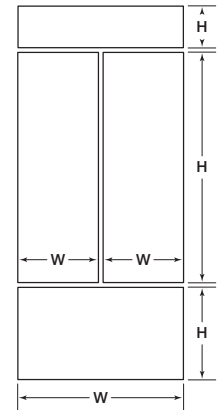
BI-36RG



BI-30U / BI-36U



BI-30UG / BI-36UG



BI-36UFD / BI-42UFD

| MODEL BI-36R, BI-36RG, BI-36F |  |  |  |
|-------------------------------|--|--|--|
| <b>REFRIGERATOR/FREEZER</b>   | <b>W</b>                               | <b>H</b>                                 |  |
| Door Panel                    | 35 <sup>3</sup> / <sub>4</sub> " (908) | 69 <sup>9</sup> / <sub>16</sub> " (1767) |  |
| <b>GRILLE (OPTIONAL)</b>      | <b>W</b>                               | <b>H</b>                                 |  |
| Grille Panel                  | 35 <sup>3</sup> / <sub>4</sub> " (908) | 8 <sup>15</sup> / <sub>16</sub> " (227)  |  |
| <b>BI-36RG</b>                | <b>A</b>                               | <b>B</b>                                 |  |
| Stiles / Rails                | 5 <sup>3</sup> / <sub>16</sub> " (132) | 10 <sup>5</sup> / <sub>16</sub> " (262)  |  |

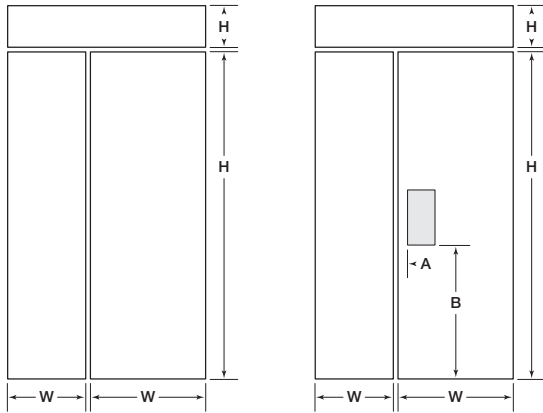
| MODEL BI-30U, BI-30UG    |  |   |  |
|--------------------------|--|---|--|
| <b>REFRIGERATOR</b>      | <b>W</b>                               | <b>H</b>                                  |  |
| Door Panel               | 29 <sup>3</sup> / <sub>4</sub> " (756) | 49 <sup>15</sup> / <sub>16</sub> " (1268) |  |
| <b>FREEZER</b>           | <b>W</b>                               | <b>H</b>                                  |  |
| Drawer Panel             | 29 <sup>3</sup> / <sub>4</sub> " (756) | 18 <sup>11</sup> / <sub>16</sub> " (475)  |  |
| <b>GRILLE (OPTIONAL)</b> | <b>W</b>                               | <b>H</b>                                  |  |
| Grille Panel             | 29 <sup>3</sup> / <sub>4</sub> " (756) | 8 <sup>15</sup> / <sub>16</sub> " (227)   |  |
| <b>BI-30UG</b>           | <b>A</b>                               |   |  |
| Stiles / Rails           |  | 5 <sup>3</sup> / <sub>16</sub> " (132)    |  |

| MODEL BI-36U, BI-36UG    |  |   |  |
|--------------------------|--|---|--|
| <b>REFRIGERATOR</b>      | <b>W</b>                               | <b>H</b>                                  |  |
| Door Panel               | 35 <sup>3</sup> / <sub>4</sub> " (908) | 49 <sup>15</sup> / <sub>16</sub> " (1268) |  |
| <b>FREEZER</b>           | <b>W</b>                               | <b>H</b>                                  |  |
| Drawer Panel             | 35 <sup>3</sup> / <sub>4</sub> " (908) | 18 <sup>11</sup> / <sub>16</sub> " (475)  |  |
| <b>GRILLE (OPTIONAL)</b> | <b>W</b>                               | <b>H</b>                                  |  |
| Grille Panel             | 35 <sup>3</sup> / <sub>4</sub> " (908) | 8 <sup>15</sup> / <sub>16</sub> " (227)   |  |
| <b>BI-36UG</b>           |  | <b>A</b>                                  |  |
| Stiles / Rails           |  | 5 <sup>3</sup> / <sub>16</sub> " (132)    |  |

| MODEL BI-36UFD                 |  |   |  |
|--------------------------------|--|---|--|
| <b>REFRIGERATOR (2 PANELS)</b> | <b>W</b>                               | <b>H</b>                                  |  |
| Door Panels                    | 17 <sup>5</sup> / <sub>8</sub> " (448) | 49 <sup>15</sup> / <sub>16</sub> " (1268) |  |
| <b>FREEZER</b>                 | <b>W</b>                               | <b>H</b>                                  |  |
| Drawer Panel                   | 35 <sup>3</sup> / <sub>4</sub> " (908) | 18 <sup>11</sup> / <sub>16</sub> " (475)  |  |
| <b>GRILLE (OPTIONAL)</b>       | <b>W</b>                               | <b>H</b>                                  |  |
| Grille Panel                   | 35 <sup>3</sup> / <sub>4</sub> " (908) | 8 <sup>15</sup> / <sub>16</sub> " (227)   |  |

| MODEL BI-42UFD                 |   |   |  |
|--------------------------------|---|---|--|
| <b>REFRIGERATOR (2 PANELS)</b> | <b>W</b>                                | <b>H</b>                                  |  |
| Door Panels                    | 20 <sup>5</sup> / <sub>8</sub> " (524)  | 49 <sup>15</sup> / <sub>16</sub> " (1268) |  |
| <b>FREEZER</b>                 | <b>W</b>                                | <b>H</b>                                  |  |
| Drawer Panel                   | 41 <sup>3</sup> / <sub>4</sub> " (1060) | 18 <sup>11</sup> / <sub>16</sub> " (475)  |  |
| <b>GRILLE (OPTIONAL)</b>       | <b>W</b>                                | <b>H</b>                                  |  |
| Grille Panel                   | 41 <sup>3</sup> / <sub>4</sub> " (1060) | 8 <sup>15</sup> / <sub>16</sub> " (227)   |  |

### Framed Panel Dimensions



BI-36S / BI-42S / BI-42SID  
BI-48S / BI-48SID

BI-42SD / BI-48SD

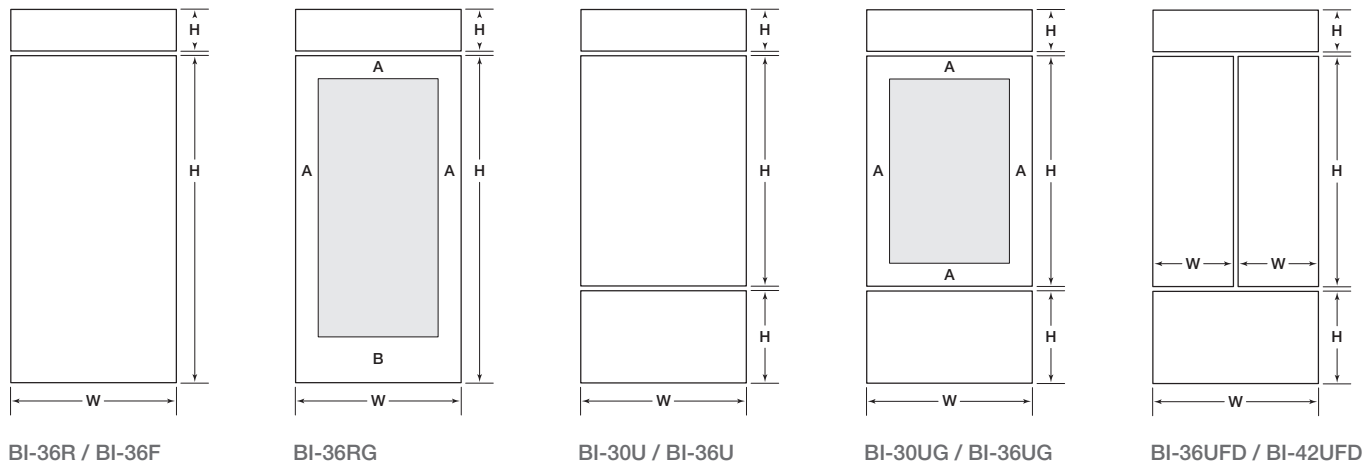
| MODEL BI-36S             |  |  |  |
|--------------------------|--|--|--|
| <b>REFRIGERATOR</b>      | <b>W</b>                                 | <b>H</b>                                 |  |
| Door Panel               | 19 <sup>13</sup> / <sub>16</sub> " (503) | 69 <sup>9</sup> / <sub>16</sub> " (1767) |  |
| <b>FREEZER</b>           | <b>W</b>                                 | <b>H</b>                                 |  |
| Door Panel               | 15 <sup>7</sup> / <sub>16</sub> " (392)  | 69 <sup>9</sup> / <sub>16</sub> " (1767) |  |
| <b>GRILLE (OPTIONAL)</b> | <b>W</b>                                 | <b>H</b>                                 |  |
| Grille Panel             | 35 <sup>3</sup> / <sub>4</sub> " (908)   | 8 <sup>15</sup> / <sub>16</sub> " (227)  |  |

| MODEL BI-42S, BI-42SID, BI-42SD |  |  |  |
|---------------------------------|--|--|--|
| <b>REFRIGERATOR</b>             | <b>W</b>                                 | <b>H</b>                                 |  |
| Door Panel                      | 24 <sup>13</sup> / <sub>16</sub> " (630) | 69 <sup>9</sup> / <sub>16</sub> " (1767) |  |
| <b>FREEZER</b>                  | <b>W</b>                                 | <b>H</b>                                 |  |
| Door Panel                      | 16 <sup>7</sup> / <sub>16</sub> " (418)  | 69 <sup>9</sup> / <sub>16</sub> " (1767) |  |
| <b>GRILLE (OPTIONAL)</b>        | <b>W</b>                                 | <b>H</b>                                 |  |
| Grille Panel                    | 41 <sup>3</sup> / <sub>4</sub> " (1060)  | 8 <sup>15</sup> / <sub>16</sub> " (227)  |  |
| <b>BI-42SD</b>                  | <b>W</b>                                 | <b>H</b>                                 |  |
| Dispenser Cut-Out*              | 5 <sup>7</sup> / <sub>8</sub> " (149)    | 12 <sup>7</sup> / <sub>16</sub> " (316)  |  |
| Cut-Out Location                | 1 <sup>7</sup> / <sub>8</sub> " (48)     | 28 <sup>3</sup> / <sub>4</sub> " (730)   |  |

| MODEL BI-48S, BI-48SID, BI-48SD |   |  |  |
|---------------------------------|---|--|--|
| <b>REFRIGERATOR</b>             | <b>W</b>                                | <b>H</b>                                 |  |
| Door Panel                      | 28 <sup>1</sup> / <sub>2</sub> " (724)  | 69 <sup>9</sup> / <sub>16</sub> " (1767) |  |
| <b>FREEZER</b>                  | <b>W</b>                                | <b>H</b>                                 |  |
| Door Panel                      | 18 <sup>3</sup> / <sub>4</sub> " (476)  | 69 <sup>9</sup> / <sub>16</sub> " (1767) |  |
| <b>GRILLE (OPTIONAL)</b>        | <b>W</b>                                | <b>H</b>                                 |  |
| Grille Panel                    | 47 <sup>3</sup> / <sub>4</sub> " (1213) | 8 <sup>15</sup> / <sub>16</sub> " (227)  |  |
| <b>BI-48SD</b>                  | <b>W</b>                                | <b>H</b>                                 |  |
| Dispenser Cut-Out*              | 5 <sup>7</sup> / <sub>8</sub> " (149)   | 12 <sup>7</sup> / <sub>16</sub> " (316)  |  |
| Cut-Out Location                | 1 <sup>7</sup> / <sub>8</sub> " (48)    | 28 <sup>3</sup> / <sub>4</sub> " (730)   |  |

\*For models BI-42SD and BI-48SD, panel thickness in the dispenser area can range from 1/4" (6) to a maximum of 1 1/8" (29). If the panel is thicker, you must rout out a minimum 1/4" (6) flat landing area to accommodate the dispenser.

### Overlay Panel Dimensions



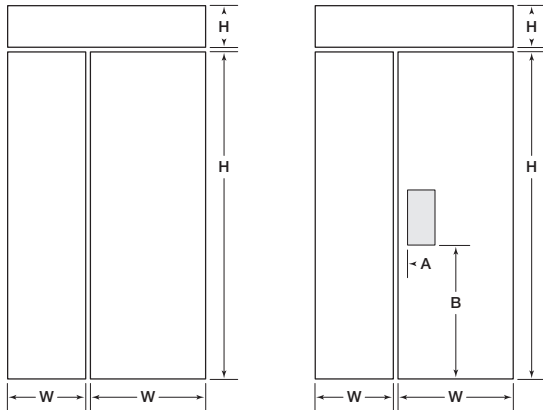
| MODEL BI-36R, BI-36RG, BI-36F |  |   |          |
|-------------------------------|--|---|----------|
| <b>REFRIGERATOR / FREEZER</b> |  | <b>W</b>                                  | <b>H</b> |
| Overlay Panel                 | 36" (914)                              | 69 <sup>3</sup> / <sub>4</sub> " (1772)   |          |
| Spacer Panel                  | 35 <sup>1</sup> / <sub>8</sub> " (892) | 68 <sup>15</sup> / <sub>16</sub> " (1751) |          |
| Backer Panel                  | 35 <sup>3</sup> / <sub>4</sub> " (908) | 69 <sup>9</sup> / <sub>16</sub> " (1767)  |          |
| <b>GRILLE</b>                 |  | <b>W</b>                                  | <b>H</b> |
| Overlay Panel                 | 36" (914)                              | 9 <sup>1</sup> / <sub>4</sub> " (235)*    |          |
| Spacer Panel                  | 35 <sup>1</sup> / <sub>8</sub> " (892) | 8 <sup>5</sup> / <sub>16</sub> " (211)    |          |
| Backer Panel                  | 35 <sup>3</sup> / <sub>4</sub> " (908) | 8 <sup>15</sup> / <sub>16</sub> " (227)   |          |
| <b>BI-36RG</b>                |  | <b>A</b>                                  | <b>B</b> |
| Stiles / Rails                | 5 <sup>1</sup> / <sub>4</sub> " (133)  | 10 <sup>3</sup> / <sub>8</sub> " (264)    |          |

| MODEL BI-30U, BI-30UG |  |   |          |
|-----------------------|--|---|----------|
| <b>REFRIGERATOR</b>   |  | <b>W</b>                                  | <b>H</b> |
| Overlay Panel         | 30" (762)                              | 50 <sup>1</sup> / <sub>8</sub> " (1273)   |          |
| Spacer Panel          | 29 <sup>1</sup> / <sub>8</sub> " (740) | 49 <sup>5</sup> / <sub>16</sub> " (1253)  |          |
| Backer Panel          | 29 <sup>3</sup> / <sub>4</sub> " (756) | 49 <sup>15</sup> / <sub>16</sub> " (1268) |          |
| <b>FREEZER</b>        |  | <b>W</b>                                  | <b>H</b> |
| Overlay Panel         | 30" (762)                              | 19" (483)                                 |          |
| Spacer Panel          | 29 <sup>1</sup> / <sub>8</sub> " (740) | 18 <sup>1</sup> / <sub>16</sub> " (459)   |          |
| Backer Panel          | 29 <sup>3</sup> / <sub>4</sub> " (756) | 18 <sup>11</sup> / <sub>16</sub> " (475)  |          |
| <b>GRILLE</b>         |  | <b>W</b>                                  | <b>H</b> |
| Overlay Panel         | 30" (762)                              | 9 <sup>1</sup> / <sub>4</sub> " (235)*    |          |
| Spacer Panel          | 29 <sup>1</sup> / <sub>8</sub> " (740) | 8 <sup>5</sup> / <sub>16</sub> " (211)    |          |
| Backer Panel          | 29 <sup>3</sup> / <sub>4</sub> " (756) | 8 <sup>15</sup> / <sub>16</sub> " (227)   |          |
| <b>BI-30UG</b>        |  | <b>A</b>                                  |          |
| Stiles / Rails        |  | 5 <sup>1</sup> / <sub>4</sub> " (133)     |          |

| MODEL BI-36U, BI-36UG |  |   |          |
|-----------------------|--|---|----------|
| <b>REFRIGERATOR</b>   |  | <b>W</b>                                  | <b>H</b> |
| Overlay Panel         | 36" (914)                              | 50 <sup>1</sup> / <sub>8</sub> " (1273)   |          |
| Spacer Panel          | 35 <sup>1</sup> / <sub>8</sub> " (892) | 49 <sup>5</sup> / <sub>16</sub> " (1253)  |          |
| Backer Panel          | 35 <sup>3</sup> / <sub>4</sub> " (908) | 49 <sup>15</sup> / <sub>16</sub> " (1268) |          |
| <b>FREEZER</b>        |  | <b>W</b>                                  | <b>H</b> |
| Overlay Panel         | 36" (914)                              | 19" (483)                                 |          |
| Spacer Panel          | 35 <sup>1</sup> / <sub>8</sub> " (892) | 18 <sup>1</sup> / <sub>16</sub> " (459)   |          |
| Backer Panel          | 35 <sup>3</sup> / <sub>4</sub> " (908) | 18 <sup>11</sup> / <sub>16</sub> " (475)  |          |
| <b>GRILLE</b>         |  | <b>W</b>                                  | <b>H</b> |
| Overlay Panel         | 36" (914)                              | 9 <sup>1</sup> / <sub>4</sub> " (235)*    |          |
| Spacer Panel          | 35 <sup>1</sup> / <sub>8</sub> " (892) | 8 <sup>5</sup> / <sub>16</sub> " (211)    |          |
| Backer Panel          | 35 <sup>3</sup> / <sub>4</sub> " (908) | 8 <sup>15</sup> / <sub>16</sub> " (227)   |          |
| <b>BI-36UG</b>        |  | <b>A</b>                                  |          |
| Stiles / Rails        |  | 5 <sup>1</sup> / <sub>4</sub> " (133)     |          |

| MODEL BI-36UFD                 |   |   |          |
|--------------------------------|---|---|----------|
| <b>REFRIGERATOR (2 PANELS)</b> |   | <b>W</b>                                  | <b>H</b> |
| Overlay Panels                 | 177 <sup>8</sup> / <sub>8</sub> " (454) | 50 <sup>1</sup> / <sub>8</sub> " (1273)   |          |
| Spacer Panels                  | 17" (432)                               | 49 <sup>5</sup> / <sub>16</sub> " (1253)  |          |
| Backer Panels                  | 17 <sup>5</sup> / <sub>8</sub> " (448)  | 49 <sup>15</sup> / <sub>16</sub> " (1268) |          |
| <b>FREEZER</b>                 |   | <b>W</b>                                  | <b>H</b> |
| Overlay Panel                  | 36" (914)                               | 19" (483)                                 |          |
| Spacer Panel                   | 35 <sup>1</sup> / <sub>8</sub> " (892)  | 18 <sup>1</sup> / <sub>16</sub> " (459)   |          |
| Backer Panel                   | 35 <sup>3</sup> / <sub>4</sub> " (908)  | 18 <sup>11</sup> / <sub>16</sub> " (475)  |          |
| <b>GRILLE</b>                  |   | <b>W</b>                                  | <b>H</b> |
| Overlay Panel                  | 36" (914)                               | 9 <sup>1</sup> / <sub>4</sub> " (235)*    |          |
| Spacer Panel                   | 35 <sup>1</sup> / <sub>8</sub> " (892)  | 8 <sup>5</sup> / <sub>16</sub> " (211)    |          |
| Backer Panel                   | 35 <sup>3</sup> / <sub>4</sub> " (908)  | 8 <sup>15</sup> / <sub>16</sub> " (227)   |          |

### Overlay Panel Dimensions



BI-36S / BI-42S / BI-42SID  
BI-48S / BI-48SID

BI-42SD / BI-48SD

| MODEL BI-42UFD                 |   |   |          |
|--------------------------------|---|---|----------|
| <b>REFRIGERATOR (2 PANELS)</b> |   |   |          |
|                                | <b>W</b>                                |   | <b>H</b> |
| Overlay Panels                 | 20 <sup>7</sup> / <sub>8</sub> " (530)  | 50 <sup>1</sup> / <sub>8</sub> " (1273)   |          |
| Spacer Panels                  | 20" (508)                               | 49 <sup>5</sup> / <sub>16</sub> " (1253)  |          |
| Backer Panels                  | 20 <sup>5</sup> / <sub>8</sub> " (524)  | 49 <sup>15</sup> / <sub>16</sub> " (1268) |          |
| <b>FREEZER</b>                 |   |   |          |
|                                | <b>W</b>                                |   | <b>H</b> |
| Overlay Panel                  | 42" (1067)                              | 19" (483)                                 |          |
| Spacer Panel                   | 41 <sup>1</sup> / <sub>8</sub> " (1045) | 18 <sup>1</sup> / <sub>16</sub> " (459)   |          |
| Backer Panel                   | 41 <sup>3</sup> / <sub>4</sub> " (1060) | 18 <sup>11</sup> / <sub>16</sub> " (475)  |          |
| <b>GRILLE</b>                  |   |   |          |
|                                | <b>W</b>                                |   | <b>H</b> |
| Overlay Panel                  | 42" (1067)                              | 9 <sup>1</sup> / <sub>4</sub> " (235)*    |          |
| Spacer Panel                   | 41 <sup>1</sup> / <sub>8</sub> " (1045) | 8 <sup>5</sup> / <sub>16</sub> " (211)    |          |
| Backer Panel                   | 41 <sup>3</sup> / <sub>4</sub> " (1060) | 8 <sup>15</sup> / <sub>16</sub> " (227)   |          |

| MODEL BI-36S        |  |   |          |
|---------------------|--|---|----------|
| <b>REFRIGERATOR</b> |  |   |          |
|                     | <b>W</b>                                 |   | <b>H</b> |
| Overlay Panel       | 20 <sup>1</sup> / <sub>16</sub> " (510)  | 69 <sup>3</sup> / <sub>4</sub> " (1772)   |          |
| Spacer Panel        | 19 <sup>3</sup> / <sub>16</sub> " (487)  | 68 <sup>15</sup> / <sub>16</sub> " (1751) |          |
| Backer Panel        | 19 <sup>13</sup> / <sub>16</sub> " (503) | 69 <sup>9</sup> / <sub>16</sub> " (1767)  |          |
| <b>FREEZER</b>      |  |   |          |
|                     | <b>W</b>                                 |   | <b>H</b> |
| Overlay Panel       | 15 <sup>11</sup> / <sub>16</sub> " (398) | 69 <sup>3</sup> / <sub>4</sub> " (1772)   |          |
| Spacer Panel        | 14 <sup>13</sup> / <sub>16</sub> " (376) | 68 <sup>15</sup> / <sub>16</sub> " (1751) |          |
| Backer Panel        | 15 <sup>7</sup> / <sub>16</sub> " (392)  | 69 <sup>9</sup> / <sub>16</sub> " (1767)  |          |
| <b>GRILLE</b>       |  |   |          |
|                     | <b>W</b>                                 |   | <b>H</b> |
| Overlay Panel       | 36" (914)                                | 9 <sup>1</sup> / <sub>4</sub> " (235)*    |          |
| Spacer Panel        | 35 <sup>1</sup> / <sub>8</sub> " (892)   | 8 <sup>5</sup> / <sub>16</sub> " (211)    |          |
| Backer Panel        | 35 <sup>3</sup> / <sub>4</sub> " (908)   | 8 <sup>15</sup> / <sub>16</sub> " (227)   |          |

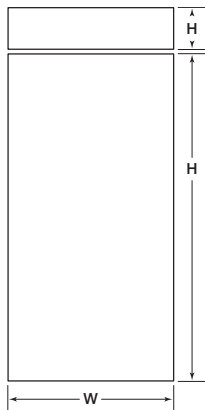
| MODEL BI-42S, BI-42SID, BI-42SD |  |   |          |
|---------------------------------|--|---|----------|
| <b>REFRIGERATOR</b>             |  |   |          |
|                                 | <b>W</b>                                 |   | <b>H</b> |
| Overlay Panel                   | 25 <sup>1</sup> / <sub>16</sub> " (637)  | 69 <sup>3</sup> / <sub>4</sub> " (1772)   |          |
| Spacer Panel                    | 24 <sup>3</sup> / <sub>16</sub> " (614)  | 68 <sup>15</sup> / <sub>16</sub> " (1751) |          |
| Backer Panel                    | 24 <sup>13</sup> / <sub>16</sub> " (630) | 69 <sup>9</sup> / <sub>16</sub> " (1767)  |          |
| <b>FREEZER</b>                  |  |   |          |
|                                 | <b>W</b>                                 |   | <b>H</b> |
| Overlay Panel                   | 16 <sup>11</sup> / <sub>16</sub> " (424) | 69 <sup>3</sup> / <sub>4</sub> " (1772)   |          |
| Spacer Panel                    | 15 <sup>13</sup> / <sub>16</sub> " (402) | 68 <sup>15</sup> / <sub>16</sub> " (1751) |          |
| Backer Panel                    | 16 <sup>7</sup> / <sub>16</sub> " (418)  | 69 <sup>9</sup> / <sub>16</sub> " (1767)  |          |
| <b>GRILLE</b>                   |  |   |          |
|                                 | <b>W</b>                                 |   | <b>H</b> |
| Overlay Panel                   | 42" (1067)                               | 9 <sup>1</sup> / <sub>4</sub> " (235)*    |          |
| Spacer Panel                    | 41 <sup>1</sup> / <sub>8</sub> " (1045)  | 8 <sup>5</sup> / <sub>16</sub> " (211)    |          |
| Backer Panel                    | 41 <sup>3</sup> / <sub>4</sub> " (1060)  | 8 <sup>15</sup> / <sub>16</sub> " (227)   |          |
| <b>BI-42SD</b>                  |  |   |          |
|                                 | <b>W</b>                                 |   | <b>H</b> |
| Dispenser Cut-Out               | 5 <sup>7</sup> / <sub>8</sub> " (149)    | 12 <sup>7</sup> / <sub>16</sub> " (316)   |          |
|                                 | <b>A</b>                                 | <b>B</b>                                  |          |
| Cut-Out Location                | 2" (51)                                  | 28 <sup>13</sup> / <sub>16</sub> " (732)  |          |

| MODEL BI-48S, BI-48SID, BI-48SD |   |   |          |
|---------------------------------|---|---|----------|
| <b>REFRIGERATOR</b>             |   |   |          |
|                                 | <b>W</b>                                |   | <b>H</b> |
| Overlay Panel                   | 28 <sup>3</sup> / <sub>4</sub> " (730)  | 69 <sup>3</sup> / <sub>4</sub> " (1772)   |          |
| Spacer Panel                    | 27 <sup>7</sup> / <sub>8</sub> " (708)  | 68 <sup>15</sup> / <sub>16</sub> " (1751) |          |
| Backer Panel                    | 28 <sup>1</sup> / <sub>2</sub> " (724)  | 69 <sup>9</sup> / <sub>16</sub> " (1767)  |          |
| <b>FREEZER</b>                  |   |   |          |
|                                 | <b>W</b>                                |   | <b>H</b> |
| Overlay Panel                   | 19" (483)                               | 69 <sup>3</sup> / <sub>4</sub> " (1772)   |          |
| Spacer Panel                    | 18 <sup>1</sup> / <sub>8</sub> " (460)  | 68 <sup>15</sup> / <sub>16</sub> " (1751) |          |
| Backer Panel                    | 18 <sup>3</sup> / <sub>4</sub> " (476)  | 69 <sup>9</sup> / <sub>16</sub> " (1767)  |          |
| <b>GRILLE</b>                   |   |   |          |
|                                 | <b>W</b>                                |   | <b>H</b> |
| Overlay Panel                   | 48" (1219)                              | 9 <sup>1</sup> / <sub>4</sub> " (235)*    |          |
| Spacer Panel                    | 47 <sup>1</sup> / <sub>8</sub> " (1197) | 8 <sup>5</sup> / <sub>16</sub> " (211)    |          |
| Backer Panel                    | 47 <sup>3</sup> / <sub>4</sub> " (1213) | 8 <sup>15</sup> / <sub>16</sub> " (227)   |          |
| <b>BI-48SD</b>                  |   |   |          |
|                                 | <b>W</b>                                |   | <b>H</b> |
| Dispenser Cut-Out               | 5 <sup>7</sup> / <sub>8</sub> " (149)   | 12 <sup>7</sup> / <sub>16</sub> " (316)   |          |
|                                 | <b>A</b>                                | <b>B</b>                                  |          |
| Cut-Out Location                | 2" (51)                                 | 28 <sup>13</sup> / <sub>16</sub> " (732)  |          |

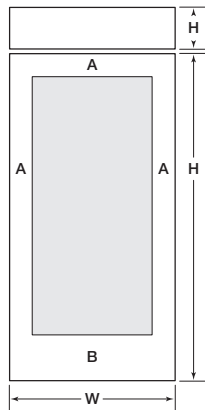
\*Panel height may be increased by <sup>7</sup>/<sub>16</sub>" (11) to hide upper main frame. For more information, refer to the built-in panel configurator at [subzero.com/trade/panels](http://subzero.com/trade/panels).

Grille panel dimensions are for standard 84" (2134) overall unit height. For 83" (2108) height, subtract 1" (25) from grille panel height dimensions and for 88" (2235) height, add 4" (102). A specific panel grille must be ordered for an 83" or 88" overall unit height.

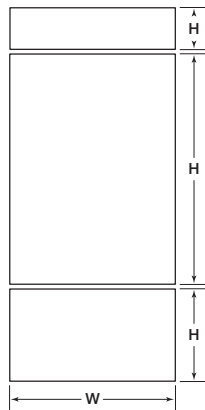
### Flush Inset Panel Dimensions



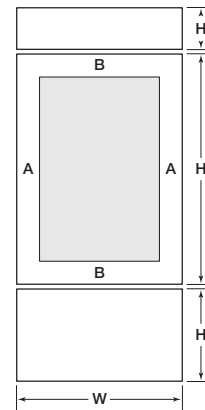
BI-36R / BI-36F



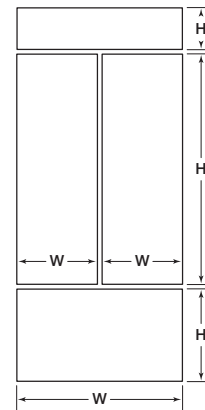
BI-36RG



BI-30U / BI-36U



BI-30UG / BI-36UG



BI-36UFD / BI-42UFD

| MODEL BI-36R, BI-36RG, BI-36F |  |   |          |
|-------------------------------|--|---|----------|
| <b>REFRIGERATOR / FREEZER</b> |  | <b>W</b>                                  | <b>H</b> |
| Flush Inset Panel             | 37" (940)                              | 69 <sup>3</sup> / <sub>4</sub> " (1772)   |          |
| Spacer Panel                  | 35 <sup>1</sup> / <sub>8</sub> " (892) | 68 <sup>15</sup> / <sub>16</sub> " (1751) |          |
| Backer Panel                  | 35 <sup>3</sup> / <sub>4</sub> " (908) | 69 <sup>9</sup> / <sub>16</sub> " (1767)  |          |
| <b>GRILLE</b>                 |  | <b>W</b>                                  | <b>H</b> |
| Flush Inset Panel             | 37" (940)                              | 9 <sup>1</sup> / <sub>4</sub> " (235)     |          |
| Spacer Panel                  | 35 <sup>1</sup> / <sub>8</sub> " (892) | 8 <sup>5</sup> / <sub>16</sub> " (211)    |          |
| Backer Panel                  | 35 <sup>3</sup> / <sub>4</sub> " (908) | 8 <sup>15</sup> / <sub>16</sub> " (227)   |          |
| <b>BI-36RG</b>                |  | <b>A</b>                                  | <b>B</b> |
| Stiles / Rails                | 5 <sup>3</sup> / <sub>4</sub> " (146)  | 10 <sup>3</sup> / <sub>8</sub> " (264)    |          |

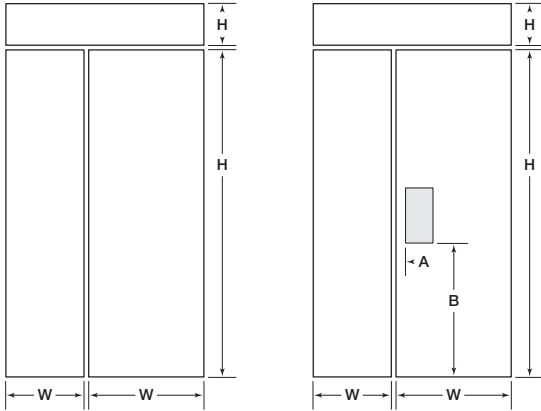
| MODEL BI-30U, BI-30UG |  |   |          |
|-----------------------|--|---|----------|
| <b>REFRIGERATOR</b>   |  | <b>W</b>                                  | <b>H</b> |
| Flush Inset Panel     | 31" (787)                              | 50 <sup>1</sup> / <sub>8</sub> " (1273)   |          |
| Spacer Panel          | 29 <sup>1</sup> / <sub>8</sub> " (740) | 49 <sup>5</sup> / <sub>16</sub> " (1253)  |          |
| Backer Panel          | 29 <sup>3</sup> / <sub>4</sub> " (756) | 49 <sup>15</sup> / <sub>16</sub> " (1268) |          |
| <b>FREEZER</b>        |  | <b>W</b>                                  | <b>H</b> |
| Flush Inset Panel     | 31" (787)                              | 19" (483)                                 |          |
| Spacer Panel          | 29 <sup>1</sup> / <sub>8</sub> " (740) | 18 <sup>1</sup> / <sub>16</sub> " (459)   |          |
| Backer Panel          | 29 <sup>3</sup> / <sub>4</sub> " (756) | 18 <sup>11</sup> / <sub>16</sub> " (475)  |          |
| <b>GRILLE</b>         |  | <b>W</b>                                  | <b>H</b> |
| Flush Inset Panel     | 31" (787)                              | 9 <sup>1</sup> / <sub>4</sub> " (235)     |          |
| Spacer Panel          | 29 <sup>1</sup> / <sub>8</sub> " (740) | 8 <sup>5</sup> / <sub>16</sub> " (211)    |          |
| Backer Panel          | 29 <sup>3</sup> / <sub>4</sub> " (756) | 8 <sup>15</sup> / <sub>16</sub> " (227)   |          |
| <b>BI-30UG</b>        |  | <b>A</b>                                  | <b>B</b> |
| Stiles / Rails        | 5 <sup>3</sup> / <sub>4</sub> " (146)  | 5 <sup>1</sup> / <sub>4</sub> " (133)     |          |

| MODEL BI-36U, BI-36UG |  |   |          |
|-----------------------|--|---|----------|
| <b>REFRIGERATOR</b>   |  | <b>W</b>                                  | <b>H</b> |
| Flush Inset Panel     | 37" (940)                              | 50 <sup>1</sup> / <sub>8</sub> " (1273)   |          |
| Spacer Panel          | 35 <sup>1</sup> / <sub>8</sub> " (892) | 49 <sup>5</sup> / <sub>16</sub> " (1253)  |          |
| Backer Panel          | 35 <sup>3</sup> / <sub>4</sub> " (908) | 49 <sup>15</sup> / <sub>16</sub> " (1268) |          |
| <b>FREEZER</b>        |  | <b>W</b>                                  | <b>H</b> |
| Flush Inset Panel     | 37" (940)                              | 19" (483)                                 |          |
| Spacer Panel          | 35 <sup>1</sup> / <sub>8</sub> " (892) | 18 <sup>1</sup> / <sub>16</sub> " (459)   |          |
| Backer Panel          | 35 <sup>3</sup> / <sub>4</sub> " (908) | 18 <sup>11</sup> / <sub>16</sub> " (475)  |          |
| <b>GRILLE</b>         |  | <b>W</b>                                  | <b>H</b> |
| Flush Inset Panel     | 37" (940)                              | 9 <sup>1</sup> / <sub>4</sub> " (235)     |          |
| Spacer Panel          | 35 <sup>1</sup> / <sub>8</sub> " (892) | 8 <sup>5</sup> / <sub>16</sub> " (211)    |          |
| Backer Panel          | 35 <sup>3</sup> / <sub>4</sub> " (908) | 8 <sup>15</sup> / <sub>16</sub> " (227)   |          |
| <b>BI-36UG</b>        |  | <b>A</b>                                  | <b>B</b> |
| Stiles / Rails        | 5 <sup>3</sup> / <sub>4</sub> " (146)  | 5 <sup>1</sup> / <sub>4</sub> " (133)     |          |

| MODEL BI-36UFD                 |  |   |          |
|--------------------------------|--|---|----------|
| <b>REFRIGERATOR (2 PANELS)</b> |  | <b>W</b>                                  | <b>H</b> |
| Flush Inset Panels             | 18 <sup>3</sup> / <sub>8</sub> " (467) | 50 <sup>1</sup> / <sub>8</sub> " (1273)   |          |
| Spacer Panels                  | 17" (432)                              | 49 <sup>5</sup> / <sub>16</sub> " (1253)  |          |
| Backer Panels                  | 17 <sup>5</sup> / <sub>8</sub> " (448) | 49 <sup>15</sup> / <sub>16</sub> " (1268) |          |
| <b>FREEZER</b>                 |  | <b>W</b>                                  | <b>H</b> |
| Flush Inset Panel              | 37" (940)                              | 19" (483)                                 |          |
| Spacer Panel                   | 35 <sup>1</sup> / <sub>8</sub> " (892) | 18 <sup>1</sup> / <sub>16</sub> " (459)   |          |
| Backer Panel                   | 35 <sup>3</sup> / <sub>4</sub> " (908) | 18 <sup>11</sup> / <sub>16</sub> " (475)  |          |
| <b>GRILLE</b>                  |  | <b>W</b>                                  | <b>H</b> |
| Flush Inset Panel              | 37" (940)                              | 9 <sup>1</sup> / <sub>4</sub> " (235)     |          |
| Spacer Panel                   | 35 <sup>1</sup> / <sub>8</sub> " (892) | 8 <sup>5</sup> / <sub>16</sub> " (211)    |          |
| Backer Panel                   | 35 <sup>3</sup> / <sub>4</sub> " (908) | 8 <sup>15</sup> / <sub>16</sub> " (227)   |          |



Flush Inset Panel Dimensions



BI-36S / BI-42S / BI-42SID  
BI-48S / BI-48SID

BI-42SD / BI-48SD

| MODEL BI-42UFD                 |   |   |          |
|--------------------------------|---|---|----------|
| <b>REFRIGERATOR (2 PANELS)</b> |   | <b>W</b>                                  | <b>H</b> |
| Flush Inset Panels             | 21 <sup>3</sup> / <sub>8</sub> " (543)  | 50 <sup>1</sup> / <sub>8</sub> " (1273)   |          |
| Spacer Panels                  | 20" (508)                               | 49 <sup>5</sup> / <sub>16</sub> " (1253)  |          |
| Backer Panels                  | 20 <sup>5</sup> / <sub>8</sub> " (524)  | 49 <sup>15</sup> / <sub>16</sub> " (1268) |          |
| <b>FREEZER</b>                 |   | <b>W</b>                                  | <b>H</b> |
| Flush Inset Panel              | 43" (1092)                              | 19" (483)                                 |          |
| Spacer Panel                   | 41 <sup>1</sup> / <sub>8</sub> " (1045) | 18 <sup>1</sup> / <sub>16</sub> " (459)   |          |
| Backer Panel                   | 41 <sup>3</sup> / <sub>4</sub> " (1060) | 18 <sup>11</sup> / <sub>16</sub> " (475)  |          |
| <b>GRILLE</b>                  |   | <b>W</b>                                  | <b>H</b> |
| Flush Inset Panel              | 43" (1092)                              | 9 <sup>1</sup> / <sub>4</sub> " (235)     |          |
| Spacer Panel                   | 41 <sup>1</sup> / <sub>8</sub> " (1045) | 8 <sup>5</sup> / <sub>16</sub> " (211)    |          |
| Backer Panel                   | 41 <sup>3</sup> / <sub>4</sub> " (1060) | 8 <sup>15</sup> / <sub>16</sub> " (227)   |          |

| MODEL BI-36S        |  |   |          |
|---------------------|--|---|----------|
| <b>REFRIGERATOR</b> |  | <b>W</b>                                  | <b>H</b> |
| Flush Inset Panel   | 20 <sup>9</sup> / <sub>16</sub> " (522)  | 69 <sup>3</sup> / <sub>4</sub> " (1772)   |          |
| Spacer Panel        | 19 <sup>3</sup> / <sub>16</sub> " (487)  | 68 <sup>15</sup> / <sub>16</sub> " (1751) |          |
| Backer Panel        | 19 <sup>13</sup> / <sub>16</sub> " (503) | 69 <sup>9</sup> / <sub>16</sub> " (1767)  |          |
| <b>FREEZER</b>      |  | <b>W</b>                                  | <b>H</b> |
| Flush Inset Panel   | 16 <sup>3</sup> / <sub>16</sub> " (411)  | 69 <sup>3</sup> / <sub>4</sub> " (1772)   |          |
| Spacer Panel        | 14 <sup>13</sup> / <sub>16</sub> " (376) | 68 <sup>15</sup> / <sub>16</sub> " (1751) |          |
| Backer Panel        | 15 <sup>7</sup> / <sub>16</sub> " (392)  | 69 <sup>9</sup> / <sub>16</sub> " (1767)  |          |
| <b>GRILLE</b>       |  | <b>W</b>                                  | <b>H</b> |
| Flush Inset Panel   | 37" (940)                                | 9 <sup>1</sup> / <sub>4</sub> " (235)     |          |
| Spacer Panel        | 35 <sup>1</sup> / <sub>8</sub> " (892)   | 8 <sup>5</sup> / <sub>16</sub> " (211)    |          |
| Backer Panel        | 35 <sup>3</sup> / <sub>4</sub> " (908)   | 8 <sup>15</sup> / <sub>16</sub> " (227)   |          |

| MODEL BI-42S, BI-42SID, BI-42SD |  |   |          |
|---------------------------------|--|---|----------|
| <b>REFRIGERATOR</b>             |  | <b>W</b>                                  | <b>H</b> |
| Flush Inset Panel               | 25 <sup>9</sup> / <sub>16</sub> " (649)  | 69 <sup>3</sup> / <sub>4</sub> " (1772)   |          |
| Spacer Panel                    | 24 <sup>3</sup> / <sub>16</sub> " (614)  | 68 <sup>15</sup> / <sub>16</sub> " (1751) |          |
| Backer Panel                    | 24 <sup>13</sup> / <sub>16</sub> " (630) | 69 <sup>9</sup> / <sub>16</sub> " (1767)  |          |
| <b>FREEZER</b>                  |  | <b>W</b>                                  | <b>H</b> |
| Flush Inset Panel               | 17 <sup>3</sup> / <sub>16</sub> " (437)  | 69 <sup>3</sup> / <sub>4</sub> " (1772)   |          |
| Spacer Panel                    | 15 <sup>13</sup> / <sub>16</sub> " (402) | 68 <sup>15</sup> / <sub>16</sub> " (1751) |          |
| Backer Panel                    | 16 <sup>7</sup> / <sub>16</sub> " (418)  | 69 <sup>9</sup> / <sub>16</sub> " (1767)  |          |
| <b>GRILLE</b>                   |  | <b>W</b>                                  | <b>H</b> |
| Flush Inset Panel               | 43" (1092)                               | 9 <sup>1</sup> / <sub>4</sub> " (235)     |          |
| Spacer Panel                    | 41 <sup>1</sup> / <sub>8</sub> " (1045)  | 8 <sup>5</sup> / <sub>16</sub> " (211)    |          |
| Backer Panel                    | 41 <sup>3</sup> / <sub>4</sub> " (1060)  | 8 <sup>15</sup> / <sub>16</sub> " (227)   |          |
| <b>DISPENSER (BI-42SD)</b>      |  | <b>W</b>                                  | <b>H</b> |
| Dispenser Cut-Out               | 5 <sup>7</sup> / <sub>8</sub> " (149)    | 12 <sup>7</sup> / <sub>16</sub> " (316)   |          |
|                                 | <b>A</b>                                 | <b>B</b>                                  |          |
| Cut-Out Location                | 2" (51)                                  | 28 <sup>13</sup> / <sub>16</sub> " (732)  |          |

| MODEL BI-48S, BI-48SID, BI-48SD |   |   |          |
|---------------------------------|---|---|----------|
| <b>REFRIGERATOR</b>             |   | <b>W</b>                                  | <b>H</b> |
| Flush Inset Panel               | 29 <sup>1</sup> / <sub>4</sub> " (743)  | 69 <sup>3</sup> / <sub>4</sub> " (1772)   |          |
| Spacer Panel                    | 27 <sup>7</sup> / <sub>8</sub> " (708)  | 68 <sup>15</sup> / <sub>16</sub> " (1751) |          |
| Backer Panel                    | 28 <sup>1</sup> / <sub>2</sub> " (724)  | 69 <sup>9</sup> / <sub>16</sub> " (1767)  |          |
| <b>FREEZER</b>                  |   | <b>W</b>                                  | <b>H</b> |
| Flush Inset Panel               | 19 <sup>1</sup> / <sub>2</sub> " (495)  | 69 <sup>3</sup> / <sub>4</sub> " (1772)   |          |
| Spacer Panel                    | 18 <sup>1</sup> / <sub>8</sub> " (460)  | 68 <sup>15</sup> / <sub>16</sub> " (1751) |          |
| Backer Panel                    | 18 <sup>3</sup> / <sub>4</sub> " (476)  | 69 <sup>9</sup> / <sub>16</sub> " (1767)  |          |
| <b>GRILLE</b>                   |   | <b>W</b>                                  | <b>H</b> |
| Flush Inset Panel               | 49" (1245)                              | 9 <sup>1</sup> / <sub>4</sub> " (235)     |          |
| Spacer Panel                    | 47 <sup>1</sup> / <sub>8</sub> " (1197) | 8 <sup>5</sup> / <sub>16</sub> " (211)    |          |
| Backer Panel                    | 47 <sup>3</sup> / <sub>4</sub> " (1213) | 8 <sup>15</sup> / <sub>16</sub> " (227)   |          |
| <b>DISPENSER (BI-48SD)</b>      |   | <b>W</b>                                  | <b>H</b> |
| Cut-Out                         | 5 <sup>7</sup> / <sub>8</sub> " (149)   | 12 <sup>7</sup> / <sub>16</sub> " (316)   |          |
|                                 | <b>A</b>                                | <b>B</b>                                  |          |
| Cut-Out Location                | 2" (51)                                 | 28 <sup>13</sup> / <sub>16</sub> " (732)  |          |

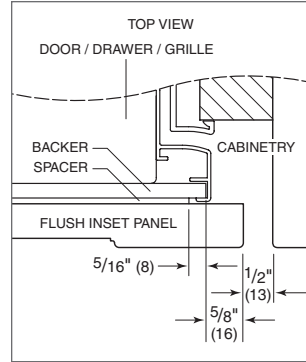
Grille panel dimensions are for standard 84" (2134) overall unit height. For 83" (2108) height, subtract 1" (25) from grille panel height dimensions and for 88" (2235) height, add 4" (102). A specific panel grille must be ordered for an 83" or 88" overall unit height.

## Flush Inset Panels

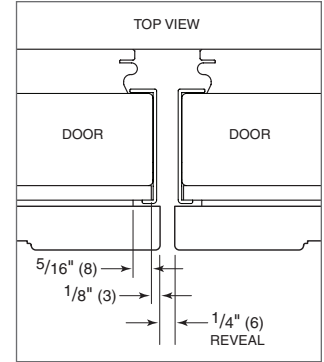
### PANEL OFFSETS

The illustrations provide panel offsets and reveals for built-in models in a flush inset application. Refer to the chart below for reference to the illustrations.

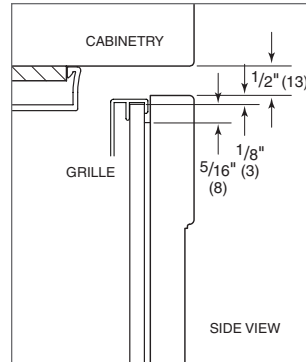
| PANEL OFFSET                          |   |
|---------------------------------------|---|
| <b>ALL REFRIGERATOR / ALL FREEZER</b> |   |
| ILLUS                                 |   |
| Door / Grille Sides                   | A |
| Grille Top                            | C |
| Grille Bottom / Door Top              | D |
| Door Bottom                           | F |
| <b>OVER-AND-UNDER</b>                 |   |
| ILLUS                                 |   |
| Door / Drawer / Grille Sides          | A |
| Grille Top                            | C |
| Grille Bottom / Door Top              | D |
| Door Bottom / Drawer Top              | E |
| Drawer Bottom                         | F |
| <b>SIDE-BY-SIDE</b>                   |   |
| ILLUS                                 |   |
| Doors (hinge) / Grille Sides          | A |
| Doors (handle) Sides                  | B |
| Grille Top                            | C |
| Grille Bottom / Door Top              | D |
| Door Bottom                           | F |



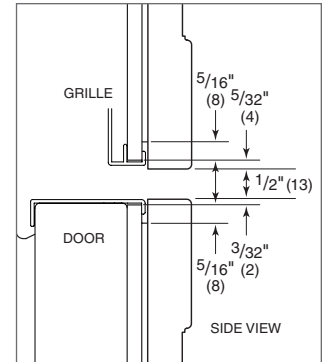
Illus. A



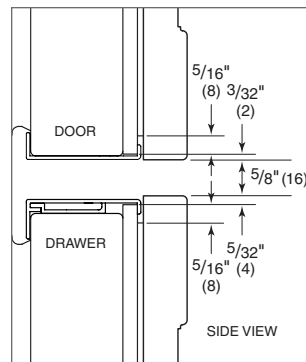
Illus. B



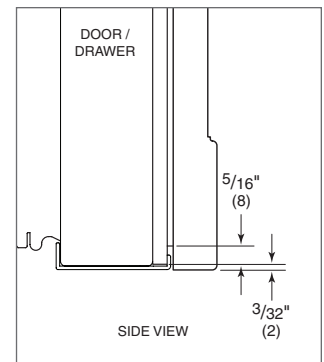
Illus. C



Illus. D



Illus. E



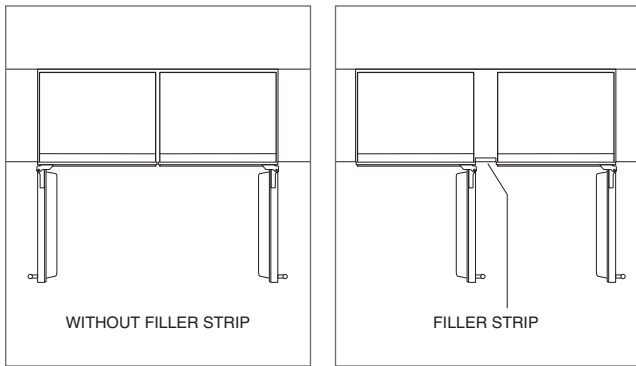
Illus. F

## Dual Installation

If two units are installed side by side, a dual installation kit may be required. Installations without a custom filler strip require a dual installation kit. If a dual installation kit is not specified, a 2" (51) filler strip is recommended between units. A custom filler strip is required when installing two French door or side-by-side models. Dual installations without a filler strip can only be accomplished using two units with opposite hinges. Refer to the illustrations below.

Dual installation kits are available through an authorized Sub-Zero dealer. For local dealer information, visit the find a showroom section of our website, [subzero.com](http://subzero.com). For questions regarding the installation, call Sub-Zero customer care at 800-222-7820.

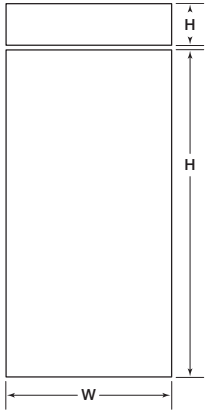
For dual standard installations, panel dimensions are the same as for single installations. Refer to the charts on pages 20–23. Panel dimensions and offsets for dual flush inset installations are listed on the following pages.



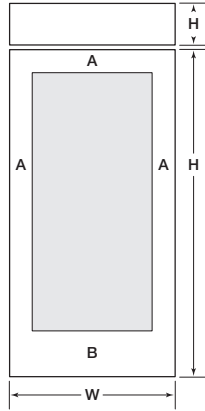
Opposite hinges.

Same side hinges.

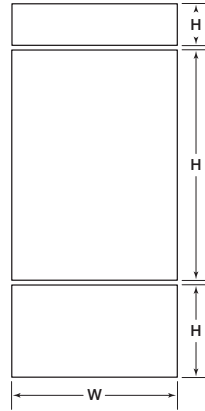
### Dual Flush Inset Panel Dimensions



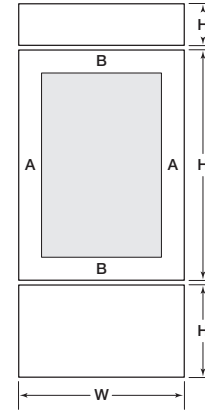
BI-36R / BI-36F



BI-36RG



BI-30U / BI-36U



BI-30UG / BI-36UG

| MODEL BI-36R, BI-36RG, BI-36F |  |   |          |
|-------------------------------|--|---|----------|
| <b>REFRIGERATOR / FREEZER</b> |  | <b>W</b>                                  | <b>H</b> |
| Flush Inset Panel             | 36 <sup>1</sup> / <sub>2</sub> " (927) | 69 <sup>3</sup> / <sub>4</sub> " (1772)   |          |
| Spacer Panel                  | 35 <sup>1</sup> / <sub>8</sub> " (892) | 68 <sup>15</sup> / <sub>16</sub> " (1751) |          |
| Backer Panel                  | 35 <sup>3</sup> / <sub>4</sub> " (908) | 69 <sup>9</sup> / <sub>16</sub> " (1767)  |          |
| <b>GRILLE</b>                 |  | <b>W</b>                                  | <b>H</b> |
| Flush Inset Panel             | 36 <sup>1</sup> / <sub>2</sub> " (927) | 9 <sup>1</sup> / <sub>4</sub> " (235)     |          |
| Spacer Panel                  | 35 <sup>1</sup> / <sub>8</sub> " (892) | 8 <sup>5</sup> / <sub>16</sub> " (211)    |          |
| Backer Panel                  | 35 <sup>3</sup> / <sub>4</sub> " (908) | 8 <sup>15</sup> / <sub>16</sub> " (227)   |          |
| <b>BI-36RG</b>                |  | <b>A</b>                                  | <b>B</b> |
| Stiles / Rails                | 5 <sup>3</sup> / <sub>4</sub> " (146)  | 10 <sup>3</sup> / <sub>8</sub> " (264)    |          |

| MODEL BI-30U, BI-30UG |  |   |          |
|-----------------------|--|---|----------|
| <b>REFRIGERATOR</b>   |  | <b>W</b>                                  | <b>H</b> |
| Flush Inset Panel     | 30 <sup>1</sup> / <sub>2</sub> " (775) | 50 <sup>1</sup> / <sub>8</sub> " (1273)   |          |
| Spacer Panel          | 29 <sup>1</sup> / <sub>8</sub> " (740) | 49 <sup>5</sup> / <sub>16</sub> " (1253)  |          |
| Backer Panel          | 29 <sup>3</sup> / <sub>4</sub> " (756) | 49 <sup>15</sup> / <sub>16</sub> " (1268) |          |
| <b>FREEZER</b>        |  | <b>W</b>                                  | <b>H</b> |
| Flush Inset Panel     | 30 <sup>1</sup> / <sub>2</sub> " (775) | 19" (483)                                 |          |
| Spacer Panel          | 29 <sup>1</sup> / <sub>8</sub> " (740) | 18 <sup>1</sup> / <sub>16</sub> " (459)   |          |
| Backer Panel          | 29 <sup>3</sup> / <sub>4</sub> " (756) | 18 <sup>11</sup> / <sub>16</sub> " (475)  |          |
| <b>GRILLE</b>         |  | <b>W</b>                                  | <b>H</b> |
| Flush Inset Panel     | 30 <sup>1</sup> / <sub>2</sub> " (775) | 9 <sup>1</sup> / <sub>4</sub> " (235)     |          |
| Spacer Panel          | 29 <sup>1</sup> / <sub>8</sub> " (740) | 8 <sup>5</sup> / <sub>16</sub> " (211)    |          |
| Backer Panel          | 29 <sup>3</sup> / <sub>4</sub> " (756) | 8 <sup>15</sup> / <sub>16</sub> " (227)   |          |
| <b>BI-30UG</b>        |  | <b>A</b>                                  | <b>B</b> |
| Stiles / Rails        | 5 <sup>3</sup> / <sub>4</sub> " (146)  | 5 <sup>1</sup> / <sub>4</sub> " (133)     |          |

| MODEL BI-36U, BI-36UG |  |   |          |
|-----------------------|--|---|----------|
| <b>REFRIGERATOR</b>   |  | <b>W</b>                                  | <b>H</b> |
| Flush Inset Panel     | 36 <sup>1</sup> / <sub>2</sub> " (927) | 50 <sup>1</sup> / <sub>8</sub> " (1273)   |          |
| Spacer Panel          | 35 <sup>1</sup> / <sub>8</sub> " (892) | 49 <sup>5</sup> / <sub>16</sub> " (1253)  |          |
| Backer Panel          | 35 <sup>3</sup> / <sub>4</sub> " (908) | 49 <sup>15</sup> / <sub>16</sub> " (1268) |          |
| <b>FREEZER</b>        |  | <b>W</b>                                  | <b>H</b> |
| Flush Inset Panel     | 36 <sup>1</sup> / <sub>2</sub> " (927) | 19" (483)                                 |          |
| Spacer Panel          | 35 <sup>1</sup> / <sub>8</sub> " (892) | 18 <sup>1</sup> / <sub>16</sub> " (459)   |          |
| Backer Panel          | 35 <sup>3</sup> / <sub>4</sub> " (908) | 18 <sup>11</sup> / <sub>16</sub> " (475)  |          |
| <b>GRILLE</b>         |  | <b>W</b>                                  | <b>H</b> |
| Flush Inset Panel     | 36 <sup>1</sup> / <sub>2</sub> " (927) | 9 <sup>1</sup> / <sub>4</sub> " (235)     |          |
| Spacer Panel          | 35 <sup>1</sup> / <sub>8</sub> " (892) | 8 <sup>5</sup> / <sub>16</sub> " (211)    |          |
| Backer Panel          | 35 <sup>3</sup> / <sub>4</sub> " (908) | 8 <sup>15</sup> / <sub>16</sub> " (227)   |          |
| <b>BI-36UG</b>        |  | <b>A</b>                                  | <b>B</b> |
| Stiles / Rails        | 5 <sup>3</sup> / <sub>4</sub> " (146)  | 5 <sup>1</sup> / <sub>4</sub> " (133)     |          |

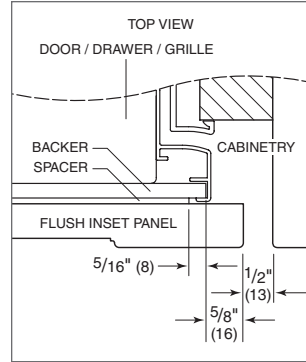
Grille panel dimensions are for standard 84" (2134) overall unit height. For 83" (2108) height, subtract 1" (25) from grille panel height dimensions and for 88" (2235) height, add 4" (102). A specific panel grille must be ordered for an 83" or 88" overall unit height. For dual wide grilles, refer to page 30.

## Dual Installation

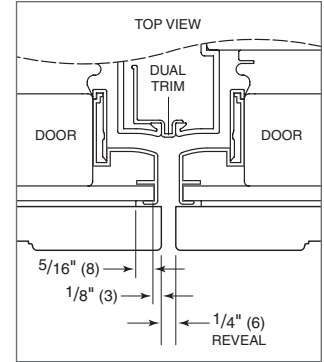
### DUAL FLUSH INSET PANEL OFFSETS

The illustrations provide panel offsets and reveals for built-in models in a dual flush inset application. Refer to the chart below for reference to the illustrations.

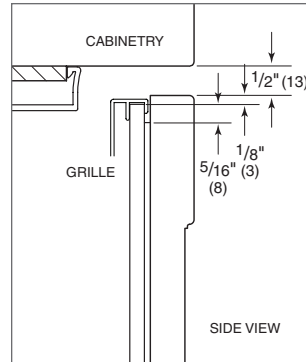
| PANEL OFFSET                          |   |
|---------------------------------------|---|
| <b>ALL REFRIGERATOR / ALL FREEZER</b> |   |
| ILLUS                                 |   |
| Door (hinge) / Grille Sides           | A |
| Door (handle) Sides                   | B |
| Grille Top                            | C |
| Grille Bottom / Door Top              | D |
| Door Bottom                           | F |
| <b>OVER-AND-UNDER</b>                 |   |
| ILLUS                                 |   |
| Door (hinge) / Drawer / Grille Sides  | A |
| Door (handle) Sides                   | B |
| Grille Top                            | C |
| Grille Bottom / Door Top              | D |
| Door Bottom / Drawer Top              | E |
| Drawer Bottom                         | F |



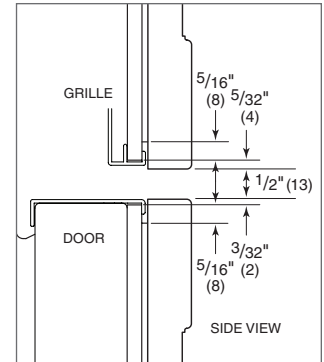
Illus. A



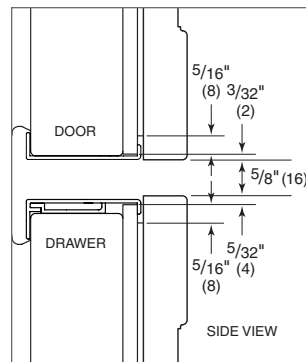
Illus. B



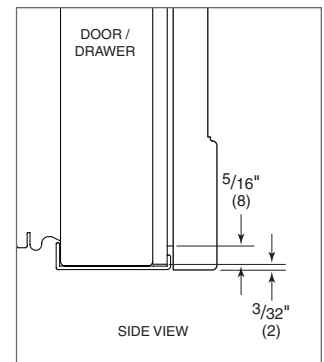
Illus. C



Illus. D



Illus. E



Illus. F

## Dual Installation

### DUAL WIDE GRILLE

A dual wide grille spans the entire width of both units in a dual installation and is a part of a dual installation kit.

For overlay and flush inset panel dimensions for the dual wide grille, refer to the charts below. Dimensions listed are for a standard 84" (2134) finished height.

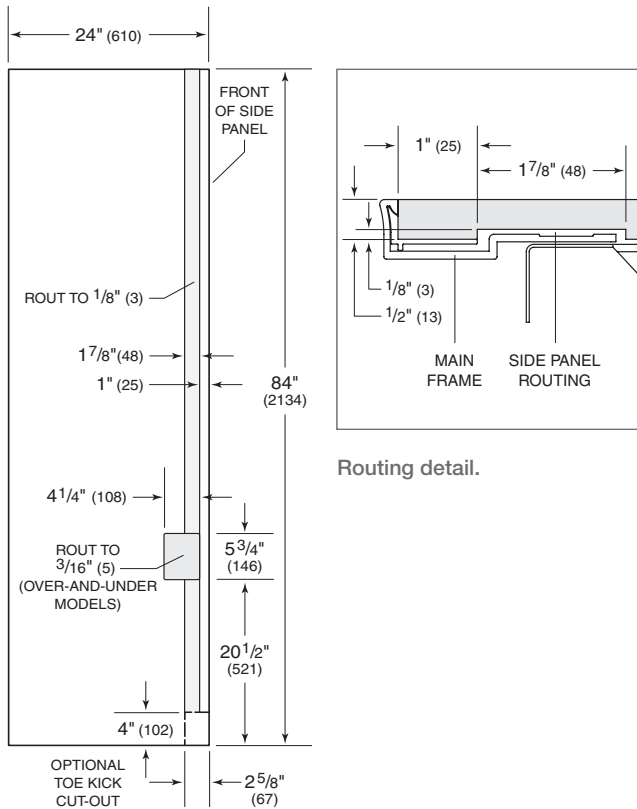
| DUAL WIDE GRILLE—OVERLAY       |   |   |
|--------------------------------|---|---|
| <b>TWO 30" MODELS</b>          |   |   |
|                                | <b>W</b>                                | <b>H</b>                                |
| Overlay Panel                  | 60 <sup>1</sup> / <sub>4</sub> " (1530) | 9 <sup>1</sup> / <sub>4</sub> " (235)   |
| Spacer Panel                   | 59 <sup>3</sup> / <sub>8</sub> " (1508) | 8 <sup>5</sup> / <sub>16</sub> " (211)  |
| Backer Panel                   | 60" (1524)                              | 8 <sup>15</sup> / <sub>16</sub> " (227) |
| <b>30" MODEL AND 36" MODEL</b> |   |   |
|                                | <b>W</b>                                | <b>H</b>                                |
| Overlay Panel                  | 66 <sup>1</sup> / <sub>4</sub> " (1683) | 9 <sup>1</sup> / <sub>4</sub> " (235)   |
| Spacer Panel                   | 65 <sup>3</sup> / <sub>8</sub> " (1661) | 8 <sup>5</sup> / <sub>16</sub> " (211)  |
| Backer Panel                   | 66" (1676)                              | 8 <sup>15</sup> / <sub>16</sub> " (227) |
| <b>TWO 36" MODELS</b>          |   |   |
|                                | <b>W</b>                                | <b>H</b>                                |
| Overlay Panel                  | 72 <sup>1</sup> / <sub>4</sub> " (1835) | 9 <sup>1</sup> / <sub>4</sub> " (235)   |
| Spacer Panel                   | 71 <sup>3</sup> / <sub>8</sub> " (1813) | 8 <sup>5</sup> / <sub>16</sub> " (211)  |
| Backer Panel                   | 72" (1829)                              | 8 <sup>15</sup> / <sub>16</sub> " (227) |

| DUAL WIDE GRILLE—FLUSH INSET   |   |   |
|--------------------------------|---|---|
| <b>TWO 30" MODELS</b>          |   |   |
|                                | <b>W</b>                                | <b>H</b>                                |
| Flush Inset Panel              | 61 <sup>1</sup> / <sub>4</sub> " (1556) | 9 <sup>1</sup> / <sub>4</sub> " (235)   |
| Spacer Panel                   | 59 <sup>3</sup> / <sub>8</sub> " (1508) | 8 <sup>5</sup> / <sub>16</sub> " (211)  |
| Backer Panel                   | 60" (1524)                              | 8 <sup>15</sup> / <sub>16</sub> " (227) |
| <b>30" MODEL AND 36" MODEL</b> |   |   |
|                                | <b>W</b>                                | <b>H</b>                                |
| Flush Inset Panel              | 67 <sup>1</sup> / <sub>4</sub> " (1708) | 9 <sup>1</sup> / <sub>4</sub> " (235)   |
| Spacer Panel                   | 65 <sup>3</sup> / <sub>8</sub> " (1661) | 8 <sup>5</sup> / <sub>16</sub> " (211)  |
| Backer Panel                   | 66" (1676)                              | 8 <sup>15</sup> / <sub>16</sub> " (227) |
| <b>TWO 36" MODELS</b>          |   |   |
|                                | <b>W</b>                                | <b>H</b>                                |
| Flush Inset Panel              | 73 <sup>1</sup> / <sub>4</sub> " (1861) | 9 <sup>1</sup> / <sub>4</sub> " (235)   |
| Spacer Panel                   | 71 <sup>3</sup> / <sub>8</sub> " (1813) | 8 <sup>5</sup> / <sub>16</sub> " (211)  |
| Backer Panel                   | 72" (1829)                              | 8 <sup>15</sup> / <sub>16</sub> " (227) |

### Side Panel

The custom side panels must be a minimum of 24" (610) deep and 1/2" (13) thick. Routing will be necessary for the side panel to fit flush against the side of the unit. Refer to the illustrations below.

When installing a built-in unit with a custom side panel, an accessory kit is required. Stainless steel and white enamel side panels are available through an authorized Sub-Zero dealer. For local dealer information, visit the find a showroom section of our website, subzero.com.



Side panel dimensions.

### Handle Hardware

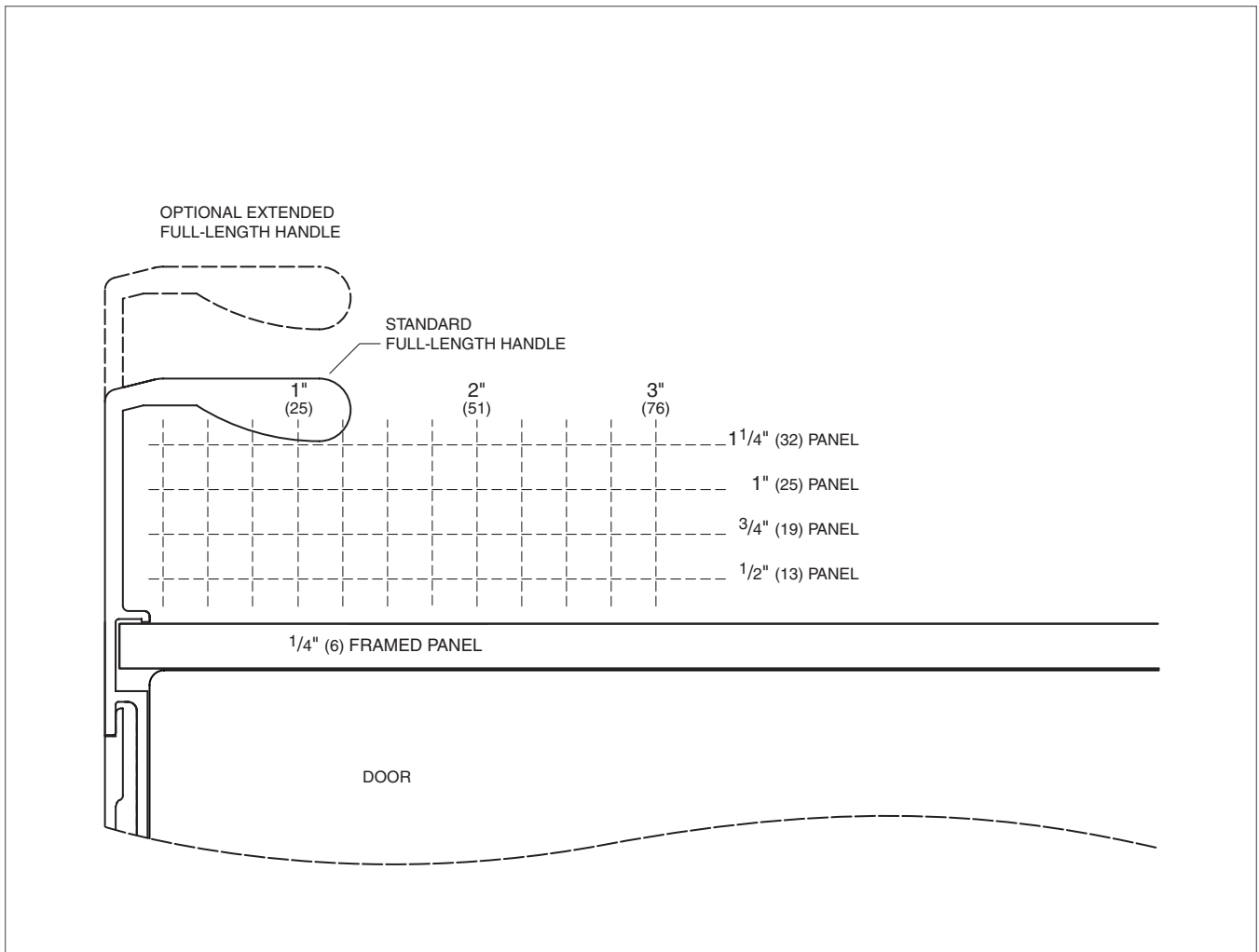
Optional stainless steel tubular and pro handles are available through an authorized Sub-Zero dealer. For local dealer information, visit the find a showroom section of our website, subzero.com.

Refer to the chart below for the length and stud spacing of standard handles for built-in models.

| STANDARD HANDLES    |                 |                |
|---------------------|-----------------|----------------|
| FULL DOOR           | LENGTH          | STUD SPACING   |
| Tubular             | 63 7/8" (1622)  | 43 7/8" (1114) |
| Pro                 | 45 3/16" (1147) | 43 7/8" (1114) |
| OVER-AND-UNDER DOOR | LENGTH          | STUD SPACING   |
| Tubular             | 44 1/4" (1124)  | 36 1/4" (921)  |
| Pro                 | 37 1/2" (952)   | 36 1/4" (921)  |
| 30" DRAWER          | LENGTH          | STUD SPACING   |
| Tubular             | 24 5/16" (633)  | 16 5/16" (414) |
| Pro                 | 17 9/16" (447)  | 16 5/16" (414) |
| 36" DRAWER          | LENGTH          | STUD SPACING   |
| Tubular             | 30 5/16" (770)  | 22 5/16" (567) |
| Pro                 | 23 5/8" (600)   | 22 5/16" (567) |
| 42" DRAWER          | LENGTH          | STUD SPACING   |
| Tubular             | 36 5/16" (922)  | 28 5/16" (719) |
| Pro                 | 29 5/8" (753)   | 28 5/16" (719) |

### Framed Panels

#### FULL-SCALE TEMPLATE



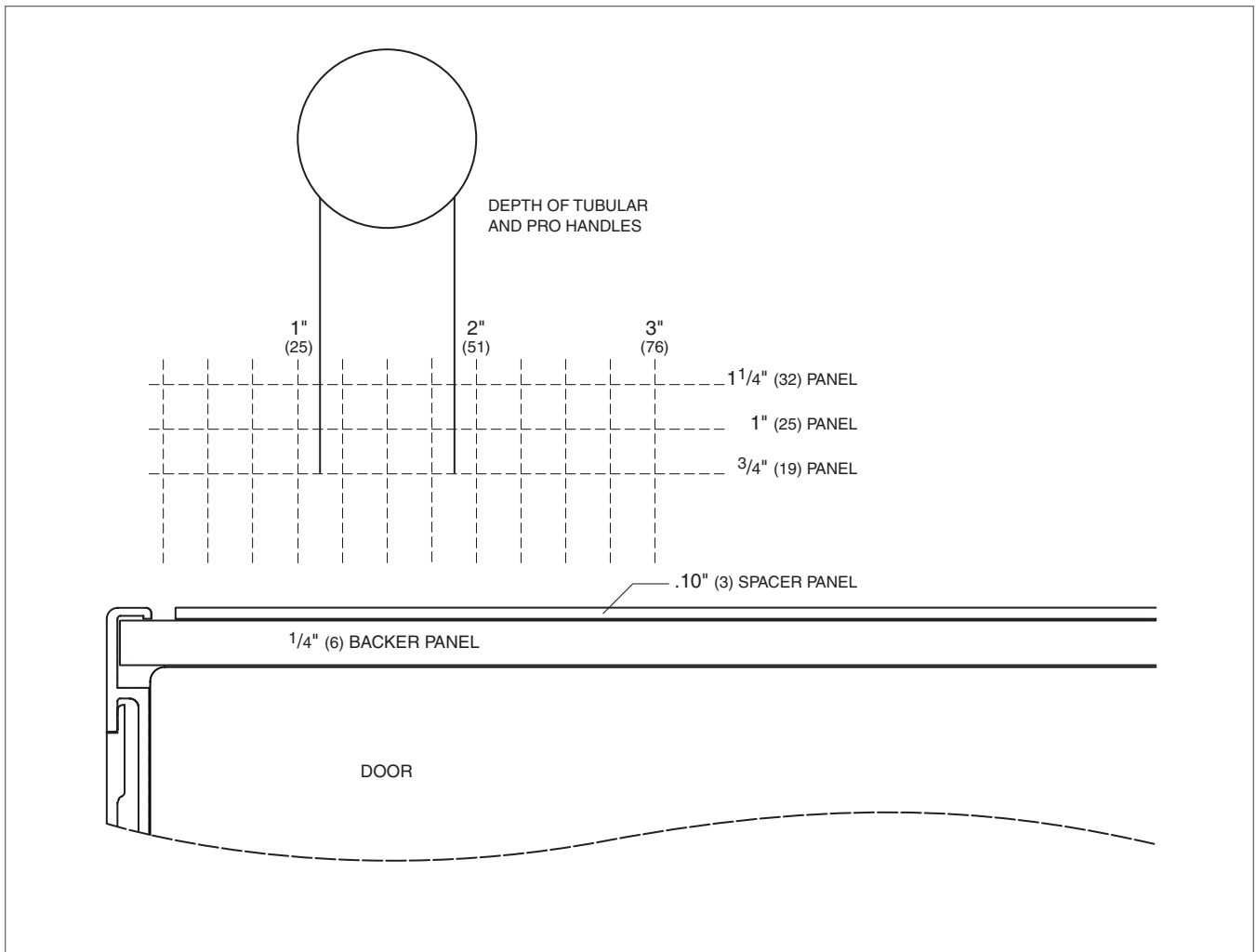
Framed panel thickness.



### Overlay and Flush Inset Panels

#### FULL-SCALE TEMPLATE

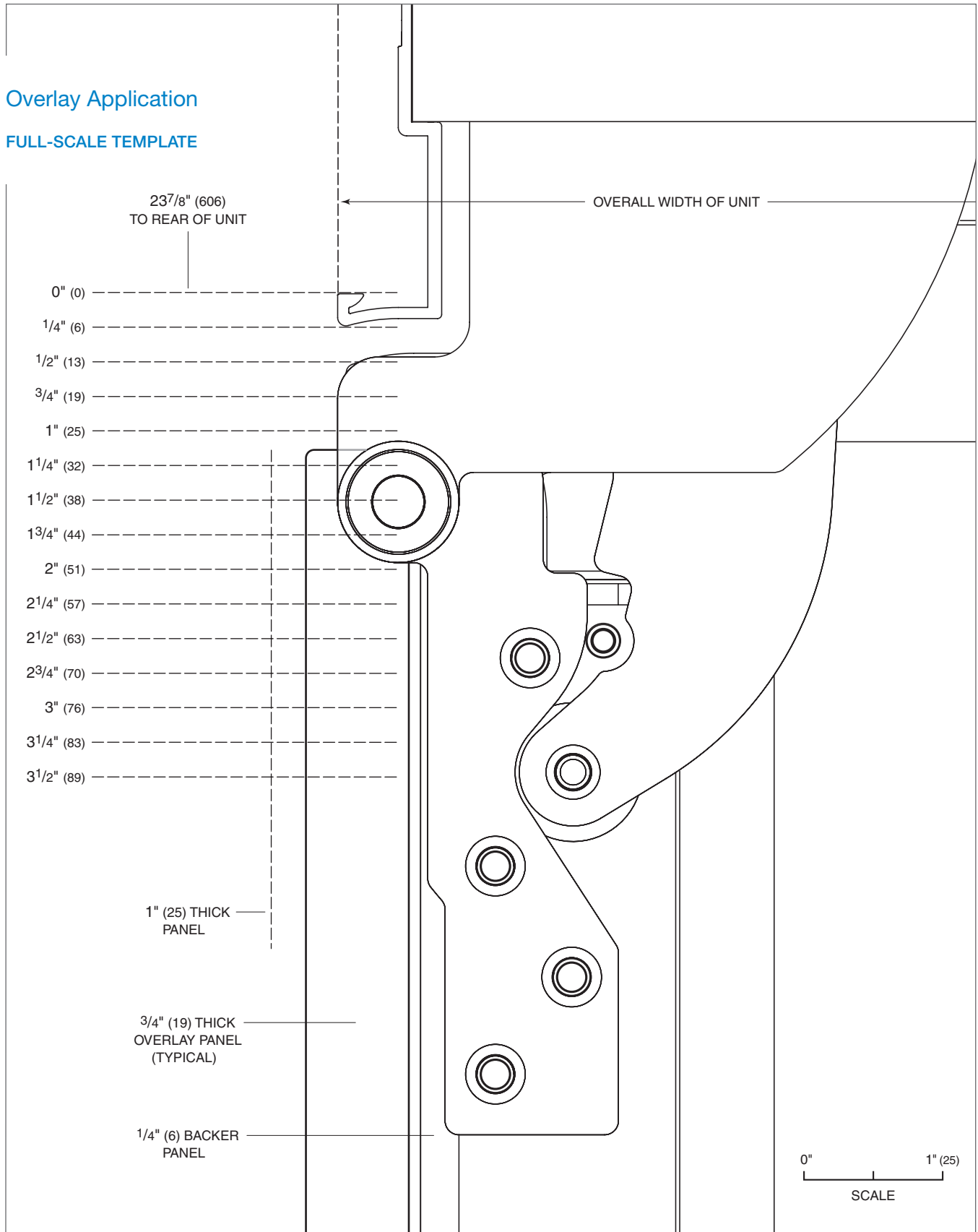
Overlay and flush inset panels must be a minimum of 5/8" (16) thick to support mounting the handle. Panel thickness does not include backer and spacer panel. Mount handle close to the opening edge of the door.



Overlay and flush inset panel thickness.

Overlay Application

FULL-SCALE TEMPLATE

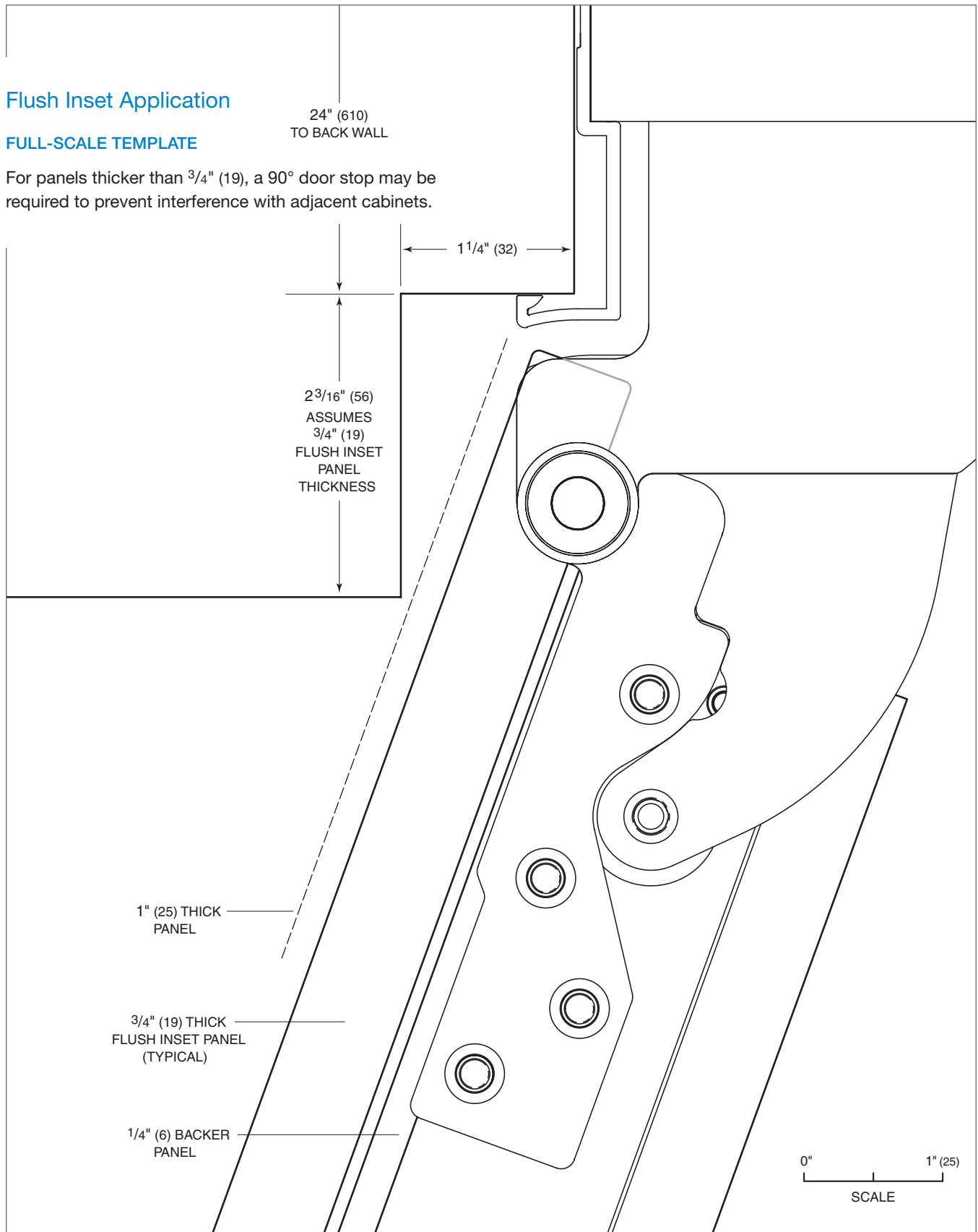


90° door opening (top view).

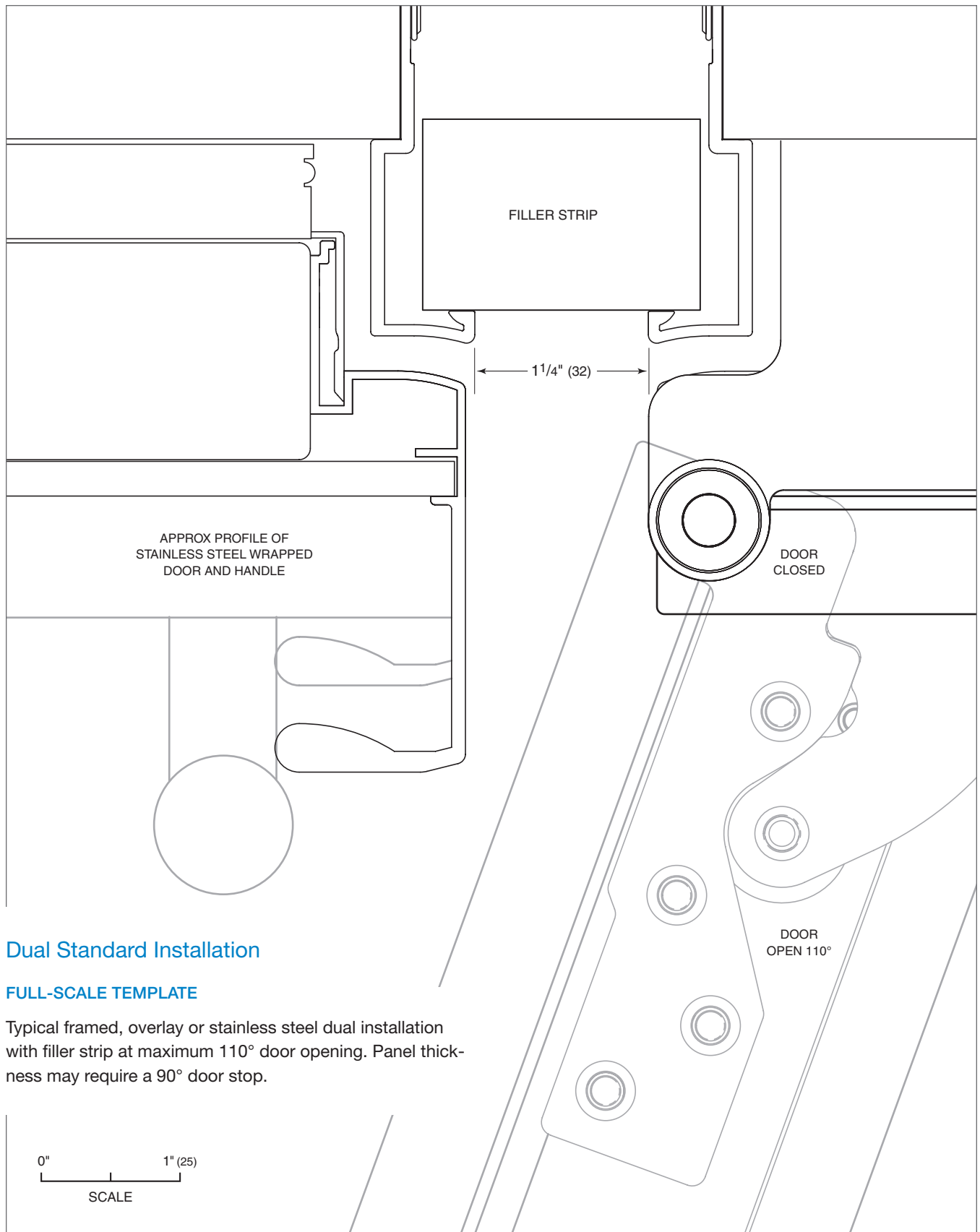
### Flush Inset Application

#### FULL-SCALE TEMPLATE

For panels thicker than 3/4" (19), a 90° door stop may be required to prevent interference with adjacent cabinets.



110° door opening (top view).

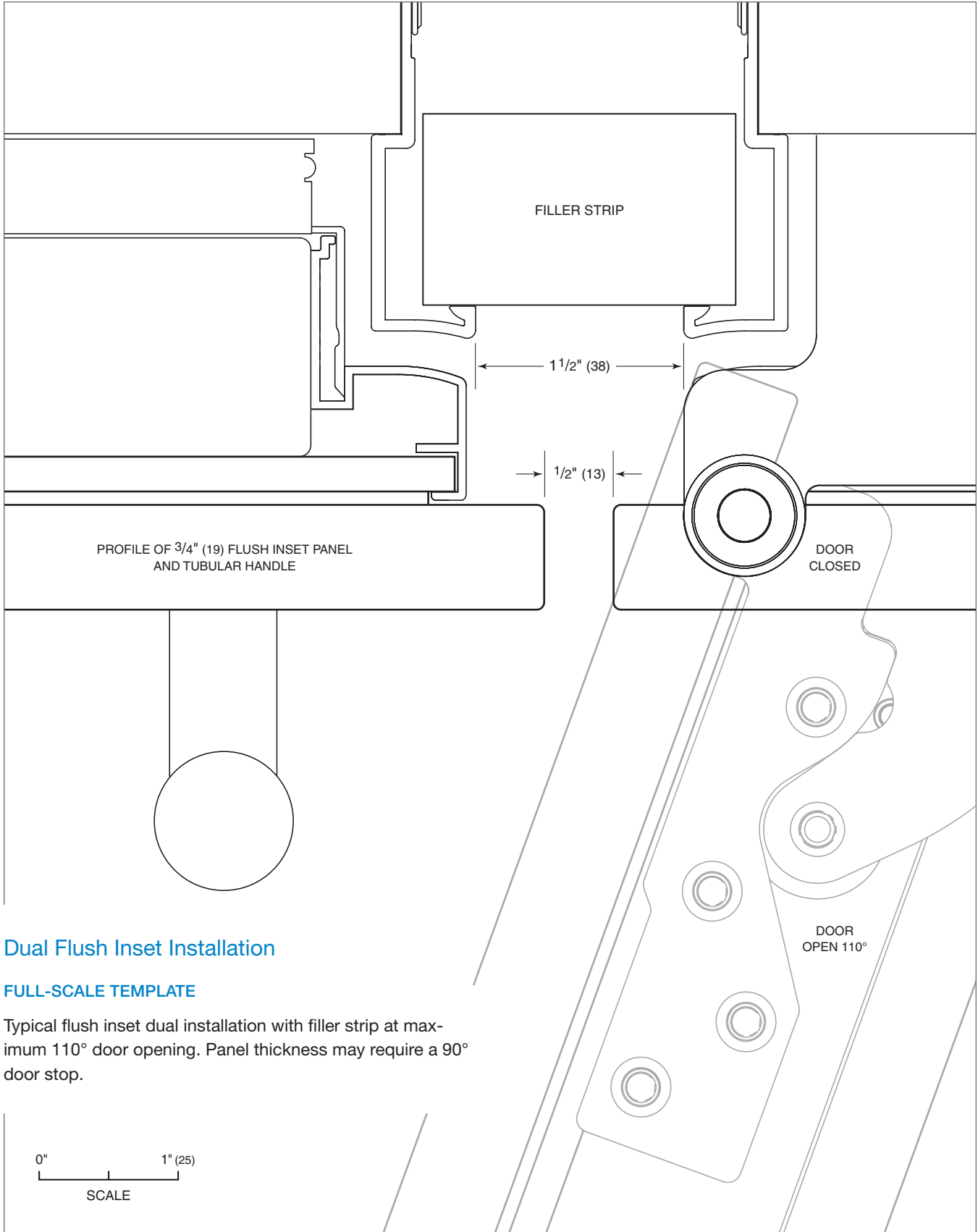


### Dual Standard Installation

#### FULL-SCALE TEMPLATE

Typical framed, overlay or stainless steel dual installation with filler strip at maximum 110° door opening. Panel thickness may require a 90° door stop.

Dual standard installation (top view).



### Dual Flush Inset Installation

#### FULL-SCALE TEMPLATE

Typical flush inset dual installation with filler strip at maximum 110° door opening. Panel thickness may require a 90° door stop.

Dual flush inset installation (top view).

## Sub-Zero Residential Limited Warranty

FOR RESIDENTIAL USE

### FULL TWO YEAR WARRANTY\*

For two years from the date of original installation, this Sub-Zero product warranty covers all parts and labor to repair or replace, under normal residential use, any part of the product that proves to be defective in materials or workmanship. All service provided by Sub-Zero under the above warranty must be performed by Sub-Zero factory certified service, unless otherwise specified by Sub-Zero, Inc. Service will be provided during normal business hours.

### FULL FIVE YEAR SEALED SYSTEM WARRANTY

For five years from the date of original installation, this Sub-Zero product warranty covers all parts and labor to repair or replace, under normal residential use, these parts that prove to be defective in materials or workmanship: compressor, condenser, evaporator, drier and all connecting tubing. All service provided by Sub-Zero under the above warranty must be performed by Sub-Zero factory certified service, unless otherwise specified by Sub-Zero, Inc. Service will be provided during normal business hours.

### LIMITED TWELVE YEAR SEALED SYSTEM WARRANTY

For twelve years from the date of original installation, Sub-Zero will repair or replace the following parts that prove to be defective in materials or workmanship: compressor, condenser, evaporator, drier and all connecting tubing. If the owner uses Sub-Zero factory certified service, the service provider will repair or replace these parts with the owner paying for all other costs, including labor. If the owner uses non-certified service, the owner must contact Sub-Zero, Inc. (using the information below) to receive repaired or replacement parts. Sub-Zero will not reimburse the owner for parts purchased from non-certified service or other sources.

### TERMS APPLICABLE TO EACH WARRANTY

The warranty applies only to products installed for normal residential use. The warranty applies only to products installed in any one of the fifty states of the United States, the District of Columbia or the ten provinces of Canada. This warranty does not cover any parts or labor to correct any defect caused by negligence, accident or improper use, maintenance, installation, service or repair.

**THE REMEDIES DESCRIBED ABOVE FOR EACH WARRANTY ARE THE ONLY ONES THAT SUB-ZERO, INC. WILL PROVIDE, EITHER UNDER THIS WARRANTY OR UNDER ANY WARRANTY ARISING BY OPERATION OF LAW. SUB-ZERO, INC. WILL NOT BE RESPONSIBLE FOR ANY CONSEQUENTIAL OR INCIDENTAL DAMAGES ARISING FROM THE BREACH OF THIS WARRANTY OR ANY OTHER WARRANTY, WHETHER EXPRESS, IMPLIED OR STATUTORY.**

Some states do not allow the exclusion or limitation of incidental or consequential damages, so the above limitation or exclusion may not apply to you. This warranty gives you specific legal rights and you may also have other legal rights that vary from state to state.

To receive parts and/or service and the name of Sub-Zero factory certified service nearest you, contact Sub-Zero, Inc., P.O. Box 44848, Madison, WI 53744; check the contact & support section of our website, [subzero.com](http://subzero.com), email us at [customerservice@subzero.com](mailto:customerservice@subzero.com) or call 800-222-7820.

\*Stainless steel (doors, panels, handles, product frames and interior surfaces) are covered by a limited 60-day parts and labor warranty for cosmetic defects.

\*Replacement water filters and air purification cartridges are not covered by the product warranty.



Sub-Zero, Sub-Zero & Design, Dual Refrigeration, The Living Kitchen, Great American Kitchens The Fine Art of Kitchen Design, and Ingredients are registered trademarks and service marks of Sub-Zero, Inc. Wolf, Wolf & Design, Wolf Gourmet, W & Design and the color red as applied to knobs are registered trademarks and service marks of Wolf Appliance, Inc. (collectively, the "Company Marks.") All other trademarks or registered trademarks are property of their respective owners in the United States and other countries.



**SUB-ZERO**

SUB-ZERO, INC. P.O. BOX 44848 MADISON, WI 53744 SUBZERO.COM 800.222.7820

SZBIDG

1/2014