

**NEVER
MISS
AN ANGLE**



63 Series
IR Fisheye Network Camera



Multiple Display Modes

The 6MP/3MP IR Fisheye Network Camera supports several viewing modes, including the 360° overview (in 6 megapixel resolution and 3 megapixel resolution, respectively), a horizontal panoramic view, PTZ quad view modes. Customers can also utilize this smooth PTZ functionality to easily pan, tilt and zoom, on any region of interest (ROI).

High-frame display mode, up to 30fps:

Support 1 x fisheye view or PTZ quad view

Multi-channel display mode, up to 15fps:

Support 1 x fisheye view and 1 x panoramic view and 3 x PTZ view



Horizontal Panoramic View



PTZ Quad View



Original Fisheye View



- On-board storage (up-to 64GB)
- Audio/Alarm IO

- 120dB WDR (only for 3MP model)
- Outdoor version optional

Hikvision DS-2CD63 Series IR Fisheye Network Camera

It's all about seeing more with just one camera than with multiple cameras. As such, Hikvision designed its fisheye camera to single-handedly capture images from every corner of a particular location and eliminate blind spots. It features a progressive scan CMOS sensor to provide high-resolution images of up-to 3072 x 2048, and a fisheye lens for a 360 panoramic or Multiple de-warped views. Furthermore, IR functionality provides up to 15m IR distance of visibility under low or even zero-light conditions. Additionally with audio/alarm IO, on-board storage, WDR support make this Fisheye camera series a great choice for detailed coverage of wide, open areas like airports, shopping malls, parking lots, retail stores, offices, restaurants, classrooms, and more.

Models:

DS-2CD6362F-I(S)(V) 6MP IR Fisheye Network Camera

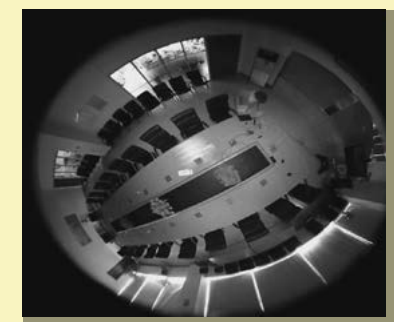
DS-2CD6332FWD-I(S)(V) 3MP WDR IR Fisheye Network Camera

IR Performance

Hikvision IR Fisheye Network Cameras are equipped with IR functionality, offering up-to 15m IR distance of visibility under low or even zero-light conditions.



Horizontal Panoramic View

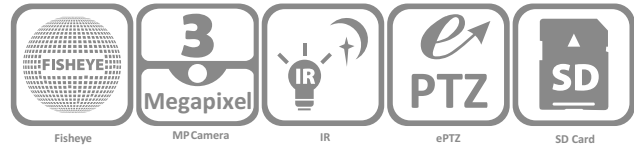


Original Fisheye View

DS-2CD6332FWD-I (V)(S)

3MP WDR Fisheye Network Camera

* Product picture and technical specs subject to change without previous notice.
For further information, please contact our local sales representatives.

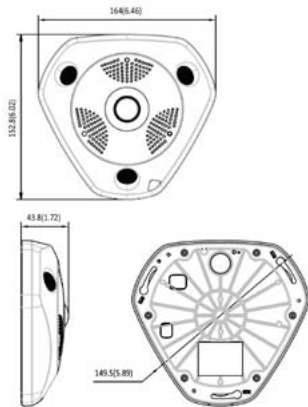


DS-2CD6332FWD-I, DS-2CD6332FWD-IS
DS-2CD6332FWD-IV, DS-2CD6332FWD-IVS
* -S: Audio/Alarm, RS 485 interface optional
* -V: IP66, Vandal-proof optional

Key features

- 1/3" progressive scan CMOS
- 3 megapixel image sensor
- True WDR, up to 120dB
- Up to 2048*1536 resolution, real-time streaming
- 360°view angle
- Multiple viewing modes
- Multiple ePTZ streams with preset and patrol functions
- Ceiling, Wall or Table mount modes
- Up to 15m IR range
- Built-in microphone & speaker
- Audio/Alarm I/O / RS485(-S model)
- IP66(-V model)
- IK10 vandal proof(-V model)

Dimension (unit: mm)



Accessories

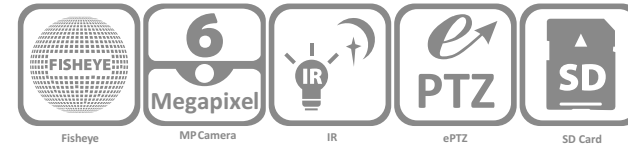


Camera	
Image sensor	1/3" Progressive Scan CMOS
Min. Illumination	0.1lux (F1.2, AGC ON); 0.28lux (F2.0, AGC ON); 0 lux with IR
Shutter speed	1/25 (1/30)s ~ 1/100,000s
Lens	1.19mm, F2.0; Angle of view: 360°
Lens mount	M12
Day & night	ICR
Compression standard	
Video compression	H.264/ MJPEG
H.264 Type	Baseline Profile / Main Profile / High Profile
Video bit rate	32 Kbps – 16 Mbps
Audio compression	G.711/ G.726/ MP2L2
Audio bit rate	64Kbps (G.711)/ 16Kbps (G.726)/ 64Kbps (MP2L2)
Network	
Network storage	NAS, SAMB / CIFS
Alarm trigger	Motion detection, Dynamic analysis, Tampering alarm, Network disconnect, IP address conflict, Storage exception
Protocols	TCP/IP, ICMP, HTTP, HTTPS, FTP, DHCP, DNS, DDNS, RTP, RTSP, RTCP, PPPoE, NTP, UPnP, SMTP, SNMP, IGMP, 802.1X, QoS, IPv6, Bonjour
Security	User Authentication, Watermark, IP address filtering, Anonymous access
Standard	ONVIF, PSIA, CGI, ISAPI
Image	
Max. Resolution	2048x1536
Frame rate	High-frame Mode: support 50Hz: 1 x fisheye (2048 x 1536, 25fps) or (1536 x 1536, 25fps) or 4 x PTZ (800 x 600, 25fps) 60Hz: 1 x fisheye (2048*1536, 25fps) or (1536 x 1536, 30fps) or 4 x PTZ (800 x 600, 30fps) Multi-channel Mode: support 50Hz: 1 x fisheye (1536 x 1536, 20fps) and 1 x panoramic (1600 x 1200, 20fps) and 3 x PTZ (800 x 600, 20fps) 60Hz: 1 x fisheye (1536 x 1536, 20fps) and 1 x panoramic (1600 x 1200, 20fps) and 3 x PTZ (800 x 600, 20fps)
Number of streams	High Frame Rate Mode: 1 or 4; Multi-Channel: up to 5; (No sub-streams)
Digital noise reduction	3D DNR
Wide dynamic range	120dB
Image setting	Saturation, Brightness, Contrast, Hue, Sharpness, AGC, White Balance
HLC	Support
Day/night switch	Auto / Manual / Scheduled / Alarm trigger
Interface	
Audio input	1 RJ45 10M/100M/1000M Ethernet interface 1 RS485 interface(-S)
Audio output	1 3.5mm audio interface, Mic in/Line in (-S) 1 built-in microphone by default, 24db
Communication interface	1 3.5mm audio output interface (-S) 1 built-in speaker by default, support echo cancellation
Alarm in/out (-s)	1/1
On-board storage	Built-in Micro SD/SDXC slot, up to 64 GB
General	
Operating conditions	-30 °C – 60 °C (-22 °F – 140 °F) ; Humidity 95% or less (non-condensing)
Power supply	DC12V±10% / PoE (802.3af)
Power consumption	Max. 12W
IR range	15 meters
Impact protection	-V: IEC60068-2-75Eh, 20J; EN50102, up to IK10
Ingress protection Level	-V: IP66
Dimensions	164x152.8x43.8mm(6.46"x6.02"x1.72")
Weight	1400g

DS-2CD6362F-I (V)(S)

6MP Fisheye Network Camera

* Product picture and technical specs subject to change without previous notice.
For further information, please contact our local sales representatives.

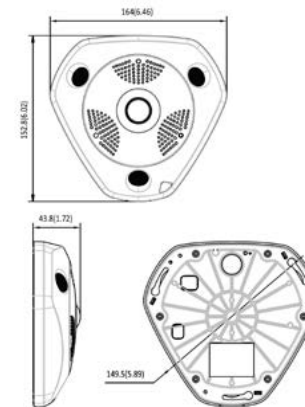


DS-2CD6362F-I, DS-2CD6362FD-IS
DS-2CD6362F-IV, DS-2CD6362F-IVS
* -S: Audio/Alarm, RS 485 interface optional
* -V: IP66, Vandal-proof optional

Key features

- 1/1.8" progressive scan CMOS
- 6 megapixel image sensor
- Up to 3072 x 2048 real-time streaming
- 360°view angle
- Multiple viewing modes
- Multiple ePTZ streams with preset and patrol functions
- Ceiling, Wall or Table mount modes
- Up to 15m IR range
- Built-in microphone & speaker
- Audio/Alarm I/O / RS485(-S model)
- IP66(-V model)
- IK10 vandal proof(-V model)

Dimension (unit: mm)



Available Models



Camera	
Image sensor	1/1.8" progressive scan CMOS
Min. Illumination	0.05lux (F1.2, AGC ON) ; 0.3lux (F2.8, AGC ON) ; 0 lux with IR
Shutter speed	1/25 (1/30)s ~ 1/100,000s
Lens	1.27mm, F2.8; Angle of view: 360°
Lens mount	M12
Day & night	ICR
Compression standard	
Video compression	H.264/MJPEG
H.264 Type	Baseline Profile / Main Profile / High Profile
Video bit rate	32 Kbps – 16 Mbps
Audio compression	G.711/ G.726/ MP2L2
Audio bit rate	64Kbps (G.711)/ 16Kbps (G.726)/ 64Kbps (MP2L2)
Network	
Network storage	NAS, SAMB / CIFS
Alarm trigger	Motion detection, Dynamic analysis, Tampering alarm, Network disconnect, IP address conflict, Storage exception
Protocols	TCP/IP, ICMP, HTTP, HTTPS, FTP, DHCP, DNS, DDNS, RTP, RTSP, RTCP, PPPoE, NTP, UPnP, SMTP, SNMP, IGMP, 802.1X, QoS, IPv6, Bonjour
Security	User Authentication, Watermark, IP address filtering, Anonymous access
Standard	ONVIF, PSIA, CGI, ISAPI
Image	
Max. Resolution	3072 x 2048
Frame rate	High-frame Mode: support 50Hz: 1 x fisheye (3072 x 2048, 25fps) or (2048 x 2048, 25fps) or 4 x PTZ at (1024 x 768, 30fps) 60Hz: 1 x fisheye (3072 x 2048, 25fps) or (2048 x 2048, 30fps) or 4 x PTZ at (1024 x 768, 30fps) Multi-channel Mode: support 50Hz: 1 x fisheye (1280 x 1280, 12.5fps) and 1 x panoramic (2048 x 1536, 12.5fps) and 3 x PTZ (1024 x 768, 12.5fps) 60Hz: 1 x fisheye (1280 x 1280, 15fps) and 1 x panoramic (2048 x 1536, 15fps) and 3 x PTZ (1024 x 768, 15fps)
Number of streams	High Frame Rate Mode: 1 or 4; Multi-Channel: up to 5; (No sub-streams)
Digital noise reduction	3D DNR
Wide dynamic range	Digital WDR
Image setting	Saturation, Brightness, Contrast, Hue, Sharpness, AGC, White Balance
HLC	Support
Day/night switch	Auto / Manual / Scheduled / Alarm trigger
Interface	
Audio input	1 3.5mm audio interface, Mic in/Line in (-S) 1 built-in microphone by default, 24db
Audio output	1x 3.5mm audio output interface (-S) 1x Built-in speaker by default, support echo cancellation
Communication interface	1 3.5mm audio output interface (-S) 1 built-in speaker by default, support echo cancellation
Alarm in/out	1/1
On-board storage	Built-in Micro SD/SDXC slot, up to 64 GB
General	
Operating conditions	-30 °C – 60 °C (-22 °F – 140 °F) ; Humidity 95% or less (non-condensing)
Power supply	DC12V±10% / PoE (802.3af)
Power consumption	Max. 12W
IR range	15 meters
Impact protection	-V: IEC60068-2-75Eh, 20J; EN50102, up to IK10
Ingress protection Level	-V: IP66
Dimensions	164x152.8x43.8mm(6.46"x6.02"x1.72")
Weight	1400g

Typical Application

The fisheye camera provides HD performance and 360°/180° panoramic views, allowing users the ability to conveniently monitor all angles of a particular location with only a single camera. The fisheye is perfect for retail, lobby, warehouse, parking lot or...



Supermarket



Lobby



Shopping Mall



Warehouse



Parking lot



Mobile

Fisheye + PTZ Dome Solution

What happens when a Fisheye camera combines with PTZ Dome camera?

63 Series Fisheye Camera

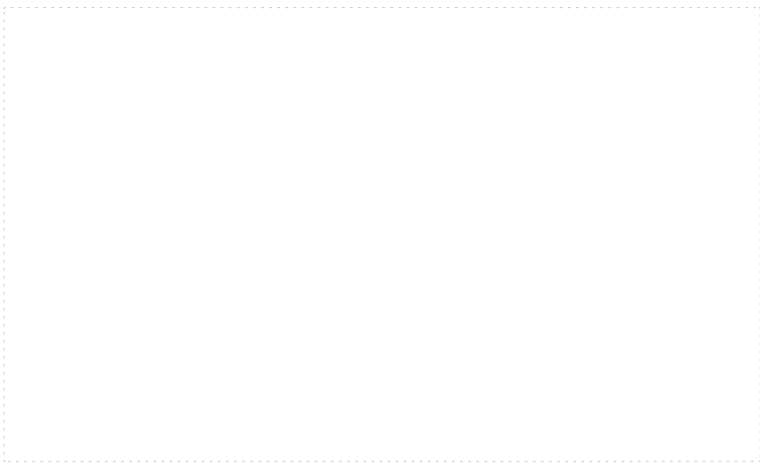


IP PTZ Dome Camera

You Get Both the **Macro** **Micro** view!

Overview Wrapped Around Detailed Surveillance

Hikvision presents its Fisheye Camera and IP PTZ Dome Camera combo. This camera combo was developed with groundbreaking new technology to elegantly combine both a panoramic's 360° surround view and a PTZ for precise detail ... a perfect solution to monitor wide areas in the greatest of detail. Now, locations such as department stores, station lobbies, airports, and parking lots are both covered from a Fisheye overview and in micro detail with a PTZ zoomed onto it. Generality and precision both wrapped into one excellent solution.



Hikvision USA

Tel: +1-909-895-0400
Email: sales@hikvisionusa.com

Hikvision Europe

Tel: +31-23-5542770
Email: saleseuro@hikvision.com

Hikvision Middle East

Tel: +971-4-8847628
Email: salesme@hikvision.com

Hikvision India

Tel: +91-22-28469900
Email: sales@pramahikvision.com

Hikvision Russia

Tel: +7-812-313-19-63
Email: salesru@hikvision.com

Hikvision Italy

Tel: +39-0438-6902
Email: info.it@hikvision.com

Hikvision France

Tel: +33(0)1-85-330-450
Email: info.fr@hikvision.com

Hikvision Singapore

Tel: +65 6684 4718
Email: sg@hikvision.com

Hikvision Oceania

Tel: +61 2 8599 4233
Email: salesau@hikvision.com

Hikvision Hong Kong

Tel: +852-2151-1761
Email: sales@hikvision.com



Headquarters

No.555 Qianmo Road, Binjiang District, Hangzhou, China
Tel: +86-571-8807-5998 Fax: +86-571-8993-5635
Email: overseasbusiness@hikvision.com
Technical Support: support@hikvision.com