

THE HOTTEST NAME IN HEATING

## SAHARA with Safeguard and SAHARA DE LUXE with Safeguard

### USER'S INSTRUCTIONS

**IMPORTANT - This fire is for use on Natural Gas ONLY (G20)**

#### INTRODUCTION

This fire must be installed and serviced by a 'Gas Safe' registered engineer in accordance with the Installation and Servicing Instructions, Gas Safety (Installation and Use) Regulations and the rules in force.

Where solid fuel has been used, the chimney must be swept prior to installation.

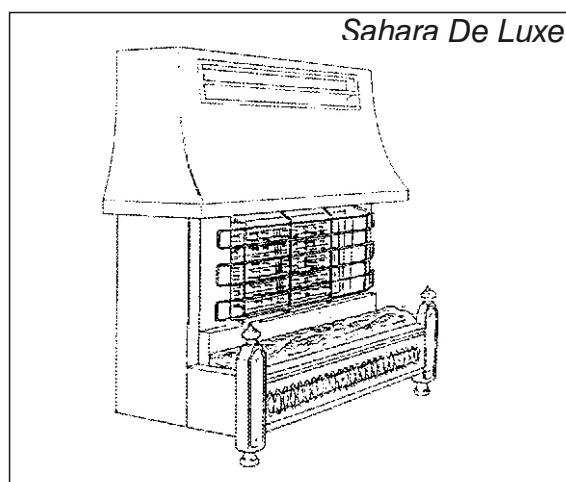
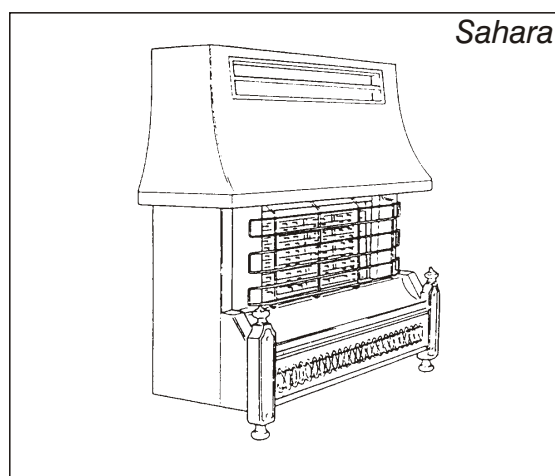
#### IMPORTANT: "SOFT FURNISHINGS"

When considering fitting any heating appliance or wallpapering a room in which one is fitted, if "soft furnishings" or other heat sensitive materials are used in the vicinity of the heat source, they may become heat damaged or discoloured.

**DRESSGUARD:** The guard on this appliance conforms to the requirements of BS 1945 : 1991 and satisfies the Heating Appliances (Fireguards) (Safety) Regulations 1991. The guard is to prevent risk of fire or injury from burns and should not be permanently removed.

IT DOES NOT GIVE FULL PROTECTION FOR YOUNG CHILDREN, THE ELDERLY OR THE INFIRM. A fireguard conforming to B.S. 8423 (Fireguards for heating appliances for domestic use) should be used for the protection of children, the elderly or the infirm. Such a guard is also recommended for pet animals.

*THIS LEAFLET IS INTENDED TO HELP YOU UNDERSTAND AND USE YOUR NEW GAS FIRE EFFICIENTLY. PLEASE READ THESE INSTRUCTIONS BEFORE USING THE FIRE AND KEEP FOR FUTURE REFERENCE.*



**RADIANT/CONVECTOR  
GAS FIRE**

Sahara (Pewter)	G.C. No. 32 689 38
Sahara (Antique Bronze)	G.C. No. 32 689 39
Sahara De Luxe (Pewter)	G.C. No. 32 689 40
Sahara De Luxe (Antique Bronze)	G.C. No. 32 689 41

LEAVE THESE INSTRUCTIONS WITH THE USER

**NOTE:**

After the fire has been installed, you may wish to fix a shelf of combustible material above. This is quite acceptable provided you comply with the dimensions shown in the table.

The distance between the case side of the fire and any permanent fittings must be at least 50mm (2in). The battery powered ignition option requires around 115mm clearance at the RH side in order to change the battery.

When the fire is first used, a slight smell may be given off, but this will soon clear.

On the De Luxe model some light will be reflected below onto the hearth, and onto the wall behind the fire.

DEPTH OF SHELF		HEIGHT OF SHELF (above fire)	
mm	(in)	mm	(in)
152	6	115	4½
165	6½	122	4¾
178	7	128	5
191	7½	135	5¼
201	8	141	5½

## Electrical Connections (De Luxe)

This appliance must only be connected to a 200/250 v.a.c. 50Hz supply.

**WARNING  
THIS APPLIANCE MUST  
BE EARTHED**

GREEN AND YELLOW - EARTH  
BLUE - NEUTRAL  
BROWN - LIVE

As the colours of the wires in the mains lead of this appliance may not correspond with the coloured markings identifying the terminals in your plug, proceed as follows:

The wire which is coloured green and yellow must be connected to the terminal in the plug which is marked with the letter E or by the earth symbol  $\perp$  or coloured green and yellow.

The wire which is coloured blue must be connected to the terminal which is marked with the letter N, or coloured black.

The wire which is coloured brown must be connected to the terminal which is marked with the letter L, or coloured red.

If the terminals of the plug are unmarked, consult a qualified electrician. Two pin plugs must not be used. FOR FUSED PLUGS, USE A 3 AMP FUSE.

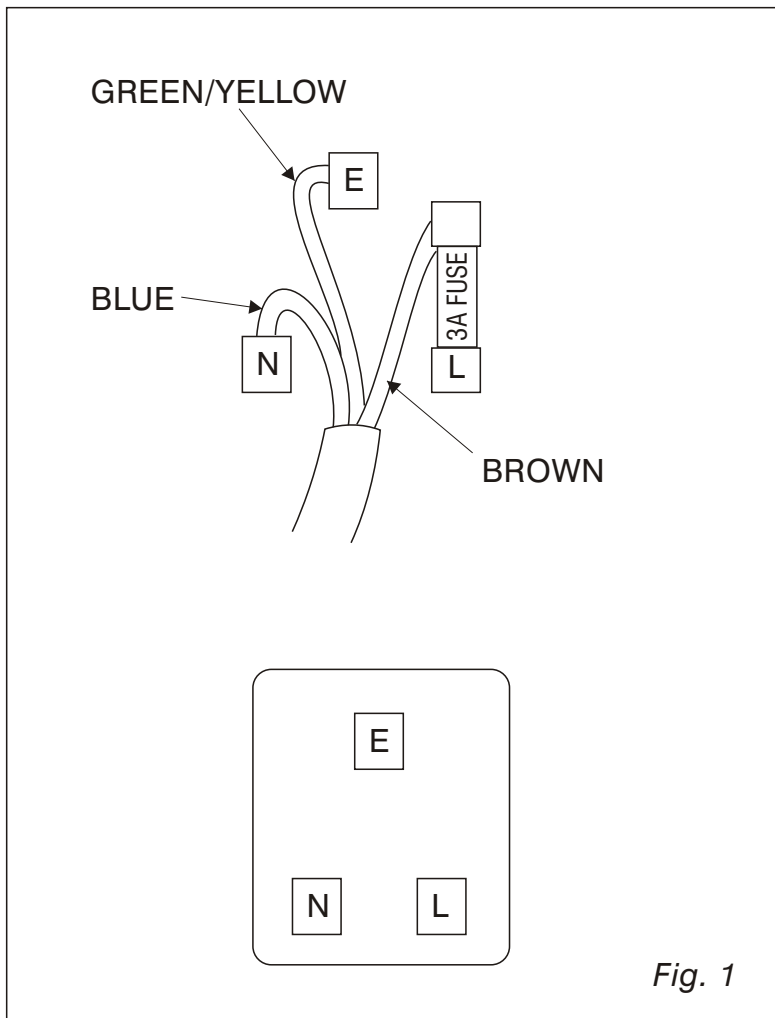


Fig. 1

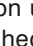

# To Light and Operate

(Refer to Fig. 2)

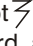
## WARNING

**If the flames are found to be extinguished and the control knob is NOT in the OFF position, the control knob must be turned to OFF and no attempt should be made to relight the gas until at least 3 minutes have elapsed.**

### Piezo Spark Ignition

Push in the control knob and turn it anti-clockwise from OFF position towards the pilot  position until you feel some resistance. With the knob still pushed in, pause for one to two seconds and then continue to turn to pilot . The piezo operates and two 'clicks' will be heard and the pilot lights. Keep the control knob pushed in for a further 10 seconds before releasing. The pilot should remain lit and can be seen below the right centre radiant. If the pilot did not light or failed to remain alight, push in the control knob slightly and turn clockwise to OFF position and repeat the lighting procedure. Once the pilot is established turn the control knob to the desired setting.

### Battery Spark ignition


Depress the control knob and turn it slowly anticlockwise to the pilot  position. Depress the control knob, sparks will be heard and the pilot should light which can be seen below the right centre radiant. If the pilot did not light try again, by depressing the control knob. When the pilot has lit keep the knob depressed for a further 10 seconds to activate the flame supervision device, otherwise the pilot will go out again. Once the pilot is established turn the control knob to the desired setting.

### CHANGING THE BATTERY

The ignition spark generator, containing the battery (size AA), is located at the lower rear RH side. Unscrew the cap, anti-clockwise, off the battery holder. Remove the battery, and replace with a new one. This should be inserted 'flat end first' - this is the negative terminal. Replace the cap carefully to avoid cross-threading it.

Please note: Consumable items, such as batteries, are not covered by the guarantee.

Control Knob Setting	Radiant Picture
1	Centre 2 radiants on low
2	Centre 2 radiants on full on
3	Centre 2 radiants on full on, outer 2 on low
4	All 4 radiants on full on

NOTE: The control knob is situated on the top right hand side of the fire and is marked with the symbols OFF, Pilot , 1, 2, 3, 4.

The fire is fitted with a flame supervision and Oxygen depletion device. This will shut the fire off if the pilot goes out for any reason. This may be caused by the Oxygen level in the room falling below a prescribed level due to a poor flue pull etc. If the fire keeps going out you **must** have it checked by a 'Gas Safe' registered engineer.

The pilot burns at all settings, giving a localised extra glow to the left of the centre right hand radiant. This localised glow will be more visible at the lower settings, and is quite normal.

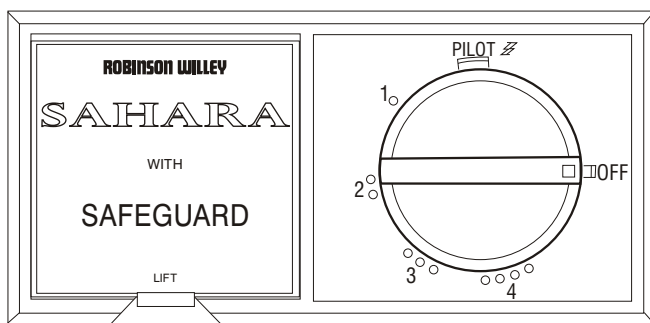



Fig. 2

## WARNING

**If you want to relight a hot fire, wait 3 minutes before doing so.**

### LIGHTING WITH A TAPER

In the unlikely event of failure of the ignition spark, the fire can be lit with a taper. First light the taper and apply it to the pilot and then press the control knob and turn it anti-clockwise to pilot  position. After the pilot is lit, keep the knob pushed in for a further 10 seconds before releasing. The pilot should still remain lit.

A control knob adaptor to assist the operation of the fire is included if required. If not, keep it for possible future use.

### TO TURN OFF

Push in the control knob slightly and turn it clockwise to the OFF position. If you wish, instead of turning to OFF you may turn to PILOT and leave the pilot running permanently. The pilot consumes very little gas (0.2kW).

NOTE 1: Instructions for lighting are also in the lift up lid of the bezel on the fire.

NOTE 2: The control knob should be pushed in slightly before turning and always set to one of the stated positions.

The control knob is connected to the gas tap by a universal coupling and will have a 'loose feel' to it, which should not cause concern.

# Simple Maintenance

Do not attempt to clean the fire while it is warm. Withdraw the plug from the electricity supply before removing any parts of the fire (De Luxe).

## 1. SPINNERS (De Luxe)

If the spinners do not rotate, remove the fender assembly by first lifting it upwards and pulling it away from the fire, remove the log effect and lift the spinners out. (N.B.: Take care as the pivot pins are very sharp). Observe if any of the spinner blades are distorted and, if so, set these to the same angle as the remainder. Check that the pivot pins are clean, sharp and vertical. If necessary lubricate the spinner pivot bearing by lightly rotating a sharpened soft lead pencil in the bearing in the underside of the plastic centre of the spinner. When replacing the spinners, fit the spinner with the red plastic centre on the right hand pin, and the spinner with the white centre on the left hand pin. Replace the log. Replace the fender assembly.

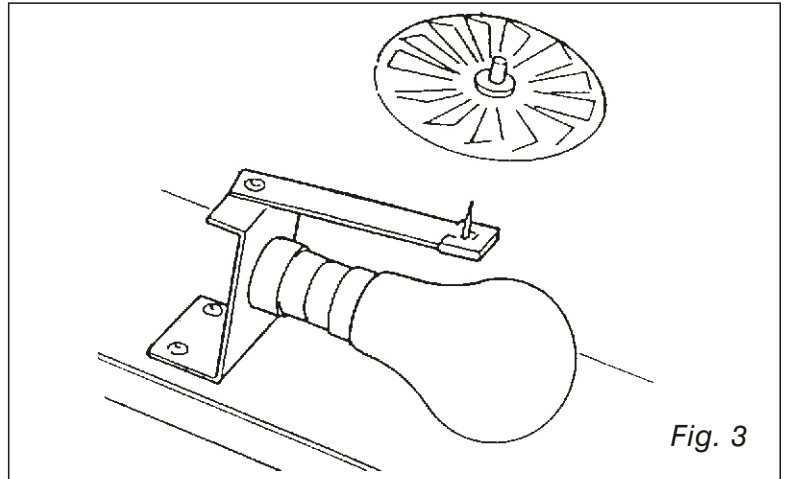


Fig. 3

## 2. BULB CHANGING (De Luxe)

Remove the fender assembly by first lifting it upwards and pulling it away from the fire, then remove the log and spinners. The bulbs may be removed and replaced as required using 60W Fireglow bulbs. The maker's part number is 820 134 and the G.C. Part Number is 138 076. Replace the spinners, log effect and fender assembly.

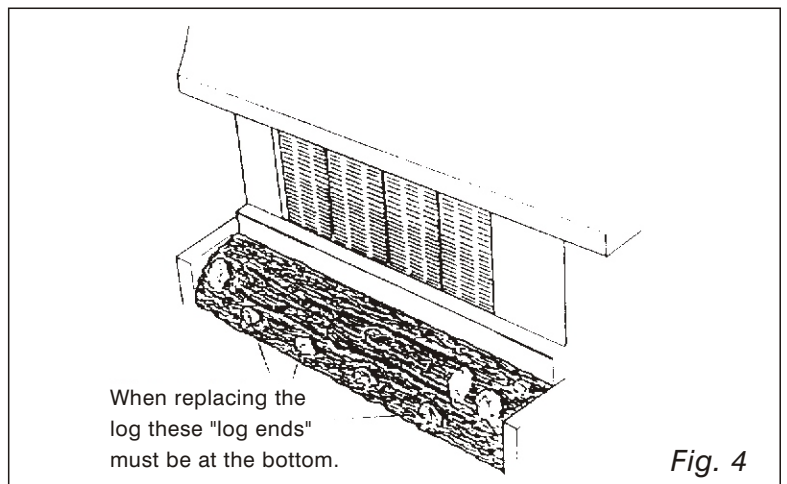


Fig. 4

## 3. RADIANT CHANGING

Caution: Make sure the fire is cold before starting.

Remove the dressguard by withdrawing the prongs from the left and right hand side reflectors then withdraw the dressguard downwards (See Fig. 5).

Take care not to scratch the reflectors. Remove the radiant by lifting upwards and outwards.

Replace the radiants by inserting them underneath the firebox canopy top first and ensure that they sit down behind the front lip of the radiant support. Replace the dressguard by inserting the vertical prongs into the holes in the top reflector then re-engage the left and right prongs into the holes in the side reflectors.

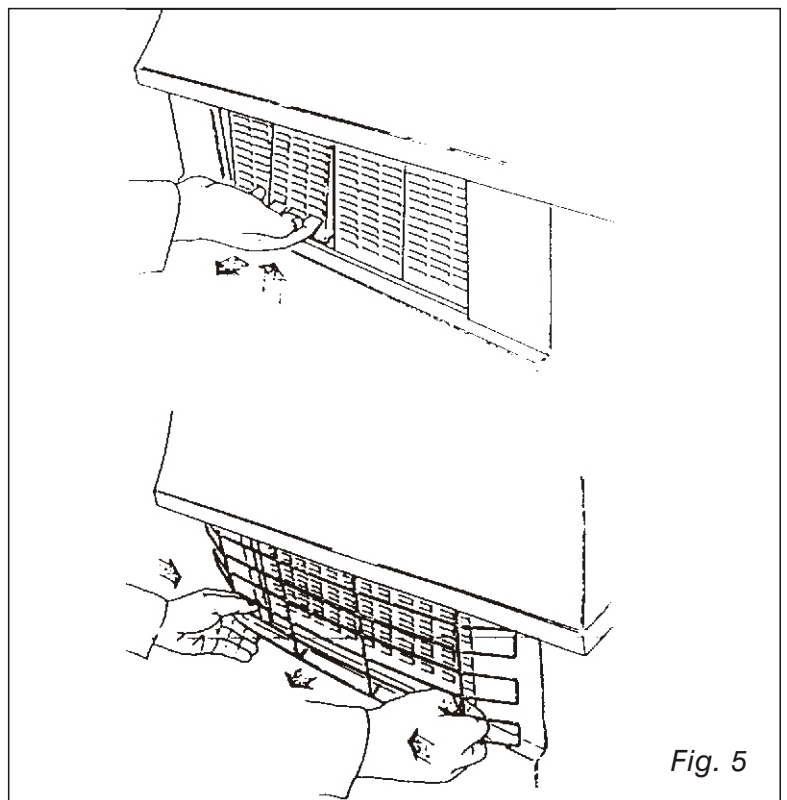


Fig. 5

## Cleaning

### WARNING

**Withdraw the plug from the electricity supply before cleaning any parts of the fire ( De Luxe)  
Do not attempt to clean the fire while it is warm.**

Generally cleaning can be done with a damp, soapy cloth, followed by polishing with a soft cloth. if necessary, the chromed parts only may be cleaned with a metal polish. Abrasive cleaners should never be used. The radiants can be dusted with a soft brush. Do not polish the canopy, a light dusting is sufficient.

## Transfer of Fire

If for any reason the user wishes to have the gas fire fitted to another fireplace, the closure plate, i.e. the metal plate covering the fireplace opening must be taken with the fire for installation at the new site.

## Spares and Service

For spares and service, apply to your local British Gas stating that the appliance is a **SAHARA with Safeguard** or **SAHARA De Luxe with Safeguard** and quote the G.C. Number and Serial Number which can be found on the right hand side of the fire. You must also state if your fire has battery spark ignition.

Full ON this gas fire will consume 6.04 units of gas per hour and 1.55 units on low setting. When installed in a typical chimney, the fire gives a maximum output of 4.78kW.

If any "Home Improvements" are made to the dwelling in which a gas appliance is fitted, e.g. the fitting of an extractor fan, draught-proofing or double glazing, then the air supply to and the flueing of the appliance must be re-checked by a 'Gas Safe' registered engineer.

**ADVANTAGE SHOULD BE TAKEN OF  
ANNUAL SERVICING/INSPECTION FOR GAS APPLIANCES**

# Shortlist of Parts

THESE PARTS ARE REPLACEABLE BY THE USER.

G.C. PART No.	MAKERS PART No.	DESCRIPTION
154 371	995971	Radiant
138 913	820863	Control Knob
159 505	822161	Spinner L.H. White Centre
159 504	822160	Spinner R.H. Red Centre
138 076	820134	60W Fireglow Bulb

THE GAS CONSUMERS' COUNCIL  
(GCC) IS AN INDEPENDENT  
ORGANISATION WHICH PROTECTS  
THE INTEREST OF GAS USERS. IF YOU  
NEED ADVICE, YOU WILL FIND THE  
TELEPHONE NUMBER IN YOUR LOCAL  
TELEPHONE DIRECTORY UNDER GAS.

Robinson Willey part of GDC Group Ltd  
Millbrook House, Grange Drive, Hedge End, Southampton, SO30 2DF  
Telephone: 0844 879 3588 Fax: 0844 879 3582  
Website: [www.robinsonwilley.co.uk](http://www.robinsonwilley.co.uk)  
Email: [customer.services@gdcgroup.co.uk](mailto:customer.services@gdcgroup.co.uk)

**Robinson Willey is a Trading Division of the GDC Group Ltd**

992490  
Issue 12