



DYNAMIX PL-E

Powerline Adapter



User's Manual

Copyright

Copyright 2003 by this company. All rights reserved. No part of this publication may be reproduced, transmitted, transcribed, stored in a retrieval system, or translated into any language or computer language, in any form or by any means, electronic, mechanical, magnetic, optical, chemical, manual or otherwise, without the prior written permission of this company.

Disclaimer

This company makes no representations or warranties, either expressed or implied, with respect to the contents hereof and specifically disclaims any warranties, merchantability or fitness for any particular purpose. Any software described in this manual is sold or licensed "as is". Should the programs prove defective following their purchase, the buyer (and not this company, its distributor, or its dealer) assumes the entire cost of all necessary servicing, repair, and any incidental or consequential damages resulting from any defect in the software. Further, this company reserves the right to revise this publication and to make changes from time to time in the contents hereof without obligation to notify any person of such revision or changes.

All brand and product names mentioned in this manual are trademarks and/or registered trademarks of their respective holders.

Important Safety Instructions

1. *Read these instructions carefully.*
2. *Follow all warnings and instructions marked on the product.*
3. *Unplug this product from the wall outlet before cleaning. Do not use liquid cleaners or aerosol cleaners. Use a damp cloth for cleaning.*
4. *Do not use this product near water.*
5. *This product should never be placed near or over a radiator or heat register, or in a built-in installation unless proper ventilation provided.*
6. *This product should be operated from the type of power indicated on the marking label. If you are not sure of the type of power available, consult your dealer or local power company.*
7. *This product relies on the building's electrical installation for short-circuit (over current) protection. Ensure that a fuse or circuit breaker no larger than 120 VAC or 230 VAC (depends on the power supply type in your country) is used on the phase conductors (all current-carrying conductors).*
8. *Plug the device directly into a 120 VAC or 230 VAC (depends on the power supply type in your country) wall outlet. Do not use an extension cord between the adapter and the AC power source.*
9. *Do not attempt to service this product yourself, as opening or removing covers may expose you to dangerous voltage points or other risks as well as ruin product warranty. Refer all servicing to qualified service personnel.*
10. *Unplug the AC coupler from the wall outlet and refer the product to qualified service personnel for the following conditions:*
 - *If liquid has been spilled into the product.*
 - *If the product has been exposed to rain or water.*
 - *If the product does not operate normally when the operating instructions are followed.*
 - *If the product exhibits a distinct change in performance.*

About this Manual

Purpose

This user manual gives you all the information you need to install and operate the Powerline Adapter properly.

Manual Structure

This user manual consists of four chapters:

Chapter 1 Getting Started

This chapter tells you what items are contained in the package and things that you need to check before you proceed the installation.

Chapter 2 Overview

This chapter gives you all the necessary information that you need to know about the Powerline Adapter, such as its features and layout.

Chapter 3 Setting Up

This chapter contains step-by-step procedure on how to install this product and other necessary peripherals, configure it under Windows operating system, and verify its installation.

Chapter 4 Troubleshooting

This chapter gives tips on how to solve the problems that you might encounter.

Table of Contents

Chapter 1 Getting Started

- 1.1 Package Contents*
- 1.2 System Requirements*

Chapter 2 Overview

- 2.1 Specifications*
- 2.2 Front View*
- 2.3 Back View*

Chapter 3 Setting Up

- 3.1 ESD Precautions*
- 3.2 Installing the Powerline Adapter*
- 3.3 Installing the Driver and Utility*
- 3.4 Configuring the Powerline Adapter*
- 3.5 Uninstalling the Powerline Adapter Utility*

Chapter 4 Troubleshooting

Chapter 1 Getting Started

Congratulations on your purchase of this Powerline Adapter. This product features the latest innovations in high-speed network, making electronic communication faster and easier. It allows you to network your computers via your existing home power lines. It offers a data transmission speed of up to 14 Mbps, and reaches up to 990 feet through standard power lines. This User Manual will show you how to install and properly use this product in order to take full advantage of its features.

1.1 Package Contents

Make sure that you have the following items:

- 1. Powerline Adapter with Ethernet or USB interface*
- 2. User Manual*
- 3. CD with Drivers and Configuration Utility*
- 4. RJ-45 CAT 5 crossover cable or USB type A/B cable*

If any of the items is damaged or missing, contact your dealer immediately.

1.2 System Requirements

- *Available AC power outlets in the room*
- *Standard home power line wiring*
- *Computers with 10/100Base-T adapters, or 10/100Base-T switch/hub
(For Ethernet Powerline Adapter)*
*Computers with available USB interface
(For USB Powerline Adapter)*
- *CD-ROM drive*
- *The laptop or desktop must have one of these operating systems, i.e.,
Microsoft Windows 98SE, Millennium, Windows 2000 and Windows
XP*
- *Penitum II 300 MHZ MMX-Compatible PC or greater*
- *At least 64MB hard disk space and memory*

Chapter 2 Overview

Before you proceed with the installation, it is necessary that you have enough information about this product. This chapter tells you all you need to know about the Powerline Adapter.

2.1 Specifications

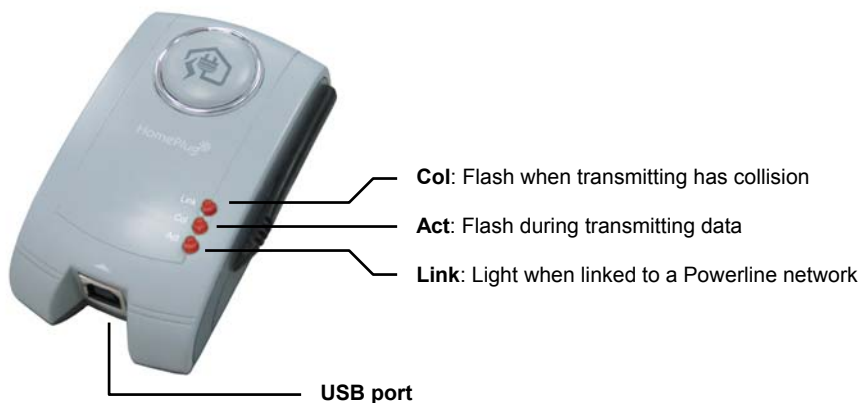
Features:

- ▶ *HomePlug 1.0 compliant*
- ▶ *Operates on existing home electric wiring*
- ▶ *Plug-and-Play (PnP) operation provides easy setup*
- ▶ *LED indicators indicate connection status*
- ▶ *Data transmission rate up to 14Mbps for Ethernet interface; 12Mbps for USB interface*
- ▶ *Built-in QoS and Error Correction features*
- ▶ *56-bit DES Link Encryption with key management for secure powerline communications*
- ▶ *Driver and communication software suit provided*
- ▶ *One USB type B connection or one 10Base-T/100Base-TX LAN connection*

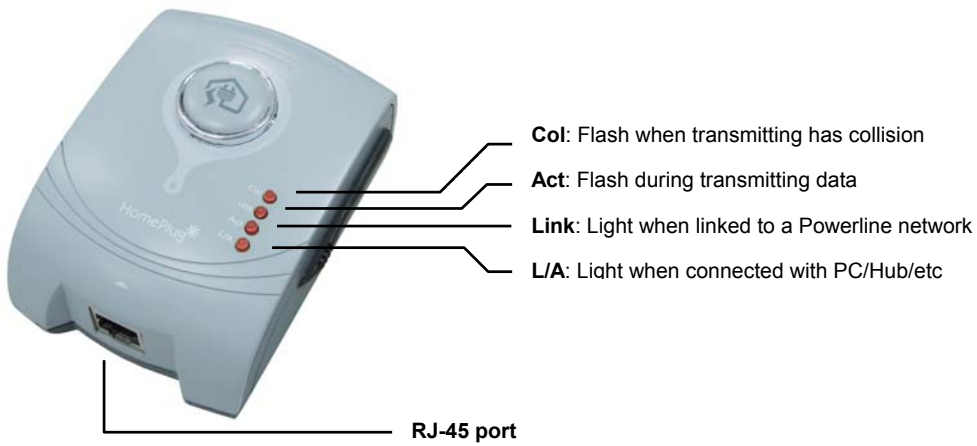
2.2 Front View

The LED indicators located on the front panel show the status and activity.

- ▶ USB Powerline Adapter



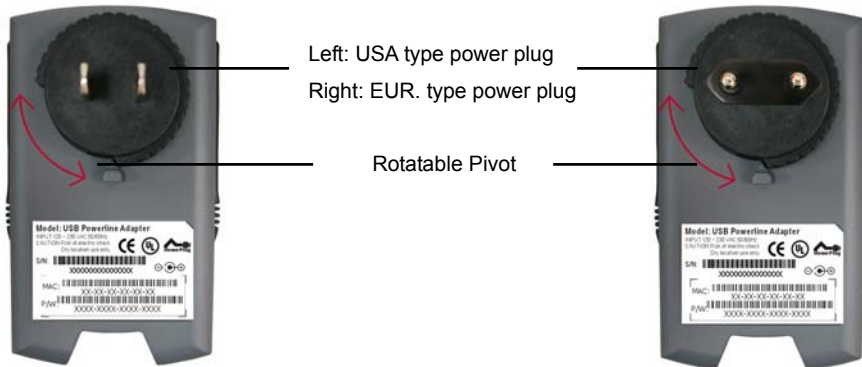
► Ethernet Powerline Adapter



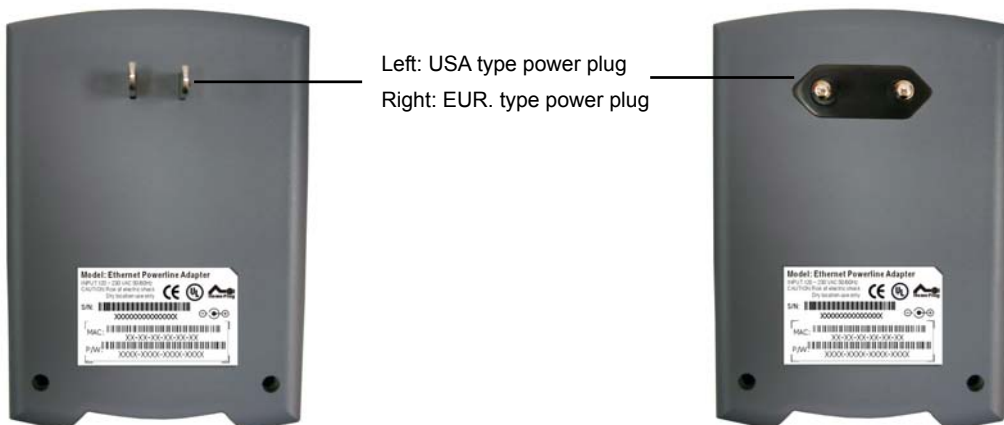
2.3 Back View

The LED indicators located on the front panel show the status and activity. The table below lists the function of each LED indicator:

► USB Powerline Adapter



► Ethernet Powerline Adapter



Chapter 3 Setting Up

This chapter contains detailed instructions on how to install and configure the Powerline Adapter as well as how to verify its installation. We recommend that you follow the steps accordingly to avoid future problems.

3.1 ESD Precautions

Electrostatic discharge (ESD) can damage your processor, disk drives, expansion boards, and other system components. Always observe the following precautions before you install any system component.

- 1. Do not remove a component from its protective housing.*
- 2. Wear a wrist grounding strap and attach it to a metal part of the system unit before handling components. If a wrist strap is not available, maintain contact with the system unit throughout any procedure requiring ESD protection.*

3.2 Installing the Powerline Adapter

- 1. Boot your computer system.*
- 2. Arrange a power outlet nearby and then plug the Powerline Adapter into the outlet.*
- 3. Connect the USB Powerline Adapter and your computer with the USB cable; connect the Ethernet Powerline Adapter and your computer via an available LAN adapter with the RJ-45 crossover cable.*

NOTE: *Check the voltage range in your area before plugging your Powerline Adapter into an outlet.*

3.3 Installing the Driver and Utility

► USB Powerline Adapter

1. Click **Cancel** to close the Found New Hardware Wizard and insert the packaged CD into your CD-ROM drive.



2. The drivers are being installed into your computer.



3. *Except Windows 98 operation system, you don't need to reboot your computer. There will be a new icon on your desktop after finishing driver installation. Please verify that the LINK LED on the USB Powerline Adapter lights up.*



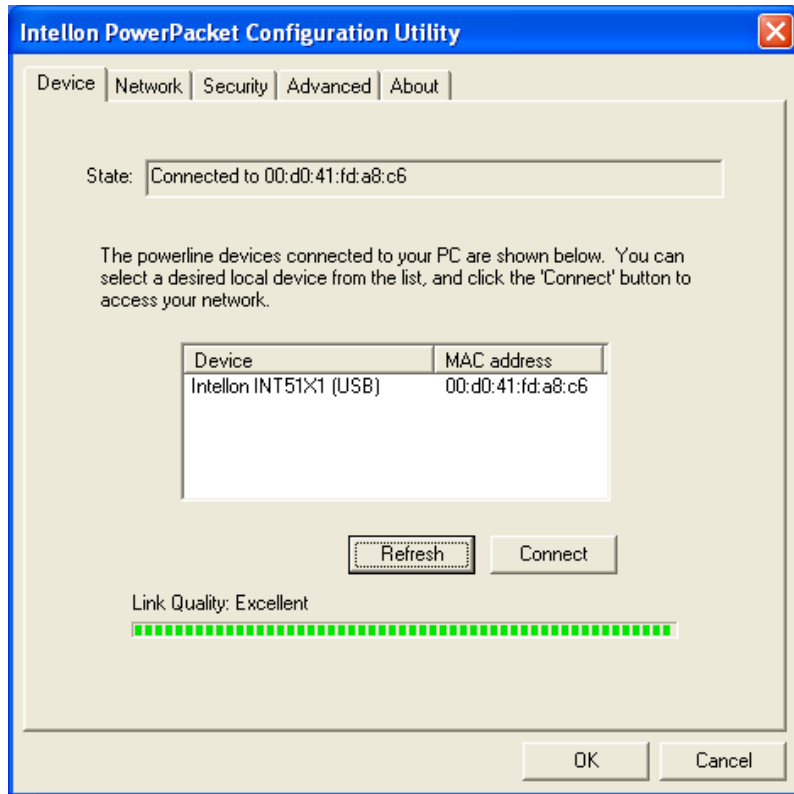
► *Ethernet Powerline Adapter*

1. *Insert the packaged CD into your CD-ROM drive, browse the CD the file **PowerlineAdapter.exe** (ex: E:\USB DRIVERS\PowerlineAdapter.exe) and double click it. The utility will be installed into your computer and a new icon will appear on your desktop. Please verify that the LINK LED and L/A LED on the Ethernet Powerline Adapter light up.*

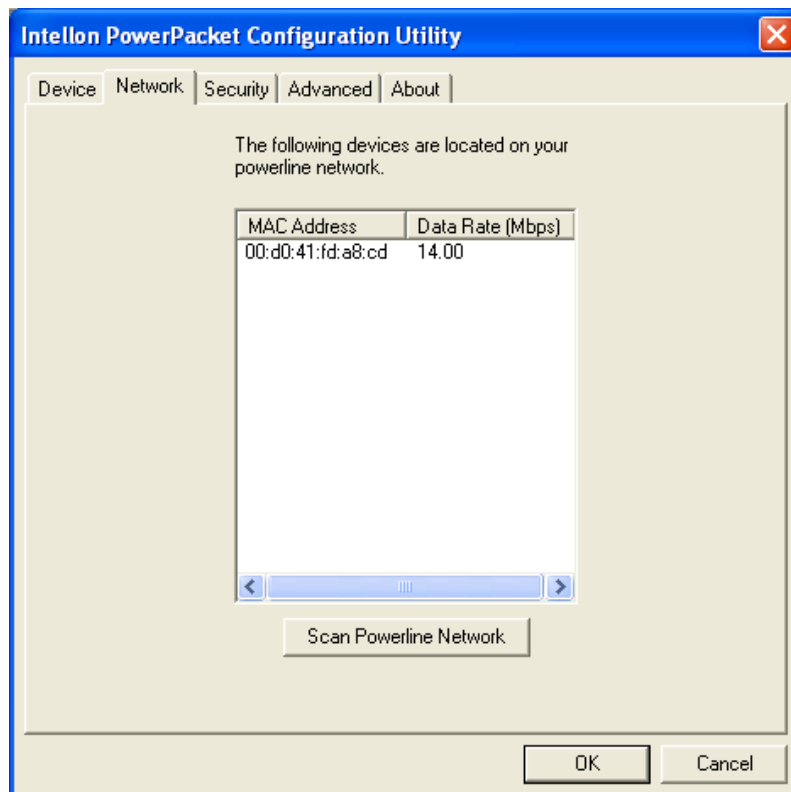


3.4 Configuring the Powerline Adapter

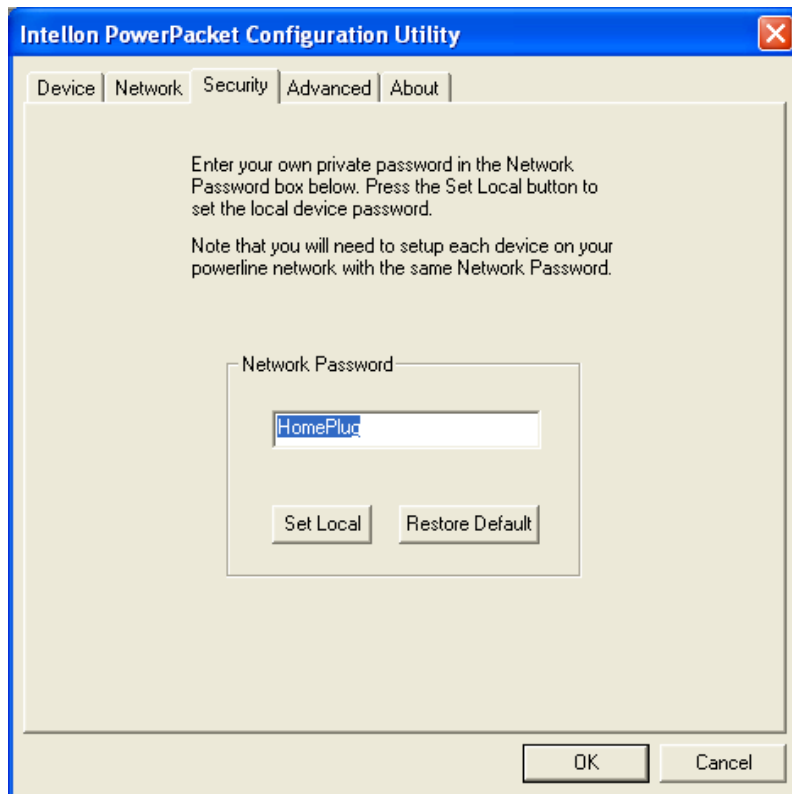
1. *Double click the **Powerline Configuration** icon shown on your desktop. The Device tab shows the MAC address of your Powerline device connected to your computer. If you have installed more than two Powerline devices, select the preferred one and click **Connect** to access your network. Click **Refresh** whenever you add or eliminate Powerline devices. The Link Quality depends on the site's power circuit condition, power stability, etc.*



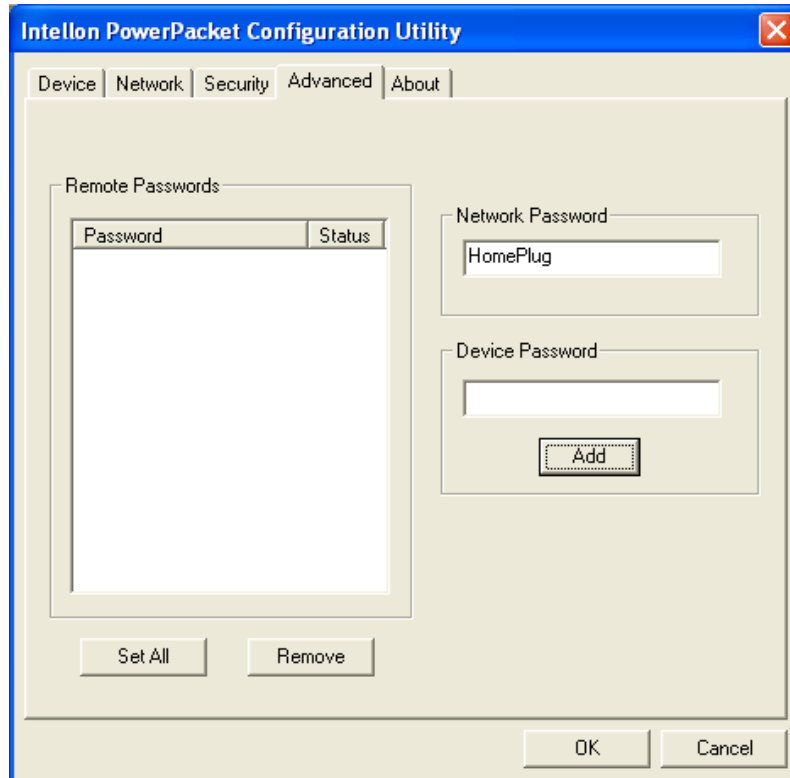
2. *The Network tab shows all Powerline devices present on your network. Click **Scan Powerline Network** to update Powerline network.*



3. The Security tab shows the default network password is HomePlug. Enter your own private network password if needed and click **Set Local**.



4. The Advanced tab allows you to add other remote device password. You don't need this password unless other devices set different network password with yours. Each device password is different and listed on the bottom case label stuck on each Powerline Adapter. Enter the device password (The format is xxxx-xxxx-xxxx-xxxx) and click **Add**. Click **Set All** to activate the new-added password and the status column will be shown OK.



5. Click **OK** to close the Utility program.

3.5 Uninstalling the Powerline Adapter Utility

1. Detach the Powerline Adapter from your computer.
2. From your PC desktop, click **Start -> Programs -> Powerline Adapter -> Uninstall**

Chapter 4 Troubleshooting

1. Why other Powerline Adapters aren't listed on the network of my Configuration Utility?

Ans: Make sure other devices are working properly and correctly installed. Please also check if every device uses the same network password. Try to set each device with the same network password or add other device's device password into your remote password list.

2. What types of security problems will I be encountering?

Ans: If your house is on the same power grid as your neighbor, it is possible for a hacker to get in your network. However, this problem can be easily overcome by activating the encryption key of each Powerline device.

3. Will HomePlug operate on different circuit breakers?

Ans: HomePlug can operate on different circuit breakers without affecting the performance. However, the signal will not pass through the power transformers outside your house.

4. What OS does the HomePlug utility software fully support?

Ans: Windows 98SE, ME, 2000, and XP. Windows NT and Mac are only supported by the Ethernet Powerline Adapter as a Bridge.

5. How does 56bit-DES compare with Wireless 802.11b 128bit-WEP encryption?

Ans: 56bit-DES is superior because of its DES type encryption. Just because 802.11b uses 128bit-WEP with more bits doesn't mean the encryption is better. HomePlug devices use hardware 56bit-DES encryption. With hardware encryption the signal is almost impossible to crack. The hardware encryption process does not affect bandwidth, and the encryption is enabled at all times.