

INSTRUCTIONS FOR USE

BEFORE USING THE APPLIANCE

SAFEGUARDING THE ENVIRONMENT

**PRECAUTIONS AND GENERAL
RECOMMENDATIONS**

**HOW TO OPERATE THE REFRIGERATOR
COMPARTMENT**

**HOW TO OPERATE THE FREEZER
COMPARTMENT**

HOW TO DEFROST AND CLEAN THE FREEZER

**HOW TO CLEAN THE REFRIGERATOR
COMPARTMENT**

CARE AND MAINTENANCE

TROUBLESHOOTING GUIDE

AFTER-SALES SERVICE

INSTALLATION

ELECTRICAL CONNECTION

BEFORE USING THE APPLIANCE

- Your new appliance is designed exclusively for domestic use

To get the most out of your new appliance, read the user handbook thoroughly. The handbook contains a description of the appliance and useful tips for storing food. Keep this handbook for future consultation.

1. After unpacking, make sure that the appliance is undamaged and that the door closes properly. Any damage must be reported to your dealer within 24 hours after delivery of the appliance.
2. Wait at least two hours before switching the appliance on in order to ensure the refrigerant circuit is fully efficient.
3. Installation of the appliance and electrical connections must be carried out by a qualified electrician, in accordance with the manufacturer's instructions and local safety regulations
4. Clean the inside of the appliance before using it.

SAFEGUARDING THE ENVIRONMENT


1. Packing

The packaging material is entirely recyclable, and marked with the recycling symbol. Follow local regulations for scrapping. Keep the packaging materials (plastic bags, polystyrene parts, etc.) out of reach of children, as they are potentially dangerous.

2. Scrapping

The appliance is manufactured using recyclable material.

This appliance is marked according to the European directive 2002/96/EC on Waste Electrical and Electronic Equipment (WEEE). By ensuring this product is disposed of correctly, you will help prevent potential negative consequences for the environment and human health, which could otherwise be caused by inappropriate waste handling of this product.

The symbol  on the product, or on the documents accompanying the product, indicates that this appliance may not be treated as household waste. Instead it shall be handed over to the applicable collection point for the recycling of electrical and electronic equipment.

Before scrapping, make the appliance unusable by cutting off the power cable and removing the doors and shelves so that children cannot easily climb inside the appliance.

Disposal must be carried out in accordance with local environmental regulations for waste disposal. Deliver the appliance immediately to an authorized dump; do not leave it unattended even for a few days, since it is potentially dangerous for children. For more detailed information about treatment, recovery and recycling of this product, please contact your local city office, your household waste disposal service or the shop where you purchased the product.

Information:

This appliance does not contain CFCs (replaced with R134a) or HFCs (replaced with R600a). Appliances with Isobutane (R600a): isobutane is a naturally occurring, low environmental impact gas. Caution is required, however, because isobutane is flammable. Therefore, it is essential to ensure that refrigerant pipelines are not damaged.

Declaration of conformity

- This appliance is designed to store food and is manufactured in conformity with EEC directive No. 89/109/CEE, 90/128/CEE, 02/72/CEE.



- This appliance is designed, manufactured, and retailed in compliance with:
 - the safety objectives of the Low Voltage Directive 73/23/EEC;
 - the protection requirements of the "EMC" Directive 89/336/EEC, amended by Directive 93/68/EEC;
- The electrical safety of the appliance can only be guaranteed if the product is connected to an approved earth connection.



PRECAUTIONS AND GENERAL RECOMMENDATIONS


- Use the refrigerator compartment only for storing fresh food and beverages and use the freezer compartment only for storing frozen food, freezing fresh food and making ice cubes.
- After installation, make sure that the appliance is not standing on the power supply cable.
- Do not store glass containers with liquids in the freezer since they may burst.
- Do not eat ice cubes or ice lollies immediately after taking them out of the freezer since they may cause cold burns.
- Before carrying out any maintenance or cleaning, always unplug the appliance or disconnect the power supply.
- Make sure that your appliance is not near a heat source.
- Do not store or use gasoline or other flammable vapours and liquids in the vicinity of this or any other appliance. The fumes can create a fire hazard or explosion.
- To ensure proper ventilation leave a 1 cm space on both sides and above the appliance.
- Ensure that the vent outlets on the appliance casing or housing unit are unobstructed in order to allow correct air circulation.
- All appliances equipped with an ice maker or water dispenser must be connected to a mains water supply that delivers potable water only (with water pressure between 1.7 and 8.1 bar (25 and 117 PSI)). Ice makers and/ or water dispensers not directly connected to a mains water supply must be filled with potable water only.
- Install and level the appliance on a floor strong enough to take its weight and in an area suitable for its size and use.

- Install the appliance in a dry and well-ventilated place. The appliance is set for operation at specific ambient temperature ranges, according to the climatic class indicated on the data plate: The appliance may not work properly if it is left for a long period at a temperature above or below the indicated range.

Climatic class	Amb. T. (°C)	Amb. T. (°F)
SN	From 10 to 32	From 50 to 90
N	From 16 to 32	From 61 to 90
ST	From 18 to 38	From 64 to 100
T	From 18 to 43	From 64 to 110

- Be careful not to damage the floors when you move the appliance (e.g. parquet flooring).
- Do not use mechanical devices or any means other than those recommended by the manufacturer to speed up the defrosting process.
- Do not damage the refrigerant circuit.
- Do not use electrical appliances inside the freezer compartments, unless such appliances are specifically recommended by the manufacturer.
- This appliance is not designed for use by young children or the infirm.
- To avoid the risk of children being trapped and therefore suffocating, do not allow them to play or hide inside the appliance.
- The power cable may only be replaced by an authorized person.
- Do not use extension leads or adapters.
- It must be possible to disconnect the appliance from the mains by unplugging it or by means of a two-pole switch fitted upline of the socket.
- Ensure that the voltage indicated on the appliance data plate corresponds to the domestic supply voltage
- Do not ingest the contents (non-toxic) of the ice packs (if provided).

HOW TO OPERATE THE REFRIGERATOR COMPARTMENT

This appliance is a refrigerator with a start freezer  compartment.

Defrosting of the refrigerator compartment is completely automatic.

The refrigerator can operate at ambient temperatures between +10°C and +38°C. Optimal performance is obtained at temperatures between +16°C and +32°C.

Switching on the refrigerator for the first time

Insert the plug into the mains socket.

The thermostat is used to adjust the temperature of both compartments: refrigerator and freezer.

How to adjust the temperature of the compartments:

1. For correct operation and optimum storage of food, **follow instructions given in the enclosed product sheet for thermostat adjustment.**
2. To adjust the temperature in the refrigerator compartment, turn the thermostat control knob:
 - **lowest/MIN** numbers for the **LEAST COLD** internal temperatures;
 - **highest/MAX** numbers for the **COLDEST** internal temperatures.

Thermostat set to ●: no operation, no light.

Note:

The ambient air temperature, frequency of door opening and the position of the appliance can affect internal temperatures. These factors must be taken into account when setting the thermostat.

How to use the refrigerator compartment

Position the food as illustrated in the figure.


- A. Cooked food
- B. Fish, meat
- C. Fruit and vegetables
- D. Bottles
- E. Eggs
- F. Butter, cheese and dairy products

Notes:

- The space between the shelves and the rear wall of the refrigerator compartment must be unobstructed to allow circulation of air.
- Do not place food in direct contact with the rear wall of the refrigerator compartment.
- Do not place hot food in the refrigerator or freezer.
- Store liquids in closed containers.
- Storing vegetables with a high water content can result in condensation in the crisper drawer: this will not affect the correct operation of the appliance.



HOW TO OPERATE THE FREEZER COMPARTMENT

The freezer is a star  compartment. This compartment can be used to store frozen foods for the period of time indicated on packaging. The freezer can also be used to freeze fresh food by positioning it on the rack; place frozen food in the lower part of the compartment so that there is no contact with fresh food that has yet to be frozen.

The quantity of fresh food that can be frozen in 24 hours is shown on the rating plate.

Important:

Before freezing, wrap and seal fresh food in:

- aluminium foil, cling film, air and water-tight plastic bags, polythene containers with lids or freezer containers suitable for freezing fresh food.
- In the event of a power cut, the freezer compartment will maintain a sufficiently low temperature for food storage. However, it is advisable to avoid opening the compartment door during such periods.

Important:

The table alongside shows the recommended maximum storage time for frozen fresh foods.

When purchasing frozen food products:

- Ensure that the packaging is not damaged (frozen food in damaged packaging may have deteriorated). If the package is swollen or has damp patches, it may not have been stored under optimal conditions and defrosting may have already begun.
- When shopping, leave frozen food purchases until last and transport the products in a thermally insulated cool bag.
- Place the items in the freezer compartment as soon as you get home.
- If food has defrosted even partially, do not re-freeze it. Consume within 24 hours.
- Avoid, or reduce temperature variations to the minimum. Respect the best-before date on the package.
- Always observe the storage information on the package.

Making ice cubes

- Fill the ice cube tray 3/4 with water and place it at the bottom of the freezer compartment. Do not use sharp or pointed instruments to detach the tray if it is stuck to the compartment bottom.



MONTHS	FOOD
1-3	
4-7	
8-12	



HOW TO DEFROST AND CLEAN THE FREEZER

Defrost the freezer compartment once or twice a year, or when the ice on the walls reaches a thickness of about 3 mm. If possible, defrost the freezer when it is nearly empty.

1. Remove the food from the freezer, wrap in a newspaper and group together in a cool place or in a portable cooler.
2. **Disconnect the appliance from the mains power supply.**
3. Leave the door open to allow the frost to melt.
4. Remove the defrost water from the compartment bottom.
5. Clean the interior using a sponge dampened in a solution of warm water and neutral detergent.
Do not use abrasive products.
6. Rinse the interior and dry thoroughly.

Note: Do not use sharp or pointed metal instruments to scrape off ice; do not heat the freezer compartment artificially.



HOW TO CLEAN THE REFRIGERATOR COMPARTMENT

Periodically clean the inside of the refrigerator compartment.

Defrosting of the refrigerator compartment is completely automatic.

Droplets of water on the rear wall of the refrigerator compartment indicate that the periodic automatic defrost cycle is in progress.

The defrost water is automatically routed to a drain outlet and into a container from which it evaporates.

Clean the defrost water drain outlet regularly using the tool supplied with the appliance in order to ensure defrost water is removed correctly.

Before carrying out any cleaning operations, disconnect the appliance from the power supply.

- Use a sponge dampened in lukewarm water and/or neutral detergent.
- Rinse the interior and dry with a soft cloth.

Do not use abrasive products.



CARE AND MAINTENANCE

For built-in appliances

- Periodically clean air vents with a vacuum cleaner or a brush (see **figure A**).
- Clean the outside using a soft cloth.

Freestanding appliances

- Periodically clean the condenser at the rear of the appliance with a vacuum cleaner or a brush (see **figure B**).

Long vacation

1. Empty the refrigerator and freezer compartments.
2. Disconnect the appliance from the mains power supply.
3. Defrost the freezer compartment, and clean and dry both compartments.
4. Leave the doors open to prevent formation of unpleasant odours.

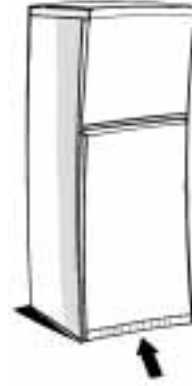


Fig. A

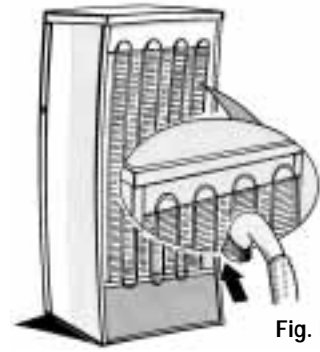


Fig. B

TROUBLESHOOTING GUIDE

1. The appliance is not working.

- Is there a power failure?
- Is the plug properly inserted in the socket?
- Is the double-pole switch on?
- Has the fuse blown?
- Is the power cord in perfect condition?
- Is the thermostat set to ● (Stop)?

2. Temperature inside the compartments is not low enough.

- Is the door shut properly?
- Is the appliance installed near a heat source?
- Is the thermostat setting correct?
- Are the air circulation grilles blocked?

3. Temperature inside the refrigerator compartment is too low.

- Is the thermostat setting correct?

4. Water collects at the bottom of the refrigerator compartment.

- Is the defrost water drain blocked?

5. The inside light is not working.

Perform the checks for problem 1, then:

- Disconnect the appliance from the mains power supply.

To inspect the bulb, refer to the instructions and illustration on the attached table.

- Check the bulb and if necessary replace it. Replace using maximum 15W bulb.

6. Excessive frost build-up in the freezer compartment

- Is the door shut properly?
- Is food obstructing proper door closure?

Notes:

- **The front edge of the appliance may be hot. This prevents the formation of condensation and is not a defect.**
- **Gurgling and hissing noises due to expansion in the refrigerant circuit are normal.**

AFTER-SALES SERVICE

Before contacting After-Sales Service:

1. See if you can solve the problem yourself with the help of the "Troubleshooting guide".
2. Switch the appliance on again to see if the problem persists.
If it does, switch off and wait for about an hour before switching on.
3. If the problem persists after this course of action, contact After-sales Service.
Specify:
 - the nature of the problem,
 - the model,
 - the Service number (the number after the word

SERVICE on the data plate on the inside of the appliance),

- your full address,
- your telephone number and area code.



Note: The direction of door opening can be

INSTALLATION

- Install the appliance away from heat sources.
- Install the appliance in a dry, well-ventilated place.
- Do not obstruct the top and bottom vent zones.
- Clean the inside (see chapter "How to clean the refrigerator compartment").
- Fit the accessories supplied.

Electrical Connection

- **Electrical connections must be made in accordance with local regulations.**
- Voltage and power consumption are indicated on the rating plate (at the side of the crispers).

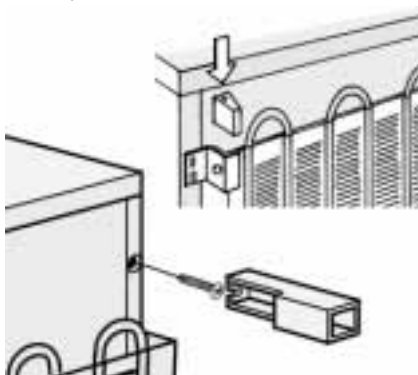
Freestanding appliances (not built-in)

- Fit the spacers (if supplied) on the rear of the condenser positioned at the back of the appliance (see figure).
- To optimize appliance efficiency, leave a 5 cm gap above the appliance and make sure that adjacent kitchen units are sufficiently distanced to allow air circulation.
- Ensure that the appliance is level, using the front adjustment feet if necessary.

- **Regulations require that the appliance is earthed. The manufacturer declines all liability for injury to persons or animals and for damage to property resulting from failure to observe the above procedures and reminders.**
- If the plug and socket are not of the same type, have the socket replaced by a qualified electrician.
- Do not use extension leads or adapters.

Disconnecting the appliance

- It must be possible to disconnect the appliance by unplugging it or by means of a two-pole switch fitted upline of the socket.



ELECTRICAL CONNECTION

For Great Britain only

Warning - this appliance must be earthed

Fuse replacement

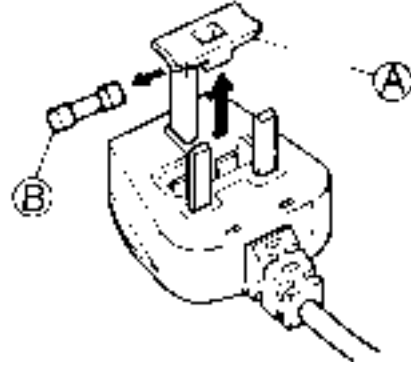
If the mains lead of this appliance is fitted with a BS 1363A 13amp fused plug, to change a fuse in this type of plug use an A.S.T.A. approved fuse to BS 1362 type and proceed as follows:

1. Remove the fuse cover (A) and fuse (B).
2. Fit replacement 13A fuse into fuse cover.
3. Refit both into plug.

Important:

The fuse cover must be refitted when changing a fuse and if the fuse cover is lost the plug must not be used until a correct replacement is fitted.

Correct replacement are identified by the colour insert or the colour embossed in words on the base of the plug. Replacement fuse covers are available from your local electrical store.

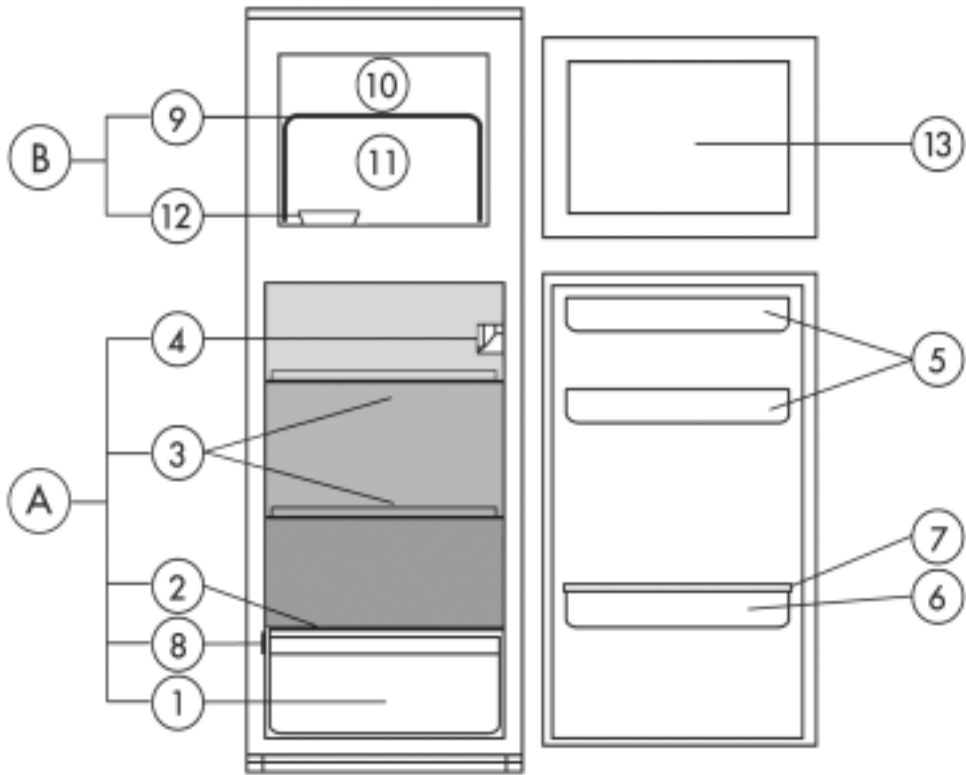


Socket outlet / plug

If the fitted plug is not suitable for your socket outlet, please contact Whirlpool Service on 0870 600 8989 for further instruction. Please do not attempt to change plug yourself. This procedure needs to be carried out by a qualified Whirlpool technician in compliance with the manufactures instructions and current standard safety regulations.

For the Republic of Ireland only

The information given in respect of Great Britain will frequently apply, but a third type of plug and socket is also used, the 2-pin, side earth type. In this case, the wire which is coloured GREEN AND YELLOW must be connected to the EARTH contact, and the two wires to the two pins, irrespective of colour. The supply to the socket must be fitted with a 16 amp fuse.

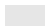




A. Refrigerator compartment

1. Crisper drawer
2. Crisper shelf
3. Shelves / Shelf area
4. Thermostat control knob/light
5. Door trays
6. Bottle rack
7. Removable bottle restraint
8. Rating plate (at the side of crisper drawer)

B. Freezer compartment

9. Grid
10. Area for freezing
11. Area for storing frozen foods
12. Ice cube tray
13. Freezer compartment inner door

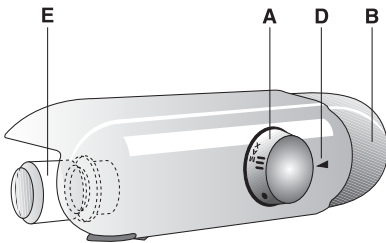
-  Least cold zone
-  Intermediate temperature zone
-  Coldest zone

Note: The number of shelves and type of accessories may vary, depending on the model.
All shelves, door trays and racks are removable.

Important: Refrigerator accessories must not be washed in a dishwasher.

The Fridge/Freezer is switched on by means of the thermostat located inside the refrigerator compartment. The thermostat also serves to adjust the temperature in both the refrigerator and freezer compartments.

Fridge/Freezer compartment controls



- A. Thermostat knob
- B. Light switch
- D. Thermostat control reference
- E. Light bulb (max 15 W)

- Thermostat set to **1/MIN**: **minimum refrigeration.**
- Thermostat set to **3-5/MED**: **medium refrigeration.**
- Thermostat set to **7/MAX**: **refrigeration maximum cooling.**
- Thermostat set to **●**: **no refrigeration, no light**

Recommended thermostat setting: 3-5/MED position.

When putting food in to freeze, turn the thermostat control knob down half a position (e.g. from 4 to 3.5).

Fresh food will be completely frozen after 24 hours: the thermostat control knob can then be returned to the previous position (e.g. from 3.5 to 4).

The refrigerator can operate at ambient temperatures between +10°C and +38°C. Optimal performance is obtained at temperatures between +16°C and +38°C.

Note: The ambient air temperature, the frequency of opening the door and the position of the appliance can affect the internal temperatures of the refrigerator. These factors must be taken into account when setting the thermostat.

Removing the light bulb



Unscrew the bulb anticlockwise as shown in the figure.