

Pablo®

# CIRCA

## ASSEMBLY & INSTALLATION INSTRUCTIONS

### TABLE OF CONTENTS

pg. 2-5.....	CIRCA TABLE
pg. 6-9.....	CIRCA FLOOR
pg. 10-13.....	CIRCA PEDESTAL
pg. 14-17.....	CIRCA WALL
pg. 18-21.....	CIRCA PENDANT

---

Pablo®

# CIRCA TABLE

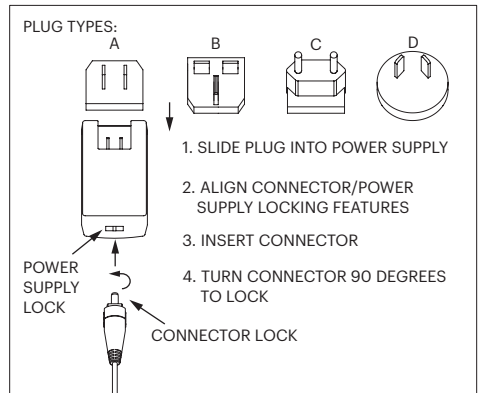
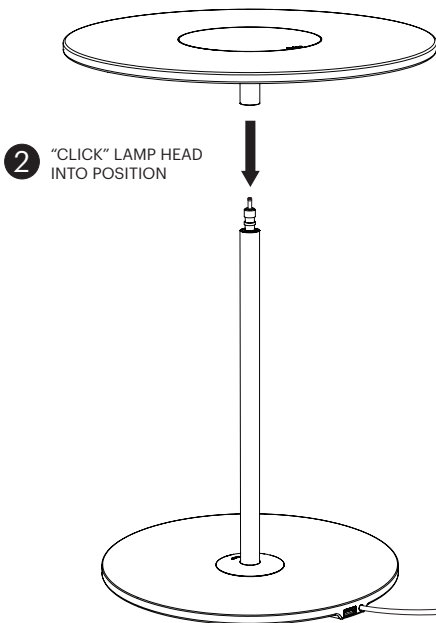
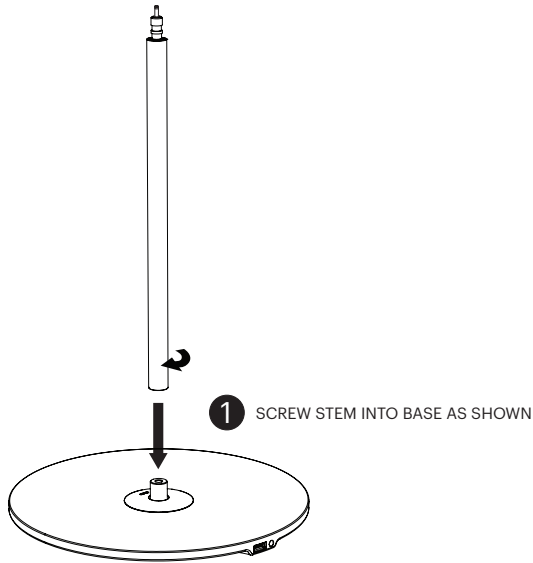
ASSEMBLY & INSTALLATION INSTRUCTIONS



# Pablo®

## CIRCA TABLE

### ASSEMBLY



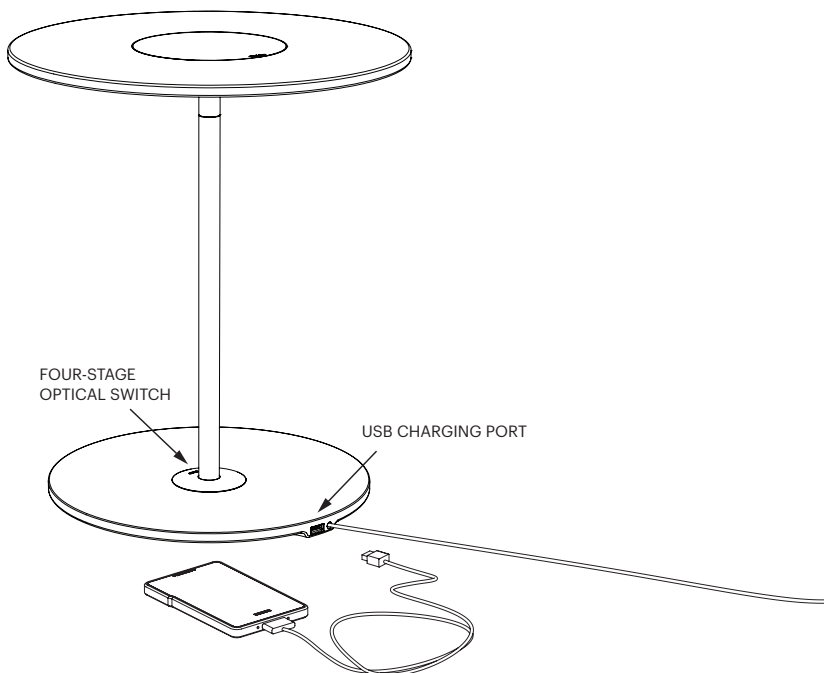
A. N AMERICA B. UK C. EU D. AU

NOTE: CONTACT MANUFACTURER FOR ADDITIONAL PLUG TYPE REQUIREMENTS.

# Pablo®

# CIRCA TABLE

## CIRCA TABLE SWITCH AND USB CHARGING



### HIGHLIGHTS

SINGLE 5.0V USB OUTPUT SUPPORTS CHARGING FOR SMARTPHONES, TABLETS AND OTHER MOBILE DEVICES.

### SPECIFICATIONS

USB 2.0 OR 1.1 STANDARD CORD REQUIRED (CORD NOT INCLUDED)  
OUTPUT VOLTAGE: 5VDC + - 5%  
OUTPUT CURRENT: 1A MAX

### NOTE

CIRCA TABLE WILL CONTINUE TO CHARGE YOUR MOBILE DEVICE EVEN WHEN LAMP IS IN THE "OFF" POSITION.

PLEASE REFER TO YOUR MOBILE DEVICE'S USER MANUAL FOR COMPATIBILITY AND CHARGING TIME. PLEASE REFRAIN FROM LEAVING YOUR DEVICE PLUGGED IN FOR LONGER THAN THE RECOMMENDED TIME, OTHERWISE IT MAY RESULT IN OVER CHARGING.

PRESS AND HOLD OPTICAL SWITCH FOR 1.5 SECONDS TO TURN OFF. TAP BRIEFLY TO CYCLE THROUGH FOUR STAGES.

### CARE INSTRUCTIONS

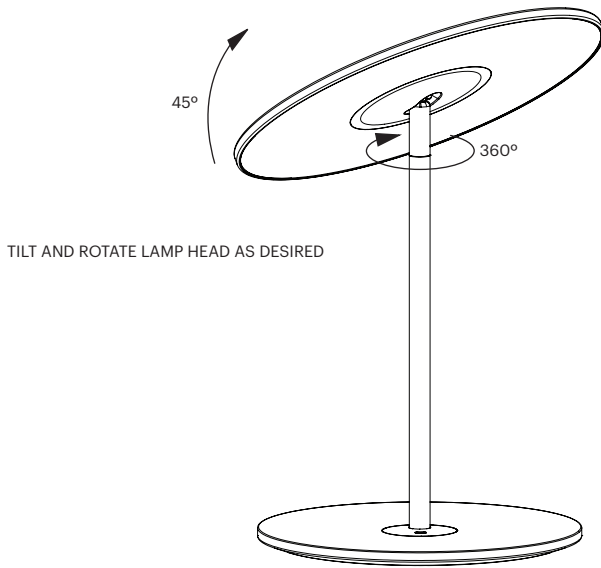
WIPE CLEAN WITH A SOFT DAMP CLOTH. AVOID AMMONIA-BASED CLEANERS.

# Pablo®

# CIRCA TABLE

---

## ADJUSTMENT



---

INFO@PABLODESIGNS.COM  
888 MARIN STREET  
SAN FRANCISCO, CA  
94124

PABLODESIGNS.COM

Pablo®

# CIRCA FLOOR

## ASSEMBLY & INSTALLATION INSTRUCTIONS

INFO@PABLODESIGNS.COM  
888 MARIN STREET  
SAN FRANCISCO, CA  
94124

PABLODESIGNS.COM



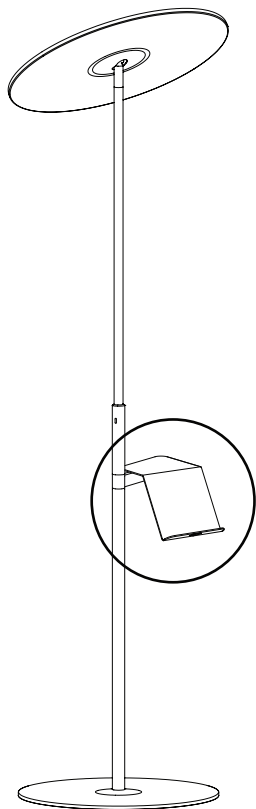
# Pablo®

## CIRCA FLOOR

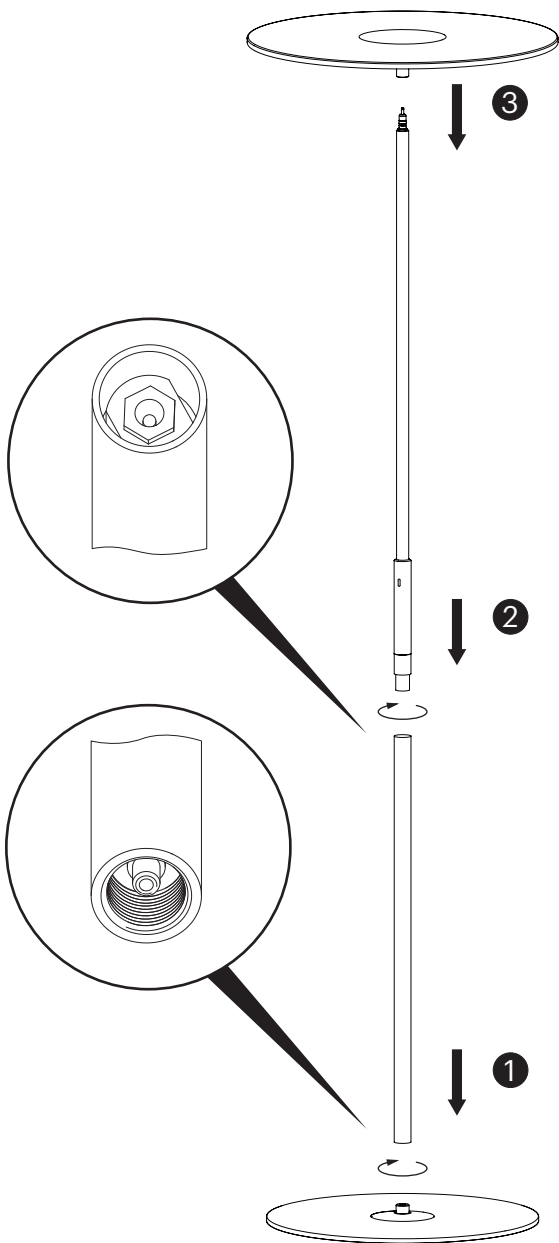
### ASSEMBLY

1. SCREW LOWER STEM INTO BASE AS SHOWN
2. SCREW UPPER STEM INTO LOWER STEM AS SHOWN
3. "CLICK" LAMP HEAD INTO POSITION

### OPTIONAL ACCESSORY



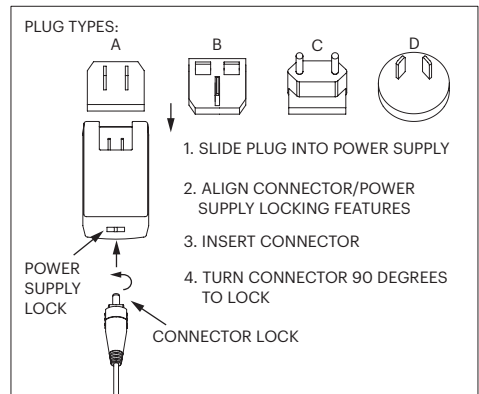
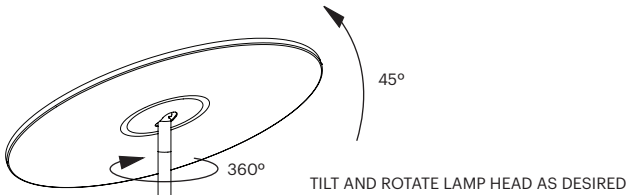
PEDESTAL FOR MOBILE DEVICES  
SOLD SEPARATELY (SEE PEDESTAL  
ASSEMBLY INSTRUCTIONS)



# Pablo®

## CIRCA FLOOR

### ADJUSTMENT



A. N AMERICA B. UK C. EU D. AU

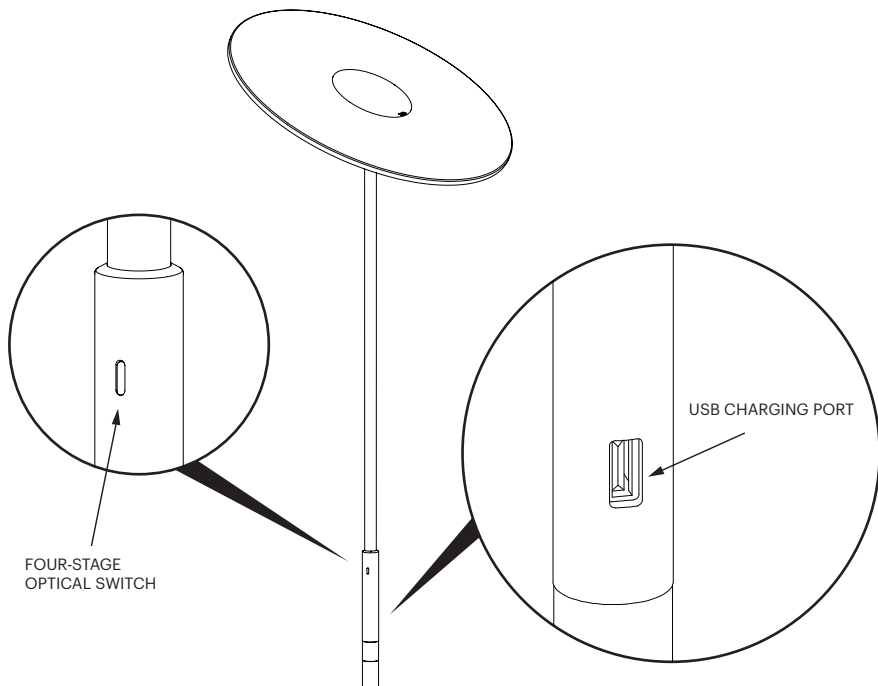
NOTE: CONTACT MANUFACTURER FOR ADDITIONAL PLUG TYPE REQUIREMENTS.



# Pablo®

# CIRCA FLOOR

## CIRCA FLOOR SWITCH AND USB CHARGING



### HIGHLIGHTS

SINGLE 5.0V USB OUTPUT SUPPORTS CHARGING FOR SMARTPHONES, TABLETS AND OTHER MOBILE DEVICES.

### SPECIFICATIONS

USB 2.0 OR 1.1 STANDARD CORD REQUIRED (CORD NOT INCLUDED)

OUTPUT VOLTAGE: 5VDC + - 5%

OUTPUT CURRENT: 1A MAX

### NOTE

CIRCA FLOOR WILL CONTINUE TO CHARGE YOUR MOBILE DEVICE EVEN WHEN LAMP IS IN THE "OFF" POSITION.

PLEASE REFER TO YOUR MOBILE DEVICE'S USER MANUAL FOR COMPATIBILITY AND CHARGING TIME. PLEASE REFRAIN FROM LEAVING YOUR DEVICE PLUGGED IN FOR LONGER THAN THE RECOMMENDED TIME, OTHERWISE IT MAY RESULT IN OVER CHARGING.

PRESS AND HOLD OPTICAL SWITCH FOR 1.5 SECONDS TO TURN OFF. TAP BRIEFLY TO CYCLE THROUGH FOUR STAGES.

### ACCESSORIES

OPTIONAL PEDESTAL FOR MOBILE DEVICES

### CARE INSTRUCTIONS

WIPE CLEAN WITH A SOFT DAMP CLOTH. AVOID AMMONIA-BASED CLEANERS.

Pablo®

# CIRCA PEDESTAL

## ASSEMBLY & INSTALLATION INSTRUCTIONS

INFO@PABLODESIGNS.COM  
888 MARIN STREET  
SAN FRANCISCO, CA  
94124

PABLODESIGNS.COM

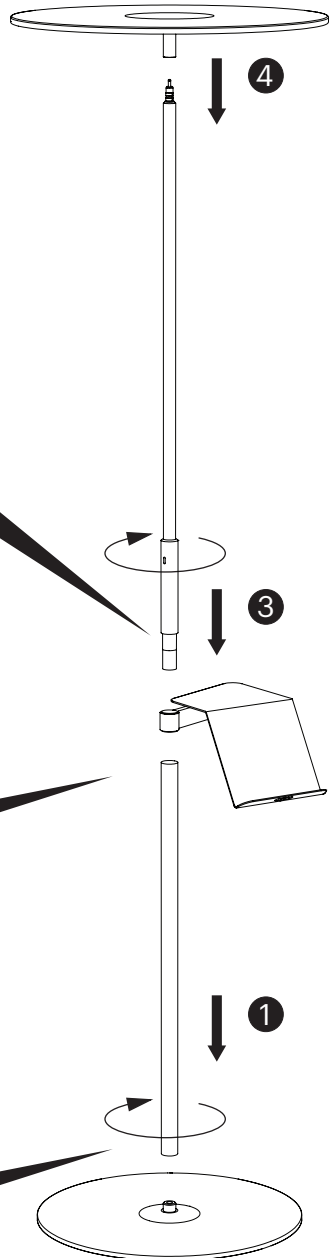
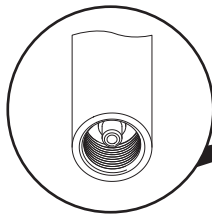
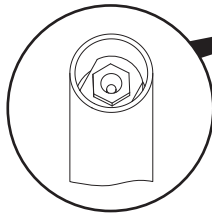
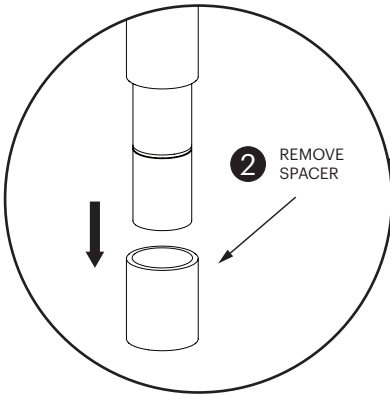


Pablo®

# CIRCA PEDESTAL

## ASSEMBLY

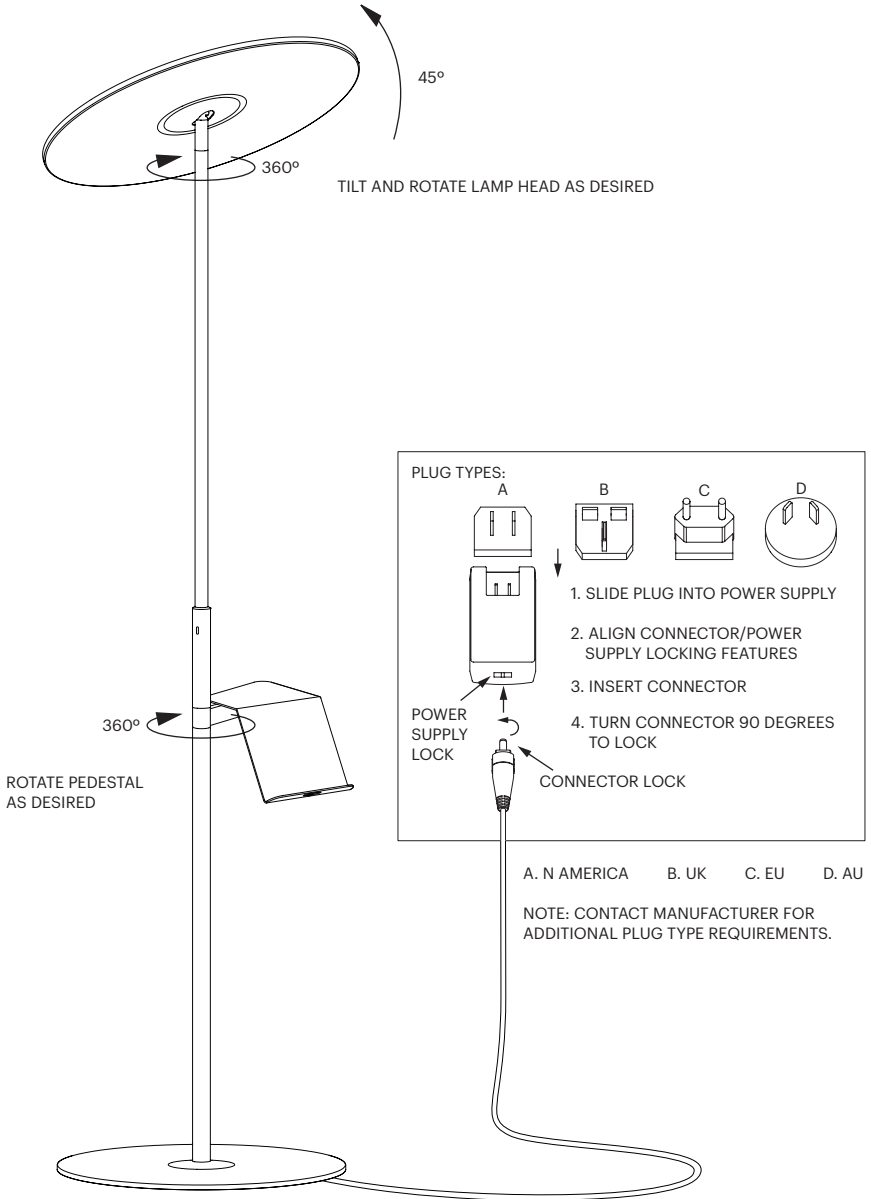
1. SCREW LOWER STEM INTO BASE AS SHOWN
2. REMOVE SPACER FROM UPPER STEM (PEDESTAL REPLACES SPACER)
3. POSITION PEDESTAL BETWEEN UPPER AND LOWER STEM, THEN SCREW TO TIGHTEN
4. "CLICK" LAMP HEAD INTO POSITION



# Pablo®

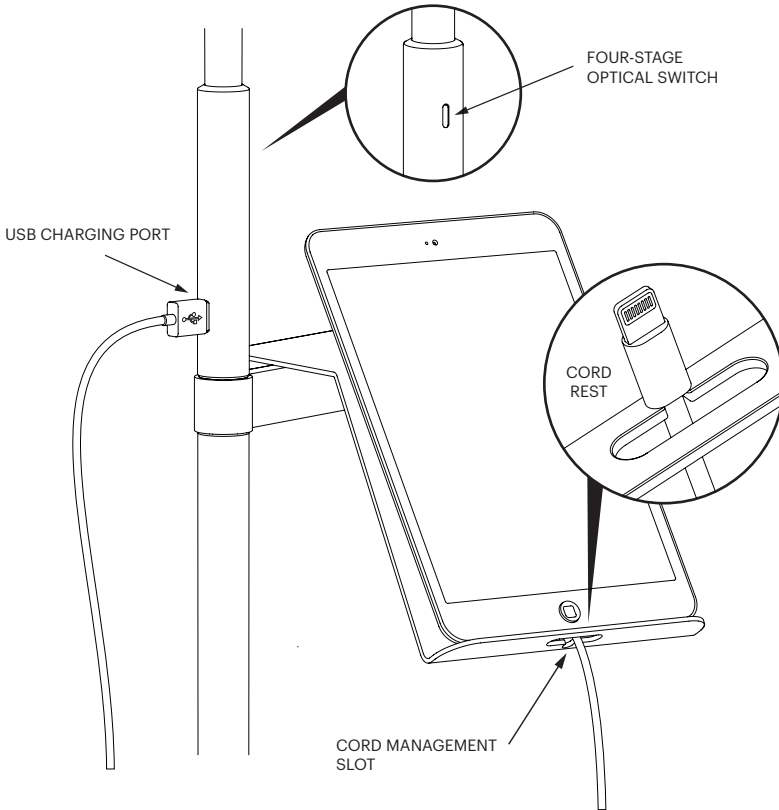
## CIRCA PEDESTAL

### ADJUSTMENT



# CIRCA PEDESTAL

## CIRCA FLOOR SWITCH AND USB CHARGING



### HIGHLIGHTS

SINGLE 5.0V USB OUTPUT SUPPORTS CHARGING FOR SMARTPHONES, TABLETS AND OTHER MOBILE DEVICES.

### SPECIFICATIONS

USB 2.0 OR 1.1 STANDARD CORD REQUIRED (CORD NOT INCLUDED)  
OUTPUT VOLTAGE: 5VDC + - 5%  
OUTPUT CURRENT: 1A MAX

### NOTE

CIRCA PEDESTAL WILL CONTINUE TO CHARGE YOUR MOBILE DEVICE EVEN WHEN LAMP IS IN THE "OFF" POSITION.

PLEASE REFER TO YOUR MOBILE DEVICE'S USER MANUAL FOR COMPATIBILITY AND CHARGING TIME. PLEASE REFRAIN FROM LEAVING YOUR DEVICE PLUGGED IN FOR LONGER THAN THE RECOMMENDED TIME, OTHERWISE IT MAY RESULT IN OVER CHARGING.

PRESS AND HOLD OPTICAL SWITCH FOR 1.5 SECONDS TO TURN OFF. TAP BRIEFLY TO CYCLE THROUGH FOUR STAGES.

### CARE INSTRUCTIONS

WIPE CLEAN WITH A SOFT DAMP CLOTH. AVOID AMMONIA-BASED CLEANERS.

Pablo®

# CIRCA WALL

## ASSEMBLY & INSTALLATION INSTRUCTIONS

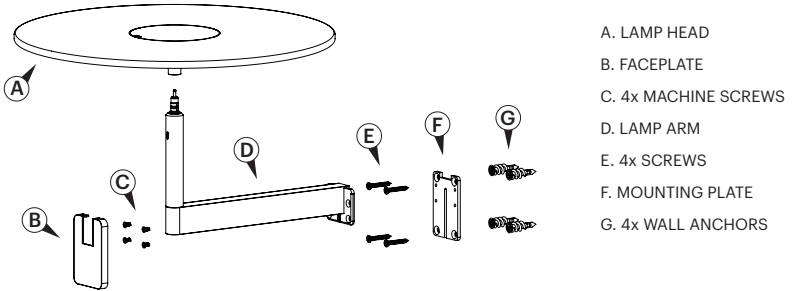
INFO@PABLODESIGNS.COM  
888 MARIN STREET  
SAN FRANCISCO, CA  
94124

PABLODESIGNS.COM



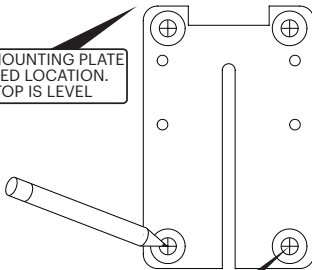
# CIRCA WALL

## PARTS LIST



- 1** USE THE MOUNTING PLATE AS A TEMPLATE FOR MARKING THE LOCATION OF THE WALL ANCHORS

PLACE THE MOUNTING PLATE IN THE DESIRED LOCATION. MAKE SURE TOP IS LEVEL



MARK THE CENTER OF ALL FOUR HOLES AS SHOWN

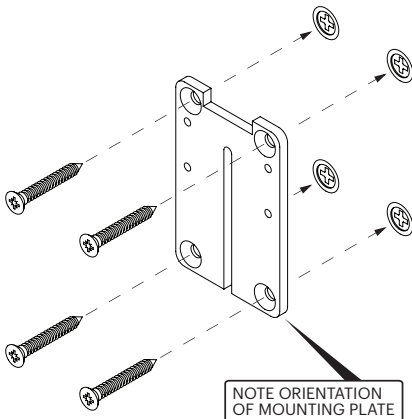
- 2** REMOVE THE PLATE FROM THE WALL AND INSTALL ALL FOUR WALL ANCHORS

TAP THE UNTHREADED TIP OF THE ANCHOR INTO THE WALL

USE A PHILLIPS SCREWDRIVER TO COMPLETE THE ANCHOR INSTALLATION

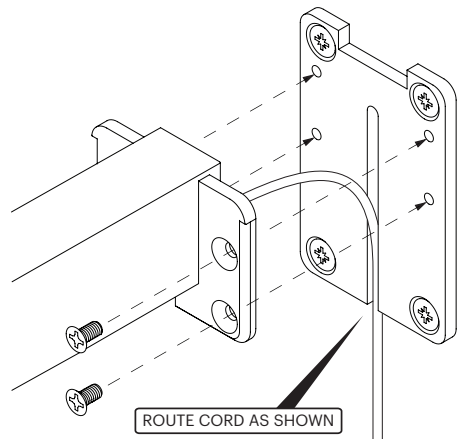
THIS SURFACE SHOULD BE FLUSH WITH THE WALL

- 3** SCREW THE MOUNTING PLATE TO THE ANCHORS WITH THE SCREWS PROVIDED



NOTE ORIENTATION OF MOUNTING PLATE

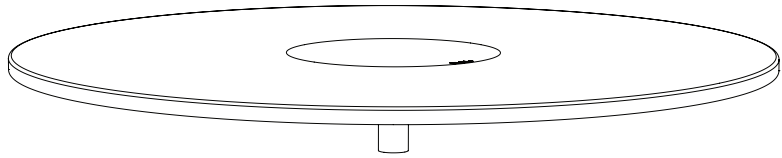
- 4** SCREW LAMP ARM TO THE MOUNTING PLACE WITH THE FOUR MACHINE SCREWS PROVIDED



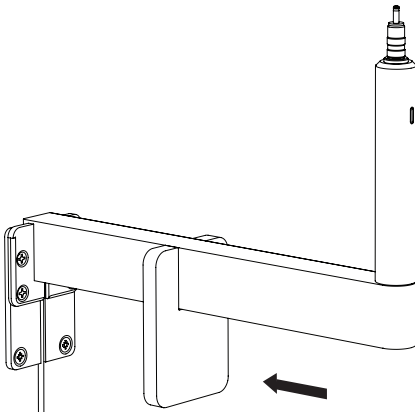
ROUTE CORD AS SHOWN

# CIRCA WALL

ASSEMBLY

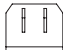
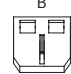
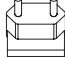
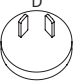


**6** "CLICK" LAMP HEAD INTO POSITION



**5** PRESS FACEPLATE ONTO WALL MOUNT UNTIL FLUSH WITH WALL

PLUG TYPES:

			
---	---	---	--

1. SLIDE PLUG INTO POWER SUPPLY

2. ALIGN CONNECTOR/POWER SUPPLY LOCKING FEATURES

3. INSERT CONNECTOR

4. TURN CONNECTOR 90 DEGREES TO LOCK

POWER SUPPLY LOCK

CONNECTOR LOCK

A. N AMERICA    B. UK    C. EU    D. AU

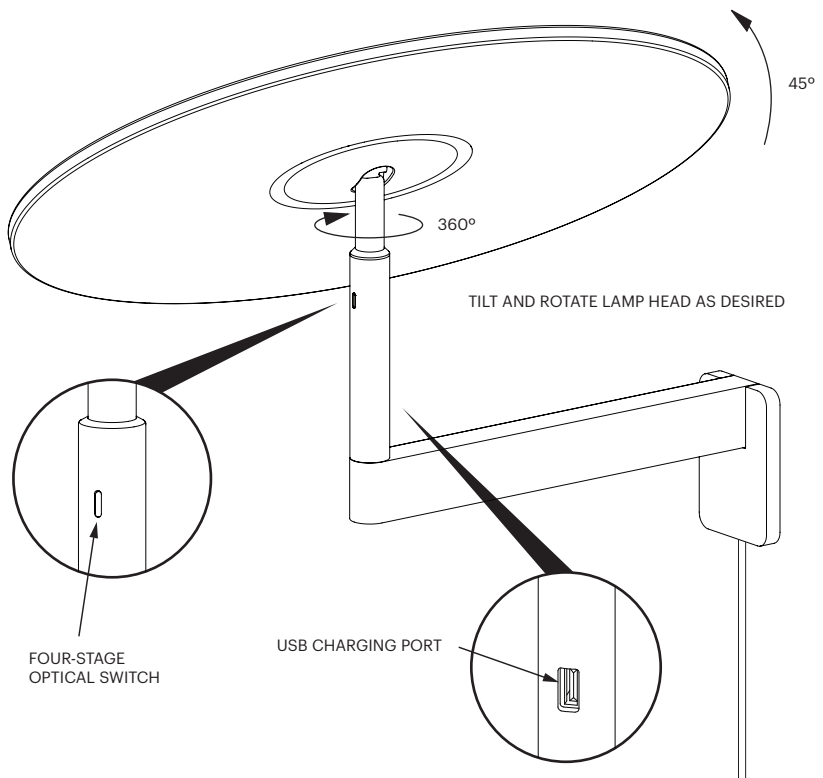
NOTE: CONTACT MANUFACTURER FOR ADDITIONAL PLUG TYPE REQUIREMENTS.



# Pablo®

## CIRCA WALL

### CIRCA WALL SWITCH AND USB CHARGING



#### HIGHLIGHTS

SINGLE 5.0V USB OUTPUT SUPPORTS CHARGING FOR SMARTPHONES, TABLETS AND OTHER MOBILE DEVICES.

#### SPECIFICATIONS

USB 2.0 OR 1.1 STANDARD CORD REQUIRED (CORD NOT INCLUDED)  
OUTPUT VOLTAGE: 5VDC + - 5%  
OUTPUT CURRENT: 1A MAX

#### NOTE

CIRCA WALL WILL CONTINUE TO CHARGE YOUR MOBILE DEVICE EVEN WHEN LAMP IS IN THE "OFF" POSITION.

PLEASE REFER TO YOUR MOBILE DEVICE'S USER MANUAL FOR COMPATIBILITY AND CHARGING TIME. PLEASE REFRAIN FROM LEAVING YOUR DEVICE PLUGGED IN FOR LONGER THAN THE RECOMMENDED TIME, OTHERWISE IT MAY RESULT IN OVER CHARGING.

PRESS AND HOLD OPTICAL SWITCH FOR 1.5 SECONDS TO TURN OFF. TAP BRIEFLY TO CYCLE THROUGH FOUR STAGES.

#### CARE INSTRUCTIONS

WIPE CLEAN WITH A SOFT DAMP CLOTH. AVOID AMMONIA-BASED CLEANERS.

Pablo®

# CIRCA PENDANT

**120V / 220V ASSEMBLY & INSTALLATION INSTRUCTIONS**

INFO@PABLODESIGNS.COM  
888 MARIN STREET  
SAN FRANCISCO, CA  
94124

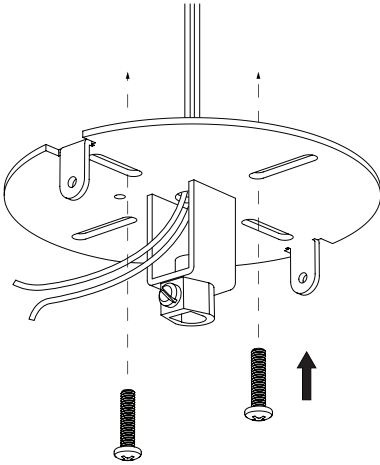
PABLODESIGNS.COM



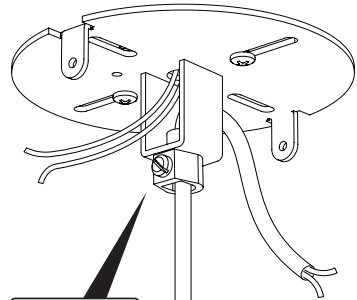
# CIRCA PENDANT

**IMPORTANT: WE RECOMMEND FIXTURE BE INSTALLED BY AN ELECTRICIAN**

- 1** ROUTE BUILDING WIRING THROUGH MOUNTING PLATE, THEN ATTACH PLATE TO JUNCTION BOX



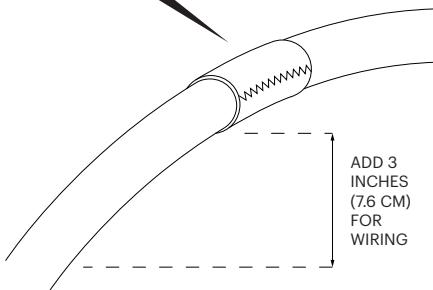
- 3** ROUTE FIXTURE AND BUILDING CORDS AS SHOWN, THEN PULL CIRCA PENDANT TO DESIRED HEIGHT AND SET STRAIN RELIEF



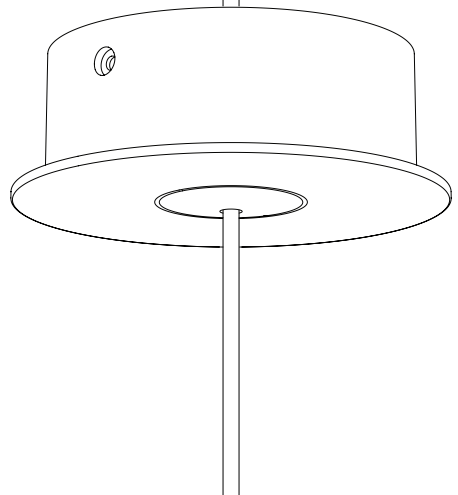
USE FLAT HEAD SCREWDRIVER TO SET STRAIN RELIEF

- 2** CUT FIXTURE CORD TO DESIRED LENGTH, ADDING AN ADDITIONAL 3 INCHES (7.6 CM) FOR WIRING

BEFORE CUTTING, WRAP CORD WITH ELECTRICAL TAPE TO PREVENT THE FABRIC SLEEVE FROM FRAYING



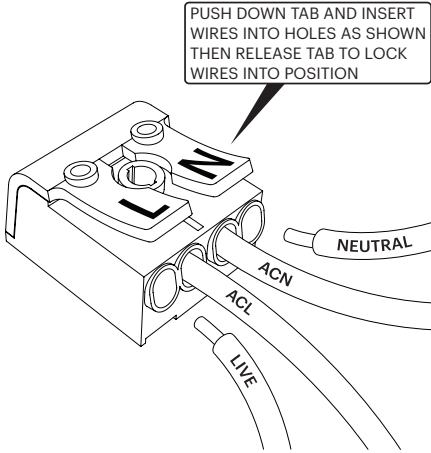
ADD 3 INCHES (7.6 CM) FOR WIRING



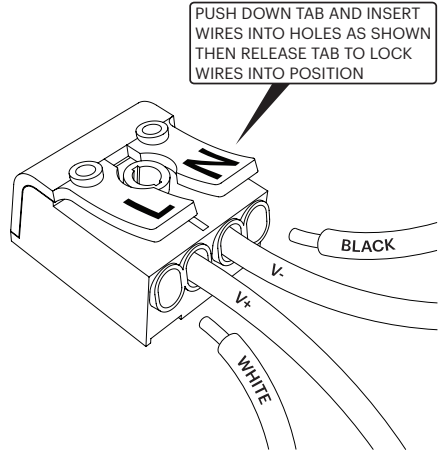
NOTE: IF JUNCTION BOX IS NOT LOCATED IN THE DESIRED POSITION FOR CIRCA PENDANT, SEE BACK PAGE FOR SWAG MOUNT INSTALLATION

# CIRCA PENDANT

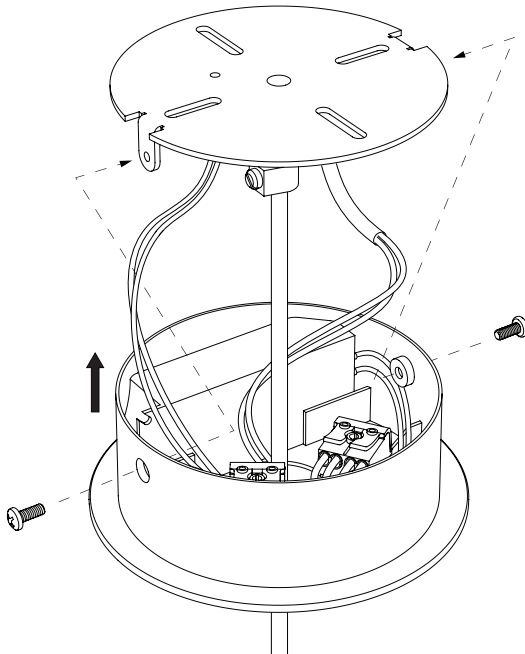
- 4** CONNECT BUILDING WIRING INTO 2 POLE CONNECTOR AS SHOWN. REFER TO SPECIFICATION LABEL ON TRANSFORMER



- 5** CONNECT FIXTURE WIRING INTO OTHER 2 POLE CONNECTOR AS SHOWN. REFER TO SPECIFICATION LABEL ON TRANSFORMER



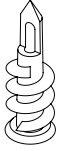
- 6** TUCK WIRES AND POLE CONNECTIONS INTO CANOPY COVER, THEN SLIDE COVER PLATE UP TO CEILING AND SECURE WITH SUPPLIED SCREWS



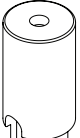
# CIRCA PENDANT

## SWAG MOUNT INSTALLATION

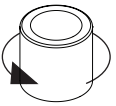
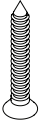
IF JUNCTION BOX IS NOT LOCATED IN DESIRED POSITION OF LIGHT, FOLLOW THESE ADDITIONAL STEPS:



- 1 POSITION ANCHOR OVER DESIRED PENDANT LOCATION ON CEILING. TAP ANCHOR INTO THE CEILING, THEN USE A PHILLIPS SCREWDRIVER TO COMPLETE INSTALLATION



- 2 HOLD SWAG MOUNT BODY FLUSH TO ANCHOR AND FASTEN TO ANCHOR USING PROVIDED SCREW



- 3 HOLD CORD SO THAT PENDANT IS AT DESIRED HEIGHT AND SCREW ON SWAG MOUNT CAP TO SECURE CORD

**BULB TYPE**  
LED FLAT PANEL

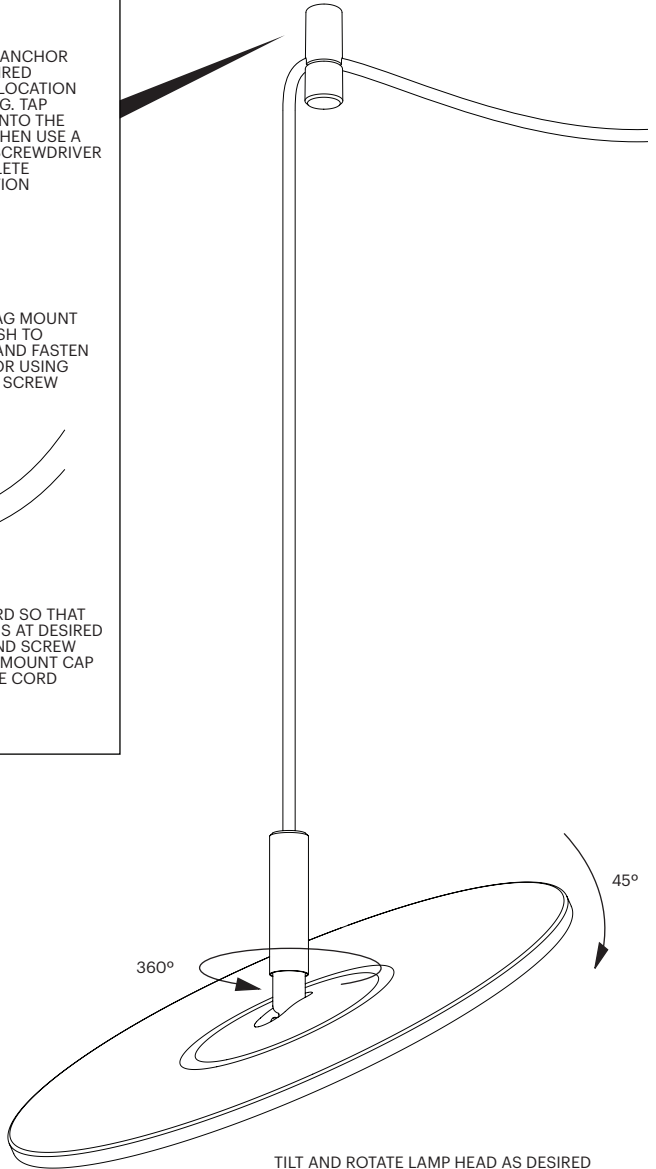
**BULB REPLACEMENT**  
CONTACT MANUFACTURER FOR BULB REPLACEMENT

**CORD LENGTH**  
10FT (305CM)

**ELECTRONIC**  
LOW VOLTAGE DIMMER  
RECOMMENDED

**CARE INSTRUCTIONS**  
WIPE CLEAN WITH A SOFT  
DAMP CLOTH. AVOID  
AMMONIA-BASED  
CLEANERS.

## ADJUSTMENT



TILT AND ROTATE LAMP HEAD AS DESIRED