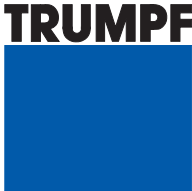
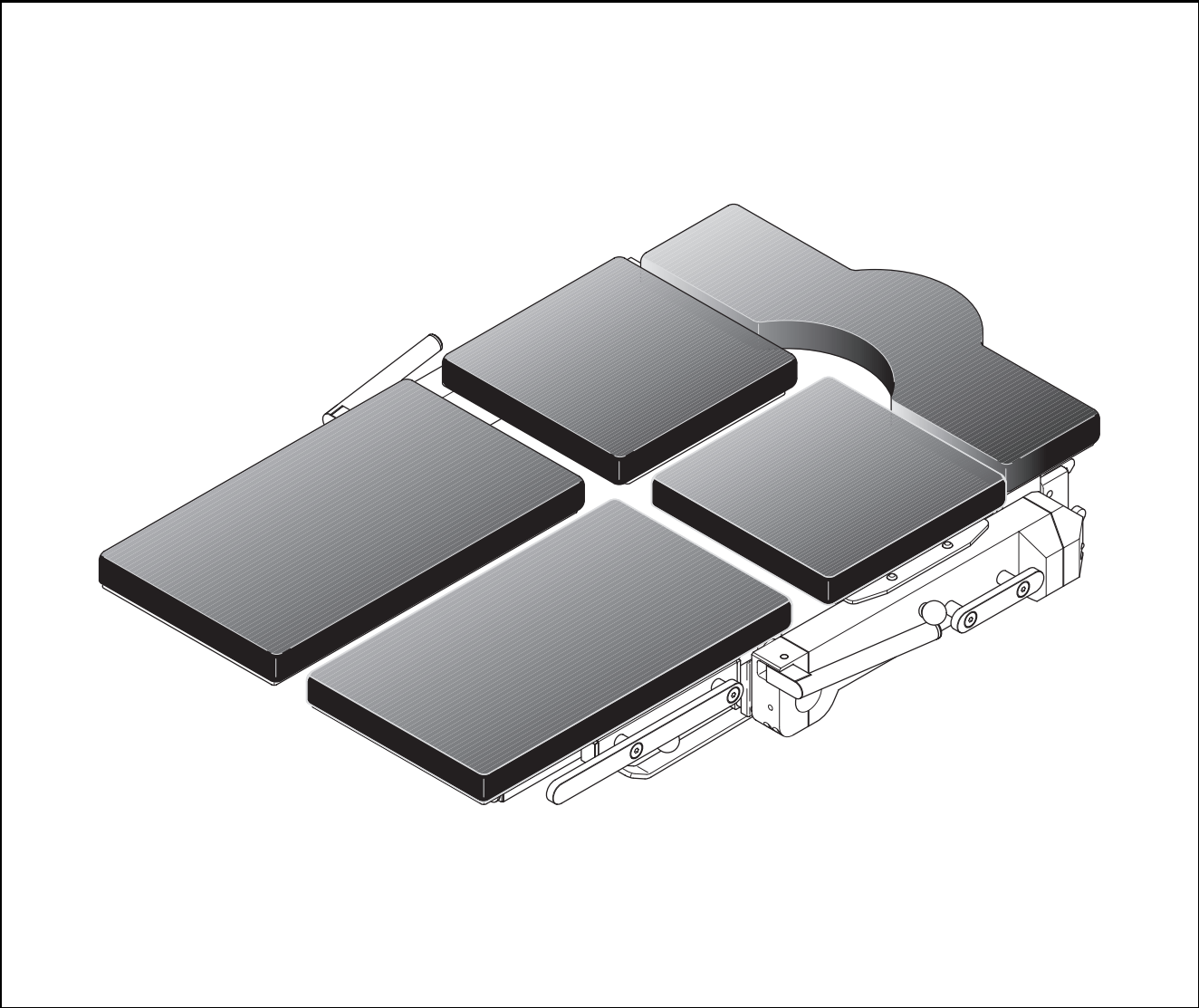


LegMaster

User Manual



This product corresponds to design class 1 within the meaning of the European Medical Device Directive (MDD) 93/42/EEC, July 1993, Appendix 9, and the German Medizin Produkte Gesetz (MPG) (Law on Medical Products), August 1994, Appendix 9.

The manufacturer declares that this product conforms to the essential requirements of the MPG, Appendix 7, and this is documented by the CE sign.



TRUMPF Medizin Systeme GmbH
Postfach 1263
D-07303 Saalfeld, Germany

TRUMPF Medizin Systeme GmbH
Carl-Zeiss-Straße 5
D-07318 Saalfeld, Germany

**Sales and
Distribution**

Telephone +49 3671 5 86-0
Telefax +49 3671 58 61 65

Service

Telephone +49 3671 58 61 72
+49 3671 58 61 76
Telefax +49 3671 58 61 75

We are constantly working on further developments.

Therefore, please understand that we must reserve the right to change the scope of the delivery in respect of the form, equipment and technology at any time.

Reprinting, copying or translating this document, in whole or in part, is forbidden without the express written permission of TRUMPF Medizin Systeme GmbH!

All rights under the copyright laws are expressly reserved by TRUMPF Medizin Systeme GmbH.

Within the bounds of the legal requirements, the manufacturer is only then responsible for the technical safety characteristics of this apparatus if the maintenance, repairs and modifications to this apparatus are performed by him or by someone appointed by him and in accordance with his instructions.



ATTENTION!
This User Manual apply to the following sales units:

LegMaster	4 544 526
Intermediate pad for LegMaster	4 544 547
Goepel leg-holder for LegMaster	4 544 473

Contents

1	Important Information	
1.1	Proper Use of the Equipment	3
1.2	Explanation of Symbols	4
1.3	Safety Instructions	5
	General	5
	Changing position	5
	Environmental Protection	6
	Protection against Infection	6
1.4	Glossary	6
	Textual representation	6
	Terms	6
2	LegMaster, 4 544 526	
	Components	7
	Radiolucence	8
	Loading capacity	8
	Coupling point	8
2.1	Coupling and Uncoupling	9
	Coupling	9
	Uncoupling	9
2.2	Goepel Leg-holder, 4 544 473	10
	Components	10
	Assembly	10
2.3	Attaching/Removing pads	11
	Intermediate pad	11
	Upper leg section	11
	Lower leg section/Goepel leg holder	11
2.4	Adjusting the LegMaster	12
	Raise/Lower/Abduct	12
	Angling the carrying arm	12
3	Care, Cleaning and Disinfection	
	Care	13
	Cleaning	13
	Disinfection	13
4	Service and Repair work	14
5	Scrap Disposal	
	Metals	14
	Plastics	14
6	Overview: LegMaster, 4 544 526	15



1 Important Information

Products of the TRUMPF Medizin Systeme GmbH are manufactured to give a long and trouble-free service life. Development, design and production by TRUMPF Medizin Systeme GmbH have been certified in accordance with DIN ISO 9001.

This guarantees:

- highest quality and a long service life,
- easy operation,
- functional design and
- optimisation for the intended purpose.

The products of the TRUMPF Medizin Systeme GmbH fulfil the requirements of the Medizinproduktegesetz MPG (Law on Medical Products) and bears the CE sign.

Please read this user manual carefully from the beginning, in order to familiarise yourself step-by-step with the many and varied functions.

Reference is made to any residual dangers in the appropriate sections.

1.1 Proper Use of the Equipment

The JUPITER, MARS and SATURN Select/Select L operating tables are intended for the following purpose in conjunction with this operating table component:

- Holding patients during the operation:
 - induction of anaesthesia
 - operation
 - recovery from anaesthesia
- Transporting the patient on the tabletop (without column):
 - from a patient transfer unit to the operating theatre
 - from the operating theatre to the patient transfer system.
- The operating tabletops must be covered with sterile material before use!
- Accessory devices for use with or on tabletops or accessories may only be used for the intended purpose described in this user manual.

Intended use of the includes following the instructions in this user manual. Any other use is regarded as incorrect usage!

The supplier/manufacturer is not liable for damage to property or injury to persons resulting from incorrect operation of the table or putting it to an improper use.

1.2 Explanation of Symbols

Important information in this user manual is marked with symbols and keywords.

Keywords such as **WARNING**, **CAUTION** or **ATTENTION** indicate the level of danger involved. The symbols emphasise the message visually. Additional symbols can indicate injury hazards or danger to life and limb.

The measures to prevent dangers arising must be implemented without fail!



WARNING!

Danger to life and limb

(for example electric shock)!

Risk of serious injuries and damage to property.



CAUTION!

Risk of injury and damage to property.



ATTENTION!

Risk of damage to property.



NOTE!

Useful additional information and tips.



1.3 Safety Instructions

General



Please observe the following instructions:

- Keep a log book for medical apparatus!
All services, inspections and repairs are to be documented in this book.
- Within the bounds of the legal requirements, the manufacturer is only then responsible for the technical safety characteristics if the maintenance, repairs and modifications are performed by him or by someone appointed by him and in accordance with his instructions and training.
- TRUMPF Medizin Systeme GmbH is not liable for damage of any kind arising from the failure to perform inspections or through inadequate repairs, modifications or maintenance.
- The edges of the pads are flush when the operating table components have been attached properly.
- The pads do not provide adequate protection against decubitis during lengthy operations! Use additional gel mats.
- The patient must be actively supported when the position is adjusted. Released elements may move autonomously. Check that fixing screws are seated properly.
- Accessories with removable pads must not be carried by the pads.

Changing position



- Every change of position must be performed in a controlled and responsible manner.
- Pay close attention to all electrically assisted functions and movements in order to exclude the possibility of
 - a risk to the patient arising or
 - damage occurring to the equipment or to the furnishings.
- Only approach zero position or handover position if there is no risk of collision. Watch the approach to the zero position or the handover/takeover position carefully until the end position has been reached.
- Take particular care when lowering the operating table in order to avoid the risk of damage to any operating equipment located under the tabletop!
In addition, beware of the risk of injuries to persons.

Important Information

Electricity



- The electrically conductive properties of the LegMaster comply with the legal requirements if the pads supplied are used and properly secured.
- Please perform the recommended care and cleaning of the pads in order to maintain their electrically conductive properties as per DIN EN 60601/1.

Environmental Protection



- Dispose of all left over cleaning and disinfection materials and any residues thereof in a safe manner which does not harm the environment!
- Ensure that this document is disposed of in a way which does not harm the environment.

Protection against Infection



- Comply with all the stipulations concerning cleaning/ disinfection and sterilisation. Follow the instructions in this manual concerning cleaning, disinfection and sterilisation procedures and the substances to be used therefor.
- The operating tabletops and the patient positioning equipment must be covered with sterile material before use!
- Devices and fitments must be cleaned and disinfected before being handed over to service technicians for maintenance and repair work.
- Pads which no longer fulfil the requirements concerning hygiene and protection against infection must be replaced.

1.4 Glossary

The following terms and abbreviations are used in this user manual:

Textual representation

Number in brackets [50] Number code for illustrations (Referencing text to graphics)

Terms

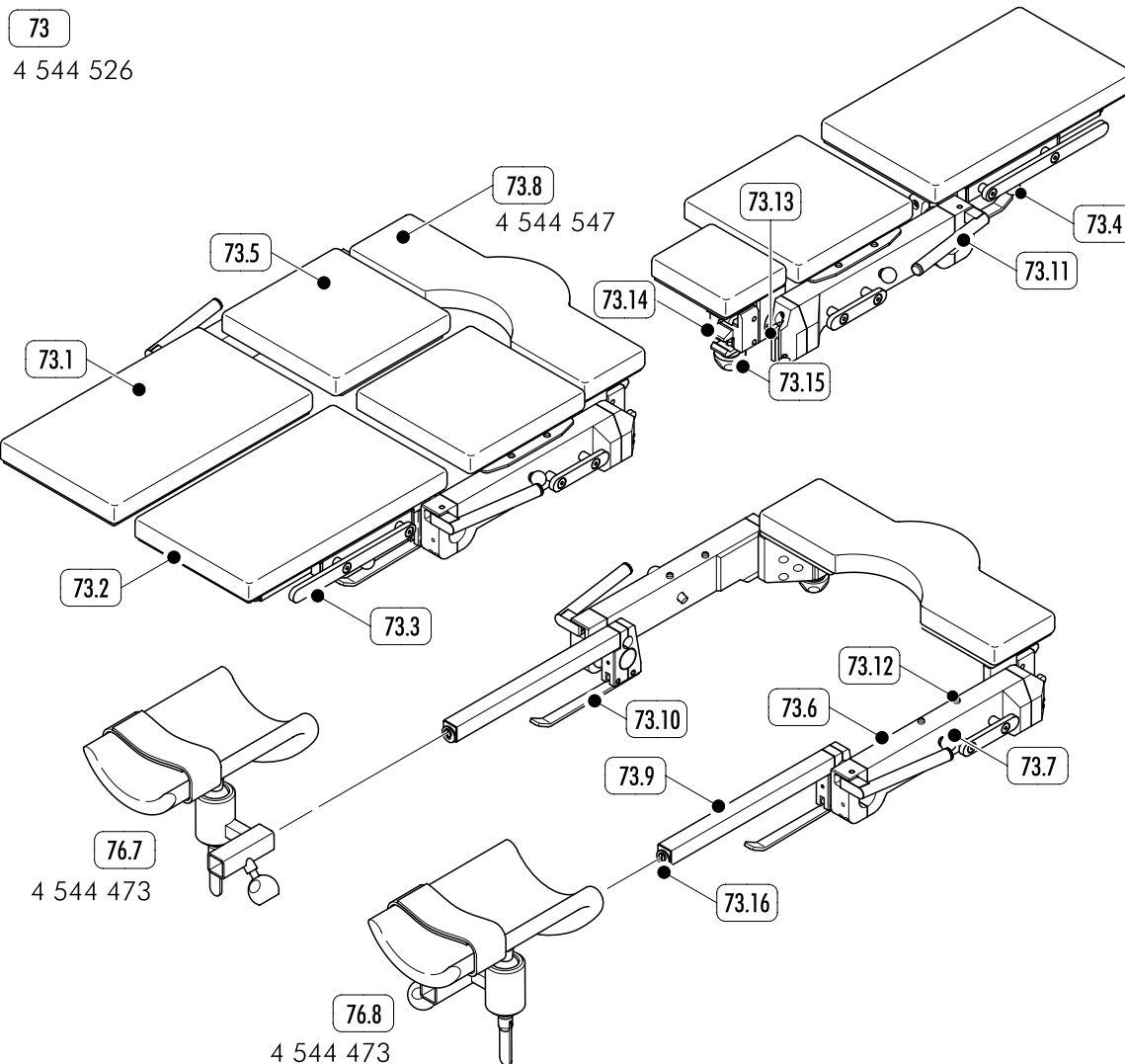
Operating Table	Tabletop with additional sections (leg, back and head sections ect.)
Operating Table Top	seat section without other fitments
Fitments	leg, back, head section, adapters, section extensions ect. Components
Standard rail	Fixing rails for accessories/fitments
Coupling point	Separable joints between the fitments



2 LegMaster, 4 544 526

Components

The LegMaster [73] consists of the following components:



- [73.1] Lower leg section, right-hand
- [73.2] Lower leg section, left-hand
- [73.3] Standard rail, lower leg section
- [73.4] Locking mechanism, lower leg section
- [73.5] Upper leg section
- [73.6] Main arm with standard rail
- [73.7] Locking mechanism, upper leg section
- [73.8] Intermediate pad, 4 544 547
- [73.9] Carrying arm for holding the lower leg section or the Goepel leg-holder
- [73.10] Lower leg section adjustment (cam handle)
- [73.11] LegMaster adjustment (locking lever)
- [73.12] Holder for upper leg section (mushroom type locking studs)
- [73.13] Lever for safety lock
- [73.14] Coupling point, upper leg section
- [73.15] Locking handle
- [76.7] Goepel leg-holder, right-hand 4 544 473
- [76.8] Goepel leg-holder, left-hand 4 544 473

Function

The LegMaster is a four-part leg section with lifting and abduction mechanism.

It is used on the JUPITER, MARS and SATURN Select/Select L operating tables.

The LegMaster may only be attached to the coupling points stated in these Instructions for Use.



CAUTION!

Danger to the patient!

Patients may only be transported on the LegMaster in a horizontal position (safety lock) with the locking lever under tension.

Radiolucence

Only in the pad area outside the metal spars.

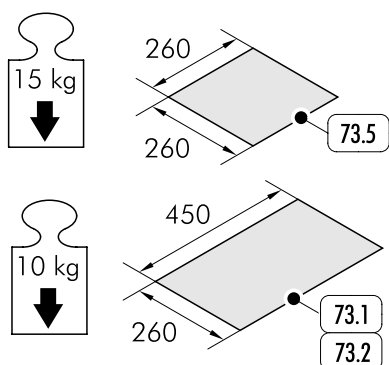
Loading capacity



CAUTION!

Danger to the patient!

The stated loading capacity of the section segments must not be exceeded!



The values stated apply to an evenly distributed load (area load) including accessories, without longitudinal displacement of the lower leg section [73.1/73.2].

Upper leg section: 15 kg per side (= patient weight of 135 kg)

Lower leg section: 10 kg per side

Goepel leg-holder: 10 kg per side

Standard bar: 30 Nm



CAUTION!

Danger to the patient!

Do not let the patient climb onto the LegMaster in order to get into the rectal position (risk of overload). Positioning may only take place from the prone position.

Coupling point

Upper leg section: double clamp, wide

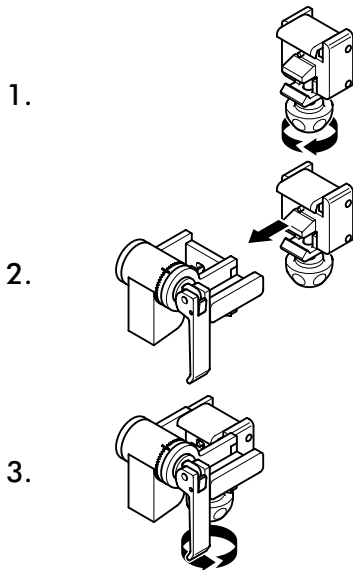


2.1 Coupling and Uncoupling

Coupling



CAUTION!
Tighten hand-tight
Test the connection before use.

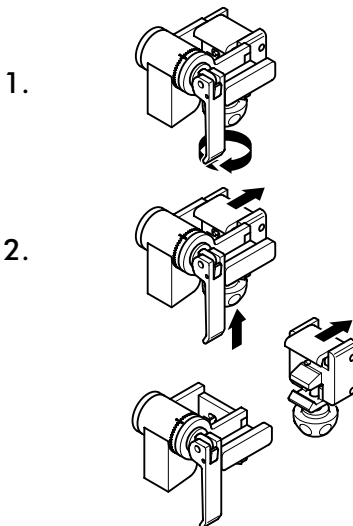


1. Turn the locking handle to the left stop position.
2. Press the coupling points of both fitments together until the coupling point slots in.
3. Tighten the locking handle until there is no more play in the coupling point.

Uncoupling



CAUTION!
Hold the part being uncoupled securely before pulling it out. Because of the heavy weights involved, never uncouple more than one fitment at a time.

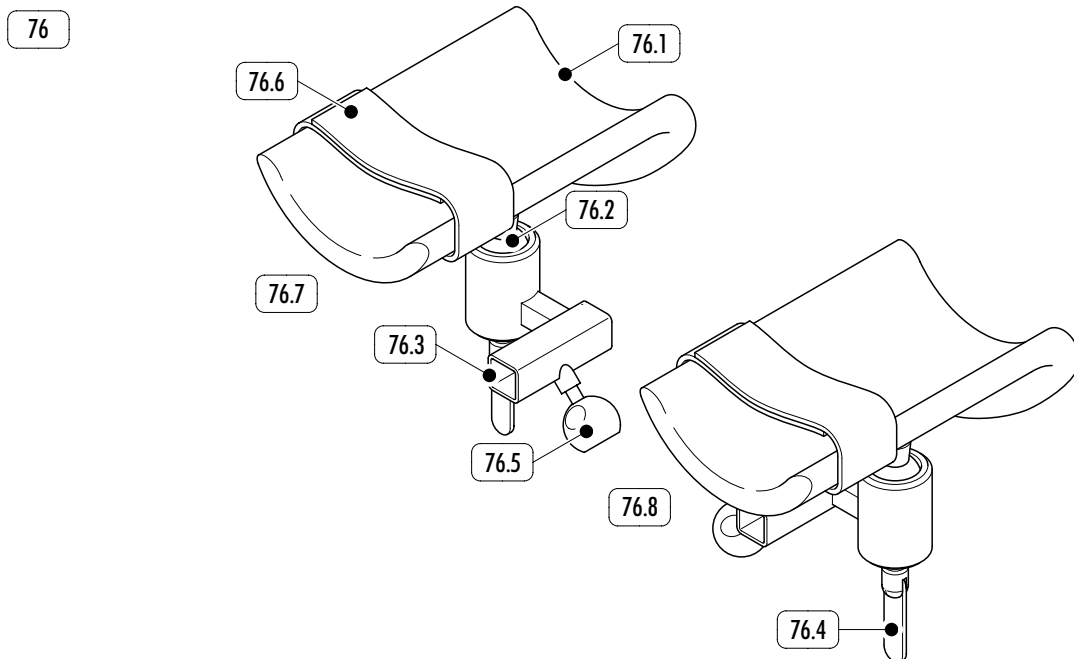


1. Turn the locking handle to the left stop position.
2. Press the locking handles upwards and, at the same time, lift the fitment slightly and pull it out.

2.2 Goepel Leg-holder, 4 544 473

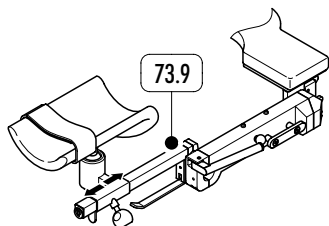
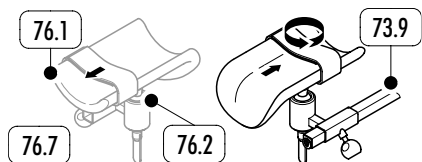
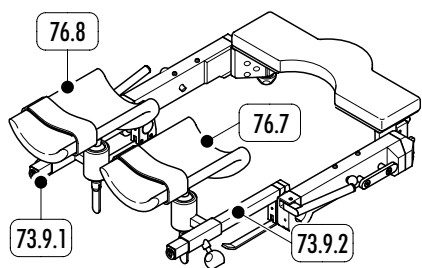
Components

The Goepel leg-holder consists of the following components:



- [76.1] Pad
- [76.2] Ball joint (can be turned, inclined through 180°)
- [76.3] LegMaster socket
- [76.4] Tension lever, ball joint
- [76.5] Ball-grip screw
- [76.6] Velcro strip
- [76.7] Goepel leg-holder, left-hand
- [76.8] Goepel leg-holder, right-hand

Assembly



The distance between the Goepel leg-holders and that between the Goepel leg-holder and seat section can be adjusted as follows:

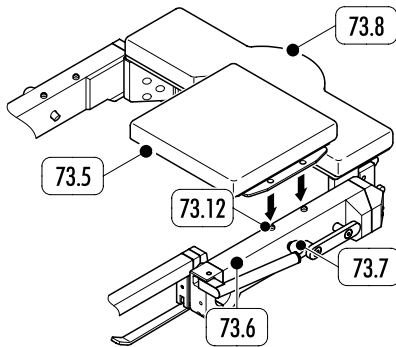
- Put the Goepel leg-holders on the opposite sides [76] (right Goepel leg-holder [76.7/76.8] on the left carrying arm and vice versa [73.9.2/73.9.1]).
- Turn the Goepel leg-holder [76] on the carrying arm [73.9]
 1. The Goepel leg-holder is turned through 180° and slid onto the carrying arm.
 2. Turn the pad [76.1] in the ball joint [76.2] the right way round.
- Longitudinal displacement of the Goepel leg-holder [76] on the carrying arm [73.9]

2.3 Attaching/Removing pads

Intermediate pad

The intermediate pad, 4 544 547, [73.8] is secured with a Velcro strip.

Upper leg section



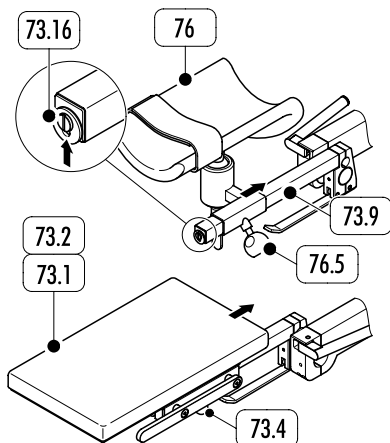
Attaching

1. Put the upper leg section [73.5] onto the mushroom type locking studs [73.12].
2. Press the leg section onto the main arm [73.6] until it audibly slots in.

Removing

1. Pull the ball-headed pin [73.7] out of the main arm [73.6] and hold it.
2. Remove the leg section [73.5] either in an upward direction or downwards between the main arms [73.6].

Lower leg section/ Goepel leg holder



Attaching

1. Turn the ball-headed pin [73.4]/ball-grip screw [76.5] to the left.
2. Press the holding catch [73.16] upwards and slide the lower leg section [73.1/73.2]/Goepel leg holder [76] onto the carrying arm [73.9].
3. Turn the ball-headed pin [73.4]/ball-grip screw [76.5] to the right until the lower leg section [73.1/73.2]/Goepel leg holder [76] is fixated.



CAUTION!

Before use, check that the lower leg section/Goepel leg holder is securely fitted to the carrying arm.

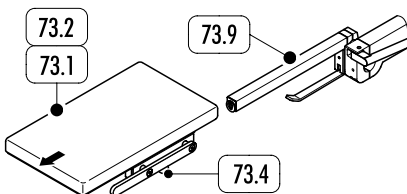
Removing



CAUTION!

Heavy weight!

Hold the part being removed securely before pulling it out!



1. Loosen the ball-headed pin [73.4] by turning it to the left.
2. Press the holding catch [73.16] upwards and slide the lower leg section [73.1/73.2]/Goepel leg holder [76] off the carrying arm [73.9].
3. Put the lower leg section/Goepel leg holder down in a safe place.

2.4 Adjusting the LegMaster



CAUTION!

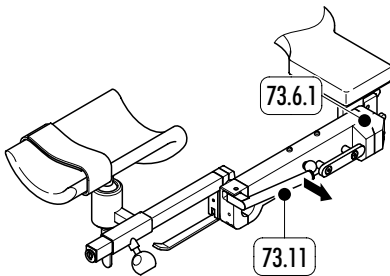
Only loosen the operating elements in order to make adjustments, tighten them immediately afterwards.



ATTENTION!

When operating the operating table with the LegMaster, collisions may occur when adjusting the operating table components and the LegMaster. Watch the course of the adjustment carefully.

Raise/Lower/
Abduct



ATTENTION!

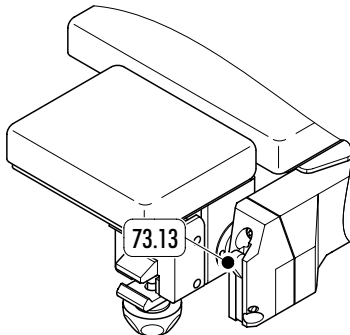
Remove the upper leg sections [73.5], before swinging upwards. Support the main arm with the hand before opening the locking lever and swivelling the arm.

1. Pull the locking lever [73.11] outwards.
2. Set the LegMaster (upper joint [73.6.1] has a ball bearing and can also be swung horizontally).



NOTE!

When the leg sections are lowered, they lock into a horizontal position for safety purposes. This can be bypassed by pulling out the lever [73.13].



3. Bring the locking lever [73.11] into a clamping position.

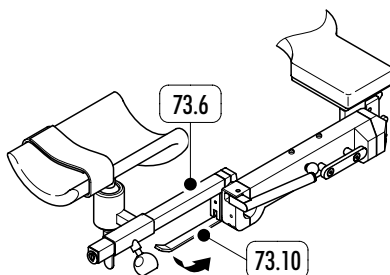
Angling the
carrying arm

The carrying arm [73.6] can optionally hold the lower leg section [73.1/73.2] or the Goepel leg-holder [76], and be angled up or down.



CAUTION!

Hold the carrying arm [73.6] before loosening the cam lever [73.10]. The leg section [73.1/73.2]/the Goepel leg-holder [76] must be supported during the adjustment.



1. Pull the cam handle [73.10] downwards.
2. Bring the carrying arm [73.6] with the leg section/Goepel leg-holder into the desired angled position.
3. Bring the cam lever [73.10] into a clamping position.

3 Care, Cleaning and Disinfection

**CAUTION!**

Remove the power plug before starting all care, cleaning or disinfecting work!
Ensure that no motorised movements can take place.

**ATTENTION!**

Do not use cleansers or disinfectants that are:

- abrasive,
- erosive,
- contain halogens and
- peracetic acid.

Care	The care of the fitments is limited to regular cleaning/disinfection with suitable substances.
Cleaning	The following cleansers are permitted: <ul style="list-style-type: none">• Stainless steel or aluminium parts<ul style="list-style-type: none">- all commercially available stainless steel cleansers.• Plastic parts<ul style="list-style-type: none">- all-purpose cleansers on a weak alkaline base (active cleaning ingredients: tensides and phosphates).• Pads<ul style="list-style-type: none">- all-purpose cleansers on a weak alkaline base (active cleaning ingredients: tensides and phosphates).
Disinfection	All commercially available substances conforming with the requirements of the hygiene regulations in the hospital.

4 Service and Repair work

For service work and repairs, please contact:

TRUMPF Medizin Systeme GmbH Service

Telephone +49 3671 58 61 72

+49 3671 58 61 76

Fax +49 3671 58 61 75

Recommended maintenance interval: 1 year

We only permit our products to be maintained and serviced by trained service personnel.

Using service experts of TRUMPF Medizin Systeme GmbH will ensure that our products will give you many years of consistent, reliable service.

We recommend that you take out a service contract with TRUMPF Medizin Systeme GmbH.

5 Scrap Disposal

Components must always be disposed of in a way that protects the environment, i.e. it must be done in accordance with the currently valid legal regulations.

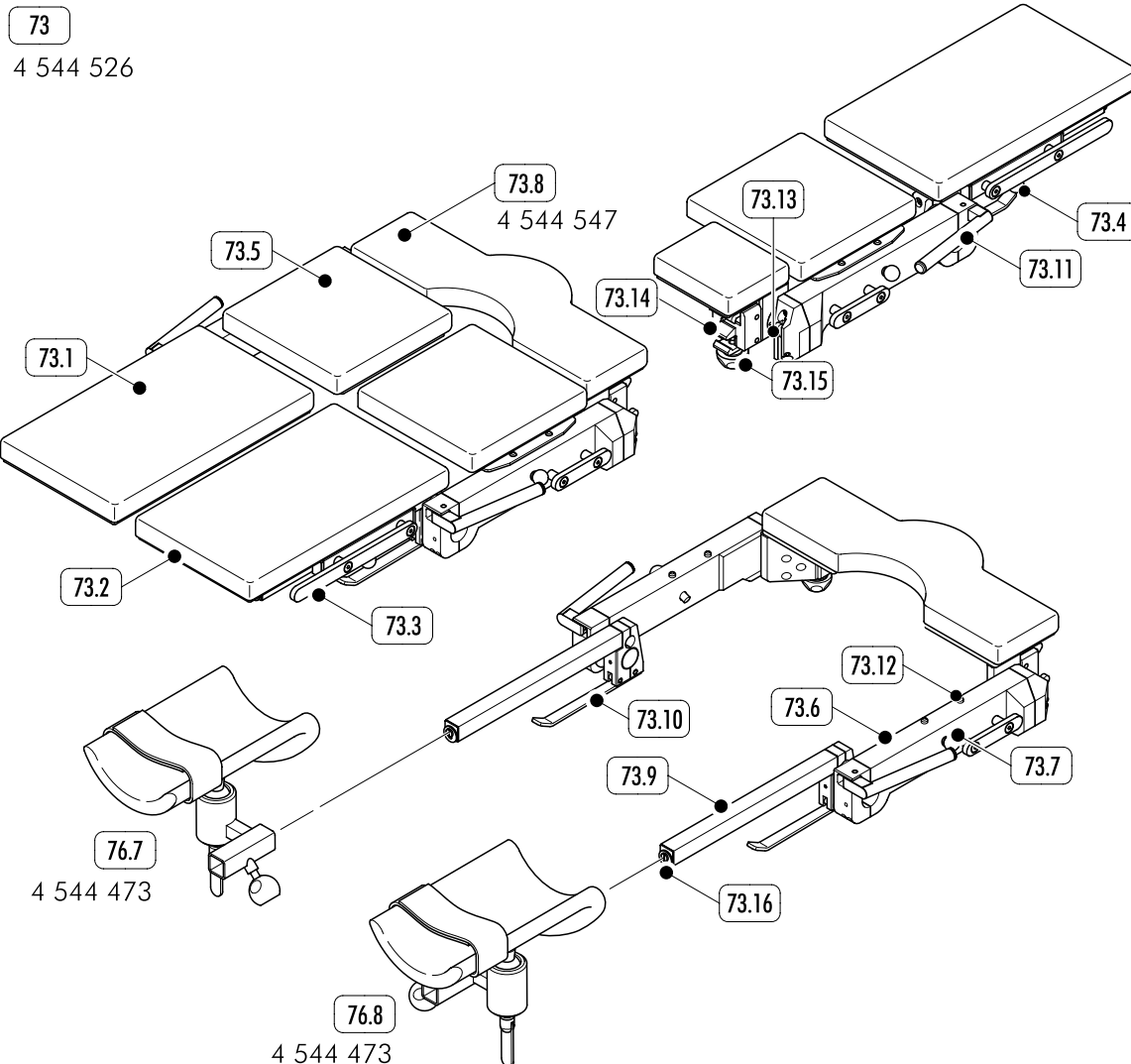
Metals

Dispose of as scrap metal, sorted according to type.

Plastics

Dispose of through a plastic recycling scheme.

6 Overview: LegMaster, 4 544 526



- [73.1] Lower leg section, right-hand
- [73.2] Lower leg section, left-hand
- [73.3] Standard rail, lower leg section
- [73.4] Locking mechanism, lower leg section
- [73.5] Upper leg section
- [73.6] Main arm with standard rail
- [73.7] Locking mechanism, upper leg section
- [73.8] Intermediate pad, 4 544 547
- [73.9] Carrying arm for holding the lower leg section or the Goepel leg-holder
- [73.10] Lower leg section adjustment (cam handle)
- [73.11] LegMaster adjustment (locking lever)
- [73.12] Holder for upper leg section (mushroom type locking studs)
- [73.13] Lever for safety lock
- [73.14] Coupling point, upper leg section
- [73.15] Locking handle
- [76.7] Goepel leg-holder, right-hand 4 544 473
- [76.8] Goepel leg-holder, left-hand 4 544 473

TRUMPF



TRUMPF Medizin Systeme GmbH
Postfach 1263
D-07303 Saalfeld, Germany
Telephone: +49 3671 586-0
Telefax: +49 3671 58 61 65

e-mail: info@de.trumpf-med.com
www.trumpf-med.com