

# PJ-TX10

## Technical Specifications

### OPTICAL

LCD Panel	0.55" P-Si TFT with MLA x 3
Resolution	854 dots x 480 lines
Lens	F1.6-2.9 (f=14.2-28.4mm), Manual Zoom x2
Lamp	130W UHB
Brightness	700 ANSI Lumens/560 ANSI Lumens (Whisper Mode)
Contrast Ratio	800:1
Focus Distance	0.7-7.8m (wide), 1.5-15.7m (tele)
Display size	30" - 300"
Colour	8 bit/colour, 16.7 M colours

### COMPATIBILITY

Composite Video	NTSC, NTSC 4.43, PAL (-BGDHI), PAL60, PAL-M, PAL-N, SECAM
Component Video	SDTV: 525i(480i), 525p(480p), 625i(575i) HDTV: 750p(720p@60Hz), 1125i(1080i@50/60Hz), 1035i@60Hz
Computer	IBM Compatible VGA, SVGA, (Smart Resizing), UXGA Capability MAC13", MAC16" (Pixelworks Chip)
Plug & Play	DDC1/2B
Frequency Range	Vertical: 50-120 Hz Horizontal: 15-91 kHz

### FEATURES

Speakers	1W
Other	MENU: 15 Languages (English, German, French, Italian, Spanish, Dutch, Norwegian, Portuguese, Japanese, Simplified Chinese, Korean, Swedish, Russian, Finnish, Polish), Freeze Function, Magnifying, Digital Gamma Correction, My Memory, 3D Y/C separation, 2-3 pull down Electrical Vertical Keystone Correction, Auto Configuration (H-Size Position)

### CONNECTORS

Audio Input	RCA Jack x 2 for Video Input Stereo Mini Jack x 1 for Data Input
Video Input	RCA Jack x 1 S-Video Jack x 1 RCA Jack x 3 for Component
Control	9-pin D-sub x 1 for RS232 Control

### POWER

Power Supply	100-120V/220-240V autoswitching
--------------	---------------------------------

### PHYSICAL

Dimensions	350 x 121 x 285 mm (W x H x D)
Weight	3.6Kg
Noise Level	28dB, 25dB Whisper Mode

### SUPPLIED WITH

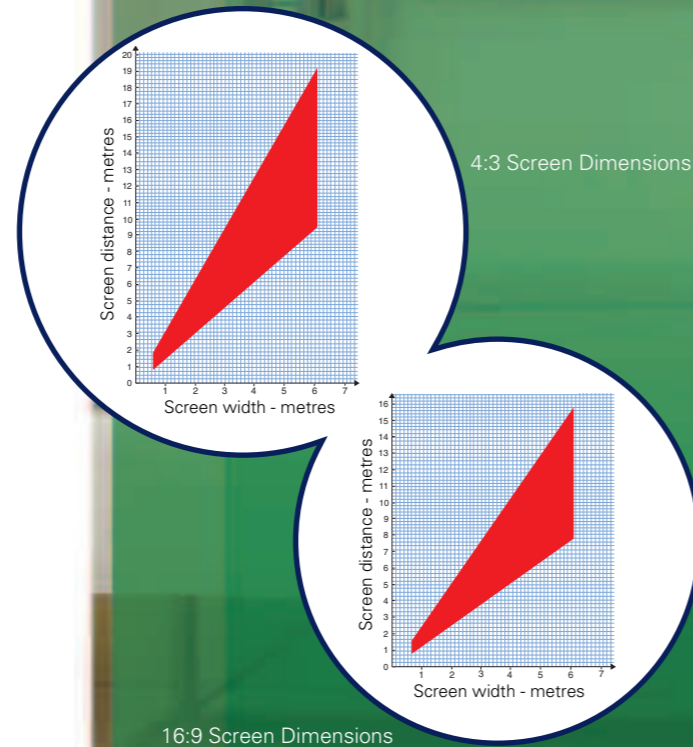
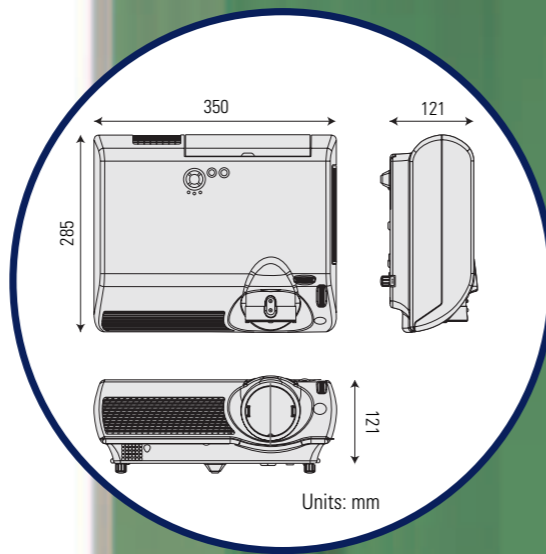
- Remote Control
- Safety Instructions
- Quick Guide
- Power Cord
- User Manual (English, German, French, Italian, Spanish, Dutch, Norwegian, Portuguese, Korean, Chinese)
- Batteries
- Video Cable (Video/Audio)

Image Size 4:3		Projection Distance PJ-TX10	
Diagonal	Width (m)	Min (m)	Max (m)
30" (0.76)	0.61	0.9	1.9
40" (1.02)	0.81	1.2	2.5
60" (1.52)	1.22	1.9	3.8
80" (2.03)	1.63	2.5	5.1
100" (2.54)	2.03	3.2	6.4
120" (3.05)	2.44	3.8	7.6
150" (3.81)	3.05	4.8	9.6
200" (5.08)	4.06	6.4	12.8
300" (7.62)	6.10	9.5	19.2

Image Size 16:9		Projection Distance PJ-TX10	
Diagonal	Width (m)	Min (m)	Max (m)
30" (0.76)	0.61	0.7	1.5
40" (1.02)	0.81	1.0	2.1
60" (1.52)	1.22	1.5	3.1
80" (2.03)	1.63	2.1	4.2
100" (2.54)	2.03	2.6	5.2
120" (3.05)	2.44	3.1	6.2
150" (3.81)	3.05	3.9	7.8
200" (5.08)	4.06	5.2	10.4
300" (7.62)	6.10	7.8	15.7

# HITACHI

## Inspire the Next



HITACHI DIGITAL MEDIA  
Hitachi Europe Ltd  
Whitebrook Park  
Lower Cookham Road  
Maidenhead  
Berkshire SL6 8YA  
Tel: 01628 585 000  
Fax: 01628 585 500  
www.hitachidigitalmedia.com

The specification above and photography is for reference only and may be subject to change.

www.hitachidigitalmedia.com

# HITACHI

## Inspire the Next

Big screen home entertainment  
P  
J  
-  
T  
X  
1  
0  
H  
I  
T  
A  
C  
H  
I  
D  
I  
G  
I  
T  
A  
L  
M  
E  
D  
I  
A

Hitachi's new PJ-TX10 projector will make you think again about the way you enjoy movies and television at home.

Easy to set up, with the ability to throw a perfect picture, even if you place the projector at the back of your room, the front or at the side, the PJ-TX10 enables anyone to create a perfectly-focused, cinema-style picture without any technical expertise – all due to the very wide range of the zoom lens and optical lens shift. And once you have set your perfect picture you can memorize the setting within the projector via the customised "user programmable memory" which remembers the ideal set up for your DVD, VCR or TV.

Connectivity is good too, with inputs for hooking up a DVD Player, satellite receiver, video game console, even a PC. And whatever you choose to watch on the PJ-TX10, you'll find it reveals hidden depths, delivering images with more detail, more clarity and more vibrancy than ever before.

Whether you want the experience of blockbuster films, video games, or simply the thrill of watching television on an epic scale, the Hitachi PJ-TX10 will open your mind to the thrill of large-screen home entertainment.

### PJ-TX10 features

- Portable Home Cinema LCD Projector
- Hitachi's optical lens shift system (vertical/horizontal)
- Super-quiet acoustic noise 25dB\*
- Extra wide zoom lens (2:1)
- 800:1 contrast ratio
- Projects a 100" picture at a distance of 2.5 – 5m
- User Programmable Memory
- Smoother, flicker-free pictures
- 3 Preset modes (Normal, Cinema and Dynamic)
- Versatile projection at any angle
- Remote control with luminous buttons
- Fully compatible with any home entertainment system

\* Whisper Mode

### Great picture

When you buy a video LCD projector, one thing counts above all others – the quality of the picture. In this respect, the PJ-TX10 is unrivalled...

#### 16:9 Panel

A true, 16:9 panel delivers an 854 x 480-pixel widescreen picture that's made for movie and TV widescreen presentations.

#### Motion Adaptive Progressive IC

Hitachi's unique Motion Adaptive Progressive integrated chip delivers 480-line, progressively scanned video images, which are smoother and more detailed than traditional interlaced video images. This ensures no visible scan lines and perfect pictures every time.

#### High, 800:1 Contrast Ratio

A high, 800:1 contrast ratio enables the PJ-TX10 to deliver images with unbelievable impact, retrieving and displaying the darkest shades of black and the brightest whites, for a stunning viewing experience.

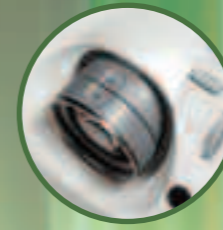
#### My Memory

The PJ-TX10 comes with four separate 'My Memory' picture settings, so you can set up the picture parameters, such as colour temperature, contrast and gamma, depending on whatever you chose to watch, such as sports, movies and animation, and save each for instant recall.

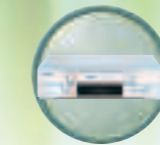


Large Screen Home Entertainment

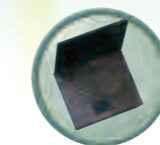
# Big screen home entertainment



Lens Shift System



Video Player



PC



Digital/DVD Camera



DVD-Player

## Easy to install

It might deliver great pictures, but how easy is it to install? As easy as it gets...

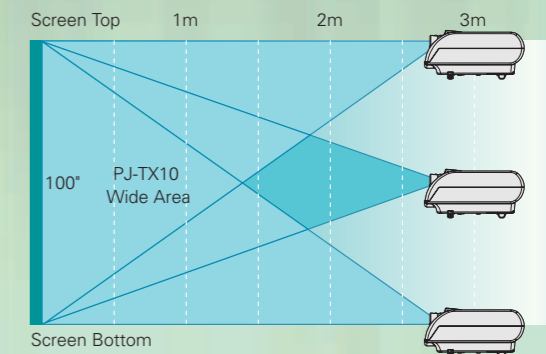
### Extra Wide Zoom Lens

Our 2:1 zoom lens, has the widest range of zoom of any projector. This offers greater positional flexibility, without sacrificing picture quality. It enables the image size to be controlled, without changing the physical position of the projector, and also enables the desired image size to be retained, even if the projector is moved. For a 60" image, for example, the projector can be positioned anywhere between 1.5m and 3m from the screen.

This extra-wide zoom lens comes into its own when you're trying to accommodate the projector within the main family living room.

### Vertical and Horizontal Lens Shift System

Perhaps you can't accommodate the projector sitting directly in front of the projector screen. No problem. With a 1.2m vertical and 0.9m horizontal lens shift capability, the PJ-TX10 can be positioned to the left or right of the screen, and even above or below the normal optimum position, and still throw a perfectly aligned image.



### Well Connected

With four inputs, the PJ-TX10 can display images from a variety of sources, including a DVD player, VCR, camcorder, satellite receiver, and even a PC. And if you have a progressive scan DVD player, connect up to the PJ-TX10's component inputs to make the most of the DVD player's progressive output.



### Remote Control

The PJ-TX10 comes with its own remote control, and is compatible with most universal remote controllers, so you can switch inputs and turn the projector on and off, without leaving your chair.

## Easy to use

So it delivers the goods and is easy to set up, but what about everyday use? You'll hardly know it's there...

### Quiet Operation

In Whisper Mode, the PJ-TX10 produces just 25dB of acoustic noise, quieter than any other projector in its class which means that when you're enjoying The Sound of Music, you won't be bothered by the sound of the projector.

### Front Exhaust Fan

Air is expelled from the front of the projector, so that's viewers, who will typically be seated either behind or to the side of the projector, won't be blasted by a current of hot air.

### Lights-out Use

The PJ-TX10's remote control comes with luminous buttons for lights-out use, and features controls for preset picture modes and 'My Memory' picture settings. Everything you need, in fact, to control the projector remotely.

