

# LSG Mark II Operations Manual



*Please Read Carefully Before Operating*

## Table of Contents

Page 1	Introduction
Page 2	Warning
Page 3	Technical Specifications
Page 5	LSGMK II High Pressure using 20lb Inverted Cylinders
Page 7	LSG MK II High Pressure using 50lb Cylinders
Page 9	LSG MK II Low Pressure using 350lb Liquid CO2 Tank
Page 11	LSG MK II High Power
Page 11	LSG MK II High Power Combo
Page 12	Low Pressure 350lb Liquid CO2 Tank
Page 13	Ducting
Page 14	10" Automatic Round Damper
Page 14	Flex to Rigid Adaptor
Page 14	Rigid Pipe Hose Adaptor
Page 15	Round Floor Pocket
Page 16	LSG MK II Ducting Suggestions
Page 17	Alternative Control Methods
Page 17	Recommended Fluids
Page 17	Maintenance
Page 18	Troubleshooting Residual Buildup & Wet Output
Page 20	Warranty
Page 21	Safety Precautions
Page 22	Nationwide Carbon Dioxide Distributors

## Introduction

### Water Base Fog Technology

Water Based Fog Technology is achieved by pumping a Glycol/ Processed Water mixture through a heat exchanger. The heat exchanger has been heated to the point where at the fog fluid mixture will vaporize.

The fluid's own vaporization forces the hot mixture through the output nozzle where, when mixed with ambient air, it forms an opaque aerosol (fog). The fog is made up of tiny droplets of glycol that form around the small particles in the air. The suspended droplets reflect the light, which is why fog will take on the colour of the light illuminating it.

### LSG Mark II Low Fog Technology

The patented LSG Mark II technology uses liquid CO<sub>2</sub> to cool the fog, generating a consistent effect at sub zero temperatures. This process enables you to produce large quantities of low lying fog on a continuous basis without cue time limitations or the messy water residue associated with other technologies. The LSG Mark II is compact and mobile facilitating most applications.

The unique partnering of a fog effect with liquid CO<sub>2</sub> is cost effective while providing a longer lasting effect. Designed to be utilized with the LSG Mark II, the Le Maitre Genuine Molecular Fog Fluid provides a dry, thick, white effect with a consistent dissipation that eliminates any ambient hazing. The "LSG Mark II" couples with the Le Maitre G300, offering the most advanced controls and fog output available. The LSG Mark II consumes approximately 8 lbs. of Liquid Carbon Dioxide per minute of operation at 350 PSI. At the typical variflow setting of 20 the G300 will consume approximately  $\frac{3}{4}$  of a gallon of fluid per hour constant.

The system can be controlled via the standard digital remote control, DMX or show control. The DMX LSG Mark II Interface allows the LSG Mark II & G300 to be controlled on separate DMX channels. Standard equipment includes 10" ducting sleeve to facilitate standard ducting in many configurations based on fog distribution requirements.

## Warning



**Important Safety Instructions:** Do not touch or place hands, expose skins, within 50 cm. of discharge nozzle.



**Important Safety Instructions:** Ensure sufficient air exchange vs CO2 released.



**Important Safety Instructions:** Do not remove the outer case until power has been disconnected from the machine.



**Important Safety Instructions:** Persons suffering from asthma or allergenic sensitivity may experience irritation, discomfort, or allergic symptoms when exposed to fog effects.



**Important Safety Instructions:** Ensure that this unit is grounded at all times. Failure to do so may result in serious injury.



**Important Safety Instructions:** Never use alternative fluids. Toxicity free output is your responsibility.

M.S.D.S. Available at [lemaitrefx.com](http://lemaitrefx.com).

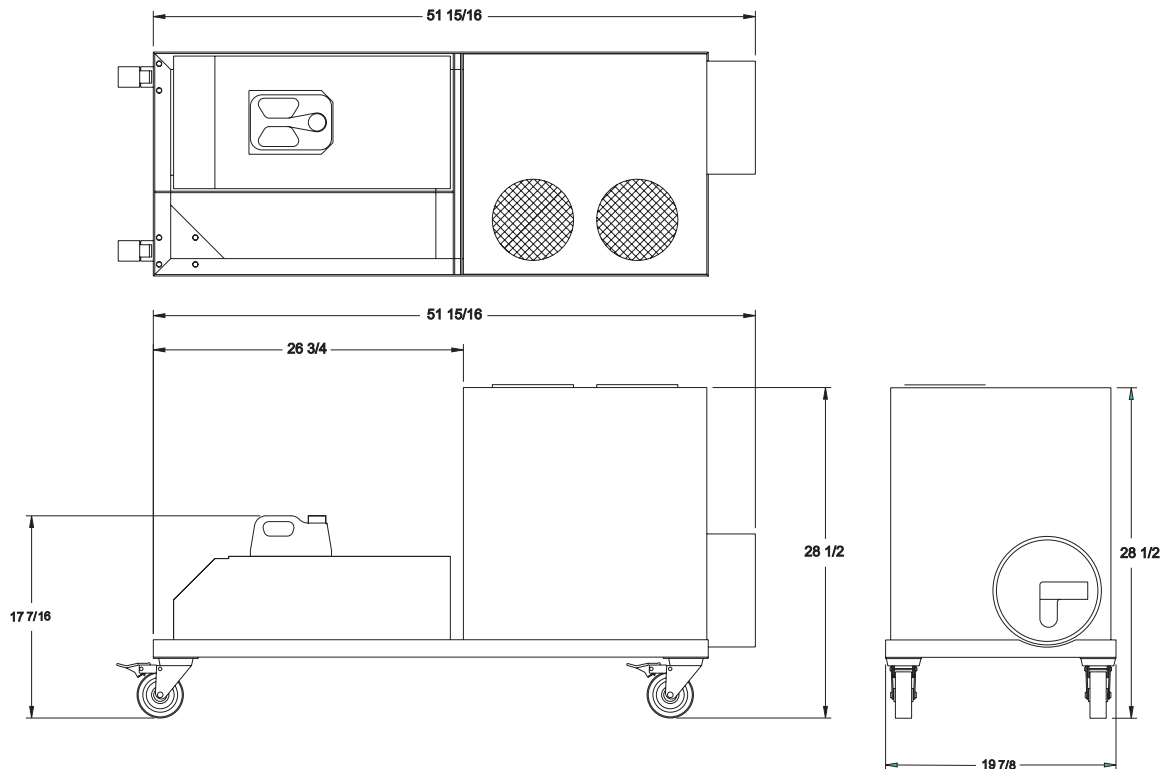
[lemaitrefx.com](http://lemaitrefx.com)

## Technical Specifications

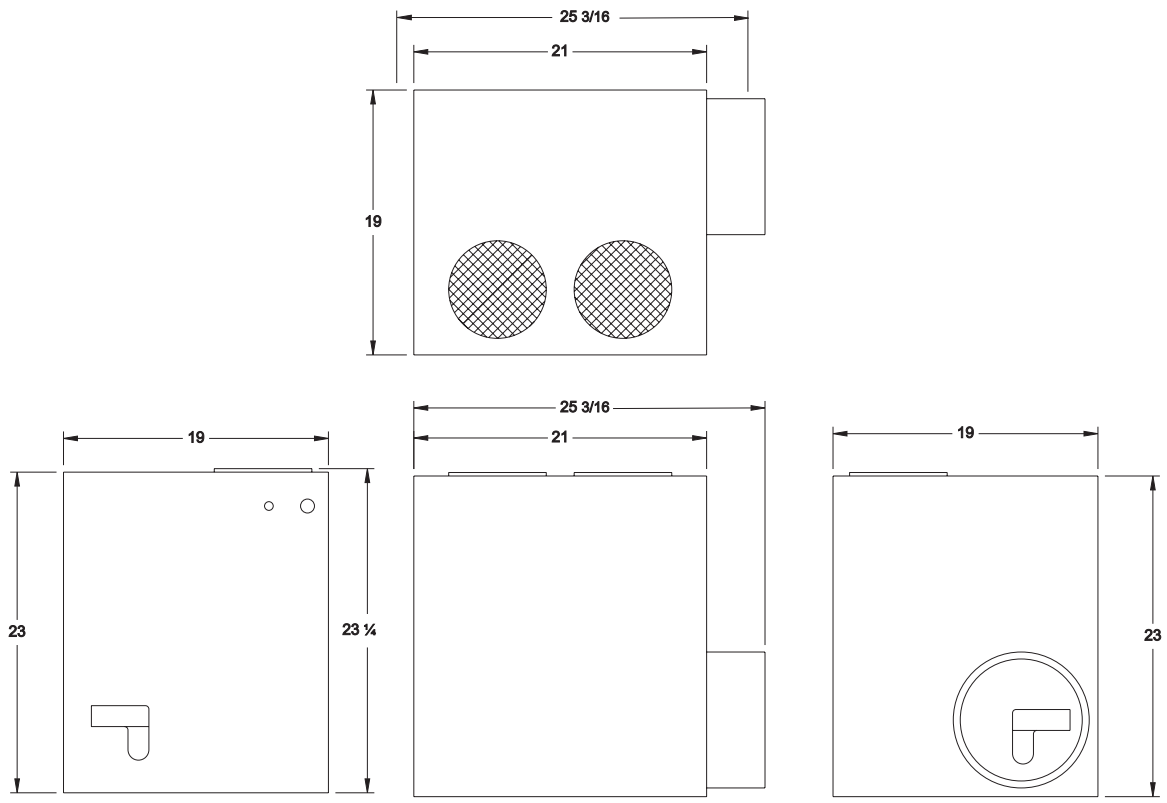
Model:	LSG Low Smoke Generator Low Pressure LSG Low Smoke Generator High Pressure LSG Low Smoke Generator High Power Combo
Type:	CO2 Operated Fog chilling unit , couples with Le Maitre G300 Water Base Fog Generator
Size:	See Illustrations that follow
Weight:	Installation version w/Cart: 100 lbs. less G300 Roadcase version: 150 lbs less G300
Power Rating:	110 Volt A.C. 50/60 Htz. 20 Amps (With G300 Fog Generator) 220 Volt A.C. 50/60 Htz. 10 Amps (With G300 Fog Generator)

## LSG Mark II Illustration

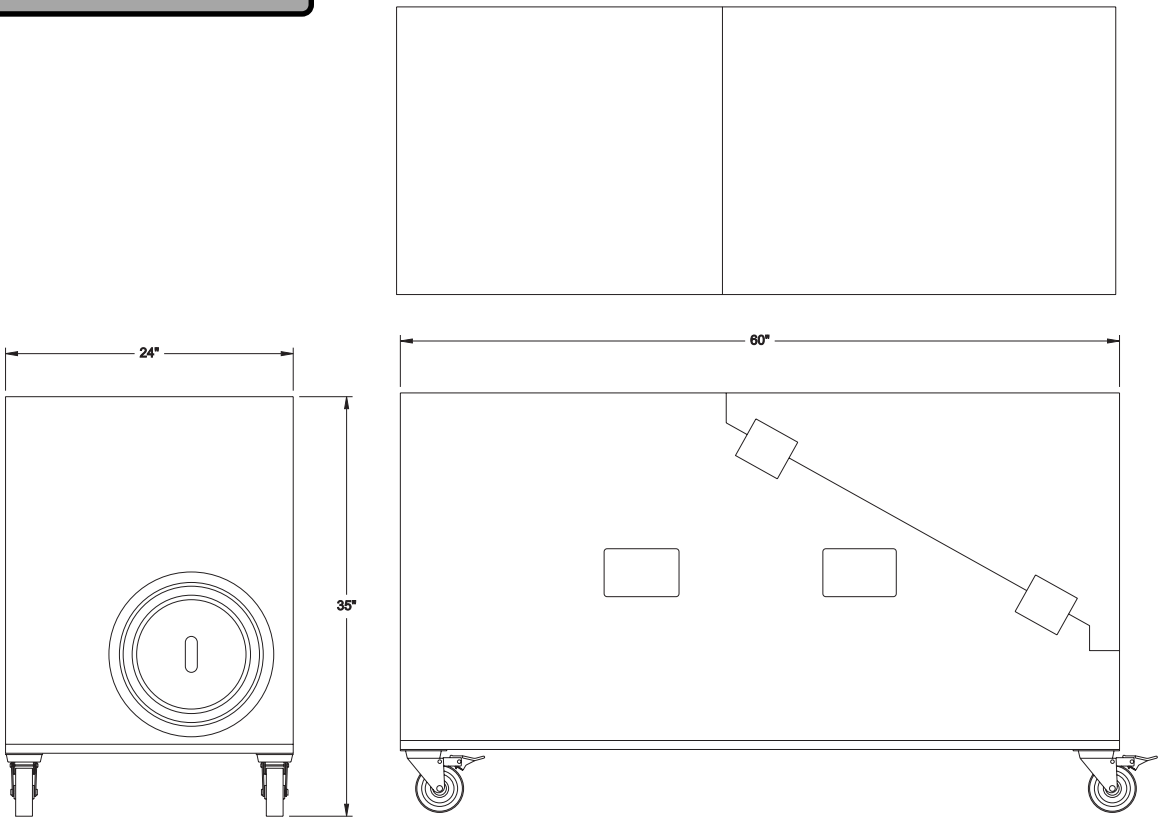
### With Cart



**Stand Alone**



**With Road Case**



## Operating Procedure LSG Mark II High Pressure using 20 lb. Inverted Cylinders

These instructions are given for systems using a G300 with LSG Control Option (Part # CLF 2777). Alternate control options are given further in this manual.

1.) Place the G300 output directly against the foam ring input of the LSG Mark II.

***Tech Tip:*** Proper alignment can be observed by shining a flashlight into the 10" exit of the LSG Mark II and noting the G300 output nozzle is centred in the LSG Mark II input.

2.) Connect the blue Twist lock connector from the LSG Mark II into Custom port on the rear panel of the G300.

3.) Power up the G300 by turning on the Mains switch.

***NOTE:*** Ensure that the G300 is in 'G' or Fog mode, which is indicated by a flashing 'G' in the 'Ready Flash' window of the remote display. To switch into 'G' Mode:

A. Ensure the power to the G300 is off.

B. Set the keyswitch to the 'G' mode position

C. Turn on Main power switch.

D. The display will change to read G300, and the machine continues in its start up procedure.

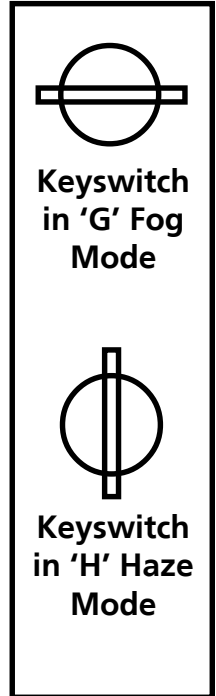
4.) Adjust remote Interval control dial fully clockwise, until 'DEL' appears on the display.

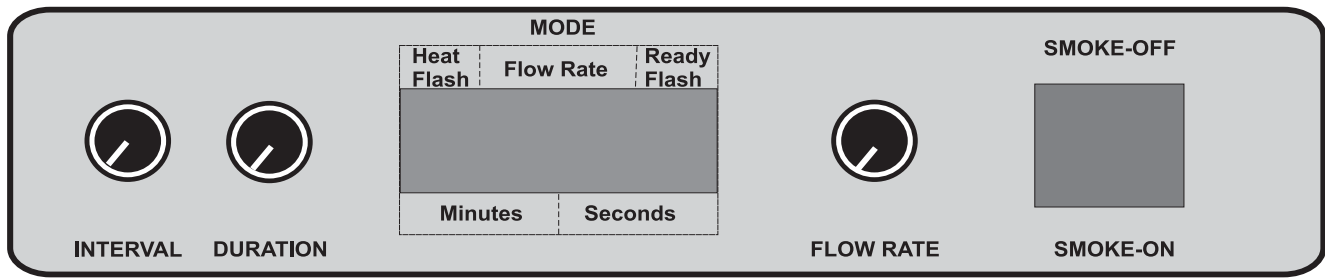
5.) Adjust remote Duration control dial, until desired delay is displayed, up to 30 seconds.

***NOTE:*** This delay allows the Liquid CO2 to purge the supply hose of CO2 gases ensuring only Liquid is available for optimum cooling. The recommended formula for calculating delay time is 1 sec. for every three feet of supply hose.

6.) Adjust the remote flow rate to desired fog output level. It is recommended to start at 16' and adjust accordingly. The maximum recommended flow for the LSG Mark II High is 20'.

7.) An LSG Mark II High requires high pressure CO2 bottles. These are normally available in 20 or 50 lb sizes. For ease of use it is recommended that bottles with liquid siphon tubes be used. If using 20 lb bottles without the siphon tube, simply invert the bottles and place them in the bottle rack on those high pressure models so equipped. (If mobile bottle racks are necessary, they may be ordered using Part # CLF 2951.)





### G300 Remote Interface

#### Warning

We do NOT recommend inverting the 50 lb. cylinders as they may pose a tipping hazard. Use 50 lb. cylinders equipped liquid siphon tubes.

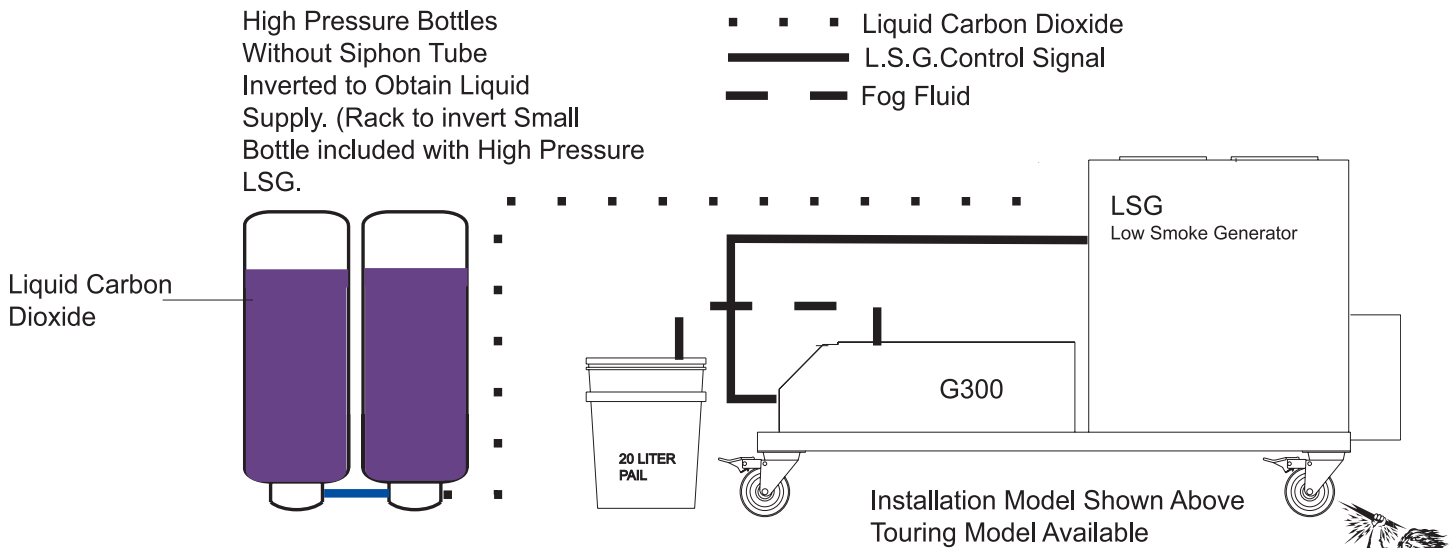
8.) The second connection to be made is the CO2 supply hose. This is connected to the liquid port of the CO2 supply. Connect two or more cylinders in a series fashion as illustrated below. A fibre washer is necessary to prevent leaks and are available from your gas supplier.

9.) Tighten the CO2 supply fitting snug with appropriate wrench .

10.) Open valve(s) fully, by turning counter-clockwise

11) When the G300 Fog machine is up to operating temperature, activate the 'Smoke' button on the remote control. The CO2 will be activated first. After the appropriate delay time passes smoke issue will start. You will know when the gas has been purged from the supply hose by the difference in noise that the LSG Mark II makes.

12.) Verify cool temperature output using your hand, by passing it through the fog output noting the temperature.





## Operating Procedure LSG Mark II High Pressure using 50 lb. Cylinders

These instructions are given for systems using a G300 with LSG Control Option (Part # CLF 2777). Alternate control options are given further in this manual.

1.) Place the G300 output directly against the foam ring input of the LSG Mark II.

***TECH TIP:*** Proper alignment can be observed by shining a flashlight into the 10" exit of the LSG Mark II and noting the G300 output nozzle is centered in the LSG Mark II input.

2.) Connect the blue Twist lock connector from the LSG Mark II into Custom port on the rear panel of the G300.

3.) Power up the G300 by turning on the Mains switch.

***NOTE:*** Ensure that the G300 is in 'G' or Fog mode, which is indicated by a flashing 'G' in the 'Ready Flash' window of the remote display. To switch into 'G' Mode:

A. Ensure the power to the G300 is off.

B. Set the keyswitch to the 'G' mode position

C. Turn on Main power switch.

D. The display will change to read G300, and the machine continues in its start up procedure.

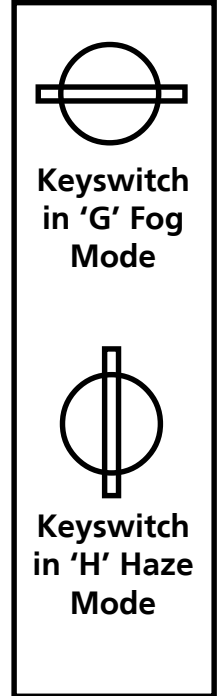
4.) Adjust remote Interval control dial fully clockwise, until 'DEL' appears on the display.

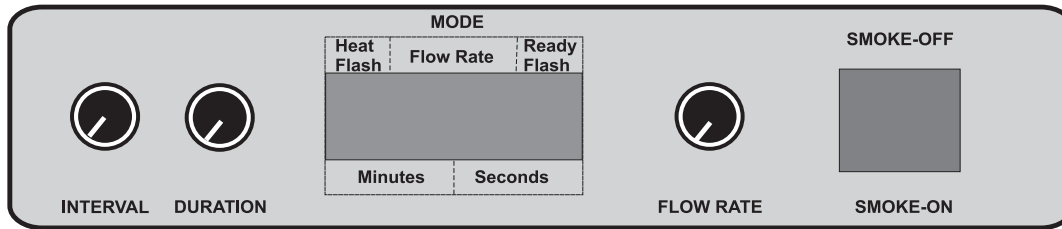
5.) Adjust remote Duration control dial, until desired delay is displayed, up to 30 seconds.

***NOTE:*** This delay allows the liquid CO2 to purge the supply hose of CO2 gases ensuring only Liquid is available for optimum cooling. The recommended formula for calculating delay time is 1 sec. for every three feet of supply hose.

6.) Adjust the remote flow rate to desired fog output level. It is recommended to start at 16' and adjust accordingly. The maximum recommended flow for the LSG Mark II High is 20'.

7.) An LSG Mark II High requires high pressure CO2 bottles. These are normally available in 20 or 50 lb sizes. For ease of use it is recommended that bottles with liquid siphon tubes be used.





**G300 Remote Interface**

**Warning**

We do **NOT** recommend inverting the 50 lb. cylinders as they may pose a tipping hazard. Use 50lb. cylinders equipped liquid siphon tubes.

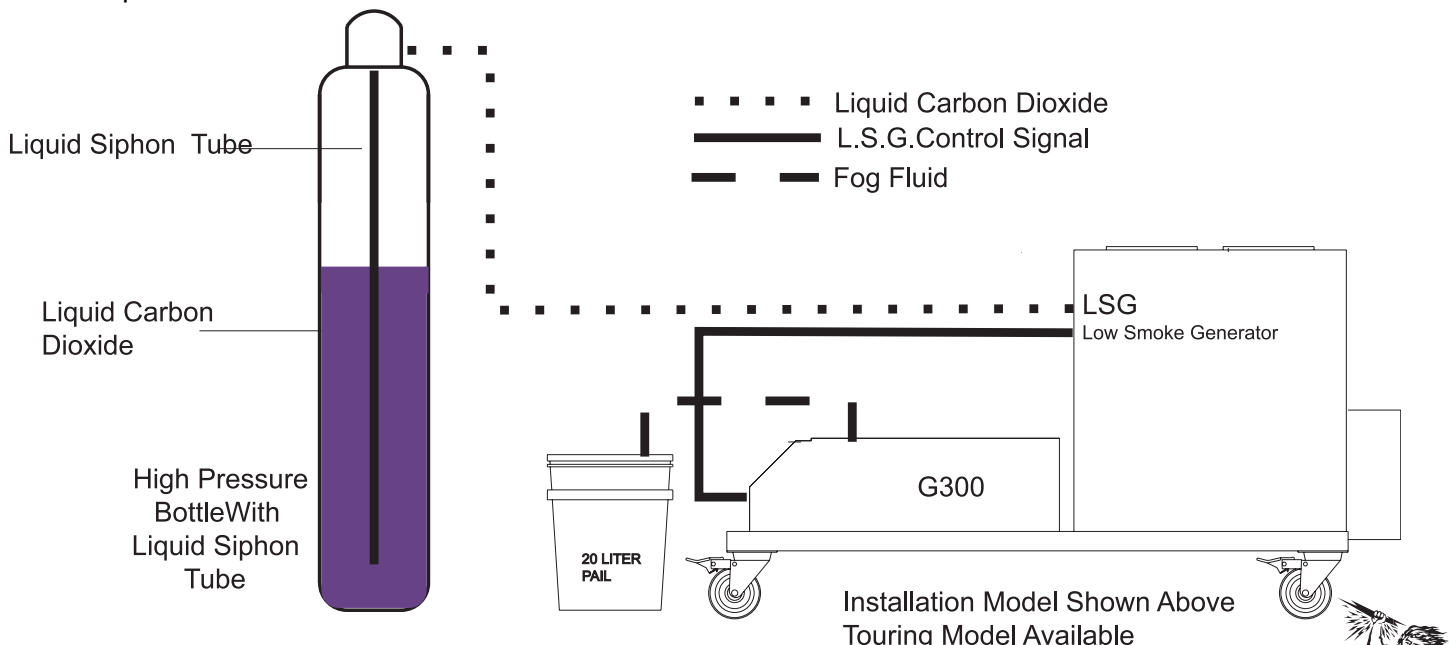
8.) The second connection to be made is the CO2 supply hose. This is connected to the liquid port of the CO2 supply. Connect two or more cylinders in a series fashion as illustrated below. A fibre washer is necessary to prevent leaks and are available from your gas supplier.

9.) Tighten the CO2 supply fitting snug with appropriate wrench .

10.) Open the **Liquid** valve(s) fully, by turning counter-clockwise.

11.) When the G300 Fog machine is up to operating temperature, activate the 'Smoke' button on the remote control. The CO2 will be activated first. After the appropriate delay time passes smoke issue will start. You will know when the gas has been purged from the supply hose by the difference in noise that the LSG Mark II makes.

12.) Verify cool temperature output using your hand, by passing it through the fog output noting the temperature.



Installation Model Shown Above  
Touring Model Available

## Operating Procedure

### LSG Mark II Low Pressure using 350 lb. Liquid CO2 Tank

These instructions are given for systems using a G300 with LSG Control Option (Part # **CLF 2777**). Alternate control options are given further in this manual.

1.) Place the G300 output directly against the foam ring input of the LSG Mark II.

***TECH TIP:*** Proper alignment can be observed by shining a flashlight into the 10" exit of the LSG Mark II and noting the G300 output nozzle is centered in the LSG Mark II input.

2.) Connect the blue Twist lock connector from the LSG Mark II into Custom port on the rear panel of the G300.

3.) Power up the G300 by turning on the Mains switch.

***NOTE:*** Ensure that the G300 is in 'G' or Fog mode, which is indicated by a flashing 'G' in the 'Ready Flash' window of the remote display. To switch into 'G' Mode:

A. Ensure the power to the G300 is off.

B. Set the keyswitch to the 'G' mode position

C. Turn on Main power switch.

D. The display will change to read G300, and the machine continues in its start up procedure.

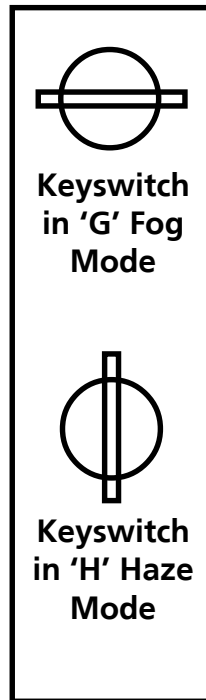
4.) Adjust remote Interval control dial fully clockwise, until 'DEL' appears on the display.

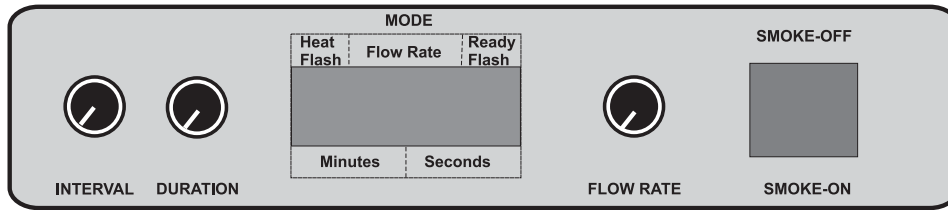
5.) Adjust remote Duration control dial, until desired delay is displayed, up to 30 seconds.

***NOTE:*** This delay allows the liquid CO2 to purge the supply hose of CO2 gases ensuring only liquid is available for optimum cooling. The recommended formula for calculating delay time is 1 sec. for every three feet of supply hose.

6.) Adjust the remote flow rate to desired fog output level. It is recommended to start at 16' and adjust accordingly. The maximum recommended flow for the LSG Mark II Low is 25'.

7.) An LSG Mark II Low requires a 350 lb. Low Pressure Liquid CO2 Tank. You must connect the supply hose to the Liquid output of the Liquid CO2 Tank. This is usually clearly indicated on the Liquid CO2 Tank outputs.





**G300 Remote Interface**

8.) The second connection to be made is the CO2 supply hose. This is connected to the liquid port of the CO2 supply.

A fibre washer is necessary to prevent leaks and are available from your gas supplier.

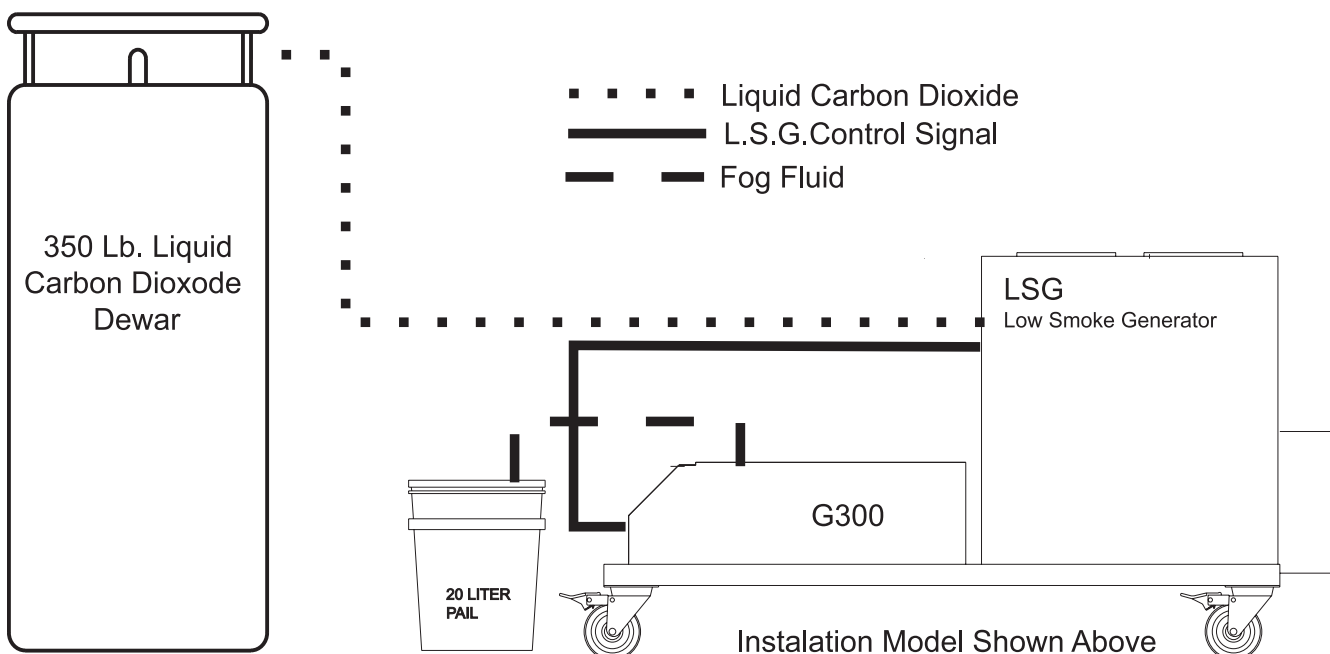
9.) Tighten the CO2 supply fitting snug with appropriate wrench .

10.) The Liquid CO2 Tank pressure as indicated on the pressure gauge must read between 300 - 340 psi to operate the LSG Mark II, this is achieved by opening the **pressure builder** valve at least one to three hours in advance of use by turning counter clockwise.

11.) Open **Liquid** valve(s) fully, by turning counter-clockwise

12.) When the G300 Fog machine is up to operating temperature, activate the 'Smoke' button on the remote control. The CO2 will be activated first. After the appropriate delay time passes smoke issue will start. You will know when the gas has been purged from the supply hose by the difference in noise that the LSG Mark II makes.

13.) Verify cool temperature output using your hand, by passing it through the fog output noting the temperature.



Installation Model Shown Above  
Touring Model Available

## Operating Procedure LSG MK II High Power (Low Pressure)

The LSG High Power features dual (low pressure) valve operation as well as variable fan speed. The valves can be operated independently for 50% flow, 100% flow or combined 50% boost (150%). Both fan speed and valve activation are controlled by either the handheld remote or the DMX Interface - both included.

**Remote:** 50% button controls - relay 1  
100% button controls - relay 2  
Fan Speed dial controls fan, from ccw = off to cw = full speed

**DMX Control:** Channel x controls Fan Speed < 25% = off  
Channel x + 1 controls 50% Flow (or relay 1)  
Channel x + 2 controls 100% Flow (or relay 2)

## Operating Procedure LSG MK II High Power Combo (Low Pressure High Power or High Pressure Standard)

The LSG MKII High Power Combo has the same features as the High Power, but also provides for the use of high pressure Liquid CO2 at standard output (non High Power).

**Remote:** 50% button  
100% button (Not used with High Pressure Liquid CO2)  
Fan Speed dial controls fan - Off (CCW) & On (CW)

**Note:** When used in a High Pressure Liquid CO2 in Standard Mode, only use the 50% button. The High Pressure Liquid CO2 will cause the 100% valve to freeze.

**DMX Control:** Control x controls Fans Speed < 25% = Off  
Channel x + 1 controls 50% Flow, used with High Pressure Liquid CO2  
Channel x + 2 100% Flow, **NOT** used with High Pressure Liquid CO2

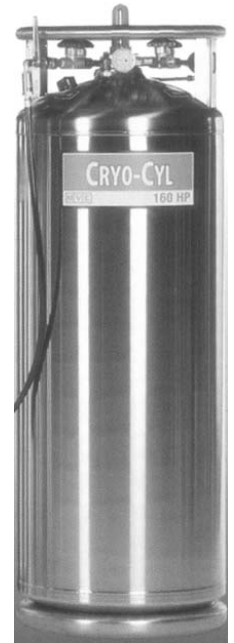
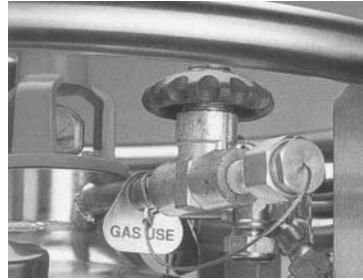
**Note:** When using the LSG High Power, the fog machine delay (as discussed on page ??) is controlled either manually via remotes or via DMX. When fog and/ or CO2 are activated, the LSG fan speed should be at least 25% to prevent backflow.

## Low Pressure 350 Lb. Liquid CO2 Tank

The LSG Mark II Low Pressure uses CO2 Cylinders similar to the one pictured to the right. These are available from the local welding supply centre, or look in the Yellow Pages under "Carbonics", and are sometimes referred to as "Dewars". Typically there are three valve handles, a pressure gauge, and a CO2 level indicator located on the top of the Liquid CO2 Tank. These valves handles should be labelled as Gas/Vent, Liquid, and Pressure Builder. We will cover each of these below.

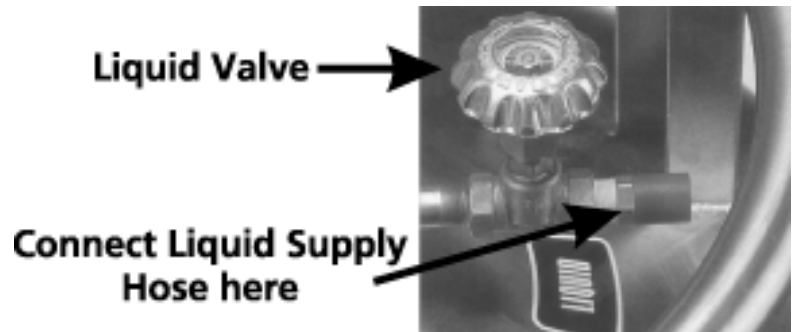
### Gas/Vent

This is used if a CO2 gas supply is utilized. As we only use the liquid supply to operate the LSG Mark II, this valve is not opened.



### Liquid

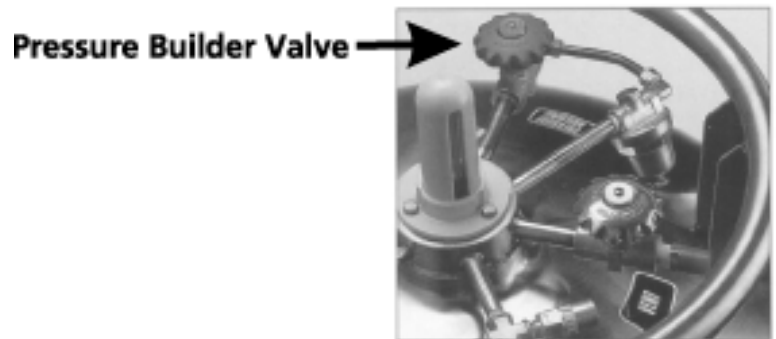
This is the source of our liquid supply of CO2. The LSG Mark II CO2 supply hose is threaded onto the valve outlet, being sure to use the appropriate sealing washer, and tighten to eliminate any leaks. When ready to operate the LSG Mark II, open the Liquid valve fully by turning counter clockwise.



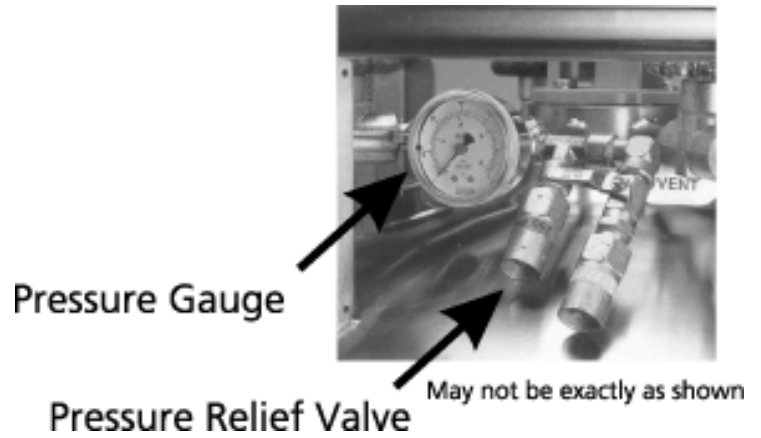
### Pressure Builder

The pressure builder is a very important component in achieving the proper LSG Mark II operating pressure. We can monitor this operating pressure by observing the pressure gauge located on the top of the Liquid CO2 Tank.

Ideally the operating pressure of the Liquid CO2 Tank is 310 - 330 p.s.i.g. This is achieved by opening the pressure builder valve prior to operating the LSG Mark II.



***TECH TIP:*** Building the pressure to the proper level may take up to an hour, so it is suggested that the Pressure Builder valve be fully opened one to three hours before use.



***NOTE:*** The Liquid CO2 Tank is equipped with a pressure relief valve that is fixed to open at 350 p.s.i.g. The pressure relief valve is in place to ensure the internal Liquid CO2 Tank pressure does not exceed 350 p.s.i.g. As you approach the ideal operating pressure the relief valve may open slightly and release CO2 gas. Although this is sometimes noisy this is no cause for alarm, simply close the pressure builder valve by turning clockwise.

## Ducting

If ducting is required the LSG Mark II output requires a 10" flexible duct, and can be ducted up to 50 feet horizontally. The ducting is available insulated or non-insulated and can be purchased through an industrial supply company, or from Le Maitre (Part # CLF ).

The LSG Mark II may also be ducted vertically up to 20 feet, to produce a waterfall or cascade effect. When ducting fog vertically, the remaining fog in the duct must not be allowed to backflow into the LSG Mark II. When this happens repeatedly the glycol in the fog may condensate on the inside of the G300, damaging the electronic components. See further in this manual for suggested solutions and ducting examples.

***TECH TIP:*** If dividing the output to more than one location while ducting, make sure the sum of all cross sectional areas of the final duct sizes is equivalent or greater than the cross sectional area of the LSG Mark II 10" outlet. Doing this will prevent any backpressure being created by the LSG Mark II.

The formula for cross sectional area:  $0.78539 \times (\text{diameter squared})$

***Example:***

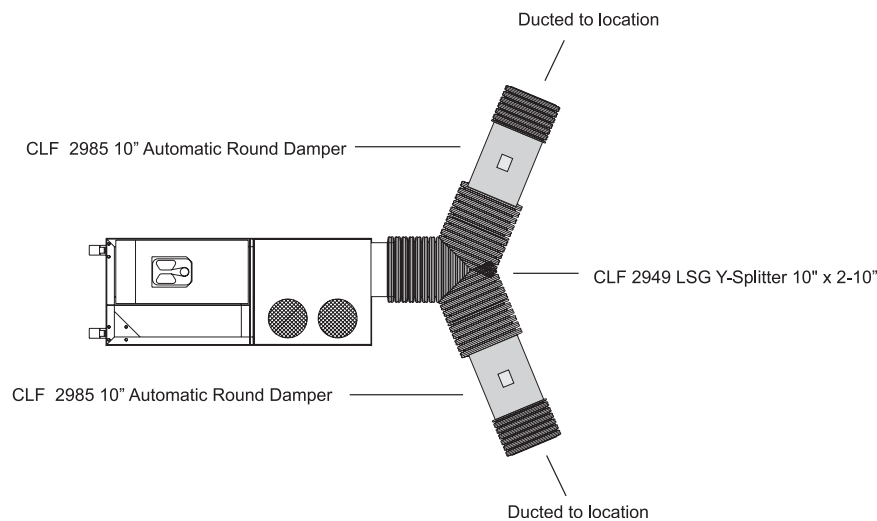
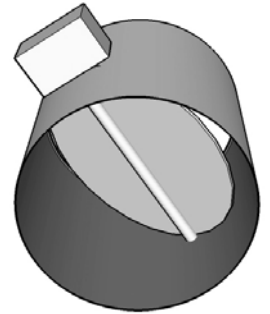
The LSG Mark II outlet has a diameter of 10":  $0.78539 \times 100 = 78.5$  " square inches is the area of the LSG Mark II outlet.

If you require 3 locations to duct the effect to, then the cross sectional area of the 3 ducts must be greater than 78.5" square inches. For this example, we will try a 6" diameter duct:  $0.78539 \times 36 = 28$ . If we multiply the cross sectional area of the 6" duct by 3 duct outlets :  $28 \times 3 = 84$ ".

84 is greater than 78.5 so the 6" ducting split into 3 ducts is acceptable. Some form of dampering may have to be used to balance the output of different sized outputs.

## 10" Automatic Round Damper

The 10" Automatic Round Damper (ARD) is an inline damper that will open or close to allow or prevent fog from flowing down a run of 10" ducting. When using with a 'Y' connector as illustrated, fog may be diverted down either or both branches of ducting. The unit operated using 110 VAC and may be field set to open or close upon receiving power. Two leads are provided for power connection. The ARD is constructed of galvanized steel and fits inside 10" rigid pipe and held with sheet metal screws or inside a 10" flex pipe and held with a worm gear clamp. DMX control can be obtained by using a DMX relay control like the CLF 2944 LSG DMX Interface 110 Volt. The ARD may also be used as a cost effective back flow prevention device.



## Flex to Rigid Adaptor

The CLF 9033 10" Adaptor (Flex Hose to Rigid) is used when a connection between flex hose and rigid pipe is needed.

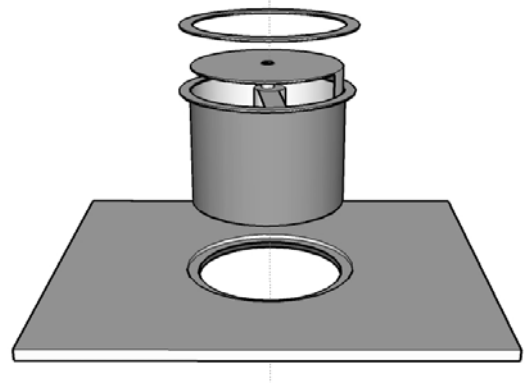
## Rigid Pipe Hose Adaptor

CLF 2957 LSG MKII Rigid Pipe Hose Adaptor is used with the LSG Touring Road Case model and extends the LSG fog output to outside the road case where pipe connections can be made easier.



## Round Floor Pocket

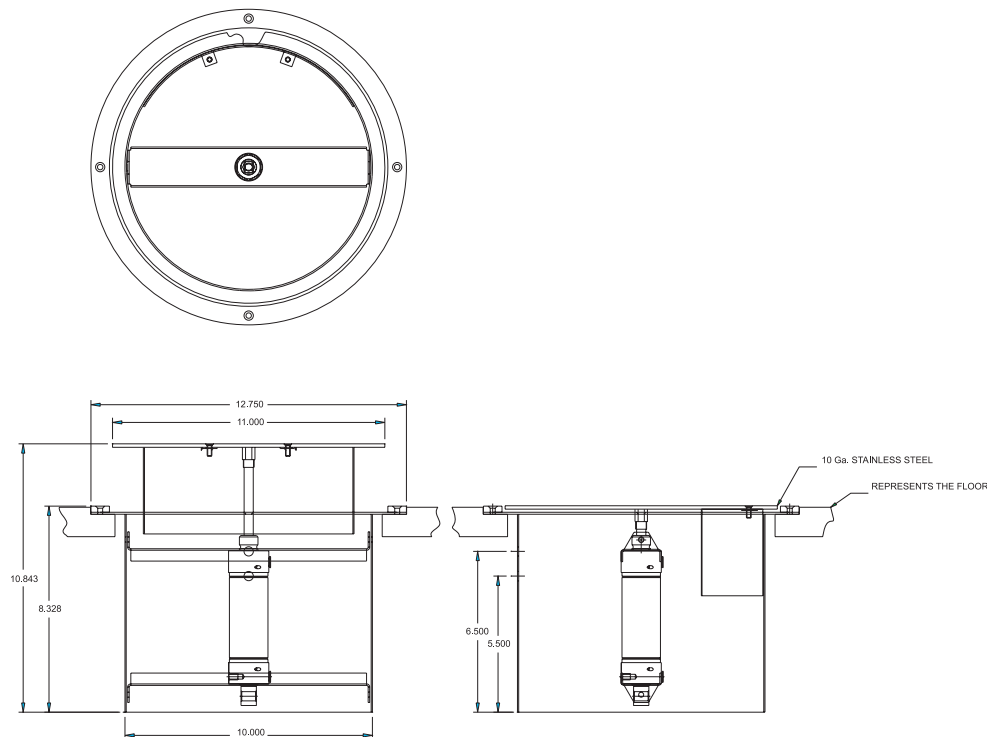
The Round Floor Pocket is designed to be flush mounted into the stage floor and is pneumatically operated and electrically controlled. The Floor Pocket connects to either our 10" Rigid or 10" Flex Hose. DMX control can be obtained by using a DMX relay control like the CLF 2944 LSG DMX Interface (110 Volt). The Floor Pocket may be mounted as shown in the illustration.



- 1.) Layout a **10 3/4"** diameter and a **12 3/4"** diameter hole on the same centers onto the stage floor.
- 2.) Cut a through hole into the stage on the **10 3/4"** diameter markings.
- 3.) Route away approximately a 5/16" recess in the remaining **12 3/4"** diameter layout for the recess.
- 4.) Insert the floor pocket into the hole cut into stage noting the orientation of the fog deflector (if being used).
- 5.) Mount the Flush Mount Ring over the Floor Pocket while aligning screw holes and fasten using screws provided.

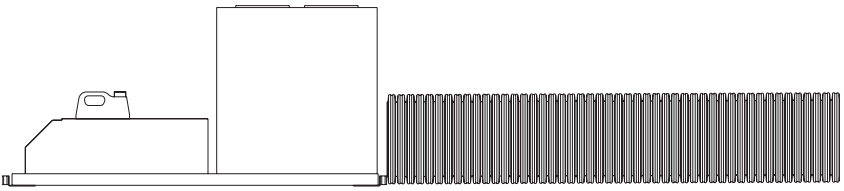
The Floor Pocket uses very little compressed air or gas to operate, a **1/4"** diameter air supply may be attached to the Floor Pocket feed hose using the supplied Push Lock connector.

The Floor Pocket operates on 110 vac and opens when power is applied and closes when power is removed.



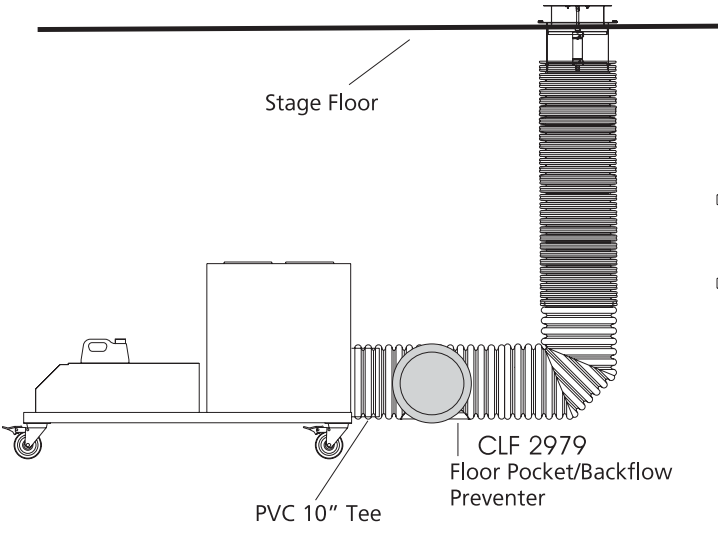
# LSG Mark II Ducting Suggestions

## Horizontal Ducting

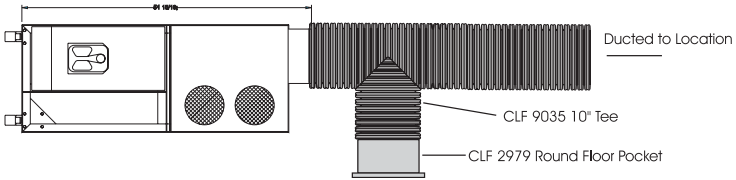


No Backflow Prevention Necessary

## LSG Mark II with Stage FloorPocket

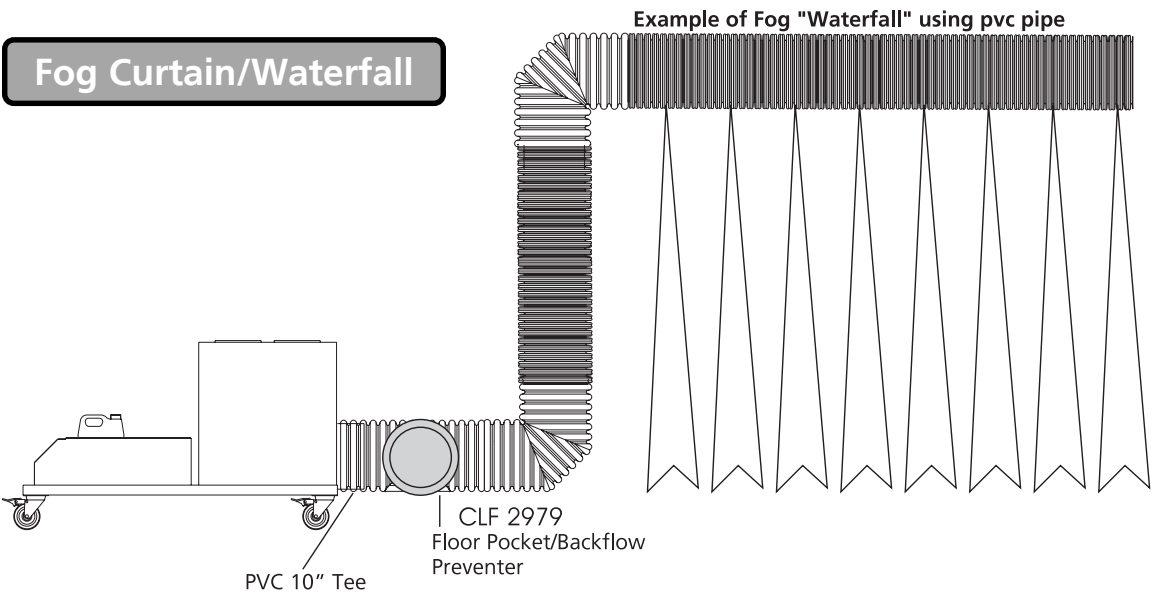


Side View



Top View

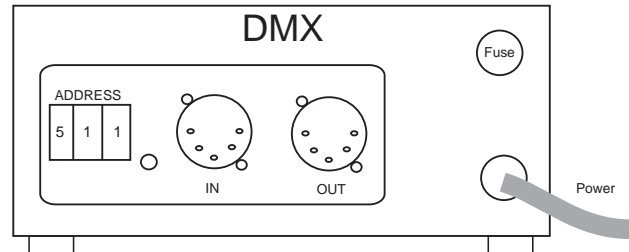
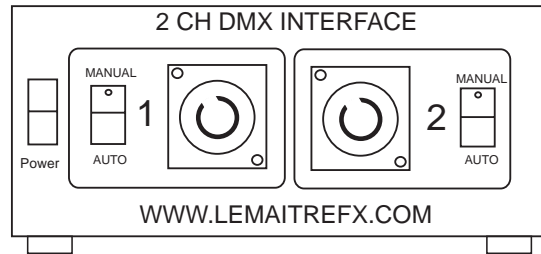
## Fog Curtain/Waterfall



Example of Fog "Waterfall" using pvc pipe

## Alternative Control Methods

If you are controlling your G300 by DMX 512, then it will be necessary to control the LSG Mark II with DMX 512. This can be achieved by using the DMX/LSG Interface Module (Part # CLF 2944). The DMX Data In and Data Out are 5 pin XLR style connectors to conform to the DMX 512 Protocol. Addressing is done by DIP switch using binary values.



LSG / DMX Interface Part # CLF  
2944

## Recommended Fluids

### Molecular:

The Molecular Fluid was originally designed for use in the LSX and LSG, however, many other applications were found very quickly. It is a clean, white, thick fog, practically odourless and dissipates as it begins to warm.

## Maintenance

### Exterior

The exterior of the LSG Mark II requires only mild soap and water to clean.

### Interior

The only interior maintenance required for the LSG Mark II is that the hose end of the Liquid Carbon Dioxide supply line be kept clean and free of debris. When not in use keep the supply line hose end capped or covered to prevent debris from entering and insects from nesting inside the line.

## Troubleshooting Residual Buildup & Wet Output

The following list of items may cause wet output or residue to form.

- 1.) Low CO2 Pressure, less than 275 p.s.i.g. Check to ensure the Pressure Builder Valve is turned on and the pressure is over 300 p.s.i.g. before use. Monitor the pressure through the cue to see if the pressure does not drop below 275p.s.i.g.. If it does residue will begin to form.
- 2.) With the use of Mini Dewars this some times becomes a problem. Many Gas filling Stations do not correctly fill the Mini Liquid CO2 Tank and may cause them not to perform as well as large Dewars. This can be overcome by adding a High Pressure 20 pound cylinder or going to full size Dewars.
- 3.) The LSG Mark II is not connected to the Liquid side of the Liquid CO2 Tank. You must always use the Liquid CO2 from the Liquid CO2 Tank NOT the Vapour.
- 4.) If using ducting the duct may have a kink or some kind of obstruction in it.
- 5.) Fog machines nozzles are not straight out of the machine. These must be straight to ensure the fog can fully expand. Visually check the copper tubes at the G300 output to ensure the fog is exiting the output. If they are not, use a pair of pliers and adjust. (Be careful as they may be extremely HOT)
- 6.) Fog Machine is not lined up with the entry hole. This is where the G300 meets the LSG Mark II. If this does not meet direct and straight the fog can not expand fully. Take a flashlight and shine it through the 10" opening of the LSG Mark II and look through to the input to see if it is lined up properly.
- 7.) The G300 is not processing the fog properly. Remove the machine from the LSG Mark II, turn on the G300 and place your hand in the fog stream 24" away from the front of the machine. Your hand should be dry. You will feel a slight warming but do not confuse this for moisture. If the machine is not performing properly, your hand will be very wet. The G300 should be serviced to rectify the problem.
- 8.) Too much fog is being pushed through the LSG Mark II. On the High Pressure LSG Mark II we would recommend less than a 20 Flow Rate setting on the G300 remote on the Low Pressure LSG Mark II we would recommend Less than a 25 Flow Rate setting on the G300 remote.
- 9.) Wrong Fluid is being used. Le Maitre Special Effects Molecular should be the only fluid used. Longer lasting fogs can cause this but again it is not observed often. If another manufacturer's fluid is used this will definitely cause this type of problem.

10) The fresh air or the air inlets on the LSG Mark II are obstructed. This happens some time when things get moved around or items are placed on top of the LSG Mark II and drape over the inlet holes. Or the unit is placed too close to a wall or another piece of equipment. It can also happen if the LSG Mark II is installed in a very small room and no make up air is allowed to enter causing a vacuum within the room. This is also very rare but possible.

11) The LSG Mark II Valve is defective or damaged and is not allowing enough Liquid CO2 into the LSG Mark II.

12) The LSG Mark II is damaged and is not getting good air flow.

13) The internal air expanding unit is damaged or has come dislodged from it's mounting device.

If you are experiencing a residue problem, and the above checklist has failed to solve the problem, please call Le Maitre Special Effects for assistance in rectifying the problem.

## Warranty

- Warranty:** All warranty is one year parts and labour unless specified and is on manufacturer defect only. Overuse or poor maintenance is not accepted. Le Maitre fluids must always be used. Any trace of other fluids will automatically void ALL warranties. Accept no substitutions as there are no exceptions to this rule. Proof of purchase or proof of sale must always accompany any warranty returns. An RA (return authorization) number must be noted on the outside of any box returned to our facilities. Any packages without a clearly marked RA number will not be accepted by our receiving department. Freight on warranty items are freight prepaid to our facility and we will prepay freight back to your facility after repair, by the most economical means available. Should you require the item express-returned, then you are responsible for any difference in freight cost.
- Return Policy:** Return of any product must be done within 30 days of purchase. The package must be returned freight prepaid and the RA number clearly marked on the outside of the box. A restocking charge of up to 25% may be levied. Only credits are issued to the dealers account. Any product not returned within 30 days is considered purchased.
- Warning:** Le Maitre Special Effects Inc. considers all it's product to be safe for use in the application it was intended. Le Maitre Special Effects takes no responsibility for misuse or incorrect use. Always refer to equipment owners manual for proper use.

## Safety Precautions

1. Ensure that operation of the machine is supervised by suitably trained and authorised personnel.
2. Do not modify the machine or use a machine which has been damaged in any way.
3. Allow sufficient air circulation around the machine at all times.
4. Protect the G300 from direct weather effects and wet locations.
5. Only use fluids recommended by the Manufacturer.
6. Do not continue to produce Fog output in an enclosed area when visibility is reduced below 50cm.
7. Avoid direct Fog output continuously at persons, structure or objects within close proximity of the discharge nozzle.
8. Ensure sufficient air exchange vs. co2 released.
9. Do not place hands, or exposed skin within the first 50 cm of the discharge nozzle at any time during fog production.

## Notes

## Nationwide Carbon Dioxide Distributors

### Praxair

Canada 800-876-7729

USA 800-772-9247

### Air Liquide

Canada 514-933-0303

USA 800-820-2522